

# Installation Manual

## Installation and Appliance Setup

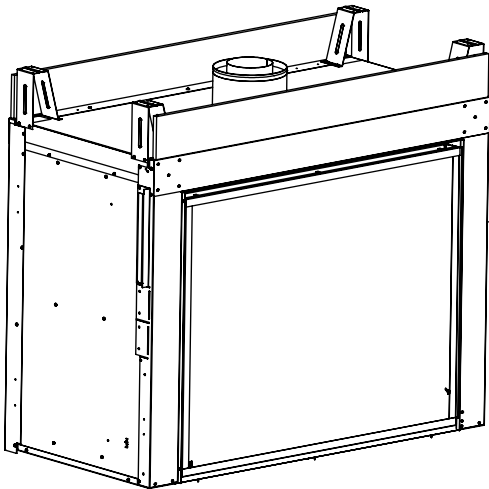
**INSTALLER:** Leave this manual with party responsible for use and operation.  
**OWNER:** Retain this manual for future reference.

**NOTICE: DO NOT** discard this manual!

**FORTRESS  
SERIES**

outdoor  
**lifestyles**  
by hearth & home technologies®

**Models: ODFORTG-36**



This appliance may be installed as an OEM installation in manufactured home (USA only) or mobile home and must be installed in accordance with the manufacturer's instructions and the *Manufactured Home Construction and Safety Standard, Title 24 CFR, Part 3280* in the United States, or the *Standard for Installation in Mobile Homes, CAN/CSA Z240 MH Series*, in Canada.

This appliance is only for use with the type(s) of gas indicated on the rating plate. This appliance is not convertible for use with other gases, unless a certified kit is used.

In the Commonwealth of Massachusetts installation must be performed by a licensed plumber or gas fitter.  
See Table of Contents for location of additional Commonwealth of Massachusetts requirements.

**▲ WARNING:**  
**FIRE OR EXPLOSION HAZARD**  
Failure to follow safety warnings exactly could result in serious injury, death, or property damage.

- **DO NOT** store or use gasoline or other flammable vapors and liquids in the vicinity of this or any other appliance.
- **What to do if you smell gas**
  - **DO NOT** try to light any appliance.
  - **DO NOT** touch any electrical switch. **DO NOT** use any phone in your building.
  - Leave the building immediately.
  - Immediately call your gas supplier from a neighbor's phone. Follow the gas supplier's instructions.
  - If you cannot reach your gas supplier, call the fire department.
- Installation and service must be performed by a qualified installer, service agency, or the gas supplier.

**! DANGER**



**HOT GLASS WILL  
CAUSE BURNS.**

**DO NOT TOUCH GLASS  
UNTIL COOLED.**

**NEVER ALLOW CHILDREN  
TO TOUCH GLASS.**

A barrier designed to reduce the risk of burns from the hot viewing glass is provided with this appliance and must be installed for the protection of children and other at-risk individuals.

## ▲ Safety Alert Key:

- **DANGER!** Indicates a hazardous situation which, if not avoided will result in death or serious injury.
- **WARNING!** Indicates a hazardous situation which, if not avoided could result in death or serious injury.
- **CAUTION!** Indicates a hazardous situation which, if not avoided, could result in minor or moderate injury.
- **NOTICE:** Used to address practices not related to personal injury.

## Table of Contents

Installation Standard Work Checklist . . . . .	3
--	---

### 1 Product Specific and Important Safety Information

A. Appliance Certification . . . . .	4
B. Glass Specifications . . . . .	4
C. BTU Specifications . . . . .	4
D. High Altitude Installations . . . . .	4
E. Non-Combustible Materials Specification . . . . .	4
F. Combustible Materials Specification . . . . .	4
G. Electrical Codes . . . . .	4
H. Requirements for the Commonwealth of Massachusetts . . . . .	5

### 2 Getting Started

A. Design and Installation Considerations . . . . .	6
B. Good Faith Wall Surface/TV Guidelines . . . . .	6
C. Tools and Supplies Needed . . . . .	6
D. Inspect Appliance and Components . . . . .	7

### 3 Framing and Clearances

A. Appliance/Decorative Front Dimension/Weight Diagrams . . . . .	8
B. Clearances to Combustibles . . . . .	9
C. Mantel Combustibles . . . . .	9
D. Constructing the Appliance Chase . . . . .	12
E. Hearth Extension . . . . .	13

### 4 Termination Location and Vent Information

A. Vent Termination Minimum Clearances . . . . .	14
B. Chimney Diagram . . . . .	15
C. Approved Pipe . . . . .	16
D. Use of Elbows . . . . .	17
E. Measuring Standards . . . . .	18
F. Vent Diagrams . . . . .	18

### 5 Venting Installation

A. Installation Precautions . . . . .	19
B. Installation Planning . . . . .	20
C. Installation Instructions . . . . .	20

### 6 Appliance Preparation

A. Removing Non-combustible Facing Material Assembly . . . . .	27
B. Securing and Leveling the Appliance . . . . .	27
C. Installation Instructions for Outdoor Side . . . . .	28

### 7 Venting and Chimneys

A. Assemble Vent Sections . . . . .	29
B. Assemble Slip Sections . . . . .	30
C. Secure the Vent Sections . . . . .	30
D. Disassemble Vent Sections . . . . .	31
E. Vertical Termination Requirements . . . . .	31
F. Horizontal Termination Requirements . . . . .	33

### 8 Electrical Information

A. General Information . . . . .	34
B. Wiring Requirements . . . . .	35

### ► 9 Gas Information

A. Fuel Conversion . . . . .	36
B. Gas Pressure . . . . .	36
C. Gas Connection and Gas Line Purging . . . . .	36
D. High Altitude Installations . . . . .	36

### 10 Finishing - Final Installation

A. Facing Material . . . . .	37
B. Log Placement Instructions . . . . .	43

### 11 Reference Materials

A. Vent Components Diagrams . . . . .	46
B. Accessories . . . . .	53

➔ = Contains updated information.

# Installation Standard Work Checklist


## ATTENTION INSTALLER: Follow this Standard Work Checklist

This standard work checklist is to be used by the installer in conjunction with, not instead of, the instructions contained in this installation manual.

**Customer:** \_\_\_\_\_  
**Lot/Address:** \_\_\_\_\_  
 \_\_\_\_\_

**Date Installed:** \_\_\_\_\_  
**Location of Fireplace:** \_\_\_\_\_  
**Installer:** \_\_\_\_\_  
**Dealer/Distributor Phone #** \_\_\_\_\_  
**Serial #:** \_\_\_\_\_

**Model (circle one):** ODFORTG-36

 **WARNING! Risk of Fire or Explosion!** Failure to install appliance according to these instructions can lead to a fire or explosion.

### Appliance Install Information

	YES	IF NO, WHY?
Verified clearances to combustibles requirements are maintained. (Pg. 9-10)	<input type="checkbox"/>	_____
Verified that the chase is insulated and sealed. (Pg. 9)	<input type="checkbox"/>	_____
Verified mantel and wall clearance requirements are maintained. (Pg. 9)	<input type="checkbox"/>	_____
Verified hearth extension requirements are maintained. (Pg. 11)	<input type="checkbox"/>	_____
Verified appliance is leveled and secured. (Pg. 25)	<input type="checkbox"/>	_____

### Venting/Chimney Section 7 (Pg. 26-30)

Verified venting configuration complies to vent diagrams.	<input type="checkbox"/>	_____
Verified venting installed, locked and sealed/secured in place.	<input type="checkbox"/>	_____
Verified venting meets clearance to combustible requirements.	<input type="checkbox"/>	_____
Verified wall/ceiling firestops are installed (if applicable).	<input type="checkbox"/>	_____
Verified attic insulation shield is installed (if applicable).	<input type="checkbox"/>	_____
Verified Exterior wall/Roof flashing is installed and sealed.	<input type="checkbox"/>	_____
Verified termination cap is installed and sealed.	<input type="checkbox"/>	_____

### Electrical Section 8 (Pg. 31-32)

Verified unswitched power (110-120 VAC) provided to the appliance.	<input type="checkbox"/>	_____
Verified wall switch wires are properly installed (if applicable).	<input type="checkbox"/>	_____

### Gas Section 9 (Pg. 33)

Verified appliance is using proper fuel type.	<input type="checkbox"/>	_____
If converted, verified proper fuel conversion kit was used.	<input type="checkbox"/>	_____
Verified that gas components (fittings, pressure taps, etc) are leak free and fireplace is operating under correct pressures.	<input type="checkbox"/>	_____

### Finishing Section 10 (Pg. 34-40)

Verified that finish material does not interfere with install/operation of decorative front.	<input type="checkbox"/>	_____
Verified combustible materials are not installed in non-combustible areas.	<input type="checkbox"/>	_____
Verified all clearances meet installation manual requirements.	<input type="checkbox"/>	_____
Verified mantels/wall projections comply with installation manual requirements.	<input type="checkbox"/>	_____
Verified all packaging and protective materials are removed (inside & outside of appliance).	<input type="checkbox"/>	_____
Verified Glowing Embers and logs installed correctly.	<input type="checkbox"/>	_____
Verified fixed glass assembly installed and secured.	<input type="checkbox"/>	_____
Verified remote control has been programmed and is fully functional.	<input type="checkbox"/>	_____
Verified proper air shutter setting for installation type and vent configuration.	<input type="checkbox"/>	_____
Manual bag and all of its contents are removed from inside/under the appliance and given to party responsible for use and operation.	<input type="checkbox"/>	_____

### **Hearth & Home Technologies recommends the following:**

- Photographing the installation and copying this checklist for your file.
- That this checklist remain visible at all times on the appliance until the installation is complete.

**Comments:** Further description of the issues, who is responsible (Installer/ Builder/ Other Trades, etc) and corrective action needed \_\_\_\_\_

Comments Communicated to party responsible \_\_\_\_\_ by \_\_\_\_\_ on \_\_\_\_\_  
 (Builder / Gen. Contractor/) (Installer) (Date)

➔ = Contains updated information.

4602-902 12/16

# 1 Product Specific and Important Safety Information


## A. Appliance Certification

**MODELS:** ODFORTG-36  
**LABORATORY:** CSA  
**TYPE:** Vented Gas Fireplace Heater  
**STANDARD:** CSA/ANSI-Z21.88:19 • CSA 2.33:19

This product is listed to ANSI standards for “Vented Gas Fireplace Heaters” and applicable sections of “Gas Burning Heating Appliances for Manufactured Homes and Recreational Vehicles”, and “Gas Fired Appliances for Use at High Altitudes”.

**NOTICE:** This installation must conform with local codes. In the absence of local codes you must comply with the National Fuel Gas Code, ANSI Z223.1-latest edition in the U.S.A. and the CAN/CGA B149 Installation Codes in Canada.

**NOT INTENDED FOR USE AS A PRIMARY HEAT SOURCE.**  
This appliance is tested and approved as either supplemental room heat or as a decorative appliance. It should not be factored as primary heat in residential heating calculations.

 **WARNING:** This product and the fuels used to operate this product (liquid propane or natural gas), and the products of combustion of such fuels, can expose you to chemicals including benzene, which is known to the State of California to cause cancer and reproductive harm. For more information go to: [www.P65Warnings.ca.gov](http://www.P65Warnings.ca.gov).

## B. Glass Specifications

This appliance is equipped with ceramic glass that is used on the inside glass door frames attached to the firebox. Replace glass only with ceramic glass. The outdoor glass in the black frame screwed to the Stainless Steel frame is tempered glass. Replace with tempered glass. Please contact your dealer for replacement glass.

## C. BTU Specifications

Models (U.S. or Canada)		Maximum Input BTU/h	Minimum Input BTU/h	Middle Orifice Size (DMS)	Outer Orifice Size (DMS)
ODFORTG-36 (NG)	US (0-4500FT)	56,000	38,000	#31	#46
ODFORTG-36 (LP)	US (0-4500 FT)	56,000	44,000	#50	#56

## D. High Altitude Installations

**NOTICE:** If the heating value of the gas has been reduced, these rules do not apply. Check with your local gas utility or authorities having jurisdiction.

When installing above 2000 feet elevation:

- In the USA: Reduce input rate 4% for each 1000 feet above 2000 feet.
- In CANADA: Input ratings are certified without a reduction of input rate for elevations up to 4500 feet (1370 m) above sea level. Please consult provincial and/or local authorities having jurisdiction for installations at elevations above 4500 feet (1370 m).

Check with your local gas utility to determine proper orifice size.

## E. Non-Combustible Materials Specification

Material which will not ignite and burn. Such materials are those consisting entirely of steel, iron, brick, tile, concrete, slate, glass or plasters, or any combination thereof.

Materials that are reported as passing **ASTM E 136, Standard Test Method for Behavior of Materials in a Vertical Tube Furnace at 750 °C** shall be considered non-combustible materials.

## F. Combustible Materials Specification

Materials made of or surfaced with wood, compressed paper, plant fibers, plastics, or other material that can ignite and burn, whether flame proofed or not, or plastered or unplastered shall be considered combustible materials.

## G. Electrical Codes

**NOTICE:** This appliance must be electrically wired and grounded in accordance with local codes or, in the absence of local codes, with **National Electric Code ANSI/NFPA 70-latest edition or the Canadian Electric Code CSA C22.1.**

- A 110-120 VAC circuit for this product must be protected with ground-fault circuit-interrupter protection, in compliance with the applicable electrical codes, when it is installed in locations such as in bathrooms or near sinks.

**Note:** The following requirements reference various Massachusetts and national codes not contained in this document.

## H. Requirements for the Commonwealth of Massachusetts

For all side wall horizontally vented gas fueled equipment installed in every dwelling, building or structure used in whole or in part for residential purposes, including those owned or operated by the Commonwealth and where the side wall exhaust vent termination is less than seven (7) feet above finished grade in the area of the venting, including but not limited to decks and porches, the following requirements shall be satisfied:

### Installation of Carbon Monoxide Detectors

At the time of installation of the side wall horizontal vented gas fueled equipment, the installing plumber or gas fitter shall observe that a hard wired carbon monoxide detector with an alarm and battery back-up is installed on the floor level where the gas equipment is to be installed. In addition, the installing plumber or gas fitter shall observe that a battery operated or hard wired carbon monoxide detector with an alarm is installed on each additional level of the dwelling, building or structure served by the side wall horizontal vented gas fueled equipment. It shall be the responsibility of the property owner to secure the services of qualified licensed professionals for the installation of hard wired carbon monoxide detectors.

In the event that the side wall horizontally vented gas fueled equipment is installed in a crawl space or an attic, the hard wired carbon monoxide detector with alarm and battery back-up may be installed on the next adjacent floor level.

In the event that the requirements of this subdivision can not be met at the time of completion of installation, the owner shall have a period of thirty (30) days to comply with the above requirements; provided, however, that during said thirty (30) day period, a battery operated carbon monoxide detector with an alarm shall be installed.

### Approved Carbon Monoxide Detectors

Each carbon monoxide detector as required in accordance with the above provisions shall comply with NFPA 720 and be ANSI/UL 2034 listed and IAS certified.

### Signage

A metal or plastic identification plate shall be permanently mounted to the exterior of the building at a minimum height of eight (8) feet above grade directly in line with the exhaust vent terminal for the horizontally vented gas fueled heating appliance or equipment. The sign shall read, in print size no less than one-half (1/2) in. in size, "**GAS VENT DIRECTLY BELOW. KEEP CLEAR OF ALL OBSTRUCTIONS**".

## Inspection

The state or local gas inspector of the side wall horizontally vented gas fueled equipment shall not approve the installation unless, upon inspection, the inspector observes carbon monoxide detectors and signage installed in accordance with the provisions of 248 CMR 5.08(2)(a)1 through 4.

## Exemptions

The following equipment is exempt from 248 CMR 5.08(2)(a)1 through 4:

- The equipment listed in Chapter 10 entitled "Equipment Not Required To Be Vented" in the most current edition of NFPA 54 as adopted by the Board; and
- Product Approved side wall horizontally vented gas fueled equipment installed in a room or structure separate from the dwelling, building or structure used in whole or in part for residential purposes.

## MANUFACTURER REQUIREMENTS

### Gas Equipment Venting System Provided

When the manufacturer of Product Approved side wall horizontally vented gas equipment provides a venting system design or venting system components with the equipment, the instructions provided by the manufacturer for installation of the equipment and the venting system shall include:

- Detailed instructions for the installation of the venting system design or the venting system components; and
- A complete parts list for the venting system design or venting system.

### Gas Equipment Venting System **NOT** Provided

When the manufacturer of a Product Approved side wall horizontally vented gas fueled equipment does not provide the parts for venting the flue gases, but identifies "special venting systems", the following requirements shall be satisfied by the manufacturer:

- The referenced "special venting system" instructions shall be included with the appliance or equipment installation instructions; and
- The "special venting systems" shall be Product Approved by the Board, and the instructions for that system shall include a parts list and detailed installation instructions.

A copy of all installation instructions for all Product Approved side wall horizontally vented gas fueled equipment, all venting instructions, all parts lists for venting instructions, and/or all venting design instructions shall remain with the appliance or equipment at the completion of the installation.

**See Gas Connection section for additional Commonwealth of Massachusetts requirements.**

## 2 Getting Started

### A. Design and Installation Considerations

Outdoor Lifestyles direct vent gas appliances are designed to operate with all combustion air siphoned from outside of the building and all exhaust gases expelled to the outside. No additional outside air source is required.

Installation **MUST** comply with local, regional, state and national codes and regulations. Consult insurance carrier, local building inspector, fire officials or authorities having jurisdiction over restrictions, installation inspection and permits.

**Before** installing, determine the following:

- Where the appliance is to be installed.
- The vent system configuration to be used.
- Gas supply piping requirements.
- Electrical wiring requirements.
- Framing and finishing details.
- Whether optional accessories—devices such as a wall switch or remote control—are desired.

Installation and service of this appliance should be performed by qualified personnel. Hearth & Home Technologies recommends HHT Factory Trained or NFI certified professionals.



Improper installation, adjustment, alteration, service or maintenance can cause injury or property damage. For assistance or additional information, consult a qualified service technician, service agency or your dealer.

### B. Good Faith Wall Surface/TV Guidelines

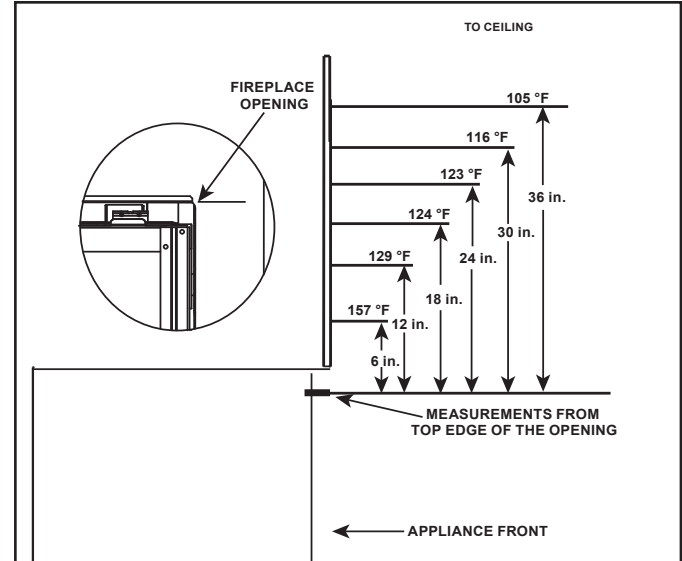


Figure 2.1 Good Faith Wall Surface Temperatures Above Appliance

**NOTICE:** Temperatures listed above are taken with a temperature measuring probe as prescribed by the test standard used for appliance certification. Temperatures on walls or mantels taken with an infrared thermometer may yield increased temperatures of up to 30 degrees or more depending on the thermometer settings and material characteristics being measured.

### C. Tools and Supplies Needed

Before beginning the installation be sure that the following tools and building supplies are available.

Tape measure	Framing material
Pliers	Hammer
Phillips screwdriver	Manometer
Gloves	Framing square
Voltmeter	Electric drill and bits (1/4 in.)
Plumb line	Safety glasses
Level	Reciprocating saw

Flat blade screwdriver

Non-corrosive leak check solution

1/2 - 3/4 in. length, #6 or #8 Self-drilling screws

Caulking material (300 °F minimum continuous exposure rating)

One 1/4 in. female connection (for optional fan).

## D. Inspect Appliance and Components

- Carefully remove the appliance and components from the packaging.
- The vent system components may be shipped in separate packages.
- If packaged separately, the log set and appliance grate must be installed.
- Report to your dealer any parts damaged in shipment, particularly the condition of the glass.
- **Read all of the instructions before starting the installation. Follow these instructions carefully during the installation to ensure maximum safety and benefit.**

**WARNING! Risk of Fire or Explosion!** Damaged parts could impair safe operation. **DO NOT** install damaged, incomplete or substitute components. Keep appliance dry.

Hearth & Home Technologies disclaims any responsibility for, and the warranty will be voided by, the following actions:

- Installation and use of any damaged appliance or vent system component.
- Modification of the appliance or vent system.
- Installation other than as instructed by Hearth & Home Technologies.
- Improper positioning of the gas logs or the glass door.
- Installation and/or use of any component part not approved by Hearth & Home Technologies.

**Any such action may cause a fire hazard.**

**WARNING! Risk of Fire, Explosion or Electric Shock!** **DO NOT** use this appliance if any part has been under water. Call a qualified service technician to inspect the appliance and to replace any part of the control system and/or gas control which has been under water.

# 3 Framing and Clearances

## A. Appliance/Decorative Front Dimension/Weight Diagrams

Dimensions are actual appliance dimensions. Use for reference only. For framing dimensions and clearances refer to Section 5.

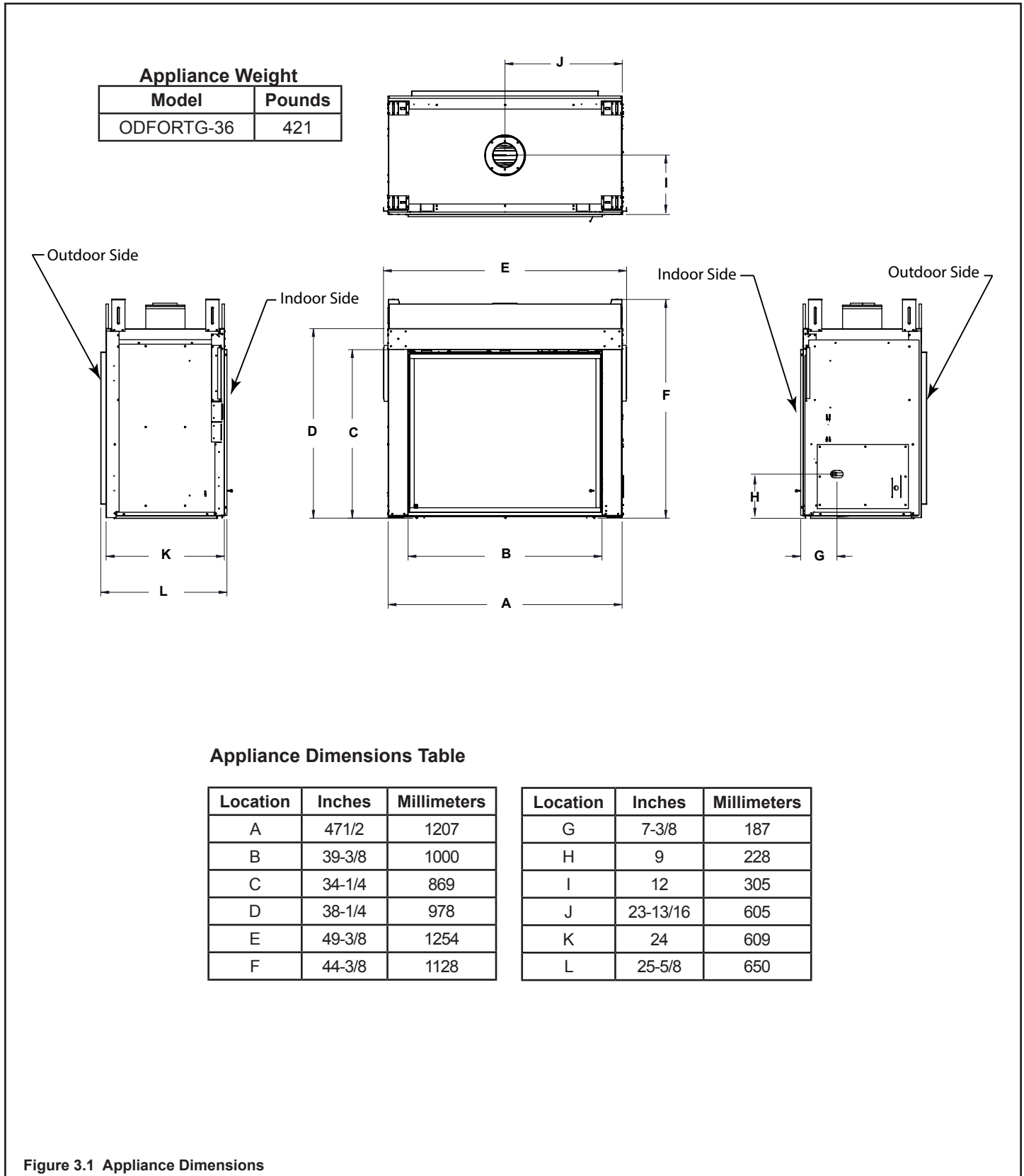


Figure 3.1 Appliance Dimensions

## B. Clearances to Combustibles

**⚠ WARNING**

**Fire Risk.**  
 Follow these instructions carefully to ensure safe installation. Failure to follow instructions exactly can create a fire hazard.

The appliance cannot be installed on a carpet, tile or other combustible material other than wood flooring. If installed on carpet or vinyl flooring, the appliance shall be installed on a metal, wood or noncombustible material panel extending full width and depth of the appliance.

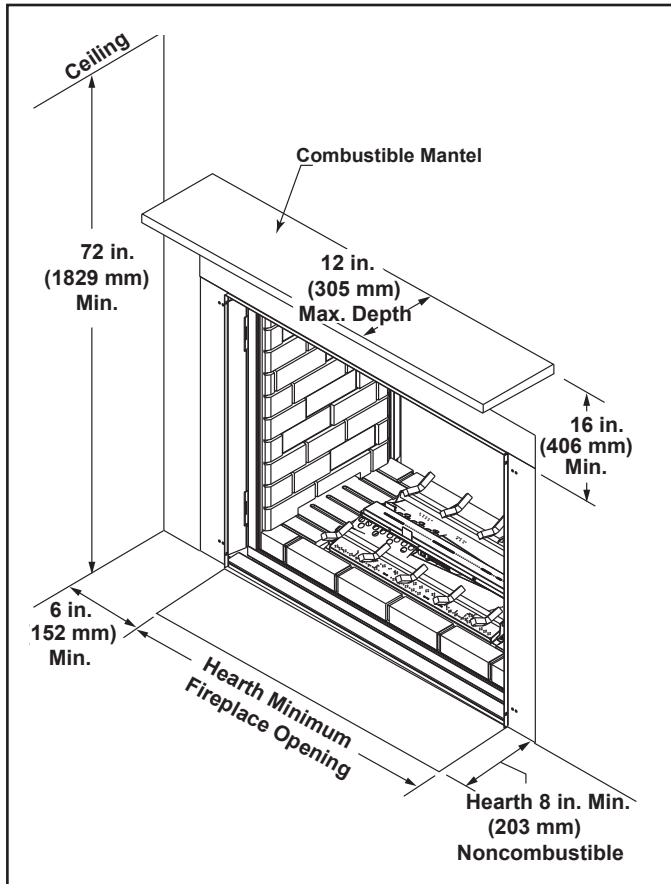


Figure 3.2. Ceiling and Side Wall Clearance

## C. Mantel Combustibles.

**NOTE:** The combustible area above the facing must not protrude more than 1/2" from the facing. If it does, it is considered a mantel and must meet the mantel requirements listed in this manual.

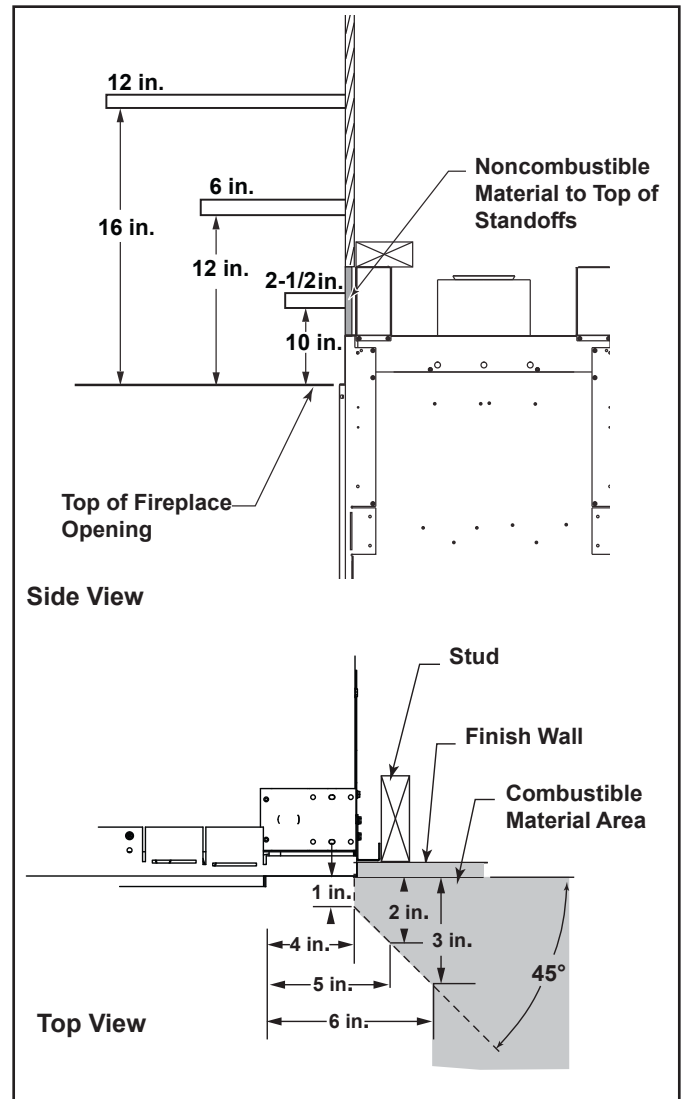


Figure 3.3. Mantel Clearance Indoor Side (Combustible Mantel)

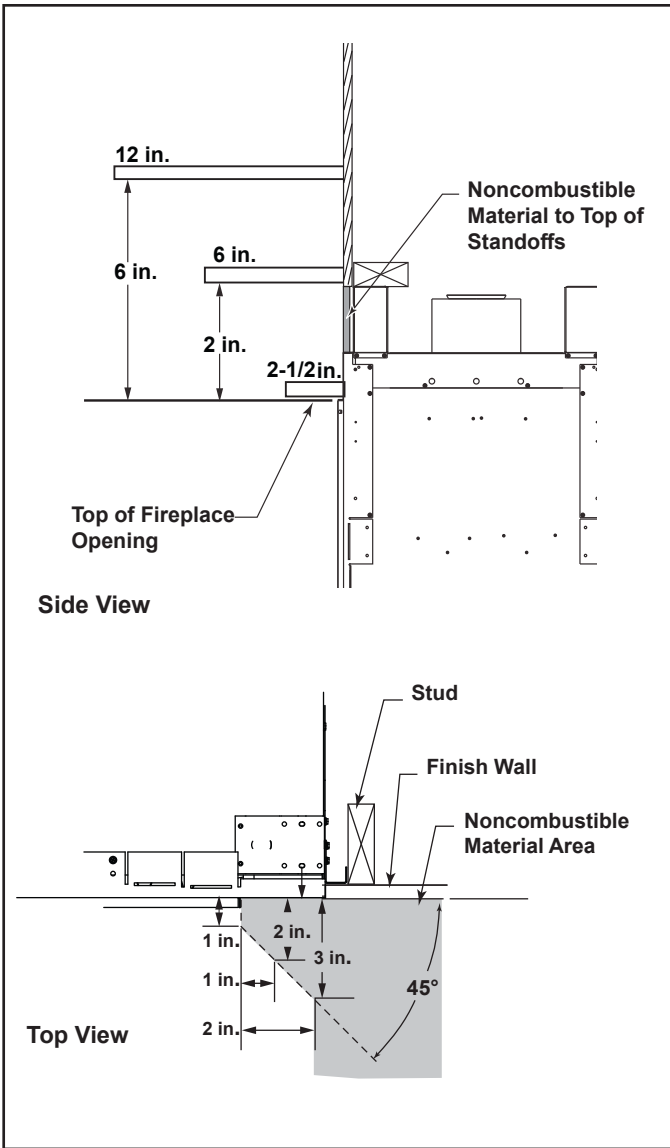


Figure 3.4. Mantel Clearance Indoor Side (Noncombustible Mantel)

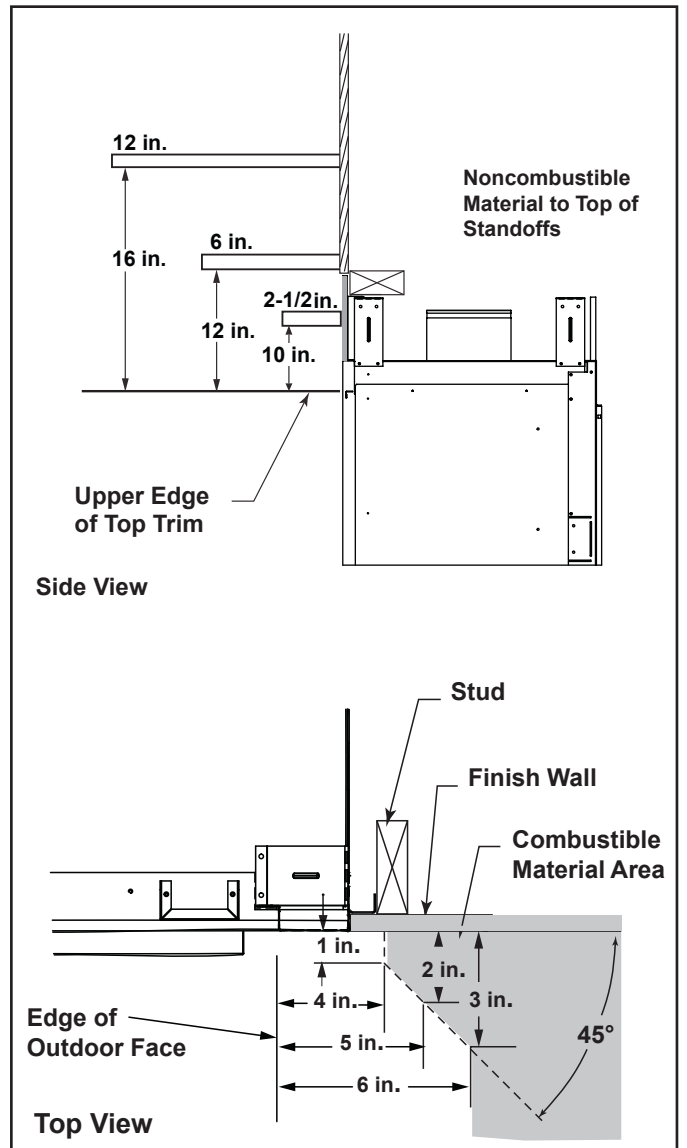


Figure 3.5. Mantel Clearance Outdoor Side (Combustible Mantel)

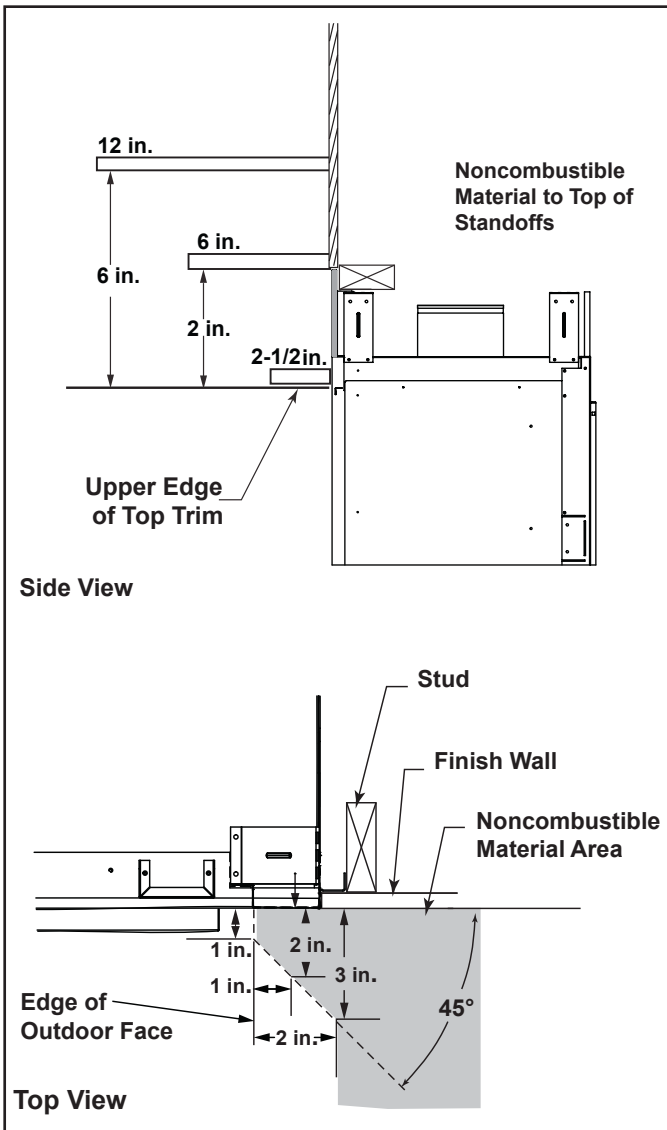


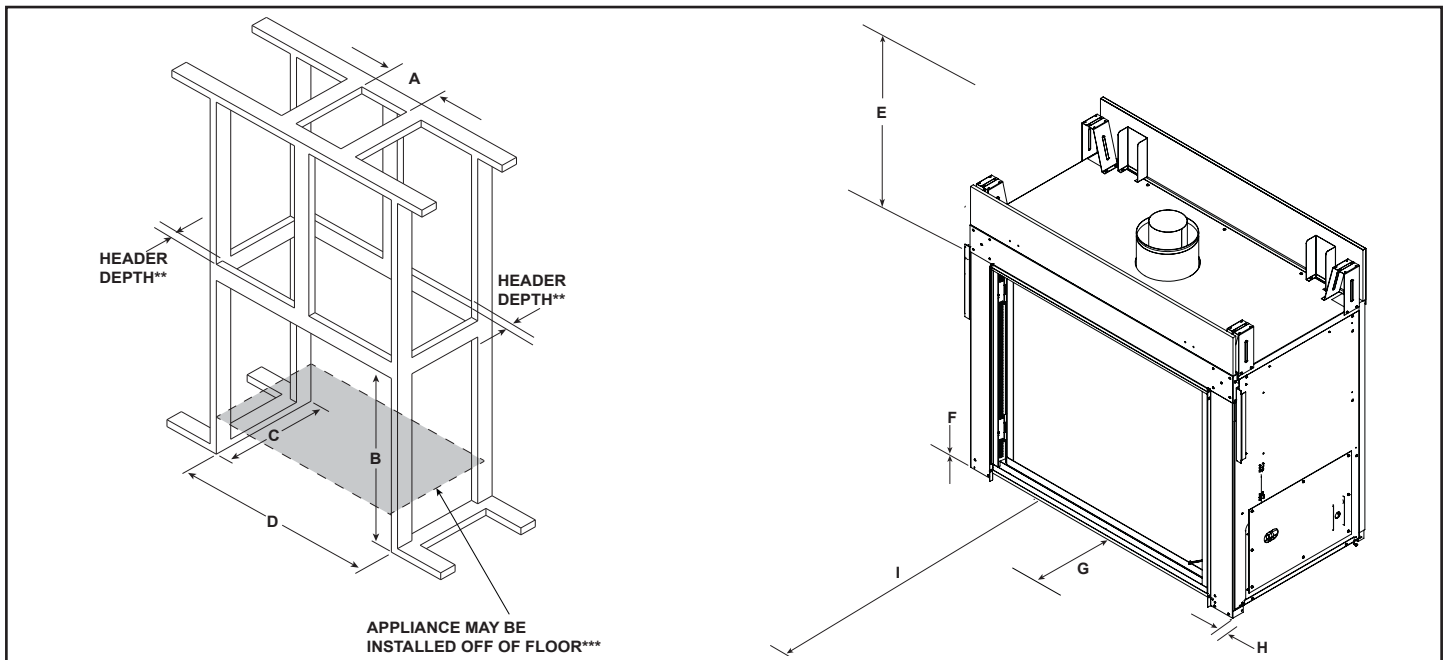
Figure 3.6. Mantel Clearance Outdoor Side (Noncombustible Mantel)

**⚠ WARNING**



**Fire Risk.**

Never obstruct or modify the air inlet or outlet grilles (louvers). This may create a fire hazard



**MINIMUM FRAMING DIMENSIONS\***

	A	B**	C*	D	E	F**	G**	H	I
	Rough Opening (Vent Pipe)	Rough Opening (Height)	Rough Opening (Depth)	Rough Opening (Width)	Clearance to ceiling from opening	Combustible Floor	Combustible Flooring	Sides of Appliance	Front or Rear of Appliance
Inches	10	44-7/8	23	49-1/2	37-3/4	0	See Note Below	1	48
Millimeters	254	1140	584	1257	959	0	See Note Below	25	1219

\* Adjust framing dimensions for interior sheathing (such as sheetrock)

\*\* Fireplace may need to be elevated from the floor affecting framing height B, depending on hearth construction. See Section 3.D for hearth and combustible floor requirements.

**Figure 3.7 Clearances to Combustibles**

## D. Constructing the Appliance Chase

A chase is a vertical box-like structure built to enclose the gas appliance and/or its vent system. In cooler climates the vent should be enclosed inside the chase.

**NOTICE:** Treatment of ceiling firestops and wall shield firestops and construction of the chase may vary with the type of building. These instructions are not substitutes for the requirements of local building codes. Therefore, you **MUST** check local building codes to determine the requirements to these steps.

Chases should be constructed in the manner of all outside walls of the home to prevent cold air drafting problems. The chase should not break the outside building envelope in any manner.

Walls, ceiling, base plate and cantilever floor of the chase should be insulated. Vapor and air infiltration barriers should be installed in the chase as per regional codes for the rest of the home. Additionally, in regions where cold air infiltration may be an issue, the inside surfaces may be sheet rocked and taped (or an equivalent method may be used) to achieve maximum air tightness.

To further prevent drafts, the wall shield and ceiling firestops should be caulked with caulk with a minimum of 300°F continuous exposure rating to seal gaps. Gas line holes and other openings should be caulked with caulk with a minimum of 300°F continuous exposure rating or stuffed with unfaced insulation. If the appliance is being installed on a cement surface, a layer of plywood may be placed underneath to prevent conducting cold up into the room.

**NOTICE:** Install appliance on hard metal or wood surfaces extending full width and depth. **DO NOT** install directly on carpeting, vinyl, tile or any combustible material other than wood.

**WARNING! Risk of Fire!** Maintain specified air space clearances to appliance and vent pipe:

- Insulation and other materials must be secured to prevent accidental contact.
- The chase must be properly blocked to prevent blown insulation or other combustibles from entering and making contact with fireplace or chimney.
- Failure to maintain airspace may cause overheating and a fire.

## E. Hearth Extension

**WARNING! Risk of Fire!** Hearth extension required to protect combustible floors in front of appliance.

**WARNING! Risk of Fire! DO NOT block ventilation slots.** A minimum 1/4 in. space between the bottom of hearth refractory and top of field installed hearth extension (marble, tile, granite, etc) is required across full width of fireplace.

If the appliance is to be placed directly on the floor, the non-combustible hearth material will be limited to 3/4 in. thick, including the floor adhesive. If the hearth material will exceed 3/4 in. thick, the appliance will need to be shimmed from the floor appropriately to maintain 1/4 in. minimum space between the floor hearth and hearth refractory.

The base of the fireplace may sit on a combustible surface. The area in front of the fireplace must be protected by a noncombustible hearth extension, unless the fireplace is raised a minimum of three inches above the combustible floor or hearth. See Figures 3.8 and 3.9.

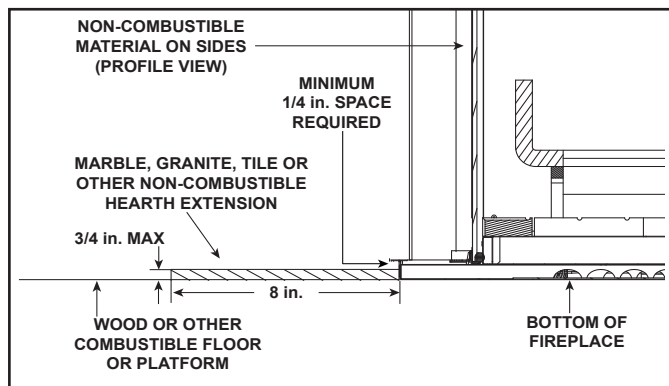


Figure 3.8 Fireplace Positioned on Combustible Surface

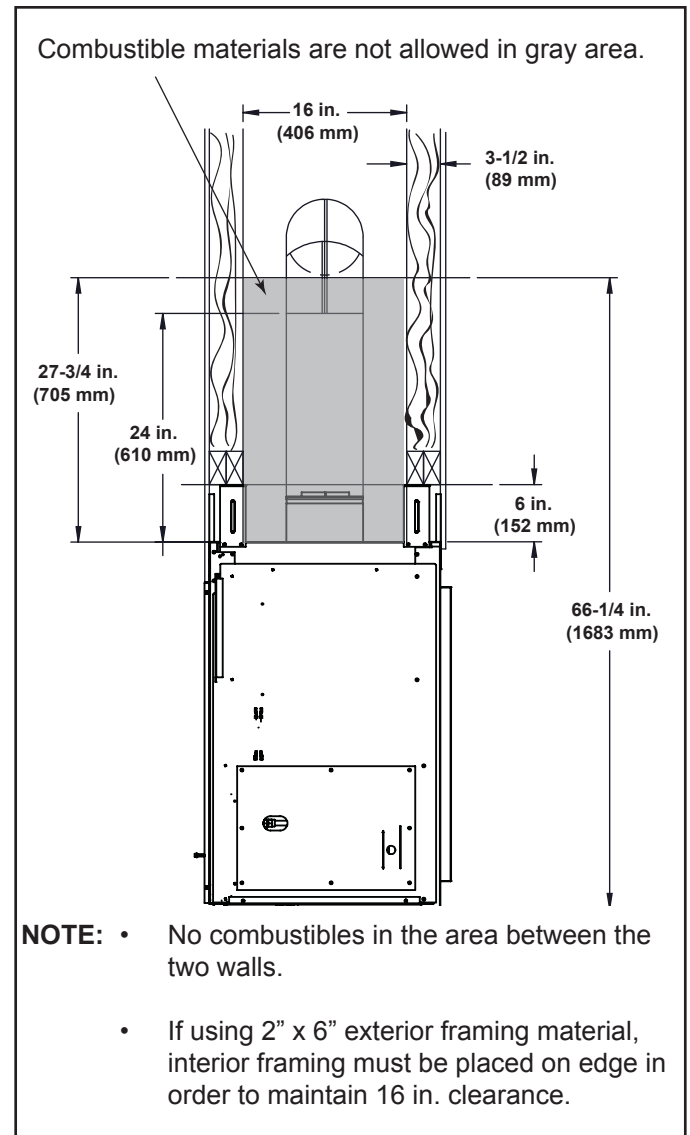


Figure 3.9 Non-Combustible Zone

# 4 Termination Location and Vent Information

## A. Vent Termination Minimum Clearances

### ⚠ WARNING



Fire Risk.  
 Maintain vent clearance to combustibles as specified.

- **DO NOT** pack air space with insulation or other materials.

Failure to keep insulation or other materials away from vent pipe could cause overheating and fire.

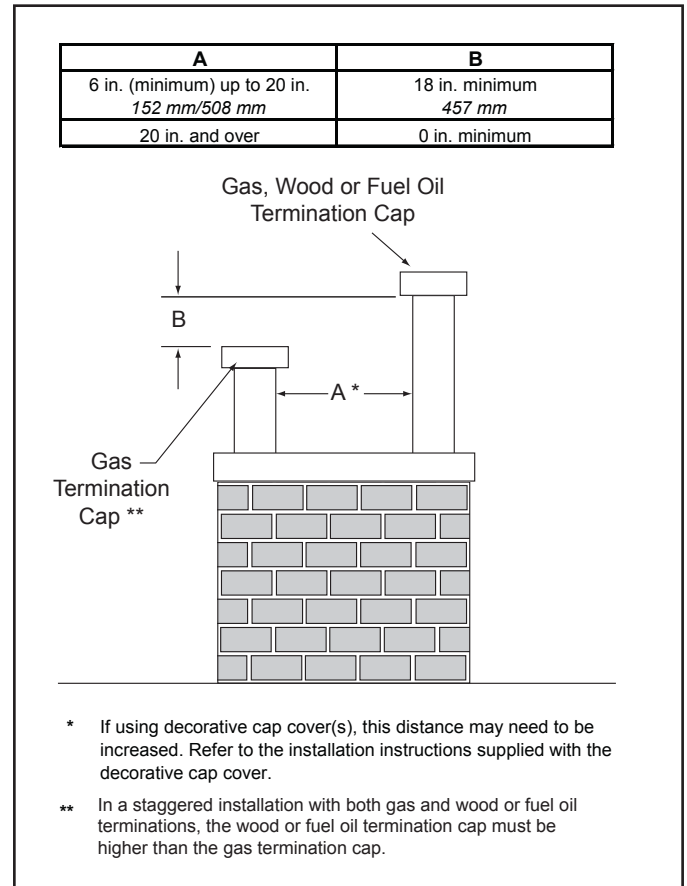
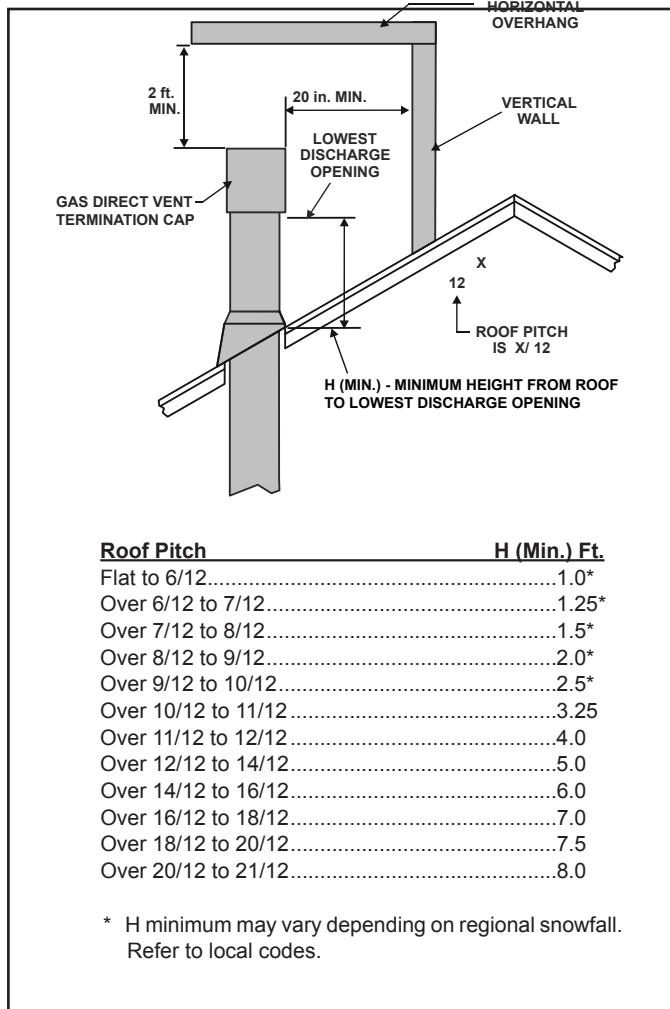


Figure 4.2 Staggered Termination Caps

Figure 4.1 Minimum Height From Roof to Lowest Discharge Opening

## B. Chimney Diagram

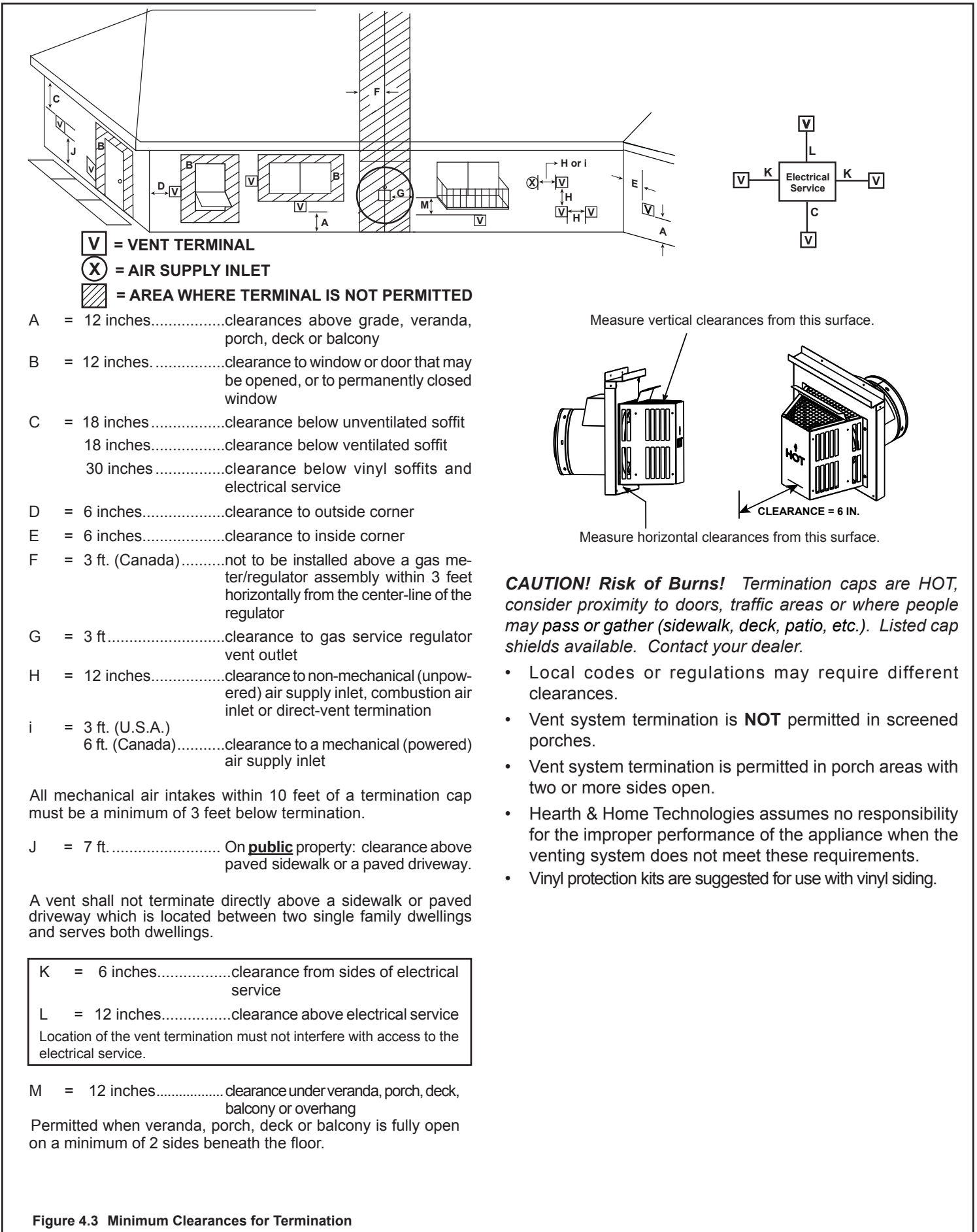


Figure 4.3 Minimum Clearances for Termination

## How to Use the Vent Graph

The Vent Graph should be read in conjunction with the following vent installation instructions to determine the relationship between the vertical and horizontal dimensions of the vent system.

1. Determine the height of the center of the horizontal vent pipe exiting through the outer wall. Using this dimension on the Sidewall Vent Graph below, locate the point intersecting with the slanted graph line.
2. From the point of this intersection, draw a vertical line to the bottom of the graph.
3. Select the indicated dimension, and position the fireplace in accordance with same.

**Example:** If the vertical dimension from the floor of the fireplace is 11' (3.4 m) the horizontal run to the face of the outer wall must not exceed 16' (4.9 m).

Sidewall Vent Graph showing the relationship between vertical and horizontal dimensions for the Direct Vent flue system.

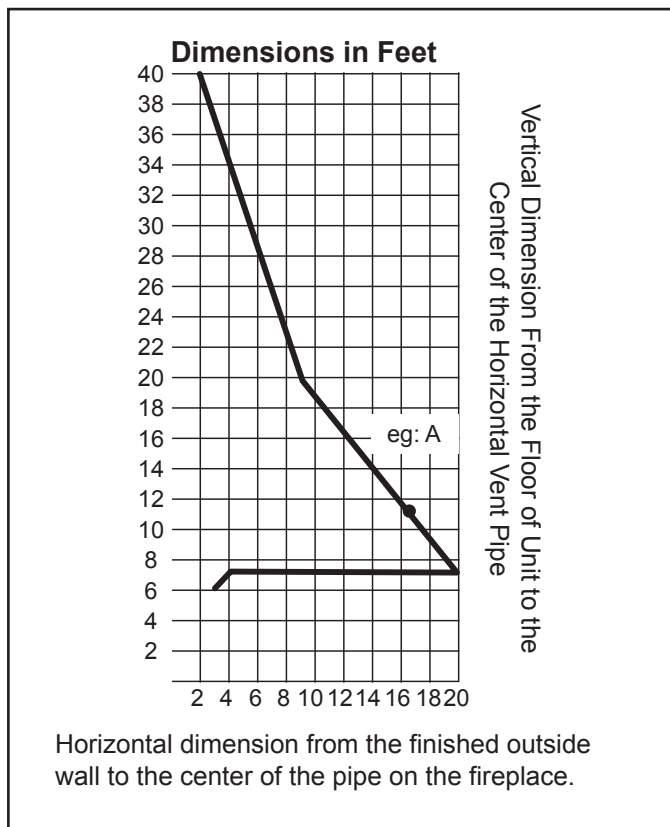


Figure 4.4 Rear Wall Venting Graph (No Horizontal Elbows)

## C. Approved Pipe

This appliance is approved for use with Hearth & Home Technologies DVP venting systems. SLP venting may be used when a power vent is installed. Refer to Section 11.A for vent component information and dimensions.

**DO NOT** mix pipe, fittings or joining methods from different manufacturers.

The pipe is tested to be run inside an enclosed wall. There is no requirement for inspection openings at each joint within the wall.

**WARNING! Risk of Fire or Asphyxiation.** This appliance requires a separate vent. **DO NOT** vent to a pipe serving a separate solid fuel burning appliance.

## D. Use of Elbows

**WARNING! Risk of Fire.** This appliance requires a minimum of 24 inches of vertical venting before attaching any elbow to the appliance. **DO NOT** attach elbow directly to the appliance.

Diagonal runs have both vertical and horizontal vent aspects when calculating the effects. Use the rise for the vertical aspect and the run for the horizontal aspect. See Figure 4.5.

Two 45° elbows may be used in place of one 90° elbow. On 45° runs, one foot of diagonal is equal to 8-1/2 in. (216 mm) horizontal run and 8-1/2 in. (216 mm) vertical run. A length of straight pipe is allowed between two 45° elbows. See Figure 4.5.

Figure 4.6 shows the vertical and horizontal offsets for DVP elbows.

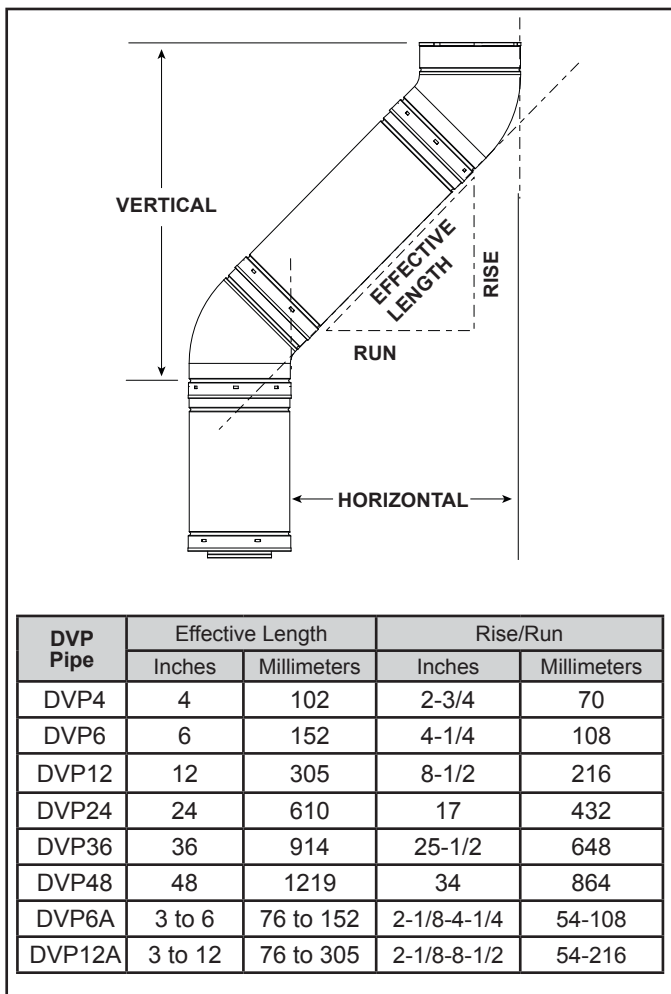


Figure 4.5

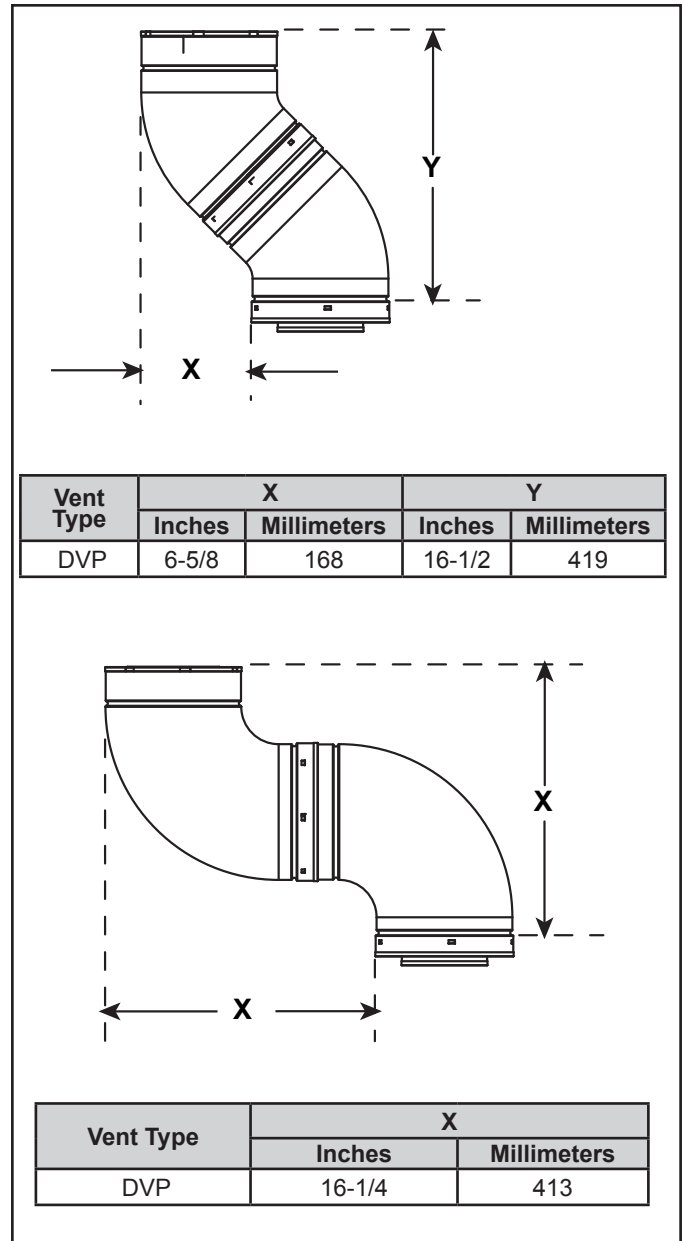


Figure 4.6 Vertical and Horizontal Offset for DVP and SLP Elbows

## E. Measuring Standards

Vertical and horizontal measurements listed in the vent diagrams were made using the following standards:

- Pipe measurements are shown using the effective length of pipe. See Section 11.A Figure 11.1 for information on effective length of pipe components.
- Horizontal terminations are measured to the outside mounting surface (flange of termination cap) (see Figure 4.7).
- Vertical terminations are measured to top of last section of pipe. See Figure 4.8.
- Horizontal pipe installed level with no rise.

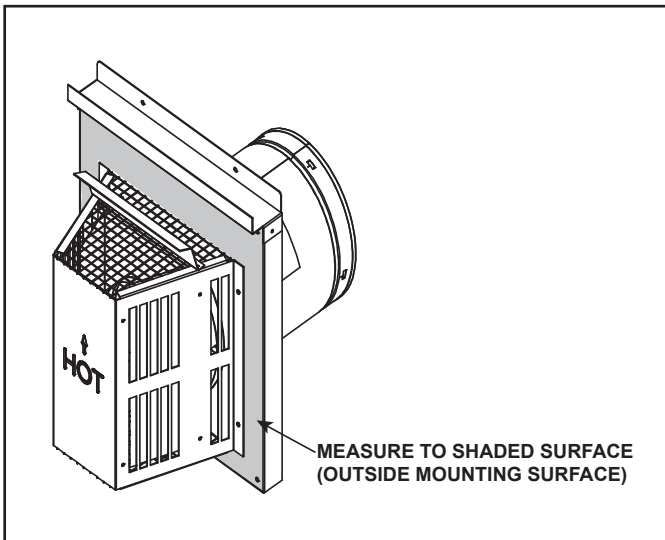


Figure 4.7 Measure to Outside Mounting Surface

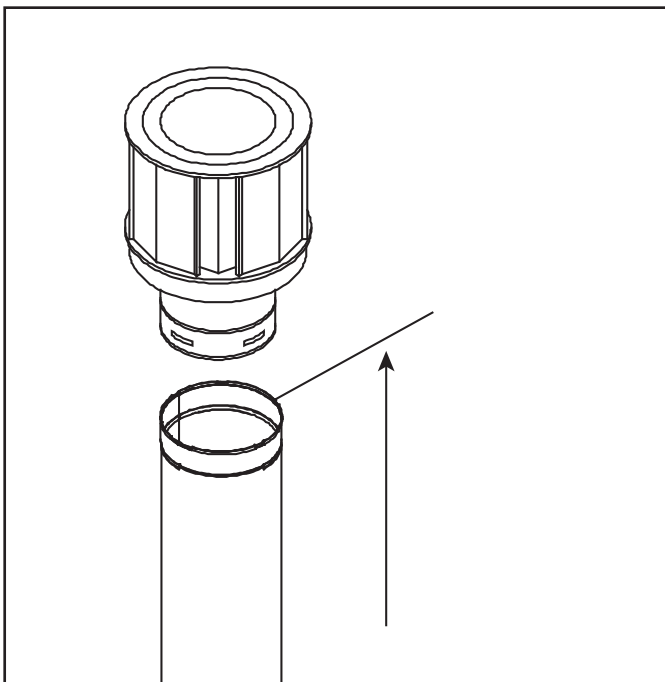


Figure 4.8. Measure to Top of Last Section of Pipe

## F. Vent Diagrams

General Rules:

- SUBTRACT 3 ft. from the total H measurement for each 90° elbow installed horizontally.
- SUBTRACT 1-1/2 ft. from the total H measurement for each 45° elbow installed horizontally.
- A maximum of three 90° elbows (or six 45° elbows) may be used in any vent configuration. Some elbows may be installed horizontally.
- Elbows may be placed back to back anywhere in the system.
- Any 90° elbow may be replaced with two back to back 45° elbows.
- When penetrating a combustible wall, a wall shield firestop must be installed.
- When penetrating a combustible ceiling, a ceiling firestop must be installed.
- This appliance requires a minimum of 24 inches of vertical pipe attached directly to the appliance starting collar before attaching a 90 degree or 45 degree elbow.
- Horizontal runs of vent do not require vertical rise; horizontal runs may be level.
- Horizontal termination cap should have a 1/4 inch downward slant to allow any moisture in cap to be released.

# 5 Venting Installation

## ⚠ WARNING

Read all instructions completely and thoroughly before attempting installation. Failure to do so could result in serious injury, property damage or loss of life. Operation of improperly installed and maintained venting system could result in serious injury, property damage or loss of life.

### A. Installation Precautions

Consult local building codes before beginning the installation. The installer must make sure to select the proper vent system for installation. Before installing vent kit, the installer must read this fireplace manual and vent kit instructions.

Only a qualified installer/service person should install the venting system. The installer must follow these safety rules:

- Wear gloves and safety glass for protection.
- Use extreme caution when using ladders or when on rooftops.
- Be aware of electrical wiring locations in walls and ceilings.

The following actions will void the warranty on your venting system:

- Installation of any damaged venting component.
- Unauthorized modification of the venting system.
- Installation of any component part not manufactured or approved by Hearth & Home Technologies.
- Installation other than permitted by these instructions.

## ⚠ WARNING

Horizontal sections of this vent system require a minimum of 3" clearances to combustibles at the top of the flue and 1" clearance at the sides and bottom *until the flue penetrates the outside wall*. A minimum 1" clearance all around the flue is acceptable at this point of penetration. Unless the vertical run is 7-1/2 feet or higher from the floor of the fireplace, the clearance for horizontal run is 1" on all sides.

Vertical sections of this vent system require a minimum of 2" clearance to combustibles at the top of the unit directly above the stand-off. A minimum of 1" clearance all around the flue is acceptable thereafter.

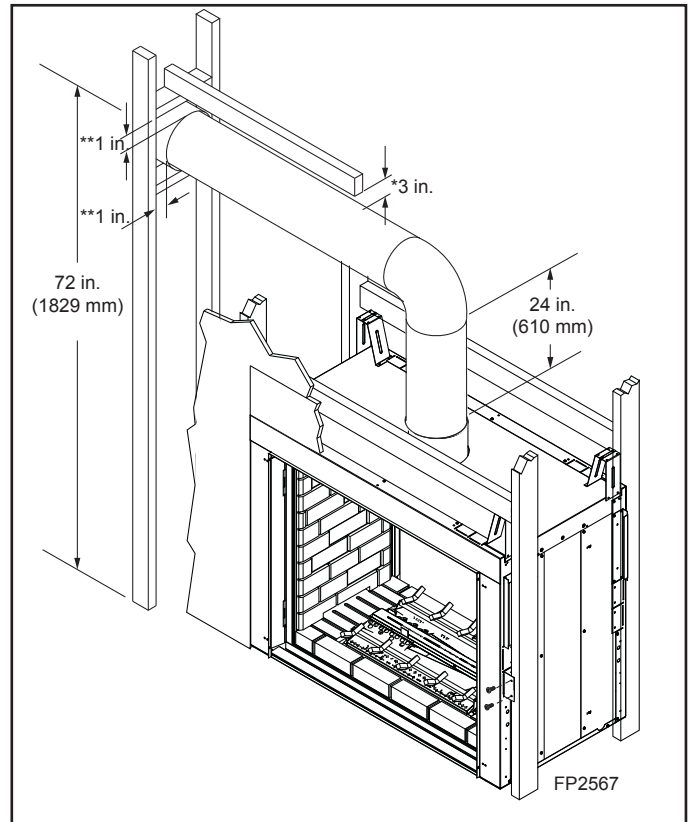


Figure 5.1 Combustible Clearances for Vent Pipe

\* A minimum of 3" clearance to the top is required along horizontal length until flue pipe penetrates outside wall.

\*\* A minimum 1" clearance to combustibles permitted all around flue at outside wall

## ⚠ WARNING

This fireplace must be vented to the outside. The venting system must NEVER be attached to a chimney serving a separate solid fuel burning appliance. Each gas appliance must use a separate vent system. Do not use common vent systems.

**NOTICE:** Failure to follow these instructions will void the warranty.

## B. Installation Planning

There are two basic types of direct-vent installation:

- Horizontal Termination
- Vertical Termination

It is important to select the proper length of vent pipe for the type of termination you choose. It is also important to note the wall thickness.

### For Horizontal Termination

Select the amount of vertical rise desired. All horizontal run of venting must have 1/4" rise for every 12" of run towards the termination below 7½ feet of vertical rise from floor of fireplace. With 7½ feet or more of vertical rise from the floor of the fireplace, the horizontal run may be level. NEVER run vent piping down.

You may use up to three 90° elbows in this vent configuration. Refer to Vertical/Horizontal Termination Configurations on Page 20.

### For Vertical Termination

Measure the distance from the fireplace floor to the ceiling. Add the ceiling thickness, the vertical rise in an attic or second story, and allow for sufficient vent height above the roof line.

**NOTE:** You may use two 45° elbows in place of a 90° elbow. You must follow rise to run ratios when using 45° elbows. The appliance is approved for use with three 90° elbows maximum or a combination of 90° and 45° elbows up to a maximum of 270°.

**NOTICE:** Treatment of firestops and construction of the chase may vary from building type to building type. These instructions are not substitutes for the requirements of local building codes. You must follow all local building codes.

## ⚠ WARNING

**Never run the vent pipe down. This may cause excessive temperatures which could cause a fire.**

For two-story applications, firestops are required at each floor level. If an offset is needed in the attic, additional pipe and elbows will be required.

You may use a chase with a vent termination with exposed pipe on the exterior of the house. See *Installing Vent System in a Chase* below. If pipe is enclosed in chase, it is not exposed.

It is very important that the venting system maintain its balance between the combustion air intake and the flue gas exhaust. Certain limitations apply to vent configurations and must be strictly followed.

## C. Installation Instructions

### Installing a Vent System in an Outside Chase

A chase is a vertical boxlike structure built to enclose venting that runs along the outside of a building. A chase is required for such venting.

**NOTICE:** When installing in a chase, you should insulate the chase as you would the outside walls of your home. This is especially important in cold climates. Insulation should be considered a combustible material. Maintain proper clearances to all combustible materials.

## ⚠ WARNING

**Always maintain minimum clearances around vent systems. The minimum clearances to combustibles for horizontal vent pipe are 3" at the top\* and 1" at the sides and bottom of the vent system until the pipe penetrates the nearest vertical wall (1" required). A 1" minimum clearance all around the pipe must be maintained at outside wall and on vertical runs. Do not pack the open air spaces with insulation or other materials. This could cause high temperatures and may present a fire hazard. \*Unless the vertical run is 7½ feet or higher from floor of fireplace, the clearance for the horizontal run is 1" on all sides.**

## Vertical Sidewall Installation

**NOTE: Sealant is not required to assemble fireplace venting. Do not use silicone sealant at the inner flue exhaust connections.**

### Step 1

Locate vent opening on the wall. It may be necessary to first position the fireplace and measure to obtain hole location. Depending on whether the wall is combustible or noncombustible, cut opening to size. See Figure 5.2 (For combustible walls first frame in opening.)

**Combustible Walls:** Cut a 10½"H x 10½"W (267 x 267 mm) hole through the exterior wall and frame as shown. See Figure 5.2.

**Noncombustible Walls:** Hole opening must be 8½" (216 mm) in diameter.

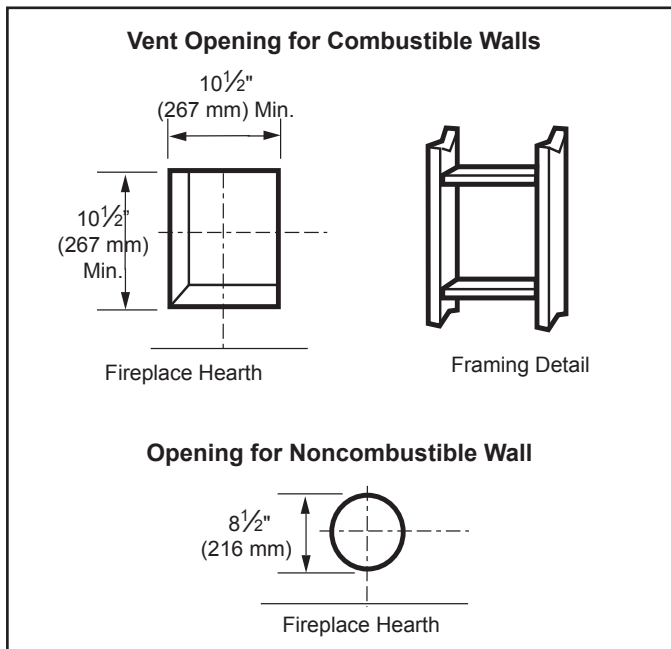


Figure 5.2 Locate vent opening on wall

**Noncombustible Walls:** Hole opening must be 8½" (216 mm) in diameter.

### Step 2

Secure firestop to the inside frame, center in the 10½" x 10½" vent opening.

### Step 3

Place fireplace into position. Measure the vertical height (X) required from the base of the flue collars to the center of the wall opening. See Figure 5.3.

### Step 4

Using appropriate length of pipe section(s) attach to fireplace with three (3) screws. Follow with the installation of the elbow.

### Step 5

Measure the horizontal length requirement figuring a 1¼" (32 mm) overlap, i.e. from the elbow to the outside wall cap. See Figure 5.4

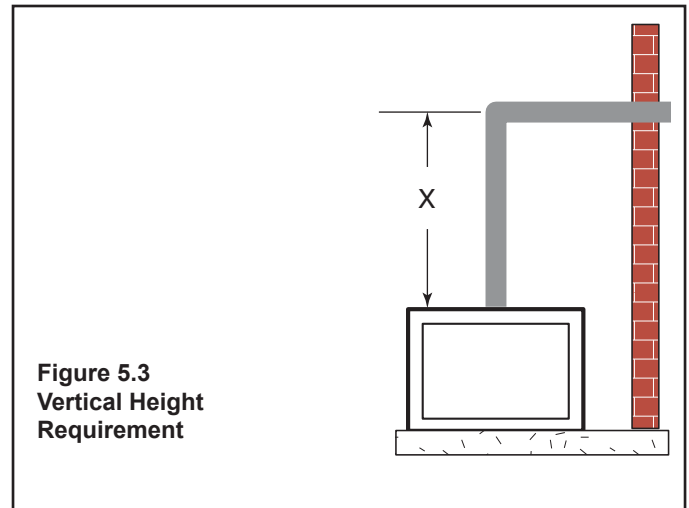


Figure 5.3  
Vertical Height Requirement

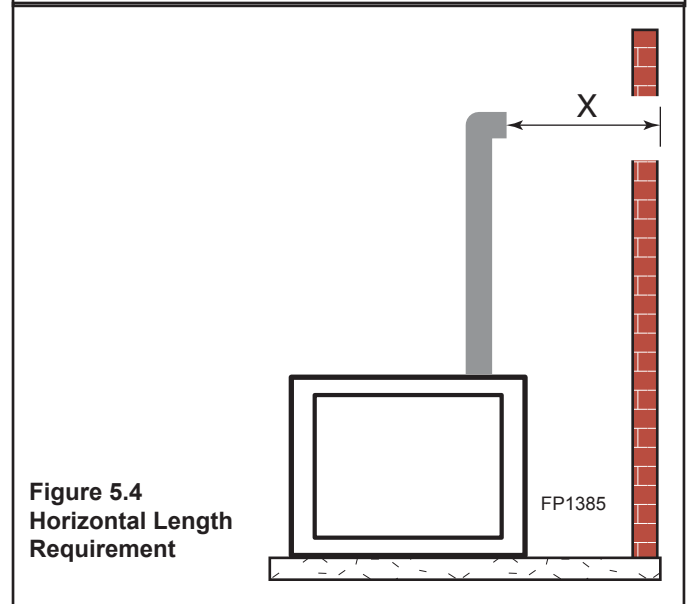


Figure 5.4  
Horizontal Length Requirement

**Note: Always install horizontal venting on a level plane.**

### Step 6

Use appropriate length of pipe sections - telescopic or fixed - and install.

**Sealing vent pipe and firestop gaps with high temperature sealant will restrict cold air being drawn in around fireplace.**

### Step 7

Guide the vent terminations 5" and 8" collar into their respective vent pipes. Double check that the vent pipes overlap the collars by a minimum of 1¼" (32 mm). Secure the termination to the wall with screws provided and caulk around the wall plate to weatherproof. As an alternative to screwing the termination directly to the wall, you may also use expanding plugs or an approved exterior construction adhesive.

**Note: Support horizontal pipes every 36" (914 mm) with metal pipe straps.**

## Vertical/Horizontal Termination configurations

Since it is very important that the venting system maintain its balance between the combustion air intake and the flue gas exhaust, certain limitations as to vent configurations apply and must be strictly adhered to.

The Vent Graph, showing the relationship between vertical and horizontal side wall venting, will help to determine the various dimensions allowable. See Figure 4.4.

**NOTE:** Horizontal sections of this vent system require a minimum of 3" clearances to combustibles at the top of the flue and 1" clearance at the sides and bottom until the flue penetrates the outside wall. A minimum 1" clearance all around the flue is acceptable at this point of penetration. Unless the vertical run is 7½ feet or higher from floor of fireplace, the clearance for the horizontal run is 1" on all sides.

Vertical sections of this vent system require a minimum of 1" clearance to combustibles on all sides of the pipe.

When vent exits through foundations less than 20" below outcrop, the termination must be flush up with outcropped wall above.

It is best to locate the fireplace in such a way that minimizes the number of offsets and horizontal vent length.

The horizontal vent run refers to the total length of vent pipe from the flue collar of the fireplace (or the top of the Transition Elbow) to the face of the finished outside wall.

- The maximum number of 90° elbows per side wall installation is three (3). See Figure 5.5.

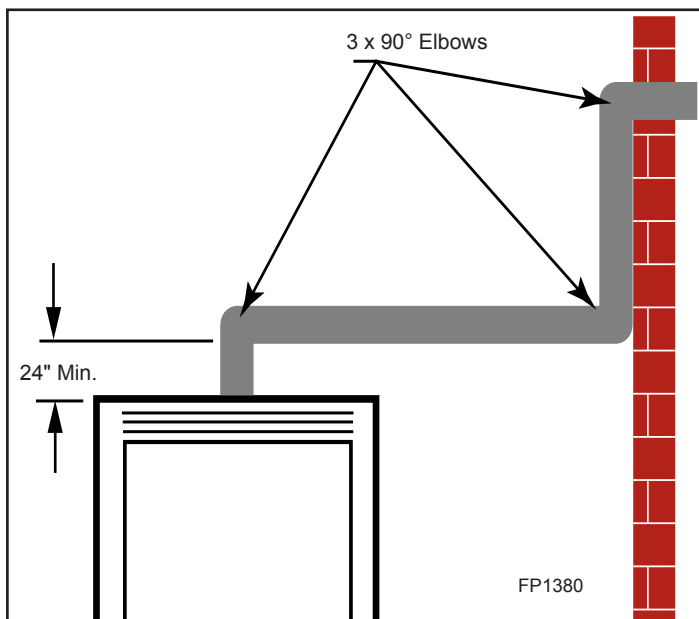


Figure 5.5 Maximum Three (3) 90° Elbows Per Installation

- A minimum of 24" is required before a 90° elbow. If a 90° elbow is fitted directly after 24" vertical section mounted to the top of the fireplace, the maximum horizontal vent run before the termination is 36" (914 mm). See Figure 5.6.

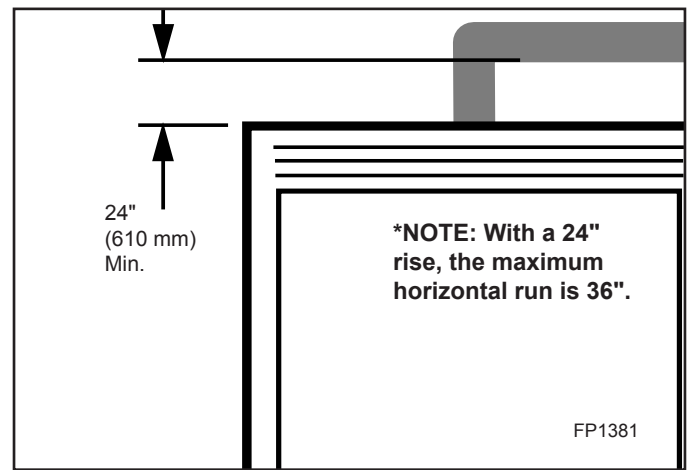


Figure 5.6 Horizontal Run with Minimum Vertical Rise

- If a 90° elbow is used in the horizontal vent run (level height maintained) the horizontal vent length is reduced by 36". Refer to Figure 5.7. This does not apply if the 90° elbows are used to increase or redirect a vertical rise.

**Example:** According to the vent graph (page 14) the maximum horizontal vent length in a system with a 10' vertical rise is 17½' (5.3 m) and if a 90° elbow is required in the horizontal vent it must be reduced to 14½' (4.4 m).

In Figure 5.7 dimension A plus B must not be greater than 14½' (4.4 m).

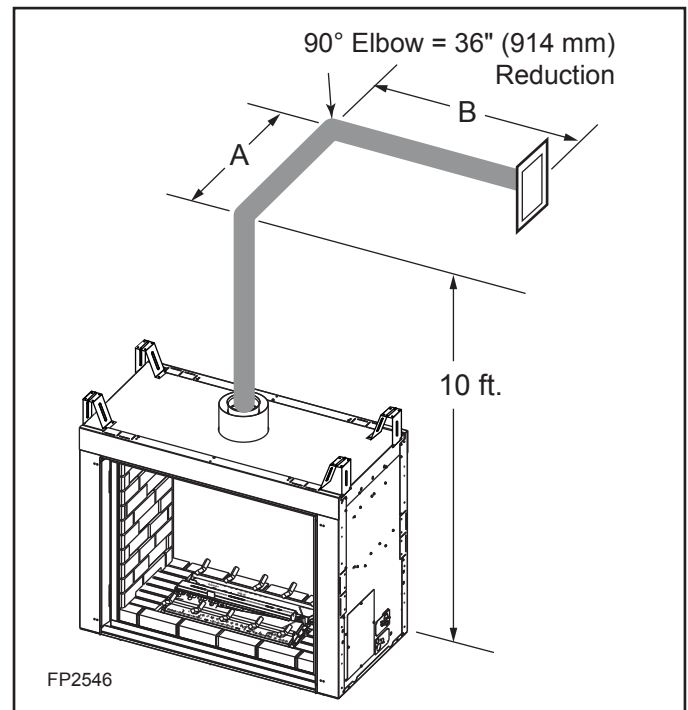


Figure 5.7 Horizontal Run Reduction

- For each 45° elbow installed in the horizontal run, the length of the horizontal run MUST be reduced by 18" (457 mm). This does not apply if the 45° elbows are installed on the vertical part of the vent system.
- The maximum number of elbow degrees in a system is 270°. See Figure 5.8.

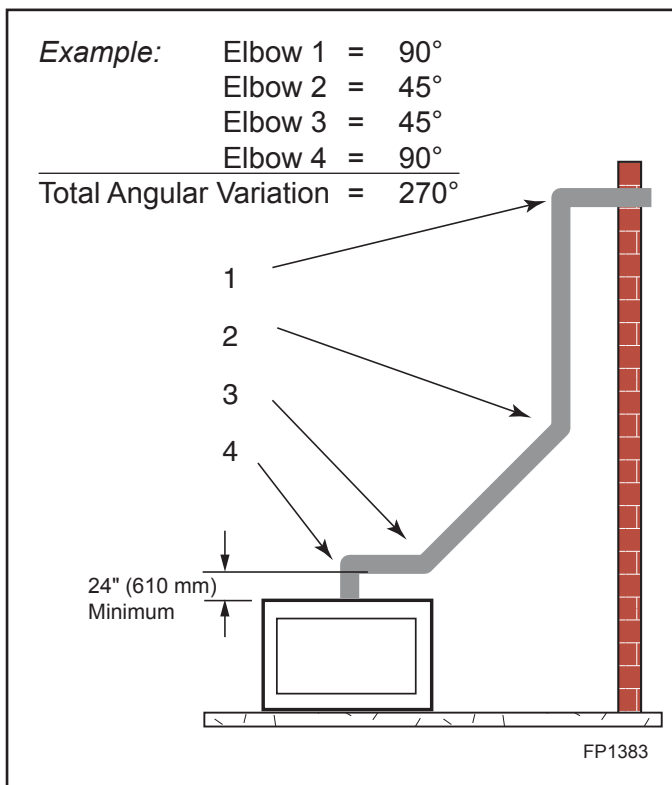


Figure 5.8 Maximum Elbow Usage

## Below Grade Installations

When it is not possible to meet the required vent terminal clearances of 12" above grade level, a snorkel kit is recommended. It allows installation depth down to 7" (178 mm) below grade level. The 7" (178 mm) is measured from the center of the horizontal vent pipe as it penetrates through the wall.

**Ensure that sidewall venting clearances are observed. If venting system is installed below ground, we recommend a window well with adequate and proper drainage to be installed around the termination area.**

If installing a snorkel, a minimum 24" vertical rise is necessary. The maximum horizontal run with the 24" vertical pipe is 36". This measurement is taken from the collar of the fireplace (or transition elbow) to the face of the exterior wall. See the Sidewall Venting Graph for extended horizontal run if the vertical exceeds 24".

1. Establish vent hole through the wall.
2. Remove soil to a depth of approximately 16" below base of snorkel. Install drain pipe. Install window well (not

supplied). Refill hole with 12" of coarse gravel leaving a clearance of approximately 4" below snorkel. See Figure 5.9.

3. Install vent system.
4. Ensure a watertight seal is made around the vent pipe coming through the wall.
5. Apply high temperature sealant caulking (supplied) around the 5" and 8" snorkel collars.
6. Slide the snorkel into the vent pipes and secure to the wall.
7. Level the soil so as to maintain a 4" clearance below snorkel. See Figure 5.9.

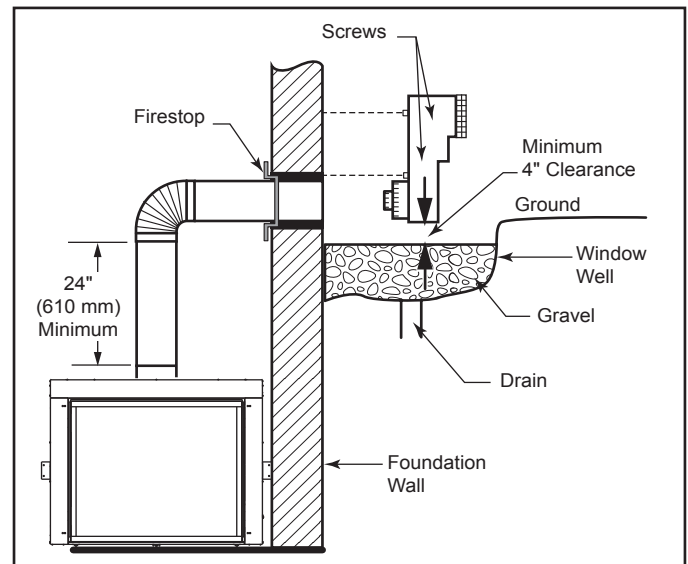


Figure 5.9 Below Grade Installation

If the foundation is recessed, use recess brackets (not supplied) for securing lower portion of the snorkel. Fasten brackets to wall first, then secure to snorkel with self-drilling #8 x 1/2 sheet metal screws. It will be necessary to extend vent pipes out as far as the protruding wall face. See Figure 5.10.

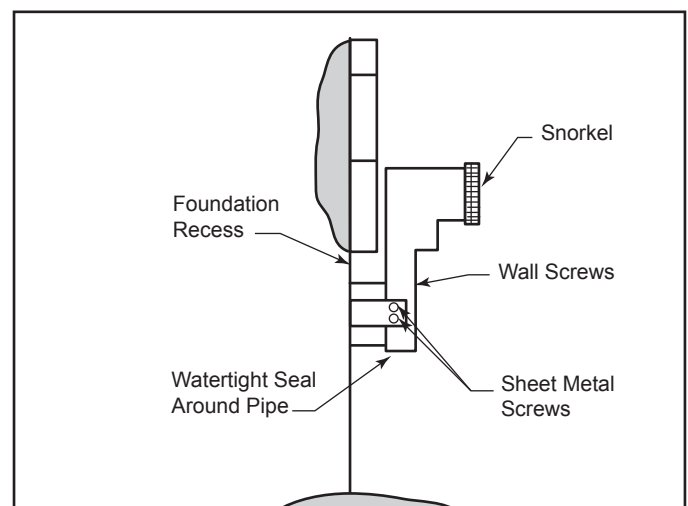


Figure 5.10 Snorkel Installation, Recessed Foundation

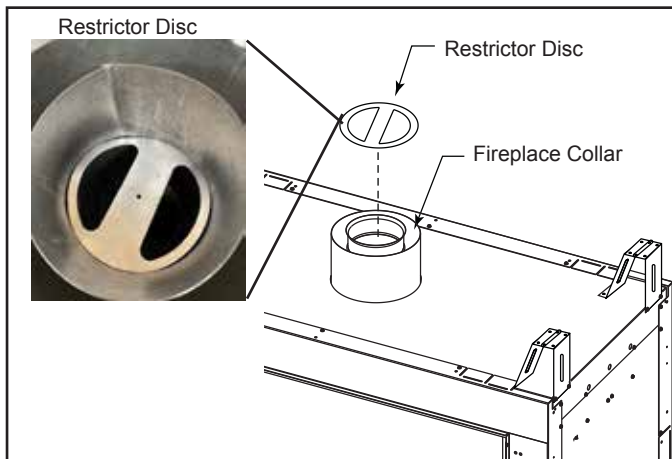
## ⚠ WARNING

- Do not back fill around snorkel.
- A clearance of at least 4" must be maintained between the snorkel and the soil.

### Vertical Through-the-Roof Applications

**NOTICE:** A restrictor disc must be installed on vertical terminations that are higher than 12' (366 cm).

Install restrictor disc as shown in *Figure 5.11* for vertically vented applications. Restrictor disc can be slightly deformed to fit properly. Up to two (2) restrictor discs may be needed for 40' installation. The two (2) restrictor discs supplied will work for most installations. If a third disc is needed order part number 56D3027.



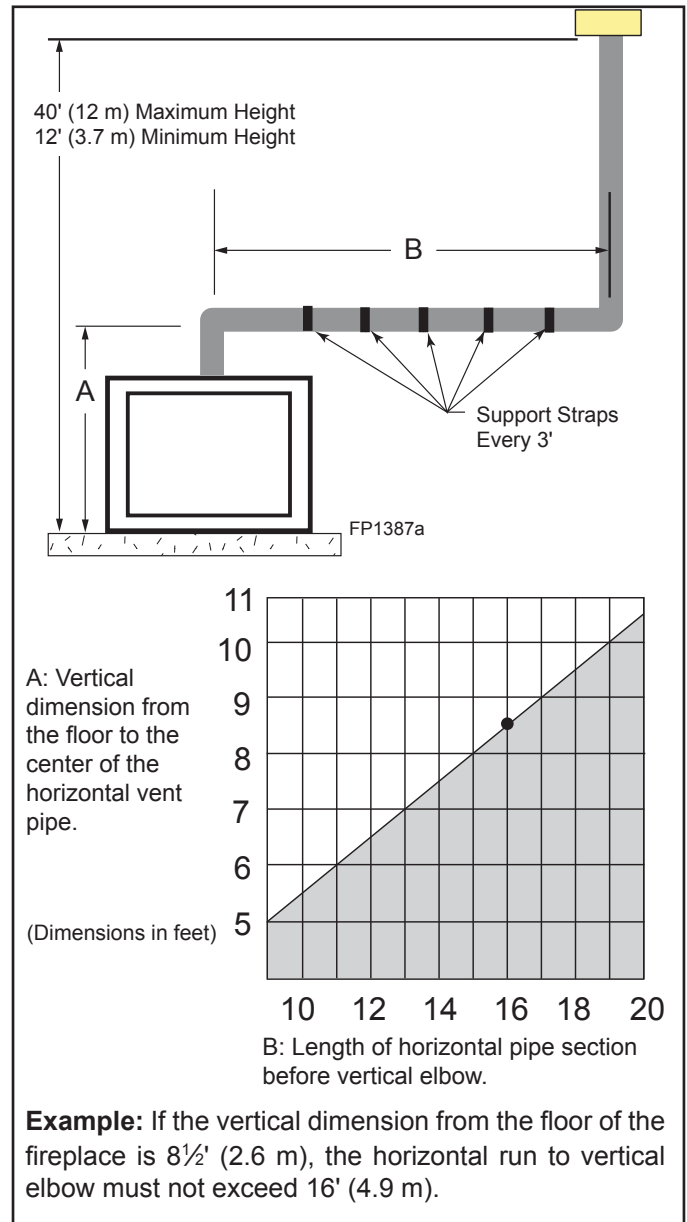
**Figure 5.11** Install Restrictor Disc into Fireplace Collar

This gas fireplace has been approved for vertical installations up to 40' (12 m) in height. Up to a 20' (6 m) horizontal vent run can be installed within the vent system using a maximum of two 90° elbows. See *Figure 5.12*.

**NOTE:** Horizontal sections of this vent system require a minimum of 3" clearances to combustibles at the top of the flue and 1" clearance at the sides and bottom until the flue penetrates the outside wall. A minimum 1" clearance all around the flue is acceptable at this point of penetration. Unless the vertical run is 7½ feet or higher from floor of fireplace, the clearance for the horizontal run is 1" on all sides.

Vertical sections of this vent system require a minimum of 1" clearance to combustibles on all sides of the pipe.

- Up to two 45° elbows may be used within the horizontal run. For each 45° elbow used on the horizontal plane, the maximum horizontal length must be reduced by 18" (457 mm).



**Figure 5.12** Allowable Horizontal Runs with Vertical Rises and Terminations

*Example:* Maximum horizontal length

- No elbows = 10' (3 m)
- 1x45° elbows = 8.5' (2.6 m)
- 2x45° elbows = 7' (2.1 m)

- A minimum of an 8' (2.5 m) vertical rise is required.
- Two sets of 45° elbows offsets may be used within the vertical sections. From 0 to a maximum of 8' (2.5 m) of vent pipe can be used between elbows. See *Figure 5.13*.
- The maximum angular variation allowed in the system is 270°. See *Figure 5.13*.
- For the minimum height of the vent above the highest point of penetration through the roof refer to *Page 24, Figure 5.17*.

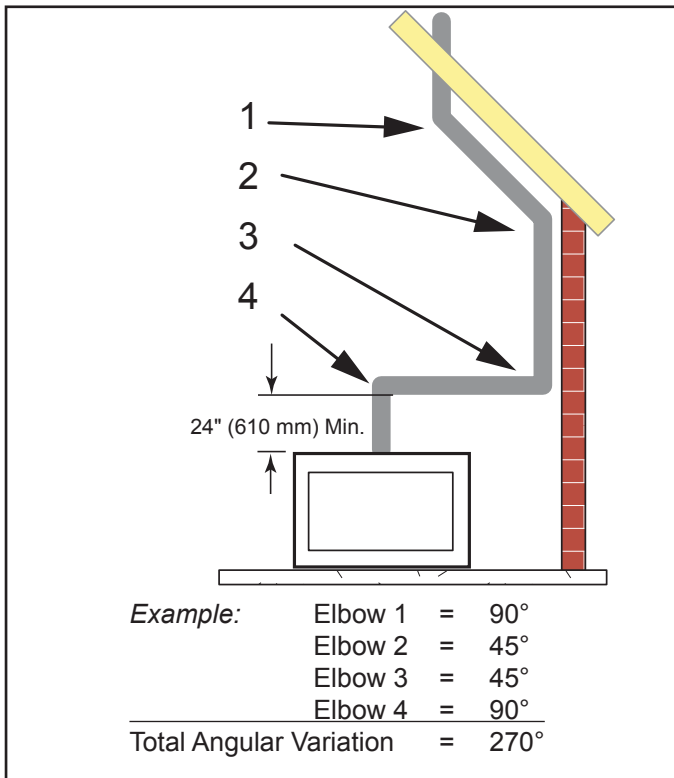


Figure 5.13 Maximum Elbow Usage

### Installation for Vertical Termination

1. Determine the route your vertical venting will take. If ceiling joist, roof rafters or other framing will obstruct the venting system, consider an offset. See Figure 5.15 to avoid cutting load bearing members.

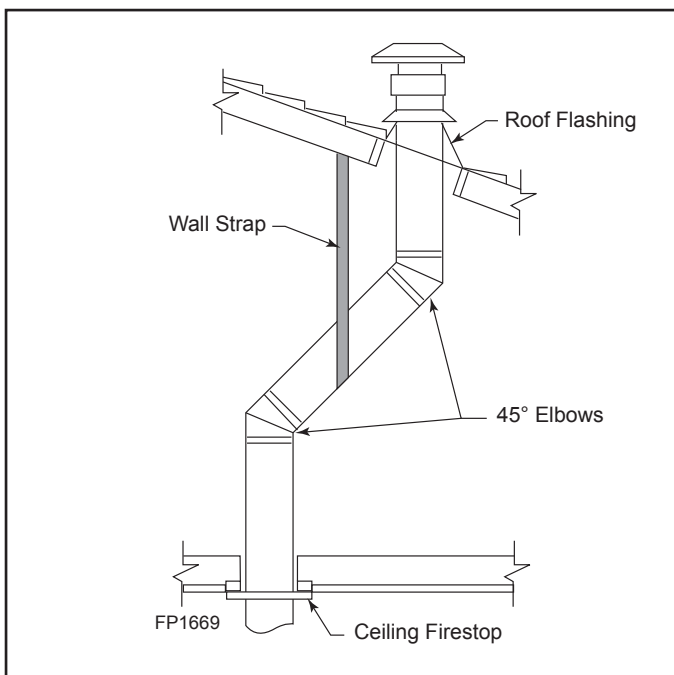


Figure 5.14 Offset with Wall Strap and 45° Elbows

For optimal flame appearance, a restrictor disk is necessary on straight vertical runs of 10' or more.

- Runs may not incorporate elbows.
- The disk is part number 56D3027K and is included in installation manual packet.
- Drop the disk into a 5" inner collar before installing the first section of flue or install at the last section before installing the termination. Also disk can be installed from inside the firebox into the 5" inner collar.
- An additional disk may be installed on runs of 35' or more. Rotate disks perpendicular to each other.

**NOTE:** Pay special attention to these installation instructions for required clearances (air space) to combustibles when passing through ceilings, walls, roofs, enclosures, attic rafters, etc. Do not pack air spaces with insulation. Also note maximum vertical rise of the venting system and any maximum horizontal offset limitations. Offsets must fall within the parameters shown in Figures 5.15 and 5.16.

2. Set fireplace in desired location. Drop a line plumb down from the ceiling to the position of the flue exit. Mark the center point where the vent will penetrate the ceiling. Drill a small locating hole at this point.

Drop a plumb line from the inside of the roof to the ceiling locating hole in the ceiling. Mark the center point where the vent will penetrate the roof. Drill a small locating hole at this point.

### Flat Ceiling Installation

1. Cut a 10½" (267 mm) square hole in the ceiling using the locating hole as a center point. The opening should be framed to 10½"x10½" (267 x 267 mm) inside dimensions as shown in Figure 5.16 using framing lumber the same size as the ceiling joist. If the area above the ceiling is an insulated ceiling or a room, nail firestop from the top side. This prevents loose insulation from falling into the required clearance space. See Figure 5.14. Otherwise, install firestop below the framed hole. See Figure 5.16

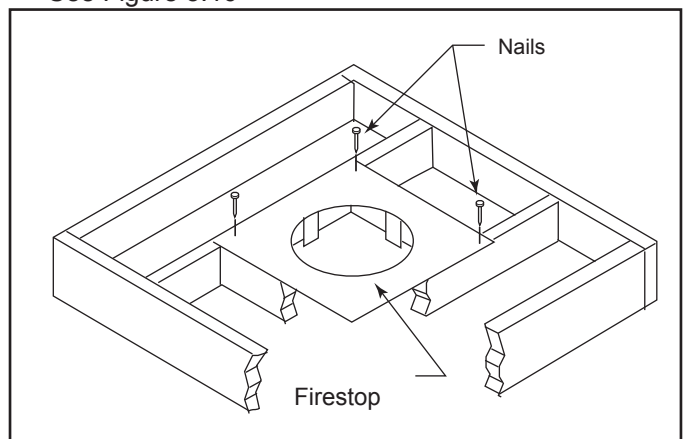
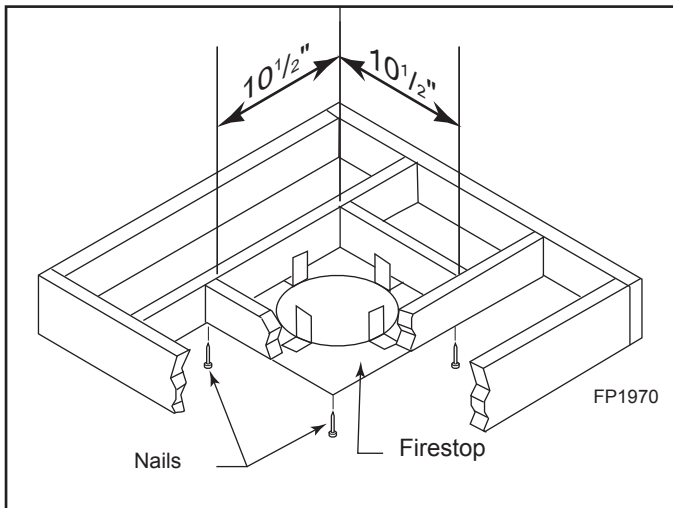


Figure 5.15 If Area Above is a Room, Install Firestop above Framed Hole as Shown



**Figure 5.16** If Area Above is Not a Room, Install Firestop above Framed Hole as Shown

2. Assemble the desired lengths of pipe and elbows necessary to reach from the burner system flue up through the firestop. Be sure pipe and elbow connections are fully twist-locked.
3. Cut a hole in the roof using the locating hole as a center point. (Cover any exposed open vent pipes before cutting hole in roof). The 10½"x10½" (267 x 267 mm) hole must be measured on the horizontal. Actual length may be larger depending on the pitch of the roof. There must be a 1" minimum clearance from the vent pipe to combustible materials. (Insulation should be considered a combustible material).

4. Connect a section of pipe and extend up through the hole.

**NOTE:** If an offset is needed to avoid obstructions, you must support the vent pipe every three (3) feet. Use wall straps for this purpose. Page 22, Figure 5.12. Whenever possible, use 45° elbows instead of 90° elbows. The 45° elbow offers less restriction to the flow of the flue gases and intake air.

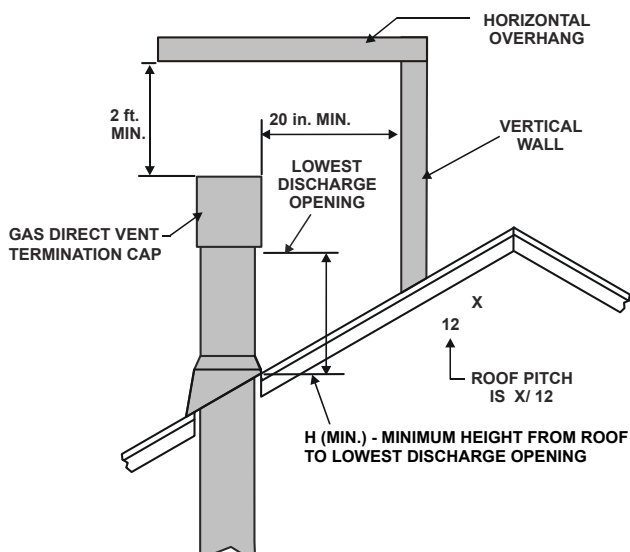
5. Place the flashing over the pipe section(s) extending through the roof. Secure the base of the flashing to the roof and framing with roofing nails. Be sure roofing material overlaps the top edge of the flashing. There must be a 1" clearance from the vent pipe to combustible materials.

6. Continue to add pipe sections until the height of the vent cap meets the minimum building code requirements as shown in Figure 5.17.

**NOTE:** You must increase vent height for steep roof pitches. Nearby trees, adjoining roof lines, steep pitched roofs, and other similar factors may cause poor draft or down-drafting in high winds. Increasing the vent height may solve this problem.

**NOTE:** If the vent pipe passes through any occupied areas above the first floor, including storage spaces and closets, you must enclose pipe. You may frame and sheetrock the enclosure with standard construction material. Make sure to meet the minimum allowable clearances to combustibles. Do not fill any of the required clearance spaces with insulation.

### Termination Height for Vents above Flat or Sloped Roofs.



Roof Pitch	H (Min.) Ft.
Flat to 6/12.....	1.0*
Over 6/12 to 7/12.....	1.25*
Over 7/12 to 8/12.....	1.5*
Over 8/12 to 9/12.....	2.0*
Over 9/12 to 10/12.....	2.5*
Over 10/12 to 11/12.....	3.25
Over 11/12 to 12/12.....	4.0
Over 12/12 to 14/12.....	5.0
Over 14/12 to 16/12.....	6.0
Over 16/12 to 18/12.....	7.0
Over 18/12 to 20/12.....	7.5
Over 20/12 to 21/12.....	8.0

\* H minimum may vary depending on regional snowfall. Refer to local codes.

► **Figure 5.17** Minimum Chimney Clearance

## ▶ 6 Appliance Preparation

### A. Removing Non-combustible Facing Material Assembly

The non-combustible assembly is located on right-hand side of appliance (when looking from outdoor side of appliance).

*Notice: Handle non-combustible pieces with care.*

- Non-combustible pieces may chip or crack if dropped or impacted.
  - Avoid damaging protruding edges on outdoor side of appliance.
  - Do not remove framing standoff brackets.
1. Hold non-combustible pieces in place.
  2. Remove and save two screws from shipping bracket.
  3. Remove non-combustible material and rain shield.
  4. Discard shipping bracket.
  5. Replace screws in holes where shipping bracket was attached to appliance.

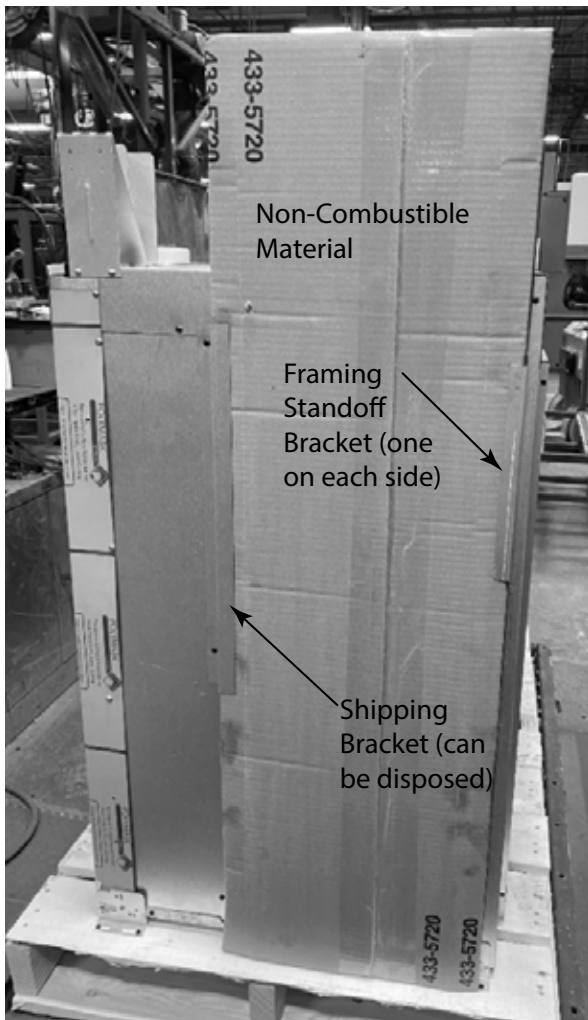


Figure 6.1 Shipping Location of Non-Combustible Board and Rain Shield



Figure 6.2 Front View (Indoor Side)

### B. Securing and Leveling the Appliance

**WARNING! Risk of Fire!** Prevent contact with:

- Sagging or loose insulation
- Insulation backing or plastic
- Framing and other combustible materials

*Block openings into the chase to prevent entry of blown-in insulation. Make sure insulation and other materials are secured.*

**DO NOT** notch the framing around the appliance standoffs.

*Failure to maintain air space clearance may cause overheating and fire.*

Figures 6.5 and 6.6 show how to properly position and secure appliance. Nailing tabs and installation brackets are provided to secure the appliance to the framing members.

1. Fasten exterior installation brackets (4) to appliance. Brackets can be positioned to accommodate the outer wall sheet thickness. Do not bend until near final position. See Figure 6.7.
  2. Place the appliance into position.
  3. Bend out installation brackets and nailing tabs to 90 degrees. Order may vary depending on what direction the appliance is installed from. Bend out upper nailing tabs for 1/2" wall thickness. Bend our lower nailing tabs for 5/8" wall thickness. See Figures 6.4 and 6.7.
  4. Keep nailing tabs flush with the framing.
  5. Level the appliance from side to side and front to back.
  6. Shim the appliance as necessary. It is acceptable to use wood shims underneath the appliance.
  7. Secure the appliance to the framing by using nails or screws through the nailing tabs and installation brackets. See Figures 6.5 and 6.8.
- Optional: Secure the appliance to the floor by inserting two screws through the pilot holes at the bottom of the appliance.



Figure 6.3 Nailing tabs in shipping position



Bend out upper tabs for 1/2" wall thickness

Bend out lower tabs for 5/8" wall thickness

Figure 6.4 Nailing tab bent out for installation

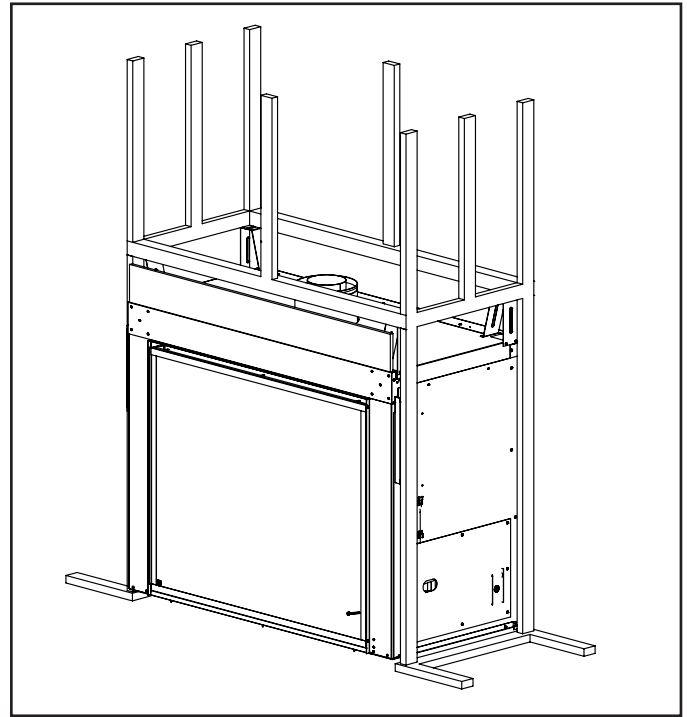


Figure 6.6 Proper positioning, leveling and securing of an appliance

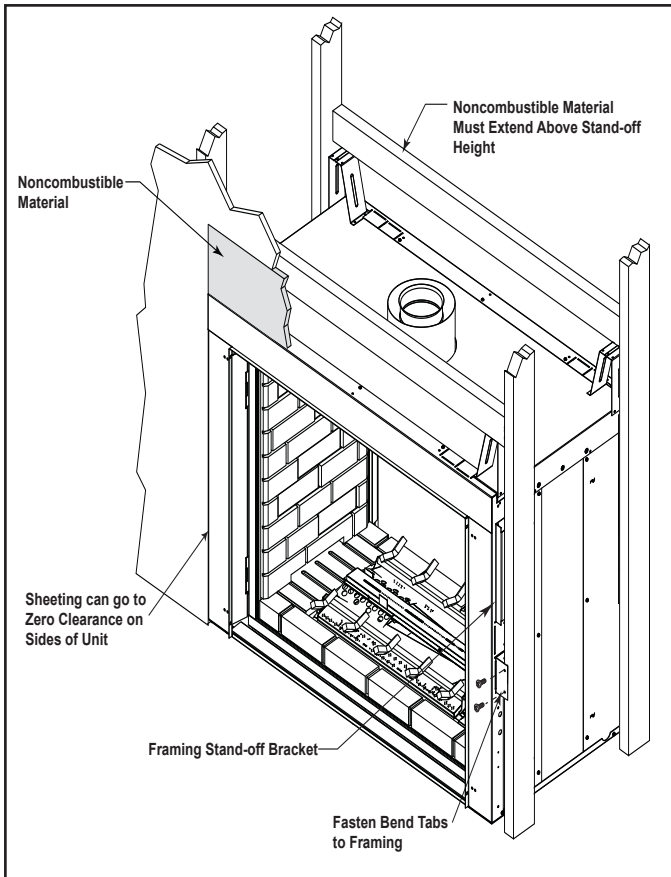


Figure 6.5 Indoor Side



Figure 6.7 Installation Bracket



Figure 6.8 Fasten installation brackets to wall framing

# 7 Venting and Chimneys

## A. Assemble Vent Sections (DVP Pipe Only)

### Attach Vent to the Firebox Assembly

**Note:** The end of the pipe sections with the lanced tabs will face toward the appliance.

Attach the first pipe section to the starting collar:

- Lanced pipe end of the starting collar.
- Inner pipe over inner collar.
- Push the pipe section until all lanced tabs snap in place.
- Lightly tug on pipe to confirm it has locked.

### Required Commercial, Multi-family (Multi-level exceeding two stories), or High-Rise Applications

All outer pipe joints must be sealed with 100% silicone (300°F minimum continuous exposure rating), including the slip section that connects directly to the horizontal termination cap.

- Apply a bead of silicone sealant (300°F minimum continuous exposure rating) inside the female outer pipe joint prior to joining sections. See Figure 7.1. **OR**

Apply a bead of silicone sealant (300°F minimum continuous exposure rating) to the outside of connecting joint after joining sections **OR**

Apply aluminum foil tape (300°F minimum continuous exposure rating) to the outside of connecting joint after joining sections. On horizontal pipe runs, it is recommended that the tape seam is positioned on the bottom side of the vent pipe.

- Only outer pipes need to be sealed. All unit collar, pipe, slip section, elbow and cap outer flues shall be sealed in this manner, unless otherwise stated.

**WARNING! Risk of Fire or Explosion! DO NOT break silicone seals on slip sections. Use care when removing termination cap from slip pipe. If slip section seals are broken during removal of the termination cap, vent could leak.**

### Assemble Pipe Sections

Per Figure 7.2:

- Start the inner pipe on the lanced end of section A into the flared end of section B.
- Start the outer pipe of section A over the outer pipe of section B.
- Once both vents sections are started, push firmly until all lanced tabs lock into place.
- Lightly tug on the pipe to confirm the tabs have locked.

It is acceptable to use screws no longer than 1/2 in. (13 mm) to hold outer pipe sections together. If predrilling holes, **DO NOT** penetrate inner pipe.

For 90° and 45° elbows that are changing the vent direction

from horizontal to vertical, one screw minimum should be put in the outer flue at the horizontal elbow joint to prevent the elbow from rotating. Use screws no longer than 1/2 in. (13 mm). If predrilling screw holes, **DO NOT** penetrate inner pipe.



Figure 7.1 High Temperature Silicone Sealant

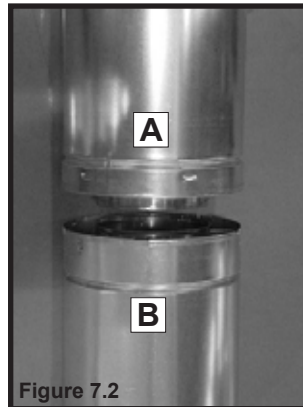


Figure 7.2

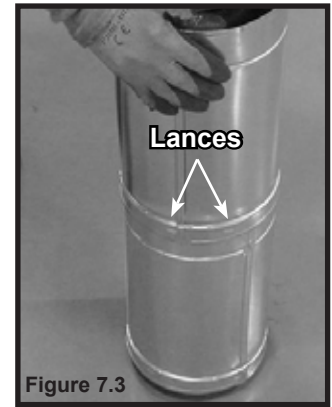
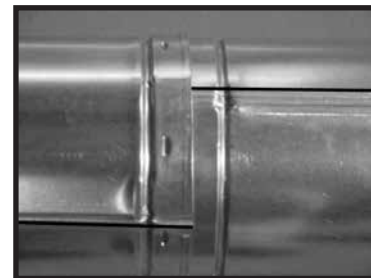
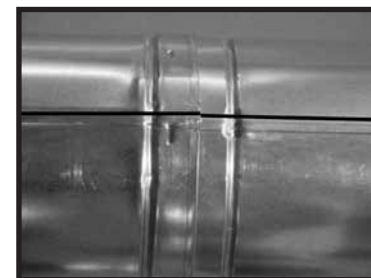


Figure 7.3

**Note:** Make sure that the seams are not aligned to prevent unintentional disconnection.



CORRECT



INCORRECT

Figure 7.4 Seams

## B. Assemble Slip Sections

- Slide the inner flue of the slip section into the inner flue of the pipe section and the outer flue of the slip section over the outer flue of the pipe section. See Figure 7.5.
- Slide together to the desired length.

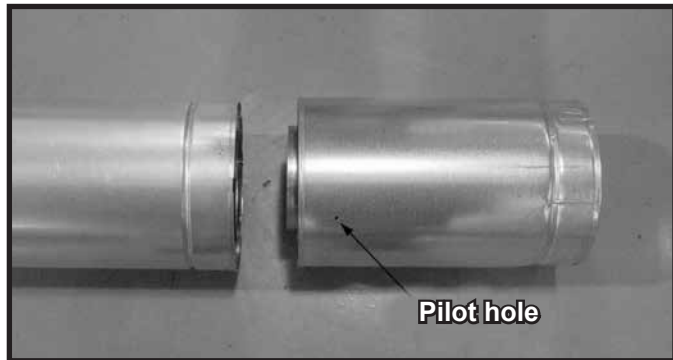


Figure 7.5 Slip Section Pilot Holes

- Maintain a 1-1/2 in. (38 mm) overlap between the slip section and the pipe section.
- Secure the pipe and slip section with two screws no longer than 1/2 in. (13 mm), using the pilot holes in the slip section. See Figure 7.6.

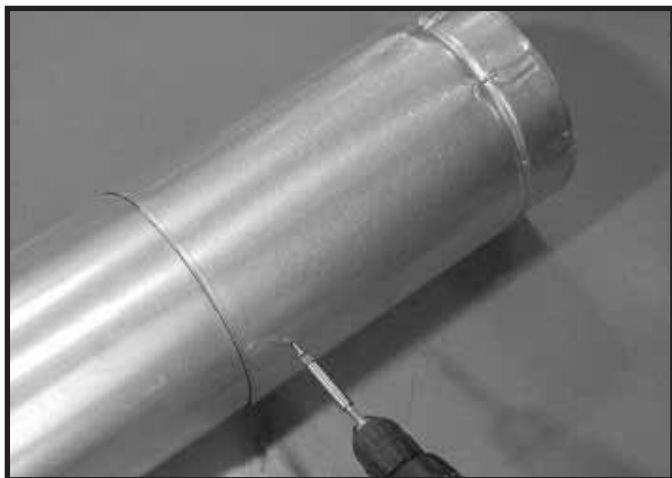


Figure 7.6 Screws into Slip Section

- Continue adding pipe as necessary following instructions in “Assembling Pipe Sections.”

**NOTICE:** If slip section is too long, the inner and outer flues of the slip section can be cut to the desired length.

**NOTICE:** When installing a vent system with an HRC termination cap, all pipe system joints shall be sealed using a high temperature silicone sealant (300°F minimum continuous exposure rating).

- Apply a bead of silicone sealant (300°F minimum continuous exposure rating) inside the female outer pipe joint prior to joining sections.
- Only outer pipes are sealed, sealing the inner flue is not required.
- All unit collar, pipe, slip section, elbow and cap outer flues shall be sealed.

## C. Secure the Vent Sections

- Vertical runs originating off the top of the appliance, with no offsets, must be supported every 8 ft. (2.44 m) after the maximum allowed 25 ft. (7.62 m) of unsupported rise.
- Vertical runs originating off the rear of the appliance, or after any elbow, must be supported every 8 ft. (2.44 m).
- Horizontal runs must be supported every 5 feet (1.52 m).
- Vent supports or plumbers strap (spaced 120° apart) may be used to support vent sections. See Figures 7.7 and 7.8.
- Wall shield firestops may be used to provide horizontal support to vent sections.
- SLP ceiling firestops have tabs that may be used to provide vertical support.

**WARNING! Risk of Fire, Explosion or Asphyxiation!** Improper support could allow vent to sag and separate. Use vent run supports and connect vent sections per installation instructions. **DO NOT** allow vent to sag below connection point to appliance.

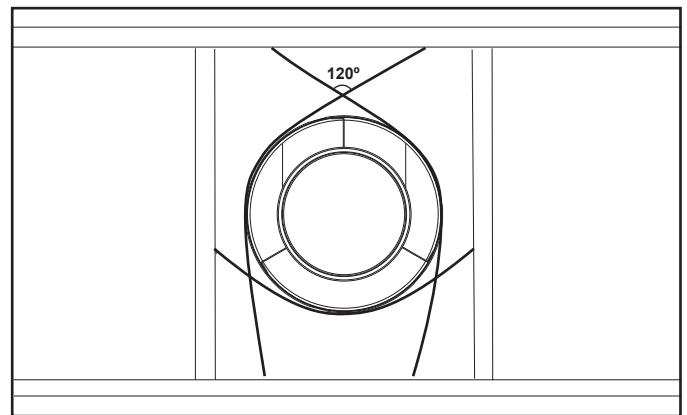


Figure 7.7 Securing Vertical Pipe Sections

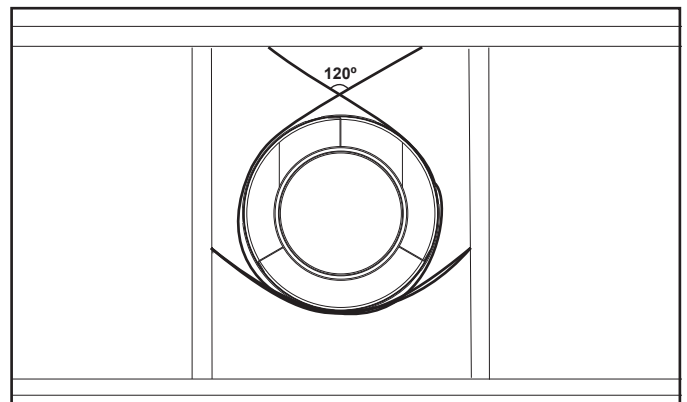


Figure 7.8 Securing Horizontal Pipe Sections

## D. Disassemble Vent Sections

- Rotate either section (see Figure 7.9) so the seams on both pipe sections are aligned as shown in Figure 7.10.
- Pull carefully to separate the pieces of pipe.

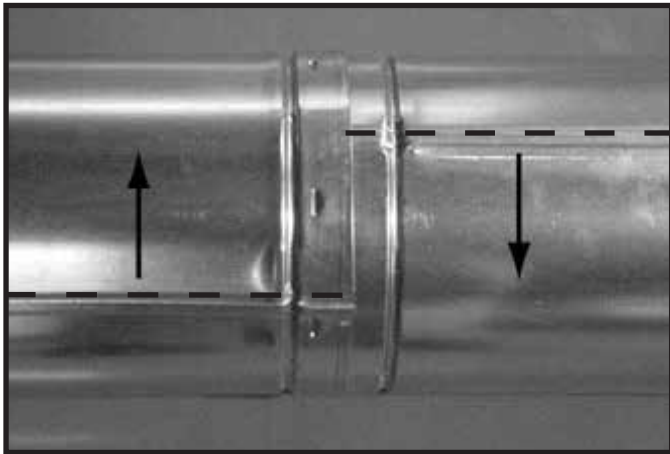


Figure 7.9 Rotate Seams for Disassembly

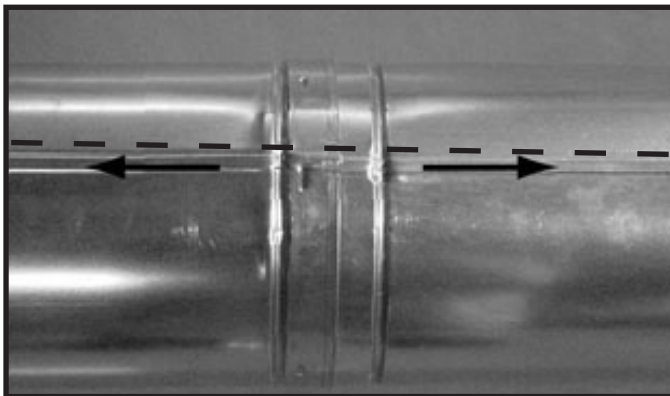
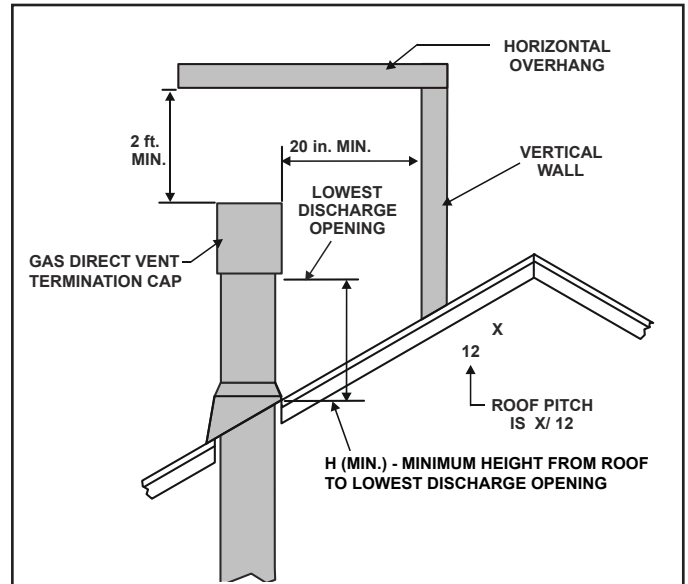


Figure 7.10 Align and Disassemble Vent Sections

## E. Vertical Termination Requirements

### Install Metal Roof Flashing

- See minimum vent heights for various pitched roofs (Figure 7.11) to determine the length of pipe to extend through the roof.
- Slide the roof flashing over the pipe sections extending through the roof as shown in Figure 7.12.



Roof Pitch	H (Min.) Ft.
Flat to 6/12.....	1.0*
Over 6/12 to 7/12.....	1.25*
Over 7/12 to 8/12.....	1.5*
Over 8/12 to 9/12.....	2.0*
Over 9/12 to 10/12.....	2.5*
Over 10/12 to 11/12.....	3.25
Over 11/12 to 12/12.....	4.0
Over 12/12 to 14/12.....	5.0
Over 14/12 to 16/12.....	6.0
Over 16/12 to 18/12.....	7.0
Over 18/12 to 20/12.....	7.5
Over 20/12 to 21/12.....	8.0

\* H minimum may vary depending on regional snowfall. Refer to local codes.

Figure 7.11 Minimum Height From Roof to Lowest Discharge Opening

**NOTICE:** Failure to properly caulk the roof flashing and pipe seams could permit entry of water.

- Caulk the gap between the roof flashing and the outside diameter of the pipe.
- Caulk the perimeter of the flashing where it contacts the roof surface. See Figure 7.13.
- Caulk the overlap seam of any exposed pipe sections that are located above the roof line.

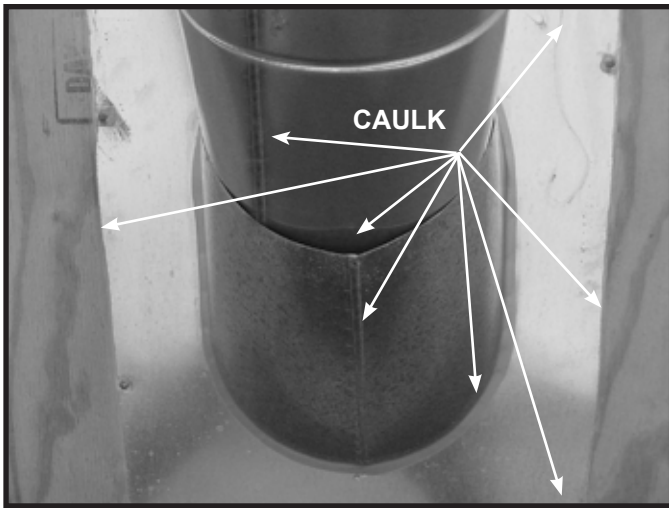


Figure 7.12

### Assemble and Install Storm Collar

**CAUTION! Risk of Cuts, Abrasions or Flying Debris.** Wear protective gloves and safety glasses during installation. Sheet metal edges are sharp.

- Slide the storm collar onto the exposed pipe section and align brackets.
- Insert a bolt (provided) through the brackets and install nut. Do not completely tighten.



Figure 7.13 insert Bolt into Brackets

- Slide the assembled storm collar down the pipe section until it rests on the roof flashing (see Figure 7.13).
- Tighten nut and make sure the collar is tight against the pipe section.
- Caulk around the top of the storm collar. See Figure 7.14.

### Install Vertical Termination Cap

- Attach the vertical termination cap by sliding the inner collar of the cap into the inner flue of the pipe section while placing the outer collar of the cap over the outer flue of the pipe section.
- Secure the cap by driving three self-tapping screws (supplied) through the pilot holes in the outer collar of the cap into the outer flue of the pipe (see Figure 7.14).

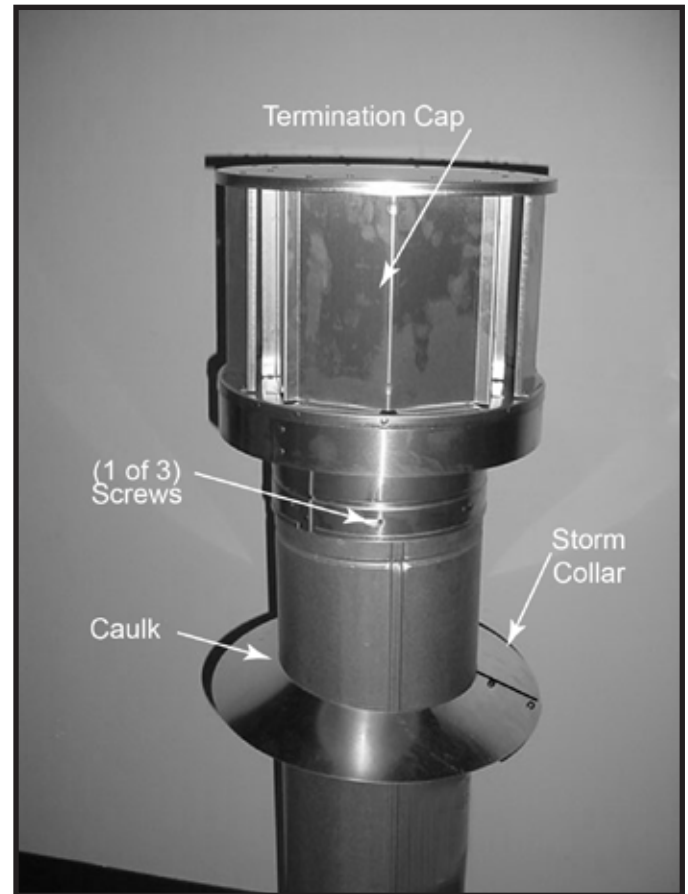


Figure 7.14

## F. Horizontal Termination Requirements

### Heat Shield Requirements for Horizontal Termination

**WARNING! Risk of Fire!** To prevent overheating and fire, heat shields must extend through the entire wall thickness.

- **DO NOT** remove the heat shields attached to the wall shield firestop and the horizontal termination cap (shown in Figure 7.15).
- Heat shields must overlap 1-1/2 in. (38 mm) minimum.

There are two sections of the heat shield. One section is factory-attached to the wall shield firestop. The other section is factory-attached to the cap. See Figure 7.15.

If the wall thickness does not allow the required 1-1/2 in. (38 mm) heat shield overlap when installed, an extended heat shield must be used.

- If the wall thickness is less than 4 in./102 mm (DVP) or 4-3/8 in./ 111 mm (SLP), the heat shields on the cap and wall shield firestop must be trimmed. A minimum 1-1/2 in. (38 mm) overlap MUST be maintained.
- Use an extended heat shield if the finished wall thickness is greater than 7-1/4 in. (184 mm).
- The extended heat shield may need to be cut to length maintaining sufficient length for a 1-1/2 in. (38 mm) overlap between heat shields.
- Attach the extended heat shield to either of the existing heat shields using the screws supplied with the extended heat shield. Refer to vent components diagrams in the back of this manual.
- Rest the small leg on the extended heat shield on top of the pipe section to properly space it from the pipe section.

**Important Notice:** Heat shields may not be field constructed.

## Install Horizontal Termination Cap

**WARNING! Risk of Fire!** The telescoping flue section of the termination cap MUST be used when connecting vent.

- 1-1/2 (38 mm) minimum overlap of flue telescoping section is required.

*Failure to maintain overlap could cause overheating and fire.*

- Vent termination must not be recessed in the wall. Siding may be brought to the edge of the cap base.
- Flash and seal as appropriate for siding material at outside edges of cap.
- When installing a horizontal termination cap, follow the cap location guidelines as prescribed by current **ANSI Z223.1** and **CAN/CGA-B149** installation codes and refer to Section 4 of this manual.

**CAUTION! Risk of Burns!** Local codes may require installation of a cap shield to prevent anything or anyone from touching the hot cap.

**NOTICE:** When penetrating a brick wall, a brick extension kit is available for framing the brick.

# 8 Electrical Information

## A. General Information

**WARNING! Risk of Shock or Explosion! DO NOT** wire 110-120 VAC to the valve or to the appliance wall switch. Incorrect wiring will damage controls.

**NOTICE:** This appliance must be electrically wired and grounded in accordance with local codes or, in the absence of local codes, with **National Electric Code ANSI/NFPA 70-latest edition or the Canadian Electric Code CSA C22.1.**

- Wire the appliance junction box to unswitched 110-120 VAC. This is required for proper operation of the appliance (Intellifire ignition).
- A 110-120 VAC circuit for this product must be protected with ground-fault circuit-interrupter protection, in compliance with the applicable electrical codes, when it is installed in locations such as in bathrooms or near sinks.
- Low voltage and 110-120 VAC voltage cannot be shared within the same wall box.

## Junction Box Installation

- Pull the electrical wires from outside the appliance through the opening into the valve compartment and secure wires with a Romex connector. See Figure 8.1.
- Make all necessary wire connections to the junction box/receptacle and reattach the junction box/receptacle to the outer shell.

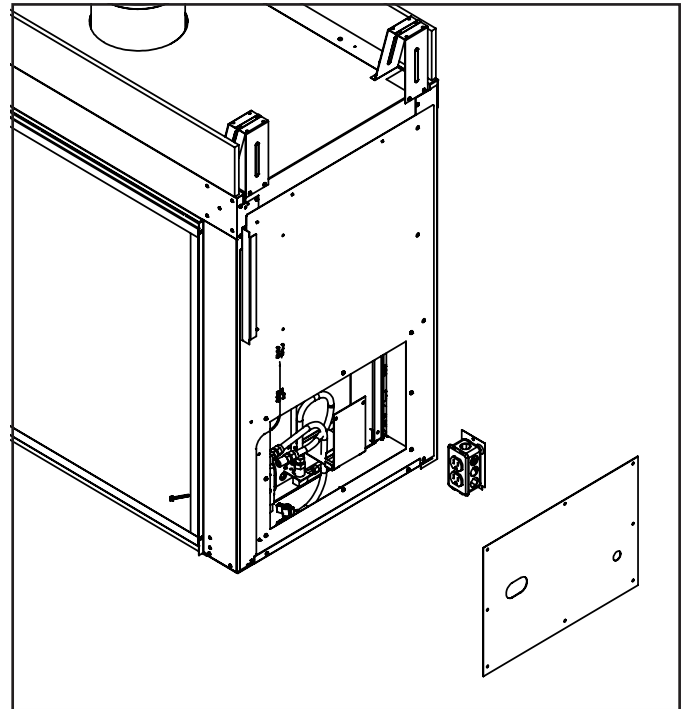


Figure 8.1 Junction Box Detail

## Accessories Requirements

- This appliance may be used with a wall switch, wall mounted thermostat and/or a remote control.

Wiring for optional Hearth & Home Technologies approved accessories should be done now to avoid reconstruction. Follow instructions that come with those accessories.

## Electrical Service and Repair

**WARNING! Risk of Shock!** Label all wires prior to disconnection when servicing controls. Wiring errors could cause improper and dangerous operation. Verify proper operation after servicing.

**WARNING! Risk of Shock!** Replace damaged wire with type 105° C rated wire. Wire must have high temperature insulation.

## B. Wiring Requirements

### Intellifire™ Touch Ignition System Wiring

- Wire the appliance junction box to 110-120 VAC for proper operation of the appliance.

**WARNING! Risk of Shock or Explosion! DO NOT** wire IFT controlled appliance junction box to a switched circuit. Incorrect wiring will override IFT safety lockout.

- Refer to Figure 8.3 or 8.4, IFT Wiring Diagram.
- This appliance is equipped with an Intellifire™ Touch control valve which operates on a 6 volt/1.5 AMP system.
- Plug the 6 volt transformer plug into the appliance junction box to supply power to the unit OR install 4 AA cell batteries (not included) into the battery pack before use.

**NOTICE:** Batteries should only be used as a power source in the event of an emergency power outage. Batteries should not be used as a primary long-term power source. Battery polarity must be correct when installing batteries. When using batteries as a power source, the 6-volt transformer must be unplugged from the receptacle.

Do not store batteries in the battery pack when the appliance is powered by the 6 volt transformer connected to permanent electrical service.

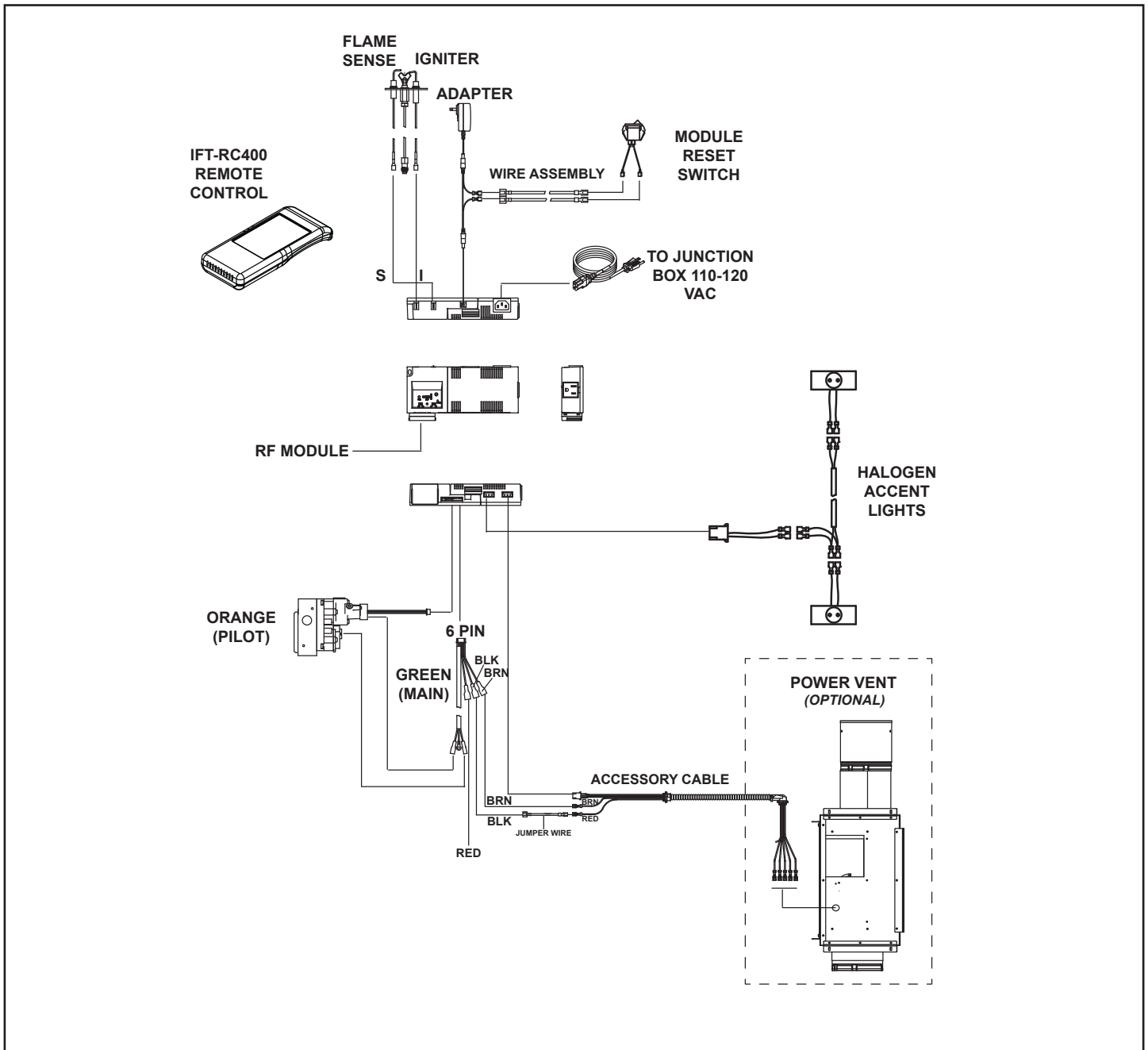


Figure 8.3 IFT Wiring Diagram

# 9 Gas Information

## ⚠ WARNING



Risk of Fire! Risk of Explosion! Risk of Asphyxiation!

Follow all instructions and warnings for installing and servicing gas line.



- Gas line installation and service must be performed by a qualified installer or licensed plumber in accordance with all applicable codes for the installation location (NFPA 54 / ANSI Z223.1, the current International Fuel Gas Code, or CAN/CSA B149 in Canada) (In the Commonwealth of Massachusetts installation must be performed by a licensed plumber or gas fitter).

- Check all fittings and connections by means of a listed combustible gas detector, a noncorrosive leak detection fluid, or other approved leak detection method. **DO NOT** use open flame.

## ⚠ WARNING



Risk of Fire! Risk of Explosion!

Pressure exceeding 1/2 PSIG (14 in. w.c. / 3.5 kPa) will damage gas valve control.



- Disconnect appliance and its manual shutoff valve **BEFORE** line pressure testing.
- Cap outlet on piping system at appliance connection **BEFORE** line pressure testing.
- Connect appliance **AFTER** confirming piping system pressure is equal or less than 1/2 PSIG (14 in. w.c. / 3.5 kPa).

### A. Fuel Conversion

- Make sure the appliance is compatible with available gas types.
- Conversions must be made by a qualified service technician using Hearth & Home Technologies specified and approved parts.

### B. Gas Pressure

- Install pressure regulator upstream of gas valve if line inlet pressure exceeds 1/2 PSIG.
- Recommended inlet pressure for optimal appliance performance: 7.0 in. w.c. (NG) 12.0 in. w.c. (Propane)
- Verify inlet pressure is within specified range, including when other household gas appliances are operating.
- Pressure requirements when in operation are:

Gas Pressure	Natural Gas	Propane
Minimum inlet pressure	5.0 in. w.c.	11.0 in. w.c.
Maximum inlet pressure	10.0 in. w.c.	13.0 in. w.c.
Manifold pressure	3.5 in. w.c.	10.0 in. w.c.

**Note:** A listed (and Commonwealth of Massachusetts approved) 1/2 in. (13 mm) T-handle manual shut-off valve and flexible gas connector are connected to the 1/2 in. (13 mm) control valve inlet.

- If substituting for these components, please consult local codes for compliance.**

### C. Gas Connection and Gas Line Purging

## ⚠ WARNING



Risk of Fire! Risk of Explosion!

Gas buildup during line connection and purging could ignite.



- Support gas control when attaching pipe to prevent bending gas line.

- Gas line installation and purging of the gas fuel line **MUST** be performed by a qualified service technician or a licensed plumber in accordance with the applicable gas code for the installation location (NFPA 54 / ANSI Z223.1, the current International Fuel Gas Code, or CAN/CSA B149 in Canada).

- Use a listed combustible gas detector, a noncorrosive leak detection fluid, or other approved leak detection method to check all fittings and connections for gas leaks before lighting the appliance.
- Ensure ventilation
- Eliminate ignition sources, such as sparks or open flames.

- Refer to Section 16.A for location of gas line access in appliance.
- The two shipping supports in the front of the fireplace (refer to Section 14) should be removed to allow easier access for connecting the gas line. Discard the supports.
- Pipe incoming gas line into appliance firebox area.
- The gap between supply piping and gas access hole may be caulked with caulk with a minimum of 300°F continuous exposure rating or stuffed with non-combustible, unfaced insulation to help prevent cold air infiltration.
- Ensure that gas line does not come in contact with outer wrap of the appliance. Follow local codes.
- Connect incoming gas line to the 1/2 in. (13 mm) connection on manual shutoff valve.
- A small amount of air will be in the gas supply line and must be purged. Light the appliance to allow air to purge through the pilot assembly.

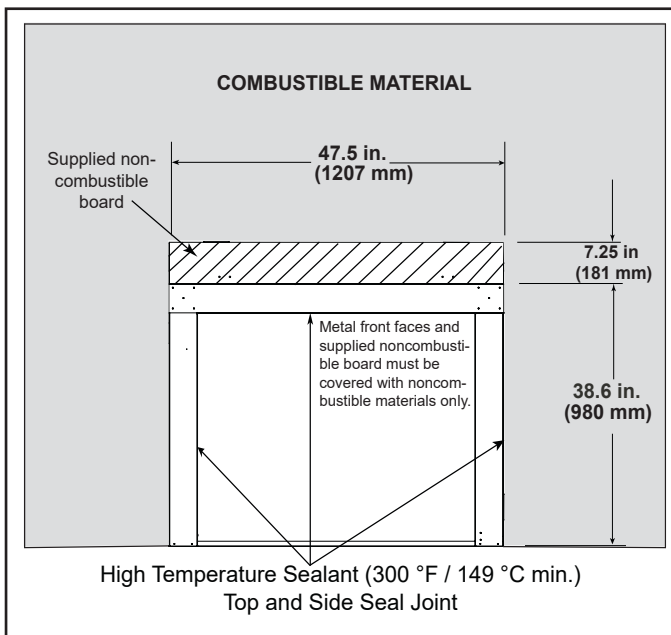
# 10 Finishing - Final Installation

## A. Facing Material

- Metal front faces may be covered with non-combustible materials only.
- Facing and/or finishing materials must not interfere with air flow through louvers, operation of louvers or doors, or access for service.
- Facing and/or finishing materials must never overhang into the glass opening.
- Observe all clearances when applying combustible materials.
- Seal joints between the finished wall and appliance top and sides using a 300 °F minimum sealant. Refer to Figure 10.1.

**WARNING! Risk of Fire! DO NOT** apply combustible materials beyond the minimum clearances. Comply with all minimum clearances to combustibles as specified in this manual. Overlapping materials could ignite and will interfere with proper operation of doors and louvers.

**NOTICE:** Surface temperatures around the appliance will become warm while the appliance is in operation. Ensure finishing materials used for all surfaces (floor, walls, mantels, etc.) will withstand temperatures up to 190 °F.



► Figure 10.1 Non-combustible Facing Diagram (Indoor Side)

1. Install facing material to overlap the face of the fireplace by at least 3/4 in. (19 mm), apply high temp weather adhesive sealant between the face of the fireplace and the facing material to ensure the fireplace is sealed from the weather outside following the parameters in Figure 10.2.

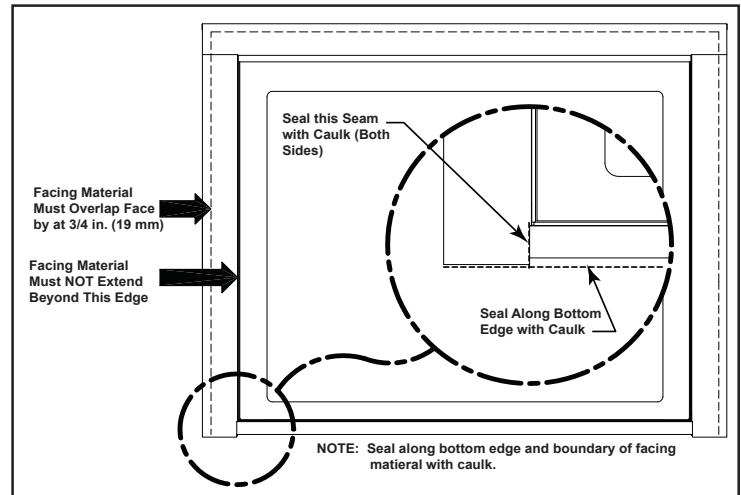


Figure 10.2

2. Install wall sheeting around the fireplace. Sheeting can go to zero clearance on sides of the fireplace and on top of the metal flashing.

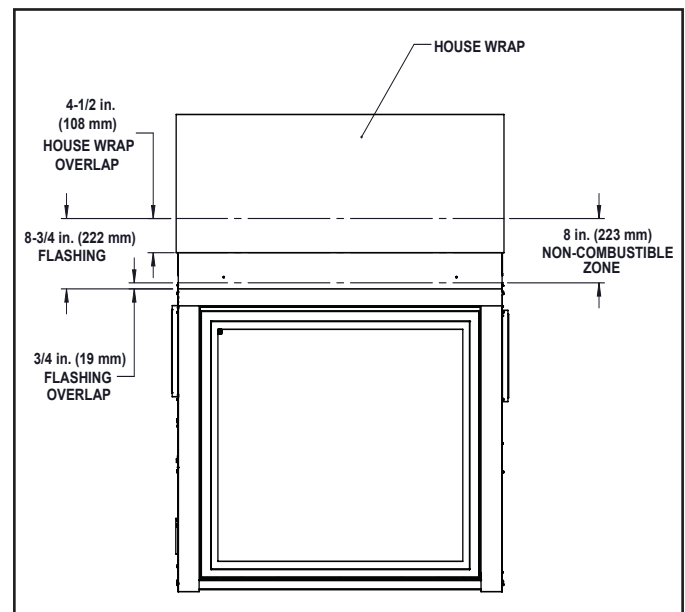
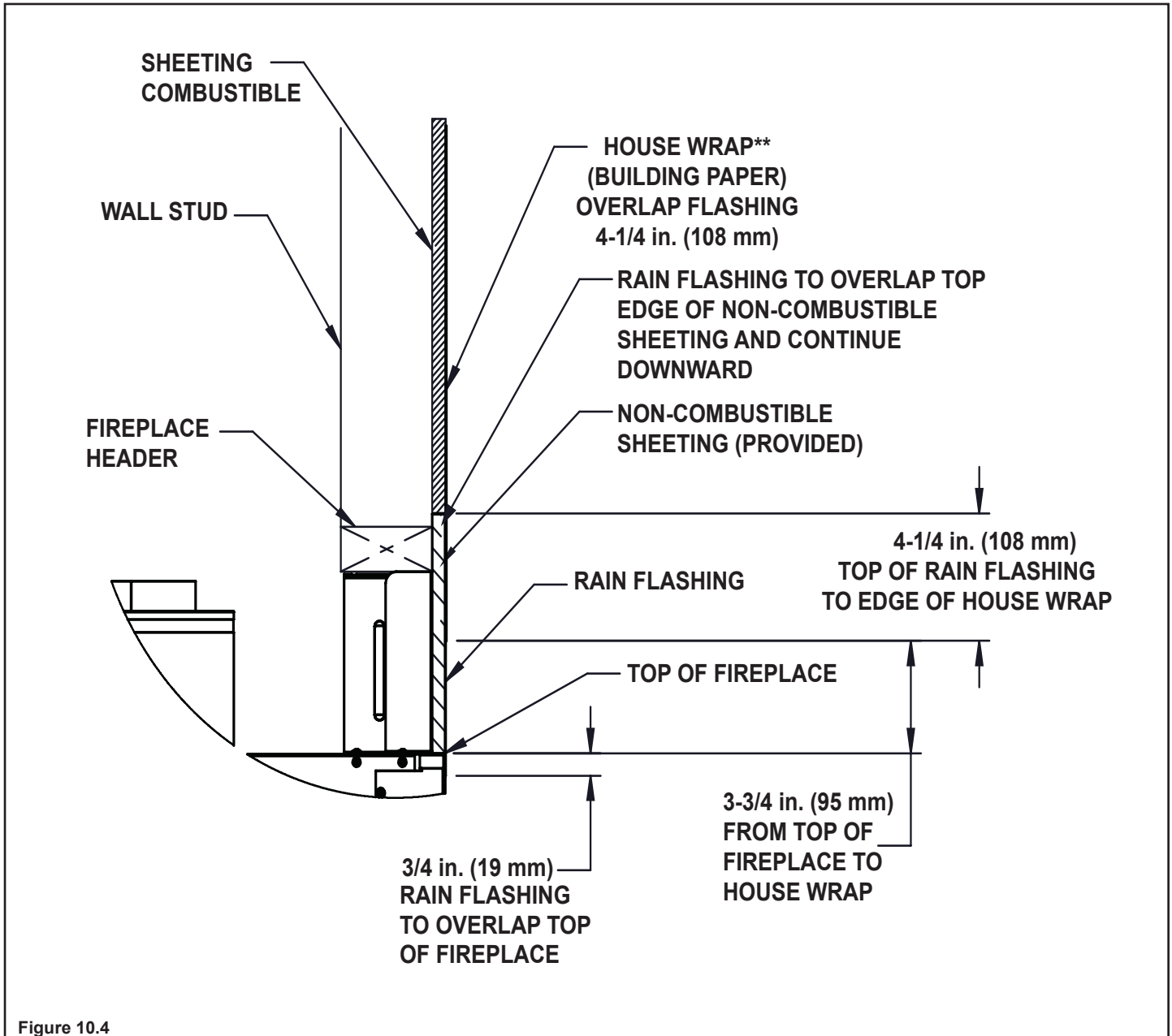


Figure 10.3 Exterior Side

3. For placement of house wrap or building paper and tape see Figure 10.3. Special care should be taken when choosing building materials or weatherproofing (i.e. buiding wraps, sealant tapes, liquid sealants, rubberized flashings, etc.). All sealant materials or building wraps installaed must be approved to a minimum temperature of 225 °F (124 °C) continuous exposure. Consult the material's manufacturer to ensure product compliance.

**CAUTION:** The house wrap should not come any lower than 4-1/4 in. (6 mm) below the bend on the metal flashing. See Figure 10.4.

4. Install facing material to overlap the fireplace by at least 3/4 in. (19 mm), apply high temp weather adhesive sealant around the perimeter of the facing material and the fireplace. Also seal along the bottom edge of the fireplace. See Figure 10.2.



## Glass Frame Removal (Interior Side)

**NOTE:** You must first remove the Safety Barrier Screen before you remove the glass frame. To remove the barrier, lift up and pull out until the tabs are clear of their corresponding slots on the firebox. Then proceed to remove the glass frame by:

1. Remove the plate located in front of the glass at the bottom.
2. Rotate the access doors on the right and left side of the glass toward the glass.
3. Remove glass frame by releasing the three latches located at the top of the firebox. Tilt glass away from the unit, lift glass frame up and away from the unit. See Figure 10.5.

**CAUTION**

Each clamp has a quick spring force. When reinstalling clamps, keep fingers clear.

**! DANGER**

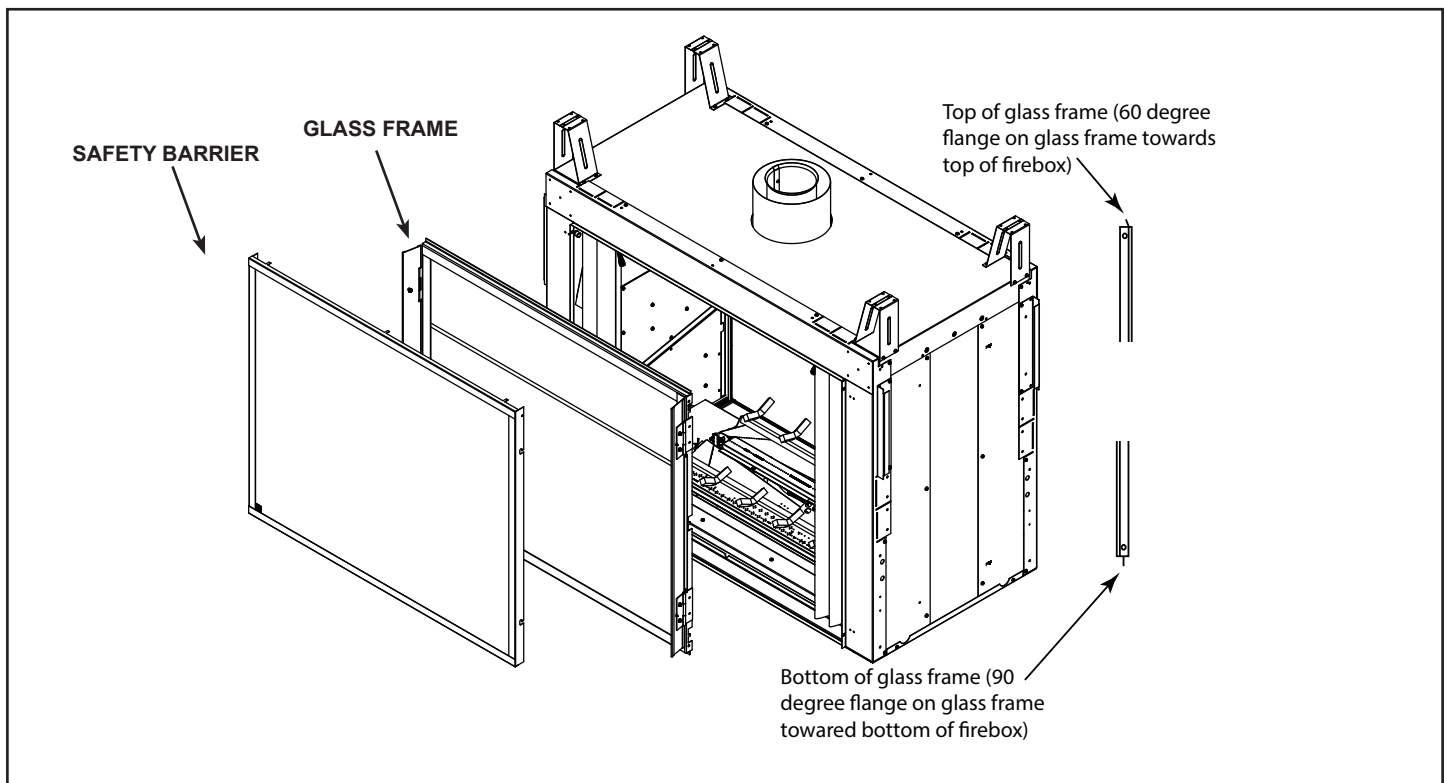


**HOT GLASS WILL CAUSE BURNS.**

**DO NOT TOUCH GLASS UNTIL COOLED.**

**NEVER ALLOW CHILDREN TO TOUCH GLASS.**

A barrier designed to reduce the risk of burns from the hot viewing glass is provided with this appliance and must be installed for the protection of children and other at-risk individuals.



**Figure 10.5 Remove Safety Barrier and Glass Frame**

## Glass Frame Removal (Outdoor Side)

1. Remove the top trim at the top of the stainless steel outdoor face see Figure 10.6.
2. Remove the stainless steel screen face by lifting up and out. See Figure 10.6.
3. Remove exterior glass door assembly by unfastening the top four machine bolts, the two side bolts and the two bottom corner bolts. Loosen the two middle bottom bolts but do not remove total to help support the assembly. See Figure 10.6.
4. Lift glass frame assembly up and out.
5. Remove the stainless steel inner frame by unfastening the two machine bolts at the bottom and the ten stainless steel screws that secure the inner frame to the stainless steel face. Pull the inner frame out. See Figure 10.6.
6. Remove the inner glass frame by releasing the three latches located at the top of the firebox. Tilt glass frame away from the unit. Lift the glass frame up and away from the unit. See Figure 10.6.

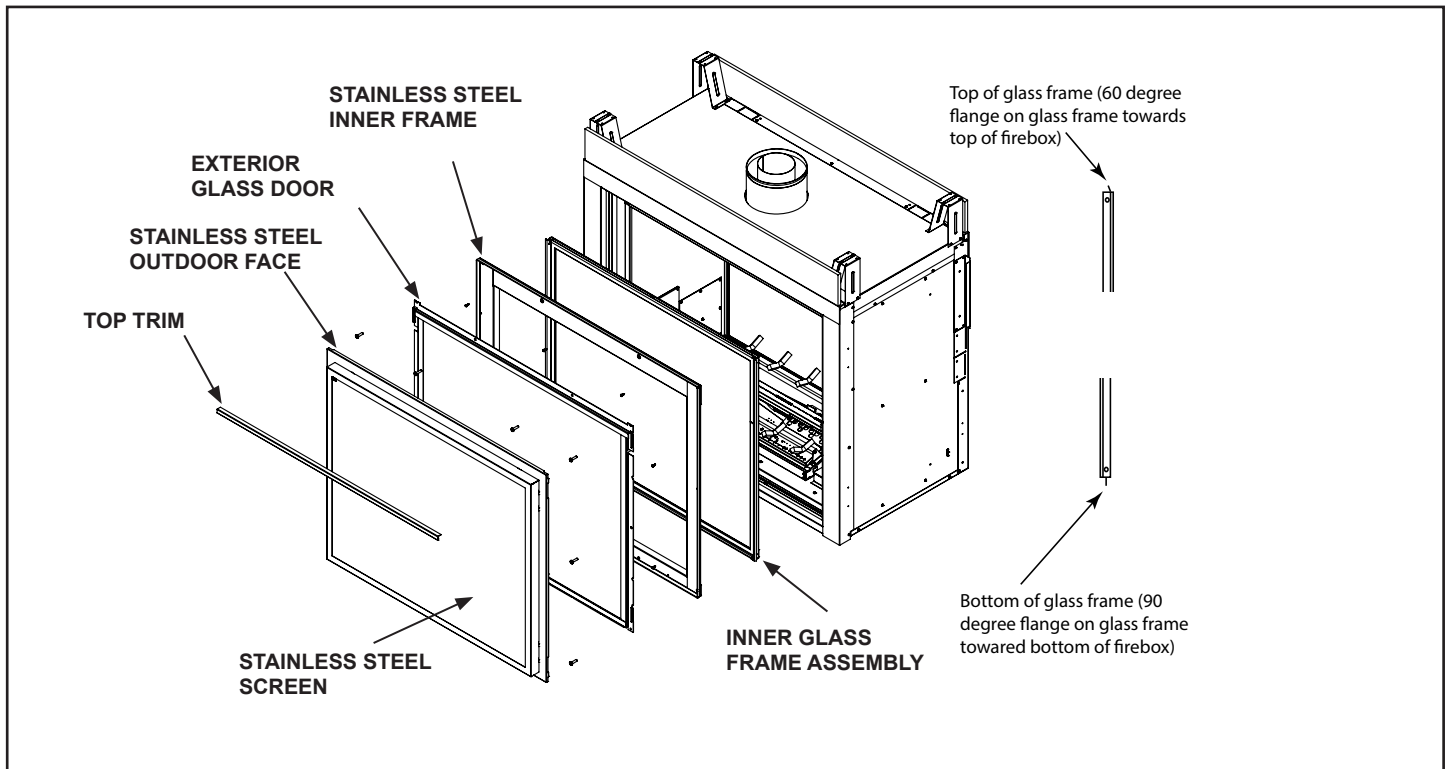


Figure 10.6 Remove Safety Barrier and Glass Frame

## Light Installation

1. Remove barrier screen by lifting up and out.
2. Remove glass frame assembly by unlatching the three latches at the top of the firebox. Tilt the glass up and out.
3. Remove the five (5) screws securing each light box and remove from the unit Figure

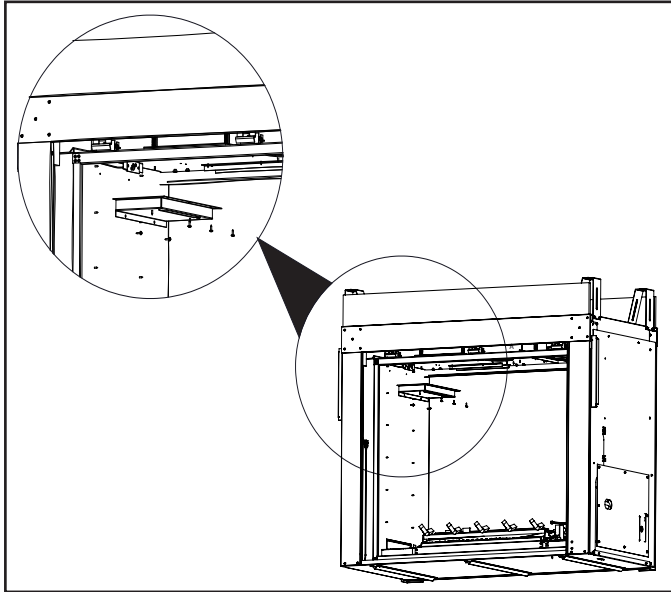


Figure 10.7 Light Box Removal

3. The light bulbs are included in the Homeowner's Manual packet. Install the light bulbs into bulb sockets as shown in Figure 10.7. **CAUTION:** Finger prints or the transfer of oil from hands will reduce the lifespan of the bulbs. It is advisable to handle the light bulbs with a clean cloth.
4. The light lenses, lens retainer brackets and screws are included in the Homeowner's Manual packet. Install the light lenses into the light cover box and secure with the lens retainer brackets and screws as shown in Figure 10.8.

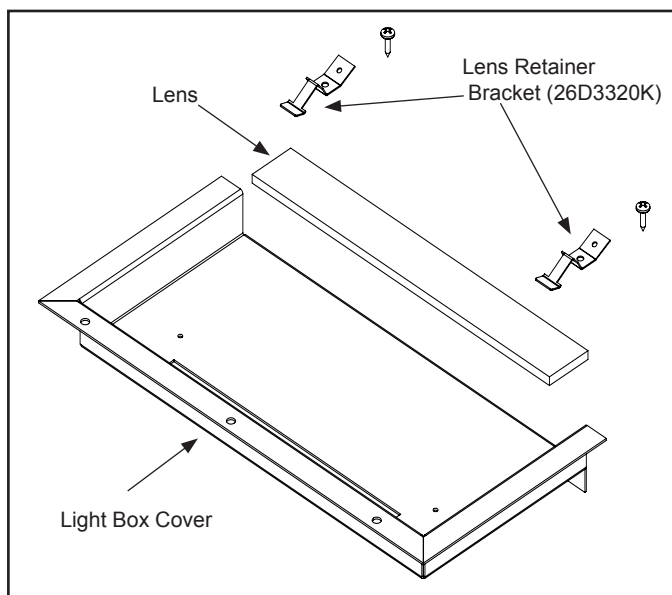


Figure 10.8 Lense Retainer Bracket Removal

## Brick Installation

1. It is easier to remove the grate on the outdoor side from inside of the unit in order to be able to place the two hearth brick in place by unfastening the two screws that secure the grate. Replace the grate after brick are installed.
2. Install the four (4) hearth brick pieces, two on each side of the unit, in front of the burners from the indoor side.
3. Place the floor brick panels on the brick supports between the hearth bricks.

**Note: Wall bricks are different, the combustion air side has cut out at the bottom.**

4. Place the wall brick panels against the firebox walls, setting on the floor and hearth bricks. The wall brick will be held in place by the refractory retainer bracket. See Figure 10.9A/B. The refractory retainer bracket are in the install hardware pack.
5. The brick retainer tab can be bent to a different angle to hold the wall brick panels in place more firmly if necessary.

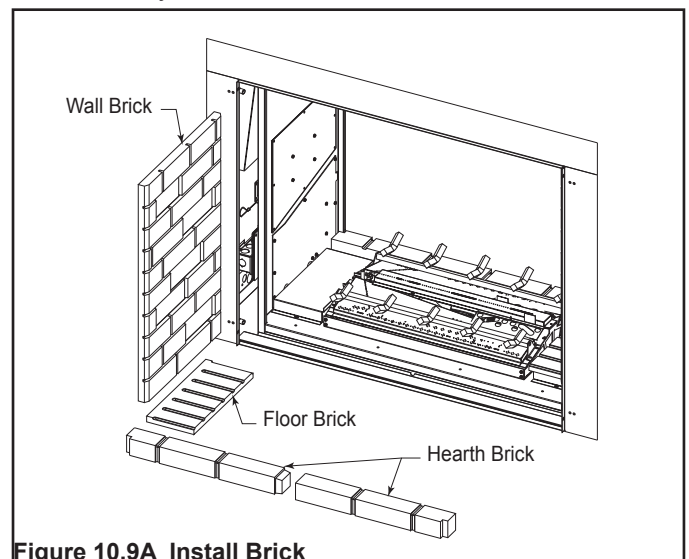


Figure 10.9A Install Brick



Figure 10.9B Install Refractory Retainer Bracket

## Rock Wool Placement

Place rock wool evenly in dime-sized pieces over front and rear burner both in front and behind rear grate. For the middle burner, place the rock wool only on the carry-over areas between the flames. To better enable the gas to permeate the rock wool, apply the rock wool in light, fluffy pieces.

### **▲ WARNING**

**Do not use the entire bag of rock wool to cover the burner. This could cause the flame to burn poorly and may lead to sooting.**

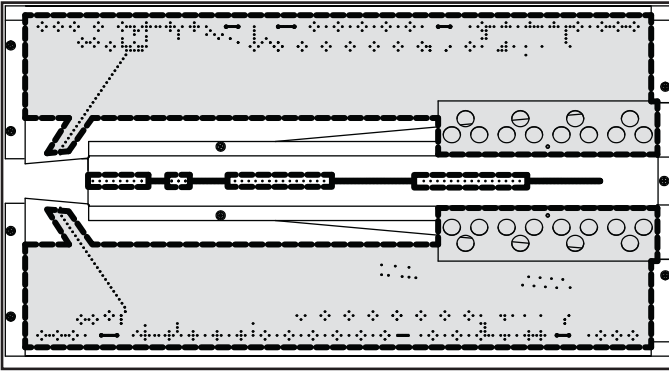


Figure 10.10 Rockwool placement

## B. Log Placement Instructions

**NOTE: LOG PLACEMENT INSTRUCTIONS ARE FROM THE INDOOR SIDE OF THE FIREPLACE.**

1. Facing the indoor side of the fireplace and holding log #1 in your right hand with the widest end of the log toward you. Place the log over the pilot, making sure to locate notches in log over the first grate tine from right on the far side and the first two grate tines from the right on the closest side of the fireplace.



Figure 10.11

2. While holding log #2 in your left hand with the wide end of the log away from you and the flat edge on the bottom left, place the log over the left end of all three burners, making sure to align the notches in the log with the first grate tine from the left on both the far side and the closest rear grates.

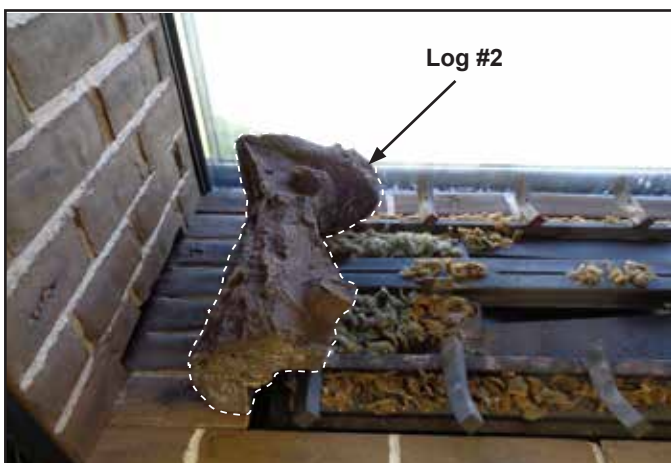


Figure 10.12

3. Hold log #3 with the fat end to the left and the narrow end to your right. Place the log over the lug on the top of log #2 closest to the outside making sure to align the bump on the narrow end against the inside edge of the

second tine from the right. Position log with the inside face of the log perpendicular to the middle burner. Slide log to the right, there will be a slight gap between the right end of the log and log #1 (about 3/8 inch.)

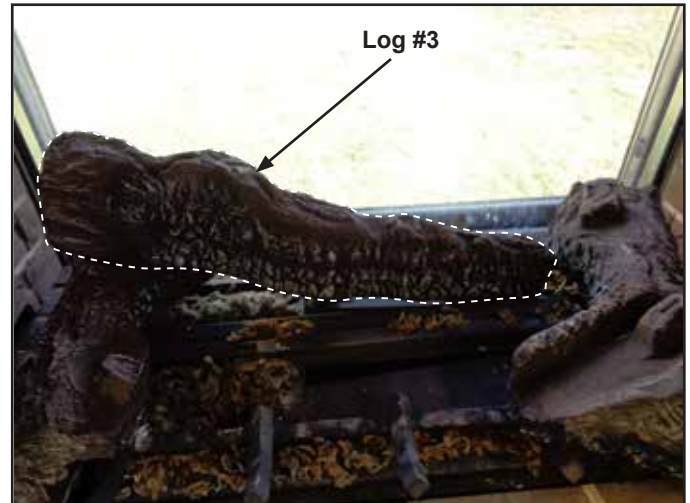


Figure 10.13

4. Holding log #4 in your right hand with the narrow end down, place the log on the lug of log #1 that is toward the outside. Make sure to locate the notch at the narrow end of the log over the third grate tine from the right. The inside edge facing you of the log should rest against log #3.

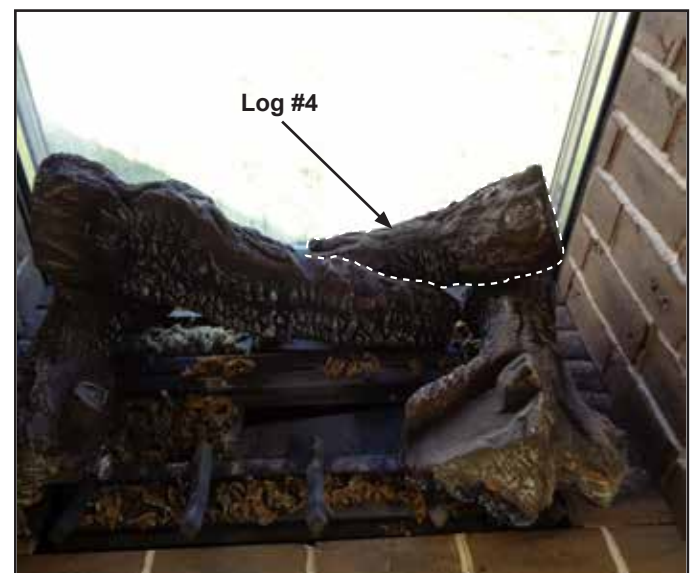


Figure 10.14

5. Hold log # 5 in your right hand with the knots at each end of the log facing you and the notched end on your left, place the log on the lug on the top of log #1 with the notch in the bottom of the log resting on the third grate tine from the right.

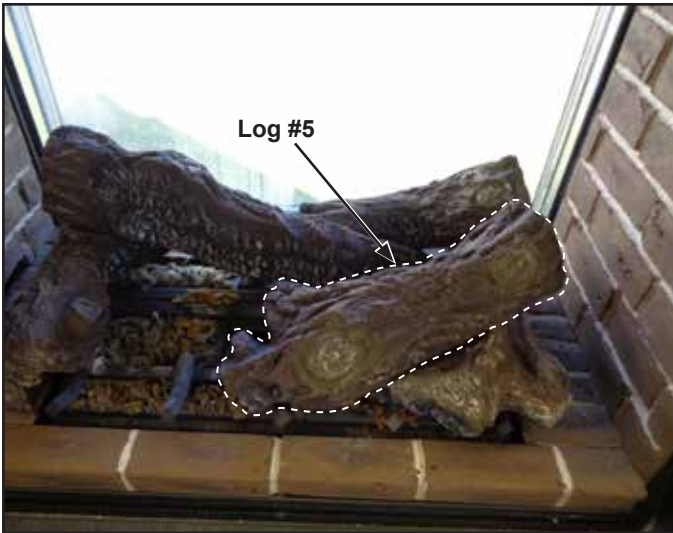


Figure 10.15

6. Hold log #6 in your left hand with the narrow cut end of the “Y” toward you and pointing up. Place the log on the lug on the top of log #2 with the bottom of the log resting securely on top of the second grate tine from the left creating a “V” shape with log #5.

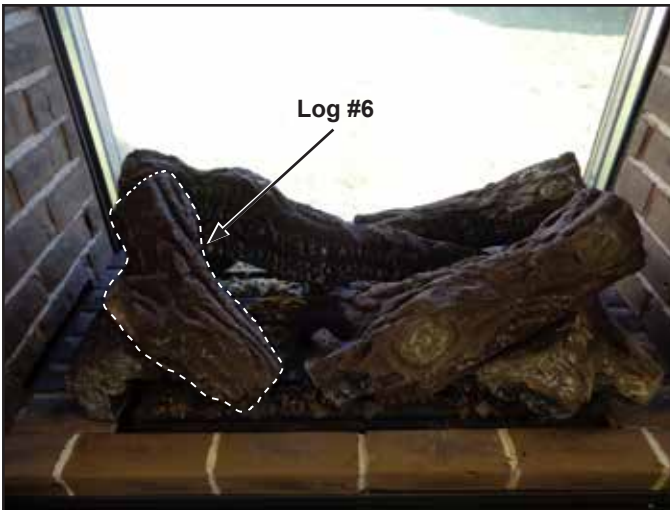


Figure 10.16

7. Hold log #7 with the “Y” pointing away from you and place the log seated firmly on the lug located on the top of log #3. This log should be positioned 2 to 2-1/2 inches above the burner.

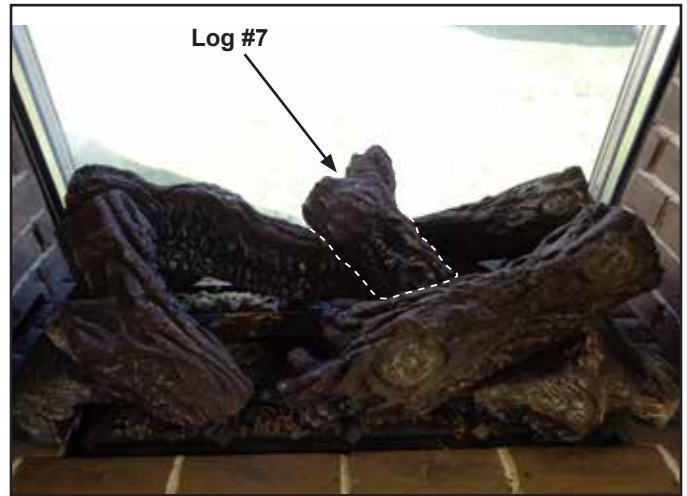


Figure 10.17

8. Hold log #8 with the narrow end away from you and place on the key located on the narrow end of log #5. Make sure to rest the narrow end of log #8 on the bracket nearest to you on the middle burner.



Figure 10.18

# CERTIFIED SAFETY BARRIER

## Safety Barrier Installation Instructions

**NOTE:** A barrier designed to reduce the risk of burns from the hot viewing glass is provided with this appliance and shall be installed for the protection of children and other at risk individuals. If the barrier becomes damaged, the barrier shall be replaced with the manufacturer's barrier for this appliance.\* Any safety screen, guard, or barrier removed for servicing the appliance must be replaced prior to operating the appliance.

\* See parts list for model number.

1. Remove screen from packaging.
2. Align the four slots on the sides of the screen frame (two top, two bottom) *Figure 10.19* with the corresponding shoulder bolts on the firebox *Figure 10.19*.
3. Slide the screen down onto the shoulder bolts until it fits securely in place.
4. Repeat on other side.

**NOTICE:** It is the responsibility of the installer to ensure the barrier is affixed to the fireplace at the time of installation.

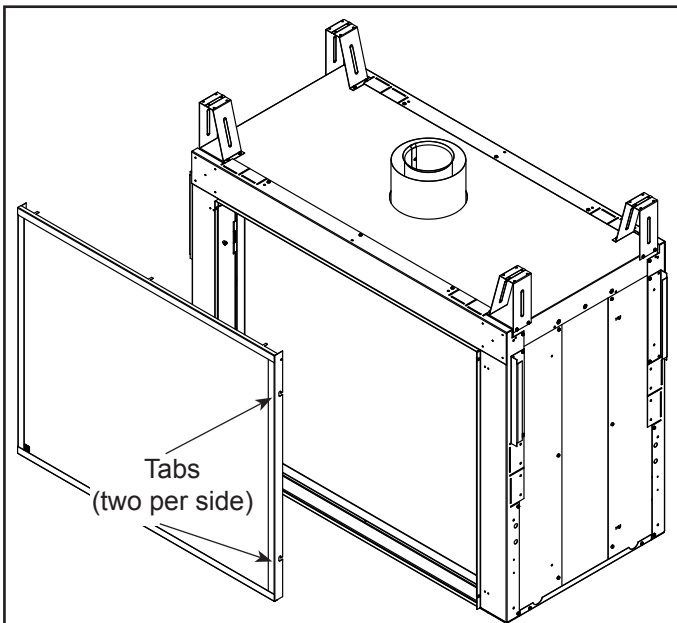




Figure 10.19



# DANGER




**HOT GLASS WILL  
CAUSE BURNS.**

**DO NOT TOUCH GLASS  
UNTIL COOLED.**

**NEVER ALLOW CHILDREN  
TO TOUCH GLASS.**

A barrier designed to reduce the risk of burns from the hot viewing glass is provided with this appliance and shall be installed for the protection of children and other at risk individuals.

20306543



**WARNING: The safety screen barrier must be installed after the glass front is in place. It is NOT a replacement for the glass and the unit must NOT be operated without the glass in place.**

# 11 Reference Materials

## A. Vent Components Diagrams

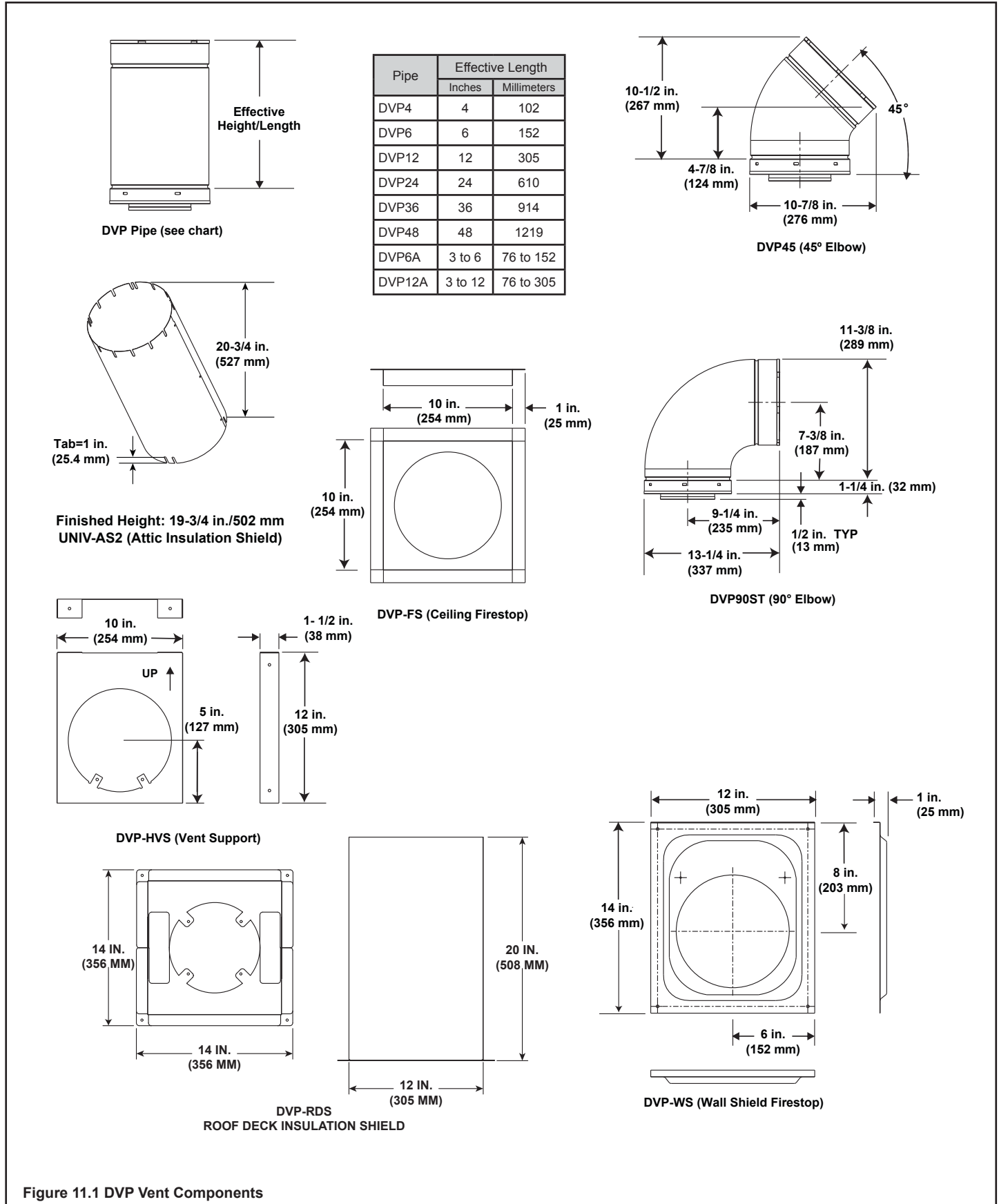


Figure 11.1 DVP Vent Components

## A. Vent Components Diagrams (continued)

Note: Heat shields MUST overlap by a minimum of 1-1/2 in. (38 mm). **The heat shield is designed to be used on a wall 4 in. to 7-1/4 in. (102 mm to 184 mm) thick.** If wall thickness is less than 4 in. (102 mm) the existing heat shields must be field trimmed. If wall thickness is greater than 7-1/4 in. (184 mm) a DVP-HSM-B will be required.

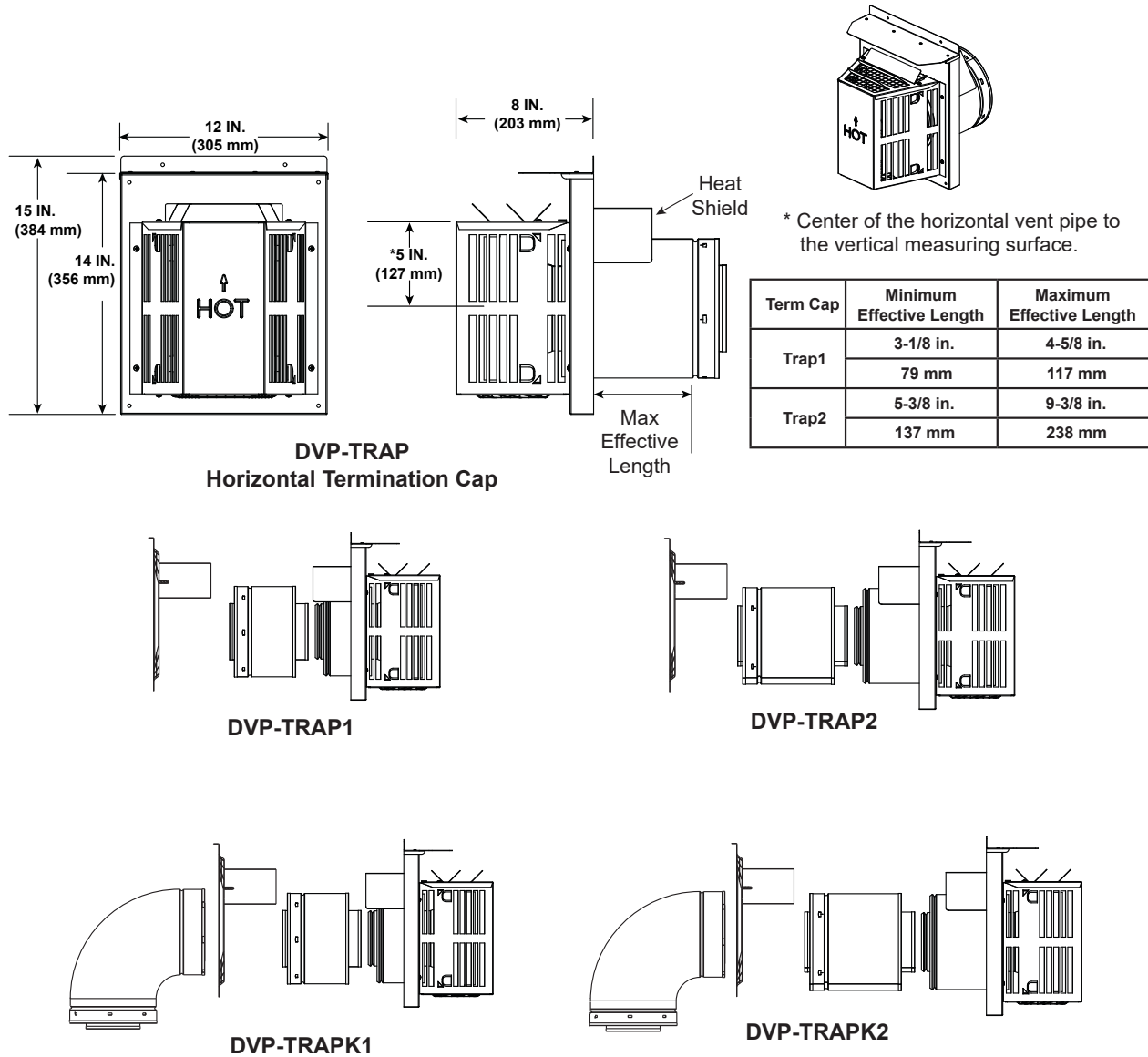
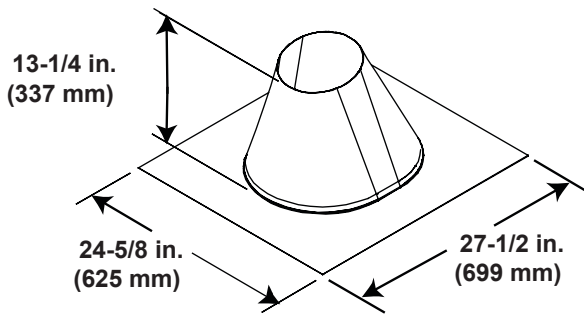
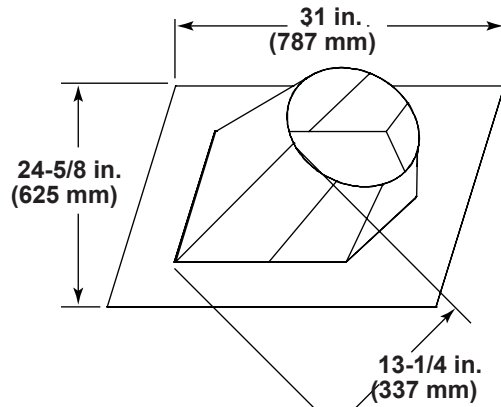


Figure 11.2 DVP Vent Components

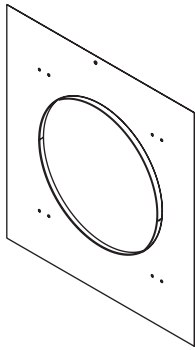
**A. Vent Components Diagrams (continued)**



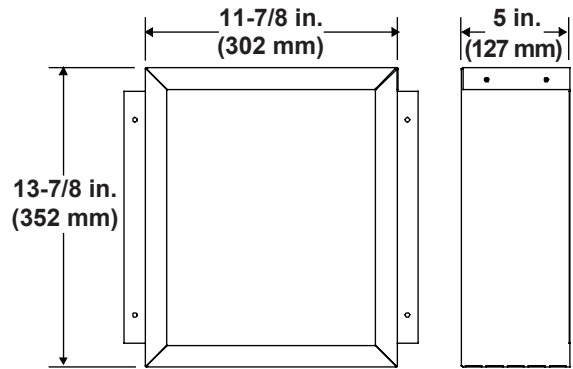
**RF6  
Roof Flashing**



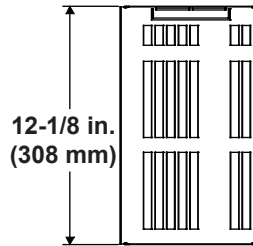
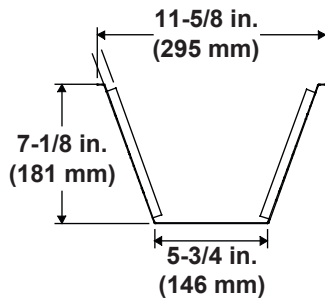
**RF12  
Roof Flashing**



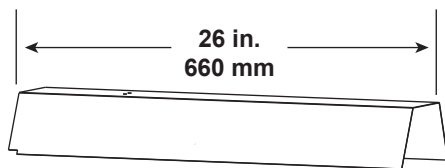
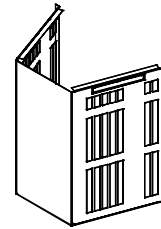
**DVP-TRAPFL  
Flashing**



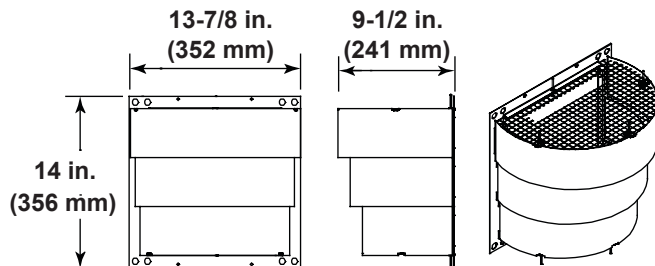
**DVP-BEK2  
DVP-HPC Cap Brick Extension**



**COOL-ADDM  
Cap Shield**



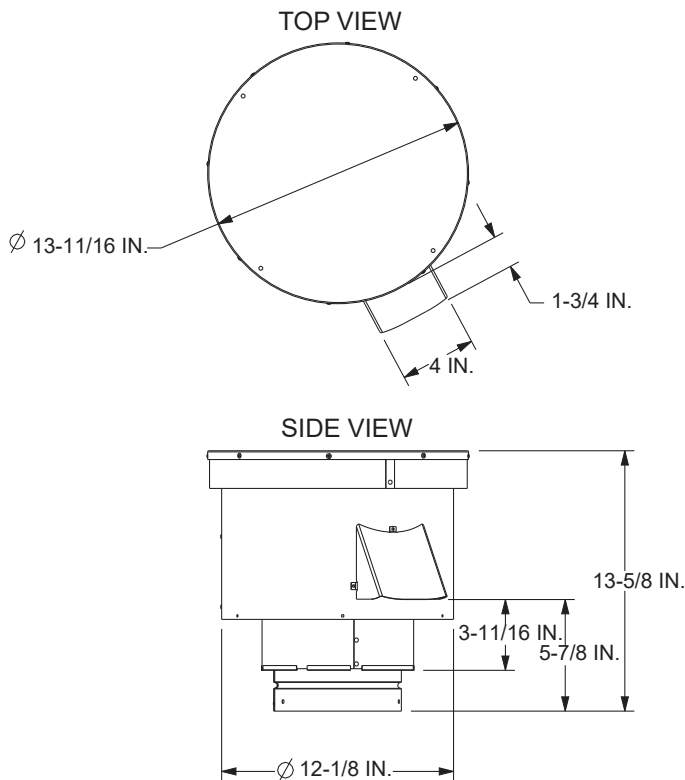
**DVP-HSM-B  
Extended Heat Shield**



**DRC-RADIUS  
Cap Shield**

**Figure 11.3 DVP Vent Components**

## A. Vent Components Diagrams (continued)



**PVV-SLP**  
Vertical Power Vent

Required Wire Harness and PVV-SLEEVE	
Lengths Available	Part Number
10 ft. PV Wire Harness	PVI-WH10
20 ft. PV Wire Harness	PVI-WH20
40 ft. PV Wire Harness	PVI-WH40
60 ft. PV Wire Harness	PVI-WH60
80 ft. PV Wire Harness	PVI-WH80
100 ft. PV Wire Harness	PVI-WH100
Description	Part Number
12 in. Wire Harness Sleeve	PVV-SLEEVE-12
48 in. Wire Harness Sleeve	PVV-SLEEVE-48

**Note:** A wire harness is required to power the PVV-SLP and connect it to the appliance. It is ordered separately from the PVV-SLP. Contact your dealer to order.

**Note:** The PVV-SLEEVE-12 and/or PVV-SLEEVE-48 is required to be installed with the PVV-SLP. It is ordered separately from the PVV-SLP. Contact your dealer to order.

**Note:** The PVV-SLP requires one of the following options to be installed on this appliance.  
 Option A: IFT-RC400 and/or IFT-WFM, IFT-ACM and IntelliFire App that can be downloaded from the app store. **OR**  
 Option B: IFT-RC150, IFT-ACM, IFT-WFM and an IntelliFire App that can be downloaded from the app store. These accessories are purchased separately from the PVI-SLP-B. Contact your dealer to order.

Figure 11.3B PVV-SLP Vent Components

**A. Vent Components Diagrams (continued)**

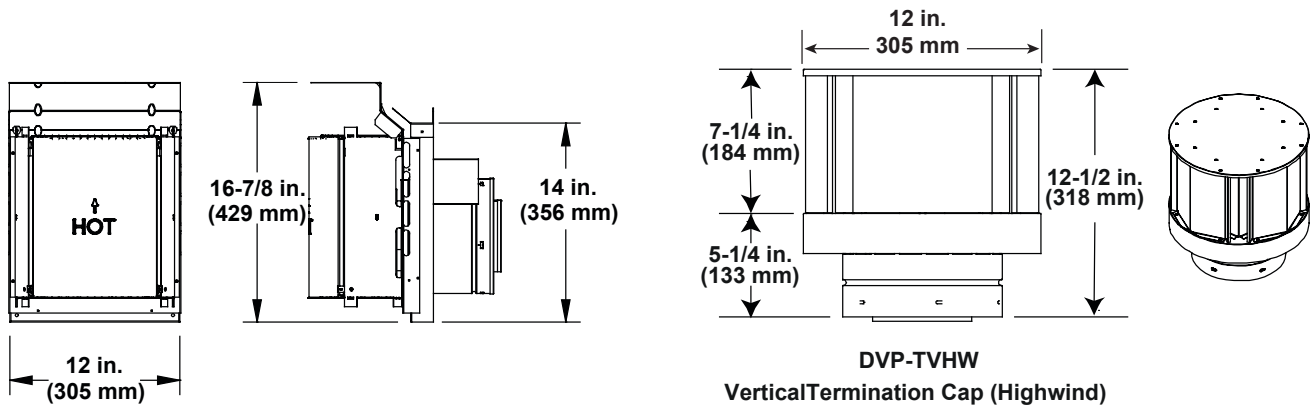
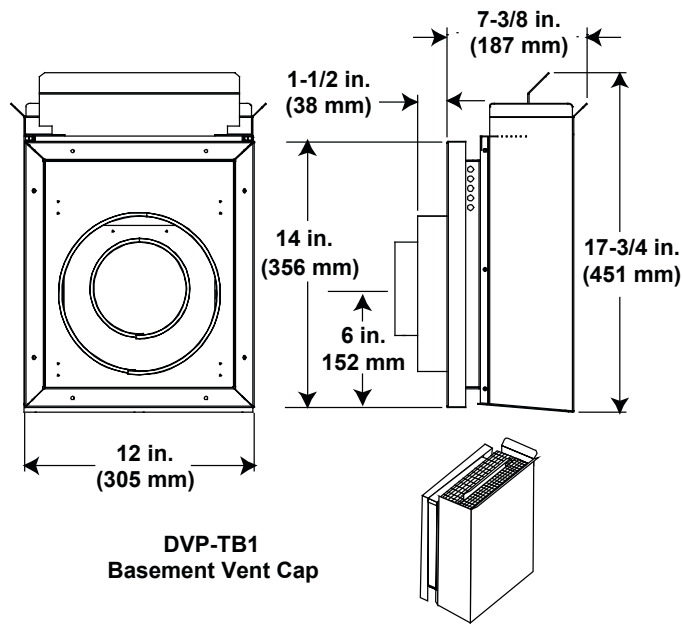
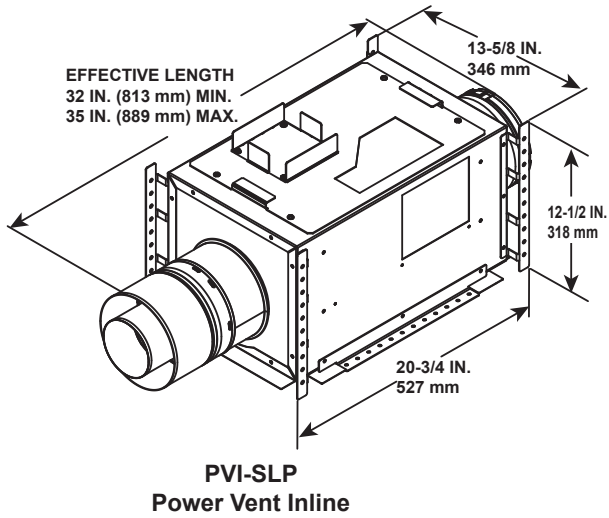


Figure 11.4 DVP Vent Components

## A. Vent Components Diagrams (continued)

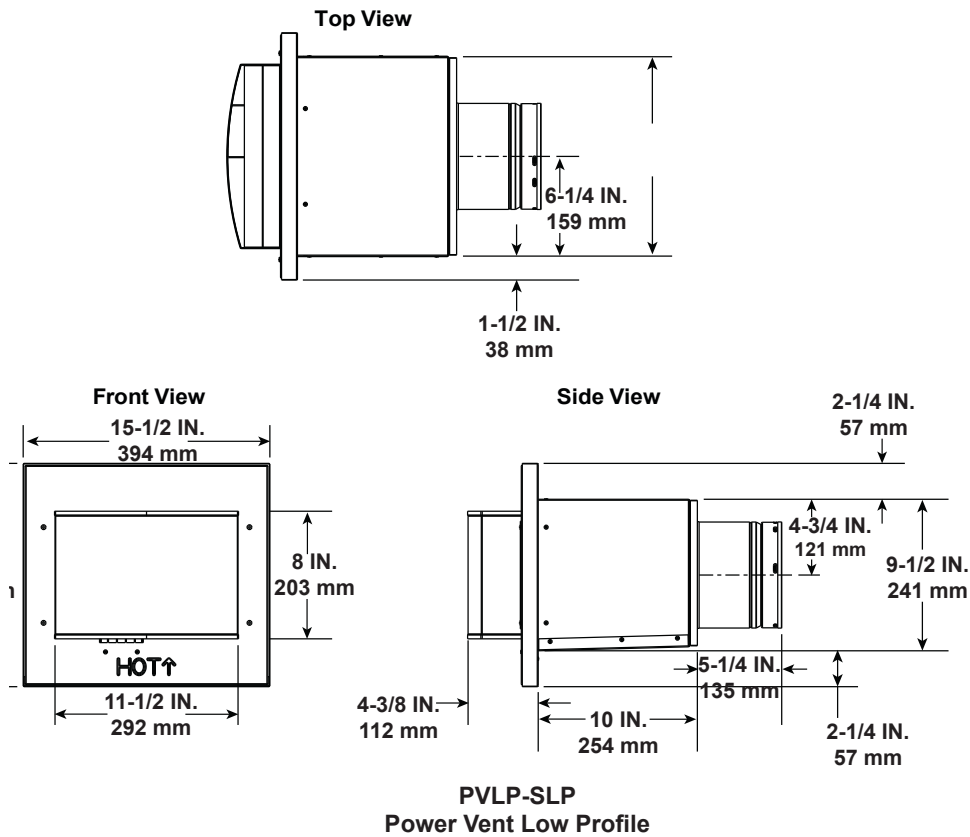


Optional Wire Harness	
DESCRIPTION	PART NUMBER
10 FT PV Wire Harness	PVI-WH10
20 FT PV Wire Harness	PVI-WH20
40 FT PV Wire Harness	PVI-WH40
60 FT PV Wire Harness	PVI-WH60
80 FT PV Wire Harness	PVI-WH80
100 FT PV Wire Harness	PVI-WH100

**Note:** Wire harnesses required to power the PVI-SLP connect to the appliance and are ordered separately from PVI-SLP. Contact your dealer to order.

**Note:** Use only approved termination caps with the PVI-SLP. See instructions included with PVI-SLP kit.

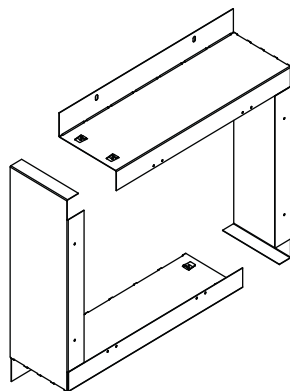
## A. Vent Components Diagrams (continued)



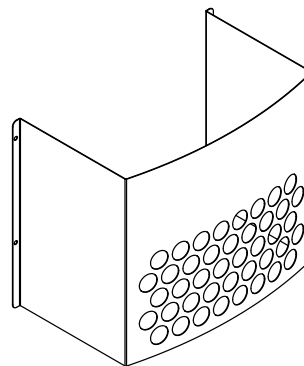
Required Wire Harness	
DESCRIPTION	PART NUMBER
10 FT PV Wire Harness	PVI-WH10
20 FT PV Wire Harness	PVI-WH20
40 FT PV Wire Harness	PVI-WH40
60 FT PV Wire Harness	PVI-WH60
80 FT PV Wire Harness	PVI-WH80
100 FT PV Wire Harness	PVI-WH100

**Note:** Wire harnesses required to power the PVLP-SLP connect to the appliance and are ordered separately from PVLP-SLP. Contact your dealer to order.

**Note:** A PVLP-HS heat shield is available and sold separately. Use if the PVLP-SLP is installed in a high traffic area.



**PVLP-BEK  
Brick Kit**

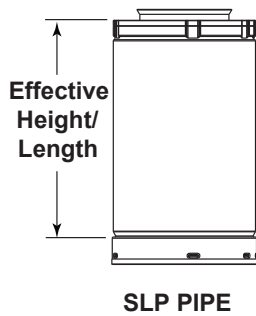
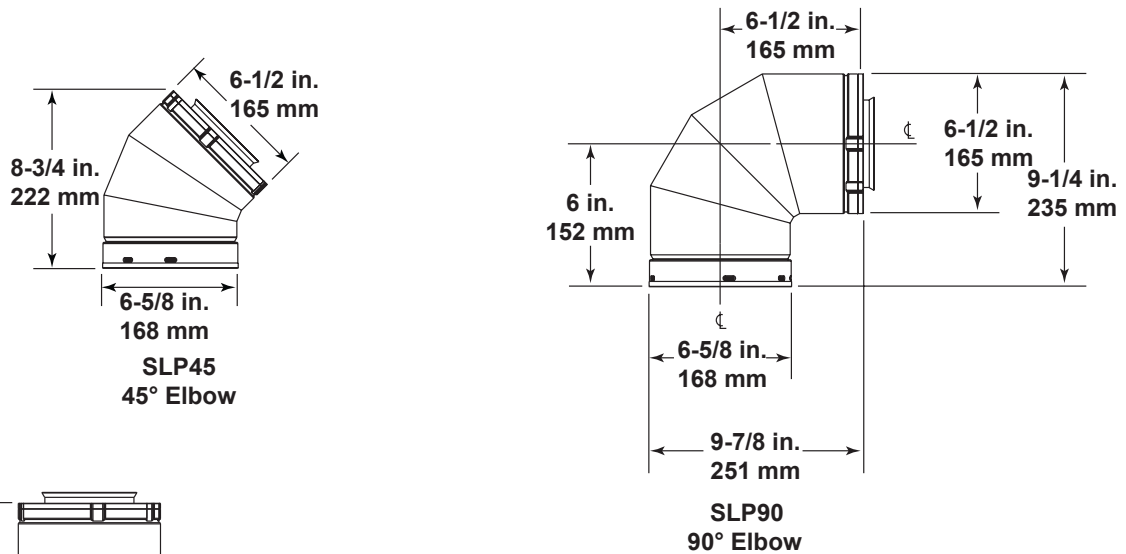


**PVLP-HS  
Heat Shield**

Figure 11.6 PVLP-SLP Vent Components

## A. Vent Components Diagrams (continued)

**Note:** SLP pipe is only allowed when using Power Vent system.



**Effective Height/Length**

Pipe	inches	mm
SLP4	4	102
SLP6	6	152
SLP12	12	305
SLP24	24	610
SLP36	36	914
SLP48	48	1219
SLP6A	2 - 6	51 - 152
SLP12A	2 - 12	51 - 305
SLP-FLEX-2	24	610
SLP-FLEX-3	36	914
SLP-FLEX-5	60	1524
SLP-FLEX-10	120	3048

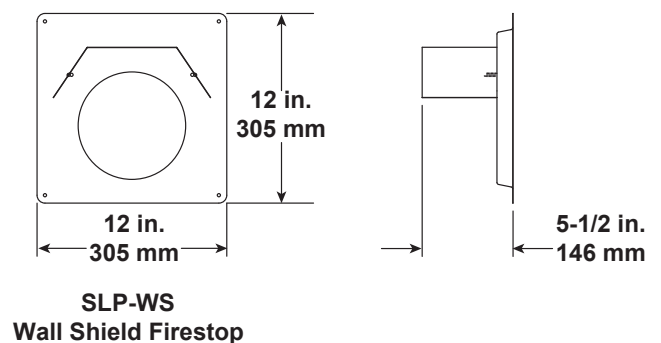
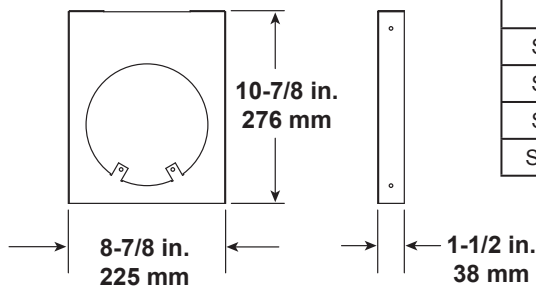
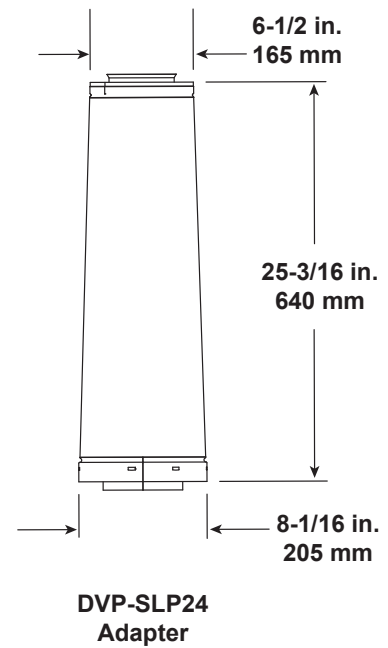


Figure 11.7 SLP Series Vent Components

## **B. Accessories**

### **Remote Controls, Wall Controls and Wall**

#### **Switches**

Follow the instructions supplied with the control installed to operate your fireplace:

For safety:

- Install a switch lock or a wall/remote control with child protection lockout feature.
- Keep remote controls out of reach of children.

See your dealer if you have questions.

Outdoor Lifestyles, a brand of Hearth & Home Technologies  
7571 215<sup>th</sup> Street West, Lakeville, MN 55044  
[www.outdoorlifestylesproducts.com](http://www.outdoorlifestylesproducts.com)

Please contact your Outdoor Lifestyles dealer with any questions or concerns.  
For the location of your nearest Outdoor Lifestyles dealer,  
please visit [www.outdoorlifestylesproducts.com](http://www.outdoorlifestylesproducts.com)

*Printed in U.S.A. - Copyright 2016*