

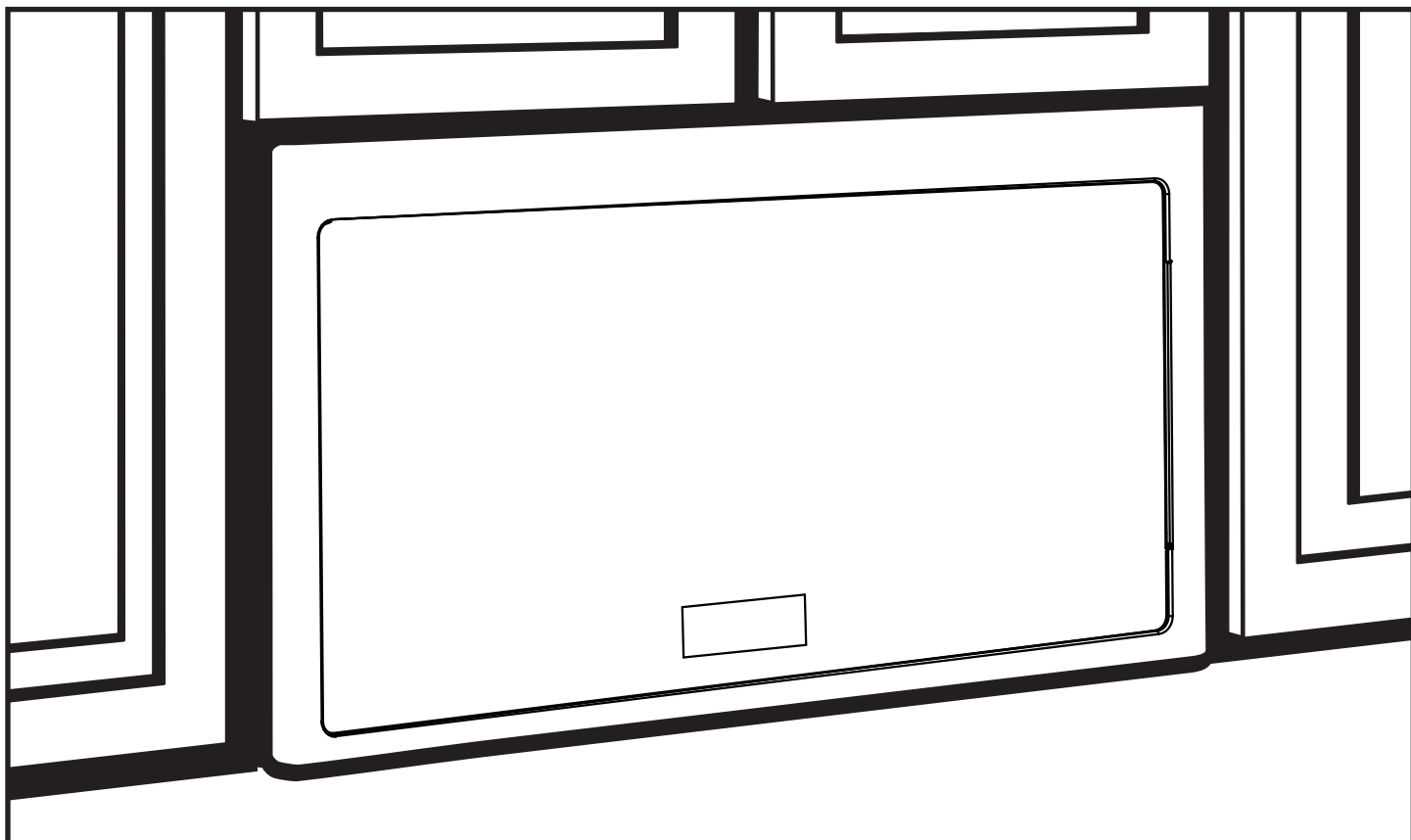
Installation Instructions

Over the Range Microwave Oven

BEFORE YOU BEGIN

Read these instructions completely and carefully.

- **IMPORTANT** — Save these instructions for local inspector's use.
- **IMPORTANT** — Observe all governing codes and ordinances.
- **Note to Installer** — Be sure to leave these instructions with the Consumer.
- **Note to Consumer** — Keep these instructions for future reference.
- **Skill level** — Installation of this appliance requires basic mechanical and electrical skills.
- Proper installation is the responsibility of the installer.
- Product failure due to improper installation is not covered under the Warranty.



Installation Instructions

! This is the safety alert symbol. This symbol alerts you to potential hazards that can kill or hurt you and others. All safety messages will follow the safety alert symbol and the word “DANGER”, “WARNING”, or “CAUTION”. These words are defined as:

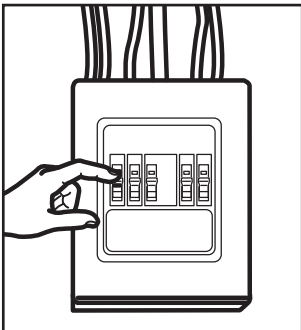
▲ DANGER Indicates a hazardous situation which, if not avoided, will result in death or serious injury.

▲ WARNING Indicates a hazardous situation which, if not avoided, could result in death or serious injury.

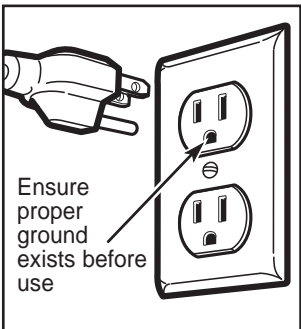
▲ CAUTION Indicates a hazardous situation which, if not avoided, may result in minor or moderate injury.

IMPORTANT SAFETY INSTRUCTIONS

A qualified electrician must perform a ground continuity check on the wall receptacle before beginning the installation to ensure that the outlet box is properly grounded. If not properly grounded, or if the wall receptacle does not meet electrical requirements noted (under ELECTRICAL REQUIREMENTS), a qualified electrician should be employed to correct any deficiencies.



▲ WARNING
Risk of Electric Shock. Can cause injury or death: Remove house fuse or open circuit breaker before beginning installation to avoid severe or fatal shock injury.



▲ WARNING
Risk of Electric Shock. Can cause injury or death: THIS APPLIANCE MUST BE PROPERLY GROUNDED to avoid severe or fatal shock.

The power cord of this appliance is equipped with a three-prong (grounding) plug which mates with a standard three-prong (grounding) wall receptacle to minimize the possibility of electric shock hazard from this appliance.

Where a standard two-prong wall receptacle is encountered, it must be replaced with a properly grounded three-prong wall receptacle, installed by a qualified electrician.

RISK OF ELECTRIC SHOCK

▲ WARNING Can cause injury or death: **DO NOT, under any circumstances, cut, deform or remove any of the prongs from the power cord. Do not use with an extension cord. Failure to comply may cause fire.**

ELECTRICAL REQUIREMENTS

Product rating is 120 volts AC, 60 Hertz, 13 amps and 1.5 kilowatts. This product must be connected to a supply circuit of the proper voltage and frequency. Wire size must conform to the requirements of the National Electrical Code or the prevailing local code for this kilowatt rating. The power supply cord and plug should be brought to a separate 15- to 20-ampere branch circuit single grounded outlet. The outlet box should be located in the cabinet above the microwave oven. The outlet box and supply circuit should be installed by a qualified electrician and conform to the National Electrical Code or the prevailing local code.

FOR YOUR SAFETY:

▲ CAUTION For personal safety, the mounting surface must be capable of supporting the cabinet load, in addition to the added weight of this 63–85 pound product, plus additional oven loads of up to 50 pounds or a total weight of 113–135 pounds.

▲ CAUTION For personal safety, this product cannot be installed in cabinet arrangements such as an island or a peninsula. It must be mounted to BOTH a top cabinet AND a wall.

▲ CAUTION To avoid the risk of personal injury (back injury or other injuries due to excessive weight of the microwave oven) or property damage, you will need two people to install this microwave oven.





Installation Instructions

HOOD EXHAUST

NOTE: Read these next two pages only if you plan to vent your exhaust to the outside. If you plan to recirculate the air back into the room, proceed to page 5.

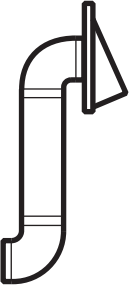
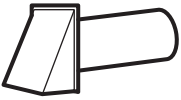


OUTSIDE TOP EXHAUST (EXAMPLE ONLY)

The following chart describes an example of one possible ductwork installation.

	DUCT PIECES		EQUIVALENT LENGTH	X	NUMBER USED	=	LENGTH
		Roof Cap	24 FT	X	(1)	=	24 FT
		12 ft Straight Duct (6" Round)	12 FT		(1)		12 FT
		Rectangular-to-Round Transition Adaptor*	5 FT		(1)		5 FT
Equivalent lengths of duct pieces are based on actual tests and reflect requirements for good venting performance with any vent hood.							
Total Length =							41 FT
* IMPORTANT: If a rectangular-to-round transition adaptor is used, the bottom corners of the damper will have to be cut to fit, using the tin snips, in order to allow free movement of the damper.							

OUTSIDE BACK EXHAUST (EXAMPLE ONLY)

The following chart describes an example of one possible ductwork installation.

	DUCT PIECES		EQUIVALENT LENGTH	X	NUMBER USED	=	LENGTH
		Wall Cap	40 FT	X	(1)	=	40 FT
		3 ft Straight Duct (3 1/4" x 10" Rectangular)	3 FT		(1)		3 FT
		90° Elbow	10 FT		(2)		20 FT
Equivalent lengths of duct pieces are based on actual tests and reflect requirements for good venting performance with any vent hood.							
Total Length =							63 FT
NOTE: For back exhaust, care should be taken to align exhaust with space between studs, or wall should be prepared at the time it is constructed by leaving enough space between the wall studs to accommodate exhaust.							

Installation Instructions

NOTE: If you need to install ducts, note that the total duct length of 3¼" x 10" rectangular or 6" diameter round duct **should not exceed 140 equivalent feet**. Outside ventilation requires a HOOD EXHAUST DUCT. Read the following carefully.

NOTE: It is important that venting be installed using the most direct route and with as few elbows as possible. This ensures clear venting of exhaust and helps prevent blockages. **Also, make sure dampers swing freely and nothing is blocking the ducts.**

Exhaust connection:





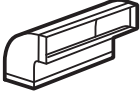
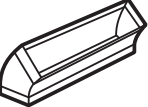
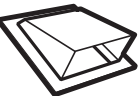

The hood exhaust has been designed to mate with a standard 3¼" x 10" rectangular duct.

If a round duct is required, a rectangular-to-round transition adaptor must be used. **Do not use less than a 6" diameter duct.**

Maximum duct length:

For satisfactory air movement, the total duct length of 3¼" x 10" rectangular or 6" diameter round duct **should not exceed 140 equivalent feet**.

Elbows, transitions, wall and roof caps, etc., present additional resistance to airflow and are equivalent to a section of straight duct which is longer than their actual physical size. When calculating the total duct length, add the equivalent lengths of all transitions and adaptors plus the length of all straight duct sections. The chart below shows you how to calculate total equivalent ductwork length using the approximate feet of equivalent length of some typical ducts.

DUCT PIECES	EQUIVALENT LENGTH	X	NUMBER USED	=	LENGTH
	Rectangular-to-Round Transition Adaptor*		()		___ Ft
	Wall Cap		()		___ Ft
	90° Elbow		()		___ Ft
	45° Elbow		()		___ Ft
	90° Elbow	X	()	=	___ Ft
	45° Elbow		()		___ Ft
	Roof Cap		()		___ Ft
	Straight Duct 6" Round or 3¼" x 10" Rectangular		()		___ Ft
Total Ductwork =					___ Ft



*** IMPORTANT:** If a rectangular-to-round transition adaptor is used, the bottom corners of the damper will have to be cut to fit, using the tin snips, in order to allow free movement of the damper.


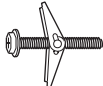


Equivalent lengths of duct pieces are based on actual tests and reflect requirements for good venting performance with any vent hood.

Installation Instructions

DAMAGE – SHIPMENT INSTALLATION

- If the unit is damaged in shipment, return the unit to the store in which it was bought for repair or replacement.
- If the unit is damaged by the customer, repair or replacement is the responsibility of the customer.
- If the unit is damaged by the installer (if other than the customer), repair or replacement must be made by arrangement between customer and installer.

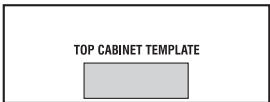
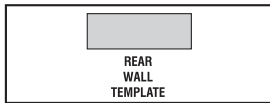

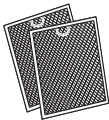
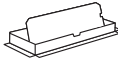


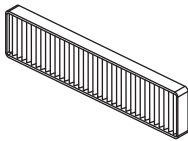
PARTS INCLUDED HARDWARE PACKET

Part	Quantity
 Wood screws (1/4" x 2")	2
 Toggle bolts (and wind nuts) (3/16" x 3")	2
 Self-aligning machine screws (1/4" - 28 x 3 1/4")	2
 Nylon Grommet (for metal cabinets)	1

You will find the installation hardware contained in a packet with the unit. Check to make sure you have all these parts.

NOTE: Some extra parts are included.

ADDITIONAL PARTS

Part	Quantity
 TOP CABINET TEMPLATE	1
 REAR WALL TEMPLATE	1
 INSTALLATION INSTRUCTIONS	1
 Separately Packed Grease Filter	2
 Exhaust Adaptor	1
 Glass Tray	1
 Turntable Ring	1
 Charcoal Filter (Preinstalled in Product)	1

Installation Instructions

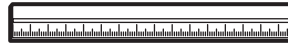
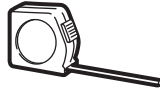
TOOLS YOU WILL NEED



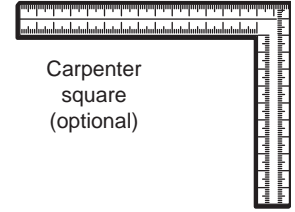
#1 and #2 Phillips screwdriver



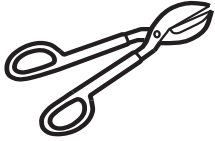
Pencil



Ruler or tape measure and straight edge



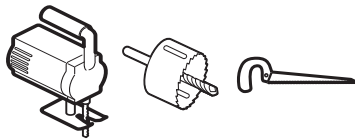
Carpenter square (optional)



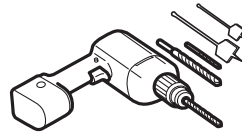
Tin snips (for cutting damper, if required)



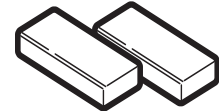
Scissors (to cut template, if necessary)



Saw (saber, hole, or keyhole)



Electric drill with 3/16", 7/16", 1/2" and 5/8" drill bits



Filler blocks or scrap wood pieces, if needed for top cabinet spacing (used on recessed bottom cabinet installations only)



Gloves



Safety Goggles



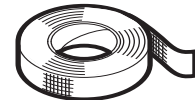
Level



Stud finder

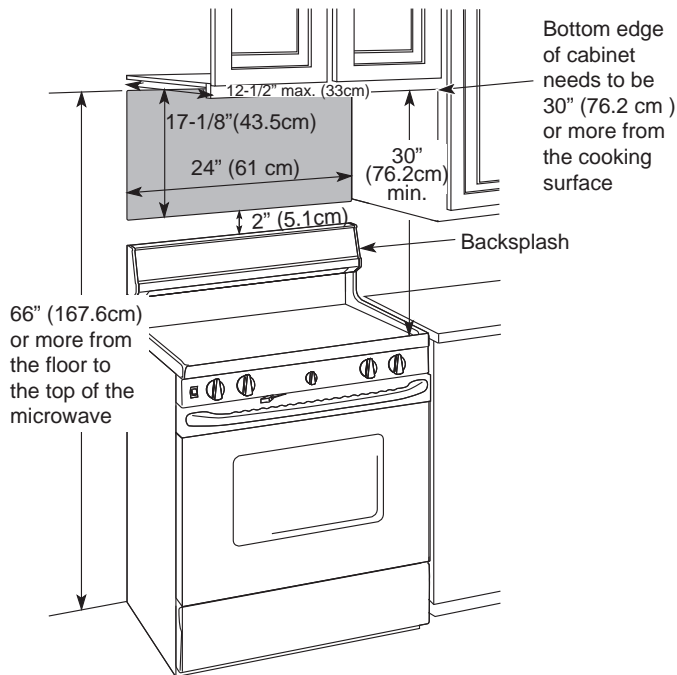


Hammer (optional)



Duct and masking tape

MOUNTING SPACE



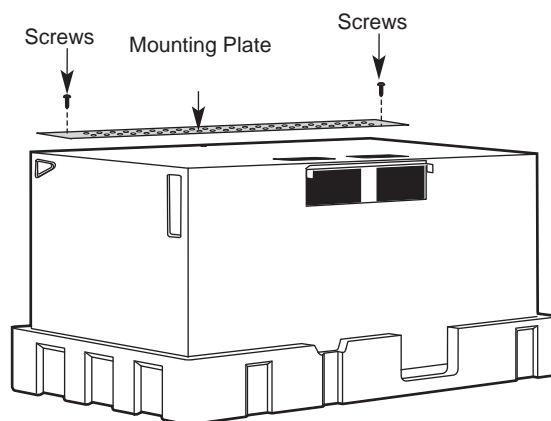
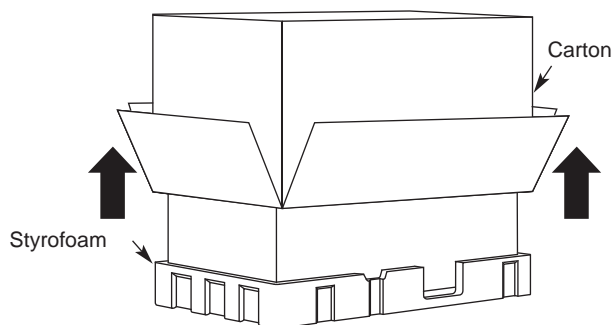
- The space between the cabinets must be 24" wide and free of obstructions.
- This appliance is to be mounted only above countertop level.
- This oven is for installation over ranges up to 36" wide.
- If you are going to vent your oven to the outside, see Hood Exhaust Section for exhaust duct preparation.
- When installing the oven beneath smooth, flat cabinets, be careful to follow the instructions on the top cabinet template for power cord clearance.
- For models with top venting holes: Do not allow cabinetry or other objects to block the airflow of the vent.
- This microwave is suitable for installation over electric or gas cooking appliances with a combined BTU of 63,000 BTU or less.
- Café branded gas cooking appliances should only be installed in combination with a Café branded over-the-range microwave.
- Monogram branded gas cooking appliances should only be installed in combination with a Monogram branded over-the-range microwave.
- Monogram branded gas cooking appliances with a combined BTU greater than 66,000 BTU should not be paired with an over-the-range microwave.

Installation Instructions

1 PLACEMENT OF THE MOUNTING PLATE

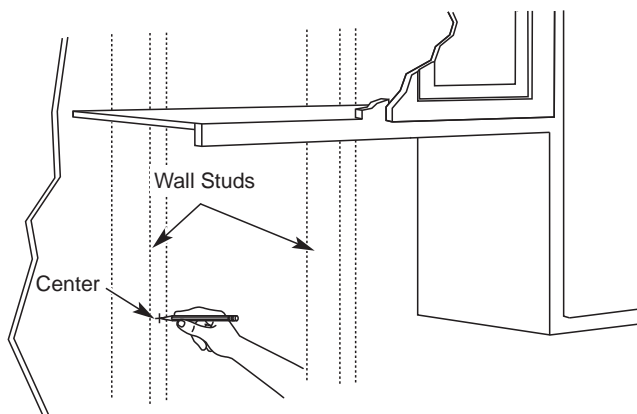
A. REMOVING THE MICROWAVE OVEN FROM THE CARTON/REMOVING THE MOUNTING PLATE

- 1 Remove the installation instructions, filters, glass tray and the small hardware bag. Do not remove the Styrofoam protecting the front of the oven.
- 2 Fold back all 4 carton flaps fully against carton sides. Then carefully roll the oven and carton over onto the top side. The oven should be resting in the Styrofoam.
- 3 Pull the carton up and off the oven.
- 4 Cut the middle of plastic bag to remove.
- 5 Remove the screws from the mounting plate. This plate will be used as the rear wall template and for mounting. Reinstall the screws into the holes where they were removed.



B. FINDING THE WALL STUDS

- 1 Find the studs, using one of the following methods:
 - A. Stud finder – a magnetic device which locates nails.
 - OR
 - B. Use a hammer to tap lightly across the mounting surface to find a solid sound. This will indicate a stud location.
- 2 After locating the stud(s), find the center by probing the wall with a small nail to find the edges of the stud. Then place a mark halfway between the edges. The center of any adjacent studs should be 16" (40.6 cm) or 24" (61 cm) from this mark.
- 3 Draw a line down the center of the studs.

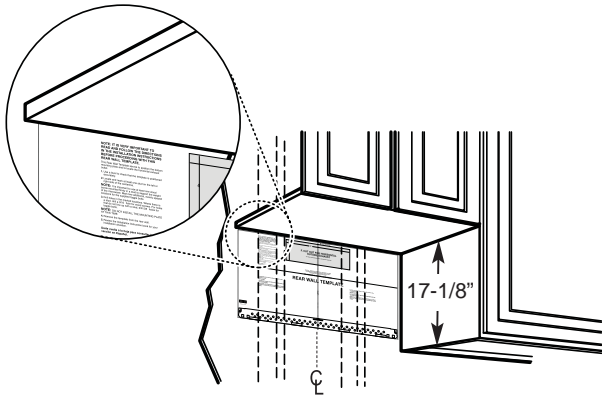


THE MICROWAVE MUST BE CONNECTED TO AT LEAST ONE WALL STUD.

Installation Instructions

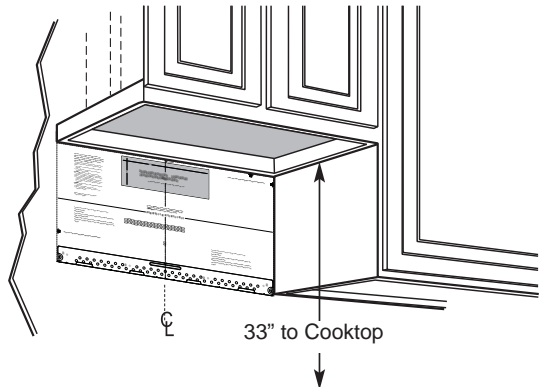
C. DETERMINING WALL PLATE LOCATION UNDER YOUR CABINET.

Plate Position — beneath flat bottom cabinet.



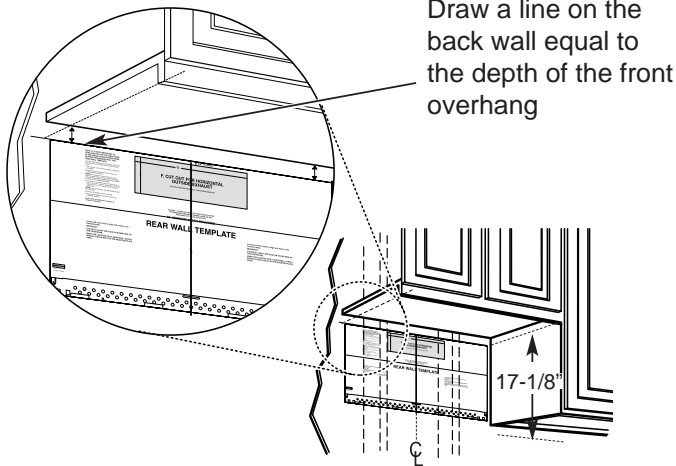
Draw a vertical line on the wall at the center of the 24" wide space. Tape the Rear Wall Template onto the wall matching the centerline and touching the bottom of the cabinet.

Plate Position — beneath framed recessed cabinet bottom.



Draw a vertical line on the wall at the center of the 24" space. Tape the Rear Wall Template onto the wall matching the centerline and touching the bottom cabinet frame.

Plate Position — beneath recessed bottom cabinet with front overhang



Draw a line on the back wall equal to the depth of the front overhang

Your cabinets may have decorative trim that interferes with the microwave installation. Remove the decorative trim to install the microwave properly and to make it level.

THE MICROWAVE MUST BE LEVEL

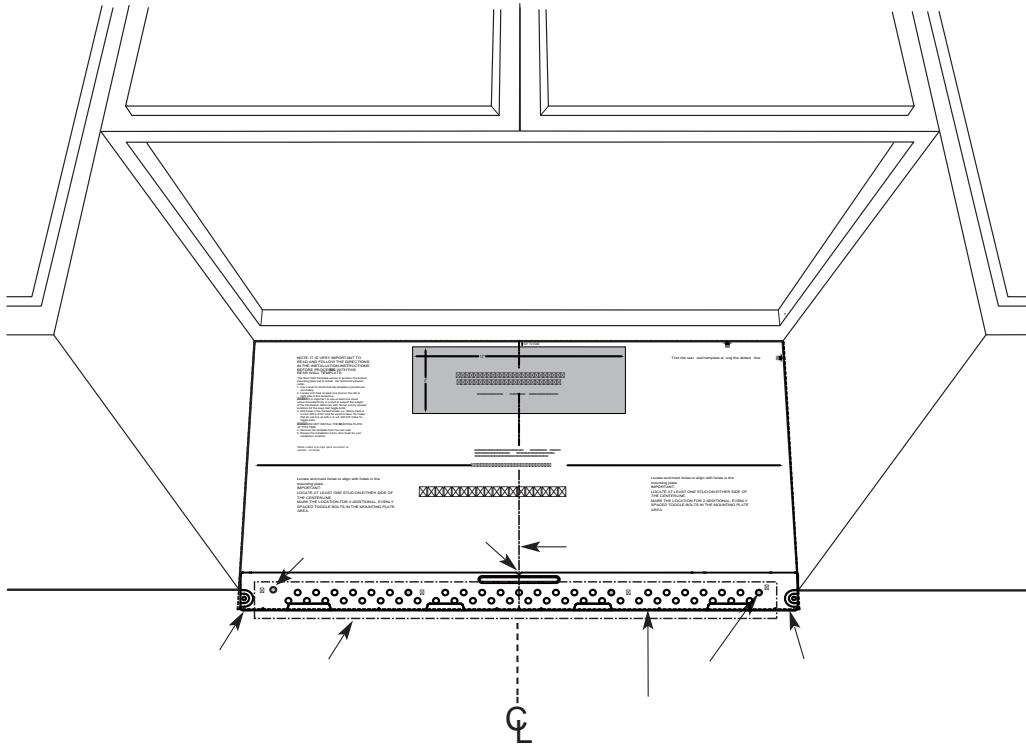
Use a level to make sure the cabinet bottom is level.

If the cabinets have a front overhang only, with no back or side frame, install the mounting plate down the same distance as the front overhang depth. This will keep the microwave level.

1. Measure the inside depth of the front overhang.
2. Draw a horizontal line on the back wall an equal distance below the cabinet bottom as the inside depth of the front overhang.
3. For this type of installation with front overhang only, align the mounting tabs with this horizontal line, not touching the cabinet bottom as described in Step D.

Installation Instructions

D. ALIGNING THE WALL PLATE



CAUTION Wear gloves to avoid cutting fingers on sharp edges.

WARNING Risk of electric shock. Can cause injury or death. Take care to not drill into electrical wiring inside walls or cabinets.

1. Draw a Vertical line on the wall at the center of the 24" wide space.
2. Draw a Horizontal line on the wall at the bottom of **Rear Wall Template**.
3. Drill 5/8" holes for toggle bolts on 2 locations (Hole A, Hole B) but if the location of hole is same as that of stud, drill a 3/16" hole for wood screw. In other words, toggle bolt can not be used to the location of stud.

NOTE: DO NOT MOUNT THE PLATE AT THIS TIME.

NOTE: Holes A and B are inside area E. If both of A and B are not in a stud, find a stud somewhere in area E and draw a forth circle to line up with the stud. It is important to use at least one wood screw mounted firmly in a stud to support the weight of the microwave. Set the mounting plate aside.

Installation Instructions

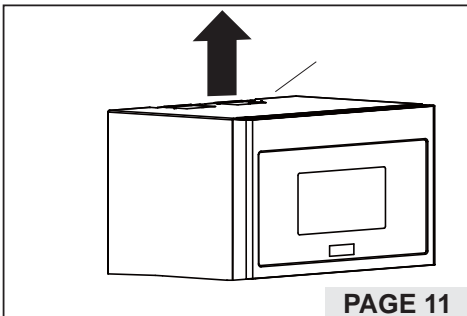
2 INSTALLATION TYPES (Choose A, B, or C)

This microwave oven is designed for adaptation to the following three types of ventilation:

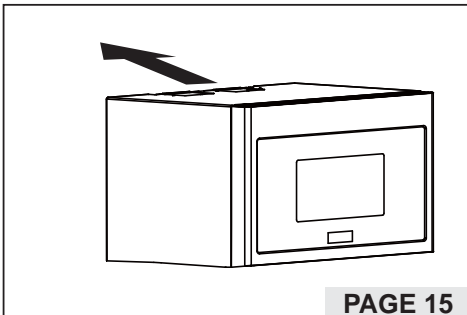
- A. Outside Top Exhaust (Vertical Duct)
- B. Outside Back Exhaust (Horizontal Duct)
- C. Recirculating (Non-Vented Ductless)

NOTE: This microwave is shipped assembled for Recirculating. Select the type of ventilation required for your installation and proceed to the section.

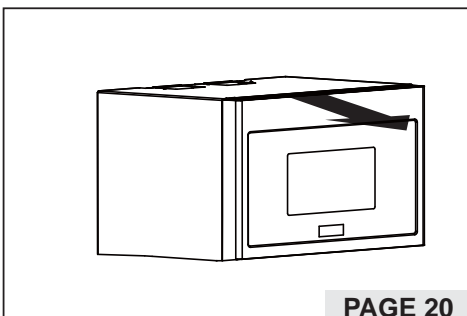
A. OUTSIDE TOP EXHAUST (VERTICAL DUCT)



B. OUTSIDE BACK EXHAUST (HORIZONTAL DUCT)



C. RECIRCULATING (NON-VENTED DUCTLESS)



A Charcoal Filter Accessory Kit (preinstalled in product) is required for non-vented exhaust. (See your **Owner's Manual** for the kit number.)

Installation Instructions

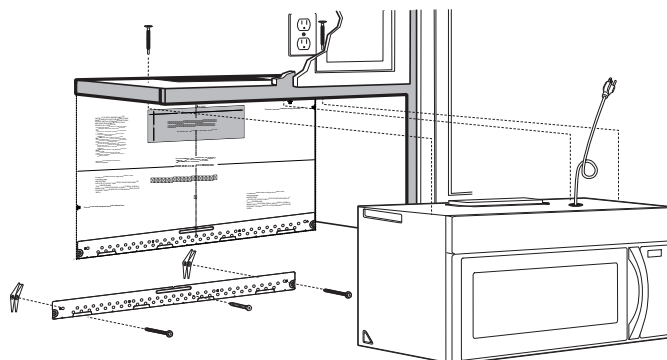
A OUTSIDE TOP EXHAUST (VERTICAL DUCT)

INSTALLATION OVERVIEW

- A1. Attach Mounting Plate to Wall
- A2. Prepare Top Cabinet
- A3. Adapting Microwave Blower for Outside Top Exhaust
- A4. Check Damper Operation
- A5. Mount Microwave Oven
- A6. Adjust Exhaust Adaptor
- A7. Connect Ductwork

IMPORTANT NOTES:

- Make sure the screws for the blower motor and blower plate are securely tightened when they are reinstalled. This will help to prevent excessive vibration.
- Make sure the motor wiring has been properly routed and secured, and that the wires are not pinched.



A1 ATTACH THE MOUNTING PLATE TO THE WALL

Attach the plate to the wall using toggle bolts. At least one wood screw must be used to attach the plate to a wall stud.

1. Remove the toggle wings from the bolts.
2. Insert the bolts into the mounting plate through the holes designated to go into drywall and reattach the toggle wings to 3/4" (19 mm) onto each bolt.

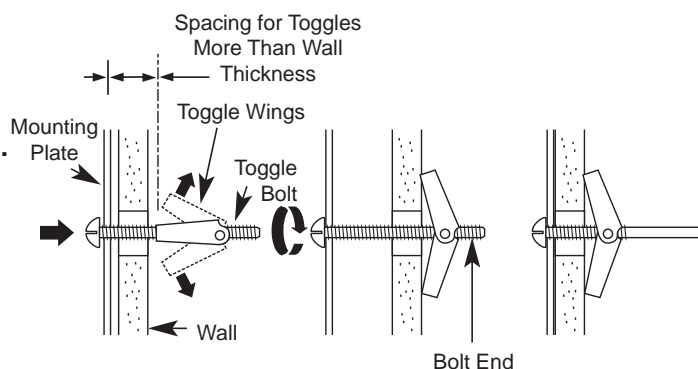
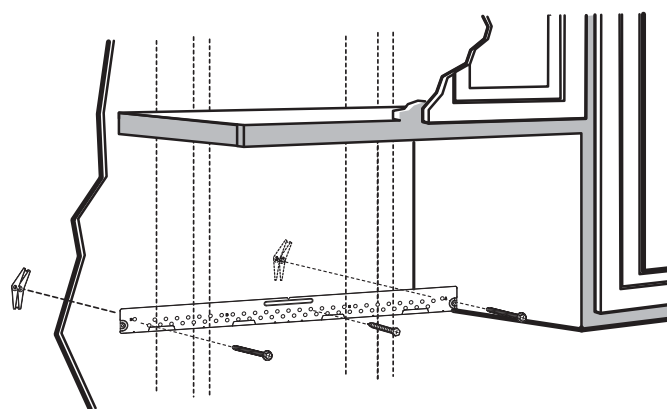
TO USE TOGGLE BOLTS:

3. Place the mounting plate against the wall and insert the toggle wings into the holes in the wall to mount the plate.

NOTE: Before tightening toggle bolts and wood screw, make sure the tabs on the mounting plate touch the bottom of the cabinet when pushed flush against the wall and that the plate is properly centered under the cabinet.

CAUTION Be careful to avoid pinching fingers between the back of the mounting plate and the wall.

4. Tighten all bolts. Pull the plate away from the wall to help tighten the bolts.



Installation Instructions

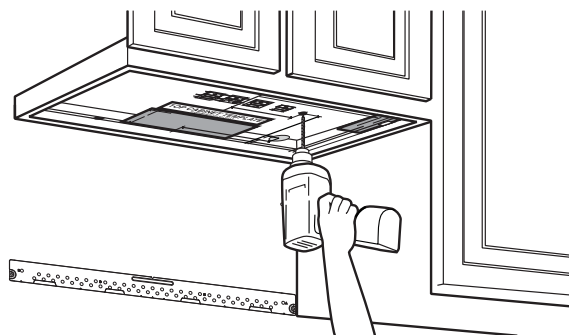
A OUTSIDE TOP EXHAUST (VERTICAL DUCT)

A2 ATTACH THE MOUNTING PLATE TO THE WALL

You need to drill holes for the top support screws, a hole large enough for the power cord to fit through, and a cutout large enough for the exhaust adaptor.

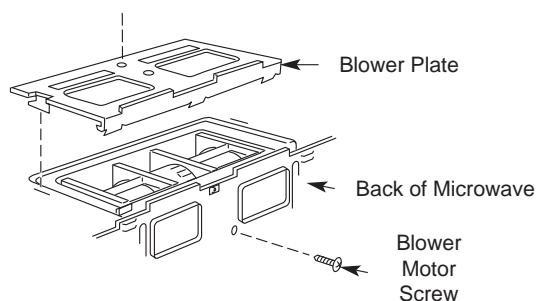
- Read the instructions on the **TOP CABINET TEMPLATE**.
- Tape it underneath the top cabinet.
- Drill the holes, following the instructions on the **TOP CABINET TEMPLATE**.

CAUTION Wear safety goggles when drilling holes in the cabinet bottom.

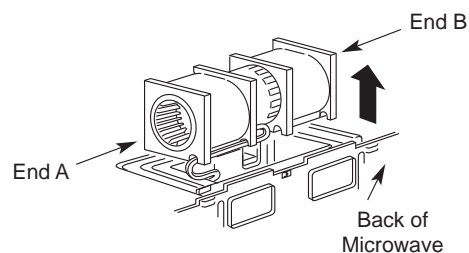


A3 ADAPTING MICROWAVE BLOWER FOR OUTSIDE TOP EXHAUST

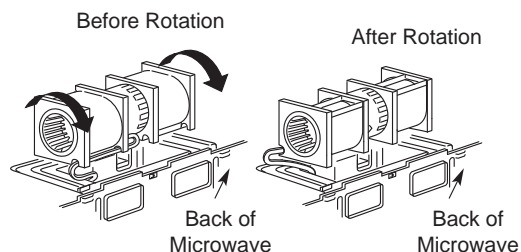
1. Place the microwave in its upright position, with the top of the unit facing up. Remove the screw that holds the blower plate to the microwave. Remove and save the screw holding the blower motor to the microwave.



2. Carefully pull out the blower unit. The wires will extend far enough to allow you to adjust the blower unit.



3. Roll the blower unit 90° so that fan blade openings are facing out the top of the microwave.



Installation Instructions

A OUTSIDE TOP EXHAUST (VERTICAL DUCT)

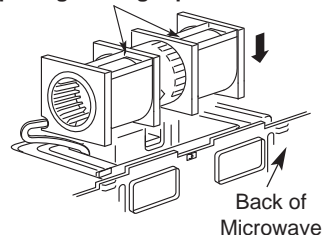
A3 ADAPTING MICROWAVE BLOWER FOR OUTSIDE TOP EXHAUST (cont)

4. Place the blower unit back into the opening.

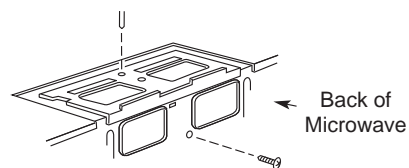
CAUTION Do not pull or stretch the blower unit wiring. Make sure the wires are not pinched.

5. Secure blower unit to microwave with the screw removed in Step 1. Make sure the screw is tight.

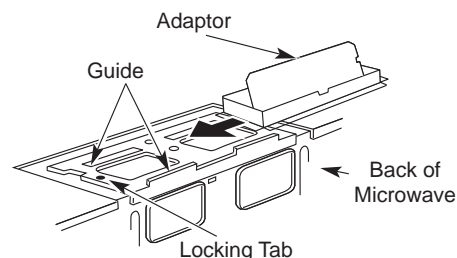
AFTER: Fan blade openings facing top



6. Replace blower plate with the screw removed in Step 1. Make sure the screw is tight.

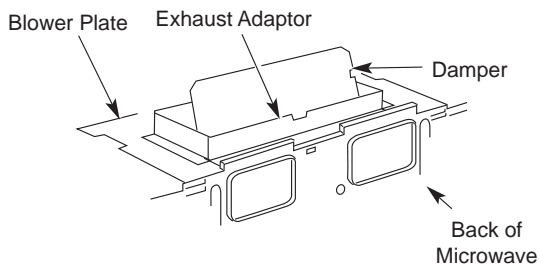


7. Attach the exhaust adaptor to the top of the blower plate by sliding it into the guides of the blower plate. Push in securely until it is in the locking tabs. Take care to assure that the damper hinge is installed so that the damper swings freely.



A4 CHECK FOR PROPER DAMPER OPERATION

- Make sure tape securing damper is removed and damper pivots easily before mounting microwave.
- You will need to make adjustments to assure proper alignment with your house exhaust duct after the microwave is installed.



A5 MOUNT THE MICROWAVE OVEN

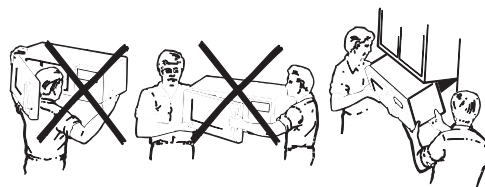
FOR EASIER INSTALLATION AND PERSONAL SAFETY, WE RECOMMEND THAT TWO PEOPLE INSTALL THIS MICROWAVE OVEN.

IMPORTANT: Do not grip or use handle during installation.

NOTE: If your cabinet is metal, use the nylon grommet around the power cord hole to prevent cutting of the cord.

NOTE: We recommend using filler blocks if the cabinet front hangs below the cabinet bottom shelf.

IMPORTANT: If filler blocks are not used, case damage may occur from overtightening screws.

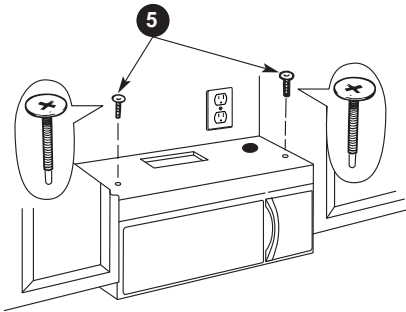


Installation Instructions

A OUTSIDE TOP EXHAUST (VERTICAL DUCT)

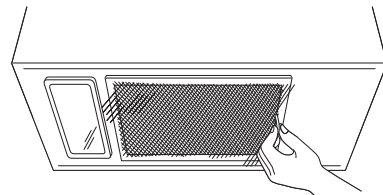
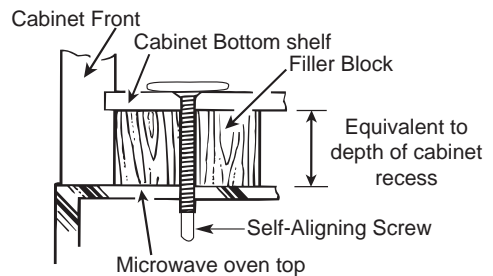
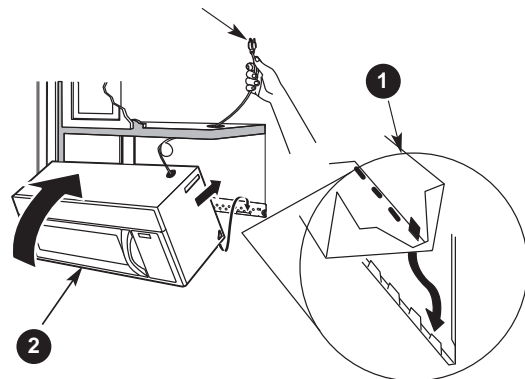
A5 MOUNT THE MICROWAVE OVEN

1. Lift microwave, tilt it forward, and hook slots at back bottom edge onto four lower tabs of mounting plate.
2. Rotate front of oven up against cabinet bottom.
3. Insert a self-aligning screw through top center cabinet hole. Temporarily secure the oven by turning the screw at least two full turns after the threads have engaged. (It will be completely tightened later.) Be sure to keep power cord tight. Be careful not to pinch the cord, especially when mounting flush to bottom of cabinet.
4. Attach the microwave oven to the top cabinet.
5. Insert 2 self-aligning screws through outer top cabinet holes. Turn two full turns on each screw.



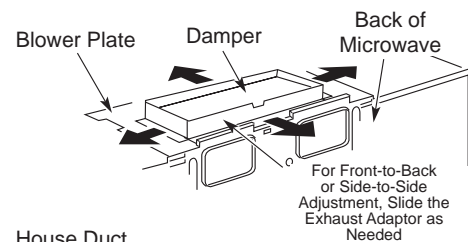
6. Tighten the outer two screws to the top of the microwave oven. (While tightening screws, hold the microwave oven in place against the wall and the top cabinet.)
7. Install grease filters. See the Owner's Manual packed with the microwave.

NOTE: When mounting the microwave oven, thread power cord through hole in bottom of top cabinet. Keep it tight throughout Steps 1–3. Do not pinch cord or lift oven by pulling cord.



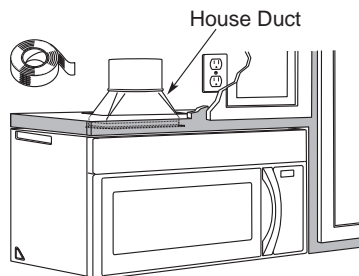
A6 ADJUST THE EXHAUST ADAPTOR

Open the top cabinet and adjust the exhaust adaptor to connect to the house duct.



A7 CONNECTING DUCTWORK

1. Extend the house duct down to connect to the exhaust adaptor.
2. Seal exhaust duct joints using furnace duct tape for high temperature applications.



Installation Instructions

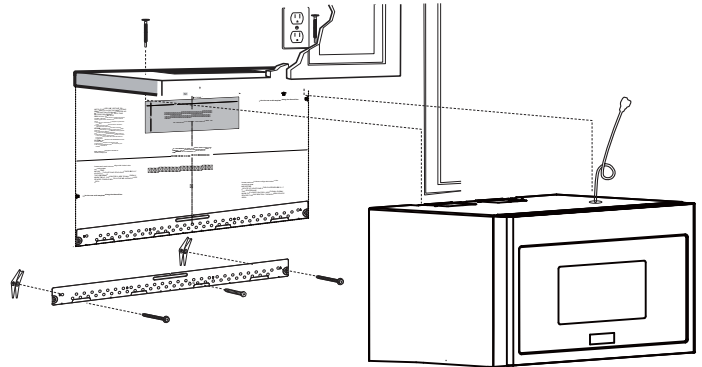
B OUTSIDE BACK EXHAUST (HORIZONTAL DUCT)

INSTALLATION OVERVIEW

- B1.** Prepare Rear Wall
- B2.** Remove Blower Plate
- B3.** Attach Mounting Plate to Wall
- B4.** Prepare Top Cabinet
- B5.** Adjust Blower
- B6.** Mount the Microwave Oven

IMPORTANT NOTES:

- Make sure the screws for the blower motor and blower plate are securely tightened when they are reinstalled. This will help to prevent excessive vibration.
- Make sure the motor wiring has been properly routed and secured, and that the wires are not pinched.



B1 PREPARING THE REAR WALL FOR OUTSIDE BACK EXHAUST

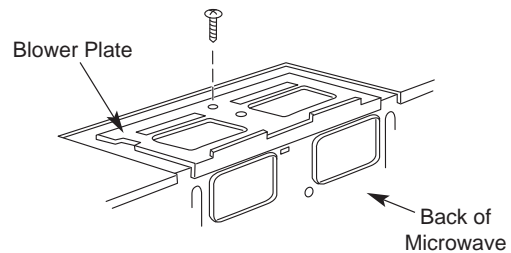
You need to cut an opening in the rear wall for outside exhaust.

- Read the instructions on the **REAR WALL TEMPLATE**.
- Tape it to the rear wall, lining up with the holes previously drilled for holes A and B in the wall plate.
- Cut the opening, following the instructions of the **REAR WALL TEMPLATE**.



B2 REMOVE BLOWER PLATE

Remove and save the screw that holds the blower plate to the microwave. Lift off the blower plate.



Installation Instructions

B OUTSIDE BACK EXHAUST (HORIZONTAL DUCT)

B3 ATTACH THE MOUNTING PLATE TO THE WALL

Attach the plate to the wall using toggle bolts. At least one wood screw must be used to attach the plate to a wall stud.

1. Remove the toggle wings from the bolts.
2. Insert the bolts into the mounting plate through the holes designated to go into drywall and reattach the toggle wings to $\frac{3}{4}$ " (19 mm) onto each bolt.

TO USE TOGGLE BOLTS:

3. Place the mounting plate against the wall and insert the toggle wings into the holes in the wall to mount the plate.

NOTE: Before tightening toggle bolts and wood screw, make sure the tabs on the mounting plate touch the bottom of the cabinet when pushed flush against the wall and that the plate is properly centered under the cabinet.

CAUTION Be careful to avoid pinching fingers between the back of the mounting plate and the wall.

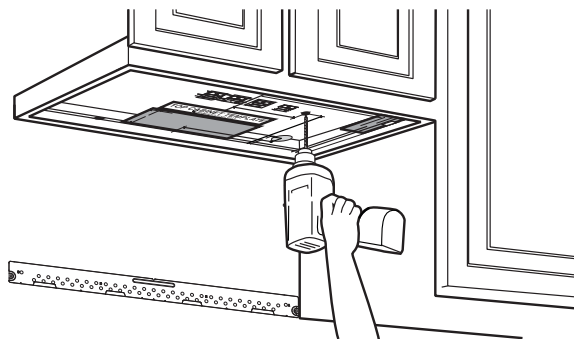
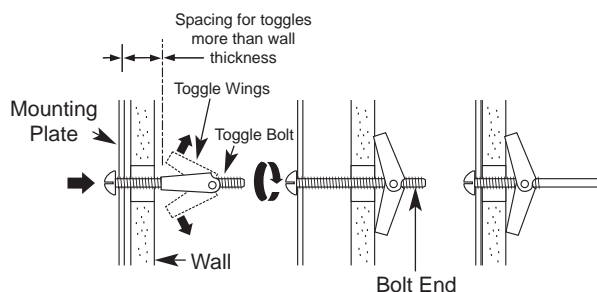
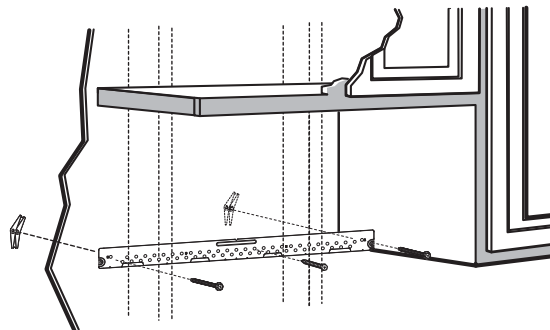
4. Tighten all bolts. Pull the plate away from the wall to help tighten the bolts.

B4 USE TOP CABINET TEMPLATE FOR PREPARATION OF TOP CABINET

You need to drill holes for the top support screws, a hole large enough for the power cord to fit through.

- Read the instructions on the **TOP CABINET TEMPLATE**.
- Tape it underneath the top cabinet.
- Drill the holes, following the instructions on the **TOP CABINET TEMPLATE**.

CAUTION Wear safety goggles when drilling holes in the cabinet bottom.

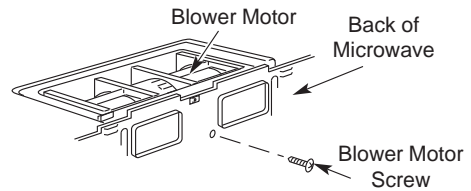


Installation Instructions

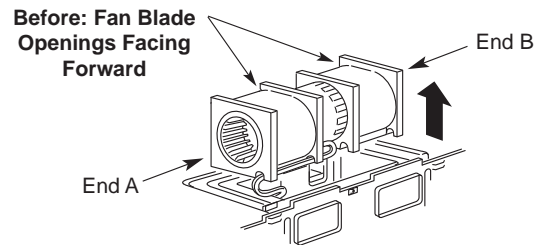
B OUTSIDE BACK EXHAUST (HORIZONTAL DUCT)

B5 ADAPTING MICROWAVE BLOWER FOR OUTSIDE BACK EXHAUST

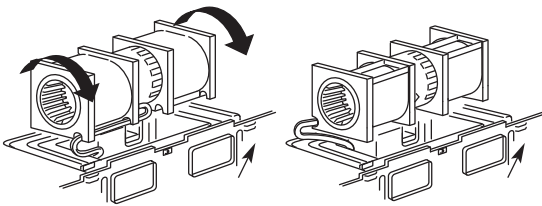
1. Remove and save screw that holds blower motor to microwave.



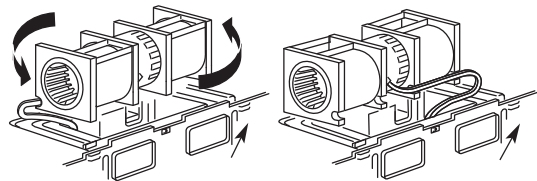
2. Carefully pull out the blower unit. The wires will extend far enough to allow you to adjust the blower unit.



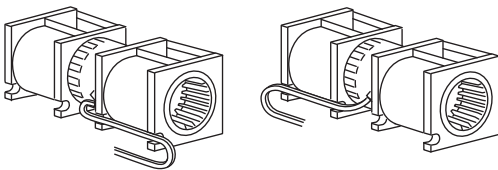
3. Roll the blower unit 90°.



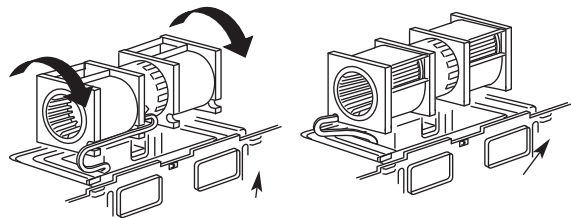
4. Roll the blower unit counterclockwise 180°.



5. Gently remove the wires from the grooves. Reroute the wires through grooves on other side of the blower unit.

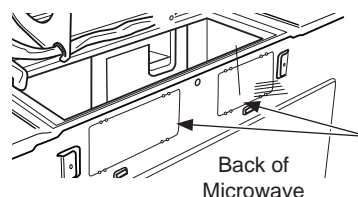


6. Roll the blower unit 90° so that fan blade openings are facing out the back of the microwave.



7. Remove the knockout plates in the back of the unit with snips.

CAUTION Be sure to trim the sharp edges from the openings after removing the knockout plates.



Knockout Plates: Snip all 4 webs on each knockout panel and remove the metal knockouts for rear airflow. Please take care to remove any sharp edges created from removing the knockout plates.

Installation Instructions

B OUTSIDE BACK EXHAUST (HORIZONTAL DUCT)

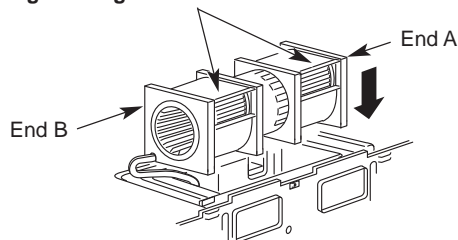
B5 ADAPTING MICROWAVE BLOWER FOR OUTSIDE BACK EXHAUST

8. Place the blower unit back into the opening.

CAUTION Do not pull or stretch the blower unit wiring. Make sure the wires are not pinched, and that they are properly secured.

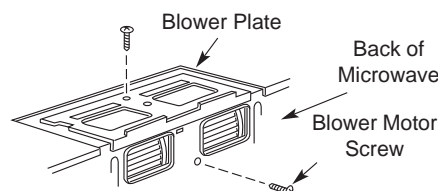
NOTE: The blower unit exhaust openings should match exhaust openings on rear of microwave oven.

After: Fan Blade
Openings Facing Back

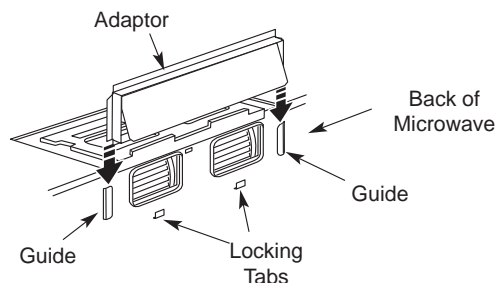


9. Secure the blower unit to the microwave with the original screw.

10. Replace the blower plate in the same position as before with the screw. Make sure the screw is tight.



11. Attach the exhaust adaptor to the rear of the oven by sliding it into the guides at the top center of the back of the oven. Push in securely until it is in the lower locking tabs. Take care to assure that the damper hinge is installed so that it is at the top and that the damper swings freely.



B6 MOUNT THE MICROWAVE OVEN

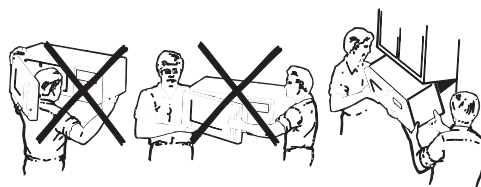
FOR EASIER INSTALLATION AND PERSONAL SAFETY, WE RECOMMEND THAT TWO PEOPLE INSTALL THIS MICROWAVE OVEN.

IMPORTANT: Do not grip or use handle during installation.

NOTE: If your cabinet is metal, use the nylon grommet around the power cord hole to prevent cutting of the cord.

NOTE: We recommend using filler blocks if the cabinet front hangs below the cabinet bottom shelf.

IMPORTANT: If filler blocks are not used, case damage may occur from overtightening screws.

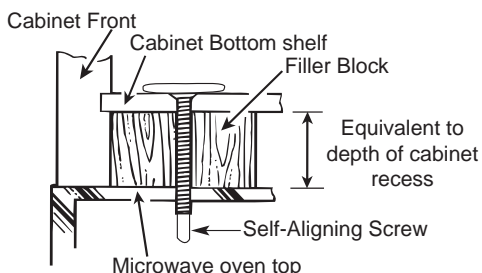


Installation Instructions

B OUTSIDE BACK EXHAUST (HORIZONTAL DUCT)

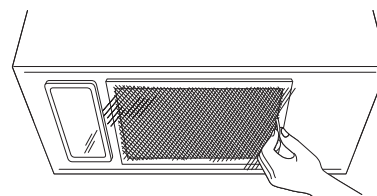
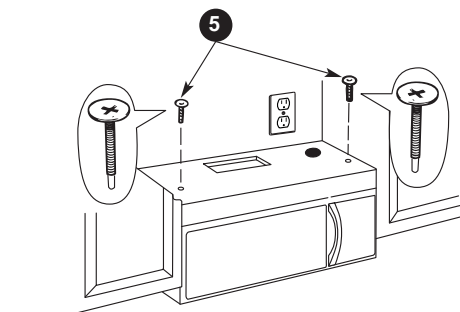
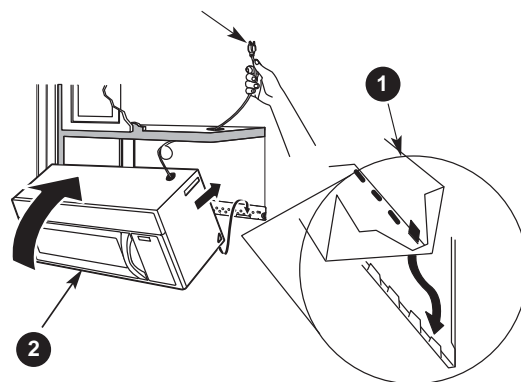
B6 MOUNT THE MICROWAVE OVEN

1. Lift microwave, tilt it forward, and hook slots at back bottom edge onto four lower tabs of mounting plate.
2. Rotate front of oven up against cabinet bottom.
3. Insert a self-aligning screw through top center cabinet hole. Temporarily secure the oven by turning the screw at least two full turns after the threads have engaged. (It will be completely tightened later.) Be sure to keep power cord tight. Be careful not to pinch the cord, especially when mounting flush to bottom of cabinet.
4. Attach the microwave oven to the top cabinet.



5. Insert 2 self-aligning screws through outer top cabinet holes. Turn two full turns on each screw.
6. Tighten the outer two screws to the top of the microwave oven. (While tightening screws, hold the microwave oven in place against the wall and the top cabinet.)
7. Install grease filters. See the Owner's Manual packed with the microwave.

NOTE: When mounting the microwave oven, thread power cord through hole in bottom of top cabinet. Keep it tight throughout Steps 1–3. Do not pinch cord or lift oven by pulling cord.



Installation Instructions

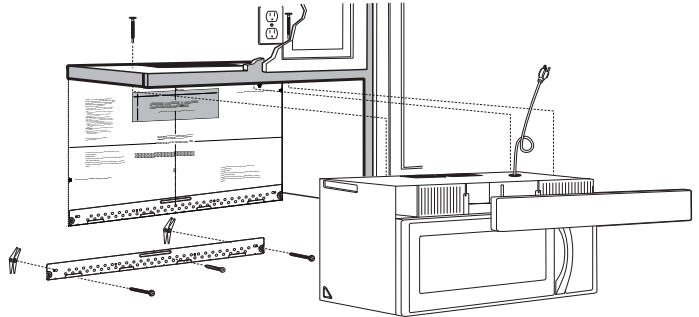
C RECIRCULATING (NON-VENTED DUCTLESS)

INSTALLATION OVERVIEW

- C1. Attach Mounting Plate to Wall
- C2. Prepare Top Cabinet
- C3. Check Blower Plate
- C4. Mount the Microwave Oven
- C5. Install or change Charcoal Filter

IMPORTANT NOTES:

- Make sure the screws for the blower motor and blower plate are securely tightened when they are reinstalled. This will help to prevent excessive vibration.
- Make sure the motor wiring has been properly routed and secured, and that the wires are not pinched.



C1 ATTACH THE MOUNTING PLATE TO THE WALL

Attach the plate to the wall using toggle bolts. At least one wood screw must be used to attach the plate to a wall stud.

1. Remove the toggle wings from the bolts.
2. Insert the bolts into the mounting plate through the holes designated to go into drywall and reattach the toggle wings to $\frac{3}{4}$ " (19 mm) onto each bolt.

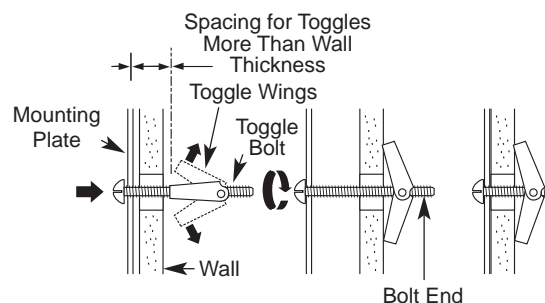
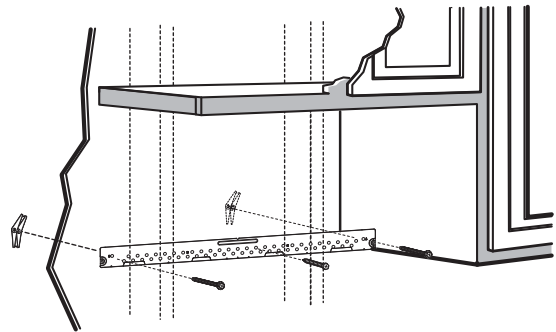
TO USE TOGGLE BOLTS:

3. Place the mounting plate against the wall and insert the toggle wings into the holes in the wall to mount the plate.

NOTE: Before tightening toggle bolts and wood screw, make sure the tabs on the mounting plate touch the bottom of the cabinet when pushed flush against the wall and that the plate is properly centered under the cabinet.

CAUTION Be careful to avoid pinching fingers between the back of the mounting plate and the wall.

4. Tighten all bolts. Pull the plate away from the wall to help tighten the bolts.



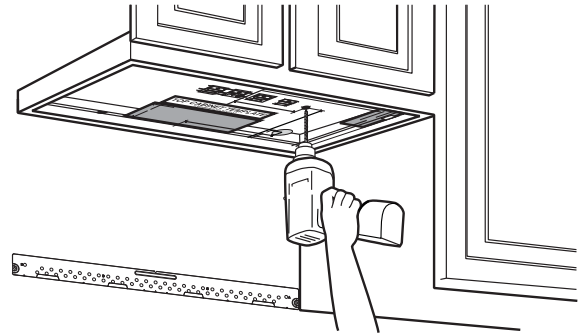
Installation Instructions

C RECIRCULATING (NON-VENTED DUCTLESS)

C2 USE TOP CABINET TEMPLATE FOR PREPARATION OF TOP CABINET

You need to drill holes for the top support screws, a hole large enough for the power cord to fit through.

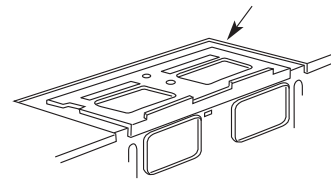
- Read the instructions on the **TOP CABINET TEMPLATE**.
- Tape it underneath the top cabinet.
- Drill the holes, following the instructions on the **TOP CABINET TEMPLATE**.



CAUTION Wear safety goggles when drilling holes in the cabinet bottom.

C3 CHECK BLOWER PLATE

- Place the microwave in its upright position, with the top of the unit facing up.
- Check to see that the blower plate is correctly installed on the unit.



C4 MOUNT THE MICROWAVE OVEN

FOR EASIER INSTALLATION AND PERSONAL SAFETY, WE RECOMMEND THAT TWO PEOPLE INSTALL THIS MICROWAVE OVEN.

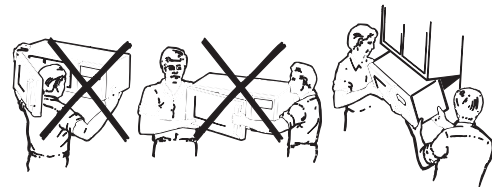
IMPORTANT: Do not grip or use handle during installation.

NOTE: If your cabinet is metal, use the nylon grommet around the power cord hole to prevent cutting of the cord.

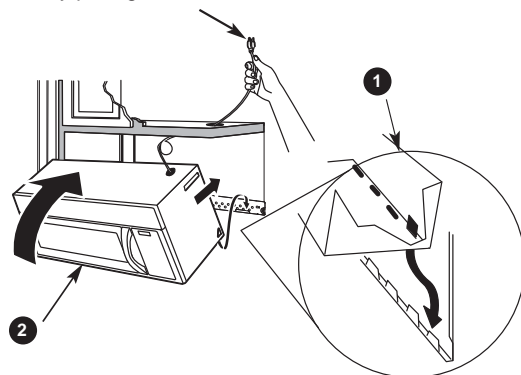
1. Lift microwave, tilt it forward, and hook slots at back bottom edge onto four lower tabs of mounting plate.
2. Rotate front of oven up against cabinet bottom.

NOTE: We recommend using filler blocks if the cabinet front hangs below the cabinet bottom shelf.

IMPORTANT: If filler blocks are not used, case damage may occur from overtightening screws.



NOTE: When mounting the microwave oven, thread power cord through hole in bottom of top cabinet. Keep it tight throughout Steps 1–3. Do not pinch cord or lift oven by pulling cord.

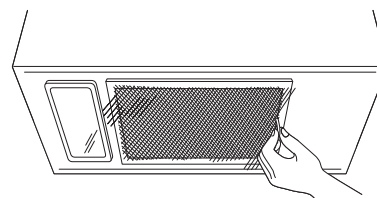
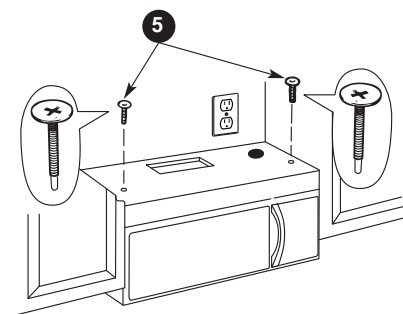
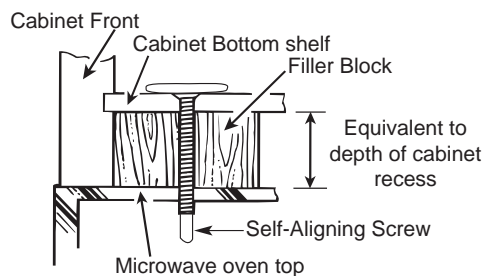


Installation Instructions

C RECIRCULATING (NON-VENTED DUCTLESS)

C4 MOUNT THE MICROWAVE OVEN

3. Insert a self-aligning screw through top center cabinet hole. Temporarily secure the oven by turning the screw at least two full turns after the threads have engaged. (It will be completely tightened later.) Be sure to keep power cord tight. Be careful not to pinch the cord, especially when mounting flush to bottom of cabinet.
4. Attach the microwave oven to the top cabinet.
5. Insert 2 self-aligning screws through outer top cabinet holes. Turn two full turns on each screw.
6. Tighten the outer two screws to the top of the microwave oven. (While tightening screws, hold the microwave oven in place against the wall and the top cabinet.)
7. Install grease filters. See the Owner's Manual packed with the microwave.

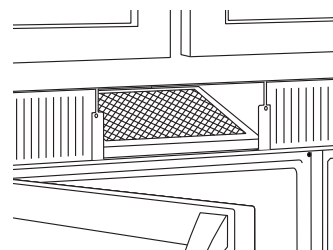
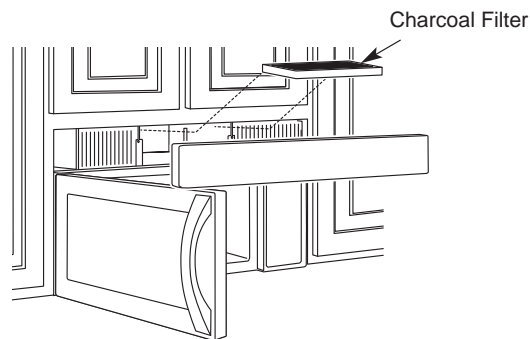


C5 INSTALLING OR CHANGE THE CHARCOAL FILTER

⚠ WARNING Risk of Electric Shock. Disconnect power before replacing charcoal filters, cavity lamps, or cooktop surface lamps.

NOTE: The charcoal filter is factory installed. Follow these steps to replace a filter or to install a filter after converting a vented model to recirculating operation.

1. Remove screws on top of grille using a #1 Phillips screwdriver.
2. Open the door.
3. Remove the grille. Pull the grille straight off.
4. Install the charcoal filter. When properly installed, the wire mesh of the filter should be visible from the front.
5. Replace the grille and the screws.
6. Close the door.



Insert Mesh-Side Up

Installation Instructions

BEFORE YOU USE YOUR MICROWAVE

1. Make sure the microwave oven has been installed according to instructions.

INSTALLATION
INSTRUCTIONS

6. Read the Owner's Manual.

OWNER'S
MANUAL

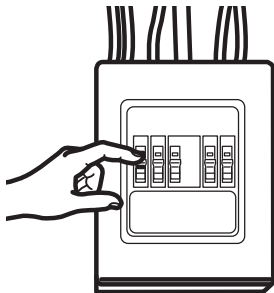
2. Remove all packing material from the microwave oven.

7. KEEP INSTALLATION INSTRUCTIONS FOR THE LOCAL INSPECTOR'S USE.

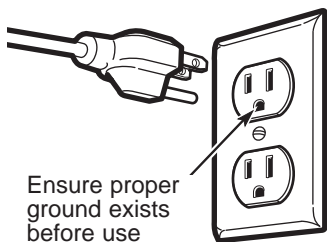
INSTALLATION
INSTRUCTIONS

3. Install turntable and ring in cavity.

4. Replace house fuse or turn breaker back on.



5. Plug power cord into a dedicated 15- to 20-amp electrical outlet.



Ensure proper
ground exists
before use

Notes

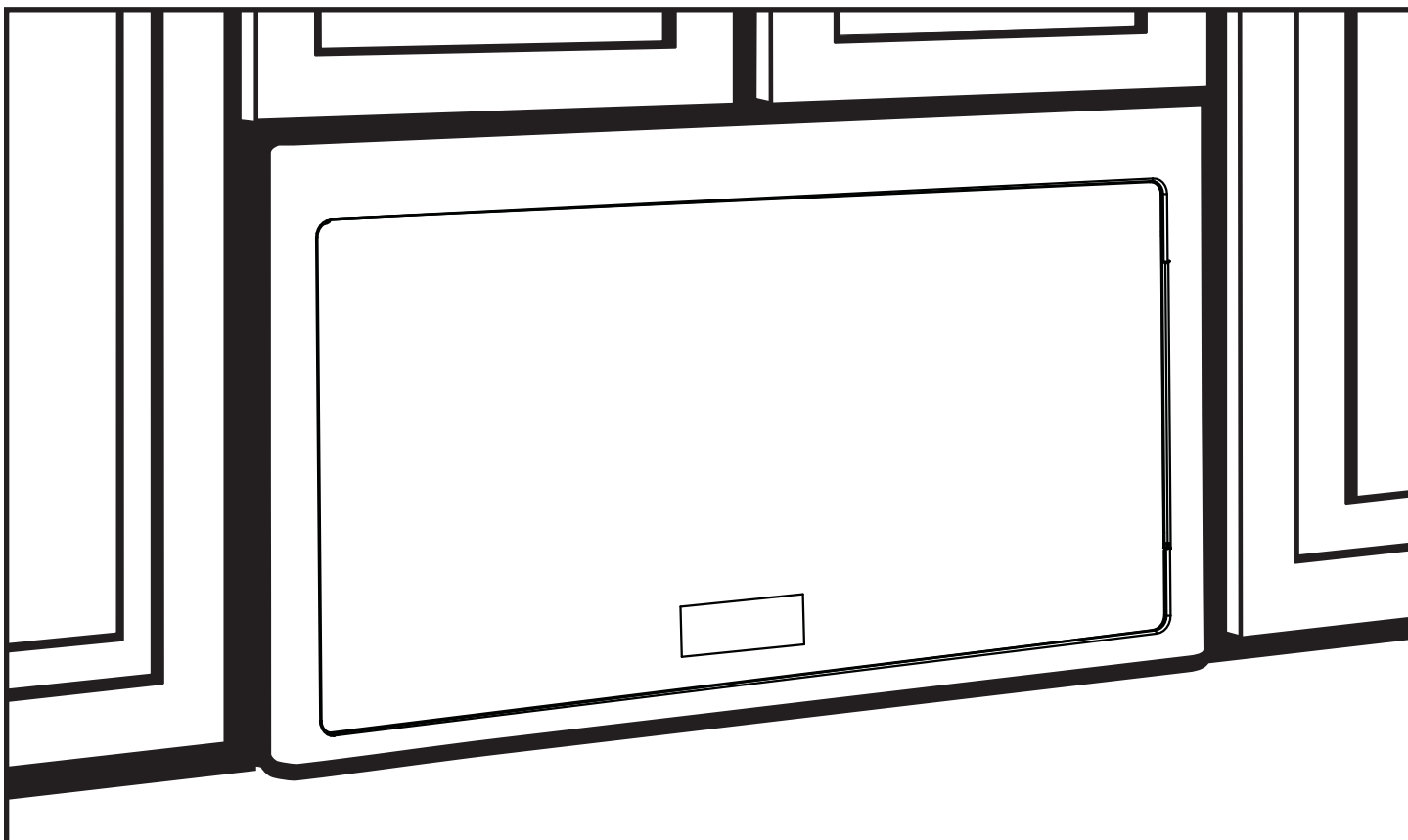
Instrucciones de instalación

Horno microondas para colocar encima de la estufa

ANTES DE EMPEZAR

Lea estas instrucciones completa y cuidadosamente.

- **IMPORTANTE** — Guarde estas instrucciones para el uso del inspector local.
- **IMPORTANTE** — Cumpla con todos los códigos y ordenanzas gubernamentales.
- **Nota para el instalador** — Asegúrese de dejar estas instrucciones con el consumidor.
- **Nota para el consumidor** — Guarde estas instrucciones para futura referencia.
- **Nivel de destrezas** — La instalación de este aparato requiere de destrezas básicas de mecánica y electricidad.
- La instalación apropiada es responsabilidad del instalador.
- La falla del producto debido a una instalación inapropiada no está cubierta por la garantía.



**LEA CUIDADOSAMENTE.
GUARDE ESTAS INSTRUCCIONES.**

Instrucciones de Instalación

INSTRUCCIONES DE SEGURIDAD IMPORTANTES

! Éste es el símbolo de alerta de seguridad. El mismo alerta sobre potenciales riesgos que le pueden producir la muerte o lesiones tanto a usted como a otras personas. Todos los mensajes de seguridad estarán a continuación del símbolo de alerta de seguridad y con la palabra “PELIGRO”, “ADVERTENCIA” o “PRECAUCIÓN”. Estas palabras se definen como:

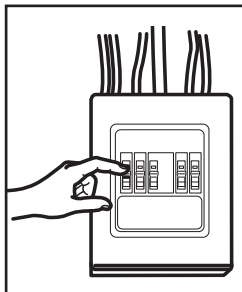
▲ PELIGRO Indica una situación de riesgo que, si no se evita, **producirá** la muerte o lesiones graves.

▲ ADVERTENCIA Indica una situación de riesgo que, si no se evita, **podría** producir la muerte o lesiones graves.

▲ PRECAUCIÓN Indica una situación de riesgo que, si no se evita, podría resultar en lesiones menores o moderadas.

IMPORTANTES INSTRUCCIONES DE SEGURIDAD

Este producto requiere un tomacorriente eléctrico de tres patas conectado a tierra. El instalador debe llevar a cabo una inspección de continuidad a tierra en la caja eléctrica antes de comenzar la instalación para asegurar que la caja tomacorriente está conectada a tierra de manera apropiada. Si no lo está, o si el tomacorriente no cumple con los requisitos eléctricos indicados (bajo la sección REQUISITOS ELÉCTRICOS), se deberá recurrir a un técnico calificado para corregir cualquier deficiencia.



▲ ADVERTENCIA
Riesgo de Descarga Eléctrica. Para seguridad personal, remueva el fusible de la casa o abra el interruptor de circuito antes de comenzar la instalación para evitar descargas eléctricas severas o fatales.



Asegúrese de contar con una conexión a tierra adecuada antes de usar.

▲ ADVERTENCIA
Riesgo de Descarga Eléctrica. Puede ocasionar lesiones o la muerte: ESTE ELECTRODOMÉSTICO SE DEBE CONECTAR A TIERRA DE FORMA CORRECTA a fin de evitar descargas severas o mortales.

El cable de corriente de este electrodoméstico contiene un enchufe de 3 patas (conexión a tierra) que se conecta a un tomacorriente de pared estándar de 3 cables (conexión a tierra) para minimizar la posibilidad de riesgos de descargas eléctricas por parte del mismo.

Cuando se encuentre un tomacorriente de pared de dos enchufes, se deberá reemplazar por uno conectado a tierra de forma adecuada de tres cables, y deberá ser instalado por un electricista calificado.

▲ ADVERTENCIA **Riesgo de Descarga Eléctrica. Puede ocasionar lesiones o la muerte: NUNCA, bajo ninguna circunstancia, corte, deforme o elimine ninguna de las puntas de los cables de corriente. No use un prolongador. Si no se cumple con esto, se podrán producir incendios.**

REQUISITOS ELÉCTRICOS

La clasificación del producto es de 120 vatios CA (AC), 60 hertz, 13 amperios, y 1.5 kilovatios. Este producto debe estar conectado a un circuito de suministro del voltaje y frecuencia apropiados. El tamaño del alambre debe conformarse a los requisitos del National Electric Code o al código local en efecto para este índice de kilovatios. El cable eléctrico de alimentación y el interruptor deberán llevarse a un tomacorriente único conectado a tierra de 15 a 20 amperios. La caja del tomacorriente deberá estar localizada en el gabinete encima del horno. La caja del tomacorriente debe ser instalada por un electricista calificado y debe conformarse al National Electrical Code o al código local en efecto.

▲ PRECAUCIÓN **Por razones de seguridad, la superficie de montaje deberá poder soportar la carga del gabinete, sumado al peso agregado de este producto de entre 63 y 85 libras, además de cargas adicionales en el horno de hasta 50 libras o un peso total de entre 113 y 135 libras.**

▲ PRECAUCIÓN **Por razones de seguridad, este producto no se puede instalar en arreglos de gabinete tales como una isla o península. Se debe montar TANTO a un gabinete superior COMO a una pared.**

▲ PRECAUCIÓN **A fin de evitar el riesgo de lesión personal (lesión en la espalda u otras lesiones debido a peso excesivo del horno de microondas) o daños sobre el producto, deberá contar con la ayuda de dos personas para instalar este horno de microondas.**

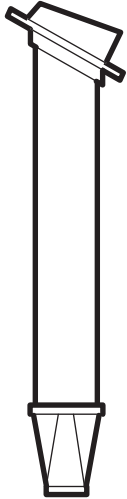
Instrucciones de Instalación

CAMPANA DE ESCAPE

NOTA: Lea las siguientes dos páginas solamente si planea ventilar el escape hacia el exterior. Si por el contrario planea recircular el aire de vuelta hacia el salón, continúe en la página 5.

ESCAPE SUPERIOR EXTERNO (EJEMPLO SOLAMENTE)

La siguiente tabla describe un ejemplo de una posible instalación de red de conductos.

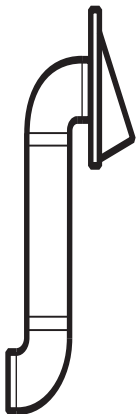


PARTES DEL CONDUCTO		LONGITUD EQUIVALENTE	X	NÚMERO USADO	=	LONGITUD EQUIVALENTE
	Tapa del techo	24 pies	X	(1)	=	24 pies
	Conducto recto de 12 pies (redondo de 6")	12 pies		(1)		12 pies
	Adaptador de transición de rectángulo a redondo*	5 pies		(1)		5 pies
La longitud de las partes de los conductos equivalentes está basada en pruebas reales y reflejan los requisitos para lograr una buena ventilación con cualquier campana de escape.						
Longitud total					=	41 pies

***IMPORTANTE:** Si se usa un adaptador de transición de rectángulo a redondo, las esquinas del fondo del regulador de tiros deberán cortarse para que encajen, usando las tijeras de corte, para permitir el movimiento libre del regulador de tiros.

ESCAPE POSTERIOR EXTERNO (EJEMPLO SOLAMENTE)

La siguiente tabla describe un ejemplo de una posible instalación de red de conductos.



PARTES DEL CONDUCTO		LONGITUD EQUIVALENTE	X	NÚMERO USADO	=	LONGITUD EQUIVALENTE
	Tapa de pared	40 pies	X	(1)	=	40 pies
	Conducto recto de 3 pies (rectangular de 3¼" x 10")	3 pies		(1)		3 pies
	Codo de 90°	10 pies		(2)		20 pies
La longitud de las partes de los conductos equivalentes está basada en pruebas reales y reflejan los requisitos para lograr una buena ventilación con cualquier campana de escape.						
Longitud total					=	63 pies

NOTA: Para el escape posterior, se debe tener cuidado al alinear el escape entre los espacios de los postes de viga de la pared, o la pared debería ser preparada en el momento de su construcción dejando suficiente espacio entre los postes de viga de la pared para acomodar el escape.

Instrucciones de Instalación

NOTA: Si usted necesita instalar conductos, tenga pendiente que la longitud total del conducto rectangular de 3¼" x 10" o el conducto redondo de 6" de diámetro **no debe sobrepasar 140 pies equivalentes**.

La ventilación externa requiere un **CONDUCTO DE CAMPANA DE ESCAPE**. Lea lo siguiente cuidadosamente.

NOTA: Es importante que la ventilación sea instalada usando la ruta más directa y con la menor cantidad de codos posible. Esto asegura la ventilación del escape y ayuda a prevenir bloqueos. También, cerciórese de que el regulador de tiro pende libremente y nada bloquea los conductos.

Conexiones de escape:





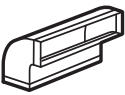
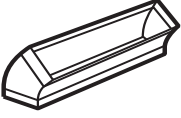


La campana de escape ha sido diseñada para encajar con un conducto rectangular de 3¼" x 10" estándar.


Si un conducto redondo es necesario, se debe usar un adaptador de transición de rectangular a redondo. **No use un conducto menor de 6" de diámetro.**

Longitud máxima del conducto:

Para lograr un movimiento satisfactorio del aire, la longitud total del conducto rectangular de 3¼" x 10" o el conducto redondo de 6" de diámetro **no debe sobrepasar 140 pies equivalentes**.

Los codos, transiciones, paredes y tapas de techo, etc., presentan resistencia adicional al flujo de aire y son equivalentes a una sección de conducto recto el cual es más largo que su tamaño físico real. Cuando calcule la longitud total del conducto, agregue las longitudes equivalentes de todas las transiciones y adaptadores, más la longitud de todas las secciones de conducto rectas. La tabla más adelante muestra cómo puede calcular la longitud aproximada de la red de conductos usando pies aproximados de longitudes equivalentes de algunos conductos típicos.

PARTES DEL CONDUCTO		LONGITUD EQUIVALENTE	X	NÚMERO USADO	=	LONGITUD EQUIVALENTE
	Tapa de pared	5 pies	X	(___)	=	___ pies
	Tapa de pared	40 pies		(___)		___ pies
	Codo de 90°	10 pies		(___)		___ pies
	Codo de 45°	5 pies		(___)		___ pies
	Codo de 90°	25 pies		(___)		___ pies
	Codo de 45°	5 pies		(___)		___ pies
	Tapa de techo	24 pies		(___)		___ pies
	Conducto recto de 6" redondo o rectangular de 3¼" x 10"	1 pies		(___)		___ pies
				Conductos totales	=	___ pies

 *** IMPORTANTE:** Si se usa un adaptador de transición de rectángulo a redondo, las esquinas del fondo del regulador de tiros deberán ser cortadas para que encajen, usando las tijeras de corte, para permitir el movimiento libre del regulador de tiros.

La longitud de las partes de conductos equivalentes está basada en pruebas reales y reflejan los requisitos para lograr una buena ventilación con cualquier campana de escape.


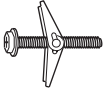


Instrucciones de Instalación

DAÑO – ENVÍO/ INSTALACIÓN

- Si la unidad se daña durante el envío, devuelva la unidad a la tienda donde fue comprada para su reparación o reemplazo.
- Si la unidad es dañada por el cliente, la reparación o reemplazo es responsabilidad del cliente.
- Si la unidad es dañada por el instalador (si no es el cliente), la reparación o reemplazo deberá ser realizado por arreglo entre el cliente y el instalador.

PARTES INCLUIDAS

PAQUETE DE PIEZAS

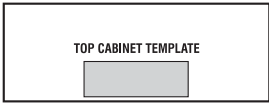
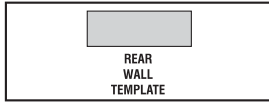

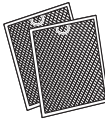
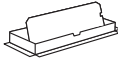


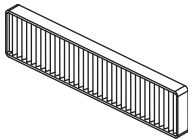
Parte	Cantidad
 Tornillos de Madera (3/16" x 2")	2
 Tornillos con resorte y tuercas mariposa (1/4" x 3")	4
 Tornillo de Máquina con Auto Alineación (1/4"-28 x 3-1/4")	3
 Arandela Aislante de Nylon (para gabinetes metálicos)	2

Encontrará las piezas de instalación dentro de un paquete con la unidad. Asegúrese de que se encuentren todas las piezas.

NOTA: Se incluyen algunas piezas adicionales.

PARTES INCLUIDAS

PIEZAS ADICIONALES

Parte	Cantidad
 Plantilla del Gabinete Superior	1
 Plantilla de la Pared Trasera	1
 Instrucciones de Instalación	1
 Filtro de Grasa en Paquete Separado	2
 Adaptador del Escape	1
 Charola de Vidrio	1
 Anillo del Plato Giratorio	1
 Filtro de Carbón (Preinstalado en el Producto)	1

Instrucciones de Instalación

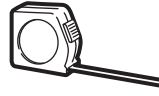
HERRAMIENTAS NECESARIAS



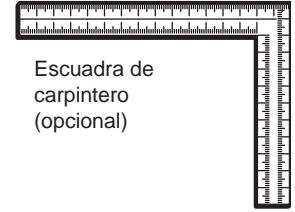
Destornillador Phillips n°1 y n°2



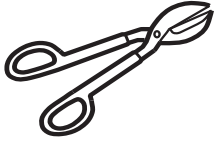
Lápiz



Regla o cinta métrica y extremo recto



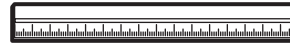
Escuadra de carpintero (opcional)



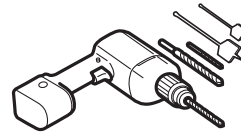
Tijeras para hojalata (para cortes en reguladores, si se requiere)



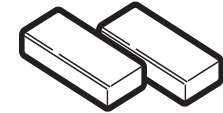
Tijeras (para cortar plantillas, si es necesario)



Regla o cinta métrica y extremo recto



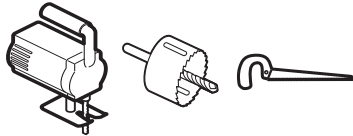
Taladro eléctrico con brocas de 3/16", 7/16", 1/2", y 5/8"



Bloques de llenado o piezas de fragmentos de madera, si son necesarios para generar espacio en el gabinete superior (usados en instalaciones de gabinetes inferiores ahuecados únicamente)



Guantes



Sierra (sable, agujero o cerradura)



Detector de montantes



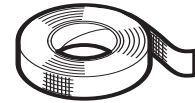
Martillo (opcional)



Gafas de seguridad

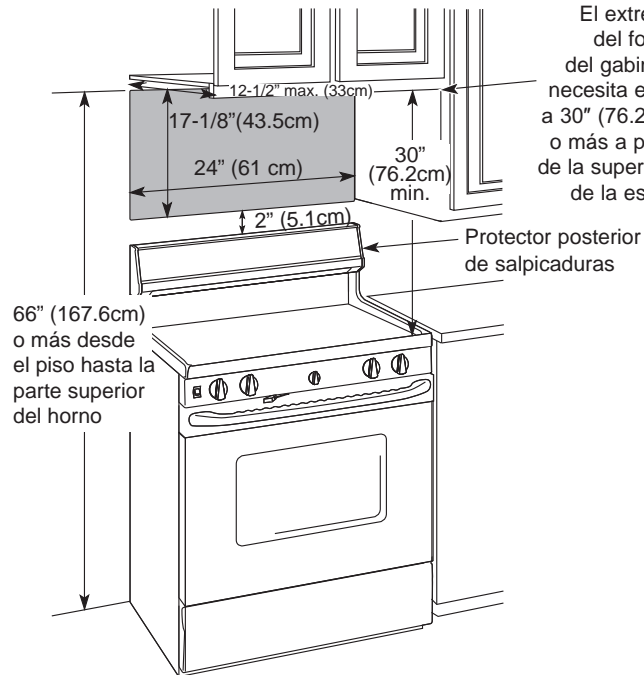


Nivel



Cinta para conductos y de mascarar

ESPACIO DE MONTAJE



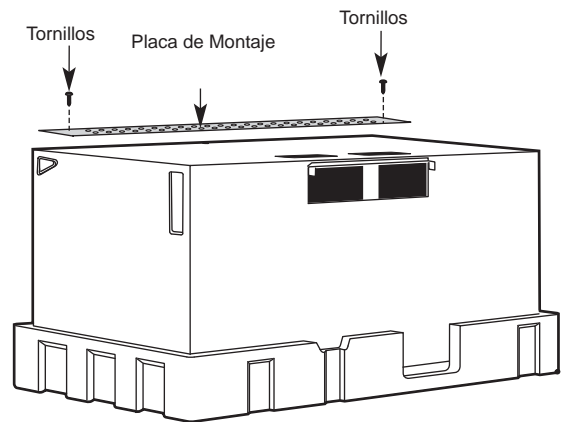
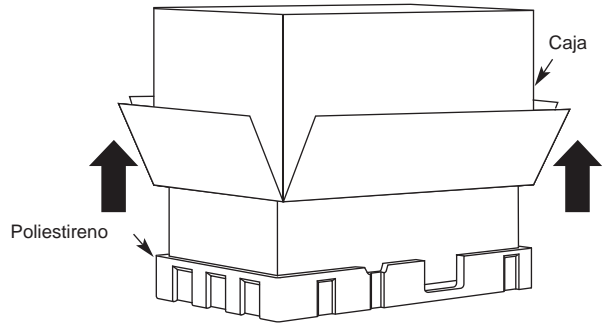
- El espacio entre los gabinetes debe ser de 24" de ancho y debe estar libre de obstrucciones.
- Este aparato debe montarse únicamente encima nivel de la encimera.
- Este horno es para instalación en cocinas de hasta 36" de ancho.
- Si usted se dispone a ventilar su horno hacia el exterior, ver la Sección de Campana de Escape para la preparación del conducto de escape.
- Cuando se instale el horno debajo de gabinetes de fondos lisos y planos, tenga cuidado de seguir cuidadosamente las instrucciones en la plantilla del gabinete superior para el espacio de tolerancia del cable eléctrico.
- Para modelos con hoyos de ventilación superiores: No permita que el gabinete u otros objetos bloqueen el flujo de aire de la ventilación.
- Este microondas es apto para su instalación sobre electrodomésticos de cocción eléctrica o a gas con un BTU combinado de 63,000 BTU o menos.
- Los electrodomésticos de cocción a gas de la marca Café sólo se deberán instalar en combinación con un microondas sobre la estufa de la marca Café.
- Los electrodomésticos de cocción a gas de la marca Monogram sólo se deberán instalar en combinación con un microondas sobre la estufa de la marca Monogram.
- Los electrodomésticos de cocción a gas de la marca Monogram con un BTU combinado superior a 66,000 BTU no se deberán emparejar con un microondas sobre la estufa.

Instrucciones de Instalación

1 CÓMO COLOCAR EL PLATO DE MONTAJE

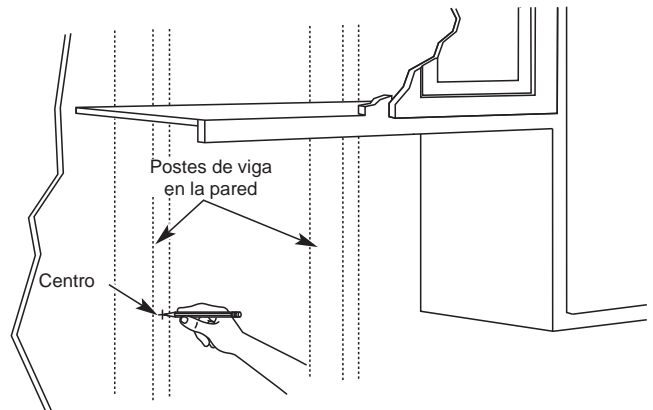
A. RETIRO DEL HORNO MICROONDAS DE LA CAJA DE CARTÓN/ RETIRO DE LA PLACA DE MONTAJE

- 1 Retire las instrucciones de instalación, filtros, charola de vidrio y la pequeña bolsa de materiales. No retire la gomaespuma que protege el frente del horno.
- 2 Pliegue hacia atrás las alas de la caja. Luego, cuidadosamente ruede el horno hasta que quede apoyado sobre la parte superior. El horno deberá descansar sobre la espuma de poliestireno.
- 3 Tire de la caja hacia arriba y retírela del horno.
- 4 Corte la parte intermedia de la bolsa de plástico para realizar el retiro.
- 5 Retire los tornillos desde la placa de montaje. Esta placa se usará como plantilla de la pared trasera y para el montaje. Reinstale los tornillos en los agujeros de los cuales fueron retirados.



B. CÓMO ENCONTRAR LOS POSTES DE VIGA EN LA PARED

- 1 Encuentre los postes, usando uno de los métodos siguientes:
 - A. Use un detector de postes – un dispositivo magnético que localiza clavos.
 - B. Use un martillo para golpear ligeramente a través de la superficie de montaje hasta encontrar un sonido sólido. Esto indicará que hay un poste de viga en ese lugar.
- 2 Después de localizar el poste o los postes de viga, encuentre el centro mediante el análisis de la pared usando un clavo pequeño para darse cuenta de dónde están los bordes del poste. Luego coloque una marca en el centro de los bordes. El centro de cualquier poste adyacente deberá ser entre 16" (40.6cm) ó 24" (61cm) desde esta marca.
- 3 Trace una línea hacia abajo indicando el centro del poste.

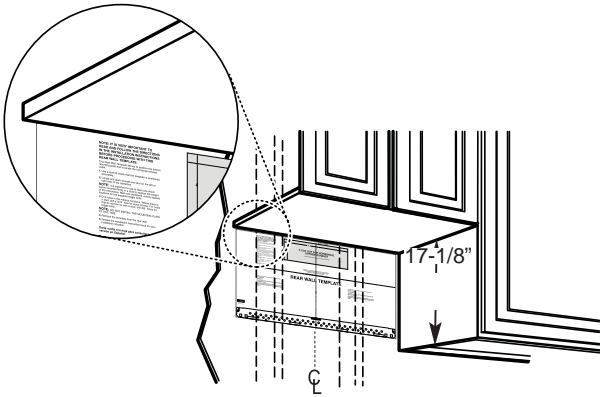


EL HORNO DEBE CONECTARSE POR LO MENOS A UN POSTE DE LA PARED.

Instrucciones de Instalación

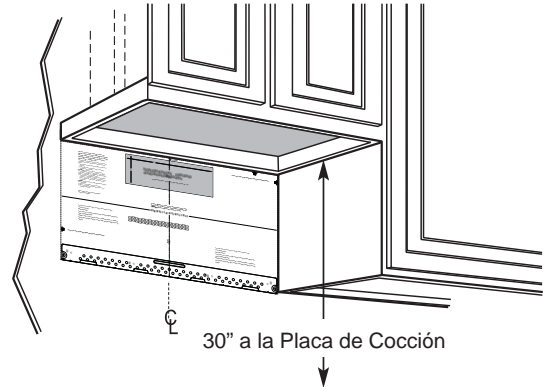
C. DETERMINACIÓN DE LA UBICACIÓN DE LA PLACA DE MONTAJE DEBAJO DEL GABINETE

Posición de la Placa – debajo del gabinete inferior plano



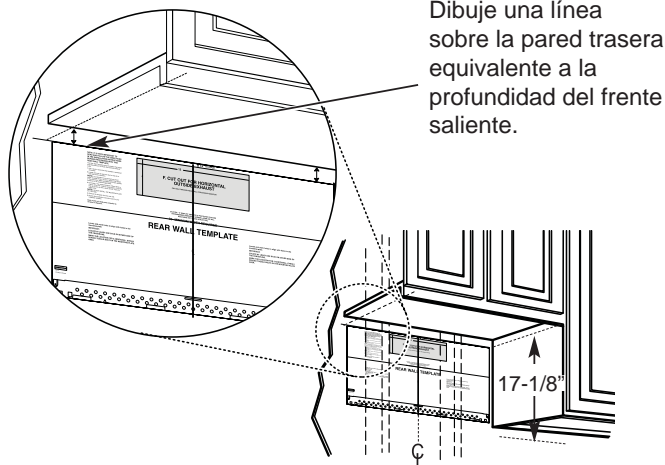
Dibuje una línea vertical en la pared en el centro del espacio de 30" de ancho. Enciente la Plantilla de la Pared Trasera sobre la pared que coincide con la línea central y que toca la parte inferior del gabinete.

Posición de la Placa – debajo del gabinete inferior empotrado con marco



Dibuje una línea vertical en la pared en el centro del espacio de 30". Enciente la Plantilla de la Pared Trasera sobre la pared que coincide con la línea central y que toca la parte inferior del marco del gabinete.

Posición de la Placa – debajo del gabinete inferior empotrado con frente saliente



Dibuje una línea sobre la pared trasera equivalente a la profundidad del frente saliente.

Es posible que sus gabinetes posean bordes decorativos que interfieran con la instalación del horno microondas. Retire el borde decorativo para instalar el horno microondas de forma adecuada y para que quede nivelado.

EL HORNO MICROONDAS DEBERÁ ESTAR NIVELADO

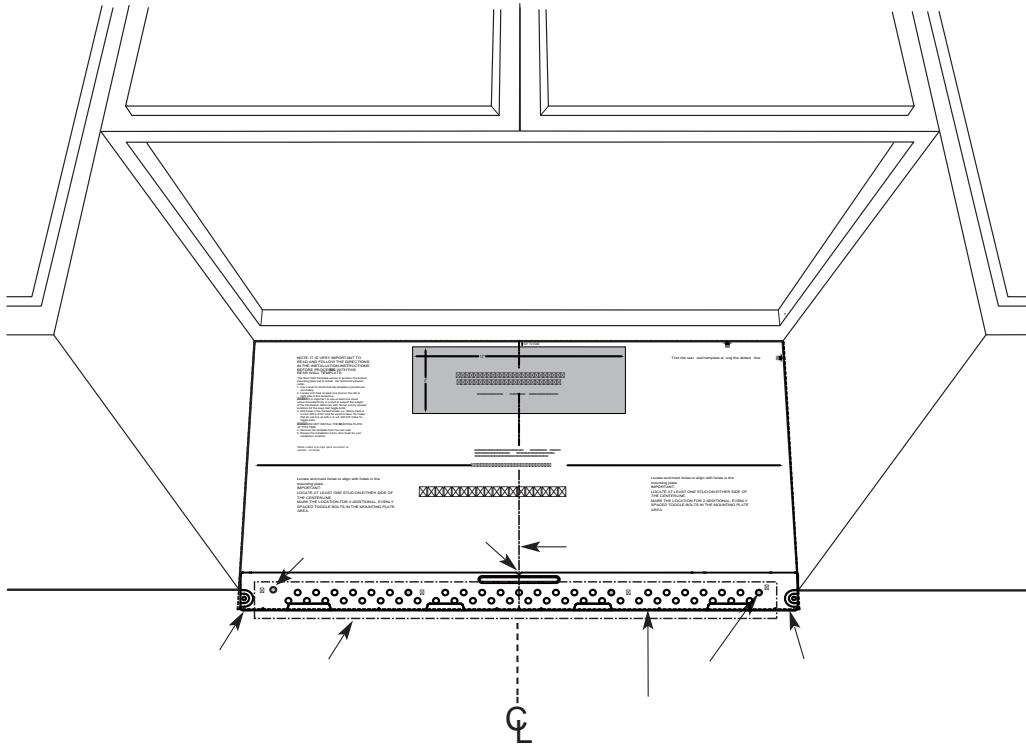
Use un nivel para asegurarse de que la parte inferior del gabinete esté nivelada.

Si los gabinetes cuentan con un solo frente saliente, sin marco trasero ni lateral, instale la placa de montaje a la misma distancia que la profundidad del frente saliente. Esto mantendrá el horno microondas nivelado.

1. Mida la profundidad interna del frente saliente.
2. Dibuje una línea horizontal en la pared trasera que posea la misma distancia debajo de la parte inferior del gabinete que la profundidad interior del frente saliente.
3. Para este tipo de instalación con frente saliente, alinee las lengüetas de montaje con la línea horizontal, sin tocar la parte inferior del gabinete como se describe en el paso D.

Instrucciones de Instalación

D. ALINEACIÓN DE LA PLACA DE PARED



⚠ PRECAUCIÓN Use guantes para evitar cortes de dedos en extremos puntiagudos.

⚠ ADVERTENCIA Riesgo de Descarga Eléctrica. Puede ocasionar lesiones o la muerte. Deberá tener cuidado de no taladrar sobre cableados eléctricos dentro de paredes o gabinetes.

1. Dibuje una línea vertical sobre la pared en el centro del espacio ancho de 24”.
2. Dibuje una línea horizontal en la pared sobre la parte inferior de la Plantilla de Pared Trasera.
3. Perfore agujeros de 5/8” para pernos de palanca en 2 ubicaciones (Agujero A, Agujero B), pero si la ubicación del agujero coincide con la ubicación del montaje, perfore un agujero de 3/16” para tornillo de madera. En otras palabras, no se podrá usar el perno de palanca en la ubicación del montaje.

NOTA: NO MONTE LA PLACA EN ESTE MOMENTO.

NOTA: Los agujeros A y B están dentro del área E. Si A y B no están en el montaje, busque el mismo en alguna parte del área E y dibuje un quinto círculo que se alinee con éste. Es importante usar por lo menos un tornillo de madera colocado de manera firme en un montaje para sostener el peso del horno microondas. Deje la placa de montaje a un costado.

Instrucciones de Instalación

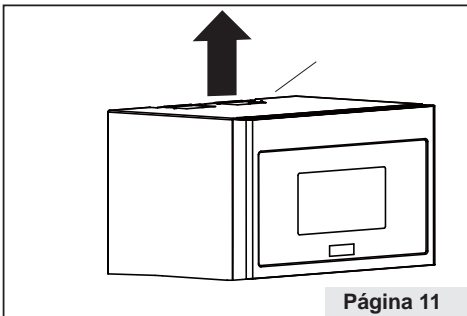
2 TIPOS DE INSTALACIÓN (Escoja A, B o C)

Este horno microondas está diseñado para adaptarse a los siguientes tres tipos de ventilación:

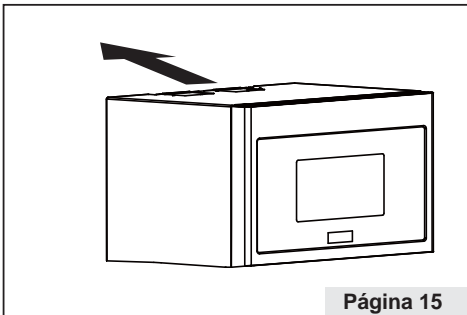
- A. Escape Superior Exterior (Conducto Vertical)
- B. Escape Exterior Trasero (Conducto Horizontal)
- C. Recirculación (Sin Conductos no Ventilados)

NOTA: Este horno microondas se envía embalado para Recirculación. Seleccione el tipo de ventilación requerida para su instalación y proceda a dicha sección.

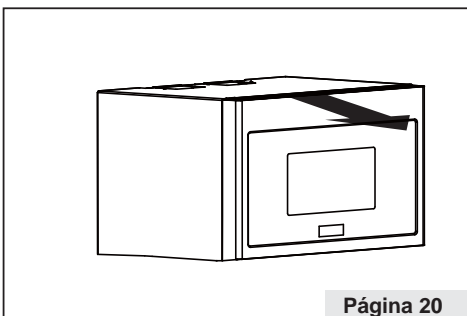
A. ESCAPE SUPERIOR EXTERIOR (CONDUCTO VERTICAL)



B. ESCAPE EXTERIOR TRASERO (CONDUCTO HORIZONTAL)



C. RECIRCULACIÓN (SIN CONDUCTOS NO VENTILADOS)



Se requiere un Kit de Accesorios con Filtro de Carbón (preinstalado en el producto) para el escape sin ventilación. (Consulte el número del kit en su Manual del Propietario).

Instrucciones de Instalación

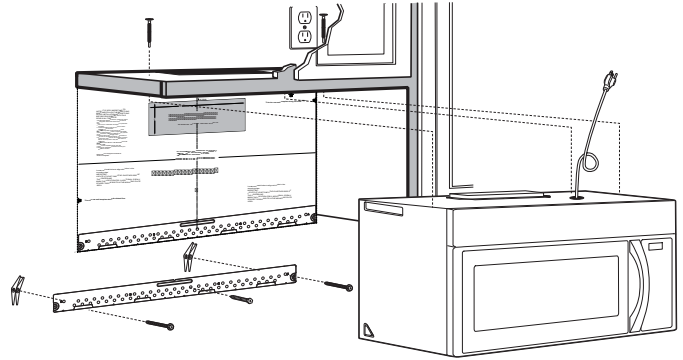
A ESCAPE SUPERIOR EXTERIOR (CONDUCTO VERTICAL)

INFORMACIÓN GENERAL SOBRE LA INSTALACIÓN

- A1. Adjunte la Placa de Montaje a la Pared
- A2. Prepare el Gabinete Superior
- A3. Adapte el Extractor del Microondas para que cuente con Escape Superior Hacia el Exterior
- A4. Controle el Funcionamiento del Regulador
- A5. Monte el Horno Microondas
- A6. Ajuste el Adaptador del Escape
- A7. Conecte la Tubería

NOTAS IMPORTANTES:

- Asegúrese de que los tornillos del motor del extractor y de la placa del extractor estén ajustados de forma segura una vez reinstalados. Esto ayudará a evitar vibraciones excesivas.
- Asegúrese de que el cableado del motor se haya conducido y asegurado de forma apropiada, y que los cables no se encuentren pellizcados.



A1 ADHIERA LA PLACA DE MONTAJE A LA PARED

Adhiera la placa a la pared usando tornillos con resortes. Por lo menos un tornillo de madera deberá ser usado para adherir la placa al montaje de pared.

1. Retire las tuercas mariposa de los pernos.
2. Inserte los tornillos en la placa de montaje a través de los agujeros designados para entrar en la placa de yeso y vuelva a ajustar las tuercas mariposa a 3/4" (19 mm.) sobre cada perno.

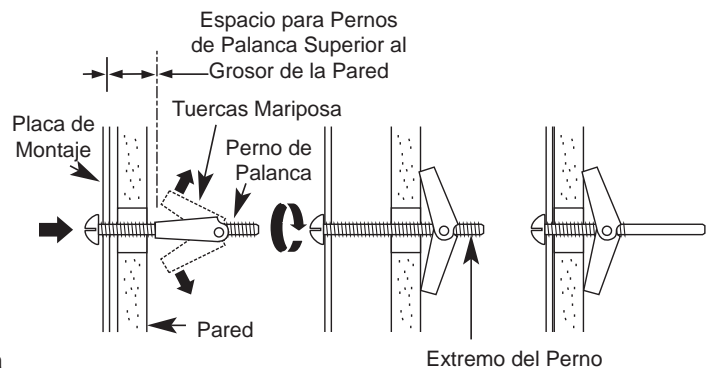
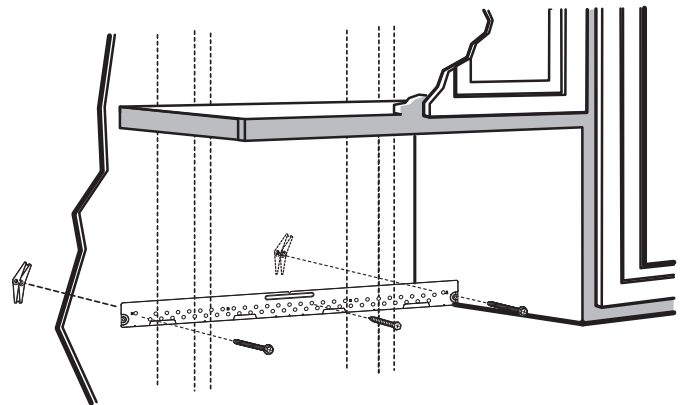
PARA USAR PERNOS DE PALANCA:

3. Coloque la placa de montaje contra la pared e inserte las tuercas mariposa en los agujeros de la pared para montar la placa.

NOTA: Antes de ajustar los pernos de palanca y el tornillo de madera, asegúrese de que las lengüetas sobre la placa de montaje toquen la parte inferior del gabinete cuando se las presione a nivel contra la pared y que la placa esté correctamente centrada debajo del gabinete.

PRECAUCIÓN: Tenga cuidado para evitar pellizcos en los dedos entre la parte trasera de la placa de montaje y la pared.

4. Ajuste todos los pernos. Empuje la placa hacia afuera de la pared para ayudar a ajustar los pernos.



Instrucciones de Instalación

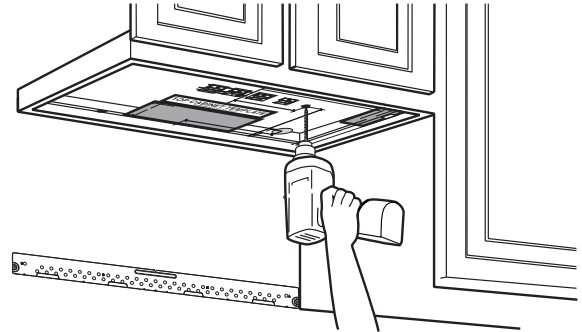
A ESCAPE SUPERIOR EXTERIOR (CONDUCTO VERTICAL)

A2 ADHIERA LA PLACA DE MONTAJE A LA PARED

Es necesario que haga agujeros para los tornillos de soporte de la parte superior, un agujero lo suficientemente grande para que el cable de corriente pueda pasar, y una abertura lo suficientemente grande para el adaptador del escape.

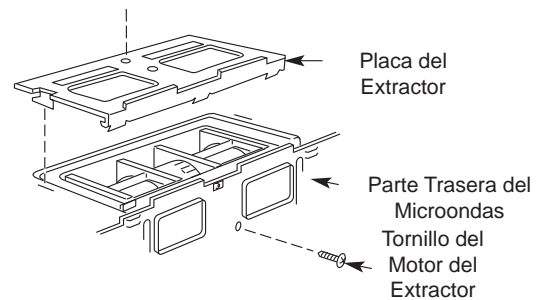
- Lea las instrucciones en la **PLANTILLA DEL GABINETE SUPERIOR**.
- Pegue las mismas debajo del gabinete superior.
- Haga los agujeros siguiendo las instrucciones de la **PLANTILLA DEL GABINETE SUPERIOR**.

CAUTION Use gafas de seguridad al realizar agujeros en la parte inferior del gabinete.

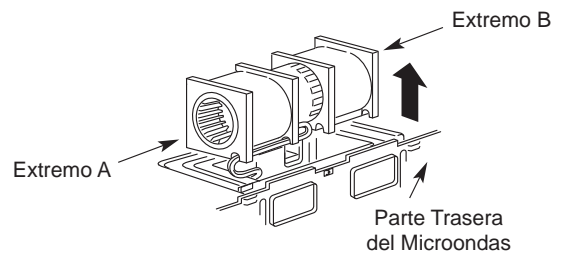


A3 ADAPTACIÓN DEL EXTRACTOR DEL MICROONDAS PARA EL ESCAPE SUPERIOR EXTERIOR

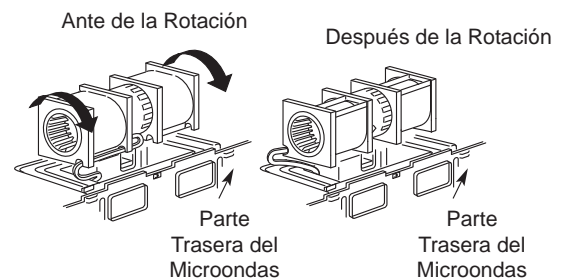
1. Coloque el microondas en posición vertical, con la parte superior de la unidad mirando hacia arriba. Retire el tornillo que sostiene la placa del extractor en el microondas. Retire y conserve el tornillo que sostiene el motor del extractor en el microondas.



2. Con cuidado empuje hacia usted la unidad del extractor. Los cables se extenderán lo suficiente como para permitirle ajustar la unidad del extractor.



3. Gire el extractor 90° de modo que las aberturas de las paletas del ventilador miren hacia la parte superior del horno.



Instrucciones de Instalación

A ESCAPE SUPERIOR EXTERIOR (CONDUCTO VERTICAL)

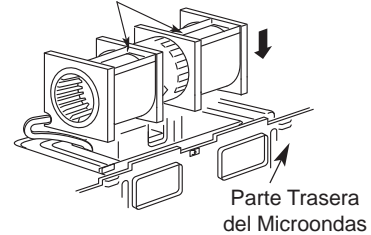
A3 ADAPTACIÓN DEL EXTRACTOR DEL MICROONDAS PARA EL ESCAPE SUPERIOR EXTERIOR (cont.)

4. Vuelva a colocar la unidad del extractor en la abertura.

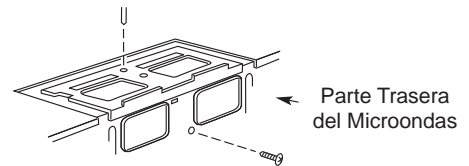
PRECAUCIÓN No tire ni estire los cables del calefactor. Cerciérese de que los alambres no están pellizcados.

5. Asegure la unidad del extractor al microondas con el tornillo retirado en el Paso 1. Asegúrese de que el tornillo esté ajustado.

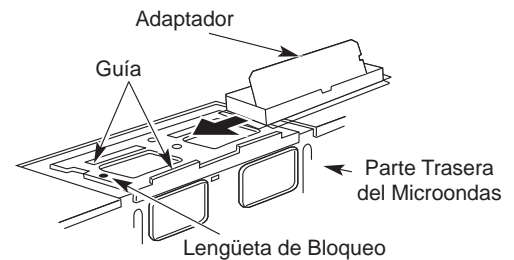
DESPUÉS: Abertura de las paletas del ventilador mirando hacia arriba



6. Vuelva a colocar la placa del extractor con el tornillo retirado en el Paso 1. Asegúrese de que el tornillo esté ajustado.

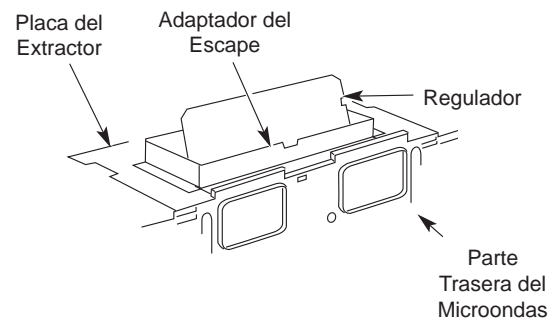


7. Adhiera el adaptador de escape a la parte superior de la placa del extractor, deslizando el mismo sobre las guías de la placa del extractor. Presione de forma segura hasta que calce sobre las lengüetas de bloqueo. Asegúrese de que la bisagra del regulador esté instalada, de modo que el regulador se balancee libremente.



A4 CONTROLE QUE EL REGULADOR FUNCIONE DE FORMA APROPIADA

- Asegúrese de que la cinta que asegura el regulador sea retirada y que éste pivotee con facilidad antes de montar el microondas.
- Será necesario hacer ajustes para asegurar una alineación correcta con el conducto de escape hogareño luego de instalar el horno microondas.



A5 MONTE EL HORNO MICROONDAS

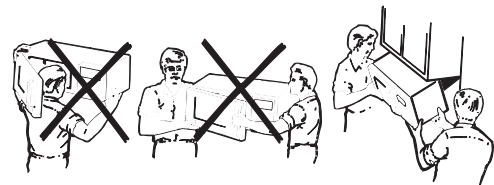
PARA UNA INSTALACIÓN MÁS FÁCIL Y POR CUESTIONES DE SEGURIDAD PERSONAL, RECOMENDAMOS QUE LA INSTALACIÓN DE ESTE HORNO MICROONDAS SEA REALIZADA POR DOS PERSONAS.

IMPORTANTE: No tome ni use la manija durante la instalación.

NOTA: Si el gabinete es metálico, use un ojal de nylon alrededor del orificio del cable de corriente para evitar cortes sobre el cable.

NOTA: Recomendamos el uso de bloques de relleno en caso de que el frente del gabinete cuelgue debajo del estante inferior del gabinete.

IMPORTANTE: Si no se usan bloqueos de filtro, se podrán producir daños en la caja debido al ajuste excesivo de los tornillos.

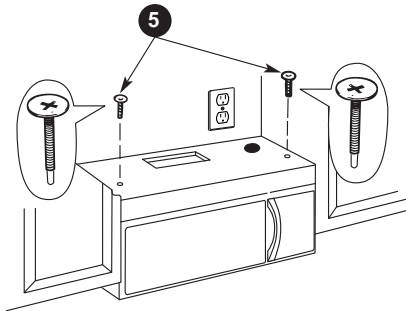


Instrucciones de Instalación

A ESCAPE SUPERIOR EXTERIOR (CONDUCTO VERTICAL)

A5 MONTE EL HORNO MICROONDAS

1. Levante el horno microondas, incline el mismo hacia adelante, y enganche las ranuras en el extremo inferior trasero sobre las cuatro lengüetas inferiores de la placa de montaje.
2. Gire el frente del horno contra la parte inferior del gabinete.
3. Inserte un tornillo autoalineante a través del agujero de la parte superior central del gabinete. De forma temporal, asegure el horno dando al tornillo por lo menos dos giros completos una vez que las roscas se hayan adherido. (Más tarde se ajustará completamente.) Asegúrese de mantener el cable de corriente ajustado. Tenga cuidado de no pellizcar el cable, especialmente cuando se realice el montaje al ras de la parte inferior del gabinete.
4. Adhiera el horno microondas al gabinete superior.
5. Inserte 2 tornillos autoalineantes a través de los agujeros de la parte exterior superior del gabinete. Dé dos giros completos a cada tornillo.



6. Ajuste los dos tornillos exteriores en la parte superior del horno microondas. (Al ajustar los tornillos, sostenga el horno microondas en su posición contra la pared y el gabinete superior).
7. Instale los filtros de grasa. Consulte el Manual del Propietario embalado con el horno microondas.

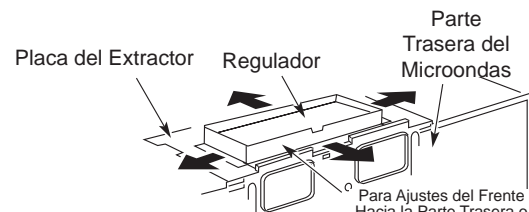
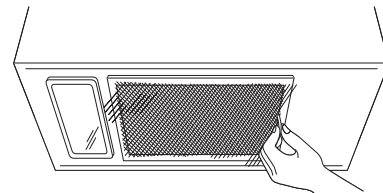
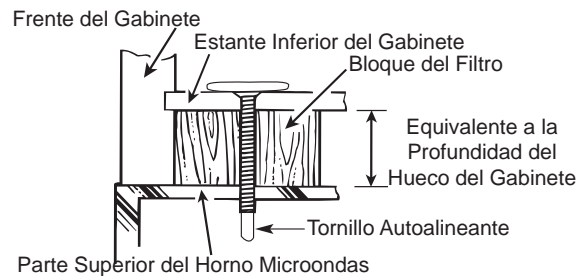
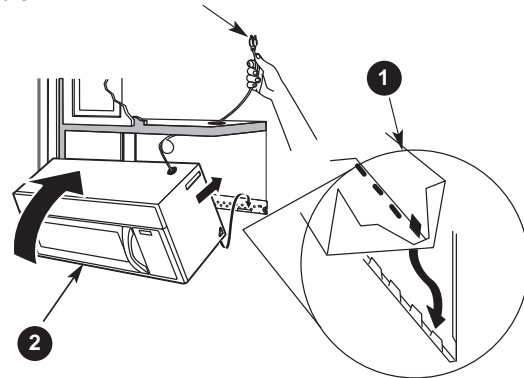
A6 AJUSTE EL ADAPTADOR DEL ESCAPE

Abra el gabinete superior y ajuste el adaptador del escape para realizar la conexión al conducto del hogar.

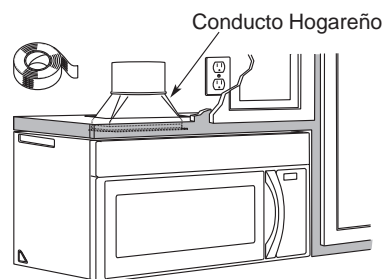
A7 CONECTE EL CONDUCTO

1. Extienda el conducto hogareño para poder conectarlo al adaptador del escape.
2. Selle las juntas del conducto de escape usando cinta de conductos de horno para aplicaciones en altas temperaturas.

NOTA: Al montar el horno microondas, haga pasar el cable de corriente a través del agujero de la parte inferior del gabinete superior. Mantenga el mismo ajustado siguiendo los pasos 1 a 3. Evite pellizcos en el cable o que se levante el horno por tirar el cable.



Para Ajustes del Frente Hacia la Parte Trasera o de Lado a Lado, Deslice el Adaptador del Escape Según Sea Necesario



Instrucciones de Instalación

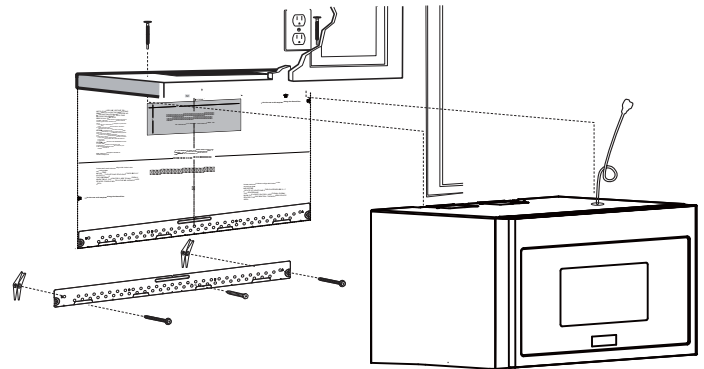
B ESCAPE EXTERIOR TRASERO (CONDUCTO HORIZONTAL)

INFORMACIÓN GENERAL SOBRE LA INSTALACIÓN

- B1. Prepare la Pared Trasera
- B2. Retire la Placa del Extractor
- B3. Adhiera la Placa de Montaje a la Pared
- B4. Prepare el Gabinete Superior
- B5. Ajuste el Extractor
- B6. Monte el Horno Microondas

NOTAS IMPORTANTES:

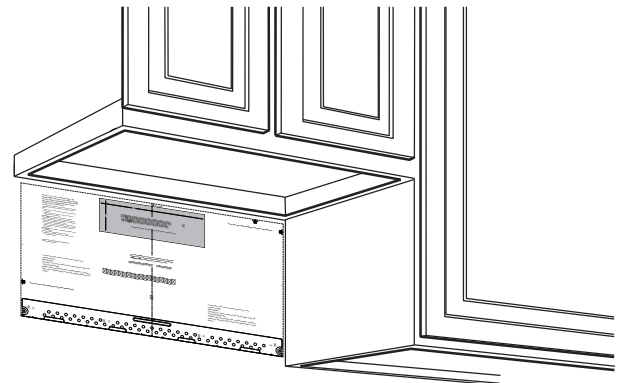
- Asegúrese de que los tornillos del motor del extractor y de la placa del extractor estén ajustados de forma segura una vez reinstalados. Esto ayudará a evitar vibraciones excesivas.
- Asegúrese de que el cableado del motor se haya conducido y asegurado de forma apropiada, y que los cables no se encuentren pellizcados.



B1 PREPARACIÓN DE LA PARED TRASERA PARA EL ESCAPE EXTERIOR TRASERO

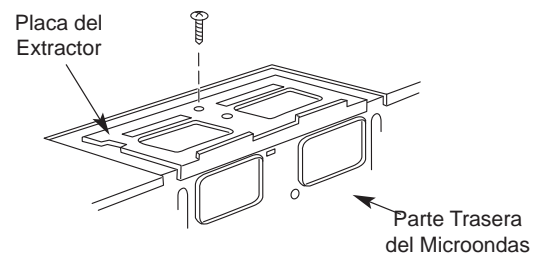
Es necesario cortar una abertura en la pared trasera para el escape exterior.

- Lea las instrucciones sobre la **PLANTILLA DE LA PARED TRASERA**.
- Pegue la misma a la pared trasera, alineándola con los agujeros previamente perforados A y B en la placa de pared.
- Corte la apertura, siguiendo las instrucciones de la **PLANTILLA DE LA PARED TRASERA**.



B2 RETIRE LA PLACA DEL EXTRACTOR

Retire y conserve el tornillo que sostiene la placa del extractor en el microondas. Levante la placa del extractor.



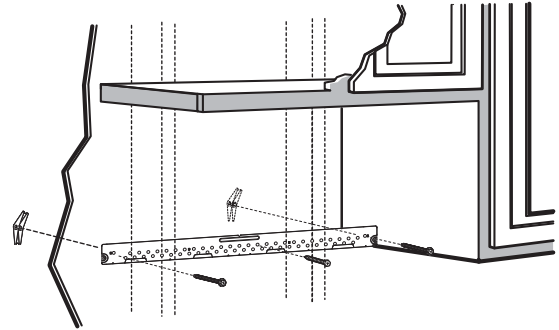
Instrucciones de Instalación

B ESCAPE EXTERIOR TRASERO (CONDUCTO HORIZONTAL)

B3 ADHIERA LA PLACA DE MONTAJE A LA PARED

Adhiera la placa a la pared usando tornillos con resortes. Por lo menos un tornillo de madera deberá ser usado para adherir la placa al montaje de pared.

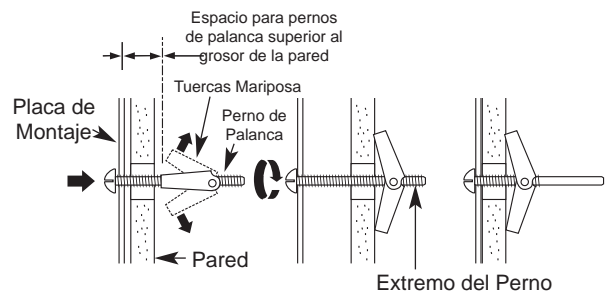
1. Retire las tuercas mariposa de los pernos.
2. Inserte los pernos en la placa de montaje a través de los agujeros designados para entrar en la placa de yeso y vuelva a ajustar las tuercas mariposa a 3/4" (19 mm.) sobre cada perno.



PARA USAR PERNOS DE PALANCA:

3. Coloque la placa de montaje contra la pared e inserte las tuercas mariposa en los agujeros de la pared para montar la placa.

NOTA: Antes de ajustar los pernos de palanca y el tornillo de madera, asegúrese de que las lengüetas sobre la placa de montaje toquen la parte inferior del gabinete cuando se las presione a nivel contra la pared y que la placa esté correctamente centrada debajo del gabinete.



⚠ PRECAUCIÓN Tenga cuidado para evitar pellizcos en los dedos entre la parte trasera de la placa de montaje y la pared.

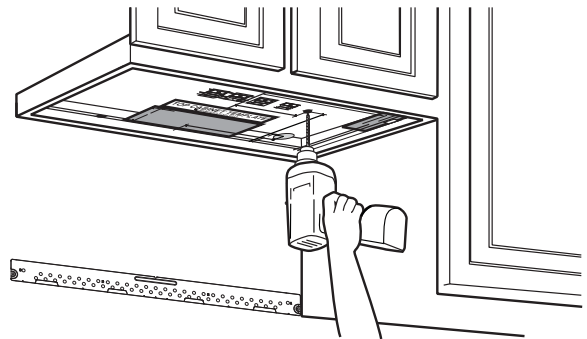
4. Ajuste todos los pernos. Empuje la placa hacia afuera de la pared para ayudar a ajustar los pernos.

B4 USE LA PLANTILLA DEL GABINETE SUPERIOR PARA LA PREPARACIÓN DEL GABINETE SUPERIOR

Es necesario hacer agujeros para los tornillos del soporte superior y un agujero lo suficientemente grande para que el cable de corriente lo pueda atravesar.

- Lea las instrucciones en la PLANTILLA DEL GABINETE SUPERIOR.
- Pegue las mismas debajo del gabinete superior.
- Haga los agujeros siguiendo las instrucciones de la PLANTILLA DEL GABINETE SUPERIOR.

⚠ PRECAUCIÓN Use gafas de seguridad al realizar agujeros en la parte inferior del gabinete.

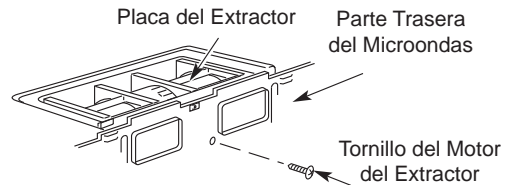


Instrucciones de Instalación

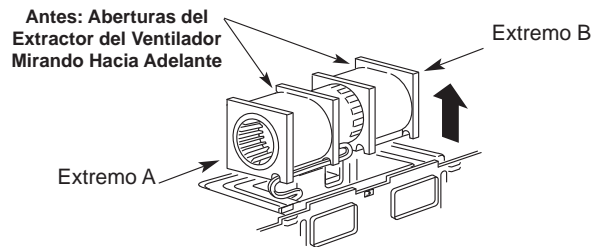
B ESCAPE EXTERIOR TRASERO (CONDUCTO HORIZONTAL)

B5 ADAPTACIÓN DEL EXTRACTOR DEL MICROONDAS PARA EL ESCAPE EXTERIOR TRASERO

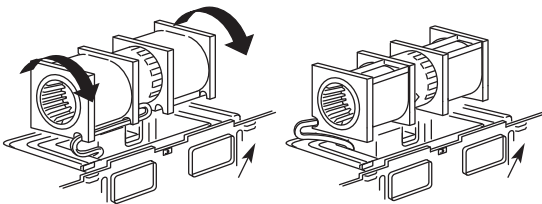
1. Retire y conserve el tornillo que sostiene el motor del extractor en el microondas.



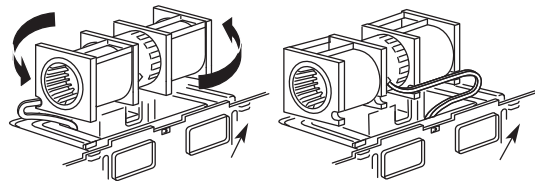
2. Con cuidado empuje hacia usted la unidad del extractor. Los cables se extenderán lo suficiente como para permitirle ajustar la unidad del extractor.



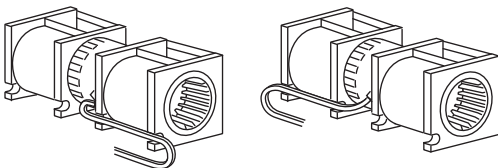
3. Gire la unidad del extractor 90°.



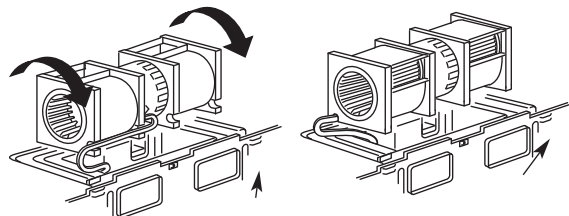
4. Gire la unidad del extractor en sentido antihorario 180°.



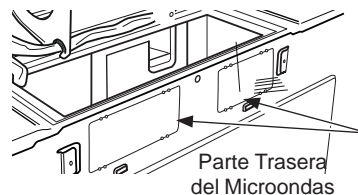
5. De forma suave, retire los cables de las ranuras. Vuelva a conducir los cables a través de las ranuras del otro lado de la unidad del extractor.



6. Gire la unidad del extractor 90° de modo que las aberturas de las paletas del ventilador miren hacia la parte trasera del microondas.



7. Retire las placas preperforadas en la parte trasera de la unidad con recortes.



Placas Preperforadas: Recorte las 4 redes en cada panel preperforado y retire las preperforaciones metálicas para la circulación de aire trasero. Por favor, tenga cuidado al retirar cualquier extremo filoso creado al retirar las placas preperforadas.

⚠ PRECAUCIÓN Cerciérese de recortar los extremos filosos de las aberturas después de remover los platos.

Instrucciones de Instalación

B ESCAPE EXTERIOR TRASERO (CONDUCTO HORIZONTAL)

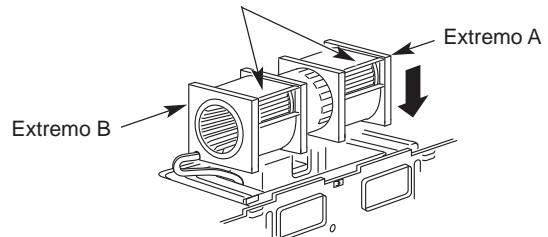
B5 ADAPTACIÓN DEL EXTRACTOR DEL MICROONDAS PARA EL ESCAPE EXTERIOR TRASERO

8. Vuelva a colocar la unidad del extractor en la abertura.

▲PRECAUCIÓN No empuje ni extienda el cableado de la unidad del extractor. Asegúrese de que los cables no estén pellizcados, y que estén correctamente asegurados.

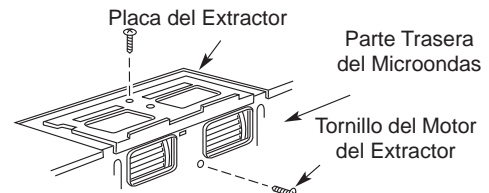
NOTA: Las aberturas de escape de la unidad del extractor deberán coincidir con las aberturas de escape de la parte trasera del horno microondas.

Después: Aberturas de las Paletas del Ventilador Mirando Hacia Adelante

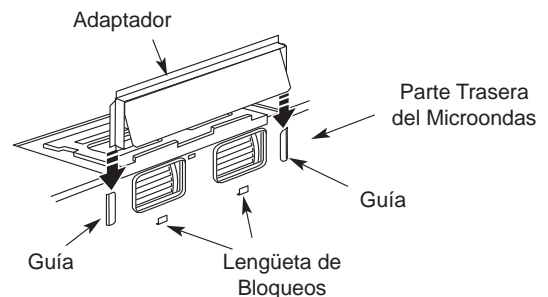


9. Asegure la placa del extractor al horno microondas con el tornillo original.

10. Vuelva a colocar la placa del extractor en la misma posición que antes con el tornillo. Asegúrese de que el tornillo esté ajustado.



11. Adhiera el adaptador del escape a la parte trasera del horno, deslizando el mismo sobre las guías en la parte superior central de la parte trasera del horno. Presione de forma segura hasta que calce sobre las lengüetas inferiores de bloqueo. Asegúrese de que la bisagra del regulador esté instalada, de modo que quede sobre la parte superior y que el regulador se balancee libremente.



B6 MONTE EL HORNO MICROONDAS

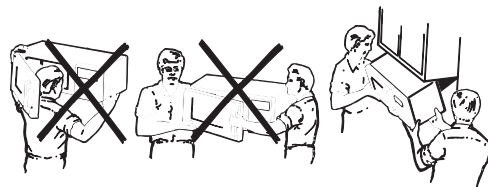
PARA UNA INSTALACIÓN MÁS FÁCIL Y POR CUESTIONES DE SEGURIDAD PERSONAL, RECOMENDAMOS QUE LA INSTALACIÓN DE ESTE HORNO MICROONDAS SEA REALIZADA POR DOS PERSONAS.

IMPORTANTE: No tome ni use la manija durante la instalación.

NOTA: Si el gabinete es metálico, use un ojal de nylon alrededor del orificio del cable de corriente para evitar cortes sobre el cable.

NOTA: Recomendamos el uso de bloques de relleno en caso de que el frente del gabinete cuelgue debajo del estante inferior del gabinete.

IMPORTANTE: Si no se usan bloques de relleno, se podrán producir daños en la caja debido al ajuste excesivo de los tornillos.



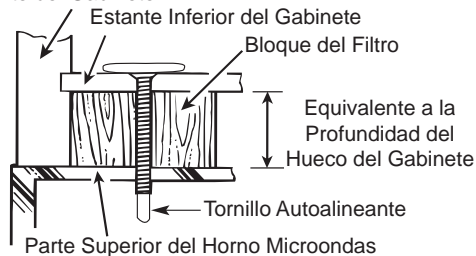
Instrucciones de Instalación

B ESCAPE EXTERIOR TRASERO (CONDUCTO HORIZONTAL)

B6 MONTE EL HORNO MICROONDAS

1. Levante el horno microondas, incline el mismo hacia adelante, y enganche las ranuras en el extremo inferior trasero sobre las cuatro lengüetas inferiores de la placa de montaje.
2. Gire el frente del horno contra la parte inferior del gabinete.
3. Inserte un tornillo autoalineante a través del agujero de la parte superior central del gabinete. De forma temporal, asegure el horno dando al tornillo por lo menos dos giros completos una vez que las roscas se hayan adherido. (Más tarde se ajustará completamente.) Asegúrese de mantener el cable de corriente ajustado. Tenga cuidado de

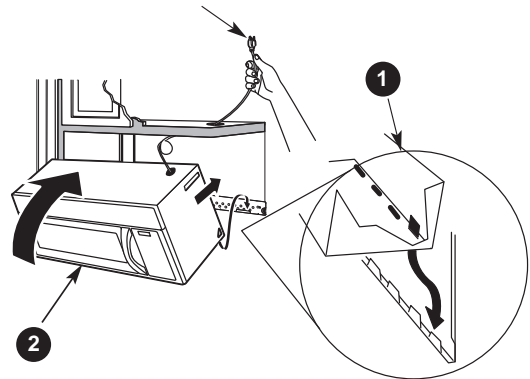
Frente del Gabinete



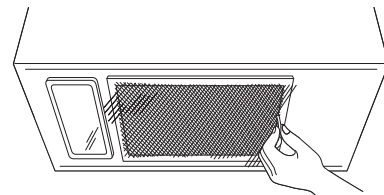
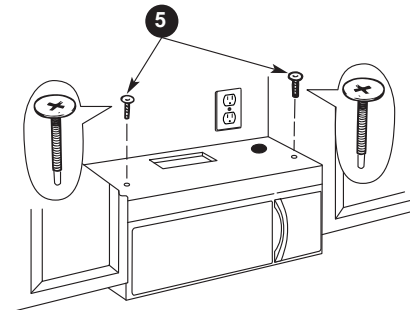
no pellizcar el cable, especialmente cuando se realice el montaje al ras de la parte inferior del gabinete.

4. Adhiera el horno microondas al gabinete superior.
5. Inserte 2 tornillos autoalineantes a través de los agujeros de la parte exterior superior del gabinete. Dé dos giros completos a cada tornillo.
6. Ajuste los dos tornillos exteriores en la parte superior del horno microondas. (Al ajustar los tornillos, sostenga el horno microondas en su posición contra la pared y el gabinete superior).
7. Instale los filtros de grasa. Consulte el Manual del Propietario embalado con el horno microondas.

NOTA: Al montar el horno microondas, haga pasar el cable de corriente a través del agujero en la parte inferior del gabinete superior. Mantenga el mismo ajustado siguiendo los pasos 1 a 3. Evite pellizcos en el cable o que se levante el horno por tirar del cable.



2



Instrucciones de Instalación

C RECIRCULACIÓN (SIN CONDUCTOS NO VENTILADOS)

INFORMACIÓN GENERAL SOBRE LA INSTALACIÓN

C1. Adhiera la Placa de Montaje a la Pared

C2. Prepare el Gabinete Superior

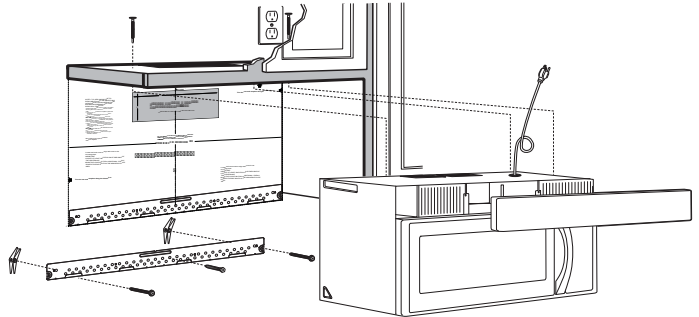
C3. Controle la Placa del Extractor

C4. Monte el Horno Microondas

C5. Instale o cambie el Filtro de Carbón

NOTAS IMPORTANTES:

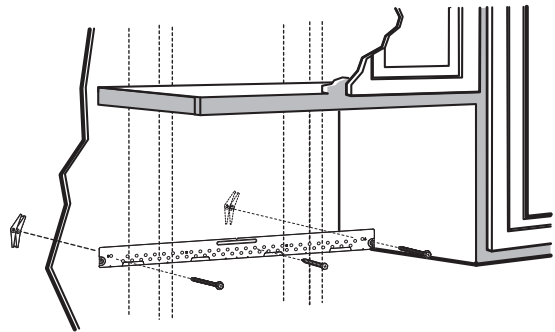
- Asegúrese de que los tornillos del motor del extractor y de la placa del extractor estén ajustados de forma segura una vez reinstalados. Esto ayudará a evitar vibraciones excesivas.
- Asegúrese de que el cableado del motor se haya conducido y asegurado de forma apropiada, y que los cables no se encuentren pellizcados.



C1 ADHIERA LA PLACA DE MONTAJE A LA PARED

Adhiera la placa a la pared usando pernos de palanca. Por lo menos un tornillo de madera deberá ser usado para adherir la placa al montaje de pared.

1. Retire las tuercas mariposa de los pernos.
2. Inserte los pernos en la placa de montaje a través de los agujeros designados para entrar en la placa de yeso y vuelva a ajustar las tuercas mariposa a 3/4" (19 mm.) sobre cada perno.



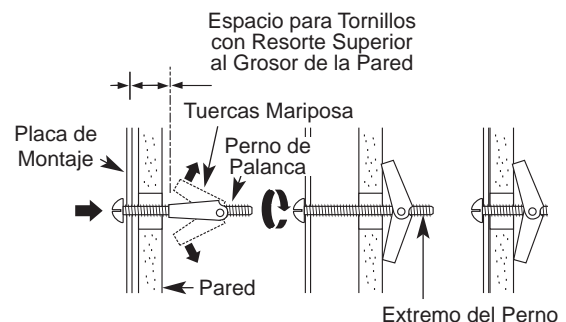
PARA USAR PERNOS DE PALANCA:

3. Coloque la placa de montaje contra la pared e inserte las tuercas mariposa en los agujeros de la pared para montar la placa.

NOTE: Antes de ajustar los pernos de palanca y el tornillo de madera, asegúrese de que las lengüetas sobre la placa de montaje toquen la parte inferior del gabinete cuando se las presione a nivel contra la pared y que la placa esté correctamente centrada debajo del gabinete.

CAUTION Tenga cuidado para evitar pellizcos en los dedos entre la parte trasera de la placa de montaje y la pared.

4. Ajuste todos los pernos. Empuje la placa hacia afuera de la pared para ayudar a ajustar los pernos.



Instrucciones de Instalación

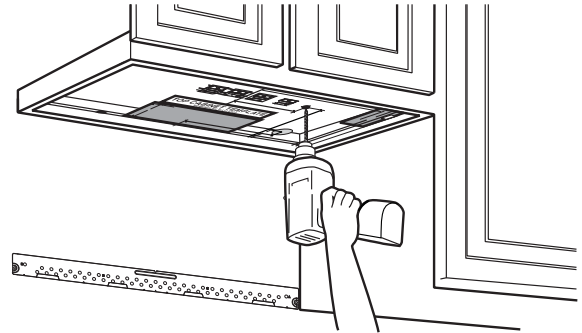
C RECIRCULACIÓN (SIN CONDUCTOS NO VENTILADOS)

C2 USE LA PLANTILLA DEL GABINETE SUPERIOR PARA LA PREPARACIÓN DEL GABINETE SUPERIOR

Es necesario hacer agujeros para los tornillos del soporte superior y un agujero lo suficientemente grande para que el cable de corriente lo pueda atravesar.

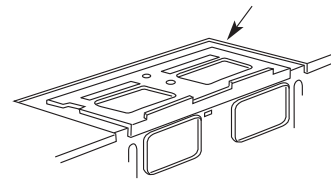
- Lea las instrucciones en la **PLANTILLA DEL GABINETE SUPERIOR**.
- Pegue las mismas debajo del gabinete superior.
- Haga los agujeros siguiendo las instrucciones de la **PLANTILLA DEL GABINETE SUPERIOR**.

CAUTION Use gafas de seguridad al realizar agujeros en la parte inferior del gabinete.



C3 CONTROLE LA PLACA DEL EXTRACTOR

- Coloque el horno microondas en posición erguida, de modo que la parte superior de la unidad mire hacia arriba.
- Verifique que la placa del extractor se encuentre instalada de forma correcta en la unidad.



C4 MONTE EL HORNO MICROONDAS

PARA UNA INSTALACIÓN MÁS FÁCIL Y POR CUESTIONES DE SEGURIDAD PERSONAL, RECOMENDAMOS QUE LA INSTALACIÓN DE ESTE HORNO MICROONDAS SEA REALIZADA POR DOS PERSONAS.

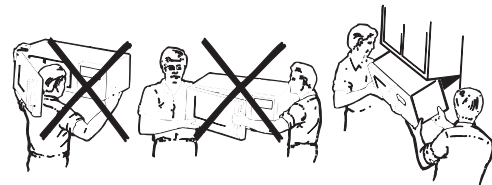
IMPORTANTE: No tome ni use la manija durante la instalación.

NOTA: Si el gabinete es metálico, use un ojal de nylon alrededor del orificio del cable de corriente para evitar cortes sobre el cable.

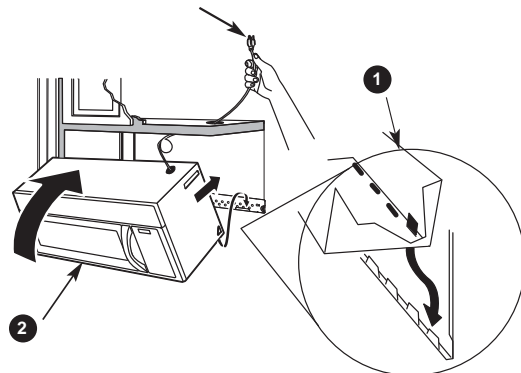
1. Levante el horno microondas, incline el mismo hacia adelante, y enganche las ranuras en el extremo inferior trasero sobre las cuatro lengüetas inferiores de la placa de montaje.
2. Gire el frente del horno contra la parte inferior del gabinete.

NOTA: Recomendamos el uso de bloques de relleno en caso de que el frente del gabinete cuelgue debajo del estante inferior del gabinete.

IMPORTANTE: Si no se usan bloques de relleno, se podrán producir daños en la caja debido al ajuste excesivo de los tornillos.



NOTA: Al montar el horno microondas, haga pasar el cable de corriente a través del agujero en la parte inferior del gabinete superior. Mantenga el mismo ajustado siguiendo los pasos 1 a 3. Evite pellizcos en el cable o que se levante el horno por tirar del cable.

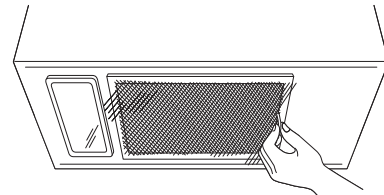
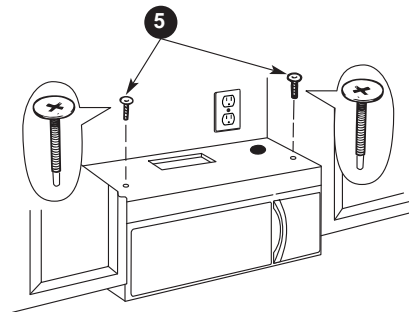
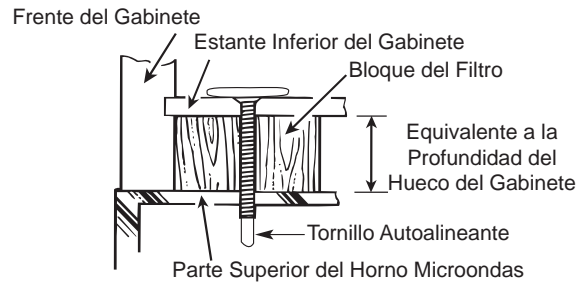


Instrucciones de Instalación

C RECIRCULACIÓN (SIN CONDUCTOS NO VENTILADOS)

C4 MONTE EL HORNO MICROONDAS

3. Inserte un tornillo autoalineante a través del agujero de la parte superior central del gabinete. De forma temporal, asegure el horno dando al tornillo por lo menos dos giros completos una vez que las roscas se hayan adherido. (Más tarde se ajustará completamente.) Asegúrese de mantener el cable de corriente ajustado. Tenga cuidado de no pellizcar el cable, especialmente cuando se realice el montaje al ras de la parte inferior del gabinete.
4. Adhiera el horno microondas al gabinete superior.
5. Inserte 2 tornillos autoalineantes a través de los agujeros de la parte exterior superior del gabinete. Dé dos giros completos a cada tornillo.
6. Ajuste los dos tornillos exteriores en la parte superior del horno microondas. (Al ajustar los tornillos, sostenga el horno microondas en su posición contra la pared y el gabinete superior).
7. Instale los filtros de grasa. Consulte el Manual del Propietario embalado con el horno microondas.



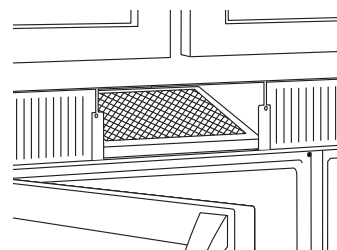
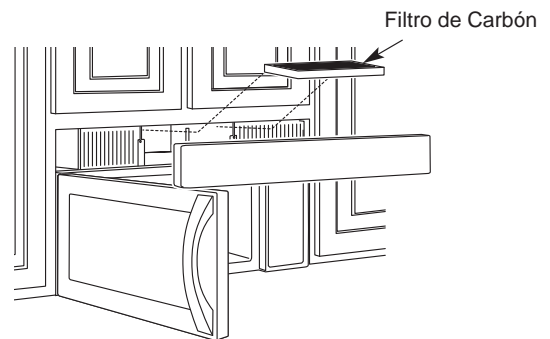
C5 INSTALACIÓN O CAMBIO DEL FILTRO DE CARBÓN

▲ADVERTENCIA Riesgo de Descarga Eléctrica.

Desconecte la energía antes de reemplazar filtros de carbón, lámparas de cavidad o lámparas de superficie de la estufa.

NOTA: El filtro de carbón se encuentra instalado de fábrica. Siga estos pasos para reemplazar el filtro o para instalar un filtro luego de realizar la conversión de un modelo de ventilación a un funcionamiento de recirculación.

1. Retire los tornillos de la parte superior de la parrilla usando un destornillador Phillips n°1.
2. Abra la puerta.
3. Retire la rejilla. Empuje la parrilla completamente hacia afuera.
4. Instale el filtro de carbón. Una vez instalado correctamente, la malla de alambre del filtro debería estar visible desde el frente.
5. Vuelva a colocar la parrilla y los tornillos.
6. Cierre la puerta.



Inserte el Lateral de la Malla Hacia Arriba

Instrucciones de Instalación

ANTES DE USAR EL HORNO MICROONDAS

- 1** Asegúrese de que el horno microondas haya sido instalado de acuerdo con las instrucciones.



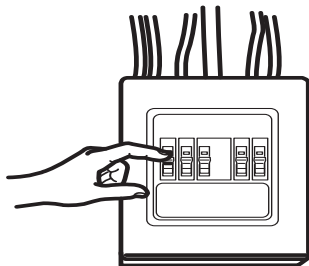
- 6** Lea la sección de Uso y Cuidado Rápido.



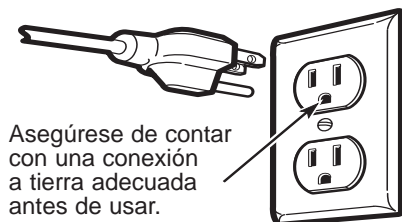
- 2** Retire todos los materiales de embalaje del horno microondas.

- 3** Instale el plato giratorio y el anillo del plato giratorio en la cavidad.

- 4** Reemplace el fusible del hogar o vuelva a activar el disyuntor.

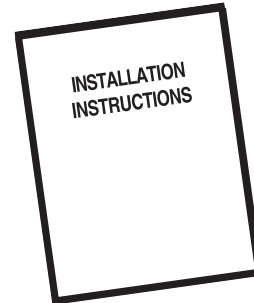


- 5 Modelos de 120 V:** Enchufe el cable de corriente en un tomacorriente eléctrico específico de 15 a 20 amp.



Asegúrese de contar con una conexión a tierra adecuada antes de usar.

- 7** MANTENGA LAS INSTRUCCIONES DE INSTALACIÓN PARA USO DEL INSPECTOR LOCAL.



Notas
