



DCM-752/751B_H-OS



DCM-752/751BAH-OS
07/07/23
Item # 13291

OPTI-SERVE SERIES SANITARY CUBELET ICE MACHINE/DISPENSER

W x D x H
34^{1/16"} x 28^{1/2"} x 48^{1/16"}

SD-750
34" x 28" x 32^{3/4"}

Ice Machine Shipping Dimensions
39^{3/4"} x 32^{1/2"} x 53^{1/2"}

DCM-752BAH-OS
Air-Cooled
Shown with optional
SD-750 Stand


DCM-751BWH-OS
Water-Cooled


*Hands-free sensor designed for use
with opaque containers.
Not intended for outdoor use - avoid
placement in direct sunlight.*

Touchless operation



Features

- ▶ Durable stainless steel exterior
- ▶ Advanced CleanCycle24™ design 
- ▶ Stainless steel auger with greaseless bearing

- Up to 782 lbs. of ice production per 24 hours
- Built-in storage capacity of 3.2ft³/95 lbs.*
- 2-second flush cycle every hour
- Easy to chew, Cubelet ice
- Self-contained design reducing opportunities for cross contamination
- Flush cycle removes sediment for cleaner ice
- Protected by H-GUARD Plus Antimicrobial Agent 
- Removable air filters (air-cooled model only)
- Dispenses ice and water
- R-404A Refrigerant

Warranty:

3 Year Parts & Labor on entire machine.
5 Year Parts on Compressor; air-cooled condenser coil.
Valid in United States, Canada, Puerto Rico and U.S. Territories. Contact factory for warranty in other countries.

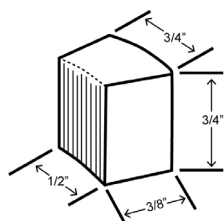
*Rated in accordance with AHRI Standard 820(I-P). Capacity based on 100% of total volume x 30 lb/ft³ average density of ice.



ICE PRODUCTION WATER USAGE ELECTRICAL

Condenser	Model	Air / Water Temp Lbs. per 24 hours		Potable Gal. per 100 lbs.	Condenser Gal. per 100 lbs.	kWh Used per 100 lbs.	Min. Circuit/Max. Fuse Size	Amperage	Voltage	Circuit Wires (including ground)	Heat Rejection BTU/hr.	Refrigerant Charge Amount	Net / Ship Weight (lbs.)
		70 / 50 F	90 / 70 F	90 / 70 F	90 / 70 F	90 / 70 F							
Air-Cooled	DCM-752BAH-OS	708	576	12.0	N/A	5.10	20A	13A	115V/60/1	3	6,900	1 lb. 10 oz.	300 / 345
Water-Cooled	DCM-751BWH-OS	782	678	12.0	96	4.76	20A	18.9A	115V/60/1	3	7,600	1 lb. 6 oz.	300 / 345

Cubelet Dimensions*



* approximate size in inches, image not to scale

Operating Limits

- Ambient Temp Range 45 - 100°F
- Water Temp Range 45 - 90°F
- Water Pressure 10 - 113 PSIG
- Voltage Range 104 - 127V

Service

- Allow 6" (15 cm) clearance at rear and sides for proper air circulation and ease of maintenance/service should they be required. Allow 24" (61 cm) clearance at top to allow for removal of the auger

Not intended for outdoor use - avoid placement in direct sunlight.

Plumbing

- Icemaker Water Supply Line: Min. 1/4" Nominal ID Copper Water Tubing or Equivalent
- Icemaker Drain Line: Min. 3/4" Nominal ID Hard Pipe or Equivalent
- Water-Cooled Model (Lines Must Be Independent of Icemaker)
- Condenser Water Supply Line: Min. 1/4" Nominal ID Copper Water Tubing or Equivalent
- Condenser Drain/Return Line: Min. 1/4" Nominal ID Hard Pipe (open drain system) or Copper Water Tubing (closed loop system) or Equivalent

Water Filter

Please refer to water filter specification sheet for recommendations.

Hoshizaki reserves the right to change specifications without notice.



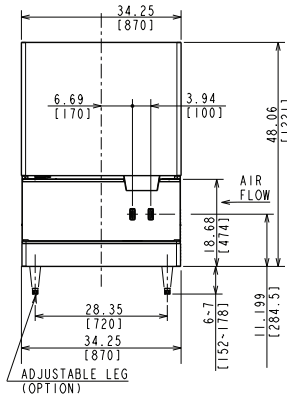
DCM-752/751B_H-OS



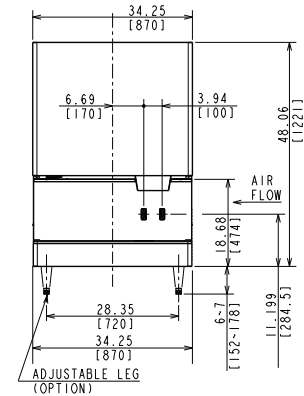
DCM-752/751BAH-OS
07/07/23
Item # 13291

OPTI-SERVE SERIES SANITARY CUBELET ICE MACHINE/DISPENSER

FRONT VIEW



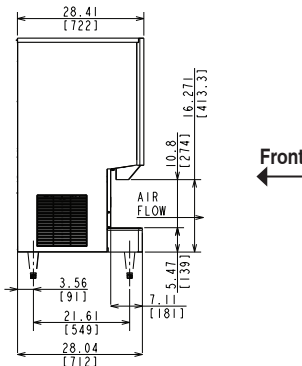
DCM-752BAH-OS AIR-COOLED



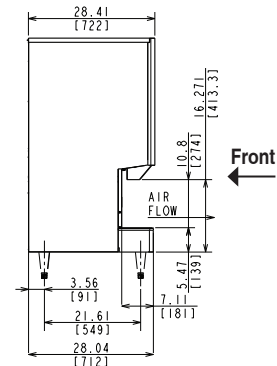
DCM-751BWH-OS WATER-COOLED

inch
[mm]

SIDE VIEW

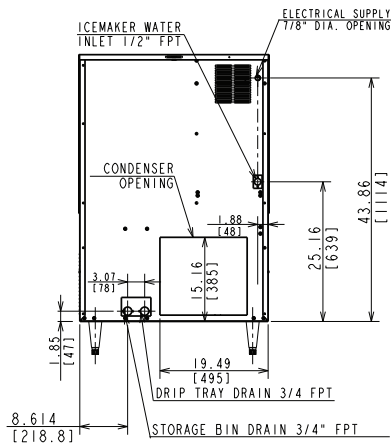


DCM-752BAH-OS AIR-COOLED

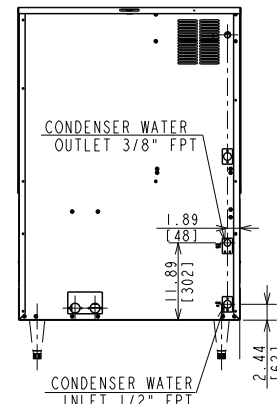


DCM-751BWH-OS WATER-COOLED

REAR VIEW

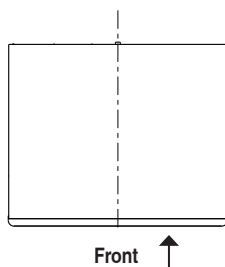


DCM-752BAH-OS AIR-COOLED

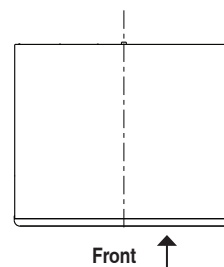


DCM-751BWH-OS WATER-COOLED

TOP VIEW



DCM-752BAH-OS AIR-COOLED



DCM-751BWH-OS WATER-COOLED