

# ZEPHYR

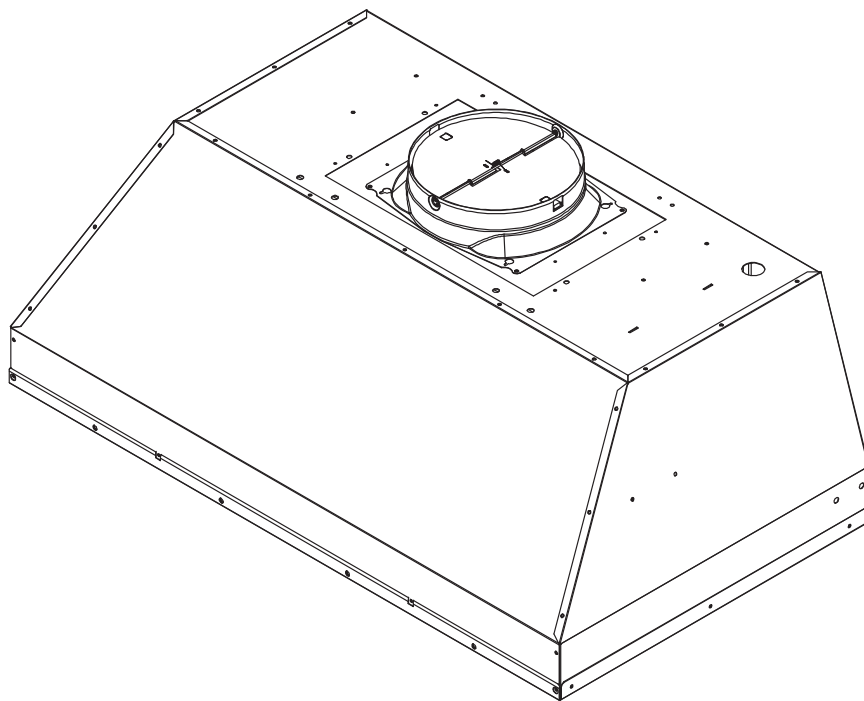
WWW.ZEPHYRONLINE.COM

## Monsoon Connect

AK9428BS, AK9434BS, AK9440BS, AK9446BS

EN Use, Care, and Installation Guide

FR Guide d'utilisation, d'entretien et d'installation





---

	Page
<b>Safety Information .....</b>	<b>4-6</b>
Types of Safety Warnings.....	4
General Safety .....	4-5
Operation .....	6
Electrical Requirements .....	6
Federal Communication Commission Interface Statement.....	6
<b>List of Materials.....</b>	<b>7</b>
<b>Installation Instructions.....</b>	<b>8-22</b>
Ducting Calculation Sheet.....	8
Mounting Height, Clearance, & Ducting .....	9-10
Ducting Options .....	11
Hood Specifications.....	12
Electrical Supply.....	13
Cable Lock .....	13
Preparation & Installation .....	14-16
Horizontal Ducting Preparation .....	17-19
PBD-1300B Dual Blower Installation.....	20-22
<b>Features &amp; Controls.....</b>	<b>23-29</b>
Proximity Controls.....	23-25
Zephyr Connect .....	26-27
Optional RF Remote Control.....	28-29
<b>Maintenance .....</b>	<b>30-32</b>
Hood & Filter Cleaning.....	30-31
LumiLight LED .....	32
<b>ACT™ Conversion.....</b>	<b>33-35</b>
Airflow Control Technology (ACT™) .....	33
Enabling ACT™ .....	34-35
<b>Wiring Diagram.....</b>	<b>36-37</b>
<b>Troubleshooting.....</b>	<b>38-40</b>
<b>List of Parts &amp; Accessories .....</b>	<b>41</b>
<b>Notes.....</b>	<b>42</b>
<b>Limited Warranty .....</b>	<b>43</b>
<b>Product Registration.....</b>	<b>44</b>

# Safety Information

## READ AND SAVE THESE INSTRUCTIONS

**Your safety and the safety of others are very important.** We have provided many important safety messages in this manual for your appliance. Always read and obey all safety messages.



This is the Safety Alert Symbol. This symbol alerts you to potential hazards that can cause severe bodily injury or death. All safety messages will follow the Safety Alert Symbol and either the words “DANGER” “WARNING” or “CAUTION”



### General Safety



WARNING - TO REDUCE THE RISK OF FIRE, ELECTRIC SHOCK, OR INJURY TO PERSONS, OBSERVE THE FOLLOWING:

- Use this unit only in the manner intended by the manufacturer. If you have questions, contact the manufacturer.
- Before servicing or cleaning unit, switch power off at service panel and lock the service disconnecting means to prevent power from being switched on accidentally. When the service disconnecting means cannot be locked, securely fasten a prominent warning device, such as a tag, to the service panel.



WARNING - TO REDUCE THE RISK OF A RANGE TOP GREASE FIRE:

- Never leave surface units unattended at high settings. Boilovers cause smoking and greasy spillovers that may ignite. Heat oils slowly on low or medium settings.
- Always turn hood ON when cooking at high heat or when flambeing food. (i.e. Crepes Suzette, Cherries Jubilee, Peppercorn Beef Flambe’).
- Clean ventilating fans frequently. Grease should not be allowed to accumulate on fan or filter.
- Use proper pan size. Always use cookware appropriate for the size of the surface element.

## READ AND SAVE THESE INSTRUCTIONS



WARNING - TO REDUCE THE RISK OF INJURY TO PERSONS IN THE EVENT OF A RANGE TOP GREASE FIRE, OBSERVE THE FOLLOWING<sup>o</sup>:

- a) SMOTHER FLAMES with a close-fitting lid, cookie sheet, or metal tray, then turn off the burner. BE CAREFUL TO PREVENT BURNS. If the flames do not go out immediately, EVACUATE AND CALL THE FIRE DEPARTMENT.
- b) NEVER PICK UP A FLAMING PAN – You may be burned.
- c) DO NOT USE WATER, including wet dishcloths or towels – a violent steam explosion will result.
- d) Use an extinguisher ONLY if:
  - 1) You know you have a Class ABC extinguisher, and you already know how to operate it.
  - 2) The fire is small and contained in the area where it started.
  - 3) The fire department is being called.
  - 4) You can fight the fire with your back to an exit

<sup>o</sup>Based on “Kitchen Firesafety Tips” published by NFPA.



WARNING - TO REDUCE THE RISK OF FIRE, ELECTRIC SHOCK, OR INJURY TO PERSONS, OBSERVE THE FOLLOWING:

- a) Installation work and electrical wiring must be done by qualified person(s) in accordance with all applicable codes and standards, including fire-rated construction.
- b) Sufficient air is needed for proper combustion and exhausting of gases through the flue (chimney) of fuel burning equipment to prevent back drafting. Follow the heating equipment manufacturer’s guideline and safety standards such as those published by the National Fire Protection Association (NFPA), and the American Society for Heating, Refrigeration and Air Conditioning Engineers (ASHRAE), and the local code authorities.
- c) When cutting or drilling into wall or ceiling, do not damage electrical wiring and other hidden utilities.
- d) Ducted fans must always be vented to the outdoors.
- e) If this unit is to be installed over a tub or shower, it must be marked as appropriate for the application and be connected to a GFCI (Ground Fault Circuit Interrupter) - protected branch circuit.



# Safety Information

## READ AND SAVE THESE INSTRUCTIONS

### Operation

- ▶ Always leave safety grilles and filters in place. Without these components, operating blowers could catch onto hair, fingers and loose clothing.
- ▶ The manufacturer declines all responsibility in the event of failure to observe the instructions given here for installation, maintenance and suitable use of the product. The manufacturer further declines all responsibility for injury due to negligence and the warranty of the unit automatically expires due to improper maintenance.

**NOTE:** Please check [www.zephyronline.com](http://www.zephyronline.com) for revisions before doing any custom work.

### Electrical Requirements

#### Important:

- ▶ Observe all governing codes and ordinances.
- ▶ It is the customer's responsibility to be aware of these below:
- ▶ To contact a qualified electrical installer.
- ▶ To assure that the electrical installation is adequate and in conformance with National Electrical Code, ANSI/NFPA 70 latest edition\* or CSA standards C22.1-94, Canadian Electrical Code, Part 1 and C22.2 No.0-M91 - latest edition\*\* and all local codes and ordinances.
- ▶ If codes permit and a separate ground wire is used, it is recommended that a qualified electrician determine that the ground path is adequate.
- ▶ Do not ground to a gas pipe.
- ▶ Check with a qualified electrician if you are not sure the range hood is properly grounded.
- ▶ Do not have a fuse in the neutral or ground circuit.
- ▶ This appliance requires a 120V 60Hz electrical supply and connected to an individual properly grounded branch circuit protected by a 15 or 20 ampere circuit breaker or time delay fuse. Wiring must be 2 wire with ground. Please also refer to Electrical Diagram on product.
- ▶ A cable locking connector (not supplied) might also be required by local codes. Check with local requirements, purchase and install appropriate connector if necessary.

\* National Fire Protection Association Batterymarch Park, Quincy, Massachusetts 02269

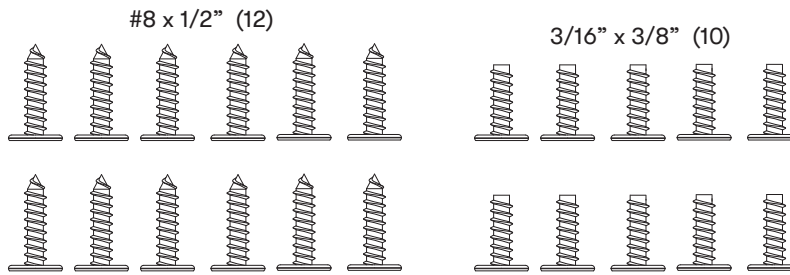
\*\* CSA International 8501 East Pleasant Valley Road, Cleveland, Ohio 44131-5575

### Federal Communication Commission Interface Statement

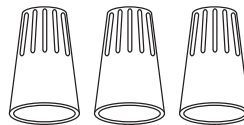
- ▶ This equipment has been tested and found to comply with the limits for a Class B digital device, pursuant to Part 15 of the FCC Rules. These limits are designed to provide reasonable protection against harmful interference in a residential installation.
- ▶ This equipment generates, uses and can radiate radio frequency energy and, if not installed and used in accordance with the instructions, may cause harmful interference to radio communications. However, there is no guarantee that interference will not occur in a particular installation. If this equipment does cause harmful interference to radio or television reception, which can be determined by turning the equipment off and on, the user is encouraged to try to correct the interference by one of the following measures:
- ▶ Reorient or relocate the receiving antenna.
- ▶ Increase the separation between the equipment and receiver.
- ▶ Connect the equipment into an outlet on a circuit different from that to which the receiver is connected.
- ▶ Consult the dealer or an experienced radio/TV technician for help.

### Parts Supplied

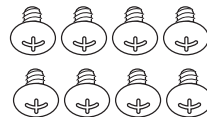
Quantity	Part
1	Insert hood body
2	Baffle filters
3	Baffle filters (AK9446BS only)
2	LumiLight LED, 6W (pre-installed)
4	LumiLight LED, 6W (pre-installed) (AK9446BS only)
1	Single blower motor (pre-installed)
1	8" round adapter with damper
2	Horizontal ducting blower mount brackets
1	Top rectangular cover plate
1	Hardware package



Wire Caps (3)



M4 x 6mm (8)



### Parts Not Supplied

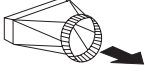
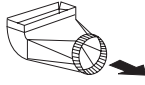

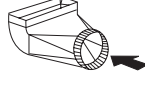
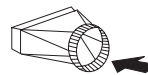
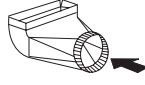
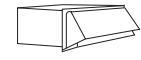
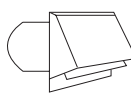

Ducting, conduit and all installation tools
Cable locking connector (if required by local codes)
RF remote control
Dual blower motor

# Installation Instructions

## Ducting Calculation Sheet

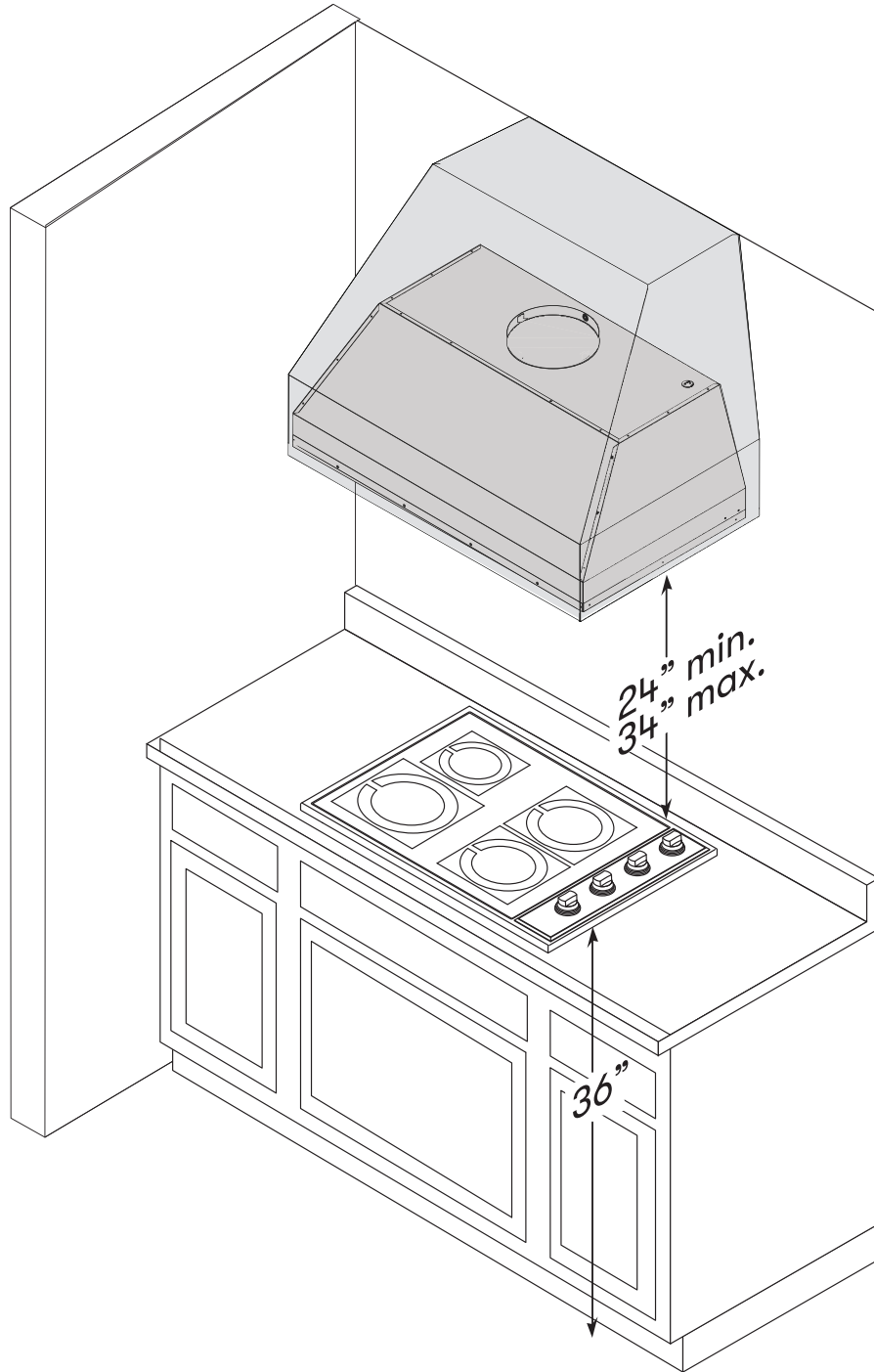
Duct pieces		Equivalent number length x used =	Total
	3-1/4" x 10" Rect., straight	1 Ft. x ( ) =	Ft.
	6", 7", 8", 10" Round, straight	1 Ft. x ( ) =	Ft.
	3-1/4" x 10" Rect. 90° elbow	15 Ft. x ( ) =	Ft.
	3-1/4" x 10" Rect. 45° elbow	9 Ft. x ( ) =	Ft.
	3-1/4" x 10" Rect. 90° flatelbow	24 Ft. x ( ) =	Ft.
	7" to 6" or 8" to 7" Round tapered reducer	25 Ft. x ( ) =	Ft.
	6", 7", 8" Round in-line damper	15 Ft. x ( ) =	Ft.
	6", 7", 8", 10" Round, 90° elbow	15 Ft. x ( ) =	Ft.
	6", 7", 8", 10" Round, 45° elbow	9 Ft. x ( ) =	Ft.
Subtotal column 1 =			Ft.

**Maximum Duct Length:** For satisfactory air movement, the total duct length should not exceed 150 equivalent feet.

Duct pieces		Equivalent number length x used =	Total
	3-1/4" x 10" Rect. to 6" round transition	5 Ft. x ( ) =	Ft.
	3-1/4" x 10" Rect. to 6" round transition 90° elbow	20 Ft. x ( ) =	Ft.
	6" round to 3-1/4" x 10" rect. transition	1 Ft. x ( ) =	Ft.
	6" round to 3-1/4" x 10" rect. transition 90° elbow	16 Ft. x ( ) =	Ft.
	7" round to 3 1/4" x 10" rect. transition	8 Ft. x ( ) =	Ft.
	7" round to 3-1/4" x 10" rect. transition 90° elbow	23 Ft. x ( ) =	Ft.
	3-1/4" x 10" Rect. wall cap with damper	30 Ft. x ( ) =	Ft.
	6", 7", 8", 10" Round, wall cap with damper	30 Ft. x ( ) =	Ft.
	6", 7", 8", 10" Round roof cap	30 Ft. x ( ) =	Ft.
Subtotal column 2 =			Ft.
Subtotal column 1 =			Ft.
Total ductwork =			Ft.



## Mounting Height, Clearance, & Ducting



# Installation Instructions

---

## Mounting Height, Clearance, & Ducting

A minimum of 8" round or 10" round duct for vertical ducting must be used to maintain maximum air flow efficiency. A 8" round duct may be used for horizontal ducting.

Always use rigid type metal ducts only. Flexible ducts could restrict air flow by up to 50%.

Also use calculation (on page 11) to compute total available duct run when using elbows, transitions and caps.

ALWAYS, when possible, reduce the number of transitions and turns. If long duct run is required, increase duct size.

If turns or transitions are required; install as far away from hood duct output and as far apart, between the two as possible.

Minimum mount height between range top to hood bottom should be no less than 24".

Maximum mount height should be no higher than 34".


It is important to install the hood at the proper mounting height. Hoods mounted too low could result in heat damage and fire hazard; while hoods mounted too high will be hard to reach and will lose its performance and efficiency.

If available, also refer range manufacturer's height clearance requirements and recommended hood mounting height above range.

### For shipment and installation damages:

- ▶ Please fully inspect unit for damage before installation.
- ▶ If the unit is damaged in shipment, return the unit to the store in which it was bought for repair or replacement.
- ▶ If the unit is damaged by the customer, repair or replacement is the responsibility of the customer.
- ▶ If the unit is damaged by the installer (if other than the customer), repair or replacement must be made by arrangement between customer and installer.

## Ducting Options

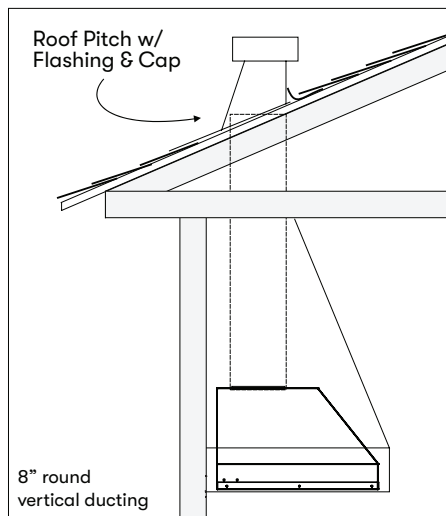
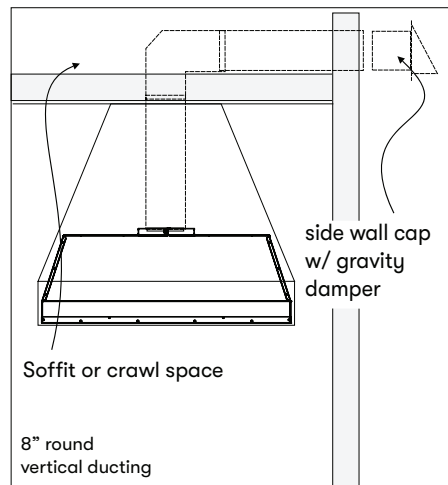
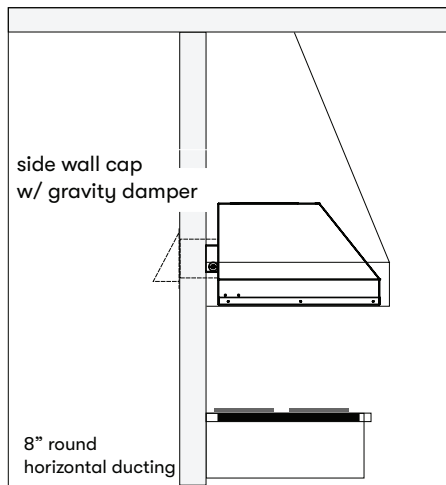


# WARNING



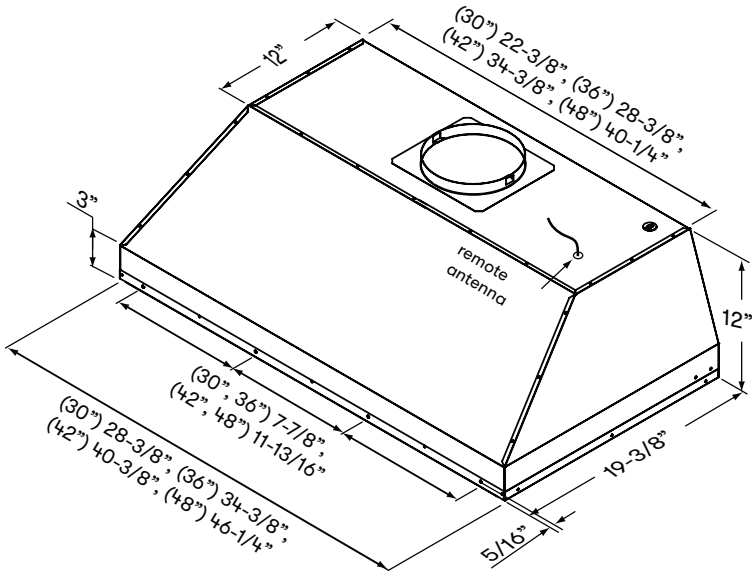
**Fire Hazard:** NEVER exhaust air or terminate ductwork into spaces between walls, crawl spaces, ceilings, attics, or garages. All exhaust must be ducted to the outside, unless using the recirculating option.

- ▶ Use single wall rigid metal ductwork only.
- ▶ Fasten all connections with sheet metal screws and tape all joints w/ certified Silver Tape or Duct Tape.

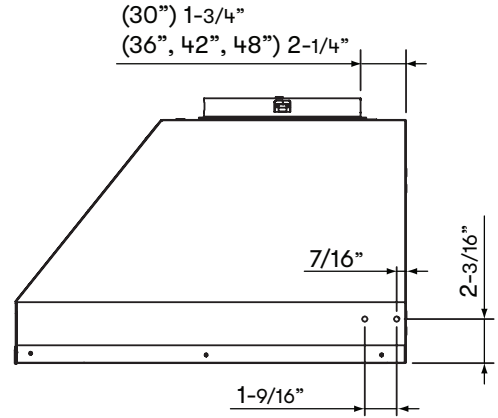


# Installation Instructions

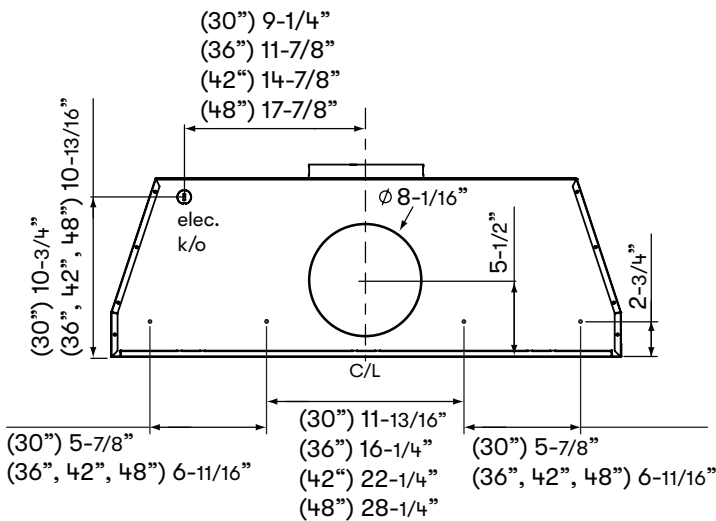
## Hood Specifications



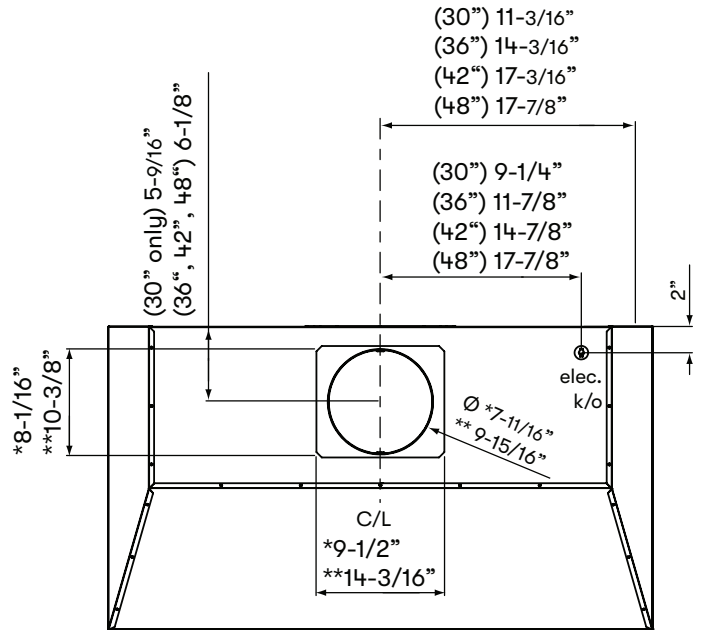
3/4 View



Side View



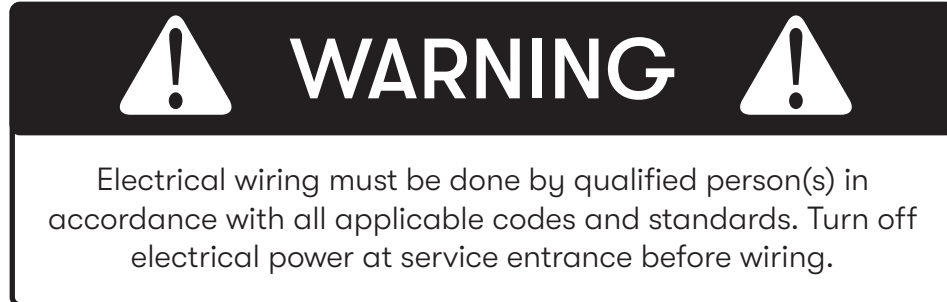
Back View



Top View

\* 8" round ducting  
\*\* 10" round ducting

## Electrical Supply



For personal safety, remove house fuse or open circuit breaker before beginning installation. Do not use extension cord or adapter plug with this appliance.

**Follow national electrical codes or prevailing local codes and ordinances.**

This appliance requires a 120V 60Hz electrical supply, and connected to an individual, properly grounded branch circuit, protected by a 15 or 20 ampere circuit breaker or time delay fuse. Wiring must be 2 wire w/ ground. Please also refer to the Electrical Diagram labeled on product.

## Cable Lock

A cable locking connector (not supplied) might be required by local codes. Check with local requirements and codes, purchase and install appropriate connector if necessary. (FIG. A)

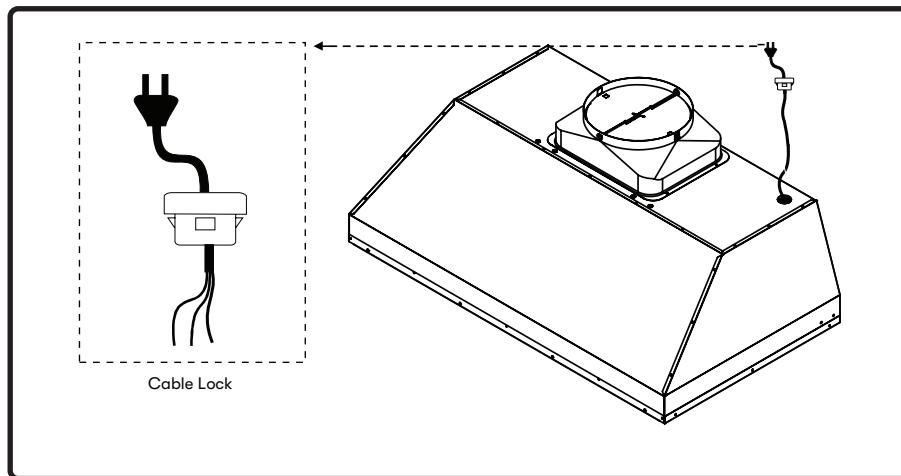


FIG. A

# Installation Instructions

## Preparation & Installation



### CAUTION

At least two installers are required due to the weight and size of the hood.

1. Remove all packing materials and protective film prior to installation. Use caution during installation to prevent scratches or damage to the stainless steel. Remove safety screw on top of hood body.
2. Cut out an opening in the bottom of the cabinet by following the dimensions in FIG. B.
3. Prepare hood for installation into cabinet by following the steps on page 15-16 for vertical ducting and 17-19 for horizontal ducting and 20-22 for dual blower installation, if desired.
4. Lift hood into bottom opening of cabinet and secure to interior of cabinet using (8) #8 x 1/2" stainless steel screws; (4) screws in the front and (4) screws in the sides. FIG. C.



### WARNING

Make sure the surface you are securing the liner to is capable of holding the weight of AK94. Failure to do so may cause personal injury or damage to cooking surface or counter.

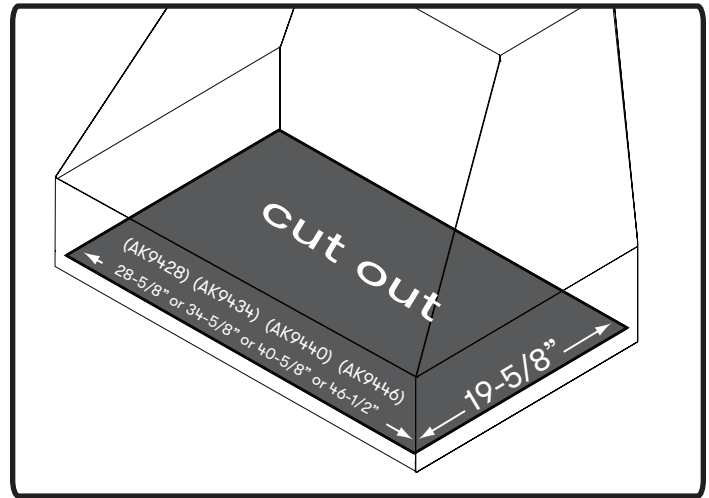


FIG. B

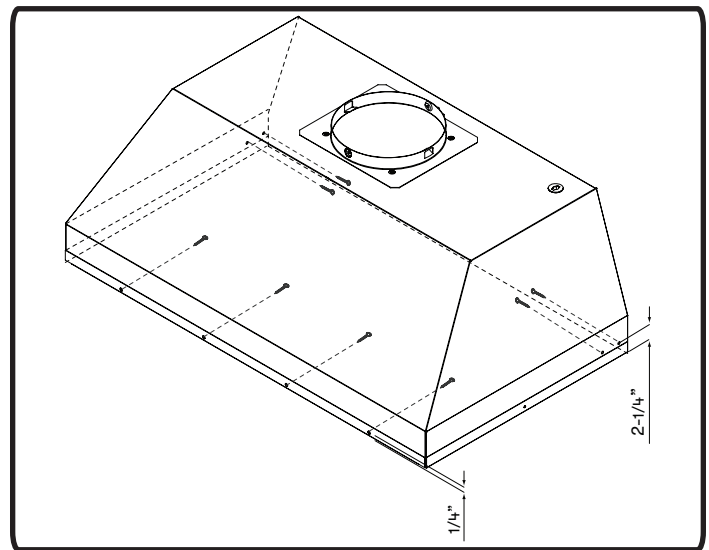


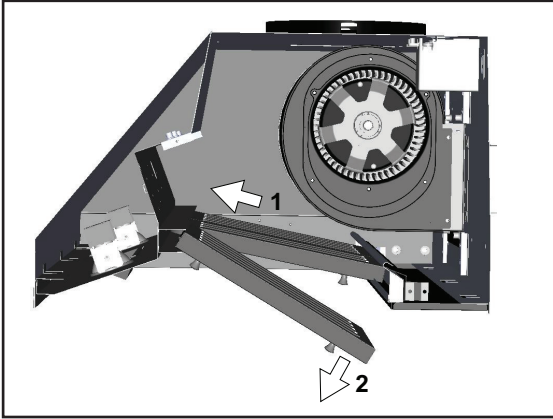
FIG. C

5. If using RF remote control, remove the light panel by (5) screws and extend the blue antenna wire. There is no need to secure it. Reinstall light panel.
6. Finalize installation of electrical and duct work. Seal duct work with certified aluminum duct tape. Power on hood, check for leaks around duct tape and verify proper operation.

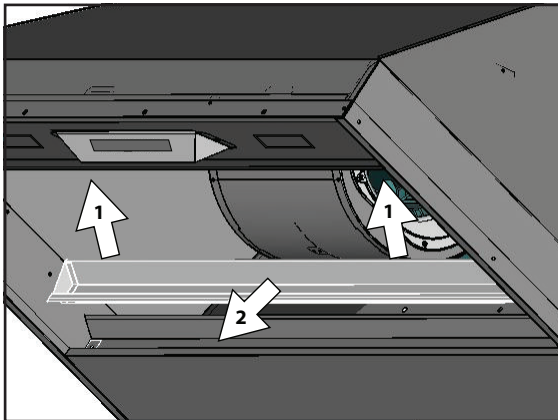
**NOTE:** If access to top of hood is not available after installation, electrical and duct work connection may need to be made prior to installing the hood.

7. Re-install the previously removed bottom panel, side spacer panels (if applicable), grease tray, and baffle filters.

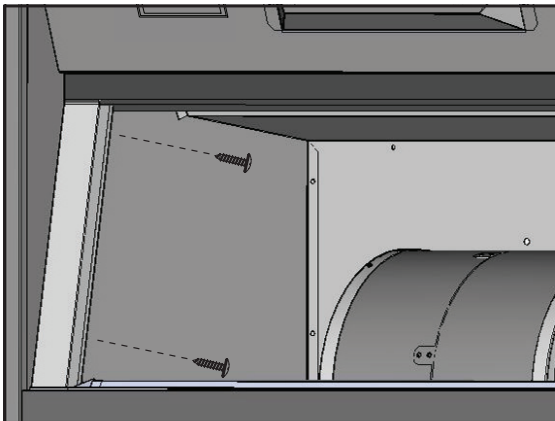
## Preparation & Installation



1. Remove baffle filters by: 1) Pulling filter toward front of liner. 2) Pivoting rear of filter down.



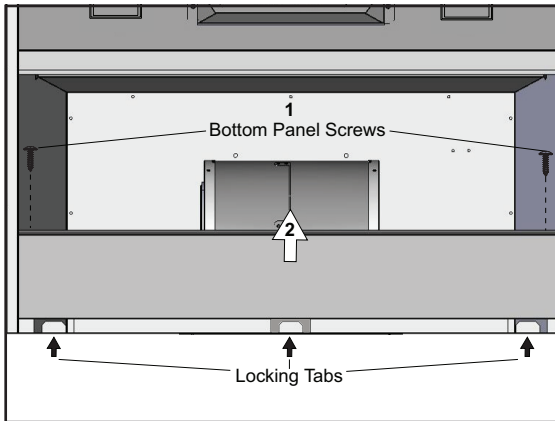
2. Remove grease tray by: 1) Pulling up on tray to release from bottom panel. 2) Lifting tray out of liner body.



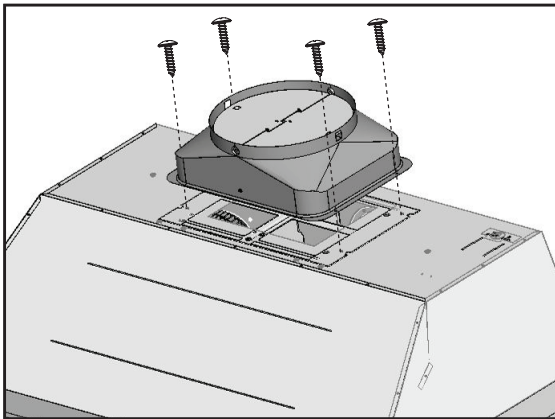
3. Remove left and right side-spacer panels by removing (2) screws from behind each panel, if applicable.

# Installation Instructions

## Preparation & Installation



4. Remove bottom panel by: 1) Removing (2) screws from left and right sides of bottom panel. 2) Pulling bottom panel toward front of liner to release from locking tabs.



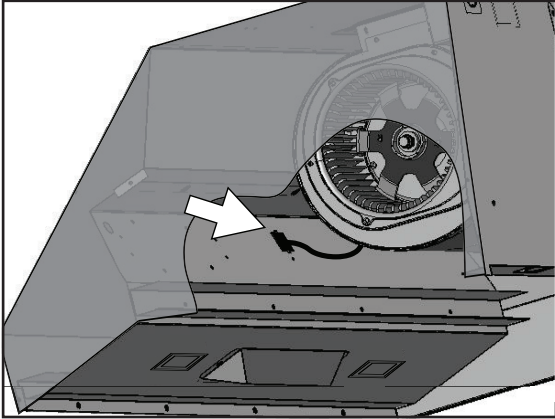
5. Secure 8" or 10" round ducting collar to top of insert by (4) M4 x 6mm screws.



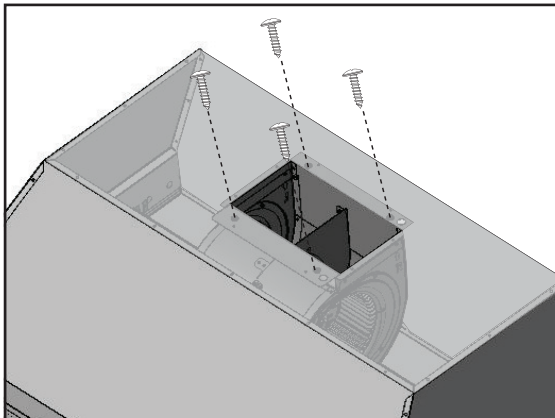
6. Vertical ducting preparation is complete. Refer to page 14, step 4 to complete installation.



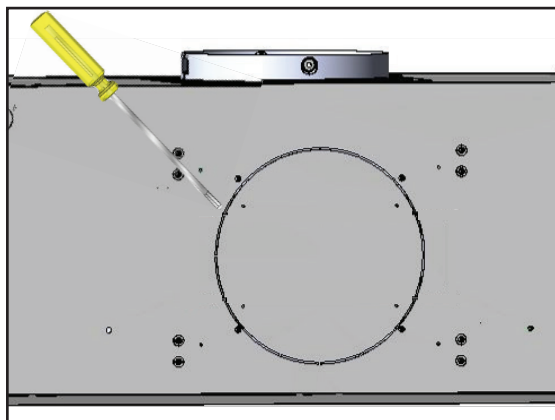
## Horizontal Ducting Preparation



1. Follow steps 1 to 4 from pages 15 and 16. Remove blower molex plug.



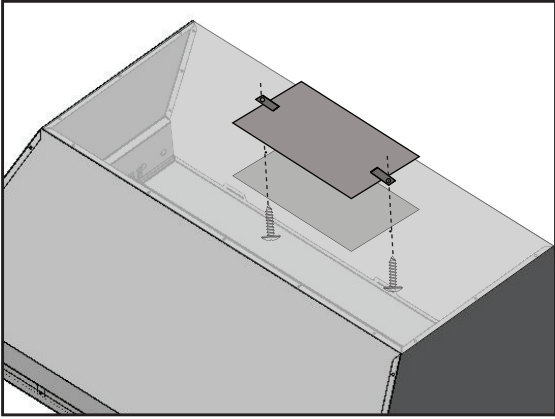
2. Remove blower from liner by removing the (4) 3/16" x 3/8" screws from the top of the liner. Set screws aside for later usage.



3. Using a flat head screwdriver, remove 8" round knock-out plate at the back of the liner.

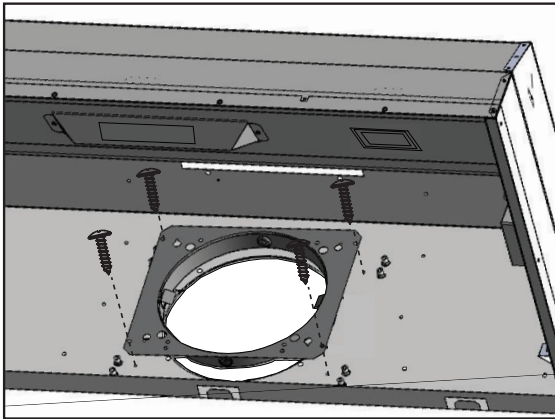
# Installation Instructions

## Horizontal Ducting Preparation

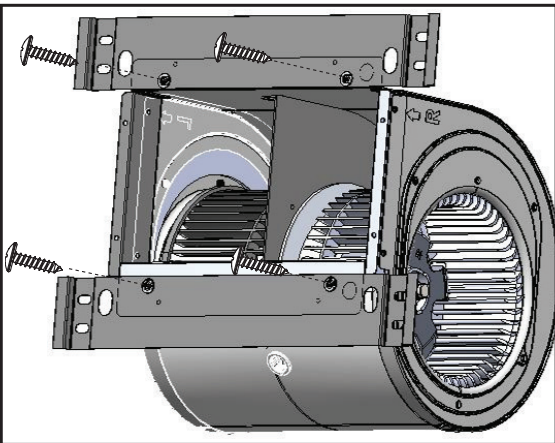


- Place top rectangular cover plate over opening on top of the liner.  
NOTE: Make sure the cover plate tabs are on top of the cover plate as shown. From inside the liner, secure plate to top of liner with (2) 3/16 x 3/8 screws.

At this point, install the liner into the cabinet by following the steps on page 14, step 4. After liner installation, continue on page 18.

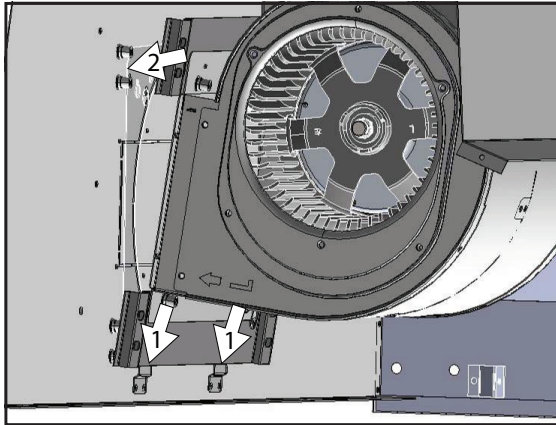


- From inside the liner, push 8" round adapter through the back knock-out and secure to interior back wall of liner with (4) M4 x 6mm screws.

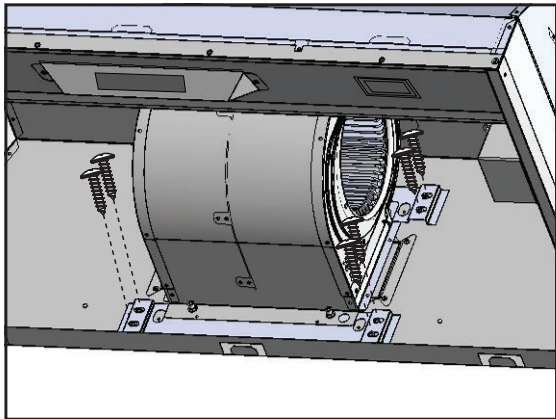


- Secure (2) horizontal ducting blower brackets to blower as shown above by using the (4) 3/16" x 3/8" screws previously removed from Page 17, Step 2; (2) screws for each bracket.

## Horizontal Ducting Preparation



7. Position blower inside liner body as shown by: 1) Rest the bottom horizontal ducting bracket on the two support clips located on the interior back wall of the liner. 2) Pivot top horizontal ducting bracket to meet captive nuts on interior back wall.



8. Secure blower to captive nuts on interior back wall of liner with (8) 3/16" x 3/8" screws, (4) screws for each bracket. Seal any gaps around the knock-out plate by using certified aluminum duct tape. Plug in blower moxex plug.

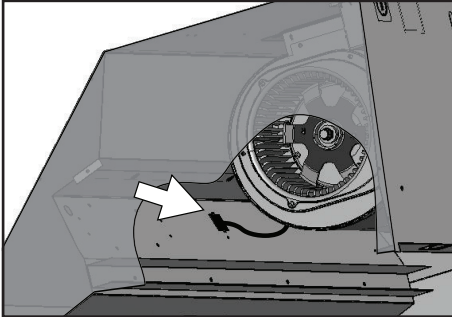
Horizontal ducting preparation is now complete. Refer to page 14, step 5 to complete installation.

# Installation Instructions

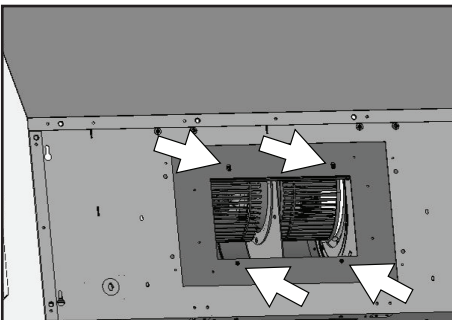
## PBD-1300B Dual Blower Installation

This range hood is equipped standard with a single blower vertical duct option. To convert from single blower vertical ducting to dual blower vertical ducting please following the instructions below.

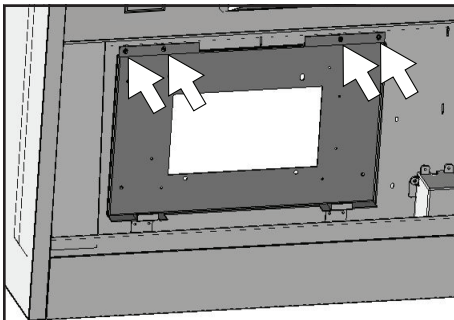
PBD-1300B dual blower kit compatible only with AK9434BS, AK9440BS, and AK9446BS.



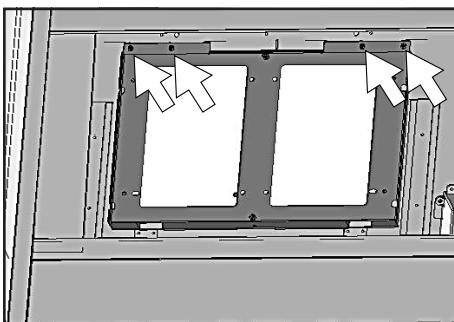
1. Remove the baffle filters and if applicable, remove the side panels. Disconnect blower plug.



2. Remove (4) screws at top of hood body attaching blower to blower plate. Remove blower from interior of hood body.

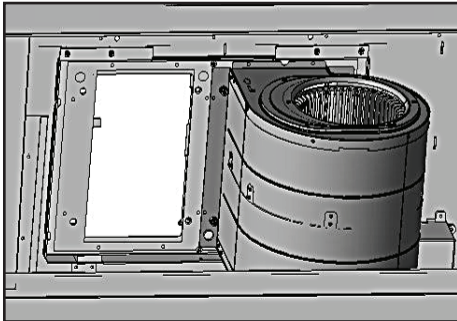


3. Remove (4) screws from interior of hood body attaching blower plate to hood body. Remove blower plate.

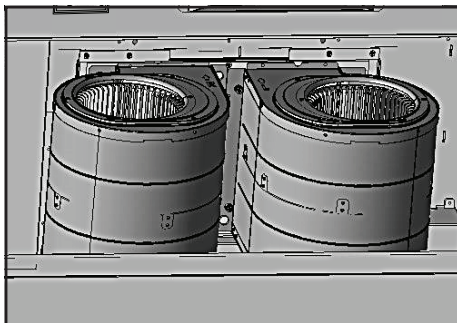


4. Install dual blower plate from PBD-1300B kit into hood body. Attach by (4) screws previously removed from step 3.

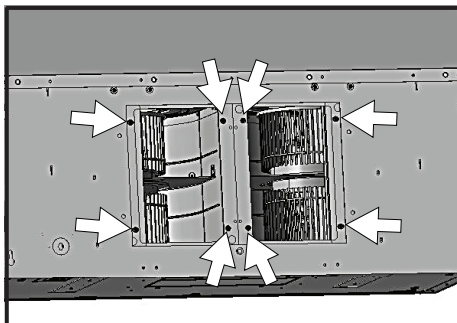
## PBD-1300B Dual Blower Installation



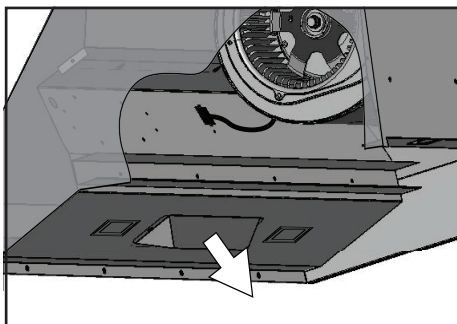
5. Install previously removed blower onto one side of dual blower plate and attach by (4) previously removed screws from step 2.



6. Install blower from PBD-1300B kit onto other side of dual blower plate by (4) 3/16 x 3/8 screws.



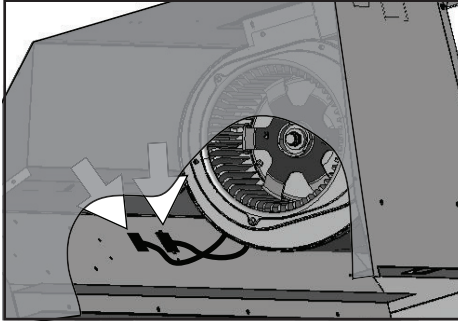
7. Dual blower screw mount locations.



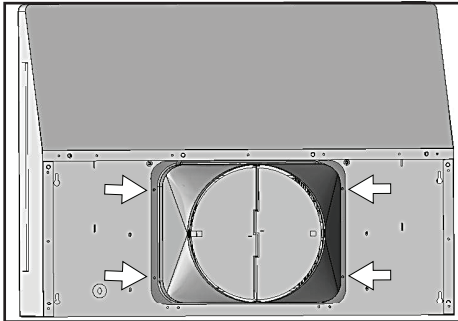
8. Remove (5) screws to remove the light panel. Install dual blower PCB inside the hood body.

# Installation Instructions

## PBD-1300B Dual Blower Installation



9. Refer to page 36-37 section for this step. Connect the wiring from the dual blower including both blower plugs, blower cable 6 pin connector (E), dual blower switch cable (H), black single pin power cord from dual blower (K), and white single pin power cord (F) to dual blower PCB.

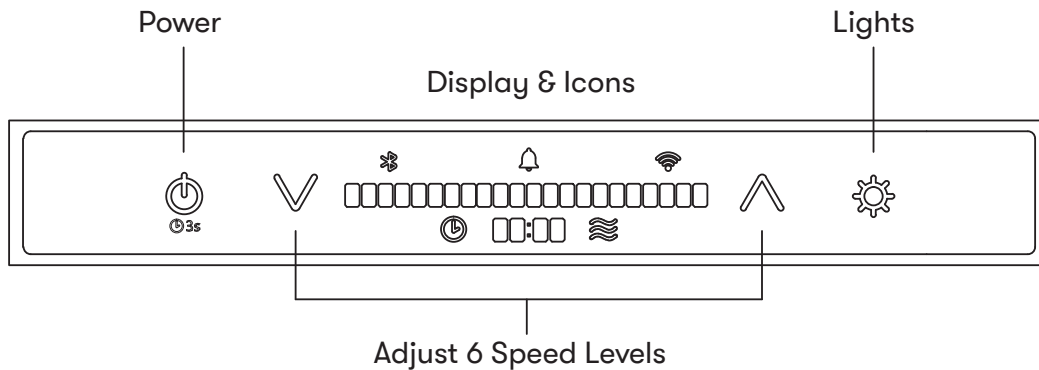


10. Place 10" round adapter (included with PBD-1300B) on top of hood and secure with (4) M3.5 x 8 screws.

**NOTE:** To secure the 10" transition adapter to top of hood a cut out of 14-1/2" width x 10-1/2" depth will need to be made in the cabinet bottom.

If internal cabinet dimensions prevent this size of a cut out then the 10" transition adapter may be mounted to the cabinet bottom rather than the top of the hood. Cut out dimensions for this type of installation are 13-1/4" width x 6-1/4" depth.

## Proximity Controls



### PROXIMITY SENSOR

- ▶ When approaching the hood while it is powered off, the Power, Fan Decrease, Fan Increase, and Light icons will illuminate, and “HELLO” will appear on the LCD display for 2 seconds.
- ▶ If neither the fan nor lights are turned on within 60 seconds, the icons will turn off, and “GOODBYE” will appear on the LCD display for 2 seconds.
  - ▶ The icons will not disappear until the fan and lights are turned off.

### CONTROL ICONS

#### Power

- ▶ Press the power icon to power on or off the fan and lights.
- ▶ The hood has a memory function to remember the last used settings for the fan and lights.
- ▶ After pressing the power icon to power off the hood, “GOODBYE” will appear on the LCD display for 2 seconds.
  - ▶ The 3s icon under the power icon only illuminates when the fan is powered on. It is an indicator to enable Automatic Delay Off by pressing and holding the power button for 3 seconds.

#### Decrease Fan Speed

- ▶ Press the icon to decrease fan speed from 6, 5, 4, 3, 2, 1, off.

#### Increase Fan Speed

- ▶ Press the icon to increase fan speed from off, 1, 2, 3, 4, 5, 6.

#### Lights

- ▶ Press the lights icon to change lighting level from 1, 2, 3, off.



# Features & Controls

## Proximity Controls

### DISPLAY ICONS & FUNCTIONS

#### Notification Bell

- ▶ The notification bell icon will illuminate when an action needs to be taken. Tapping the icon will cycle through the notifications. The notification bell will remain illuminated until all notifications are resolved. The notification bell will not illuminate when the hood and controls are powered off.


#### Bluetooth®

- ▶ The Bluetooth® icon will illuminate the device when connected with the hood via Bluetooth®. The words “BLUETOOTH CONNECTED” or “BLUETOOTH DISCONNECT” will appear on the LCD display whenever the connection changes.



#### Wi-Fi

- ▶ The Wi-Fi icon will illuminate when the hood is connected to the Wi-Fi. The words “WIFI CONNECTED” or “WIFI DISCONNECTED” will appear on the LCD display whenever the connection changes which will be managed via the Zephyr Connect app.

#### Automatic Delay Off

- ▶ While the fan is on, press and hold  for 3 seconds to enable the delay off timer. The fan will change to speed 1, the timer display will illuminate, the LCD display will show “AUTOMATIC DELAY OFF”, and the timer will begin counting down from 10 minutes. After the timer reaches 0, the fan and lights will power off.
- ▶ The automatic delay off function timer begins at 10 minutes by default. The Zephyr Connect app provides the options for either 5 or 10 minutes.

#### CleanAir


- ▶ When the fan is off, press and hold  and  simultaneously for 3 seconds to enable or disable the CleanAir function. The LCD display will show “CLEAN AIR ENABLED” or “CLEAN AIR DISABLED”.
- ▶ When enabled, the fan will turn on speed 1 every 4 hours for 10 minutes. While the fan is running, the LCD display will show “CLEAN AIR ACTIVE” and the CleanAir icon will illuminate.



---

## Proximity Controls



### ACT™ Verification

- ▶ Airflow Control Technology (ACT™) allows the installer to set the maximum fan CFM to align with local codes and regulations. When the fan is off, press and hold  for 3 seconds to display ACT™ status.
- ▶ ACT 290 = 3 speeds, ACT 390 = 4 speeds, ACT 590 = 5 speeds.

### Grease Filter Clean Reminder

- ▶ After 60 hours of fan use, the notification bell icon will illuminate. When the bell is tapped, the LCD display will cycle between showing “CLEAN GREASE FILTERS” and then “HOLD DOWN TO RESET” every 2 seconds. If no action is taken for 30 seconds, the display turns off and the notification bell icon will remain illuminated.
  - ▶ To hold down and reset, press and hold the fan decrease button for 3 seconds to reset. The Zephyr Connect app provides the option to reset the reminder.

### Recirculating Mode - Charcoal Filter Replacement Reminder

- ▶ Hold  and  for 3 seconds to enable or disable recirculating mode which will remind you to replace the charcoal filter. The LCD display will show “RECIRCULATING ENABLED” to enable and “RECIRCULATING DISABLE” to disable for 2 seconds.
- ▶ After 200 hours of fan use, the notification bell icon will illuminate. When the bell is tapped, the LCD display will cycle between showing “REPLACE CHARCOAL FLTR” and “HOLD UP TO RESET” every 2 seconds. If no action is taken for 30 seconds, the display turns off and the notification bell will remain illuminated.
  - ▶ To hold up and reset, press and hold the fan increase button for 3 seconds to reset. The Zephyr Connect app provides the option to reset the reminder.

### Remote Control Pairing Mode

- ▶ Hold  for 3 seconds to enable remote control pairing mode. Once pairing mode is enabled, the LCD display will illuminate “REMOTE PAIRING”. Press a button on the remote control to synchronize it with the hood.

# Features & Controls

## Zephyr Connect

Your range hood is compatible with our Zephyr Connect app. All you need is a WiFi connection with access to the Internet that can reach the location of your range hood. Zephyr Connect allows you to control your range hood from anywhere using a mobile device or your Amazon Alexa or Google Home smart speaker. Zephyr Connect also includes real time diagnostics and provides you with important product information.

The Zephyr Connect app is available on iOS devices using iOS 11.0 or later or Android devices using Android version 8 or later. Visit the Apple App Store or Google Play Store for more information.

If your range hood is not connected to WiFi, the functionality will operate similarly to a typical range hood without WiFi connectivity.

Please review the included Zephyr Connect Quick Start Guide for more information.

If you have connected your hood with either Amazon Alexa or Google Home smart speakers, you now have voice control capabilities. The list of commands for Amazon Alexa and Google Home are on the next page.

**NOTE:** Amazon Alexa and Google Home cannot support the voice commands in French.



## Zephyr Connect

Control Type	Amazon Alexa Voice Commands	Description
Power	Alexa, turn on [Hood Name]	Turn on range hood power
	Alexa, turn off [Hood Name]	Turn off range hood power
Fan	Alexa, increase [Hood Name] Fan Speed	Increase fan speed on range hood
	Alexa, decrease [Hood Name] Fan Speed	Decrease fan speed on range hood
	Alexa, set [Hood Name] Fan Speed to [1-6]	Set range hood to specific fan speed
	Alexa, set [Hood Name] Fan Speed to Maximum	Set fan speed to 6 on range hood
	Alexa, set [Hood Name] Fan Speed to Minimum	Set fan speed to 1 on range hood
Light	Alexa, turn on [Hood Name] Light	Turn on the light on range hood
	Alexa, turn off [Hood Name] Light	Turn off the light on range hood
	Alexa, increase [Hood Name] Light(s)	Increase light level on range hood
	Alexa, decrease [Hood Name] Light(s)	Decrease light level on range hood
	Alexa, set [Hood Name] Light(s) to High	Set light level to High on range hood
	Alexa, set [Hood Name] Light(s) to Bright	Set light level to High on range hood
	Alexa, set [Hood Name] Light(s) to Low Alexa, set [Hood Name] Light(s) to Dim	Set light level to Low on range hood
Delay-Off	Alexa, set delay time to 1 minute on [Hood Name] Alexa, set delay time to 2-10 minutes on [Hood Name]	Enable delay timer for 1-10 minutes. After 1-10 minutes, the hood will be power off.
	Alexa, [Start/Enable] [Hood Name] Delay Off Timer	Enable delay off timer for 10 minutes. After 10 minutes, the hood will power off.
	Alexa, [Stop/Disable] [Hood Name] Delay Off Timer	Disable delay off timer

Control Type	Google Home Voice Command	Description
Power	Hey Google, turn on [Hood Name]	Turn on range hood power
	Hey Google, turn off [Hood Name]	Turn off range hood power
Fan	Hey Google, increase [Hood Name] speed	Increase fan speed on range hood
	Hey Google, decrease [Hood Name] speed	Decrease fan speed on range hood
	Hey Google, set [Hood Name] to speed [1-6]	Set range hood to specific fan speed
	Hey Google, set [Hood Name] to maximum speed	Set fan speed to the maximum on range hood
	Hey Google, set [Hood Name] to minimum speed	Set fan speed to the minimum on range hood
Light	Hey Google, turn on [Hood Name] light(s)	Turn on the light on range hood
	Hey Google, turn off [Hood Name] light(s)	Turn off the light on range hood
	Hey Google, set [Hood Name] light(s) to High Hey Google, set [Hood Name] light(s) to Bright	Set light level to High on range hood
	Hey Google, set [Hood Name] light(s) to Low Hey Google, set [Hood Name] light(s) to Dim	Set light level to Low on range hood
	Hey Google, set [Hood Name] light(s) to 1-3	Set range hood to specific light level
	Hey Google, Run [Hood Name] for 1-10 minutes	Enable delay timer for 1-10 minutes. After 1-10 minutes, the hood will be power off.
	Hey Google, Start 1-10 minute timer on [Hood Name]	Enable delay timer for 1-10 minutes. After 1-10 minutes, the hood will be power off.
Delay-Off	Hey Google, Stop [Hood Name] timer	Disable delay timer
	Hey Google, Cancel [Hood Name] timer	Disable delay timer

# Features & Controls

## Optional RF Remote Control


To order the RF remote control, the part number is 14000005. The blue antenna wire needs to be extended for optimal signal. Please refer to section, Mounting the Hood, for instructions.

### FCC Caution

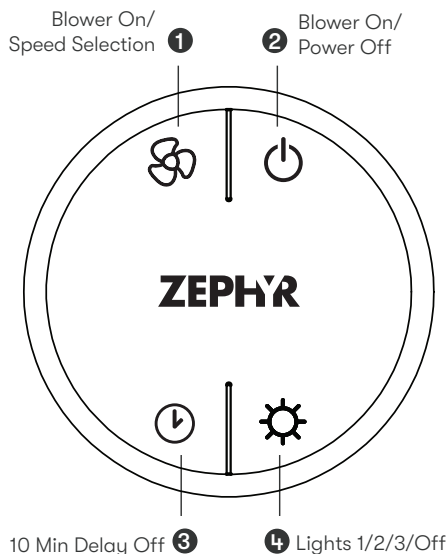
To assure continued compliance, any changes or modifications not expressly approved by the party responsible for compliance could void the user's authority to operate this equipment. (Example - use only shielded interface cables when connecting to computer or peripheral device. This device complies with Part 15 of the FCC Rules. Operation is subject to the following two conditions. (1) This device may not cause harmful interference, and (2) This device must accept any interference received, including interference that may cause undesired operation.

### Synchronization


To create a unique link between your hood and remote control please follow these steps.

1. With hood off, press and hold  on the hood until the controls display "REMOTE PAIRING".
2. Press a button on the remote, and the remote control will be synchronized with the hood.



### RF Remote Control Functions




#### 1 Blower On / Speed Selection

Press  to power on blower and cycle through all six blower speeds.

#### 2 Blower On / Power Off

By pressing , the blowers will power on at the last speed setting. Press  again and the entire hood will power off, including lights.

#### 3 Delay Off

By pressing , the blower and lights will enter Automatic Delay Off mode. The clock icon will illuminate and the controls will display "AUTOMATIC DELAY OFF". The blower will change to speed 1 and a 10 minute timer will begin counting down.

#### 4 Lights 1/2/3/Off

Switch between light levels by pressing . Turn off the lights by cycling through the different light levels.

## Optional RF Remote Control

### RF Remote Features

The RF remote control is equipped with a magnet on the back for easy storage. The remote may be placed on any magnetic surface such as a refrigerator or the Zephyr remote holder, FIG. D. The remote holder can be inserted into a standard electrical outlet for easy storage. Note: The remote holder does not charge the RF remote.

Maximum remote control communication distance is 15 feet from the liner.

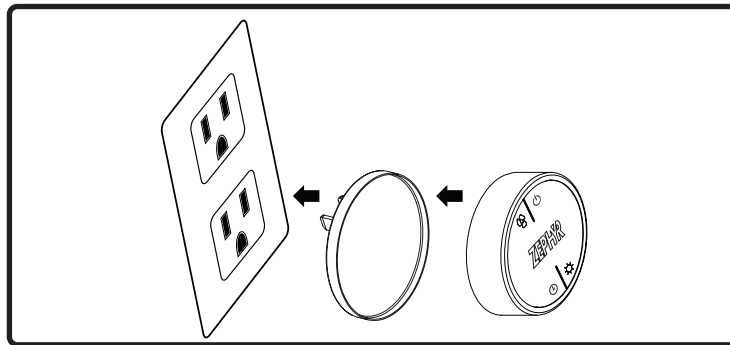


FIG. D

### RF Remote Maintenance

Clean the remote control using non abrasive detergents.

Follow instructions below for replacing battery. Using a small flat head screwdriver, raise the cover of the battery door (A) in order to access the battery compartment. FIG. E.

Remove the battery and replace with battery type A23 12V. Negative end of battery should face the spring inside the remote.

Re-install battery door and recycle old battery.

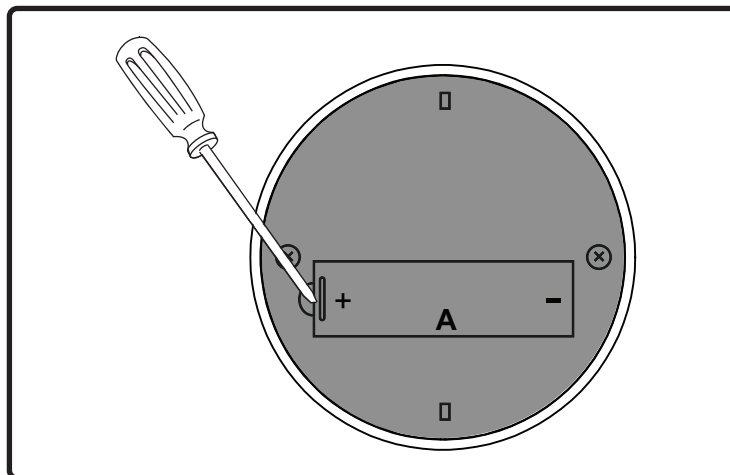


FIG. E

# Maintenance

---

## Hood & Filter Cleaning

### Surface Maintenance

- ▶ Do not use corrosive detergents, abrasive detergents or oven cleaners.
- ▶ Do not use any product containing chlorine bleach or any product containing chloride.
- ▶ Do not use steel wool or abrasive scrubbing pads which will scratch and damage surface.

### Cleaning Stainless Steel

Clean periodically with warm soapy water and clean cotton cloth or micro fiber cloth. Always rub in the direction of the stainless steel grain. To remove heavier grease build up use a liquid degreaser detergent.

After cleaning use a non-abrasive stainless steel polish/cleaners, to polish and buff out the stainless luster and grain. Always scrub lightly, with clean cotton cloth or micro fiber cloth and buff in the direction of the stainless steel grain.

### Cleaning the Baffle Filters

The filters are intended to trap residue and grease from cooking. Although the filters should never need replacing, they are required to be cleaned every 30 days or more often depending on cooking habits.

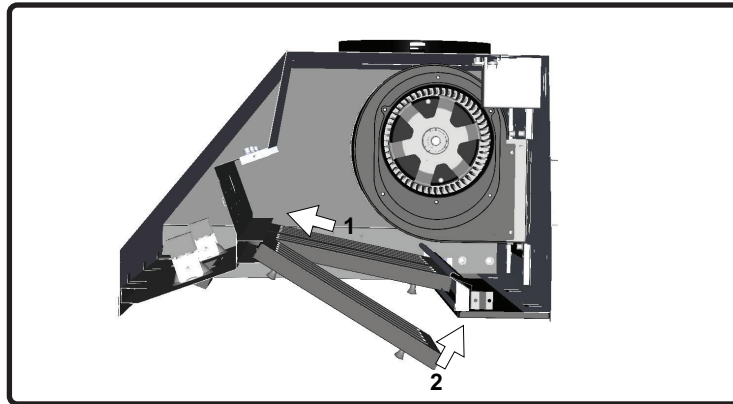
Filters may be placed in dishwasher at low heat or soaked in hot soapy water. Dry filters and re-install before using hood.

### Cleaning the Grease Tray

The grease tray is intended to catch residue and grease that may drip from the baffle filters. The grease tray should be cleaned when baffle filters are cleaned. Clean the grease tray by soaking in hot soapy water and gently scrubbing any residue off with a soft terry cloth. Dry grease tray and re-install before using hood.

**Installing the Baffle Filters, FIG. F:**

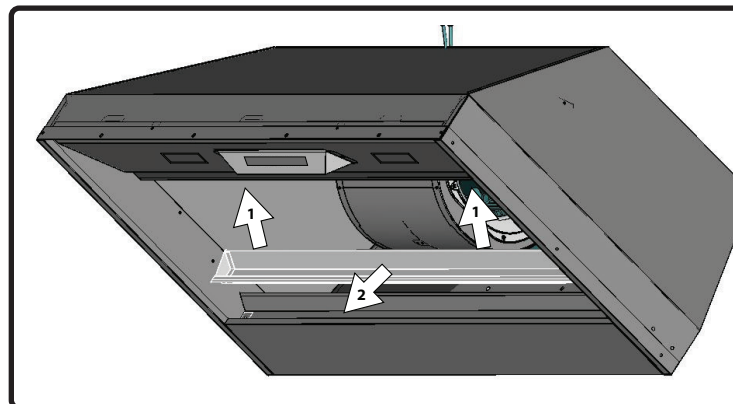
1. Place filter into top groove of the liner as shown and pull towards front of liner using handles.
2. Pivot back of filter upwards so it is angled in the liner.
3. Push filter into channel on back of liner to lock into place.

**FIG. F****Removing the Grease Tray**

Grease tray has a hooked lip that attaches to bottom panel top edge.

Remove grease tray by:

1. Pull up on tray to release from bottom panel. FIG. G1
2. Pull tray out of liner body. FIG. G2

**FIG. G**

# Maintenance

## LumiLight LED

In the unlikely event that your LumiLight LED fails, please contact Zephyr to order replacement parts.

See the list of parts and accessories page for part numbers and contact information.

### LED Removal (FIG. H):

1. Remove baffle filters.
2. Remove light panel by five screws.
3. Disconnect LED light quick connector.
4. Push in the two side clips on the ends of the LED light.
5. Push LED light through the light panel opening.

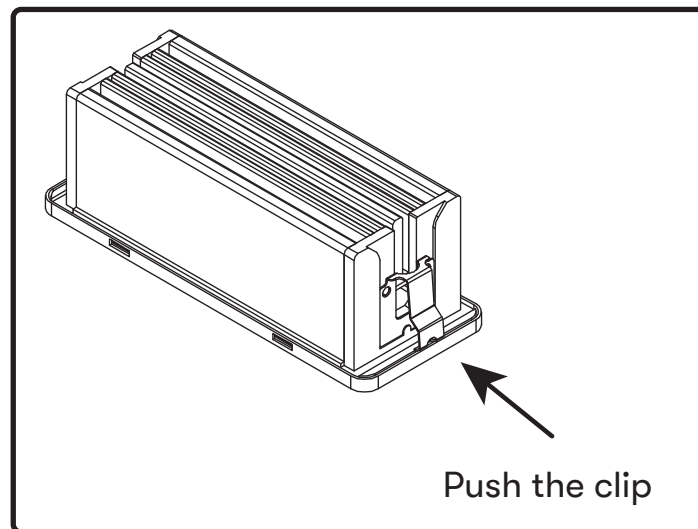


FIG. H



## Airflow Control Technology (ACT™)

Some local codes limit the maximum amount of CFM a range hood can move. ACT™ allows you to control the maximum blower CFM of select Zephyr Ventilation range hoods without the need for expensive make up air kits. ACT™ enables the installer to easily set the maximum blower speed to one of three most commonly specified CFM levels; 590, 390, or 290 CFM. The usage of ACT™ may not be necessary for your installation. Please check your local codes for CFM restrictions.



### CAUTION



Hood must be disconnected from the main power prior to performing the conversion instructions listed below. Failure to do so could result in personal injury or damage to the product.



### CAUTION



After re-positioning the jumper and powering on the hood, the CFM cannot be changed again.

# ACT™ Conversion

---

## Enabling ACT™

### To enable ACT™:

1. Before hood installation, gain access to PC board by following the steps shown on FIG. I.
2. Change plastic jumper positioning as shown in FIG. J to set the desired maximum blower CFM.
3. Re-install PC board and continue with hood installation.
4. Remove the appropriate foil CFM sticker included with the hood literature and place inside the hood body below the wiring diagram or in another clearly visible location.

### To verify if your installer enabled ACT™:

1. With hood off, hold the On/Off button for three seconds. The Display will show if ACT™ is disabled and set to the maximum CFM or if ACT™ is enabled and set to one of the restricted maximum CFM levels of 590, 390 or 290.
2. There should also be a foil label located inside the hood body near the wiring diagram that indicates the blower CFM.

## Enabling ACT™

1. PC board located behind the light panel.
2. (If applicable) Remove both spacer panels by 2 screws for each spacer panel.
3. Remove 5 screws attaching light panel.

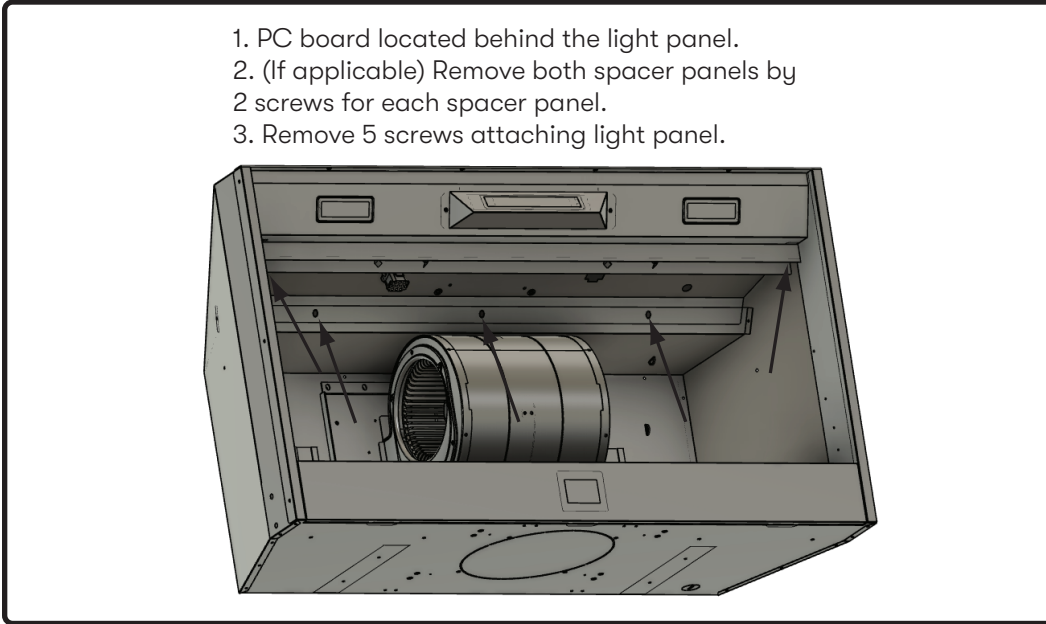


FIG. I

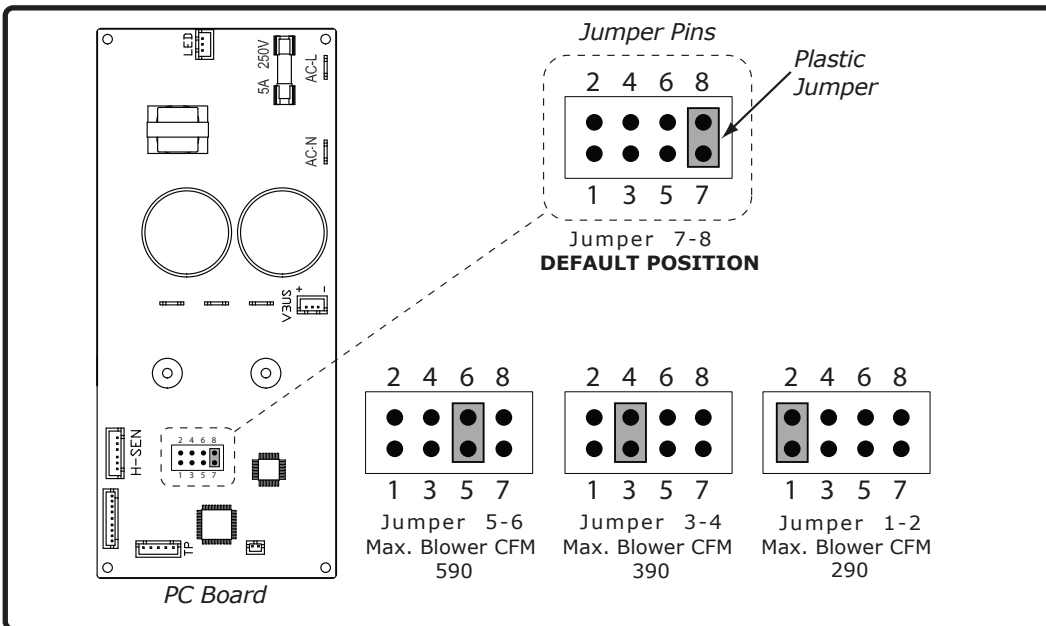
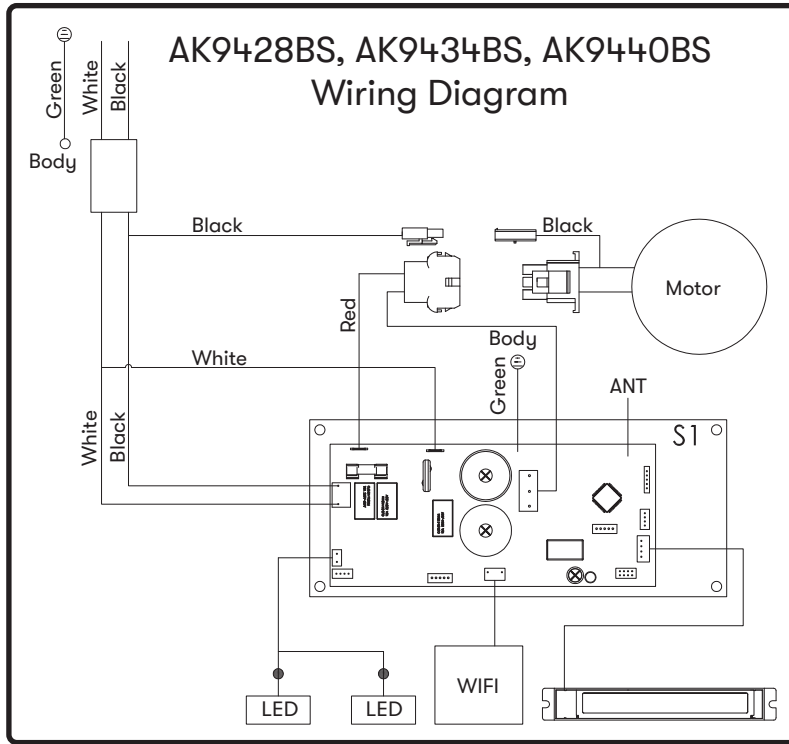


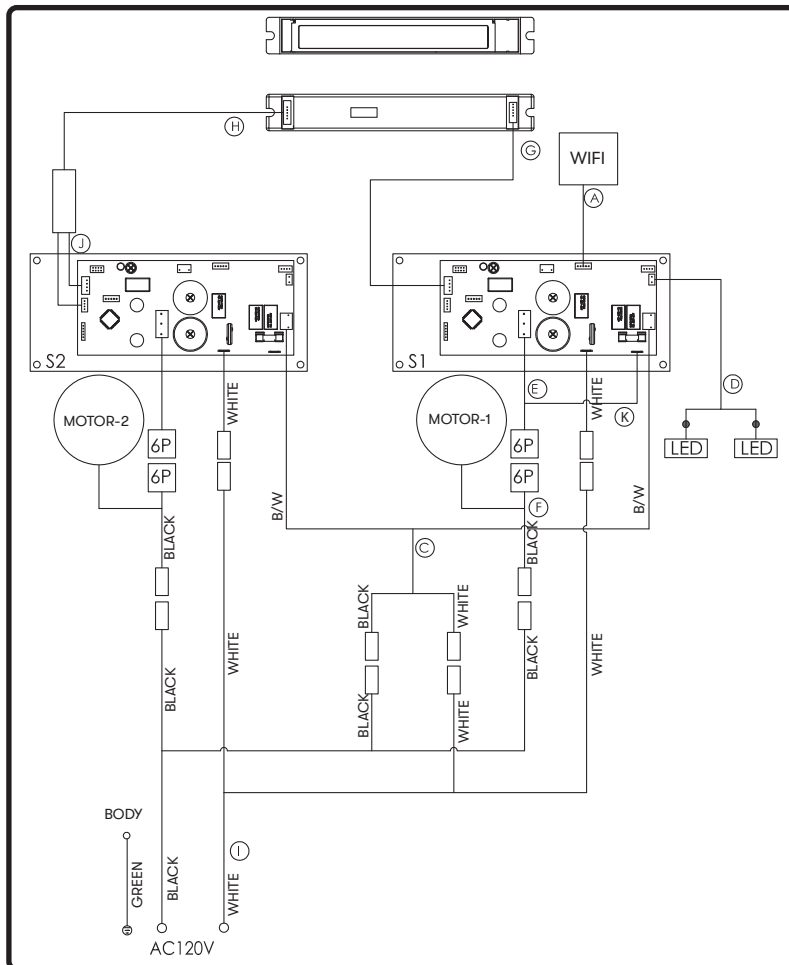
FIG. J

# Wiring Diagram

Single Blower

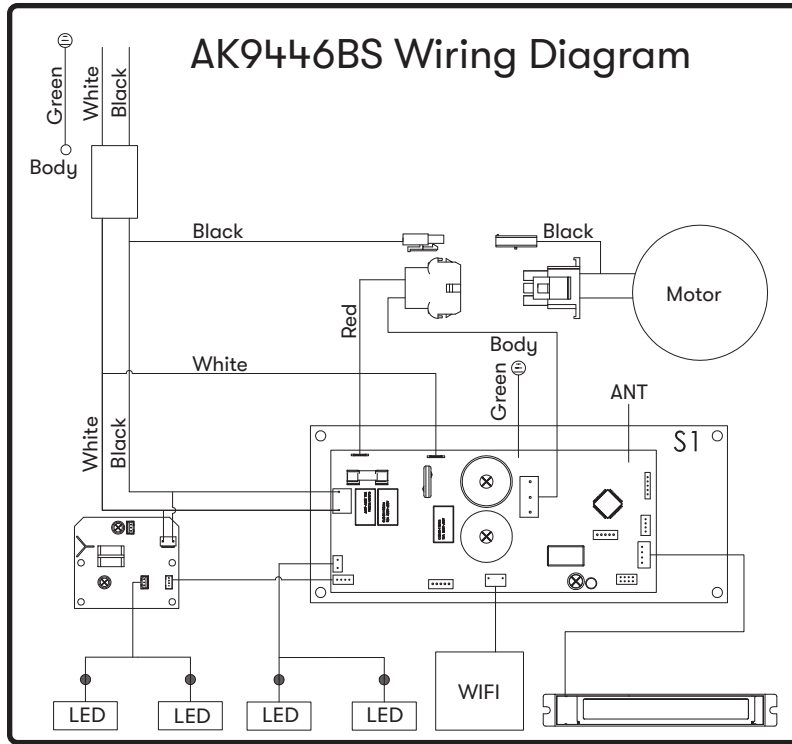


Dual Blower

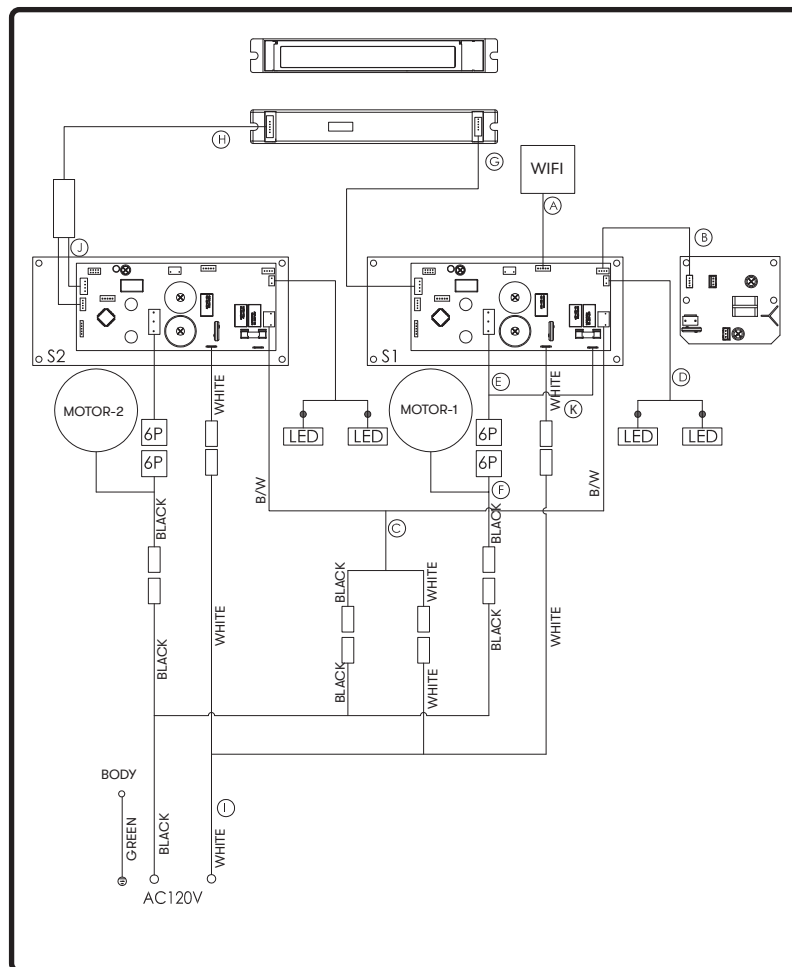


- A. Wi-Fi connection wire
- C. Power wire for expansion PCB
- D. Power wire for expansion PCB
- E. Blower connection wire
- F. Blower connection wire
- G. Control connection wire
- H. Dual blower PCB to switch wire
- I. Power lead
- J. Dual blower connection wire
- K. Blower connection wire

Single Blower





Dual Blower



- A. Wi-Fi connection wire
- B. LED PCB wire
- C. Power wire for expansion PCB
- D. Power wire for expansion PCB
- E. Blower connection wire
- F. Blower connection wire
- G. Control connection wire
- H. Dual blower PCB to switch wire
- I. Power lead
- J. Dual blower connection wire
- K. Blower connection wire

# Troubleshooting

Possible Problem	Possible Cause	Solutions
After installation, the unit doesn't work.	The power source is not turned ON.	Make sure the circuit breaker and the unit's power is ON.
	The power line and the cable locking connector is not connecting properly.	Check the power connection with the unit is connected properly.
	The switch board or control board wirings are disconnected.	Make sure the wirings at the switch board and control board are connected properly.
	The switch board or control board is defective.	Change the switch board or control board.
	The wires on control board are loose.	Make sure the wires on the control board are connected properly.
Light works, but blower is not turning.	The blower wire is not connected.	Make sure the blower wire is plugged into the molex connector.
	The thermally protected system detects if the blower is too hot to operate and shuts the blower down.	The blower will function properly after the thermally protected system cool down.
	Damaged capacitor.	Change the capacitor.
	Blower molex plug pin is not making contact.	Disconnect the blower molex plug, check pins inside plug to see if pin is pushed inside the plug too far. Reset pin if needed.
	The blower is defective, possibly seized.	Change the blower.
The unit is vibrating.	The blower is not secured in place.	Tighten the blower in place.
	Damaged blower wheel.	Replace the blower.
	The hood is not secured in place.	Check the installation of the hood.
The unit is whistling.	A filter is not in the correct position.	Adjust the filters until the whistling stops.
	The duct pipe connections are not sealed or connected properly.	Check the duct pipe connections to be sure all connections are sealed properly.
The blower is working, but the LumiLight LEDs are not.	The LumiLight LED connector is disconnected.	Connect the LumiLight LED connector.
	Defective LumiLight LED.	Change the LumiLight LED.
	The switch board or control board is defective.	Change the switch board or control board.

Possible Problem	Possible Cause	Solutions
The hood is not venting out properly.	Using the wrong size of ducting.	Change the ducting to the correct size.
	The hood might be hanging too high from the cook top.	Adjust the distance between the cook top and the bottom of the hood within 24" and 34" range.
	The wind from the opened windows or opened doors in the surrounding area are affecting the ventilation of the hood.	Close all the windows and doors to eliminate the outside wind flow.
	Blockage in the duct opening or ductwork.	Remove all the blocking from the duct work or duct opening.
The unit turns on by itself.	Remote control may be paired incorrectly.	Resynchronize the remote control to connect to a different channel
	Someone is controlling the hood via the Zephyr Connect app.	Determine who is controlling the hood with the app.
Filter is vibrating.	Filter is loose.	Adjust or change the filter.
	Spring clip is broken on the filter.	Change the spring clip.
RF Remote control does not work.	Battery is dead.	Replace battery with type A23 12v.
	Poor communication with the hood.	Remote control must be within 15 ft of hood.
	RF Remote lost communication with the hood.	Reset hood and remote by switching power off at the circuit breaker for 5 minutes. Place remote on counter top near the hood and switch the circuit breaker back on.
	Blue antenna wire is not extended.	Extend the blue antenna wire behind the light panel.
The range hood and user's device won't pair via Bluetooth®.	The user's phone does not have Bluetooth® enabled.	Enable Bluetooth® on the user's phone.
	The user's phone may be out of range.	Move closer towards the range hood.
	User hasn't inputted the Bluetooth® code to successfully pair.	Enter the pairing code, 123456.
	Range hood is not in Bluetooth® pairing mode.	Hold  and  simultaneously for 5 seconds to put the hood into pairing mode.
	There are multiple errors preventing the user's phone from pairing with the range hood.	Restart the user's phone and try again.

# Troubleshooting

Possible Problem	Possible Cause	Solutions
The range hood won't connect to Wi-Fi.	The user's router or modem is turned off.	Turn on the router or modem.
	The user's router is connected to a 5 GHz wireless frequency.	Connect to the 2.4 GHz band and attempt to reconnect.
	The user's coaxial cables are loose.	Tighten the coaxial cables connecting to the router or modem.
	The Wi-Fi on the user's phone is disabled.	Enable Wi-Fi on the phone.
	User is connecting to the wrong Wi-Fi network.	Verify that the correct Wi-Fi network is being connected to. The default Wi-Fi network name/SSID can be found on the router.
	The range hood is not in range of the Wi-Fi connection.	Move the router and modem closer to the range hood to increase connection strength.
	There are obstacles obstructing the Wi-Fi signal strength.	Move the router and modem closer to the range hood or move objects that are directly blocking the pathway to the range hood. Walls may reduce signal strength.
User cannot change Wi-Fi connections.	The range hood and user's phone have already connected.	Enter Bluetooth® settings and forget the device to reset the process on the phone.
Cannot bind the hood to my Zephyr Connect account.	Only one Zephyr Connect account can be bound to the hood.	Log in using the Zephyr Connect account that is already bound to the hood. Multiple devices can login using the same account.
Zephyr Connect app won't register user inputs.	Wi-Fi is unstable and the range hood may have disconnected.	Ensure the router and modem are both turned on. Allow the range hood to reconnect.
	Range hood is experiencing difficulties connecting to the user's phone.	Check on the Wi-Fi connection and restart the application.
Zephyr Connect app stuck on "Loading".	Wi-Fi is unstable and the range hood may have disconnected.	Ensure the router and modem are both turned on. Allow the range hood to reconnect.
	Range hood is experiencing difficulties connecting to the user's phone.	Check on the Wi-Fi connection and restart the application.



---

Description	Part Number
<b>Replacement Parts</b>	
LumiLight LED, 6W	Z0B0047
Baffle Filter (each)	50210039
<b>Optional Accessories</b>	
RF Remote Control	14000005

To order parts, visit us online at <http://store.zephyronline.com>.

# Notes

---

**TO OBTAIN SERVICE UNDER WARRANTY OR FOR ANY SERVICE RELATED QUESTIONS, please call:  
1-888-880-8368**

Zephyr Ventilation, LLC (referred to herein as “we” or “us”) warrants to the original consumer purchaser (referred to herein as “you” or “your”) of Zephyr products (the “Products”) that such Products will be free from defects in materials or workmanship as follows:

**Three Year Limited Warranty for Parts:** For three years from the date of your original purchase of the Products, we will provide, free of charge, Products or parts (including LED light bulbs, if applicable) to replace those that failed due to manufacturing defects subject to the exclusions and limitations below. We may choose, in our sole discretion, to repair or replace parts before we elect to replace the Products.

**One Year Limited Warranty for Labor:** For one year from the date of your original purchase of the Products, we will provide, free of charge, the labor cost associated with repairing the Products or parts to replace those that failed due to manufacturing defects subject to the exclusions and limitations below. After the first year from the date of your original purchase, you are responsible for all labor costs associated with this warranty.

**Warranty Exclusions:** This warranty covers only repair or replacement, at our option, of defective Products or parts and does not cover any other costs related to the Products including but not limited to: (a) normal maintenance and service required for the Products and consumable parts such as fluorescent, incandescent or halogen light bulbs, mesh and charcoal filters and fuses; (b) any Products or parts which have been subject to freight damage, misuse, negligence, accident, faulty installation or installation contrary to recommended installation instructions, improper maintenance or repair (other than by us); (c) commercial or government use of the Products or use otherwise inconsistent with its intended purpose; (d) natural wear of the finish of the Products or wear caused by improper maintenance, use of corrosive and abrasive cleaning products, pads, and oven cleaner products; (e) chips, dents or cracks caused by abuse or misuse of the Products; (f) service trips to your home to teach you how to use the Products; (g) damage to the Products caused by accident, fire, floods, acts of God; or (h) Custom installations or alterations that impact serviceability of the Products. If you are outside our service area, additional charges may apply for shipping costs for warranty repair at our designated service locations and for the travel cost to have a service technician come to your home to repair, remove or reinstall the Products. After the first year from the date of your original purchase, you are also responsible for all labor costs associated with this warranty. All Products must be installed by a qualified professional installer to be eligible for warranty repairs or service.

**Limitations of Warranty. OUR OBLIGATION TO REPAIR OR REPLACE, AT OUR OPTION, SHALL BE YOUR SOLE AND EXCLUSIVE REMEDY UNDER THIS WARRANTY. WE SHALL NOT BE LIABLE FOR INCIDENTAL, CONSEQUENTIAL OR SPECIAL DAMAGES ARISING OUT OF OR IN CONNECTION WITH THE USE OR PERFORMANCE OF THE PRODUCTS. THE EXPRESS WARRANTIES IN THE PRECEDING SECTION ARE EXCLUSIVE AND IN LIEU OF ALL OTHER EXPRESS WARRANTIES. WE HEREBY DISCLAIM AND EXCLUDE ALL OTHER EXPRESS WARRANTIES FOR THE PRODUCTS, AND DISCLAIM AND EXCLUDE ALL WARRANTIES IMPLIED BY LAW, INCLUDING THOSE OF MERCHANTABILITY AND FITNESS FOR A PARTICULAR PURPOSE.**

Some states or provinces do not allow limitations on the duration of an implied warranty or the exclusion or limitation of incidental or consequential damages, so the above limitations or exclusions may not apply to you. To the extent that applicable law prohibits the exclusion of implied warranties, the duration of any applicable implied warranty is limited to the same three-year and one-year periods described above if permitted by applicable law. Any oral or written description of the Products is for the sole purpose of identifying the Products and shall not be construed as an express warranty. Prior to using, implementing or permitting use of the Products, you shall determine the suitability of the Products for the intended use, and you shall assume all risk and liability whatsoever in connection with such determination. We reserve the right to use functionally equivalent refurbished or reconditioned parts or Products as warranty replacements or as part of warranty service. This warranty is not transferable from the original purchaser and only applies to the consumer residence where the Product was originally installed located in the United States and Canada. This warranty is not extended to resellers.

**To Obtain Service Under Limited Warranty:** To qualify for warranty service, you must: (a) notify us at the address or telephone number stated below within 60 days of the discovery of the defect; (b) give the model number and serial number; and (c) describe the nature of any defect in the Product or part. At the time of the request for warranty service, you must present evidence of your proof of purchase and proof of the original purchase date. If we determine that the warranty exclusions listed above apply or if you fail to provide the necessary documentation to obtain service, you will be responsible for all shipping, travel, labor and other costs related to the services. This warranty is not extended or restarted upon warranty repair or replacements.

Please check our website for any additional Product information, [www.zephyronline.com](http://www.zephyronline.com).

**Zephyr Ventilation Service Department, 2277 Harbor Bay Parkway, Alameda, CA 94502 1-888-880-8368**

MAY20.0401

# Product Registration

Congratulations on the purchase of your Zephyr product! Please take a moment to register your new Zephyr product at [www.zephyronline.com/registration](http://www.zephyronline.com/registration)

## IT'S IMPORTANT

Prompt registration helps in more ways than one.

- Ensures warranty coverage should you need service.
- Ownership verification for insurance purposes.
- Notification of product changes or recalls.



Zephyr Ventilation | 2277 Harbor Bay Pkwy. | Alameda, CA 94502 | 1.888.880.8368

# ZEPHYR

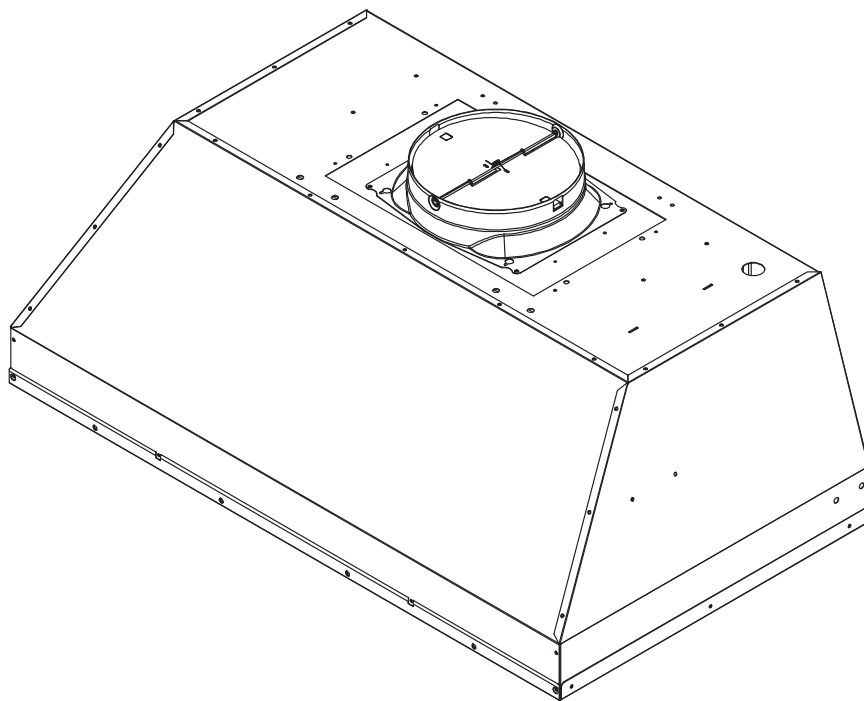
WWW.ZEPHYRONLINE.COM

## Monsoon Connect

AK9428BS, AK9434BS, AK9440BS, AK9446BS

EN Use, Care, and Installation Guide

FR Guide d'utilisation, d'entretien et d'installation



Zephyr Connect





---

	Page
<b>Consignes de sécurité</b> .....	<b>4-6</b>
Types d'avertissements de sécurité .....	4
Sécurité générale .....	4-5
Opération .....	6
Exigences électriques .....	6
Déclaration d'interface de la Federal Communication Commission ...	6
<b>Liste de matériel</b> .....	<b>7</b>
<b>Instructions d'installation</b> .....	<b>8-22</b>
Feuille de calcul pour le conduit d'aération .....	8
Hauteur de montage, dégagement et gaine .....	9-10
Options de conduits .....	11
Spécifications de la hotte .....	12
Fourniture électrique .....	13
Raccord de câble .....	13
Préparation et installation .....	14-16
Préparation des conduits horizontaux .....	17-19
Installation du double ventilateur PBD-1300B .....	20-22
<b>Fonctionnalités et commandes</b> .....	<b>23-29</b>
Contrôles de proximité .....	23-25
Zephyr Connect .....	26-27
Télécommande RF en option .....	28-29
<b>Entretien</b> .....	<b>30-32</b>
Nettoyage de la hotte et du filtre .....	30-31
LumiLight LED .....	32
<b>Conversion ACT™</b> .....	<b>33-35</b>
Technologie de contrôle du débit d'air (ACT™) .....	33
Activer ACT™ .....	34-35
<b>Schéma de câblage</b> .....	<b>36-37</b>
<b>Dépannage</b> .....	<b>38-40</b>
<b>Liste des pièces et accessoires</b> .....	<b>41</b>
<b>Remarques</b> .....	<b>42</b>
<b>Garantie limitée</b> .....	<b>43</b>
<b>Enregistrement du produit</b> .....	<b>44</b>

# Consignes de sécurité

## LISEZ ET CONSERVEZ CES INSTRUCTIONS

**Votre sécurité et celle des gens qui vous entourent sont très importantes.**

Ce manuel contient de nombreux messages de sécurité relatifs à votre appareil. Lisez tous les messages et conformez-vous-y en tout temps.



Voici le symbole d'alerte à la sécurité. Ce symbole vous informe de possibles dangers qui pourraient entraîner de graves lésions corporelles ou la mort. Tous les messages de sécurité suivent le symbole d'alerte à la sécurité et comportent les mots « **DANGER** », « **AVERTISSEMENT** » ou « **ATTENTION** ».

### DANGER

Le mot « danger » signifie que le fait de ne pas tenir compte de l'énoncé de sécurité peut entraîner une blessure grave ou la mort.

### AVERTISSEMENT

Le mot « avertissement » signifie que le fait de ne pas tenir compte de l'énoncé de sécurité peut entraîner des dommages importants au produit, une lésion corporelle grave ou la mort.

### ATTENTION

Le mot « attention » signifie que le fait de ne pas tenir compte de l'énoncé de sécurité peut entraîner une lésion corporelle mineure ou modérée, ou encore des dommages au produit ou à la propriété.

### Sécurité générale

### ATTENTION

Pour réduire le risque d'incendie ou de choc électrique, n'utilisez pas ce ventilateur avec un dispositif de commande à semi-conducteurs.

## AVERTISSEMENT

AVERTISSEMENT - POUR RÉDUIRE LES RISQUES D'INCENDIE, DE CHOC ÉLECTRIQUE OU DE BLESSURES AUX PERSONNES, RESPECTEZ LES SUIVANTS:

- a) N'utilisez cet appareil que de la manière prévue par le fabricant. Si vous avez des questions, contactez le fabricant.
- b) Avant l'entretien ou le nettoyage de l'unité, coupez l'alimentation au panneau de service et verrouillez les moyens de déconnexion de service pour éviter toute mise sous tension accidentelle. Lorsque le moyen de déconnexion de service ne peut pas être verrouillé, fixez solidement un dispositif d'avertissement bien visible, tel qu'une étiquette, au panneau de service.

## ATTENTION

Pour Une Ventilation Générale Uniquement. Ne Pas Utiliser Pour Évacuer Des Matières Et Des Vapeurs Dangereuses Ou Explosives. Soyez prudent lorsque vous utilisez des produits de nettoyage pour détergents. Convient pour une utilisation dans la zone de cuisson domestique.

## AVERTISSEMENT

AVERTISSEMENT - POUR RÉDUIRE LE RISQUE D'INCENDIE DE GRAISSE SUR LE HAUT DE CUISINIÈRE:

- a) Ne laissez jamais les unités de surface sans surveillance à des réglages élevés. Les débordements provoquent de la fumée et des débordements graisseux qui peuvent s'enflammer. Chauffer les huiles lentement à des réglages faibles ou moyens.
- b) Allumez toujours la hotte lorsque vous cuisinez à feu vif ou lorsque vous flambez des aliments. (c'est-à-dire Crêpes Suzette, Cerises Jubilee, Boeuf au Poivre Flambé »).
- c) Nettoyez fréquemment les ventilateurs de ventilation. La graisse ne doit pas s'accumuler sur le ventilateur ou le filtre.
- d) Utilisez une taille de casserole appropriée. Utilisez toujours des ustensiles de cuisine adaptés à la taille de l'élément de surface.



## LISEZ ET CONSERVEZ CES INSTRUCTIONS



AVERTISSEMENT - POUR RÉDUIRE LE RISQUE DE BLESSURE DES PERSONNES EN CAS D'INCENDIE DE GRAISSE SUR LE HAUT DE LA CUISINIÈRE, RESPECTEZ CE QUI SUIT<sup>o</sup>:

a) DES FLAMMES PLUS INTELLIGENTES avec un couvercle bien ajusté, une plaque à biscuits ou un plateau en métal, puis éteignez le brûleur. FAITES ATTENTION À ÉVITER LES BRÛLURES. Si les flammes ne s'éteignent pas immédiatement, ÉVACUER ET APPELER LE DÉPARTEMENT DES INCENDIES.

b) NE JAMAIS RAMASSER UNE PLAQUE ENFLAMME - Vous pourriez être brûlé.

c) N'UTILISEZ PAS D'EAU, ni de torchons ou de serviettes humides - une violente explosion de vapeur en résultera.

d) Utilisez un extincteur UNIQUEMENT si:

- 1) Vous savez que vous possédez un extincteur de classe ABC et vous savez déjà comment l'utiliser.
- 2) Le feu est petit et contenu dans la zone où il a commencé.
- 3) Le service d'incendie est appelé.
- 4) Vous pouvez combattre le feu dos à une sortie

<sup>o</sup>Basé sur "Kitchen Firesafety Tips" publié par la NFPA.



AVERTISSEMENT  
POUR RÉDUIRE LES RISQUES D'INCENDIE, UTILISEZ  
UNIQUEMENT DES CONDUITS MÉTALLIQUES.



Pour réduire les risques d'incendie et pour évacuer correctement l'air extérieur, ne pas évacuer l'air évacué dans les espaces à l'intérieur des murs, plafonds, greniers, vides sanitaires ou garages.



AVERTISSEMENT - POUR RÉDUIRE LES RISQUES D'INCENDIE, DE DÉCHARGE ÉLECTRIQUE OU DE BLESSURES AUX PERSONNES, RESPECTEZ CE QUI SUIT:

a) Les travaux d'installation et le câblage électrique doivent être effectués par des personnes qualifiées conformément à tous les codes et normes applicables, y compris la construction résistant au feu.

b) Une quantité d'air suffisante est nécessaire pour une combustion et une évacuation correctes des gaz par le conduit de fumée (cheminée) de l'équipement à combustible pour empêcher le refoulement. Suivez les directives et les normes de sécurité du fabricant de l'équipement de chauffage, telles que celles publiées par la National Fire Protection Association (NFPA), l'American Society for Heating, Refrigeration and Air Conditioning Engineers (ASHRAE) et les autorités locales du code.

c) Lorsque vous coupez ou percez dans un mur ou un plafond, n'endommagez pas le câblage électrique et les autres services publics cachés.

d) Les ventilateurs à conduit doivent toujours être ventilés vers l'extérieur.

e) Si cet appareil doit être installé au-dessus d'une baignoire ou d'une douche, il doit être marqué comme approprié pour l'application et être connecté à un circuit de dérivation protégé par un disjoncteur de fuite à la terre (GFCI).



**Prop. 65 Avertissement pour les résidents de Californie:** Ce produit peut contenir des produits chimiques reconnus par l'État de Californie comme pouvant provoquer le cancer, des malformations congénitales ou d'autres troubles de la reproduction.

# Consignes de sécurité

## LISEZ ET CONSERVEZ CES INSTRUCTIONS

### Opération

- ▶ Laissez toujours les grilles de sécurité et les filtres en place. Sans ces composants, les soufflantes en fonctionnement pourraient s'accrocher aux cheveux, aux doigts et aux vêtements amples.
- ▶ Le fabricant décline toute responsabilité en cas de non-respect des instructions données ici pour l'installation, la maintenance et l'utilisation appropriée du produit. Le fabricant décline en outre toute responsabilité en cas de blessure due à une négligence et la garantie de l'unité expire automatiquement en raison d'un mauvais entretien.

**REMARQUE:** veuillez consulter [www.zephyronline.com](http://www.zephyronline.com) pour les révisions avant d'effectuer tout travail personnalisé.

### Exigences électriques

#### Important:

- ▶ Respectez tous les codes et ordonnances en vigueur.
- ▶ Il est de la responsabilité du client d'en prendre connaissance ci-dessous:
- ▶ Pour contacter un installateur électrique qualifié.
- ▶ Pour garantir que l'installation électrique est adéquate et conforme au National Electrical Code, ANSI / NFPA 70 dernière édition \* ou aux normes CSA C22.1-94, Code canadien de l'électricité, partie 1 et C22.2 No.0-M91 - dernière édition \*\* et tous les codes et ordonnances locaux.
- ▶ Si les codes le permettent et qu'un fil de terre séparé est utilisé, il est recommandé qu'un électricien qualifié détermine que le chemin de terre est adéquat.
- ▶ Ne pas mettre à la terre un tuyau de gaz.
- ▶ Vérifiez auprès d'un électricien qualifié si vous n'êtes pas sûr que la hotte est correctement mise à la terre.
- ▶ Ne pas avoir de fusible dans le circuit neutre ou de terre.
- ▶ Cet appareil nécessite une alimentation électrique de 120 V à 60 Hz et est connecté à un circuit de dérivation individuel correctement mis à la terre protégé par un disjoncteur de 15 ou 20 ampères ou un fusible temporisé. Le câblage doit être à 2 fils avec mise à la terre. Veuillez également vous référer au schéma électrique du produit.
- ▶ Un connecteur de verrouillage de câble (non fourni) peut également être requis par les codes locaux. Vérifiez les exigences locales, achetez et installez le connecteur approprié si nécessaire.

\* National Fire Protection Association Batterymarch Park, Quincy, Massachusetts 02269

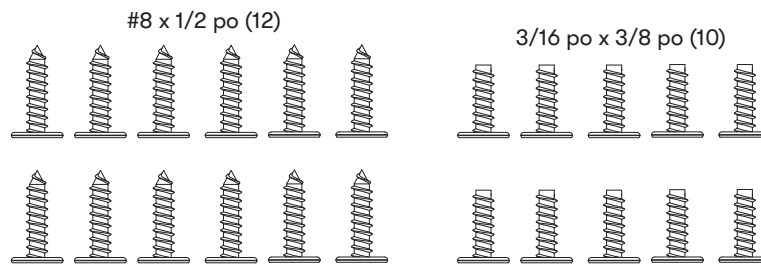
\*\* CSA International 8501 East Pleasant Valley Road, Cleveland, Ohio 44131-5575

### Déclaration d'interface de la Federal Communication Commission

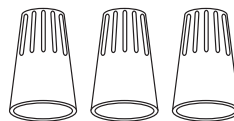
- ▶ Cet équipement a été testé et déclaré conforme aux limites d'un appareil numérique de classe B, conformément à la partie 15 des règles FCC. Ces limites sont conçues pour fournir une protection raisonnable contre les interférences nuisibles dans une installation résidentielle.
- ▶ Cet équipement génère, utilise et peut émettre de l'énergie radiofréquence et, s'il n'est pas installé et utilisé conformément aux instructions, peut provoquer des interférences nuisibles aux communications radio. Cependant, il n'y a aucune garantie que des interférences ne se produiront pas dans une installation particulière. Si cet équipement cause des interférences nuisibles à la réception de la radio ou de la télévision, ce qui peut être déterminé en éteignant et en rallumant l'équipement, l'utilisateur est encouragé à essayer de corriger les interférences par l'une des mesures suivantes:
- ▶ Réorientez ou déplacez l'antenne de réception.
- ▶ Augmentez la séparation entre l'équipement et le récepteur.
- ▶ Connectez l'équipement à une prise sur un circuit différent de celui sur lequel le récepteur est connecté.
- ▶ Consultez le revendeur ou un technicien radio / TV expérimenté pour obtenir de l'aide.

## Pièces fournies

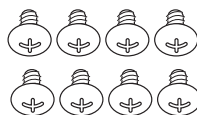
Quantité	Partie
1	Insérer le corps de la hotte
2	Filtres à chicane
3	Filtres à chicane (AK9446BS uniquement)
2	LumiLight LED, 6 W (pré-installé)
4	LumiLight LED, 6 W (préinstallé) (AK9446BS uniquement)
1	Moteur de soufflante simple (préinstallé)
1	Adaptateur rond de 8 po avec amortisseur
2	Supports de montage du ventilateur à conduit horizontal
1	Plaque de recouvrement rectangulaire supérieure
1	Pack matériel



Capucons de connexion (3)



M4 x 6mm (8)

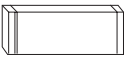

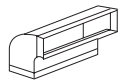








## Pièces non fournies

Conduits, conduits et tous les outils d'installation
Raccord de câble (si requis par les codes locaux)
Télécommande RF
Moteur à double soufflante

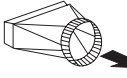
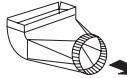
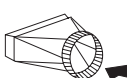
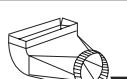
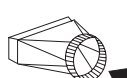
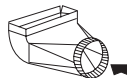
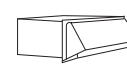
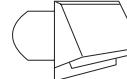

# Instructions d'installation

## Feuille de calcul pour le conduit d'aération

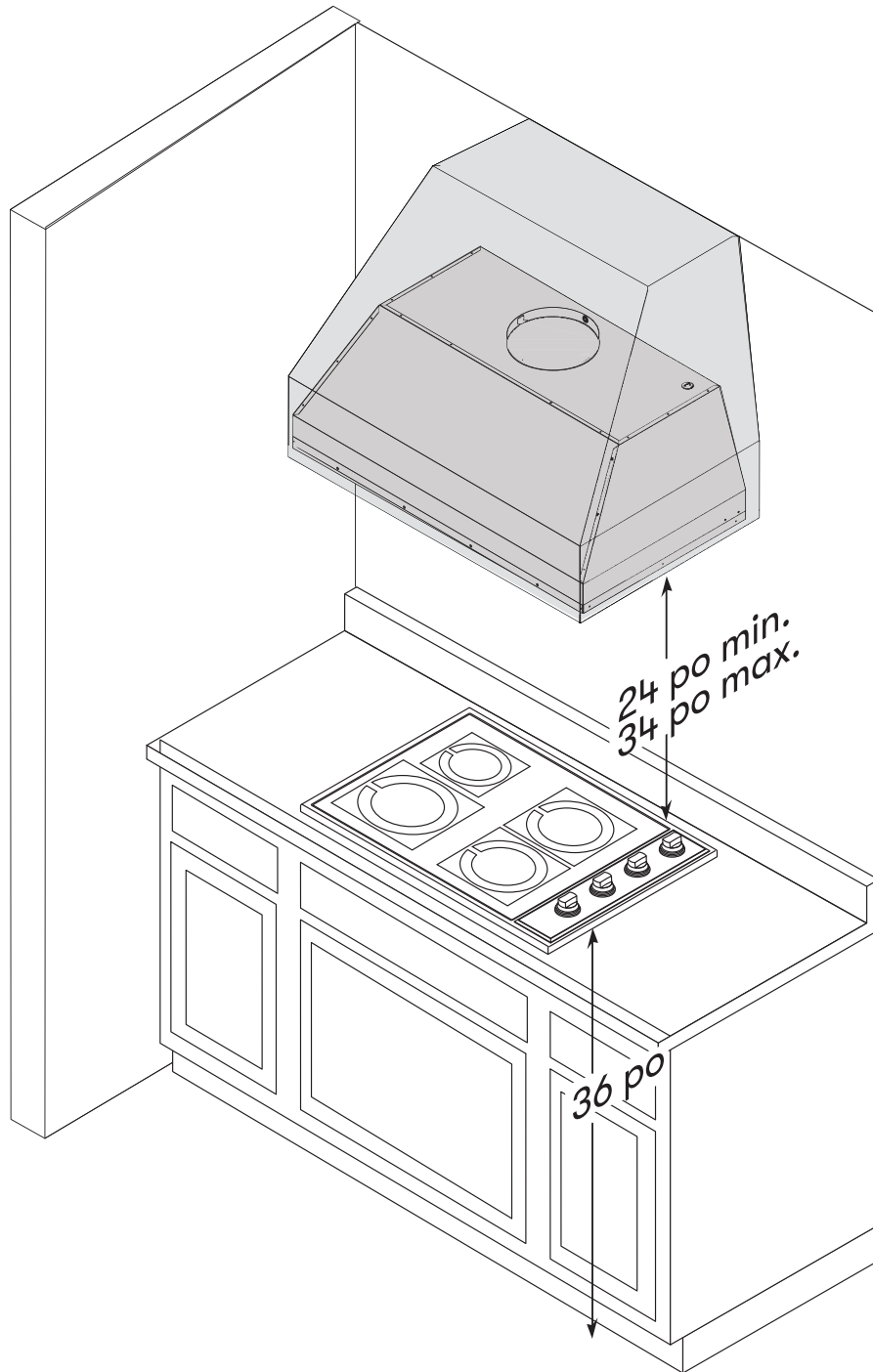
Pièces de conduit		Longueur x	Nombre utilisé	=	Total
	3-1/4" x 10" rect., droit	1 pi	x ( ) =		pi
	6", 7", 8", 10" circ., droit	1 pi	x ( ) =		pi
	3-1/4" x 10" rect., coude à 90°	15 pi	x ( ) =		pi
	3-1/4" x 10" rect., coude à 45°	9 pi	x ( ) =		pi
	3-1/4" x 10" rect., coude plat à 90°	24 pi	x ( ) =		pi
	7" to 6" or 8" to 7" circ. reducteur conique	25 pi	x ( ) =		pi
	6", 7", 8" circ. bouchone de l'air	15 pi	x ( ) =		pi
	6", 7", 8", 10" circ., coude à 90°	15 pi	x ( ) =		pi
	6", 7", 8", 10" coude à 45°	9 pi	x ( ) =		pi
Sous-total - colonne 1 =					pi

### Longueur maximale du conduit d'aération :

Pour un mouvement d'air convenable, la longueur totale d'un conduit d'aération ne devrait pas compter plus que l'équivalent de 150 pieds.

Pièces de conduit		Longueur x	Nombre utilisé	=	Total
	6" circ. à rect. de 3-1/4" x 10"	5 pi	x ( ) =		pi
	6" circ. à rect. de 3-1/4" x 10", coude à 90°	20 pi	x ( ) =		pi
	6" circ. à rect. de 3-1/4" x 10"	1 pi	x ( ) =		pi
	6" circ. à rect. de 3-1/4" x 10", coude à 90°	16 pi	x ( ) =		pi
	7" circ. à rect. de 3-1/4" x 10"	8 pi	x ( ) =		pi
	7" circ. à rect. de 3-1/4" x 10", coude à 90°	23 pi	x ( ) =		pi
	3-1/4" x 10" embout mural rect./registre	30 pi	x ( ) =		pi
	6", 7", 8", 10" embout mural circ./registre	30 pi	x ( ) =		pi
	6", 7", 8", 10" chapeau de toiture circ.	30 pi	x ( ) =		pi
Sous-total - colonne 2 =					pi
Sous-total - colonne 1 =					pi
Total du conduit =					pi

## Hauteur de montage, dégagement et gaine



# Instructions d'installation

## Hauteur de montage, dégagement et gaine

Un conduit d'au moins 8 po rond ou 10 po rond pour les conduits verticaux doit être utilisé pour maintenir une efficacité maximale du débit d'air. Un conduit rond de 8 po peut être utilisé pour les conduits horizontaux.

Utilisez toujours des conduits métalliques de type rigide uniquement. Les conduits flexibles peuvent restreindre le débit d'air jusqu'à 50%.

Utilisez également le calcul (à la page 11) pour calculer la longueur totale de conduit disponible lorsque vous utilisez des coudes, des transitions et des capuchons.

**TOUJOURS**, lorsque cela est possible, réduire le nombre de transitions et de virages. Si un long trajet de conduit est nécessaire, augmentez la taille du conduit.

Si des virages ou des transitions sont nécessaires; installer le plus loin possible de la sortie du conduit de la hotte et aussi loin que possible entre les deux.

La hauteur de montage minimale entre le haut de la cuisinière et le bas de la hotte ne doit pas être inférieure à 24 po.

La hauteur de montage maximale ne doit pas dépasser 34 po.


Il est important d'installer la hotte à la bonne hauteur de montage. Les hottes montées trop bas peuvent entraîner des dommages causés par la chaleur et un risque d'incendie; tandis que les hottes montées trop haut seront difficiles à atteindre et perdront leurs performances et leur efficacité.

Si disponible, reportez-vous également aux exigences de dégagement en hauteur du fabricant de la cuisinière et à la hauteur de montage recommandée de la hotte au-dessus de la cuisinière.


### Pour les dommages liés à l'expédition et à l'installation:

- ▶ Veuillez inspecter complètement l'unité pour déceler tout dommage avant l'installation. Si l'appareil est endommagé lors de l'expédition, renvoyez-le au magasin où il a été acheté pour réparation ou remplacement.
- ▶ Si l'appareil est endommagé par le client, la réparation ou le remplacement est à la charge du client.
- ▶ Si l'unité est endommagée par l'installateur (si autre que le client), la réparation ou le remplacement doit être effectuée par arrangement entre le client et l'installateur.

## Options de conduits

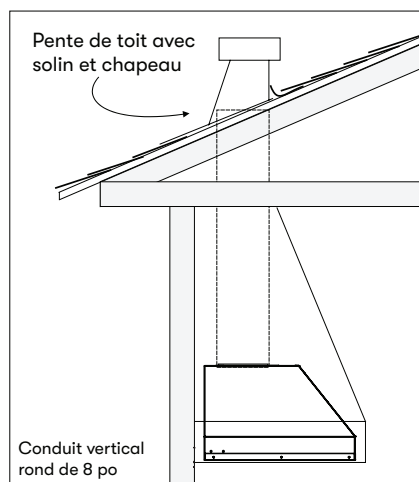
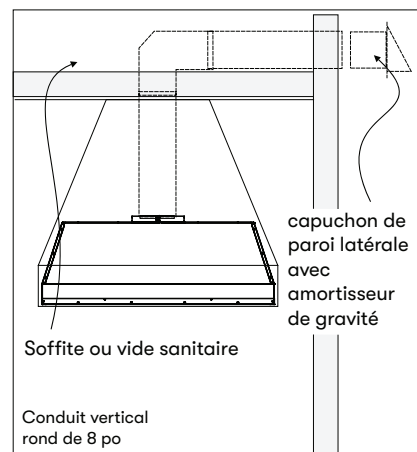
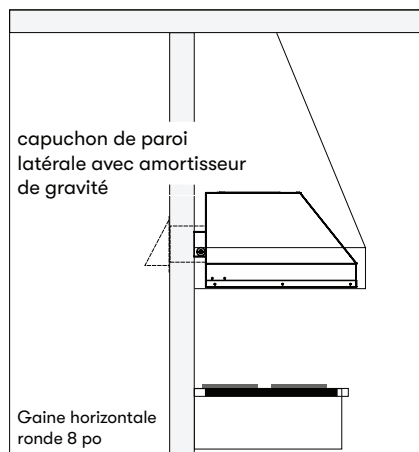


# ATTENTION



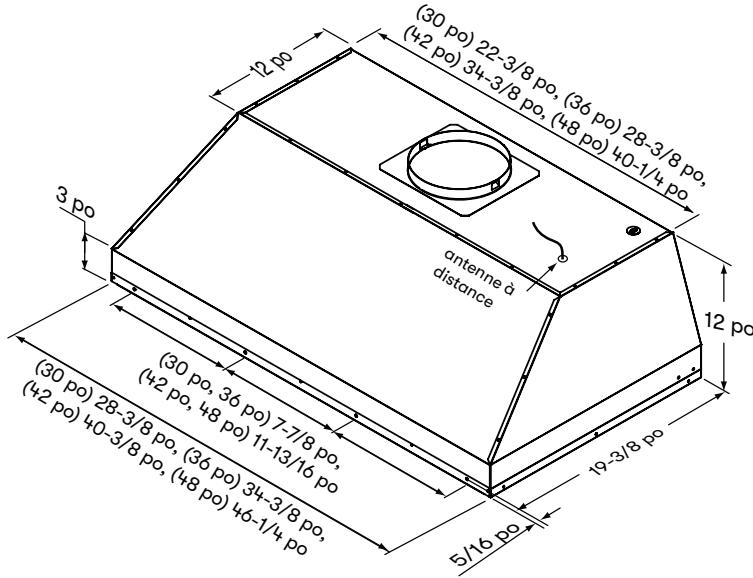
**Risque d'incendie:** NE JAMAIS évacuer l'air ni terminer de conduits dans des espaces entre les murs, les vides sanitaires, les plafonds, les greniers ou les garages. Tout l'échappement doit être canalisé vers l'extérieur, à moins d'utiliser l'option de recirculation.

- ▶ Utilisez uniquement des conduits métalliques rigides à paroi simple.
- ▶ Fixez toutes les connexions avec des vis à tôle et collez tous les joints avec du ruban argenté ou du ruban adhésif.

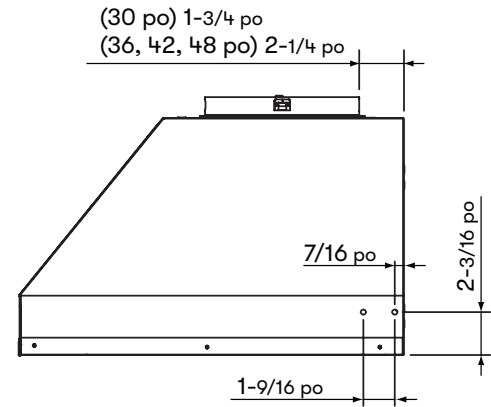


# Instructions d'installation

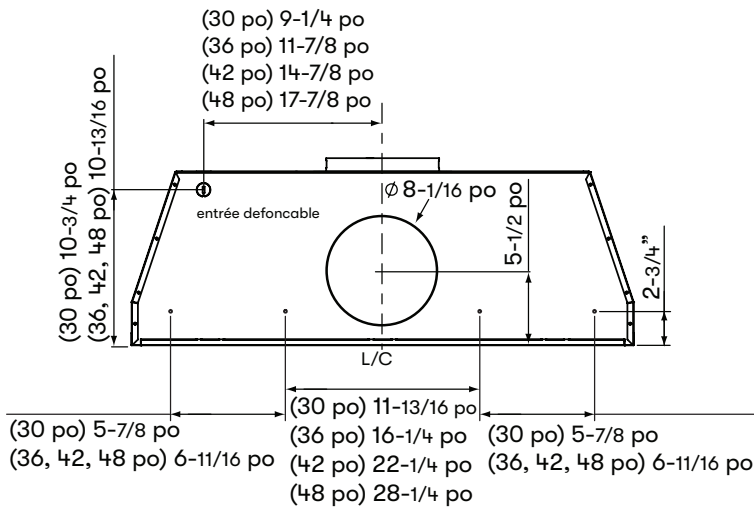
## Spécifications de la hotte



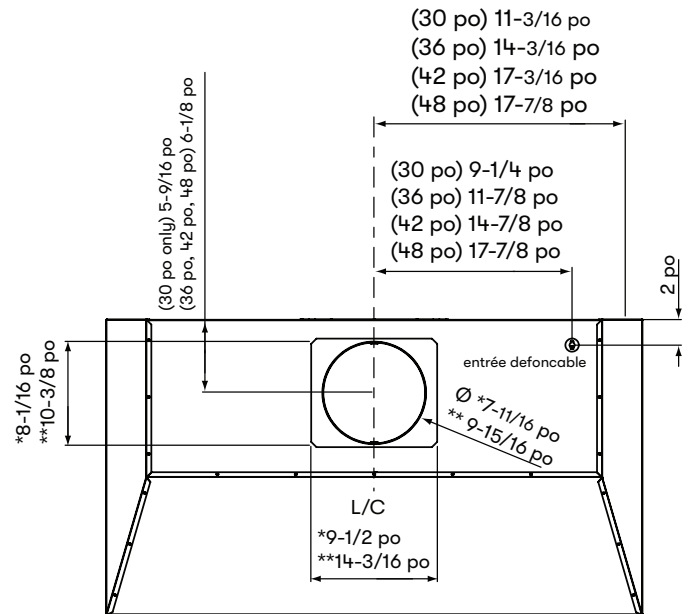
Vue 3/4



Vue de côté



Vue arrière



Vue de dessus

- \* 8 po conduit rond
- \*\* 10 po conduit rond



## Fourniture électrique

**ATTENTION**

Le câblage électrique doit être effectué par des personnes qualifiées conformément à tous les codes et normes applicables.  
Cette hotte doit être correctement mise à la terre. Coupez l'alimentation électrique à l'entrée de service avant le câblage.

Pour votre sécurité personnelle, retirez le fusible de la maison ou ouvrez le disjoncteur avant de commencer l'installation. N'utilisez pas de rallonge ni de fiche d'adaptateur avec cet appareil.

**Suivez les codes électriques nationaux ou les codes et règlements locaux en vigueur.**

Cet appareil nécessite une alimentation électrique de 120 V 60 Hz et est connecté à un circuit de dérivation individuel correctement mis à la terre, protégé par un disjoncteur de 15 ou 20 ampères ou un fusible temporisé. Le câblage doit être à 2 fils avec terre. Veuillez également vous référer au schéma électrique étiqueté sur le produit.

## Raccord de câble

Un connecteur de verrouillage de câble (non fourni) peut être requis par les codes locaux. Vérifiez les exigences et les codes locaux, achetez et installez le connecteur approprié si nécessaire. (FIG. A)

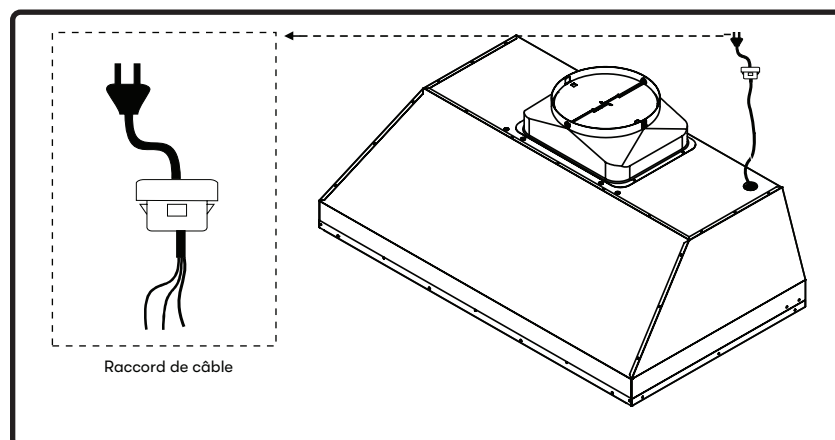


FIG. A

# Instructions d'installation

## Préparation et installation



### AVERTISSEMENT



Au moins deux installateurs sont nécessaires en raison du poids et de la taille de la hotte.

1. Retirez tous les matériaux d'emballage et le film protecteur avant l'installation. Soyez prudent lors de l'installation pour éviter les rayures ou les dommages à l'acier inoxydable. Retirez la vis de sécurité sur le dessus du corps de la hotte.
2. Découpez une ouverture dans le bas de l'armoire en suivant les dimensions de la FIG. B.
3. Préparez la hotte pour l'installation dans l'armoire en suivant les étapes à la page 15-16 pour les conduits verticaux et 17-19 pour les conduits horizontaux et 20-22 pour l'installation à deux ventilateurs, si désiré.
4. Soulevez la hotte dans l'ouverture inférieure de l'armoire et fixez-la à l'intérieur de l'armoire à l'aide de (8) vis en acier inoxydable n°8 x 1/2 po; (4) vis à l'avant et (4) vis sur les côtés. FIG. C.

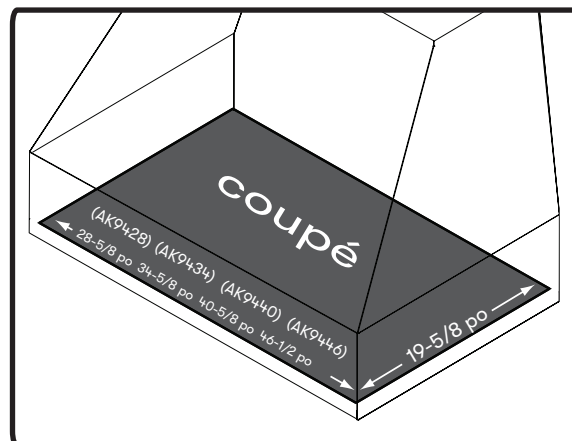


FIG. B

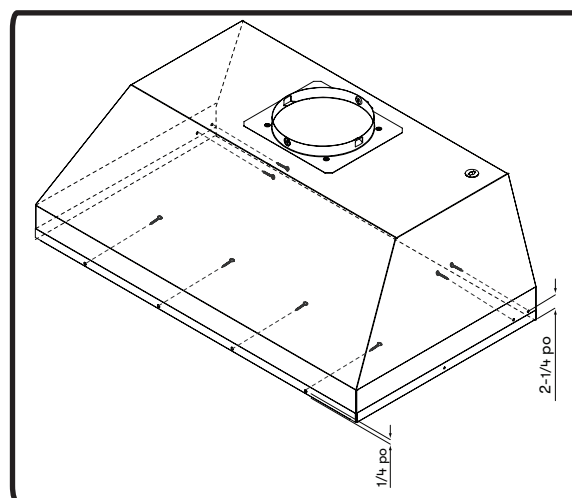


FIG. C



### ATTENTION



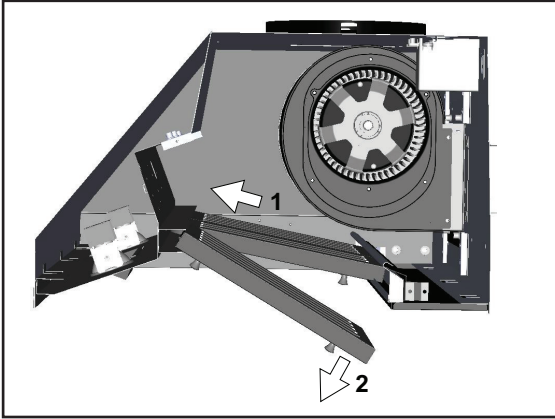
Assurez-vous que la surface sur laquelle vous fixez la doublure est capable de supporter le poids de l'AK94. Le non-respect de cette consigne peut entraîner des blessures corporelles ou endommager la surface de cuisson ou le comptoir.

5. Si vous utilisez une télécommande RF, retirez le panneau lumineux à l'aide de (5) vis et étendez le fil d'antenne bleu. Il n'est pas nécessaire de le sécuriser. Réinstaller le panneau lumineux.
6. Finaliser l'installation des travaux d'électricité et de conduits. Sceller les conduits avec du ruban adhésif en aluminium certifié. Mettez la doublure sous tension, vérifiez s'il y a des fuites autour du ruban adhésif et vérifiez son bon fonctionnement.

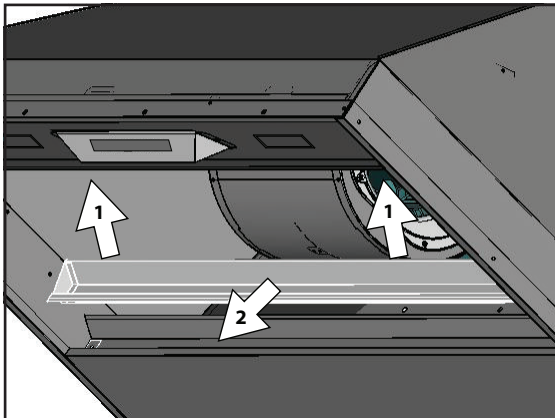
**REMARQUE:** Si l'accès au dessus de la gaine n'est pas disponible après l'installation, il se peut que le raccordement électrique et des conduits doive être effectué avant d'installer la hotte.

7. Réinstallez le panneau inférieur, les panneaux d'entretoise latéraux (le cas échéant), le bac à graisse et les filtres déflecteurs précédemment retirés.

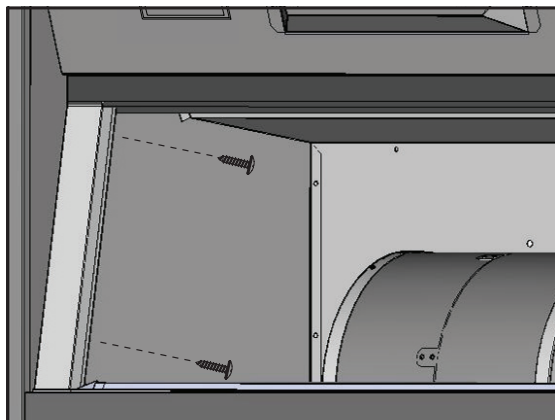
## Préparation et installation



1. Retirez les filtres défecteurs en:  
1) Tirant le filtre vers l'avant de la doublure. 2) Pivotement de l'arrière du filtre vers le bas.



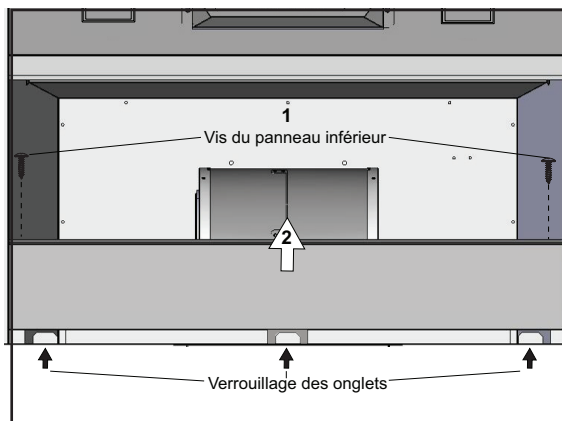
2. Retirez le plateau à graisse en:  
1) Tirant sur le plateau pour le dégager du panneau inférieur. 2) Soulever le plateau hors du corps de la doublure.



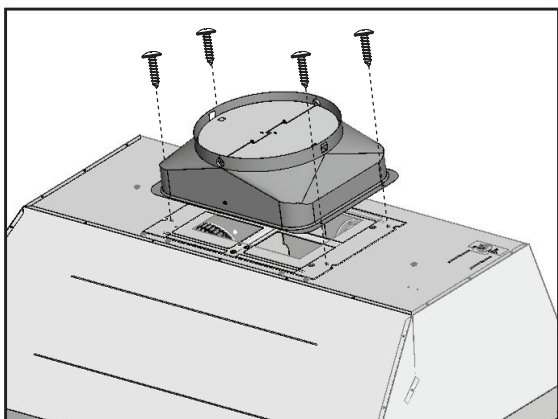
3. Retirez les panneaux d'entretoise latéraux gauche et droit en retirant les (2) vis derrière chaque panneau.

# Instructions d'installation

## Préparation et installation



4. Retirez le panneau inférieur en:
- 1) Retirez les (2) vis des côtés gauche et droit du panneau inférieur.
  - 2) Tirez le panneau inférieur vers l'avant de la doublure pour le dégager des languettes de verrouillage.

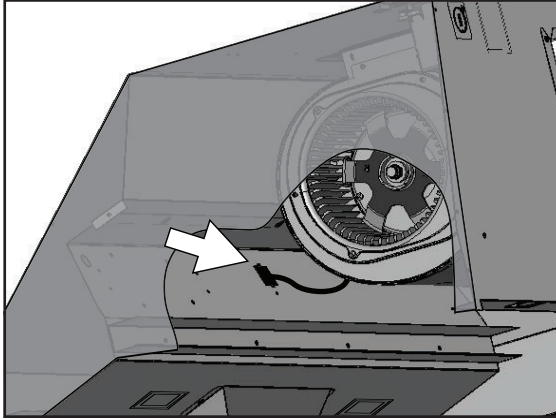


5. Fixez le collier de conduit rond de 8 po ou 10 po au sommet de l'insert à l'aide de (4) vis M4 x 6 mm.

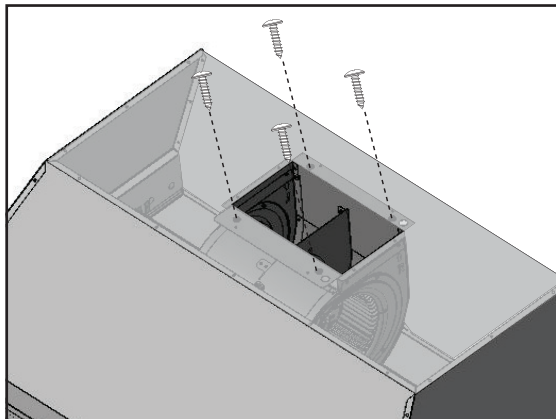


6. La préparation des conduits verticaux est terminée. Reportez-vous à la page 14, étape 4 pour terminer l'installation.

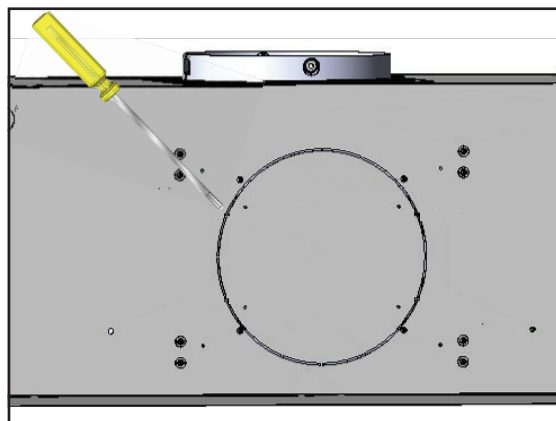
## Préparation des conduits horizontaux



1. Suivez les étapes 1 à 4 des pages 15 et 16. Retirez le bouchon molex du ventilateur.



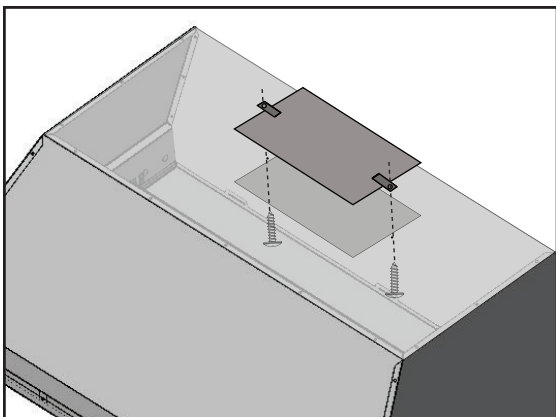
2. Retirez le ventilateur de la gaine en retirant les (4) vis 3/16" x 3/8" du haut de la gaine. Mettez les vis de côté pour une utilisation ultérieure.



3. À l'aide d'un tournevis à tête plate, retirez le rond de 8" ou 3 1/4" x 10" rect. plaques à défoncer à l'arrière de la doublure.

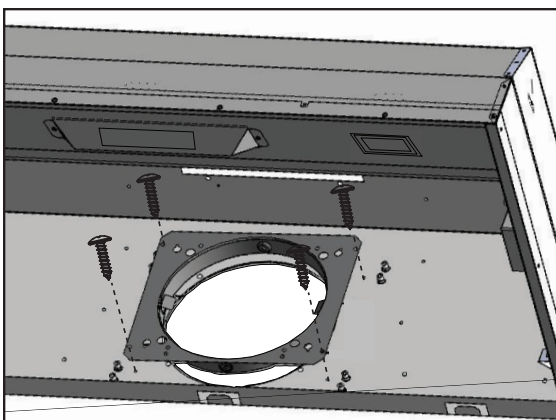
# Instructions d'installation

## Préparation des conduits horizontaux

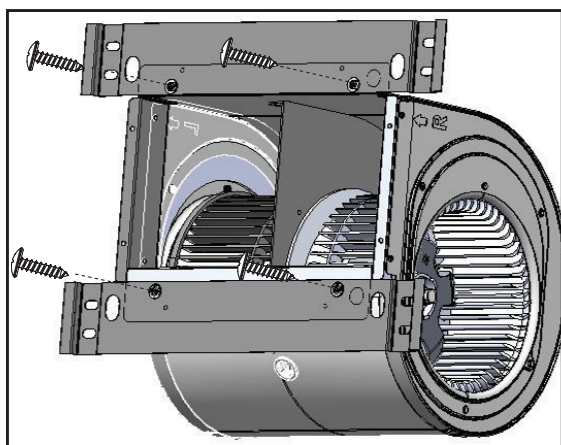


- Placez la plaque de recouvrement rectangulaire supérieure sur l'ouverture au-dessus de la doublure. REMARQUE: assurez-vous que les languettes de la plaque de recouvrement se trouvent sur le dessus de la plaque de recouvrement, comme illustré. De l'intérieur de la doublure, fixez la plaque au dessus de la doublure avec (2) vis 3/16 x 3/8.

À ce stade, installez la doublure dans l'armoire en suivant les étapes de la page 14, étape 4. Après l'installation de la doublure, continuez à la page 18.

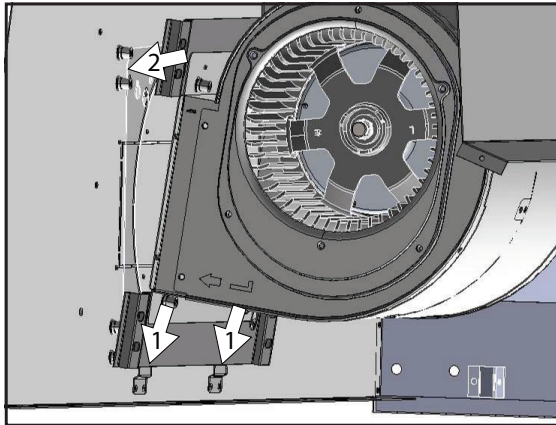


- Depuis l'intérieur de la gaine, poussez l'adaptateur rond de 8 po à travers la découpe arrière et fixez à la paroi arrière intérieure de la gaine avec (4) vis M4 x 6 mm.

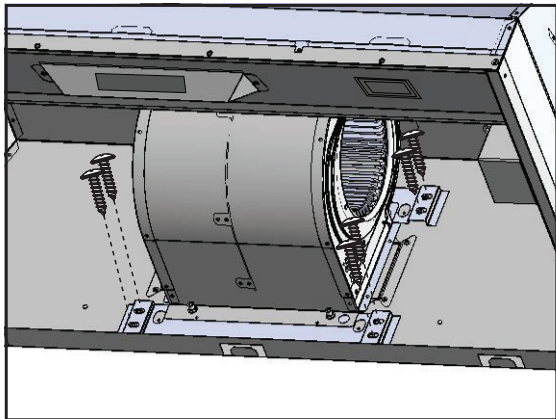


- Fixez les (2) supports horizontaux du ventilateur de conduit au ventilateur comme indiqué ci-dessus en utilisant les (4) vis 3/16 "x 3/8" précédemment retirées de la page 17, étape 2; (2) vis pour chaque support.

## Préparation des conduits horizontaux



7. Positionnez le ventilateur à l'intérieur du corps de la gaine comme indiqué par: 1) Posez le support de conduit horizontal inférieur sur les deux clips de support situés sur la paroi arrière intérieure de la gaine. 2) Faites pivoter le support de conduit horizontal supérieur pour qu'il rencontre les écrous captifs sur la paroi arrière intérieure.



8. Fixez le ventilateur aux écrous captifs sur la paroi arrière intérieure du revêtement avec (8) vis 3/16" x 3/8", (4) vis pour chaque support. Scellez tous les espaces autour de la plaque d'éjection à l'aide de ruban adhésif en aluminium certifié. Branchez la prise moxex du ventilateur.

La préparation des conduits horizontaux est maintenant terminée. Reportez-vous à la page 14, étape 5 pour terminer l'installation.

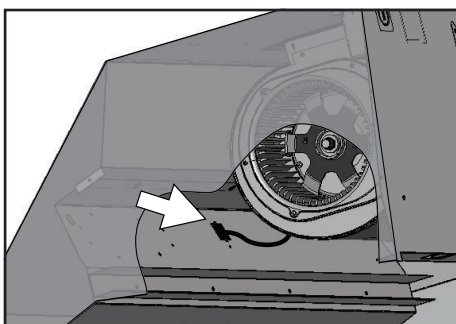


# Instructions d'installation

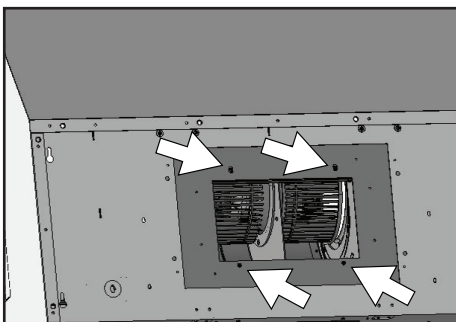
## Installation de deux ventilateurs PBD-1300B

Cette hotte de cuisinière est équipée de série d'une option de conduit vertical à un seul ventilateur. Pour passer d'un conduit vertical à une seule soufflante à un conduit vertical à double soufflante, veuillez suivre les instructions ci-dessous.

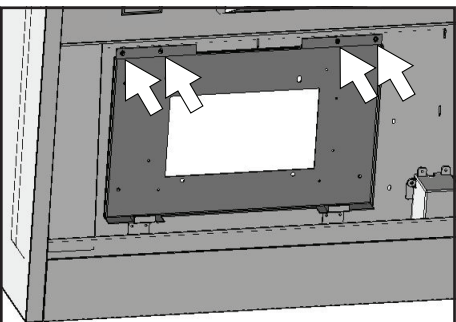
Kit double soufflante PBD-1300B compatible uniquement avec AK9434BS, AK9440BS, ou AK9446BS.



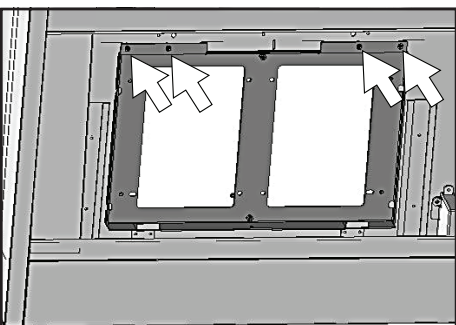
1. Retirez les filtres déflecteurs et, le cas échéant, retirez les panneaux latéraux. Débranchez la fiche du ventilateur.



2. Retirez les (4) vis en haut du corps de la hotte fixant le ventilateur à la plaque du ventilateur. Retirez le ventilateur de l'intérieur du corps de la hotte.

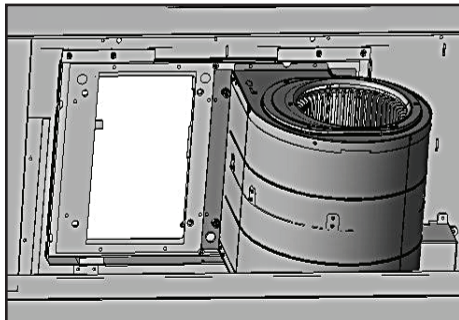


3. Retirez les (4) vis de l'intérieur du corps de la hotte fixant la plaque du ventilateur au corps de la hotte. Retirez la plaque du ventilateur.

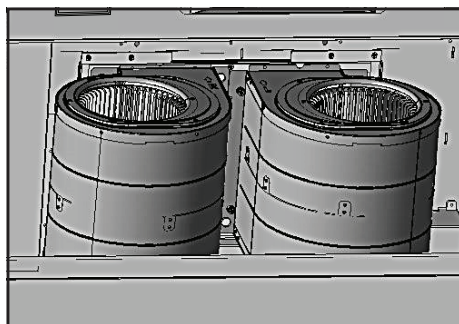


4. Installez la plaque de ventilateur double du kit PBD-1300B dans le corps de la hotte. Fixez avec (4) vis précédemment retirées de l'étape 3.

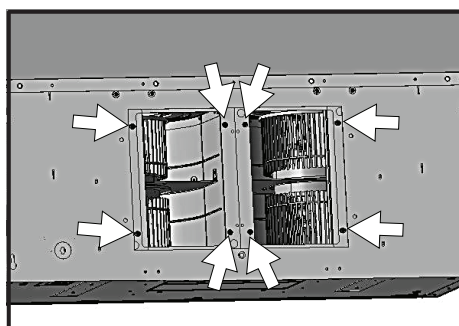


**Installation de deux ventilateurs PBD-1300B**

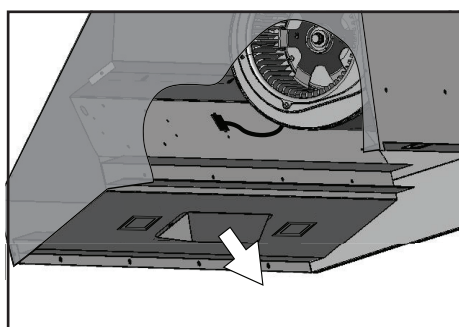
5. Installez le ventilateur précédemment retiré sur un côté de la plaque de ventilateur double et fixez-le à l'aide des (4) vis précédemment retirées de l'étape 2.



6. Installez le ventilateur du kit PBD-1300B sur l'autre côté de la plaque de ventilateur double à l'aide de (4) vis 3/16 x 3/8.



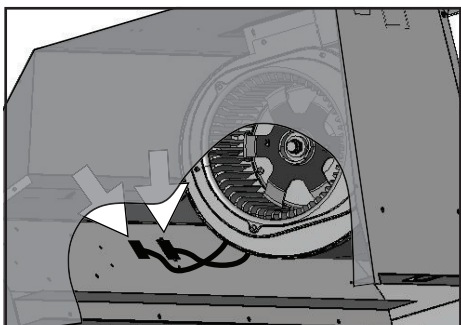
7. Emplacements de montage de deux vis de ventilateur.



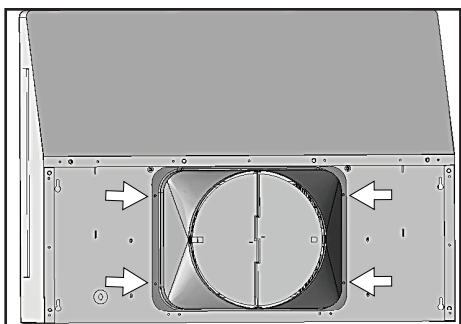
8. Retirez les (5) vis pour retirer le panneau lumineux. Installez le circuit imprimé du double ventilateur à l'intérieur du corps de la hotte.

# Instructions d'installation

## Installation de deux ventilateurs PBD-1300B



9. Reportez-vous à la section page 36-37 pour cette étape. Connectez le câblage du double ventilateur, y compris les deux fiches du ventilateur, le connecteur à 6 broches du câble du ventilateur (E), le câble du commutateur du ventilateur double (H), le cordon d'alimentation noir à une broche du double ventilateur (K) et le cordon d'alimentation blanc à une broche (F) au PCB double ventilateur.

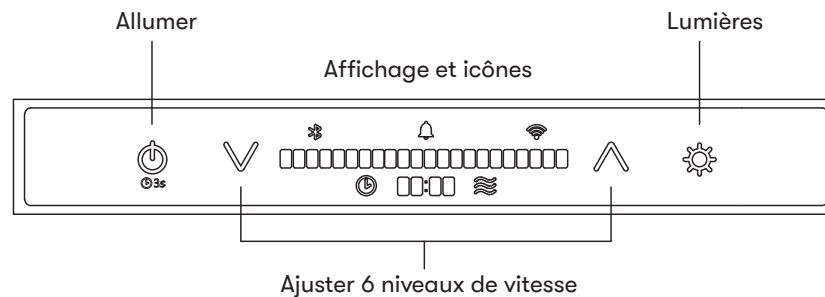


10. Placez l'adaptateur rond de 10 po (inclus avec le PBD-1300B) sur le dessus de la hotte et fixez-le avec (4) vis M3,5 x 8.

**REMARQUE:** Pour fixer l'adaptateur de transition de 10 po au haut de la hotte, une découpe de 14-1/2 po de largeur x 10-1/2 po de profondeur devra être faite dans le bas de l'armoire.

Si les dimensions internes de l'armoire empêchent cette taille de découpe, alors l'adaptateur de transition de 10 pouces peut être monté sur le bas de l'armoire plutôt que sur le haut de la hotte. Les dimensions de la découpe pour ce type d'installation sont de 13-1/4 po de largeur x 6-1/4 po de profondeur.

## Contrôles de proximité



### CAPTEUR DE PROXIMITÉ

- ▶ Lorsque vous vous approchez de la hotte lorsqu'elle est hors tension, les icônes d'alimentation, de diminution du ventilateur, d'augmentation du ventilateur et d'éclairage s'allument et «BONJOUR» apparaît sur l'écran LCD pendant 2 secondes.
- ▶ Les icônes restent allumées pendant que le capteur de proximité détecte quelqu'un près de la hotte. Si personne ne se trouve à proximité de la hotte et que ni le ventilateur ni les lumières ne sont allumés, les icônes s'éteindront après 60 secondes et «GOODBYE» apparaîtra sur l'écran LCD pendant 2 secondes.
  - ▶ Les icônes ne disparaîtront pas tant que le ventilateur et les lumières ne seront pas éteints.

### ICÔNES DE CONTRÔLE

#### Allumer

- ▶ Appuyez sur l'icône d'alimentation pour allumer ou éteindre le ventilateur et les lumières.
- ▶ La hotte a une fonction de mémoire pour mémoriser les derniers réglages utilisés pour le ventilateur et les lumières.
- ▶ Après avoir appuyé sur l'icône d'alimentation pour éteindre la hotte, «GOODBYE» apparaîtra sur l'écran LCD pendant 2 secondes.
  - ▶ L'icône 3s sous l'icône d'alimentation ne s'allume que lorsque le ventilateur est sous tension. Il s'agit d'un indicateur permettant d'activer le délai d'arrêt automatique en appuyant sur le bouton d'alimentation et en le maintenant enfoncé pendant 3 secondes.

#### Diminuer la vitesse du ventilateur

- ▶ Appuyez sur l'icône pour diminuer la vitesse du ventilateur de 6, 5, 4, 3, 2, 1, arrêt.

#### Augmenter la vitesse du ventilateur

- ▶ Appuyez sur l'icône pour augmenter la vitesse du ventilateur de OFF, 1, 2, 3, 4, 5, 6.

# Fonctionnalités et commandes

## Contrôles de proximité

### Lumières

- ▶ Appuyez sur l'icône des lumières pour changer le niveau d'éclairage de 1, 2, 3, désactivé.

### AFFICHER ICÔNES et FONCTIONS

### Cloche de notification

- ▶ L'icône de la cloche de notification s'allumera lorsqu'une action doit être entreprise. Appuyez sur l'icône pour parcourir les notifications. La cloche de notification restera allumée jusqu'à ce que toutes les notifications soient résolues. La cloche de notification ne s'allume pas lorsque le capot et les commandes sont hors tension.


### Bluetooth®

- ▶ L'icône Bluetooth® illumine l'appareil lorsqu'il est connecté à la hotte via Bluetooth®. Les mots «BLUETOOTH CONNECTED» ou «BLUETOOTH DISCONNECT» apparaissent sur l'écran LCD chaque fois que la connexion change.



### Wi-Fi

- ▶ L'icône Wi-Fi s'allume lorsque la hotte est connectée au Wi-Fi. Les mots «WIFI CONNECTED» ou «WIFI DISCONNECTED» apparaîtront sur l'écran LCD chaque fois que la connexion change, ce qui sera géré via l'application Zephyr Connect.

### Retard automatique désactivé

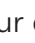
- ▶ Pendant que le ventilateur est en marche, maintenez enfoncé  pendant 3 secondes pour activer la minuterie d'extinction. Le ventilateur passera à la vitesse 1, l'affichage de la minuterie s'allumera, l'écran LCD affichera «AUTOMATIC DELAY OFF» et la minuterie commencera à compter à rebours à partir de 10 minutes. Une fois que la minuterie atteint 0, le ventilateur et les lumières s'éteignent.
- ▶ La minuterie de la fonction d'arrêt automatique du délai commence à 10 minutes par défaut. L'application Zephyr Connect fournit les options pendant 5 ou 10 minutes.

### L'air pur

- ▶ Lorsque le ventilateur est éteint, appuyez simultanément sur  et  pendant 3 secondes pour activer ou désactiver la fonction CleanAir. L'écran LCD affichera «CLEAN AIR ENABLED» ou «CLEAN AIR DISABLED».
- ▶ Lorsqu'il est activé, le ventilateur se met en marche à la vitesse 1 toutes les 4 heures pendant 10 minutes. Pendant que le ventilateur fonctionne, l'écran LCD affichera «CLEAN AIR ACTIVE» et l'icône CleanAir s'allumera.

## Contrôles de proximité



### Vérification ACT™

- ▶ La technologie de contrôle du flux d'air (ACT™) permet à l'installateur de régler le CFM maximum du ventilateur pour s'aligner sur les codes et réglementations locaux. Lorsque le ventilateur est éteint, appuyez et maintenez  pendant 3 secondes pour afficher l'état ACT™.
- ▶ ACT 290 = 3 vitesses, ACT 390 = 4 vitesses, ACT 590 = 5 vitesses.


### Rappel de nettoyage du filtre à graisse

- ▶ Après 60 heures d'utilisation du ventilateur, l'icône de la cloche de notification s'allumera. Lorsque vous appuyez sur la cloche, l'écran LCD alterne entre l'affichage de «CLEAN GREASE FILTER» et de «HOLD DOWN TO RESET» toutes les 2 secondes. Si aucune action n'est entreprise pendant 30 secondes, l'écran s'éteint et l'icône de la cloche de notification reste allumée.
  - ▶ Pour maintenir et réinitialiser, appuyez et maintenez le bouton de diminution du ventilateur pendant 3 secondes pour réinitialiser. L'application Zephyr Connect offre la possibilité de réinitialiser le rappel.

### Mode de recirculation - Rappel de remplacement du filtre à charbon

- ▶ Maintenez  et  pendant 3 secondes pour activer ou désactiver le mode de recirculation qui vous rappellera de remplacer le filtre à charbon. L'écran LCD affichera «RECIRCULATING ENABLED» pour activer et «RECIRCULATING DISABLE» pour désactiver pendant 2 secondes.
- ▶ Après 200 heures d'utilisation du ventilateur, l'icône de la cloche de notification s'allumera. Lorsque vous appuyez sur la cloche, l'écran LCD alterne entre l'affichage de «REPLACE CHARCOAL FLTR» et «HOLD UP TO RESET» toutes les 2 secondes. Si aucune action n'est entreprise pendant 30 secondes, l'écran s'éteint et la cloche de notification reste allumée.
  - ▶ Pour maintenir et réinitialiser, appuyez sur le bouton d'augmentation du ventilateur et maintenez-le enfoncé pendant 3 secondes pour réinitialiser. L'application Zephyr Connect offre la possibilité de réinitialiser le rappel.

### Mode de couplage de la télécommande

- ▶ Maintenez  pendant 3 secondes pour activer le mode de couplage de la télécommande. Une fois le mode d'appairage activé, l'écran LCD allumera «REMOTE PAIRING». Appuyez sur un bouton de la télécommande pour la synchroniser avec la hotte.

# Fonctionnalités et commandes

## Zephyr Connect

Votre hotte de cuisine est compatible avec notre application Zephyr Connect. Tout ce dont vous avez besoin est une connexion WiFi avec accès à Internet qui peut atteindre l'emplacement de votre hotte. Zephyr Connect vous permet de contrôler votre hotte de cuisine de n'importe où à l'aide d'un appareil mobile ou de votre enceinte intelligente Amazon Alexa ou Google Home. Zephyr Connect comprend également des diagnostics en temps réel et vous fournit des informations importantes sur le produit.

L'application Zephyr Connect est disponible sur les appareils iOS utilisant iOS 11.0 ou version ultérieure ou les appareils Android utilisant la version Android 8 ou ultérieure. Visitez l'Apple App Store ou le Google Play Store pour plus d'informations.

Si votre hotte n'est pas connectée au WiFi, la fonctionnalité fonctionnera de la même manière qu'une hotte de cuisine classique sans connectivité WiFi.

Veuillez consulter le guide de démarrage rapide Zephyr Connect inclus pour plus d'informations.

Si vous avez connecté votre hotte à des enceintes intelligentes Amazon Alexa ou Google Home, vous disposez désormais de capacités de commande vocale. La liste des commandes pour Amazon Alexa et Google Home se trouve sur la page suivante.

**REMARQUE:** Amazon Alexa et Google Home ne prennent pas en charge les commandes vocales en français.



## Zephyr Connect

Type de contrôle	Commandes vocales Amazon Alexa	La description
Puissance	Alexa, turn on [Hood Name]	Allumez la hotte
	Alexa, turn off [Hood Name]	Coupez l'alimentation de la hotte
Ventilateur	Alexa, increase [Hood Name] Fan Speed	Augmenter la vitesse du ventilateur sur la hotte
	Alexa, decrease [Hood Name] Fan Speed	Diminuez la vitesse du ventilateur sur la hotte
	Alexa, set [Hood Name] Fan Speed to [1-6]	Réglez la hotte à une vitesse de ventilateur spécifique
	Alexa, set [Hood Name] Fan Speed to Maximum	Réglez la vitesse du ventilateur à 6 sur la hotte
	Alexa, set [Hood Name] Fan Speed to Minimum	Réglez la vitesse du ventilateur sur 1 sur la hotte
Lumière	Alexa, turn on [Hood Name] Light	Allumez la lumière sur la hotte
	Alexa, turn off [Hood Name] Light	Éteignez la lumière de la hotte
	Alexa, increase [Hood Name] Light(s)	Augmenter le niveau d'éclairage sur la hotte
	Alexa, decrease [Hood Name] Light(s)	Diminuer le niveau d'éclairage sur la hotte
	Alexa, set [Hood Name] Light(s) to High	Réglez le niveau d'éclairage sur Élevé sur la hotte
	Alexa, set [Hood Name] Light(s) to Bright	Réglez le niveau d'éclairage sur Élevé sur la hotte
	Alexa, set [Hood Name] Light(s) to Low	Réglez le niveau d'éclairage sur Faible sur la hotte
Alexa, set [Hood Name] Light(s) to Dim	Réglez le niveau d'éclairage sur Faible sur la hotte	
Délai d'arrêt	Alexa, set delay time to 1 minute on [Hood Name]	Activer le temporisateur de 1 à 10 minutes. Après 1 à 10 minutes, la hotte sera mise hors tension.
	Alexa, set delay time to 2-10 minutes on [Hood Name]	Activer le temporisateur de 1 à 10 minutes. Après 1 à 10 minutes, la hotte sera mise hors tension.
	Alexa, [Start/Enable] [Hood Name] Delay Off Timer	Activer la minuterie d'arrêt pendant 10 minutes. Après 10 minutes, la hotte s'éteint.
	Alexa, [Stop/Disable] [Hood Name] Delay Off Timer	Désactiver le temporisateur d'arrêt

Type de contrôle	Commande vocale Google Home	La description
Puissance	Hey Google, turn on [Hood Name]	Allumez la hotte
	Hey Google, turn off [Hood Name]	Coupez l'alimentation de la hotte
Ventilateur	Hey Google, increase [Hood Name] speed	Augmenter la vitesse du ventilateur sur la hotte
	Hey Google, decrease [Hood Name] speed	Diminuez la vitesse du ventilateur sur la hotte
	Hey Google, set [Hood Name] to speed [1-6]	Réglez la hotte à une vitesse de ventilateur spécifique
	Hey Google, set [Hood Name] to maximum speed	Réglez la vitesse du ventilateur au maximum sur la hotte
	Hey Google, set [Hood Name] to minimum speed	Réglez la vitesse du ventilateur au minimum sur la hotte
Lumière	Hey Google, turn on [Hood Name] light(s)	Allumez la lumière sur la hotte
	Hey Google, turn off [Hood Name] light(s)	Éteignez la lumière de la hotte
	Hey Google, set [Hood Name] light(s) to High	Réglez le niveau d'éclairage sur Élevé sur la hotte
	Hey Google, set [Hood Name] light(s) to Bright	Réglez le niveau d'éclairage sur Élevé sur la hotte
	Hey Google, set [Hood Name] light(s) to Low	Réglez le niveau d'éclairage sur Faible sur la hotte
	Hey Google, set [Hood Name] light(s) to Dim	Réglez le niveau d'éclairage sur Faible sur la hotte
	Hey Google, set [Hood Name] light(s) to 1-3	Réglez la hotte à un niveau d'éclairage spécifique
Délai d'arrêt	Hey Google, Run [Hood Name] for 1-10 minutes	Activer le temporisateur de 1 à 10 minutes. Après 1 à 10 minutes, la hotte sera mise hors tension.
	Hey Google, Start 1-10 minute timer on [Hood Name]	Activer le temporisateur de 1 à 10 minutes. Après 1 à 10 minutes, la hotte sera mise hors tension.
	Hey Google, Stop [Hood Name] timer	Désactiver la minuterie de retard
	Hey Google, Cancel [Hood Name] timer	Désactiver la minuterie de retard

# Fonctionnalités et commandes

## Télécommande RF en option


Pour commander la télécommande RF, la référence est 14000005. Le fil d'antenne bleu doit être rallongé pour un signal optimal. Veuillez consulter la section, Montage de la hotte, pour les instructions.

### Attention FCC

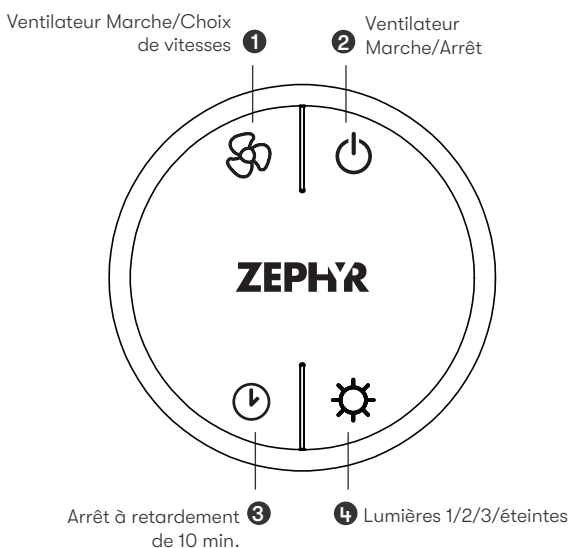
Pour assurer la conformité continue, tout changement ou modification non expressément approuvé par la partie responsable de la conformité peut annuler le droit de l'utilisateur à utiliser cet équipement. (Exemple - utilisez uniquement des câbles d'interface blindés lors de la connexion à un ordinateur ou à un périphérique. Cet appareil est conforme à la partie 15 des règles FCC. Son fonctionnement est soumis aux deux conditions suivantes. (1) Cet appareil ne doit pas causer d'interférences nuisibles, et (2) Cet appareil doit accepter toute interférence reçue, y compris les interférences susceptibles de provoquer un fonctionnement indésirable.

### Synchronisation

Pour créer un lien unique entre votre hotte et la télécommande, veuillez suivre ces étapes.

1. Avec le capot éteint, appuyez et maintenez  sur le capot jusqu'à ce que les commandes affichent «REMOTE PAIRING».
2. Appuyez sur un bouton de la télécommande et la télécommande sera synchronisée avec la hotte.



## Fonctions de la télécommande RF




### ① Ventilateur Allumer/Choix de vitesses

Appuyez sur  pour mettre le ventilateur en marche et choisir l'une des six vitesses de fonctionnement.

### ② Ventilateur Marche/Arrêt

Appuyez sur  pour allumer le ventilateur à la vitesse à laquelle il fonctionnait lorsque vous l'avez éteint. Appuyez de nouveau sur  et toutes les fonctions de l'appareil s'éteignent, y compris les lumières.

### ③ Arrêt à retardement

En appuyant sur , le ventilateur et les lumières passeront en mode d'arrêt automatique. L'icône de l'horloge s'allumera et les commandes afficheront «AUTOMATIC DELAY OFF». Le ventilateur passera à la vitesse 1 et un compte à rebours de 10 minutes commencera.

### ④ Lumières 1/2/3/éteintes

Basculez entre les niveaux d'éclairage en appuyant sur . Éteignez les lumières en parcourant les différents niveaux d'éclairage.



## Télécommande RF en option

### Caractéristiques de la télécommande RF

La télécommande RF est équipée d'un aimant à l'arrière pour un rangement facile. La télécommande peut être placée sur n'importe quelle surface magnétique telle qu'un réfrigérateur ou le support de télécommande Zephyr, FIG. D. Le support à distance peut être inséré dans une prise électrique standard pour un rangement facile. Remarque: le support de télécommande ne charge pas la télécommande RF.

La distance de communication maximale de la télécommande est de 15 pieds de la doublure.

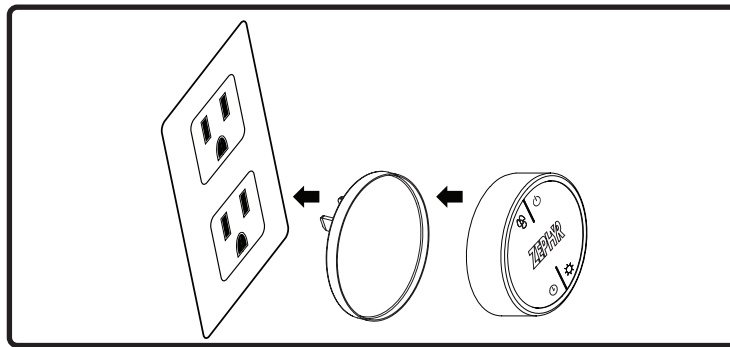


FIG. D

### Maintenance à distance RF

Nettoyez la télécommande avec des détergents non abrasifs.

Suivez les instructions ci-dessous pour remplacer la batterie. À l'aide d'un petit tournevis à tête plate, soulevez le couvercle du couvercle du logement des piles (A) pour accéder au compartiment des piles. FIG. E.

Retirez la batterie et remplacez-la par une batterie de type A23 12V. L'extrémité négative de la pile doit faire face au ressort à l'intérieur de la télécommande.

Réinstallez le couvercle de la batterie et recyclez l'ancienne batterie.

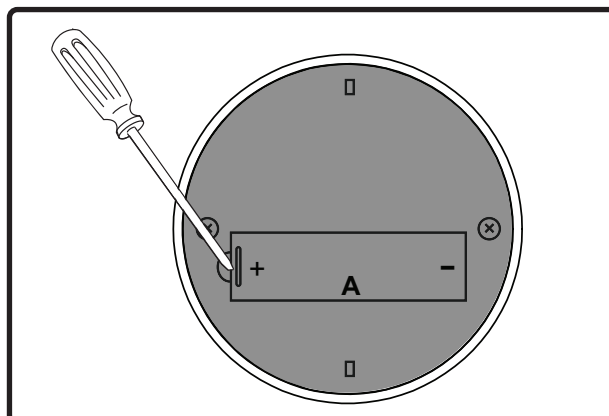


FIG. E

# Entretien

## Nettoyage de la hotte et du filtre

### Entretien de surface

- ▶ N'utilisez pas de détergents corrosifs, de détergents abrasifs ou de nettoyeurs pour four.
- ▶ N'utilisez aucun produit contenant un agent de blanchiment chloré ou un produit contenant du chlorure.
- ▶ N'utilisez pas de laine d'acier ou de tampons à récurer abrasifs qui pourraient rayer et endommager la surface.

### Nettoyage de l'acier inoxydable

Nettoyez périodiquement avec de l'eau chaude savonneuse et un chiffon en coton propre ou un chiffon en microfibres. Frottez toujours dans le sens du grain de l'acier inoxydable. Pour éliminer les accumulations de graisse plus lourdes, utilisez un détergent dégraissant liquide.

Après le nettoyage, utilisez un produit de polissage / nettoyeur pour acier inoxydable non abrasif pour polir et polir le lustre et le grain de l'acier inoxydable. Frottez toujours légèrement avec un chiffon en coton propre ou en microfibres et polissez dans le sens du grain de l'acier inoxydable.

### Nettoyage des filtres déflecteurs

Les filtres sont destinés à piéger les résidus et les graisses de cuisson. Bien que les filtres ne devraient jamais avoir besoin d'être remplacés, ils doivent être nettoyés tous les 30 jours ou plus souvent selon les habitudes de cuisson.

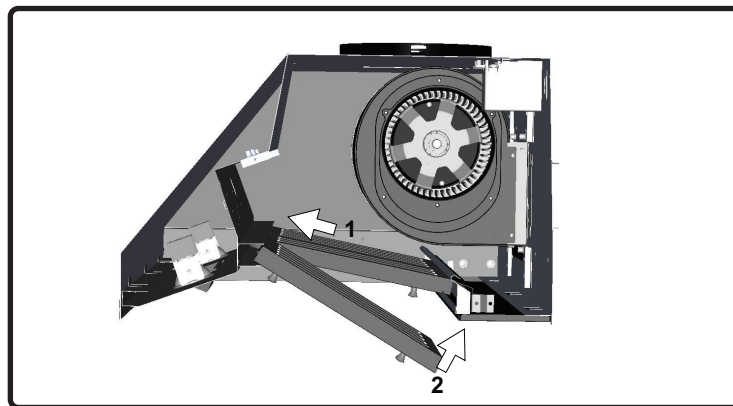
Les filtres peuvent être placés au lave-vaisselle à basse température ou trempés dans de l'eau chaude savonneuse. Sécher les filtres et les réinstaller avant d'utiliser la hotte.

### Nettoyage du bac à graisse

Le bac à graisse est destiné à recueillir les résidus et la graisse qui peuvent s'écouler des filtres déflecteurs. Le bac à graisse doit être nettoyé lorsque les filtres déflecteurs sont nettoyés. Nettoyez le plateau à graisse en le trempant dans de l'eau chaude savonneuse et en frottant doucement tout résidu avec un chiffon doux en éponge. Séchez le bac à graisse et réinstallez-le avant d'utiliser la hotte.

**Installation des filtres déflecteurs, FIG. F:**

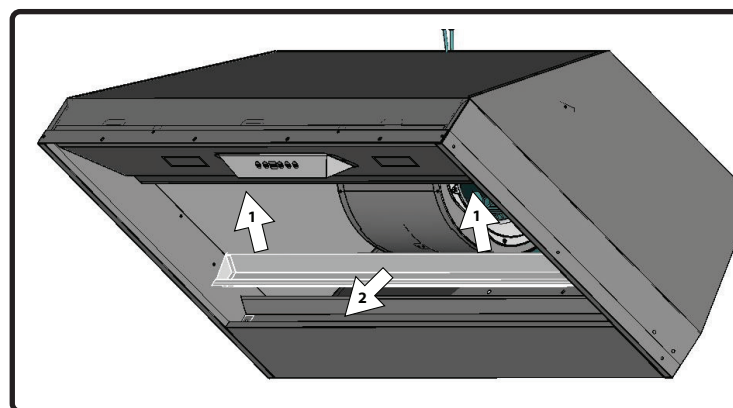
1. Placez le filtre dans la rainure supérieure de la doublure comme illustré et tirez vers l'avant de la doublure à l'aide des poignées.
2. Faites pivoter l'arrière du filtre vers le haut pour qu'il soit incliné dans la doublure.
3. Poussez le filtre dans le canal à l'arrière de la doublure pour le verrouiller en place.

**FIG. F****Retrait du bac à graisse**

Le plateau à graisse a une lèvre crochue qui se fixe au bord supérieur du panneau inférieur.

Retirez le bac à graisse en:

1. Tirez sur le plateau pour le dégager du panneau inférieur. FIG. G1
2. Retirez le plateau du corps de la doublure. FIG. G2

**FIG. G**

# Entretien

## LumiLight LED

Dans le cas peu probable où votre LumiLight LED tombe en panne, veuillez contacter Zephyr pour commander des pièces de rechange.

Voir la page de la liste des pièces et accessoires pour les numéros de pièces et les coordonnées.

### Retrait de la LED LumiLight (FIG. H):

1. Retirer les filtres défectueux.
2. Retirez le panneau lumineux par cinq vis.
3. Débranchez le connecteur rapide de la lumière LED.
4. Poussez les deux clips latéraux aux extrémités de la lumière LED.
5. Poussez la lumière LED à travers l'ouverture du panneau lumineux.

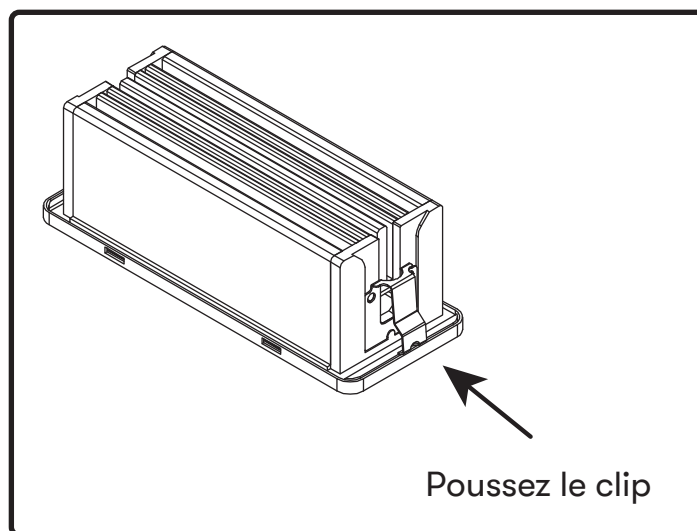


FIG. H

## Technologie de contrôle du débit d'air (ACT™)

Certains codes locaux limitent la quantité maximale de CFM qu'une hotte de cuisinière peut déplacer. ACT™ vous permet de contrôler le CFM maximum du ventilateur de certaines hottes de cuisinière Zephyr Ventilation sans avoir besoin de kits d'air d'appoint coûteux. ACT™ permet à l'installateur de régler facilement la vitesse maximale du ventilateur à l'un des trois niveaux CFM les plus couramment spécifiés; 590, 390 ou 290 CFM. L'utilisation d'ACT™ peut ne pas être nécessaire pour votre installation. Veuillez vérifier vos codes locaux pour les restrictions CFM.



### **AVERTISSEMENT**



La hotte doit être débranchée de l'alimentation principale avant d'effectuer les instructions de conversion répertoriées ci-dessous. Ne pas le faire peut entraîner des blessures ou endommager le produit.



### **AVERTISSEMENT**



Après avoir repositionné le cavalier et mis le capot sous tension, le CFM ne peut plus être changé.

# Conversion ACT™

## Activer ACT™

### Pour activer ACT™:

1. Avant l'installation de la hotte, accédez au tableau de circuits imprimés en suivant les étapes illustrées à la FIG. I.
2. Changez le positionnement du cavalier en plastique comme illustré à la FIG. J pour régler le CFM maximum souhaité du ventilateur.
3. Réinstallez la carte de circuit imprimé et poursuivez l'installation de la hotte.
4. Retirez l'autocollant CFM en aluminium approprié inclus avec la documentation de la hotte et placez-le à l'intérieur du corps de la hotte sous le schéma de câblage ou à un autre endroit clairement visible.

### Pour vérifier si votre installateur a activé ACT™:

1. Avec le capot éteint, maintenez le bouton Marche / Arrêt enfoncé pendant trois secondes. L'écran affichera si ACT™ est désactivé et réglé sur le CFM maximum ou si ACT™ est activé et réglé sur l'un des niveaux maximum de CFM restreints de 590, 390 ou 290.
2. Il devrait également y avoir une étiquette en aluminium située à l'intérieur du corps de la hotte près du schéma de câblage qui indique le CFM du ventilateur.

## Activer ACT™

1. Carte électronique située derrière le panneau lumineux.
2. (Le cas échéant) Retirez les deux panneaux d'espacement par 2 vis pour chaque panneau d'espacement.
3. Retirez les 5 vis fixant le panneau lumineux.

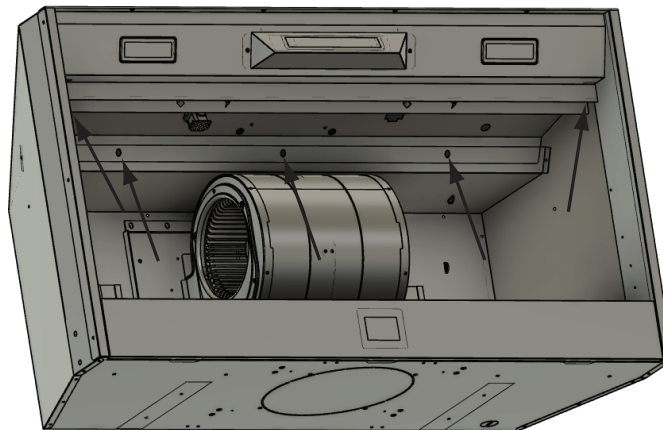


FIG. I

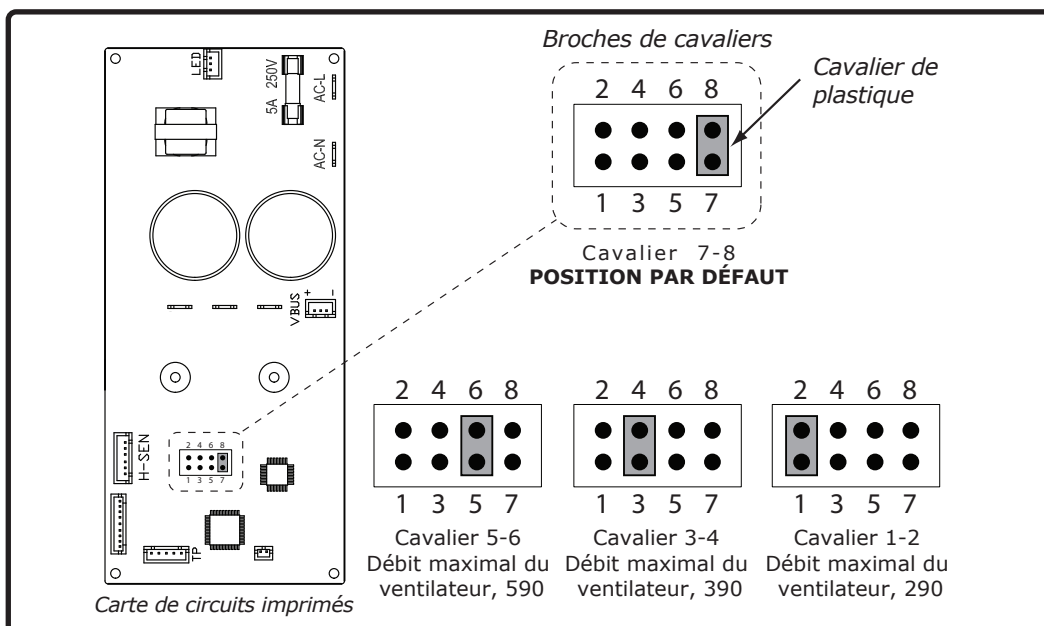
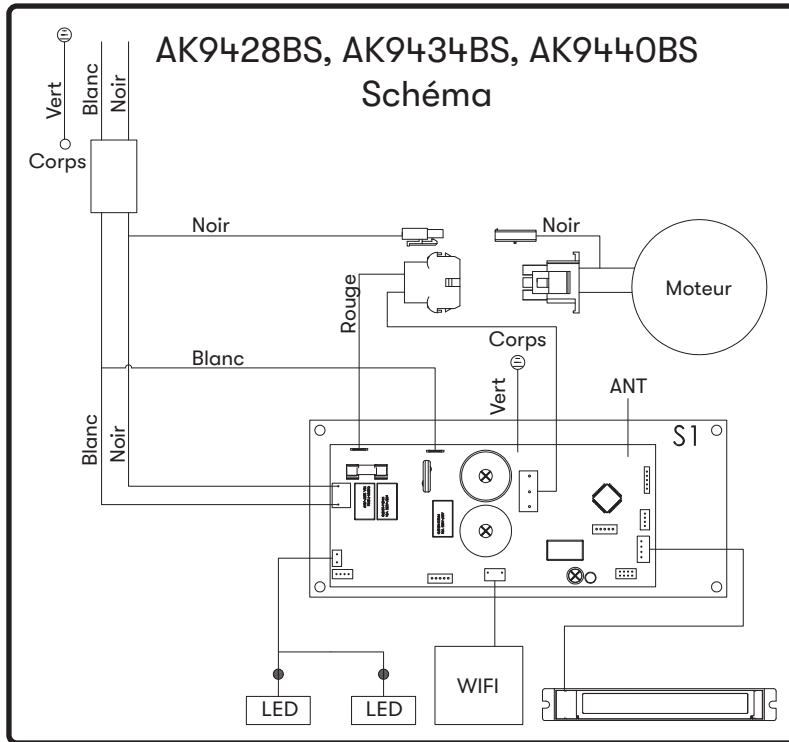


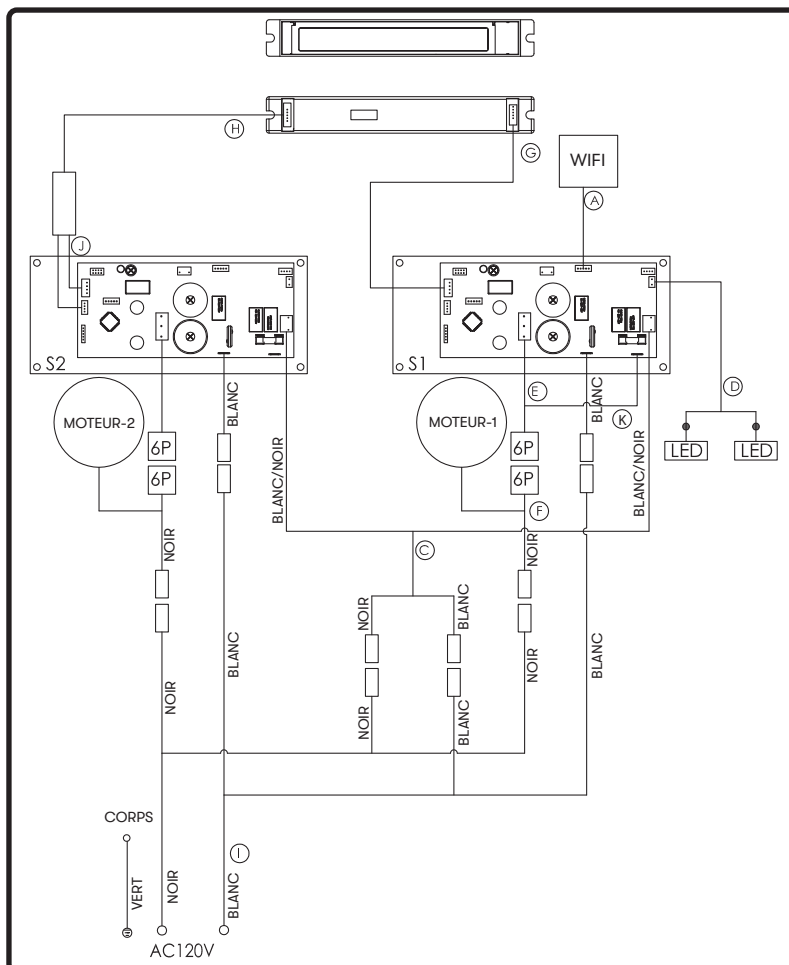
FIG. J

# Schéma de câblage

Souffleur simple



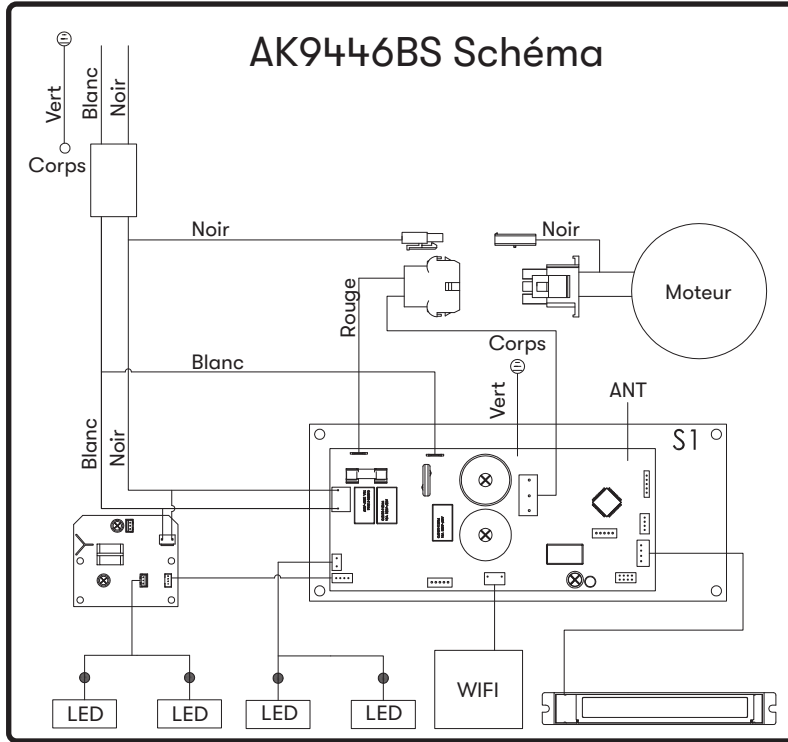
Double ventilateur



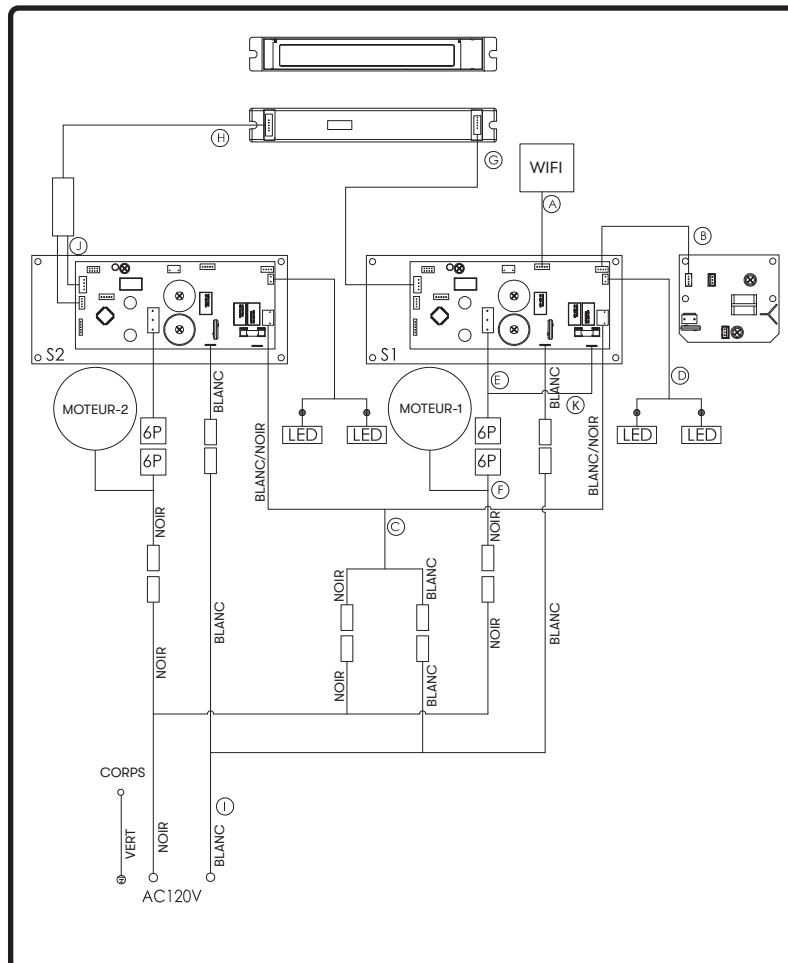
- A. Fil de connexion Wi-Fi
- C. Câble d'alimentation pour PCB d'extension
- D. Câble d'alimentation pour PCB d'extension
- E. Fil de connexion du ventilateur
- F. Fil de connexion du ventilateur
- G. Fil de connexion de contrôle
- H. Circuit imprimé à double ventilateur pour passer le fil
- I. Cordon d'alimentation
- J. Fil de connexion du double ventilateur
- K. Fil de connexion du ventilateur



Souffleur simple





Double ventilateur



- A. Fil de connexion Wi-Fi
- B. Fil de carte PCB de LED
- C. Câble d'alimentation pour PCB d'extension
- D. Câble d'alimentation pour PCB d'extension
- E. Fil de connexion du ventilateur
- F. Fil de connexion du ventilateur
- G. Fil de connexion de contrôle
- H. Circuit imprimé à double ventilateur pour passer le fil
- I. Cordon d'alimentation
- J. Fil de connexion du double ventilateur
- K. Fil de connexion du ventilateur

# Dépannage

Problème possible	Cause possible	Solutions
Après l'installation, l'appareil ne fonctionne pas.	La source d'alimentation n'est pas allumée.	Assurez-vous que le disjoncteur et l'appareil sont sous tension.
	La ligne d'alimentation et le connecteur de verrouillage du câble ne se connectent pas correctement.	Vérifiez que la connexion électrique avec l'appareil est correctement connectée.
	Les câblages du tableau de commande ou du tableau de commande sont déconnectés.	Assurez-vous que les câbles du tableau de commande et du tableau de commande sont correctement connectés.
	Le tableau de commande ou le tableau de commande est défectueux.	Changer le tableau de commande ou le tableau de commande.
	Les fils du tableau de commande sont desserrés.	Assurez-vous que les fils de la carte de commande sont correctement connectés.
La lumière fonctionne, mais le ventilateur ne tourne pas.	Le fil du ventilateur n'est pas connecté.	Assurez-vous que le fil du ventilateur est branché sur le connecteur mox.
	Le système thermiquement protégé détecte si le ventilateur est trop chaud pour fonctionner et arrête le ventilateur.	Le ventilateur fonctionnera correctement après le refroidissement du système thermiquement protégé.
	Condensateur endommagé.	Changez le condensateur.
	La broche de la prise mox du ventilateur ne fait pas de contact.	Débranchez la fiche mox du ventilateur, vérifiez les broches à l'intérieur de la fiche pour voir si la broche est enfoncée trop loin dans la fiche. Réinitialisez la broche si nécessaire.
	Le ventilateur est défectueux, éventuellement grippé.	Changer le ventilateur.
L'unité vibre.	Le ventilateur n'est pas fixé en place.	Serrez le ventilateur en place.
	Roue de soufflante endommagée.	Remplacez le ventilateur.
	Le capot n'est pas fixé en place.	Vérifiez l'installation de la hotte.
L'unité siffle.	Un filtre n'est pas dans la bonne position.	Ajustez les filtres jusqu'à ce que le sifflement s'arrête.
	Les raccords des tuyaux de conduit ne sont pas scellés ou correctement connectés.	Vérifiez les connexions des tuyaux de conduit pour vous assurer que toutes les connexions sont correctement scellées.
Le ventilateur fonctionne, mais les LED LumiLight ne le sont pas.	Le connecteur LED LumiLight est déconnecté.	Branchez le connecteur LED LumiLight.
	LED LumiLight défectueuse.	Changez la LED LumiLight.
	Le tableau de commande ou le tableau de commande est défectueux.	Changer le tableau de commande ou le tableau de commande.

Problème possible	Cause possible	Solutions
La hotte ne s'échappe pas correctement.	Utilisation de la mauvaise taille de conduit.	Changer le conduit à la bonne taille.
	La hotte est peut-être suspendue trop haut de la table de cuisson.	Ajustez la distance entre la plaque de cuisson et le bas de la hotte dans les limites de 24 po et 34 po.
	Le vent provenant des fenêtres ouvertes ou des portes ouvertes dans la zone environnante affecte la ventilation de la hotte.	Fermez toutes les fenêtres et portes pour éliminer le vent extérieur.
	Obstruction dans l'ouverture du conduit ou dans les conduits.	Retirez tout le blocage du conduit ou de l'ouverture du conduit.
L'unité s'allume d'elle-même.	La télécommande n'est peut-être pas couplée correctement.	Resynchronisez la télécommande pour vous connecter à un autre canal
	Quelqu'un contrôle la hotte via l'application Zephyr Connect.	Déterminez qui contrôle la hotte avec l'application.
Le filtre vibre	Le filtre est lâche.	Ajustez ou changez le filtre.
	Le clip à ressort est cassé sur le filtre.	Changer le clip à ressort.
La télécommande RF ne fonctionne pas.	La batterie est morte.	Remplacez la batterie par un type A23 12v.
	Mauvaise communication avec la hotte.	La télécommande doit être à moins de 15 pieds de la hotte.
	La télécommande RF a perdu la communication avec la hotte.	Réinitialisez la hotte et la télécommande en coupant l'alimentation au disjoncteur pendant 5 minutes. Placez la télécommande sur le comptoir près de la hotte et rallumez le disjoncteur.
	Le fil d'antenne bleu n'est pas prolongé.	Prolongez le fil d'antenne bleu derrière le panneau lumineux.
La hotte et l'appareil de l'utilisateur ne seront pas couplés via Bluetooth®.	Bluetooth® n'est pas activé sur le téléphone de l'utilisateur.	Activez Bluetooth® sur le téléphone de l'utilisateur.
	Le téléphone de l'utilisateur est peut-être hors de portée.	Rapprochez-vous de la hotte.
	L'utilisateur n'a pas saisi le code Bluetooth® pour réussir le couplage.	Entrez le code d'appairage, 123456.
	La hotte n'est pas en mode d'appairage Bluetooth®.	Maintenez  et  simultanément pendant 5 secondes pour mettre la hotte en mode d'appairage.
	Plusieurs erreurs empêchent le téléphone de l'utilisateur de s'associer à la hotte.	Redémarrez le téléphone de l'utilisateur et réessayez.

# Dépannage

Problème possible	Cause possible	Solutions
La hotte ne se connecte pas au Wi-Fi.	Le routeur ou le modem de l'utilisateur est désactivé.	Allumez le routeur ou le modem.
	Le routeur de l'utilisateur est connecté à une fréquence sans fil de 5 GHz.	Connectez-vous à la bande 2,4 GHz et essayez de vous reconnecter.
	Les câbles coaxiaux de l'utilisateur sont desserrés.	Serrez les câbles coaxiaux se connectant au routeur ou au modem.
	Le Wi-Fi sur le téléphone de l'utilisateur est désactivé.	Activez le Wi-Fi sur le téléphone.
	L'utilisateur se connecte au mauvais réseau Wi-Fi.	Vérifiez que le bon réseau Wi-Fi est connecté. Le nom / SSID du réseau Wi-Fi par défaut se trouve sur le routeur.
	La hotte n'est pas à portée de la connexion Wi-Fi.	Rapprochez le routeur et le modem de la hotte pour augmenter la puissance de la connexion.
	Des obstacles bloquent la force du signal Wi-Fi.	Rapprochez le routeur et le modem de la hotte ou déplacez les objets qui bloquent directement le chemin vers la hotte. Les murs peuvent réduire la puissance du signal.
L'utilisateur ne peut pas modifier les connexions Wi-Fi.	La hotte et le téléphone de l'utilisateur sont déjà connectés.	Entrez les paramètres Bluetooth® et oubliez l'appareil pour réinitialiser le processus sur le téléphone.
Impossible de lier la hotte à mon compte Zephyr Connect.	Un seul compte Zephyr Connect peut être lié au capot.	Connectez-vous en utilisant le compte Zephyr Connect qui est déjà lié au capot. Plusieurs appareils peuvent se connecter en utilisant le même compte.
L'application Zephyr Connect n'enregistre pas les entrées des utilisateurs.	Le Wi-Fi est instable et la hotte peut s'être déconnectée.	Assurez-vous que le routeur et le modem sont tous deux allumés. Laissez la hotte se reconnecter.
	La hotte éprouve des difficultés à se connecter au téléphone de l'utilisateur.	Vérifiez la connexion Wi-Fi et redémarrez l'application.
L'application Zephyr Connect est bloquée sur «Chargement».	Le Wi-Fi est instable et la hotte peut s'être déconnectée.	Assurez-vous que le routeur et le modem sont tous deux allumés. Laissez la hotte se reconnecter.
	La hotte éprouve des difficultés à se connecter au téléphone de l'utilisateur.	Vérifiez la connexion Wi-Fi et redémarrez l'application.

La description	Numéro d'article
<b>Pièces de rechange</b>	
LumiLight LED, 6 W	ZOB0047
Filtre à chicane (chacun)	50210039
<b>Accessoires optionnels</b>	
Télécommande RF	14000005

Pour commander des pièces, visitez-nous en ligne à <http://store.zephyronline.com>.

# Remarques

---

CORE

MONSOON  
CONNECT

INSÉRER

**POUR OBTENIR DU SERVICE SOUS GARANTIE OU POUR TOUTE QUESTION LIÉE À L'ENTRETIEN,  
veuillez communiquer avec nous au 1-888-880-8368**

Zephyr Ventilation, LLC (désigné aux présentes sous le nom de « nous ») garantit au premier acheteur (désigné aux présentes sous le nom de « vous » ou « votre ») de produits Zephyr (les « Produits ») que lesdits produits sont exempts de défauts de fabrication ou de main-d'œuvre selon les conditions suivantes :

**Garantie de trois ans sur les pièces :** Garantie de trois ans à partir de la date d'achat originale du Produit. Nous fournirons sans frais les Produits ou les pièces (y compris les ampoules LED, le cas échéant) de remplacement qui comportaient des défauts de fabrication. Nous pourrions choisir, à notre seule discrétion, de réparer ou de remplacer des pièces avant de prendre la décision de remplacer le Produit.

**Garantie limitée d'un an sur la main-d'œuvre :** Garantie d'un an à partir de la date d'achat originale du Produit. Nous couvrirons sans frais les frais de main-d'œuvre afférents à la réparation du Produit ou des pièces de remplacement qui comportaient des défauts de fabrication. Un an après la date d'achat originale, vous serez responsable de tous les frais de main-d'œuvre associés à la présente garantie.

**Exclusions de la garantie :** Cette garantie ne couvre que la réparation ou le remplacement, à notre gré, de pièces ou de Produits défectueux et ne couvre aucun autre coût afférent aux Produits, dont, sans s'y limiter, les frais liés : (a) à l'entretien normal des Produits et au remplacement des pièces consommables, comme les fluorescent, incandescence ou halogèneampoules, les filtres métalliques, les filtres à charbon et les fusibles; (b) à tout Produit ou pièce ayant été endommagé durant le transport ou étant le résultat d'un mauvais usage, d'une négligence, d'un accident, d'une installation incorrecte ou ne respectant pas les notices d'installation recommandées, d'un entretien ou d'une réparation inapproprié (dont ne nous sommes pas responsables); (c) à une utilisation commerciale ou ne correspondant pas à l'utilisation pour laquelle les Produits sont conçus; (d) à l'usure naturelle du fini, à l'usure due à un entretien inadéquat, à l'utilisation de produits nettoyants corrosifs ou abrasifs, de tampons nettoyeurs et de produits de nettoyage pour le four; (e) aux éclats, entailles ou fissures résultant d'un abus ou d'une mauvaise utilisation du Produit; (f) aux déplacements d'un technicien de service à votre domicile pour vous montrer comment utiliser les Produits; (g) aux dommages causés par un accident, un incendie, une inondation, un cas fortuit; ou (h) Les installations personnalisées ou modifications qui ont un impact sur la maintenabilité du Produit. Si vous vous trouvez à l'extérieur du territoire que nous desservons, des frais supplémentaires pourraient s'appliquer pour la livraison des produits à nos points de service désignés pour une réparation sous garantie ou vous pourriez avoir à déboursier les frais de déplacement du technicien à votre domicile pour que le Produit soit réparé, enlevé ou réinstallé. Un an après la date d'achat originale du Produit, vous êtes également responsable de tous les frais de main-d'œuvre associés à la présente garantie.

**Restrictions de la garantie. NOTRE OBLIGATION DE RÉPARER OU DE REMPLACER, À NOTRE GRÉ, LE PRODUIT CONSTITUE VOTRE SEUL ET UNIQUE RECOURS SOUS LA PRÉSENTE GARANTIE. NOUS NE NOUS PORTONS PAS RESPONSABLES POUR TOUT DOMMAGE INDIRECT, ACCESSOIRE OU PARTICULIER RÉSULTANT OU AYANT UN LIEN AVEC L'UTILISATION OU LE RENDEMENT DES PRODUITS. LES GARANTIES EXPRESSES DE LA SECTION PRÉCÉDENTE SONT EXCLUSIVES ET TIENNENT LIEU DE TOUTE AUTRE GARANTIE EXPRESSE. PAR LES PRÉSENTES, NOUS REJETONS ET EXCLUONS TOUTE AUTRE GARANTIE EXPRESSE POUR LES PRODUITS ET TOUTES LES GARANTIES TACITES PRÉVUES PAR LA LOI, DONT CELLES RELATIVES À LA QUALITÉ MARCHANDE OU À L'ADÉQUATION DU PRODUIT POUR UNE UTILISATION PARTICULIÈRE.** Certains États ou provinces n'autorisent pas les restrictions sur la durée d'une garantie implicite ou l'exclusion ou la restriction des dommages indirects ou accessoires; par conséquent, les exclusions et restrictions mentionnées ci-dessus pourraient ne pas s'appliquer à votre cas. Dans la mesure où une loi applicable interdit l'exclusion de garanties implicites, la durée de toute garantie implicite applicable se limite à la période de deux ans décrite ci-dessus. L'unique objectif de toute description orale ou écrite est de présenter les Produits et celle-ci ne devrait pas être interprétée comme une garantie expresse. Avant d'utiliser ou de permettre l'utilisation des Produits, vous devez déterminer si les Produits conviennent aux utilisations prévues et vous devez assumer tout risque et toute responsabilité relatifs à ces utilisations. Nous nous réservons le droit d'utiliser des pièces reconstruites ou remises à neuf pour remplacer l'une des fonctionnalités dans le cadre de la présente garantie ou de l'une des parties de la présente garantie. L'acheteur original ne peut transférer la présente garantie et celle-ci n'est valide qu'aux États-Unis et au Canada.

**Pour obtenir du service sous la garantie :** Pour avoir droit à du service sous garantie, vous devez : (a) nous avertir en utilisant l'adresse ou le numéro de téléphone inscrit ci-dessous dans les soixante jours suivant la détection du défaut; (b) donner le numéro du modèle, le numéro d'identification de la pièce ainsi que le numéro de série; et (c) décrire la nature de tout défaut de la pièce ou du Produit. Au moment de faire la demande de service sous garantie, vous devrez présenter votre preuve d'achat et la preuve de la date d'achat originale. Si nous déterminons que les exclusions de la garantie énumérées ci-dessus s'appliquent ou si vous vous trouvez dans l'incapacité de nous fournir la documentation nécessaire pour obtenir du service, vous serez responsable de tous les frais d'expédition, de déplacement, de main-d'œuvre ou de tout autre coût afférent au service.

Veuillez consulter notre site Web au [www.zephyronline.com](http://www.zephyronline.com) pour savoir si des révisions ont été apportées à la garantie.

**Zephyr Ventilation Service Department, 2277 Harbor Bay Parkway, Alameda, CA 94502 1-888-880-8368**

MAY20.0501

# Enregistrement du produit

Nous vous félicitons d'avoir acheté un produit Zephyr. Veuillez prendre un moment pour enregistrer votre nouvelle produit au [www.zephyronline.com/registration](http://www.zephyronline.com/registration)

## C'EST IMPORTANT

Cet enregistrement rapide est utile à bien des égards.

- Il assure la couverture de votre garantie si vous avez besoin de service après-vente.
- À des fins d'assurance, il permet de confirmer que vous êtes le propriétaire.
- Il vous permet de recevoir des avis concernant des modifications ou des rappels de produits.



Zephyr Ventilation | 2277 Harbor Bay Pkwy. | Alameda, CA 94502 | 1.888.880.8368