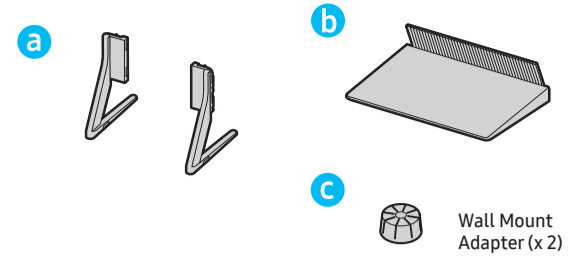
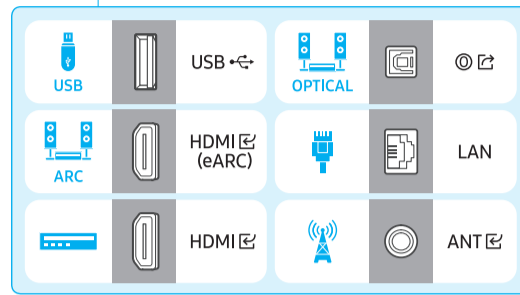
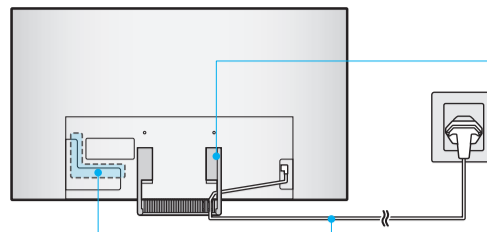
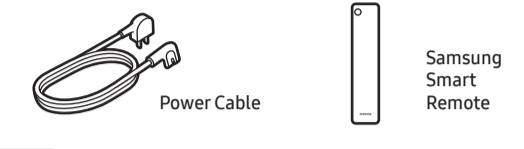


SAMSUNG

Unpacking and Installation Guide



48"-55"



65"



Scan this QR code with your smart phone to see helpful videos.

1

48"

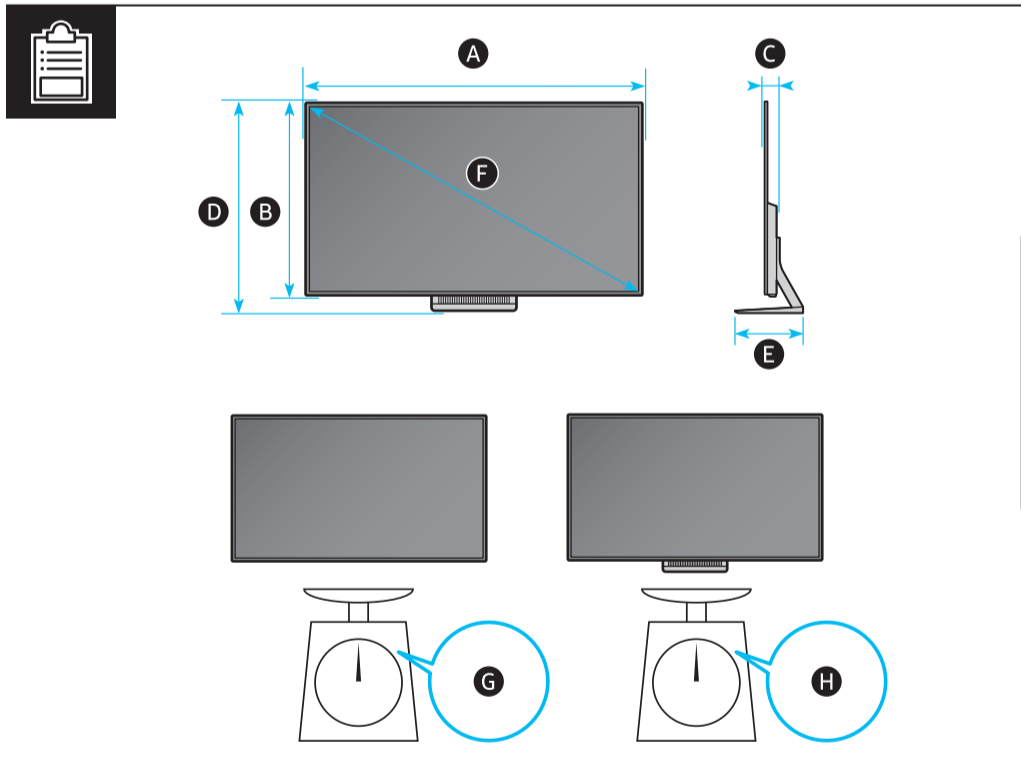
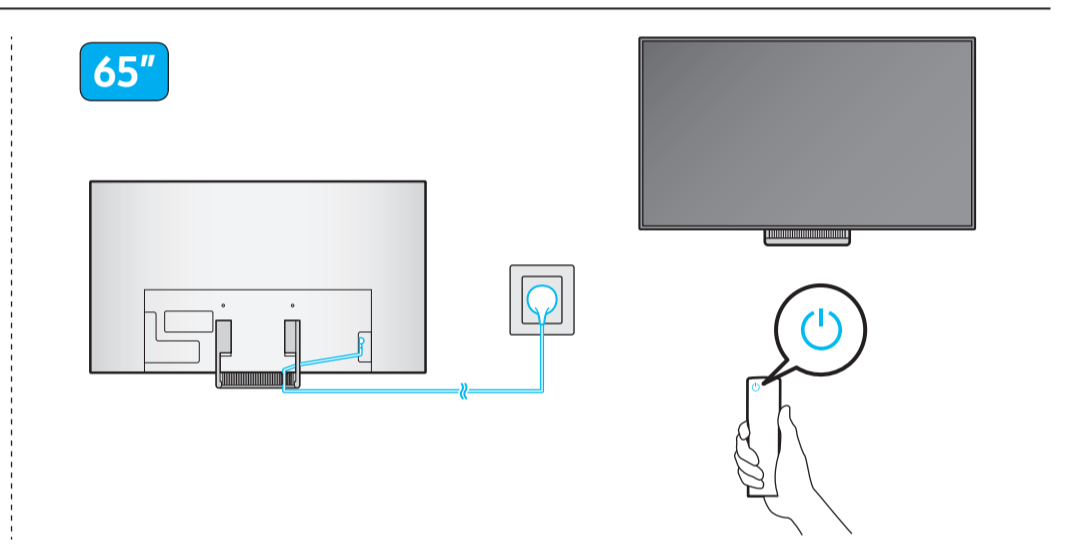
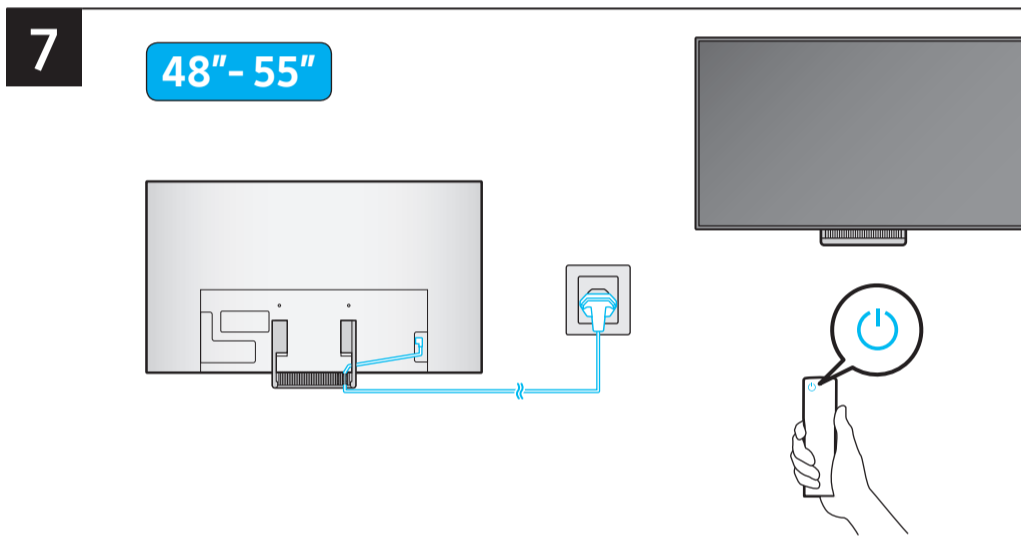
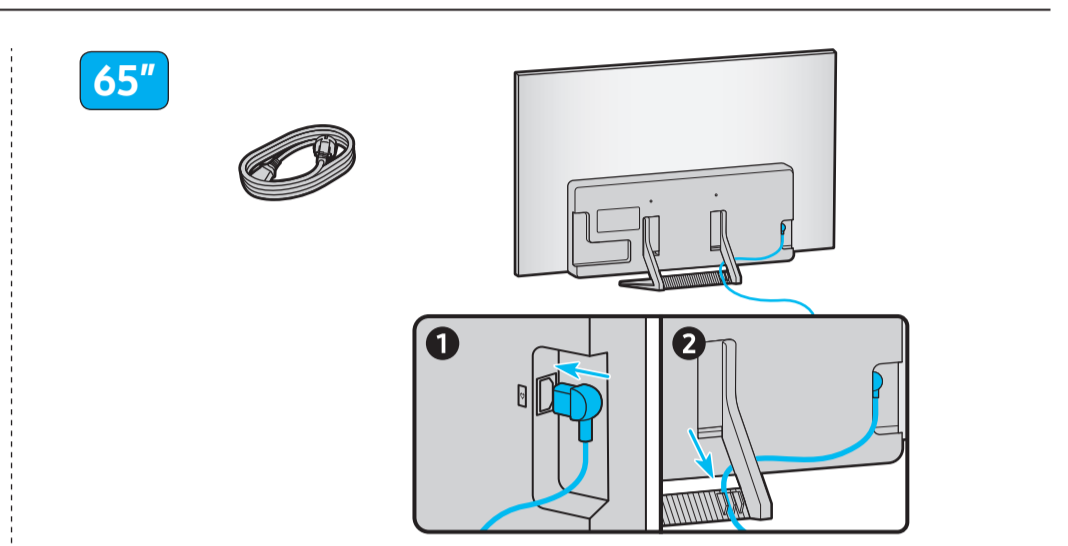
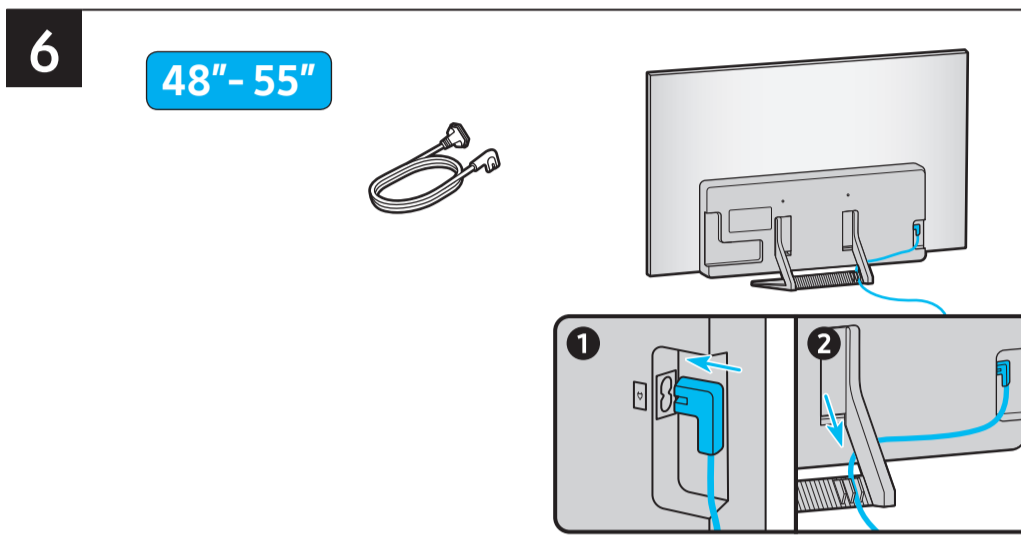
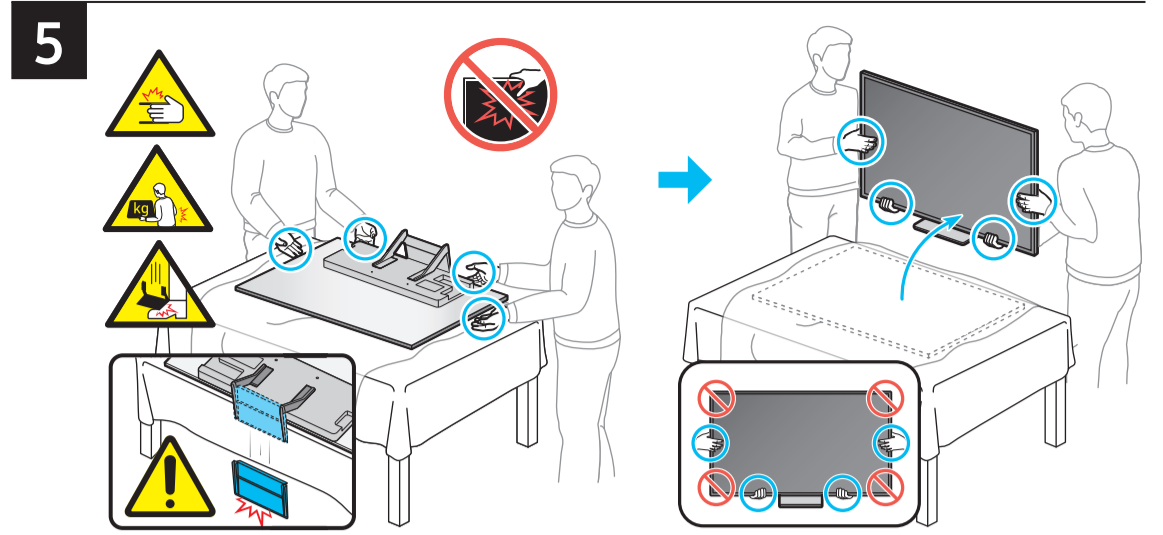
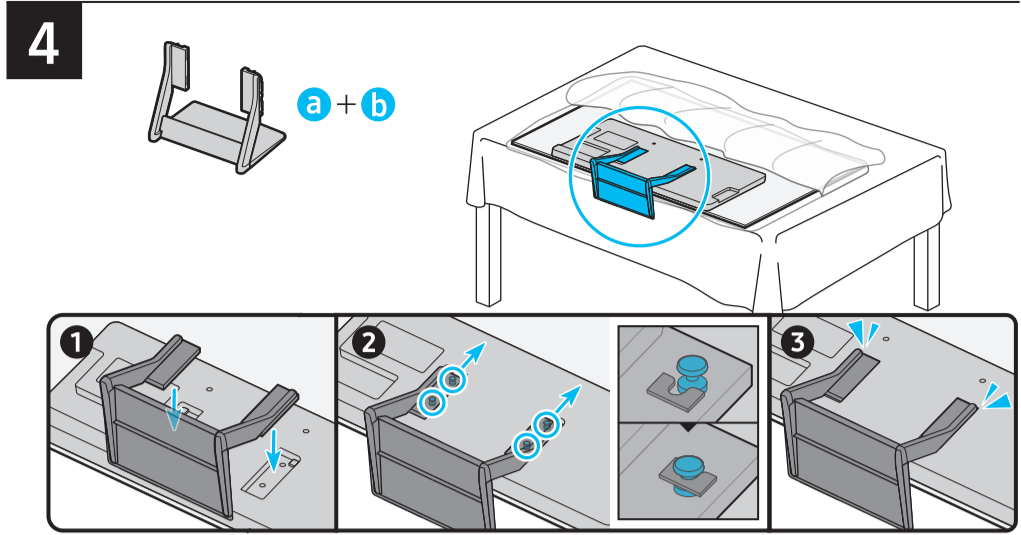
55"

65"

Warning icons: No sharp objects, No heavy lifting, Fragile, No tilting.

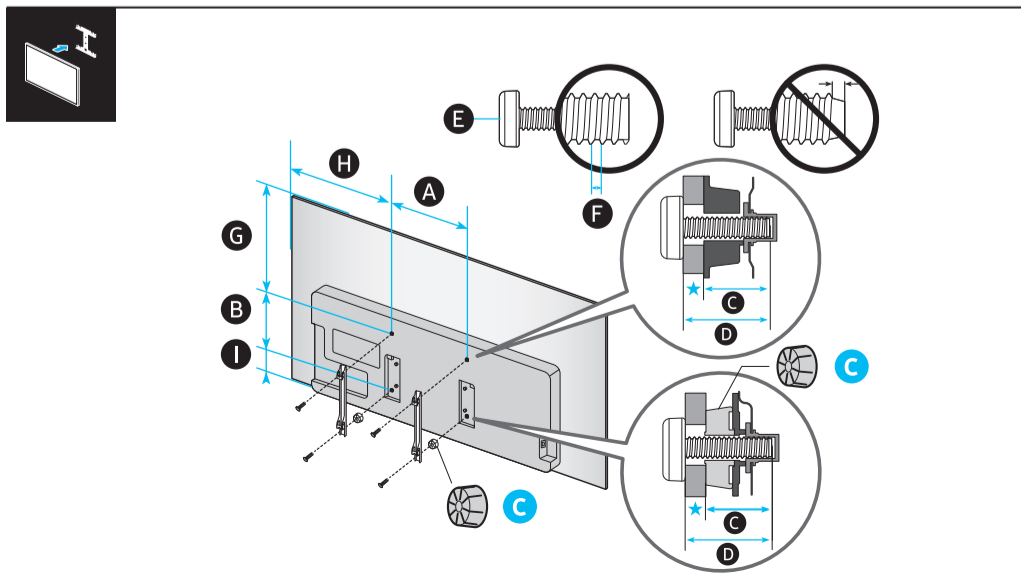
2

3



	A	B	C	D	E	F	G	H
48S9*H	42.1 inches (1069.3 mm)	24.4 inches (619.9 mm)	1.6 inches (39.6 mm)	27.0 inches (685.9 mm)	10.4 inches (265.2 mm)	47.5 inches	23.4 lbs (10.6 kg)	26.2 lbs (11.9 kg)
55S9*H	48.2 inches (1225.4 mm)	27.9 inches (708.6 mm)	1.6 inches (39.9 mm)	30.5 inches (773.6 mm)	10.4 inches (265.2 mm)	54.6 inches	32.2 lbs (14.6 kg)	35.1 lbs (15.9 kg)
65S9*H	56.9 inches (1444.3 mm)	32.7 inches (831.7 mm)	1.6 inches (39.9 mm)	35.3 inches (896.7 mm)	10.4 inches (265.2 mm)	64.5 inches	42.1 lbs (19.1 kg)	45.0 lbs (20.4 kg)

*: 0-9, A-Z



	VESA A x B (mm)	C (mm)	D	E x 4	F (mm)	G (inches)	H (inches)	I (inches)
48S9*H	300 x 200	28-30	C + ★	M8	1.25	12.8	15.1	3.8
55S9*H	300 x 200	28-30	C + ★	M8	1.25	16.3	18.2	3.8
65S9*H	300 x 200	28-30	C + ★	M8	1.25	21.1	22.5	3.8

*: 0-9, A-Z

★: Wall-Mount Bracket