


Thank you for purchasing this quality product. Be sure to unpack carefully looking for small parts which may have come loose during shipment.

Read all instruction and study the drawing carefully before starting the assembly process.

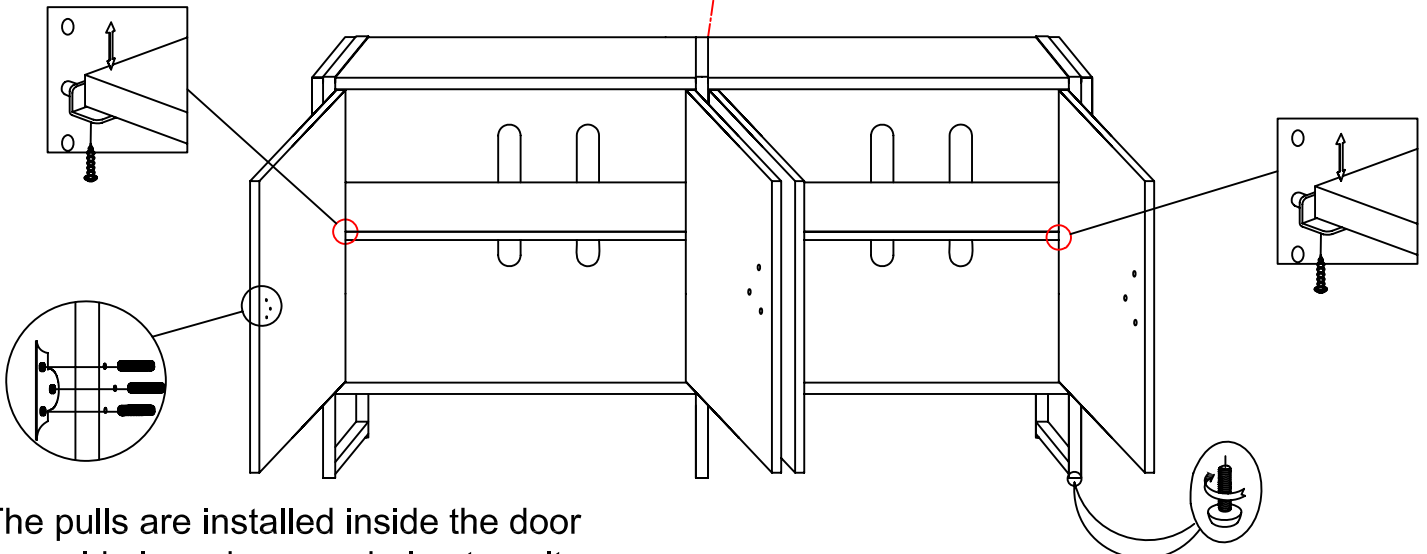
HARDWARE PACK				
NO.	DRAWING	DESCRIPTION	SIZE	Q'TY
A		Anti - Tip Kit		1 PC

Tipping Restraint



The adjustable shelves are screwed in place to avoid damage during transit. To adjust the shelf height, remove screws then place shelf pins in the desired level.

Anti-tip kit is included for use. We recommend installing for safety reason.



The pulls are installed inside the door to avoid glass damage during transit.

Adjust leveler if needed to level credenza on uneven floor.

ASSEMBLY INSTRUCTION FOR DOOR PULL

1. Open door.
2. With one hand holding the pull, unscrew with a screwdriver (not provided).
3. Remove screw in hole and reinsert it through the hole from the opposite side.
4. Thread pull onto screw.
5. Tighten screw with screwdriver (not provided), please do not over tighten.
6. Repeat above steps with the other pulls.

Note: Anti-tip kit restraint is provided.
Please follow the instructions enclosed with the pack.