



WINE CELLAR

Use & Care Guide

For questions about features, operation/performance,
parts or service, call: **1-800-253-1301**

In Canada, call for assistance **1-800-807-6777**

or visit our website at...

www.whirlpool.com or www.whirlpool.ca

BODEGA

Manual de uso y cuidado

Para consultas respecto a características, operación/desempeño, partes o servicio, llame al: **1-800-253-1301**

o visite nuestro sitio de internet en...

www.whirlpool.com

CAVE À VIN

Guide d'utilisation et d'entretien

Au Canada, pour assistance, composez le **1 800 807-6777**

ou visitez notre site web à

www.whirlpool.ca

Table of Contents/Índice/Table des matières...2

TABLE OF CONTENTS

WINE CELLAR SAFETY	3	Using the Control	8
INSTALLATION REQUIREMENTS	4	Wine Racks	10
Tools	4	Stocking the Wine Cellar	10
Location Requirements	4	Lighting the Wine Cellar	11
Opening Dimensions	4	WINE CELLAR CARE	11
Electrical Requirements	4	Cleaning	11
INSTALLATION INSTRUCTIONS	5	Vacation and Moving Care	12
Unpack the Wine Cellar	5	TROUBLESHOOTING	12
Door Closing	5	ASSISTANCE OR SERVICE	14
Wine Cellar Doors	6	In the U.S.A.	14
Base Grille	7	In Canada	14
Handle Assembly	7	Accessories	14
WINE CELLAR USE	8	WARRANTY	15
Normal Sounds	8		

ÍNDICE

SEGURIDAD DE LA BODEGA	16	Uso del control	21
REQUISITOS DE INSTALACIÓN	17	Portabotellas	23
Herramientas	17	Cómo almacenar en la bodega	23
Requisitos de ubicación	17	Cómo iluminar la bodega	24
Medidas de la abertura	17	CUIDADO DE LA BODEGA	24
Requisitos eléctricos	18	Limpieza	24
INSTRUCCIONES DE INSTALACIÓN	18	Cuidado durante las vacaciones y mudanzas	25
Desempaque de la bodega	18	SOLUCIÓN DE PROBLEMAS	25
Cierre de la puerta	18	AYUDA O SERVICIO TÉCNICO	27
Puertas de la bodega	19	En los EE.UU.	27
Rejilla de la base	20	En Canadá	27
Ensamblaje de la manija	20	Accesorios	27
USO DE LA BODEGA	21	GARANTÍA	28
Sonidos normales	21		

TABLE DES MATIÈRES

SÉCURITÉ DE LA CAVE À VIN	30	Utilisation de la commande	35
EXIGENCES D'INSTALLATION	31	Casiers à vin	37
Outillage	31	Stockage dans la cave à vin	37
Exigences d'emplacement	31	Éclairage de la cave à vin	38
Dimensions de l'ouverture	31	ENTRETIEN DE LA CAVE À VIN	38
Spécifications électriques	32	Nettoyage	38
INSTRUCTIONS D'INSTALLATION	32	Précautions à prendre pour les vacances et avant un déménagement	39
Déballage de la cave à vin	32	DÉPANNAGE	39
Fermeture de la porte	32	ASSISTANCE OU SERVICE	41
Portes de la cave à vin	33	Aux États-Unis	41
Grille de la base	34	Au Canada	41
Manette	34	Accessoires	41
UTILISATION DE LA CAVE À VIN	35	GARANTIE	42
Sons normaux	35		

WINE CELLAR SAFETY

Your safety and the safety of others are very important.

We have provided many important safety messages in this manual and on your appliance. Always read and obey all safety messages.



This is the safety alert symbol.

This symbol alerts you to potential hazards that can kill or hurt you and others.

All safety messages will follow the safety alert symbol and either the word "DANGER" or "WARNING."

These words mean:

⚠ DANGER

You can be killed or seriously injured if you don't immediately follow instructions.

⚠ WARNING

You can be killed or seriously injured if you don't follow instructions.

All safety messages will tell you what the potential hazard is, tell you how to reduce the chance of injury, and tell you what can happen if the instructions are not followed.

IMPORTANT SAFETY INSTRUCTIONS

WARNING: To reduce the risk of fire, electric shock, or injury when using your wine cellar, follow these basic precautions:

- Plug into a grounded 3 prong outlet.
- Do not remove ground prong.
- Do not use an adapter.
- Do not use an extension cord.
- Disconnect power before servicing.
- Replace all parts and panels before operating.
- Remove doors from your old wine cellar.
- Use nonflammable cleaner.
- Keep flammable materials and vapors, such as gasoline, away from wine cellar.
- Use two or more people to move and install wine cellar.

SAVE THESE INSTRUCTIONS

State of California Proposition 65 Warnings:

WARNING: This product contains one or more chemicals known to the State of California to cause cancer.

WARNING: This product contains one or more chemicals known to the State of California to cause birth defects or other reproductive harm.

Proper Disposal of Your Old Wine Cellar

⚠ WARNING

Suffocation Hazard

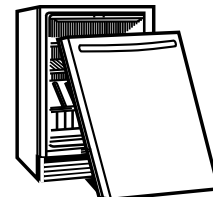
Remove door from your old wine cellar.

Failure to do so can result in death or brain damage.

IMPORTANT: Child entrapment and suffocation are not problems of the past. Junked or abandoned wine cellars are still dangerous – even if they will sit for "just a few days." If you are getting rid of your old wine cellar, please follow these instructions to help prevent accidents.

Before You Throw Away Your Old Wine Cellar:

- Take off the door.
- Leave the racks in place so that children may not easily climb inside.



Important information to know about disposal of refrigerants:

Dispose of refrigerator in accordance with Federal and Local regulations. Refrigerants must be evacuated by a licensed, EPA certified refrigerant technician in accordance with established procedures.

INSTALLATION REQUIREMENTS

Tools

Tool Needed

Gather the required tool before starting installation.

- Phillips screwdriver

Location Requirements

⚠ WARNING



Explosion Hazard

Keep flammable materials and vapors, such as gasoline, away from wine cellar.

Failure to do so can result in death, explosion, or fire.

NOTES:

- It is recommended that you do not install the wine cellar near an oven, radiator, or other heat source.
- Do not install in a location where the temperature will fall below 55°F (13°C). For best performance, do not install the wine cellar behind a cabinet door or block the base grille.

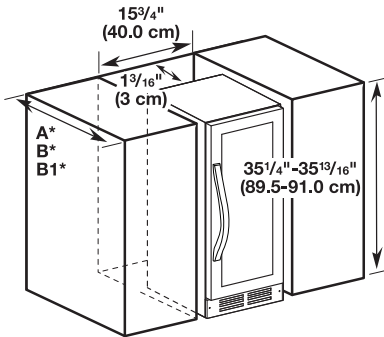
Opening Dimensions

- Height dimensions are shown with the leveling legs extended to the minimum height.

NOTE: When leveling legs are fully extended, add 5/8" (15 mm) to the height dimensions.

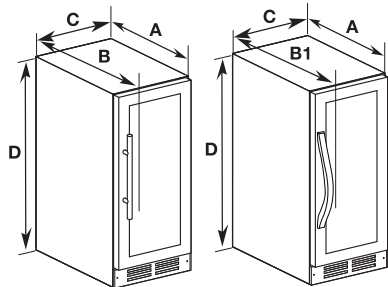
- If the floor of the opening is not level with the kitchen floor, shim the opening to make it level with the kitchen floor.

15" Models



Depth Dimensions	
A*	24 ⁷ / ₈ " (63.2 cm) - w/o handle
B*	26 ⁵ / ₈ " (67.7 cm) - WUW35X15DS
B1*	26 ⁷ / ₈ " (68.2 cm) - WUW55X15HS

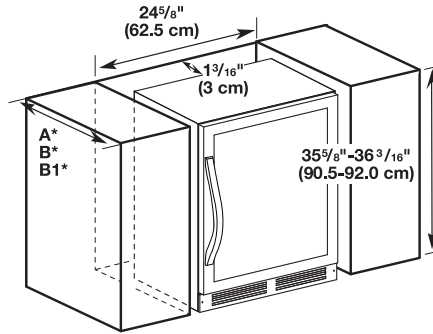
WUW35X15DS WUW55X15HS



Dimensions	
A	21 ⁷ / ₈ " (55.5 cm)
B	25 ¹ / ₂ " (64.7 cm)
B1	25 ¹¹ / ₁₆ " (65.2 cm)
C	15" (38.0 cm)
D	34 ¹ / ₁₆ " - 34 ⁵ / ₈ " (86.5 cm - 88.0 cm)

NOTE: Door clearance of 10⁵/₈" (27 cm) is required to allow full shelf extension.

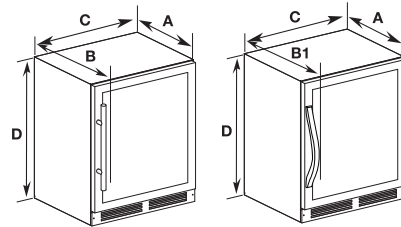
24" Models



Depth Dimensions	
A*	24 ⁷ / ₈ " (63.2 cm) - w/o handle
B*	26 ⁵ / ₈ " (67.7 cm) - WUW35X24DS
B1*	26 ⁷ / ₈ " (68.2 cm) - WUW55X24HS

WUW35X24DS

WUW55X24HS



Dimensions	
A	21 ⁷ / ₈ " (55.5 cm)
B	25 ¹ / ₂ " (64.7 cm)
B1	25 ¹¹ / ₁₆ " (65.2 cm)
C	23 ¹³ / ₁₆ " (60.5 cm)
D	34 ⁷ / ₁₆ " - 35" (87.5 cm - 89.0 cm)

NOTE: Door clearance of 16¹/₈" (41 cm) is required to allow full shelf extension.

Electrical Requirements

⚠ WARNING



Electrical Shock Hazard

Plug into a grounded 3 prong outlet.

Do not remove ground prong.

Do not use an adapter.

Do not use an extension cord.

Failure to follow these instructions can result in death, fire, or electrical shock.

Before you move your wine cellar into its final location, it is important to make sure you have the proper electrical connection.

Recommended Grounding Method

A 115 Volt, 60 Hz., AC only, 15- or 20-amp fused, grounded electrical supply is required. It is recommended that a separate circuit serving only your wine cellar be provided. Use an outlet that cannot be turned off by a switch. Do not use an extension cord.

NOTE: Before performing any type of installation, cleaning, or removing a light bulb, unplug wine cellar or disconnect power.

INSTALLATION INSTRUCTIONS

Unpack the Wine Cellar

⚠️ WARNING

Excessive Weight Hazard

Use two or more people to move and install wine cellar.
Failure to do so can result in back or other injury.

Remove the Packaging

- Remove tape and glue residue from surfaces before turning on the wine cellar. Rub a small amount of liquid dish soap over the adhesive with your fingers. Wipe with warm water and dry.
- Do not use sharp instruments, rubbing alcohol, flammable fluids, or abrasive cleaners to remove tape or glue. These products can damage the surface of your wine cellar. For more information, see “Wine Cellar Safety.”
- Dispose of/recycle all packaging materials.

When Moving Your Wine Cellar:

Your wine cellar is heavy. When moving the wine cellar for cleaning or service, be sure to cover the floor with cardboard or hardboard to avoid floor damage. Always pull the wine cellar straight out when moving it. Do not wiggle or “walk” the wine cellar when trying to move it, as floor damage could occur.

Clean Before Using

After you remove all of the packaging materials, clean the inside of your wine cellar before using it. See the cleaning instructions in “Wine Cellar Care.”

Door Closing

Your wine cellar has four leveling legs. If your wine cellar seems unsteady or you want the door to close more easily, adjust the wine cellar’s tilt using the instructions below.

⚠️ WARNING



Electrical Shock Hazard

- Plug into a grounded 3 prong outlet.**
- Do not remove ground prong.**
- Do not use an adapter.**
- Do not use an extension cord.**
- Failure to follow these instructions can result in death, fire, or electrical shock.**

1. Plug into a grounded 3 prong outlet.

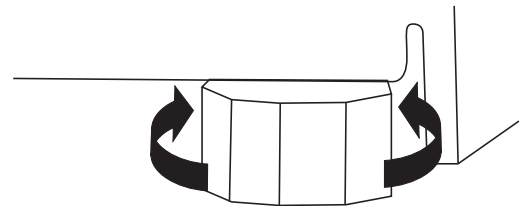
⚠️ WARNING

Excessive Weight Hazard

Use two or more people to move and install wine cellar.
Failure to do so can result in back or other injury.

2. Move the wine cellar into its final location.
3. Turn the leveling legs to the right to lower the wine cellar or turn the leveling legs to the left to raise it. It may take several turns of the leveling legs to adjust the tilt of the wine cellar.

NOTE: Having someone push against the top of the wine cellar takes some weight off the leveling legs. This makes it easier to adjust the leveling legs.



4. Open the door and check that it closes as easily as you like. If not, tilt the wine cellar slightly more to the rear by turning both front leveling screws to the left. It may take several more turns, and you should turn both leveling legs the same amount.

Wine Cellar Doors

Tool Needed: #2 Phillips screwdriver

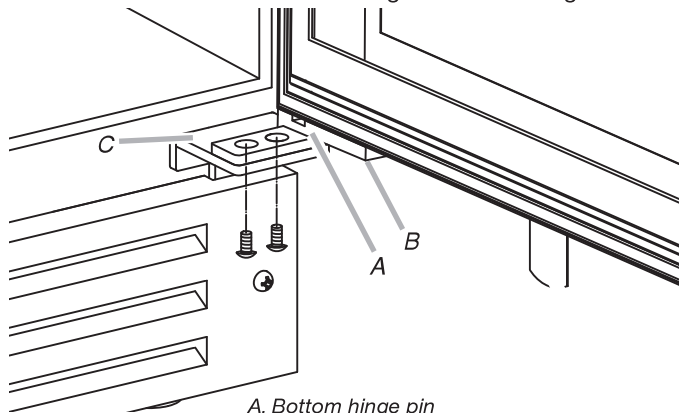
Remove Door and Hinges

1. Open the door to a 90° angle and remove the screws for the bottom door hinge.
2. Remove the door by pulling it forward and away from the wine cellar.
3. Remove the three screws from the top hinge and remove the hinge.

Reverse Door Swing (optional)

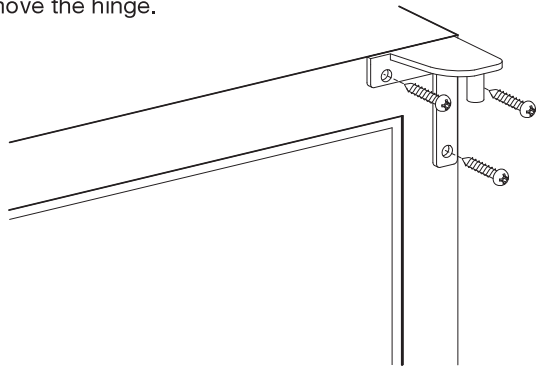
NOTE: There are two hinges for reverse door installation, one for a right-hand door swing and one for a left-hand door swing. Install the top hinge designed for the desired door swing.

1. Remove the two screws attaching the bottom hinge to door.

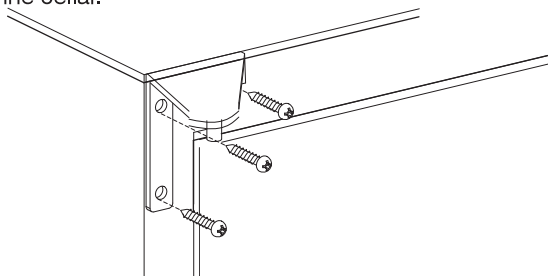


A. Bottom hinge pin
B. Door stop
C. Bottom hinge

2. Remove the door by lifting it up and then pulling it away from the wine cellar.
3. Remove the three decorative screws from the upper left corner of the front of the wine cellar.
4. Remove the three screws from the right top hinge, and then remove the hinge.

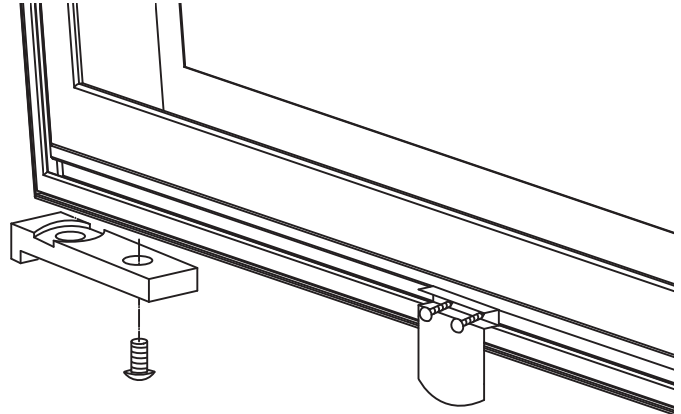


5. Using the three screws removed in the previous step, attach the left top hinge to the upper-left corner on the front of the wine cellar.



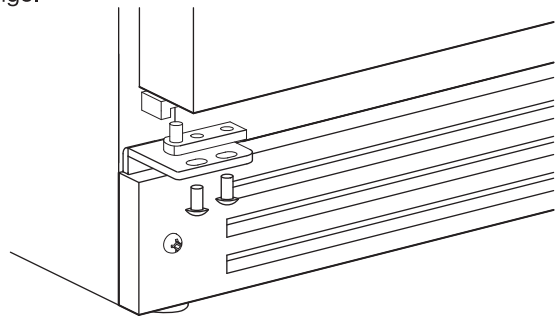
NOTE: The left hinge is included in the bag with the Use and Care Guide.

6. Insert the three decorative screws removed in Step 3 into the three holes in the upper right corner of the front of the wine cellar.
7. Remove the screws for the mechanical switch and door stop; remove the mechanical switch and door stop. Attach the mechanical switch and door stop to the reverse side of the door.

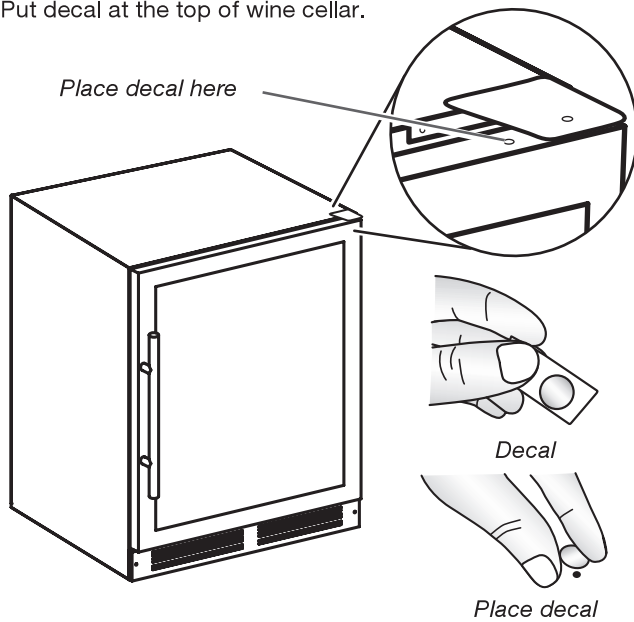


NOTE: The screws for the mechanical door switch are located behind the seal. Remove the seal first, and then remove the mechanical door switch screws. After reattaching the mechanical door switch, place the seal in the original position.

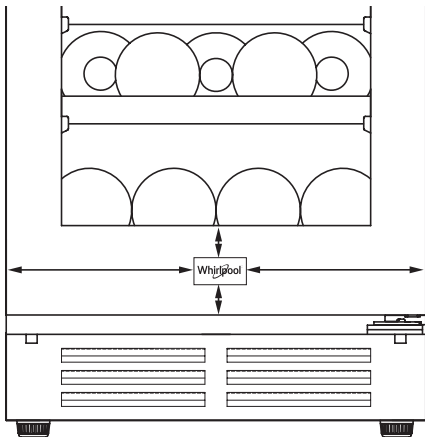
8. Remove Whirlpool badge. (Only models: WUW55X15HS & WUW55X24HS)
9. Attach the bottom hinge to the reverse side of the door, and then flip the door 180° so that the hinge is now on the bottom of the door.
10. Insert the top corner of the door into the top hinge pin and reinstall the door on the wine cellar.
11. Press the door and the bottom hinge pin onto the bottom hinge.



12. Put decal at the top of wine cellar.



13. After you change door (left hinge), place Whirlpool badge at bottom of wine cellar. (Only models: WUW55X15HS & WUW55X24HS)
NOTE: The decal & Whirlpool badge are included in the bag with Use and Care Guide.



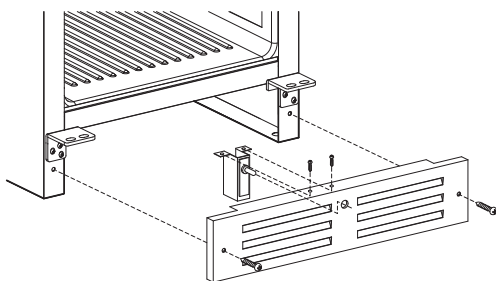
14. Check the alignment of the door and the door seals.
 15. Tighten the hinge screws (as necessary).

Base Grille

You must remove the base grille to access the condenser coils for cleaning.

To Remove the Base Grille:

1. Open the wine cellar door.
2. Using a Phillips screwdriver, remove the two screws from the base grille.
3. Remove the two screws holding the mechanical switch to the grille.



4. Remove the base grille.

To Replace the Base Grille:

1. Open the wine cellar door.
2. Reattach the mechanical switch using the two sensor screws.
3. Replace the two base grill screws. Tighten the screws.

Handle Assembly

NOTE: Only for models WUW55X15HS & WUW55X24HS.

⚠ WARNING

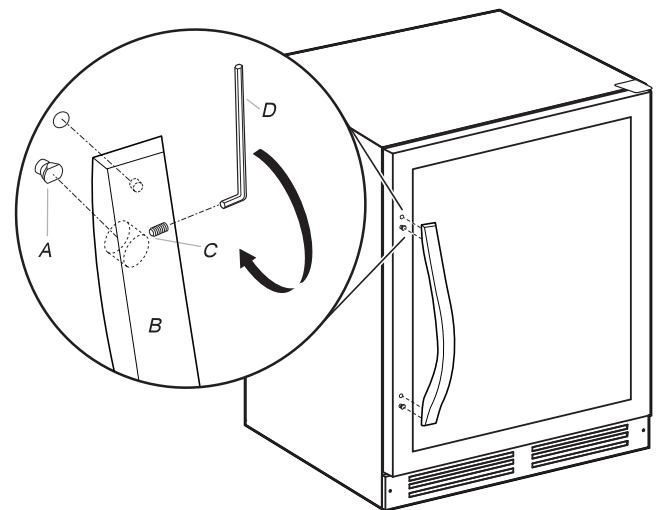
Excessive Weight Hazard

**Use two or more people to move and install wine cellar.
 Failure to do so can result in back or other injury.**

Helpful Tip: Put cardboard under wine cellar until it is installed in cabinet opening. The cardboard will help avoid damage to floor covering during installation.

NOTES:

- To ease installation, using two or more people, place wine cellar on its back.
 - To avoid scratching the front panel, place a soft cloth or towel against the panel while installing the door handle.
 - Setscrews are preinstalled in the handle.
1. Remove the door handle and hardware bag containing the hex key from the bubble pouch.
 2. Place the handle on the mounting studs. The setscrews should face down when installed correctly. If the handle is installed upside down, proper installation will not be possible.
 3. Push the door handle tightly against the door.
 4. Insert the short end of the hex key into the setscrew and tighten $\frac{1}{4}$ turn past snug. Setscrew will not be recessed into the handle.
 5. Repeat Step 4 for other setscrew.
 6. Keep the hex key with the Installation Instructions.
- NOTE:** The handle installation procedure should take less than 5 minutes.



A. Mounting stud
 B. Door handle

C. Setscrew
 D. Hex key

WINE CELLAR USE

Normal Sounds

Your new wine cellar may make sounds that your old one didn't make. Because the sounds are new to you, you might be concerned about them. Most of the new sounds are normal. Hard surfaces, such as the flooring and surrounding structures, can make the sounds seem louder. The following describes the kinds of sounds and what may be making them.

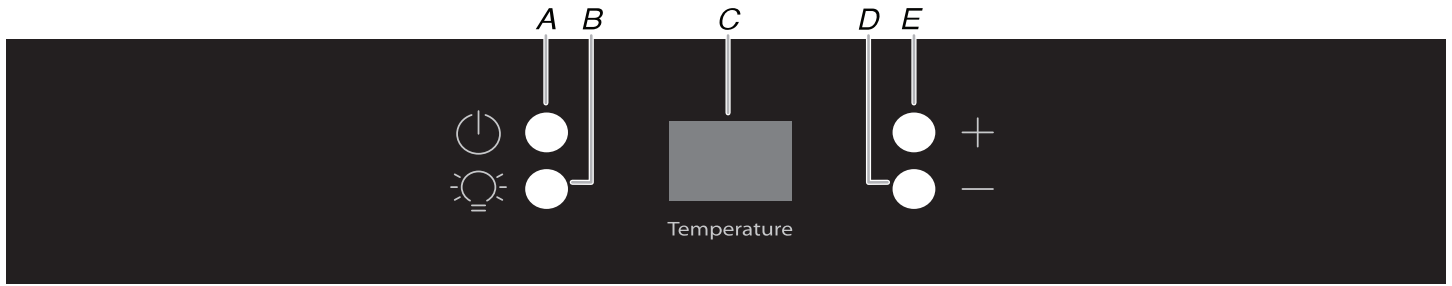
- Your wine cellar is designed to run more efficiently to keep your wine at the desired temperatures and to minimize energy usage. The high-efficiency compressor and fans may cause your wine cellar to run longer than your old one. You may also hear a pulsating or high-pitched sound from the compressor or fans adjusting to optimize performance.

- Rattling noises may come from the flow of refrigerant or items stored inside the wine cellar.
- As each cycle ends, you may hear a gurgling sound due to the refrigerant flowing in your wine cellar.
- You may hear water running into the drain pan when the wine cellar is defrosting.
- You may hear clicking sounds when the wine cellar starts or stops running.

Using the Control

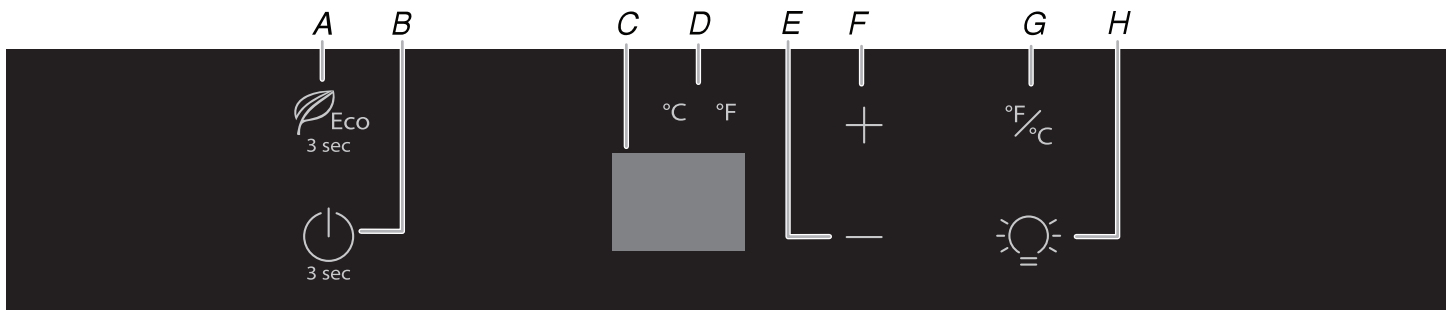
For Style 1 and Style 2 models, the control for these models is located at the top front of the wine cellar compartment. Default temperatures are in °F.

Style 1: Models WUW35X15DS and WUW35X24DS



- A. Power
- B. Light
- C. Compartment display
- D. Decrease temperature
- E. Increase temperature

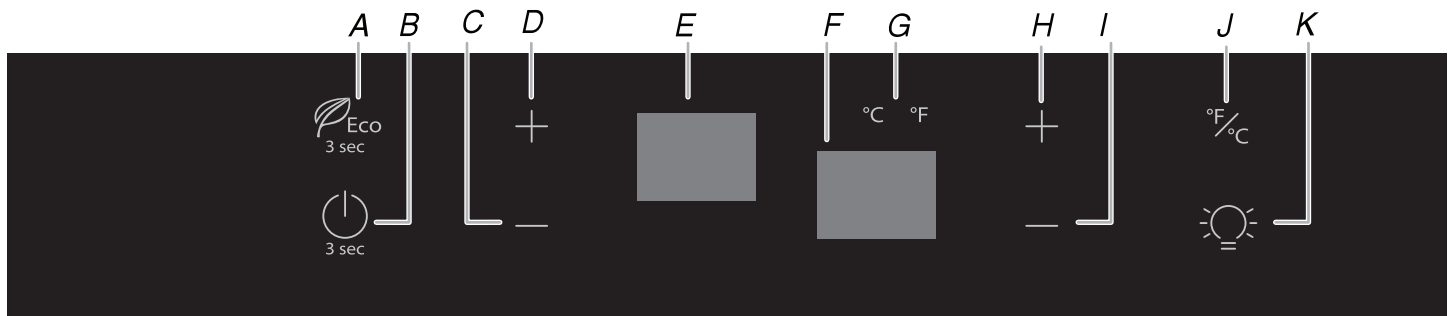
Style 2: Model WUW55X15HS



- A. Eco mode
- B. Power
- C. Compartment display
- D. Temperature indicator
- E. Decrease temperature
- F. Increase temperature
- G. F/C Control
- H. Light

Style 3: Model WUW55X24HS

The control for this model is located in the middle of the wine cellar compartment.



A. Eco mode

B. Power

C. Decrease temperature (upper compartment)

D. Increase temperature (upper compartment)

E. Upper compartment display

F. Lower compartment display

G. Temperature indicator

H. Increase temperature (lower compartment)

I. Decrease temperature (lower compartment)

J. F/C Control

K. Light

Controls

For your convenience, your wine cellar control is preset at the factory.

For single-compartment models (WUW35X15DS, WUW35X24DS, WUW55X15HS), the preset temperature is 54°F (12°C). For the two-compartment model (WUW55X24HS), the preset temperature for the upper compartment is 45°F (7°C) and the preset temperature for the lower compartment is 54°F (12°C).

- When the power is on, the temperature display shows the set point temperature of the compartment(s).
- Wait 24 hours for your wine cellar to cool completely before adding wine.

NOTE: Adjusting the wine cellar temperature control to a colder than the recommended setting will not cool the compartments any faster.

Turn Wine Cellar On/Off:

- Press the Power button/touch pad on your wine cellar for 3 seconds to turn on the wine cellar cooling system.
- Press and hold the Power button/touch pad again to turn off the wine cellar cooling system. A 3-second countdown will show in the compartment display. The Light button/touch pad will operate to turn the light on and off within the wine cellar compartment.

Increasing and Decreasing Compartment Temperature:

- Press the Increase Temperature button/touch pad until the desired temperature is reached in the desired compartment, displayed in the compartment display(s).
- Press the Decrease Temperature button/touch pad until the desired temperature is reached in the desired compartment, displayed in the compartment display(s).

Turn Light On/Off:

- Press Light button/touch pad to turn the light on and off within wine cellar compartment. The wine cellar will remain illuminated for 10 minutes (even when door is closed) when the light is turned on. When the light is turned off, the wine cellar compartment will be illuminated when the door is open. The light will turn off when the door is closed.

Change Temperature Setting (on some models):

- For models with °F/°C control button/touch pad, press the °F/°C Control button/touch pad to switch from Fahrenheit to Celsius or Celsius to Fahrenheit. The °F or °C on the Temperature Indicator touch pad will illuminate to indicate which temperature setting is currently in use.
- For models without °F/°C Control button/touch pad, press and hold the Decrease Temperature and Increase Temperature buttons/touch pads for 3 seconds. A 3-second countdown will display.

Using Eco Mode (on some models):

When Eco mode is activated, the compartment display light will turn off when the door is closed. When the wine cellar door is opened, the light will stay on until the door is closed. The Light button/touch pad and °F/°C control button/touch pad will operate normally.

- To activate Eco mode, press and hold the Eco mode button for 3 seconds. A 3-second countdown will display.
- To deactivate Eco mode, press and hold the Eco mode button for 3 seconds. A 3-second countdown will display and the wine cellar will return to normal operation.

Adjusting the Control:

If you need to adjust the temperature, wait at least 24 hours between adjustments and then recheck the temperature.

To make the wine cellar colder, adjust the setting to a lower temperature. To make the wine cellar less cold, adjust the setting to a higher temperature.

NOTE: On some models, adjusting the temperature control raises or lowers the temperature in the corresponding compartments, but not both compartments.

Temperature Separator (Temperature Display) (on some models)

The temperature separator displays the current temperatures (Fahrenheit or Celsius) for the upper and lower compartments of the wine cellar. To adjust the temperature settings, see “Adjusting the Control” earlier in this section.

Recommended Storing Locations (on some models)

For best storing and serving temperatures for your bottle of wine, use the wine producer's recommended temperature setting. See the wine's label for details. It is recommended to store wine for short-term (few months) at 55°F (13°C).

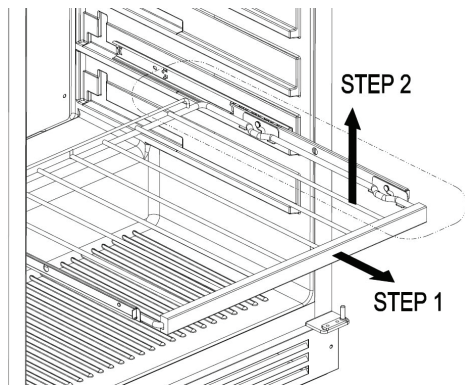
WINES	COMPARTMENT
White Wine	Upper compartment
Lighter Red Wine	Lower compartment
Red Wine	Lower compartment

Wine Racks

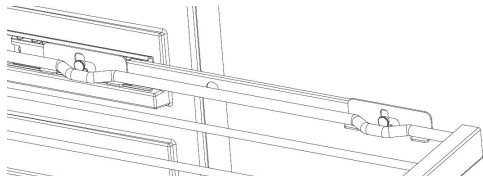
Remove and Replace the Top and Middle Racks

To Remove Racks:

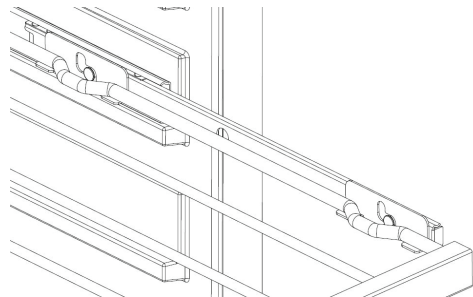
1. Pull the rack forward until it stops.



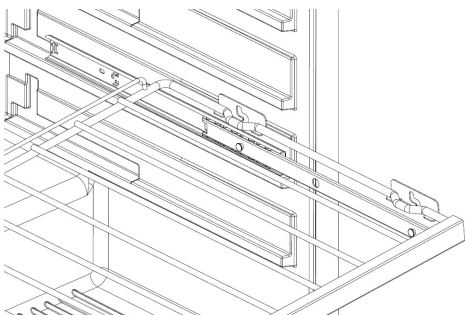
2. Lift up one side of the rack and hold onto the rack.



3. Pull the slide rail forward and push the rack toward the compartment the same time. The bracket support pins will move forward.



4. Lift the rack up again to clear the shelf brackets from the bracket support pins.



5. Remove the racks other side and repeat steps 1 through 4.

To Replace Racks:

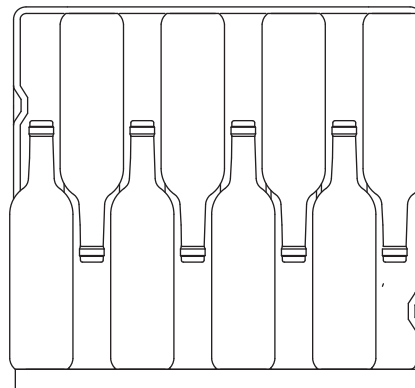
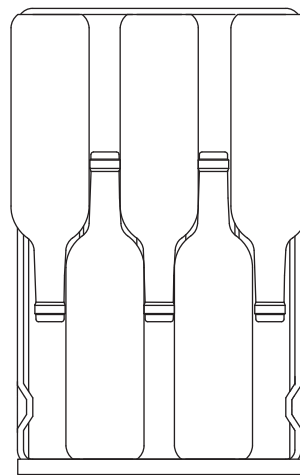
1. Insert the rack into the compartment and slide it toward the rear of the wine cellar.
2. Align the bracket support pins with the holes in the shelf brackets.
3. Pull the rack forward and push the slide rail toward the compartment at the same time until the bracket support pins are properly in place.

Stocking the Wine Cellar

NOTE: For optimum wine storage, place white wines at the top of the wine cellar, light red wines in the center, and red wines at the bottom.

To Stock the Wine Cellar

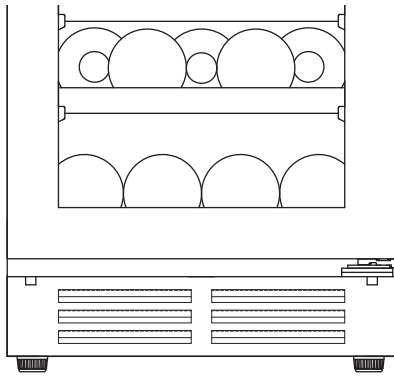
1. Start stocking the wine cellar with the bottom display rack.
2. Starting on the left-hand side, place the first bottle in the rack on its side with the neck of the bottle facing the front of the wine cellar.



Front of rack

3. Place the next bottle on its side with the neck of the bottle facing the back of the wine cellar.
4. Alternate in this manner until the display rack is full.
5. Push the rack all the way in before pulling the next one forward.
6. Pull the next rack forward and repeat steps 2 through 4; repeat for remaining racks.

7. To stock the bottom of the wine cellar, place bottles in the grooves on the bottom of the wine cellar with the necks of the bottles facing the back of the wine cellar.



Lighting the Wine Cellar

The refrigerator has an interior light that comes on any time the door is opened. Refer to the “Using the Controls” section for options on controlling the interior light.

NOTE: The light is an LED which does not need to be replaced. If the LED does not illuminate when the door is opened, call Service to replace the light. See “Assistance or Service” for contact information.

WINE CELLAR CARE

Cleaning

! WARNING



Explosion Hazard

Use nonflammable cleaner.

Failure to do so can result in death, explosion, or fire.

Clean the wine cellar about once a month to avoid buildup of odors. Wipe up spills immediately.

To Clean Your Wine Cellar:

1. Unplug wine cellar or disconnect power.
2. Remove all racks from inside the wine cellar.
3. Clean the interior.

Style 1 - Models with stainless steel trim

Using a clean sponge or soft cloth and a mild detergent dissolved in warm water, hand wash and rinse thoroughly the removable parts and interior surfaces. Dry with a soft cloth.

Style 2 - Models with wooden trim

IMPORTANT: To avoid damaging wooden trim pieces, wipe the trim with a clean sponge or soft cloth and warm water. Do not use detergent or immerse the entire rack into water when cleaning.

Using a clean sponge or soft cloth and a mild detergent dissolved in warm water, hand wash and rinse thoroughly the removable parts and interior surfaces. Dry with a soft cloth.

- Do not use abrasive or harsh cleaners such as window sprays, scouring cleansers, flammable fluids, cleaning waxes, concentrated detergents, bleaches or cleansers containing petroleum products on plastic parts, interior and door liners or gaskets. Do not use paper towels, scouring pads, or other harsh cleaning tools. These can scratch or damage materials.
- To help remove odors, you can wash interior walls with a mixture of warm water and baking soda (2 tbs to 1 qt [26 g to 0.95 L] of water).

- Wash stainless steel and painted metal exteriors with a clean sponge or soft cloth and a mild detergent in warm water. Do not use abrasive or harsh cleaners or cleaners containing chlorine. These can scratch or damage materials. Dry thoroughly with a soft cloth.

NOTE: To keep your stainless steel wine cellar looking like new and to remove minor scuffs or marks, it is suggested that you use the manufacturer's approved Stainless Steel Cleaner and Polish. To order the cleaner, see "Accessories."

IMPORTANT: This cleaner is for stainless steel parts only. Do not allow the Stainless Steel Cleaner and Polish to come into contact with any plastic parts such as the trim pieces, dispenser covers, or door gaskets. If unintentional contact does occur, clean plastic part with a sponge and mild detergent in warm water. Dry thoroughly with a soft cloth.

- Replace the racks.
- Clean the condenser coils regularly. They are located behind the base grille. Coils may need to be cleaned as often as every other month. This may help save energy.
 - Remove the base grille. See "Base Grille."
 - Use a vacuum cleaner with an extended attachment to clean the condenser coils when they are dusty or dirty.
 - Replace the base grille.
- Plug in wine cellar or reconnect power.

Vacation and Moving Care

Vacations

If you choose to turn the wine cellar off before you leave, follow these steps.

- Remove all wine bottles from the wine cellar.
- Unplug the wine cellar.
- Clean the wine cellar. See "Cleaning."
- Tape a rubber or wood block to the top of the door to prop it open far enough for air to get in. This stops odor and mold from building up.

Moving

When you are moving your wine cellar to a new home, follow these steps to prepare it for the move.

- Remove all wine bottles from the wine cellar.
- Unplug the wine cellar.
- Clean, wipe, and dry it thoroughly.
- Take out all removable parts, wrap them well, and tape them together so they don't shift and rattle during the move.
- Tape the doors shut and tape the power cord to the wine cellar.

When you get to your new home, put everything back and refer to the "Installation Instructions" section for preparation instructions.

TROUBLESHOOTING

Try the solutions suggested here first in order to avoid the cost of an unnecessary service call.

Your wine cellar will not operate

⚠ WARNING



Electrical Shock Hazard

Plug into a grounded 3 prong outlet.

Do not remove ground prong.

Do not use an adapter.

Do not use an extension cord.

Failure to follow these instructions can result in death, fire, or electrical shock.

- Is the power supply cord unplugged? Plug into a grounded 3 prong outlet.
- Has a household fuse blown or has a circuit breaker tripped? Replace the fuse or reset the circuit.
- Is the Wine Cellar Control turned to the Off position? See "Using the Control."

The lights do not work

- Is the power supply cord unplugged? Plug into a grounded 3 prong outlet.
- Your wine cellar is equipped with LED lighting which does not need to be replaced. If there is power to the wine cellar and the lights do not illuminate when the door is opened, call for service or assistance.

The motor seems to run too much

- Is the temperature outside hotter than normal? Expect the motor to run longer under warm conditions. At normal temperatures, expect your motor to run about 40% to 80% of the time. Under warmer conditions, expect it to run even more of the time.
- Is the door opened often? Expect the motor to run longer when this occurs. In order to conserve energy, try to get everything you need out of the wine cellar at once, keep wine bottles positioned label side up so that they are easy to find, and close the door as soon as the wine is removed.
- Is the control set correctly for the surrounding conditions? See "Using the Control."
- Is the door closed completely? Push the door firmly shut. If it will not shut all the way, see "The door will not close completely" later in this section.
- Are the condenser coils dirty? This obstructs air transfer and makes the motor work harder. Clean the condenser coils. See "Cleaning."

Temperature is too warm

- **Is the door opened often?** Be aware that the wine cellar will become warm when this occurs. In order to keep the wine cellar cool, try to get everything you need out of the wine cellar at once, keep wine bottles positioned label side up so that they are easy to find, and close the door as soon as the wine is removed.
- **Is the control set correctly for the surrounding conditions?** See “Using the Control.”
- **Is the base grille blocked?** For best performance, do not install the wine cellar behind a cabinet door or block the base grille.

There is interior moisture buildup

- **Is the door opened often?** To avoid humidity buildup, try to get everything you need out of the wine cellar at once, keep wine bottles positioned label side up so that they are easy to find, and close the door as soon as the wine is removed. When the door is opened, humidity from the room air enters the wine cellar. The more often the door is opened, the faster humidity builds up, especially when the room itself is very humid.
- **Is it humid?** It is normal for moisture to build up inside the wine cellar when the air is humid.
- **Is the control set correctly for the surrounding conditions?** See “Using the Control.”

The door is difficult to open

WARNING



Explosion Hazard

Use nonflammable cleaner.

Failure to do so can result in death, explosion, or fire.

-
- **Is the gasket dirty or sticky?** Clean the gasket and the surface that it touches. Rub a thin coat of paraffin wax on the gasket following cleaning.

The door will not close completely

- **Are the racks out of position?** Put the racks back into their correct positions. See “Wine Cellar Use” for more information.

WARNING



Explosion Hazard

Use nonflammable cleaner.

Failure to do so can result in death, explosion, or fire.

- **Is the gasket sticking?** Clean the gasket and the surface that it touches. Rub a thin coat of paraffin wax on the gasket following cleaning.
- **Is the door installed properly?** If the door was reversed improperly, re-installation may be required. See “Reverse Door Swing.”

ASSISTANCE OR SERVICE

Before calling for assistance or service, please check "Troubleshooting." It may save you the cost of a service call. If you still need help, follow the instructions below.

When calling, please know the purchase date and the complete model and serial numbers of your appliance. This information will help us to better respond to your request.

If You Need Replacement Parts

If you need to order replacement parts, we recommend that you only use factory specified replacement parts. Factory specified replacement parts will fit right and work right because they are made with the same precision used to build every new Whirlpool® appliance.

To locate factory specified replacement parts in your area, call us or your nearest designated service center.

In the U.S.A.

Call the Whirlpool Customer eXperience Center toll free: **1-800-253-1301**.

Our Consultants Provide Assistance With:

- Features and specifications on our full line of appliances.
- Installation information.
- Use and maintenance procedures.
- Accessory and repair parts sales.
- Specialized customer assistance (Spanish speaking, hearing impaired, limited vision, etc.).
- Referrals to local dealers, repair parts distributors, and service companies. Whirlpool designated service technicians are trained to fulfill the product warranty and provide after-warranty service, anywhere in the United States.

To locate the Whirlpool designated service company in your area, you can also look in your telephone directory Yellow Pages.

For Further Assistance

If you need further assistance, you can write to Whirlpool with any questions or concerns at:

Whirlpool Brand Home Appliances
Customer eXperience Center
553 Benson Road
Benton Harbor, MI 49022-2692

Please include a daytime phone number in your correspondence.

In Canada

Call the Whirlpool Canada Customer eXperience Centre toll free: **1-800-807-6777** or visit our website at www.whirlpool.ca.

Our Consultants Provide Assistance With:

- Scheduling of Service. Whirlpool designated service technicians are trained to fulfill the product warranty and provide after-warranty service anywhere in Canada.
- Features and specifications on our full line of appliances.
- Referrals to local dealers.
- Use and maintenance procedures.
- Accessory and repair parts sales.

For Further Assistance

If you need further assistance, you can write to Whirlpool Canada with any questions or concerns at:

Whirlpool Brand Home Appliances
Customer eXperience Centre
200 - 6750 Century Ave.
Mississauga, Ontario L5N 0B7

Please include a daytime phone number in your correspondence.

Accessories

The following accessory is available for your wine cooler. To order accessory, contact us and ask for the part number.

In the U.S.A., visit our webpage www.whirlpool.com/accessories or call **1-800-253-1301**.

In Canada, visit our webpage www.whirlpoolparts.ca or call **1-800-807-6777**.

Stainless Steel Cleaner & Polish

Order Part #4396095

WHIRLPOOL® REFRIGERATION LIMITED WARRANTY

ATTACH YOUR RECEIPT HERE. PROOF OF PURCHASE IS REQUIRED TO OBTAIN WARRANTY SERVICE.

Please have the following information available when you call the Customer eXperience Center:

- Name, address and telephone number
- Model number and serial number
- A clear, detailed description of the problem
- Proof of purchase including dealer or retailer name and address

IF YOU NEED SERVICE:

1. Before contacting us to arrange service, please determine whether your product requires repair. Some questions can be addressed without service. Please take a few minutes to review the Troubleshooting or Problem Solver section of the Use and Care Guide, scan the QR code on the right to access additional resources, or visit www.whirlpool.com/product_help.
2. All warranty service is provided exclusively by our authorized Whirlpool Service Providers. In the U.S. and Canada, direct all requests for warranty service to:



Whirlpool Customer eXperience Center

In the U.S.A., call 1-800-253-1301. In Canada, call 1-800-807-6777.

www.whirlpool.com/product_help

If outside the 50 United States or Canada, contact your authorized Whirlpool dealer to determine whether another warranty applies.

FIVE YEAR LIMITED WARRANTY

WHAT IS COVERED

LIMITED WARRANTY

For one year from the date of purchase, when this major appliance is installed, operated and maintained according to instructions attached to or furnished with the product, Whirlpool Corporation or Whirlpool Canada LP (hereafter "Whirlpool") will pay for Factory Specified Replacement Parts and repair labor to correct defects in materials or workmanship that existed when this major appliance was purchased, or at its sole discretion replace the product. In the event of product replacement, your appliance will be warranted for the remaining term of the original unit's warranty period.

SECOND THROUGH FIFTH YEAR LIMITED WARRANTY ON CAVITY LINER AND SEALED REFRIGERATION SYSTEM

In the second through fifth years from the date of purchase, when this major appliance is installed, operated and maintained according to the instructions attached to or furnished with the product, Whirlpool brand will pay for factory specified replacement parts and repair labor for the following components to correct non-cosmetic defects in materials and workmanship in this part that prevent function of the refrigerator and that existed when this major appliance was purchased:

- Refrigerator/freezer cavity liner if the part cracks due to defective materials or workmanship.
- Sealed Refrigeration system (includes compressor, evaporator, condenser, dryer and connecting tubing).

YOUR SOLE AND EXCLUSIVE REMEDY UNDER THIS LIMITED WARRANTY SHALL BE PRODUCT REPAIR AS PROVIDED HEREIN. Service must be provided by a Whirlpool designated service company. This limited warranty is valid only in the United States or Canada and applies only when the major appliance is used in the country in which it was purchased. This limited warranty is effective from the date of original consumer purchase. Proof of original purchase date is required to obtain service under this limited warranty.

WHAT IS NOT COVERED

1. Commercial, non-residential or multiple-family use, or use inconsistent with published user, operator or installation instructions.
2. In-home instruction on how to use your product.
3. Service to correct improper product maintenance or installation, installation not in accordance with electrical or plumbing codes or correction of household electrical or plumbing (i.e. house wiring, fuses or water inlet hoses).
4. Consumable parts (i.e. light bulbs, batteries, air or water filters, preservation solutions, etc.).
5. Defects or damage caused by the use of non-genuine Whirlpool parts or accessories.
6. Damage from accident, misuse, abuse, fire, floods, acts of God or use with products not approved by Whirlpool.
7. Repairs to parts or systems to correct product damage or defects caused by unauthorized service, alteration or modification of the appliance.
8. Cosmetic damage including scratches, dents, chips, and other damage to the appliance finishes unless such damage results from defects in materials and workmanship and is reported to Whirlpool within 30 days.
9. Discoloration, rust or oxidation of surfaces resulting from caustic or corrosive environments including but not limited to high salt concentrations, high moisture or humidity or exposure to chemicals.
10. Food or medicine loss due to product failure.
11. Pick-up or delivery. This product is intended for in-home repair.
12. Travel or transportation expenses for service in remote locations where an authorized Whirlpool servicer is not available.
13. Removal or reinstallation of inaccessible appliances or built-in fixtures (i.e. trim, decorative panels, flooring, cabinetry, islands, countertops, drywall, etc.) that interfere with servicing, removal or replacement of the product.
14. Service or parts for appliances with original model/serial numbers removed, altered or not easily determined.

The cost of repair or replacement under these excluded circumstances shall be borne by the customer.

DISCLAIMER OF IMPLIED WARRANTIES

IMPLIED WARRANTIES, INCLUDING ANY IMPLIED WARRANTY OF MERCHANTABILITY OR IMPLIED WARRANTY OF FITNESS FOR A PARTICULAR PURPOSE, ARE LIMITED TO ONE YEAR OR THE SHORTEST PERIOD ALLOWED BY LAW. Some states and provinces do not allow limitations on the duration of implied warranties of merchantability or fitness, so this limitation may not apply to you. This warranty gives you specific legal rights, and you also may have other rights that vary from state to state or province to province.

DISCLAIMER OF REPRESENTATIONS OUTSIDE OF WARRANTY

Whirlpool makes no representations about the quality, durability, or need for service or repair of this major appliance other than the representations contained in this warranty. If you want a longer or more comprehensive warranty than the limited warranty that comes with this major appliance, you should ask Whirlpool or your retailer about buying an extended warranty.

LIMITATION OF REMEDIES; EXCLUSION OF INCIDENTAL AND CONSEQUENTIAL DAMAGES

YOUR SOLE AND EXCLUSIVE REMEDY UNDER THIS LIMITED WARRANTY SHALL BE PRODUCT REPAIR AS PROVIDED HEREIN. WHIRLPOOL SHALL NOT BE LIABLE FOR INCIDENTAL OR CONSEQUENTIAL DAMAGES. Some states and provinces do not allow the exclusion or limitation of incidental or consequential damages, so these limitations and exclusions may not apply to you. This warranty gives you specific legal rights, and you also may have other rights that vary from state to state or province to province.

SEGURIDAD DE LA BODEGA

Su seguridad y la seguridad de los demás es muy importante.

Hemos incluido muchos mensajes importantes de seguridad en este manual y en su electrodoméstico. Lea y obedezca siempre todos los mensajes de seguridad.



Este es el símbolo de alerta de seguridad.

Este símbolo le llama la atención sobre peligros potenciales que pueden ocasionar la muerte o una lesión a usted y a los demás.

Todos los mensajes de seguridad irán a continuación del símbolo de advertencia de seguridad y de la palabra "PELIGRO" o "ADVERTENCIA". Estas palabras significan:

⚠ PELIGRO

Si no sigue las instrucciones de inmediato, usted puede morir o sufrir una lesión grave.

⚠ ADVERTENCIA

Si no sigue las instrucciones, usted puede morir o sufrir una lesión grave.

Todos los mensajes de seguridad le dirán el peligro potencial, le dirán cómo reducir las posibilidades de sufrir una lesión y lo que puede suceder si no se siguen las instrucciones.

INSTRUCCIONES IMPORTANTES DE SEGURIDAD

ADVERTENCIA: Para reducir el riesgo de incendio, choque eléctrico, o lesiones personales al usar su bodega, siga estas precauciones básicas:

- Conecte a un contacto de pared de conexión a tierra de 3 terminales.
- No quite la terminal de conexión a tierra.
- No use un adaptador.
- No use un cable eléctrico de extensión.
- Desconecte el suministro de energía antes de darle servicio.
- Vuelva a colocar todos los componentes y paneles antes de hacerlo funcionar.
- Remueva las puertas de su bodega vieja.
- Use un limpiador no inflamable.
- Mantenga los materiales y vapores inflamables, tales como gasolina, alejados de la bodega.
- Use dos o más personas para mover e instalar la bodega.

GUARDE ESTAS INSTRUCCIONES

Advertencias de la Proposición 65 del estado de California:

ADVERTENCIA: Este producto contiene una o más sustancias químicas identificadas por el estado de California como causantes de cáncer.

ADVERTENCIA: Este producto contiene una o más sustancias químicas identificadas por el estado de California como causantes de defectos congénitos o algún otro tipo de daños en la función reproductora.

Cómo deshacerse adecuadamente de su bodega vieja

⚠ ADVERTENCIA

Peligro de Asfixia

Remueva las puertas de su bodega vieja.

No seguir esta instrucción puede ocasionar la muerte o daño al cerebro.

Antes de descartar su vieja bodega:

- Saque la puerta.
- Deje los portabotellas en su lugar así los niños no pueden meterse adentro con facilidad.



IMPORTANTE: El atrapamiento y asfixia de niños no es un problema del pasado. Las bodegas tiradas y abandonadas son un peligro, aún si van a quedar ahí "por unos pocos días". Si Ud. está por deshacerse de su bodega vieja, por favor siga las instrucciones que se dan a continuación para prevenir accidentes.

Información importante para saber acerca del desecho de refrigerantes:

Deshágase del refrigerador siguiendo los reglamentos federales y locales. Los refrigerantes deberán ser evacuados por un técnico certificado en refrigeración por EPA (Agencia de protección del medioambiente) según los procedimientos establecidos.

REQUISITOS DE INSTALACIÓN

Herramientas

Herramienta necesaria

Reúna la herramienta necesaria antes de comenzar la instalación.

- Destornillador Phillips

Requisitos de ubicación

⚠ ADVERTENCIA



Peligro de Explosión

Mantenga los materiales y vapores inflamables, tales como gasolina, alejados de la bodega.

No seguir esta instrucción puede ocasionar la muerte, explosión, o incendio.

NOTAS:

- No se recomienda instalar la bodega cerca de un horno, radiador u otra fuente de calor.
- No lo instale en un lugar donde la temperatura pueda ser menor de 55 °F (13 °C). Para obtener un funcionamiento óptimo, no instale la bodega detrás de la puerta de un armario ni bloquee la rejilla de la base.

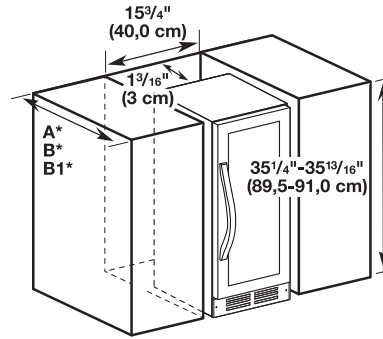
Medidas de la abertura

- Las medidas de altura se muestran con las patas niveladoras extendidas a la altura mínima.

NOTA: Cuando las patas niveladoras están totalmente extendidas, agregue 5/8" (15 mm) a la altura.

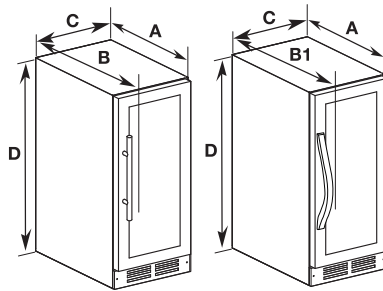
- Si el piso de la abertura no está nivelado con el piso de la cocina, ponga calzas en la abertura para que quede nivelado con el piso de la cocina.

Modelos de 15"



Dimensiones de profundidad	
A*	24 ⁷ / ₈ " (63,2 cm) - sin manija
B*	26 ⁵ / ₈ " (67,7 cm) - WUW35X15DS
B1*	26 ⁷ / ₈ " (68,2 cm) - WUW55X15HS

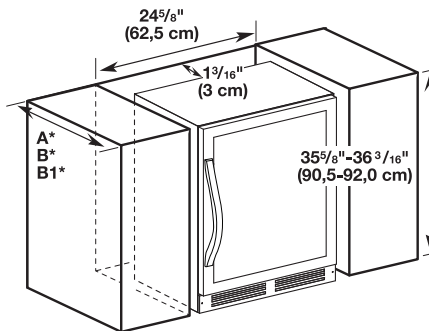
WUW35X15DS WUW55X15HS



Dimensiones	
A	21 ⁷ / ₈ " (55,5 cm)
B	25 ¹ / ₂ " (64,7 cm)
B1	25 ¹¹ / ₁₆ " (65,2 cm)
C	15" (38,0 cm)
D	34 ¹ / ₁₆ " - 34 ⁵ / ₈ " (86,5 cm - 88,0 cm)

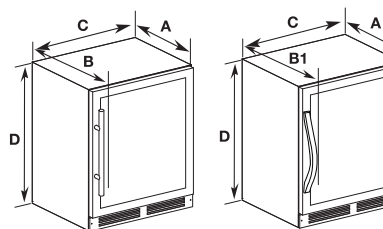
NOTA: Espacio de 10⁵/₈" (27 cm) requerido para permitir la extensión de la parrilla completa.

Modelos de 24"



Dimensiones de profundidad	
A*	24 ⁷ / ₈ " (63,2 cm) - sin manija
B*	26 ⁵ / ₈ " (67,7 cm) - WUW35X24DS
B1*	26 ⁷ / ₈ " (68,2 cm) - WUW55X24HS

WUW35X24DS WUW55X24HS



Dimensiones	
A	21 ⁷ / ₈ " (55,5 cm)
B	25 ¹ / ₂ " (64,7 cm)
B1	25 ¹¹ / ₁₆ " (65,2 cm)
C	23 ¹³ / ₁₆ " (60,5 cm)
D	34 ⁷ / ₁₆ " - 35" (87,5 cm - 89,0 cm)

NOTA: Espacio de 16¹/₈" (41 cm) is requerido para permitir la extensión de la parrilla completa.

Requisitos eléctricos

⚠️ ADVERTENCIA



Peligro de Choque Eléctrico

Conecte a un contacto de pared de conexión a tierra de 3 terminales.

No quite la terminal de conexión a tierra.

No use un adaptador.

No use un cable eléctrico de extensión.

No seguir estas instrucciones puede ocasionar la muerte, incendio o choque eléctrico.

Antes de mover la bodega a su ubicación final, es importante asegurarse de que tiene la conexión eléctrica adecuada.

Método de conexión a tierra recomendado

Se requiere una fuente de energía eléctrica de 115 Voltios, 60 Hz., CA solamente y con fusibles de 15 ó 20 amperios, debidamente conectada a tierra. Se recomienda que use un circuito separado sólo para su bodega. Use un tomacorriente que no se pueda apagar con un interruptor. No use un cable eléctrico de extensión.

NOTA: Antes de realizar cualquier tipo de instalación, limpieza o de quitar un foco de luz, desenchufe la bodega o desconecte la fuente de energía.

INSTRUCCIONES DE INSTALACIÓN

Desempaque de la bodega

⚠️ ADVERTENCIA

Peligro de Peso Excesivo

Use dos o más personas para mover e instalar la bodega.

No seguir esta instrucción puede ocasionar una lesión en la espalda u otro tipo de lesiones.

Cómo quitar los materiales de empaque

- Quite los residuos de cinta y goma de las superficies antes de encender la bodega. Frote un poco de detergente líquido para vajillas sobre el adhesivo con los dedos. Limpie con agua tibia y seque.
- No use instrumentos filosos, alcohol para fricciones, líquidos inflamables o productos de limpieza abrasivos para eliminar los restos de cinta o goma. Estos productos pueden dañar la superficie de su bodega. Para más información, vea "Seguridad de la bodega".
- Deshágase de todos los materiales de embalaje o recíclelos.

Cuando mueva su bodega:

Su bodega es muy pesada. Cuando mueva la bodega para limpiarla o darle servicio, cerciórese de cubrir el piso con cartón o madera para evitar daños en el mismo. Al mover la bodega, siempre tire directamente hacia afuera. No menea la bodega de lado a lado ni la haga "caminar" cuando la trate de mover ya que podría dañar el piso.

Limpieza antes del uso

Una vez que usted haya quitado todos los materiales de empaque, limpie el interior de su bodega antes de usarla. Vea las instrucciones de limpieza en "Cuidado de su bodega".

Cierre de la puerta

Su bodega tiene cuatro patas niveladoras. Si su bodega parece inestable o usted quiere que la puerta se cierre con mayor facilidad, ajuste la inclinación de la bodega usando las instrucciones a continuación.

⚠️ ADVERTENCIA



Peligro de Choque Eléctrico

Conecte a un contacto de pared de conexión a tierra de 3 terminales.

No quite la terminal de conexión a tierra.

No use un adaptador.

No use un cable eléctrico de extensión.

No seguir estas instrucciones puede ocasionar la muerte, incendio o choque eléctrico.

1. Conecte a un contacto de pared de conexión a tierra de 3 terminales.

⚠️ ADVERTENCIA

Peligro de Peso Excesivo

Use dos o más personas para mover e instalar la bodega.

No seguir esta instrucción puede ocasionar una lesión en la espalda u otro tipo de lesiones.

2. Mueva la bodega hacia su posición final.
3. Gire las patas niveladoras hacia la derecha para bajar la bodega o gírelas hacia la izquierda para levantarla. Puede precisar darle varias vueltas a las patas niveladoras para ajustar la inclinación de la bodega.

NOTA: Para quitar un poco de peso de las patas niveladoras, haga que alguien empuje la parte superior de la bodega. Esto facilita el ajuste de las patas niveladoras.



- Abra la puerta y verifique para asegurarse que se cierra con la facilidad que usted desea. Si no es así, gire ambos tornillos niveladores delanteros hacia la derecha para inclinar

levemente la bodega más hacia atrás. Puede tomar varias vueltas más, y usted deberá girar ambas patas niveladoras la misma cantidad de veces.

Puertas de la bodega

Herramienta necesaria: Destornillador Phillips N° 2

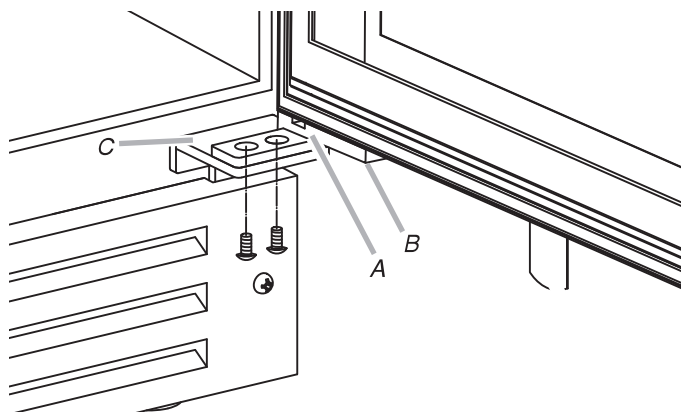
Cómo quitar la puerta y las bisagras

- Abra la puerta a un ángulo de 90° y quite los tornillos de la bisagra inferior de la puerta.
- Quite la puerta, jalándola hacia adelante y hacia afuera de la bodega.
- Quite los tres tornillos de la bisagra superior y sáquela.

Cambio del sentido de apertura de la puerta (opcional)

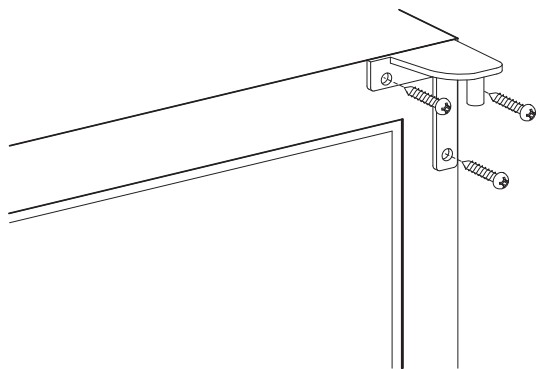
NOTA: Hay dos bisagras para la instalación de la puerta con sentido de apertura invertido, una para el sentido de apertura de la puerta hacia la derecha y otra para el sentido de apertura de la puerta hacia la izquierda. Instale la bisagra superior diseñada para el sentido de apertura de puerta deseado.

- Quite los dos tornillos que sujetan la bisagra inferior a la puerta.

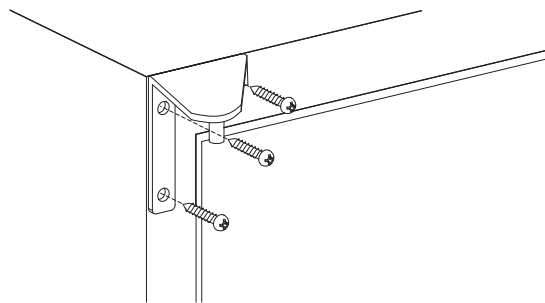


A. Pasador de la bisagra inferior
B. Tope de la puerta
C. Bisagra inferior

- Quite la puerta, levantándola y jalándola hacia afuera de la bodega.
- Quite los tres tornillos decorativos de la esquina superior izquierda del frente de la bodega.
- Quite los tres tornillos de la bisagra superior derecha y sáquela.

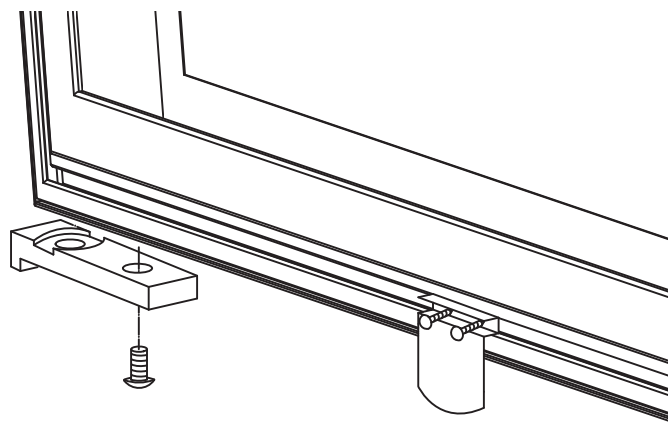


- Usando los tres tornillos que quitó en el paso anterior, sujete la bisagra superior izquierda a la esquina superior izquierda del frente de la bodega.



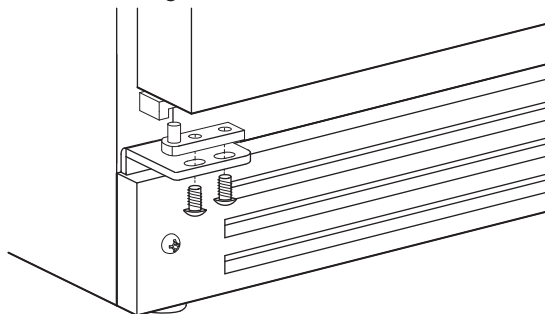
NOTA: La bisagra izquierda se incluye en la bolsa con el Manual de uso y cuidado.

- Inserte los tres tornillos decorativos que quitó en el Paso 3 en los tres orificios de la esquina superior derecha del frente de la bodega.
- Quite los tornillos del interruptor mecánico y el tope de la puerta; retire el interruptor mecánico y el tope de la puerta. Coloque el interruptor mecánico y el tope de la puerta en el lado opuesto de la puerta.

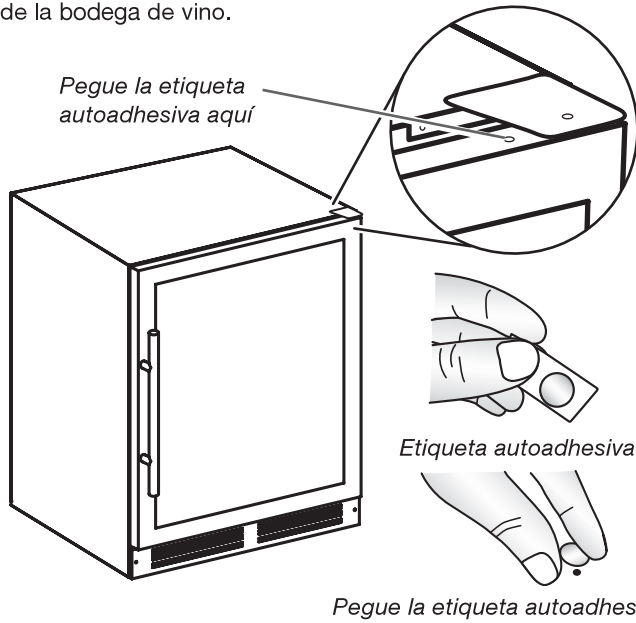


NOTA: Los tornillos para el interruptor mecánico de la puerta se encuentran detrás del sello. Quite primero el sello y luego saque los tornillos del interruptor mecánico de la puerta. Luego de volver a sujetar el interruptor mecánico de la puerta, coloque el sello en su posición original.

- Retire la insignia de Whirlpool. (Solo los modelos: WUW55X15HS y WUW55X24HS.)
- Sujete la bisagra inferior en el lado opuesto de la puerta y gire la puerta 180° de manera que la bisagra ahora se encuentre en la parte inferior de la puerta.
- Inserte la esquina superior de la puerta dentro del pasador de la bisagra superior, y vuelva a instalar la puerta en la bodega.
- Presione la puerta y el pasador de la bisagra inferior hacia adentro de la bisagra inferior.

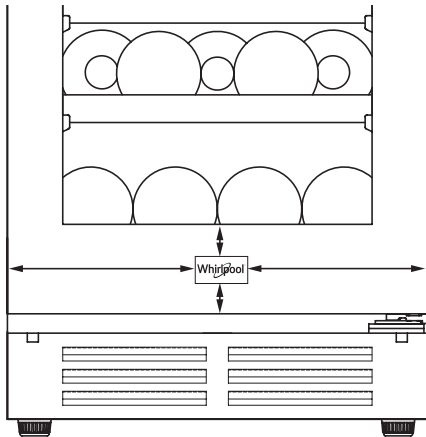


12. Coloque la etiqueta autoadhesiva en la parte superior de la bodega de vino.



13. Después de cambiar la puerta (bisagra de la izquierda), coloque la insignia de Whirlpool en la parte inferior de la cava de vino. (Solo los modelos: WUW55X15HS y WUW55X24HS.)

NOTA: La etiqueta autoadhesiva y la insignia de Whirlpool se incluyen en la bolsa con la Guía para el uso y el cuidado.



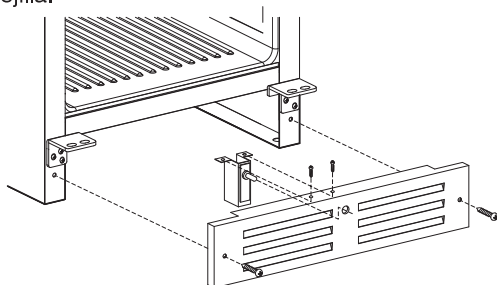
14. Verifique la alineación y los sellos de la puerta.
15. Apriete los tornillos de la bisagra (según fuera necesario).

Rejilla de la base

Debe quitar la rejilla de la base para acceder a los serpentines del condensador y limpiarlos.

Para quitar la rejilla de la base:

1. Abra la puerta de la bodega.
2. Saque los dos tornillos de la rejilla de la base con un destornillador Phillips.
3. Quite los dos tornillos que sujetan el interruptor mecánico a la rejilla.



4. Quite la rejilla de la base.

Para volver a colocar la rejilla de la base:

1. Abra la puerta de la bodega.
2. Vuelva a sujetar el interruptor mecánico con los dos tornillos con sensores.
3. Vuelva a colocar los dos tornillos de la rejilla de la base. Apriete los tornillos.

Ensamblaje de la manija

NOTA: Solo para los modelos WUW55X15HS y WUW55X24HS.

⚠ ADVERTENCIA

Peligro de Peso Excesivo

Use dos o más personas para mover e instalar la bodega.

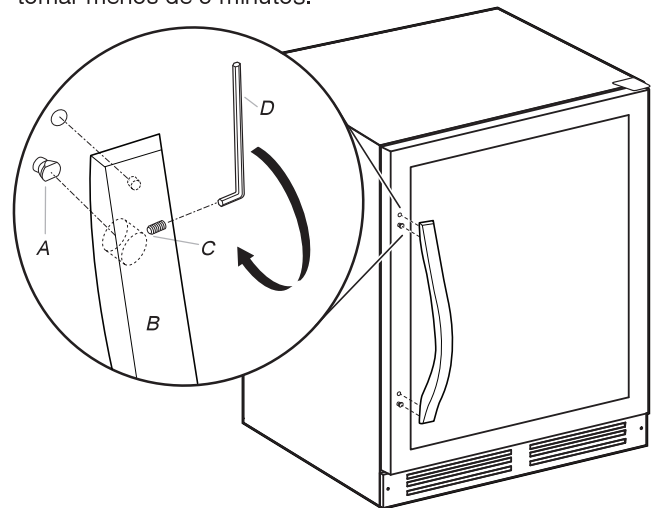
No seguir esta instrucción puede ocasionar una lesión en la espalda u otro tipo de lesiones.

Consejo útil: Coloque cartón debajo de la bodega hasta que esté instalada en la abertura del armario. El cartón ayudará a proteger la cubierta del piso durante la instalación.

NOTAS:

- Para facilitar la instalación, coloque la bodega sobre su parte posterior con la ayuda de dos o más personas.
 - Coloque un paño suave o una toalla contra el panel frontal mientras instala la manija de la puerta para evitar rayarlo.
 - Los tornillos opresores han sido instalados previamente en la manija.
1. Quite la manija de la puerta y la bolsa de herramientas que contiene la llave hexagonal en L de la bolsa de burbujas.
 2. Coloque la manija en los pernos de montaje. Los tornillos opresores deberán mirar hacia abajo cuando se hayan instalado correctamente. Si la manija se instala al revés, la instalación apropiada no será posible.
 3. Empuje firmemente la manija contra la puerta.
 4. Inserte el extremo corto de la llave hexagonal en L en el tornillo opresor y apriete el tornillo opresor ¼ de vuelta bien ajustado. El tornillo opresor no estará empotrado en la manija.
 5. Repita el paso 4 para el otro tornillo opresor.
 6. Guarde la llave hexagonal en L con las instrucciones de instalación.

NOTA: El procedimiento de instalación de la manija deberá tomar menos de 5 minutos.



A. Perno de montaje
B. Manija de la puerta

C. Tornillo opresor
D. Llave hexagonal

USO DE LA BODEGA

Sonidos normales

Su nueva bodega puede hacer ruidos que su vieja bodega no hacía. Como estos sonidos son nuevos para Ud., puede ser que se preocupe. La mayoría de los sonidos nuevos son normales. Las superficies duras tales como el piso y las estructuras circundantes pueden hacer que los sonidos parezcan más fuertes. A continuación se describen los tipos de sonidos y qué puede causarlos.

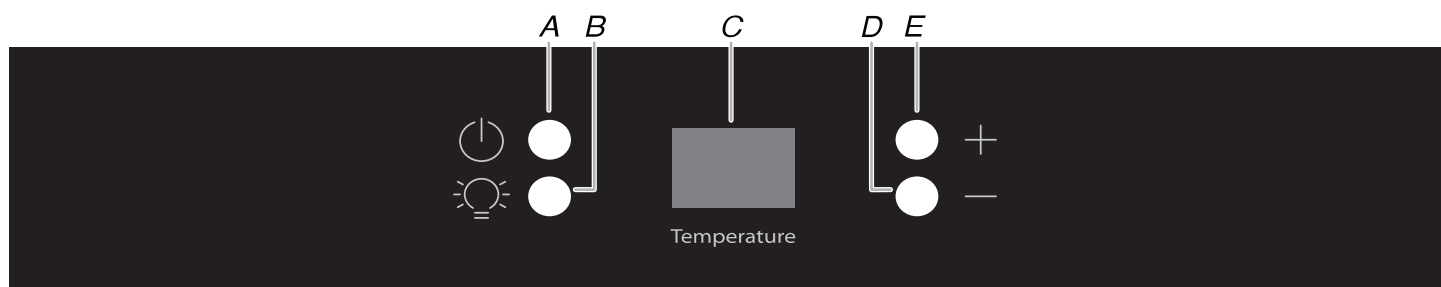
■ Su bodega está diseñada para funcionar con más eficiencia para conservar sus vinos a la temperatura deseada y para reducir al mínimo el uso de energía. El compresor y los ventiladores de alta eficiencia pueden causar que su nueva bodega funcione por períodos de tiempo más largos que su bodega vieja. También puede escuchar un sonido pulsante o agudo del compresor o los ventiladores que se ajustan para un funcionamiento óptimo.

- Las vibraciones pueden producirse por el flujo de líquido refrigerante o artículos guardados dentro de la bodega.
- Al final de cada ciclo, Ud. puede escuchar un gorgoteo debido al flujo de líquido refrigerante en su bodega.
- Ud. puede escuchar agua corriendo hacia la bandeja recolectora cuando la bodega se está descongelando.
- Es posible que escuche sonidos de chasquido cuando la bodega comienza o deja de funcionar.

Uso del control

Para los modelos estilo 1 y estilo 2, el control de estos modelos se encuentra en la parte superior frontal del compartimiento de la bodega. Las temperaturas predeterminadas están expresadas en °F.

Estilo 1: Modelos WUW35X15DS y WUW35X24DS



A. Encendido

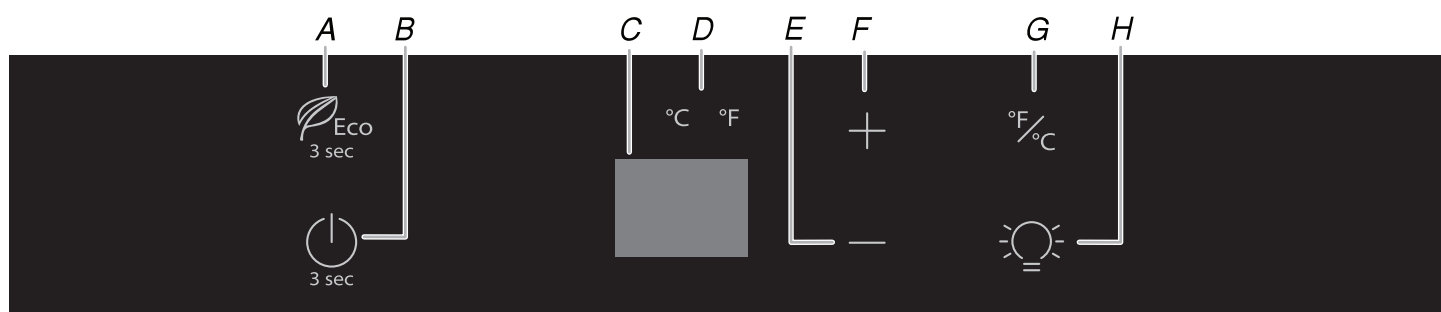
B. Luz

C. Pantalla del compartimiento

D. Disminución de temperatura

E. Aumento de temperatura

Estilo 2: Modelo WUW55X15HS



A. Modo Eco (Ecológico)
B. Encendido

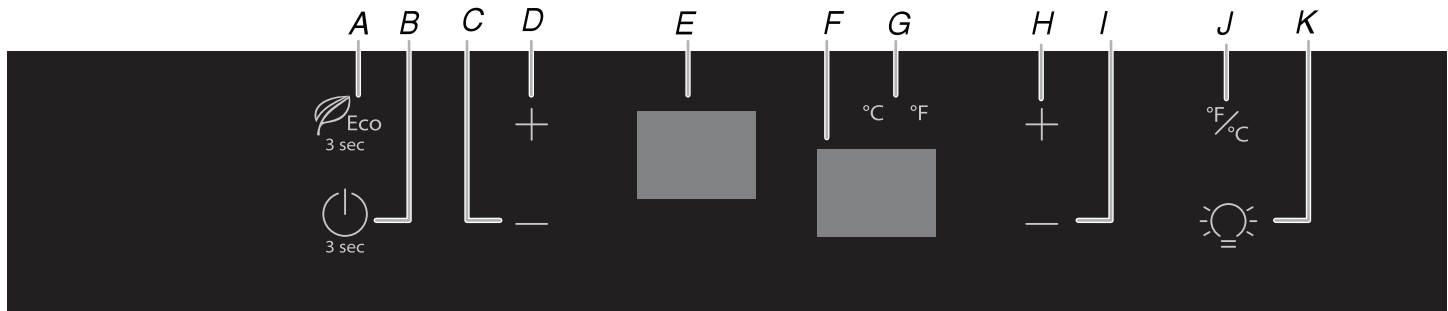
C. Pantalla del compartimiento
D. Indicador de temperatura

E. Disminución de temperatura
F. Aumento de temperatura

G. Control F/C
H. Luz

Estilo 3: Modelo WUW55X24HS

El control para este modelo se encuentra en el medio del compartimiento de la bodega.



A. Modo Eco (Ecológico)

B. Encendido

C. Disminución de temperatura (compartimiento superior)

D. Aumento de temperatura (compartimiento superior)

E. Pantalla del compartimiento superior

F. Pantalla del compartimiento inferior

G. Indicador de temperatura

H. Aumento de temperatura (compartimiento inferior)

I. Disminución de

temperatura

(compartimiento inferior)

J. Control F/C

K. Luz

Controles

Para su comodidad, el control de su bodega ha sido prefijado de fábrica.

Para los modelos de compartimiento único (WUW35X15DS, WUW35X24DS, WUW55X15HS), la temperatura prefijada es 54 °F (12 °C). Para el modelo de dos compartimientos (WUW55X24HS), la temperatura prefijada del compartimiento superior es de 45 °F (7 °C) y la temperatura prefijada del compartimiento inferior es de 54 °F (12 °C).

- Cuando esté encendida, la pantalla de temperatura muestra la temperatura fija del (de los) compartimiento(s).
- Espere 24 horas para que la bodega se enfríe completamente antes de agregar vino.

NOTA: Poner los controles de temperatura de la bodega en un ajuste más frío que el recomendado no enfriará más rápido los compartimientos.

Encendido y apagado de la bodega:

- Presione el botón/tecla de encendido de su bodega durante 3 segundos para encender el sistema de enfriamiento de la bodega.
- Mantenga presionado el botón/tecla de encendido otra vez para apagar el sistema de enfriamiento de la bodega. Se mostrará una cuenta regresiva de 3 segundos en la pantalla del compartimiento. El botón/la tecla de la luz encenderá o apagará la luz en el compartimiento de la bodega.

Cómo disminuir y aumentar la temperatura del compartimiento:

- Presione el botón/tecla de aumento de temperatura hasta alcanzar la temperatura deseada en el compartimiento deseado, que se muestra en la(s) pantalla(s) del compartimiento.
- Presione el botón/tecla de disminución de temperatura hasta alcanzar la temperatura deseada en el compartimiento deseado, que se muestra en la(s) pantalla(s) del compartimiento.

Encender/Apagar la luz:

- Presione el botón/tecla de la luz para apagar y encender la luz en el compartimiento de la bodega. La bodega permanecerá iluminada durante 10 minutos (incluso si la puerta está cerrada) cuando la luz está encendida. Cuando la luz está apagada, el compartimiento de la bodega se iluminará cuando se abra la puerta. La luz se apagará cuando se cierre la puerta.

Cambio de ajuste de temperatura (en algunos modelos):

- Para modelos con el botón/tecla de control °F/°C, presione el botón/tecla de control °F/°C para cambiar de Fahrenheit a centígrados o centígrados a Fahrenheit. Se iluminará la opción °F o °C en la tecla indicadora de temperatura para indicar el ajuste de temperatura que utiliza actualmente.
- Para modelos sin botón/tecla de control °F/°C, mantenga presionados los botones/teclas para aumentar/disminuir la temperatura durante 3 segundos. Se mostrará una cuenta regresiva de 3 segundos.

Uso de Modo Eco (Ecológico) (en algunos modelos)

Cuando está activado el Modo Eco (Ecológico), se apagará la luz de la pantalla del compartimiento, cuando la puerta esté cerrada. Cuando la puerta de la bodega está abierta, la luz permanecerá encendida hasta cerrar la puerta. Los botones/teclas de la luz y del control de °F/°C funcionarán normalmente.

- Para activar el Modo Eco (Ecológico), mantenga presionado el botón de Modo Eco (Ecológico) durante 3 segundos. Se mostrará una cuenta regresiva de 3 segundos.
- Para desactivar el Modo Eco (Ecológico), mantenga presionado el botón de Modo Eco (Ecológico) durante 3 segundos. Se mostrará una cuenta regresiva de 3 segundos y la bodega volverá a funcionar normalmente.

Cómo ajustar el control:

Si necesita ajustar la temperatura, espere por lo menos 24 horas entre un ajuste y otro, y después vuelva a verificar la temperatura.

Para hacer que la bodega esté más fría, regule el ajuste a una temperatura más baja. Para hacer que la bodega esté menos fría, regule el ajuste a una temperatura más alta.

NOTA: En algunos modelos, al ajustar el control de temperatura, aumenta o disminuye la temperatura en los compartimientos correspondientes, pero no en ambos compartimientos.

Separador de temperatura (Pantalla de temperatura) (en algunos modelos)

El separador de temperatura muestra las temperaturas actuales (en Fahrenheit o centígrados) para el compartimiento superior y el inferior de la bodega. Para regular los ajustes de temperatura, vea “Cómo ajustar el control” anteriormente en esta sección.

Ubicaciones recomendadas para el almacenamiento (en algunos modelos)

Para que la botella de vino tenga las mejores temperaturas de almacenamiento y para servir, use el ajuste de temperatura recomendado por el vitivinicultor. Vea la etiqueta del vino para obtener detalles. Se recomienda almacenar el vino a corto plazo (unos meses) a 55 °F (13 °C).

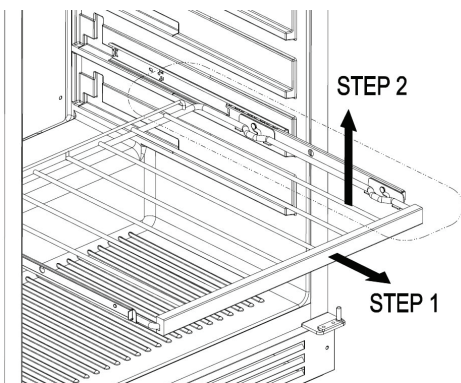
VINOS	COMPARTIMIENTO
Vino blanco	Compartimiento superior
Vino tinto claro	Compartimiento inferior
Vino tinto	Compartimiento inferior

Portabotellas

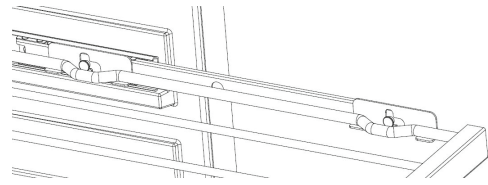
Para quitar y volver a colocar los portabotellas superiores y del medio

Para quitar los portabotellas:

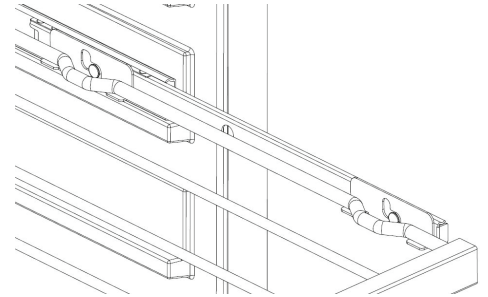
1. Jale el portabotellas hacia adelante hasta que se detenga.



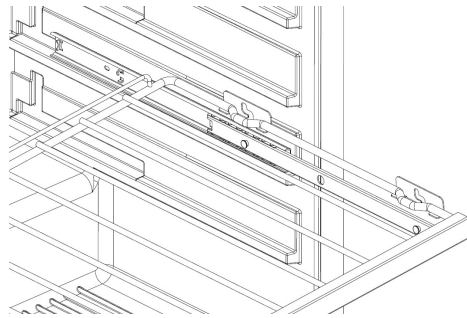
2. Levante un lado de la rejilla y sosténgala contra el portabotellas.



3. Deslice el riel hacia adelante y empuje el portabotellas hacia el compartimiento al mismo tiempo. Las clavijas de soporte se moverán hacia adelante.



4. Vuelva a levantar la rejilla para retirar los soportes de la parrilla de las clavijas de soporte.



5. Retire los portabotellas del otro lado y repita los pasos del 1 al 4.

Para volver a colocar los portabotellas:

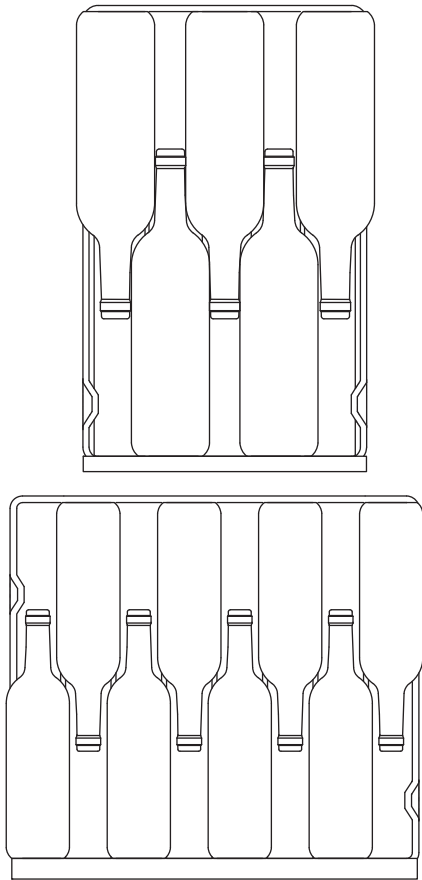
1. Inserte el portabotellas dentro del compartimiento y deslícelo hacia la parte trasera de la bodega.
2. Alinee las clavijas de soporte con los orificios de los soportes de la parrilla.
3. Tire el portabotellas hacia adelante y empuje el riel hacia el compartimiento al mismo tiempo hasta que las clavijas de soporte estén ubicadas en el lugar correcto.

Cómo almacenar en la bodega

NOTA: Para un óptimo almacenamiento de vinos, coloque los vinos blancos en la parte superior de la bodega, los vinos rosados en el centro y los vinos tintos en la parte inferior.

Para almacenar en la bodega

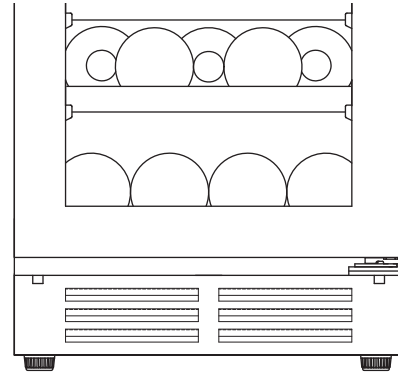
1. Al almacenar en la bodega, comience por el portabotellas inferior.
2. Empezando por el lado izquierdo, coloque la primera botella en el portabotellas sobre su lateral, con el cuello de la botella mirando hacia el frente de la bodega.



Frente del portabotellas

3. Coloque la próxima botella en el lateral, con el cuello de la botella mirando hacia la parte posterior de la bodega.

4. Alterne de esta manera hasta llenar el portabotellas.
5. Empuje el portabotellas por completo antes de jalar hacia adelante el siguiente portabotellas.
6. Jale el siguiente portabotellas hacia adelante y repita los pasos del 2 al 4; repita el procedimiento para el resto de los portabotellas.
7. Para almacenar en la parte inferior de la bodega, coloque las botellas en las ranuras ubicadas en la base de la bodega con el cuello de las botellas mirando hacia la parte posterior de la bodega.



Cómo iluminar la bodega

La bodega tiene una luz interior que se enciende cada vez que se abre la puerta. Consulte la sección “Uso del control” para ver opciones sobre cómo controlar la luz interior.

NOTA: La luz es LED y no necesita reemplazarse. Si el LED no se enciende cuando se abre la puerta, llame al Servicio técnico para reemplazar el foco. Vea “Ayuda o servicio técnico” para obtener la información de contacto.

CUIDADO DE LA BODEGA

Limpieza

ADVERTENCIA



Peligro de Explosión

Use un limpiador no inflamable.

No seguir esta instrucción puede ocasionar la muerte, explosión o incendio.

Limpie la bodega aproximadamente una vez al mes para evitar la acumulación de olores. Limpie los derrames de inmediato.

Cómo limpiar la bodega:

1. Desenchufe la bodega o desconecte el suministro de energía.
2. Retire todos los portabotellas del interior de la bodega.
3. Limpie el interior.

Estilo 1 - Modelos con ribete de acero inoxidable

Utilizando una esponja limpia o un paño suave y un detergente suave disuelto en agua tibia, lave a mano y enjuague completamente las piezas removibles y las superficies interiores. Seque con un paño suave.

Estilo 2 - Modelos con ribete de madera

IMPORTANTE: Para evitar dañar las piezas con ribetes de madera, limpie el ribete con una esponja limpia o un paño suave y agua tibia. No use detergente ni sumerja todo el portabotellas en agua cuando lo esté limpiando.

Utilizando una esponja limpia o un paño suave y un detergente suave disuelto en agua tibia, lave a mano y enjuague completamente las piezas removibles y las superficies interiores. Seque con un paño suave.

- No use productos de limpieza abrasivos o ásperos, como aerosoles para ventanas, productos de limpieza para pulir, líquidos inflamables, ceras para limpieza, detergentes concentrados, blanqueadores o productos de limpieza que contengan productos derivados de petróleo en las partes de plástico, revestimientos interiores o de la puerta o juntas. No use toallas de papel, estropajos para fregar u otros utensilios de limpieza ásperos. Estos pueden rayar o dañar los materiales.

- Para ayudar a eliminar olores, puede lavar las paredes interiores con una mezcla de agua tibia y bicarbonato de sodio (2 cucharadas en un cuarto de galón [26 g en 0,95 L] de agua).
4. Lave las superficies externas metálicas pintadas y de acero inoxidable con una esponja limpia o un paño suave y detergente delicado con agua tibia. No use productos de limpieza abrasivos o ásperos o que contengan cloro. Éstos pueden rayar o dañar los materiales. Seque meticulosamente con un paño suave.

NOTA: Para mantener como nueva su bodega de acero inoxidable y para quitar marcas o rayaduras pequeñas, se sugiere usar el limpiador de acero inoxidable aprobado por el fabricante. Para pedir el limpiador, vea “Accesorios”.

IMPORTANTE: ¡Este limpiador es solamente para partes de acero inoxidable!

No permita que el limpiador de acero inoxidable entre en contacto con ninguna parte de plástico tales como las piezas del marco, las tapas del despachador o las juntas de la puerta. Si se produce contacto no intencional, limpie la pieza de plástico con una esponja y detergente suave en agua tibia. Seque meticulosamente con un paño suave.
 5. Vuelva a colocar los portabotellas.
 6. Limpie los serpentines del condensador regularmente. Están ubicados detrás de la rejilla de la base. Quizás necesite limpiar los serpentines cada dos meses. Esto puede ayudar a ahorrar energía.
 - Quite la rejilla de la base. Vea “Rejilla de la base”.
 - Use una aspiradora con extensión para limpiar los serpentines del condensador siempre que estén sucios o polvorientos.
 - Vuelva a colocar la rejilla de la base.
 7. Enchufe la bodega o reconecte el suministro de energía.

Cuidado durante las vacaciones y mudanzas

Vacaciones

Si Ud. decide apagar la bodega antes de irse, siga estos pasos.

1. Saque todas las botellas de vino de la bodega.
2. Desenchufe la bodega.
3. Limpie la bodega. Vea “Limpieza”.
4. Fije un bloque de goma o de madera con cinta adhesiva a la parte superior de la puerta para que quede abierta y el aire circule. Esto evita que se formen olores y que crezcan hongos.

Mudanza

Si Ud. muda su bodega a una casa nueva, siga los pasos a continuación para prepararse para la mudanza.

1. Saque todas las botellas de vino de la bodega.
2. Desenchufe la bodega.
3. Límpiela, pásele un paño y séquela detalladamente.
4. Saque todas las partes desmontables, envuélvalas bien y asegúrelas con cinta adhesiva para que no se sacudan durante la mudanza.
5. Sostenga las puertas cerradas y el cable pegado a la carcasa de la bodega con cinta adhesiva.

Cuando llegue a la casa nueva, ponga todo de nuevo y lea la sección “Instrucciones de instalación” para obtener instrucciones de preparación.

SOLUCIÓN DE PROBLEMAS

Primero pruebe las soluciones sugeridas aquí para evitar el costo innecesario del servicio.

La bodega no funciona

⚠ ADVERTENCIA



Peligro de Choque Eléctrico

Conecte a un contacto de pared de conexión a tierra de 3 terminales.

No quite la terminal de conexión a tierra.

No use un adaptador.

No use un cable eléctrico de extensión.

No seguir estas instrucciones puede ocasionar la muerte, incendio o choque eléctrico.

- **¿Está desenchufado el cable de suministro de energía?** Conéctelo a un contacto de pared de conexión a tierra de 3 terminales.

- **¿Hay un fusible de la casa fundido o se disparó el cortacircuitos?** Reemplace el fusible o repositone el cortacircuitos.
- **¿Se ha colocado el control de la bodega en la posición de apagado?** Vea “Uso del control”.

Las luces no funcionan

- **¿Está desenchufado el cable de suministro de energía?** Conecte a un contacto de pared de conexión a tierra de 3 terminales.
- Su bodega está equipada con luces LED que no necesitan ser reemplazadas. Si hay suministro de corriente a la bodega y las luces no se iluminan cuando se abre una puerta, llame para solicitar servicio o asistencia.

Parece que el motor funciona excesivamente

- **¿Está la temperatura exterior más caliente de lo normal?** En condiciones de calor, el motor funciona por períodos más largos. Cuando la temperatura es normal, el motor funciona entre 40% y 80% del tiempo. Bajo condiciones más calientes, puede funcionar por aún más tiempo.

- **¿Se abre la puerta a menudo?** Cuando esto ocurre, el motor puede funcionar por períodos más largos. Para ahorrar energía, trate de sacar todo lo que necesite de la bodega de una vez, mantenga las botellas de vino con las etiquetas hacia arriba para que sean fáciles de encontrar y cierre la puerta una vez que se haya sacado el vino.
- **¿Se ha ajustado el control correctamente de acuerdo con las condiciones circundantes?** Vea “Uso del control”.
- **¿Está completamente cerrada la puerta?** Cierre la puerta con firmeza. Si no se cierra completamente, vea “La puerta no cierra completamente” más adelante en esta sección.
- **¿Están sucios los serpentines del condensador?** Esto obstruye la transferencia de aire y hace que el motor trabaje más. Limpie los serpentines del condensador. Vea “Limpieza”.

La temperatura está demasiado alta

- **¿Se abre la puerta a menudo?** Sea consciente de que la bodega se calienta cuando esto ocurre. Para mantener la bodega fría, trate de sacar todo lo que necesite de la bodega de una vez, mantenga las botellas de vino con las etiquetas hacia arriba para que sean fáciles de encontrar y cierre la puerta una vez que se haya sacado el vino.
- **¿Se ha ajustado el control correctamente de acuerdo con las condiciones circundantes?** Vea “Uso del control”.
- **¿Está bloqueada la rejilla de la base?** Para obtener un óptimo funcionamiento, no instale la bodega detrás de la puerta de un armario ni bloquee la rejilla de la base.

Hay acumulación de humedad en el interior

- **¿Se abre la puerta a menudo?** Para evitar la acumulación de humedad, trate de sacar todo lo que necesite de la bodega de una vez, mantenga las botellas de vino con las etiquetas hacia arriba para que sean fáciles de encontrar y cierre la puerta una vez que se haya sacado el vino. Cuando la puerta está abierta, la humedad de la habitación entra a la bodega. La humedad se acumula más rápido cuanto más seguido se abre la puerta, especialmente cuando la habitación está muy húmeda.
- **¿Hay humedad?** Es normal que se acumule humedad dentro de la bodega cuando el aire está húmedo.
- **¿Se ha ajustado el control correctamente de acuerdo con las condiciones circundantes?** Vea “Uso del control”.

Es difícil abrir la puerta

ADVERTENCIA



Peligro de Explosión

Use un limpiador no inflamable.

No seguir esta instrucción puede ocasionar la muerte, explosión o incendio.

- **¿Está la junta sucia o pegajosa?** Limpie la junta y la superficie que ésta toque. Frote una capa delgada de cera de parafina sobre la junta después de la limpieza.

La puerta no cierra completamente

- **¿Están fuera de posición los portabotellas?** Coloque nuevamente los portabotellas en su posición correcta. Vea “Uso de la bodega” para obtener más información.

ADVERTENCIA



Peligro de Explosión

Use un limpiador no inflamable.

No seguir esta instrucción puede ocasionar la muerte, explosión o incendio.

- **¿Está la junta pegajosa?** Limpie la junta y la superficie que ésta toque. Frote una capa delgada de cera de parafina sobre la junta después de la limpieza.
- **¿Está la puerta instalada correctamente?** Si se cambió el sentido de apertura de la puerta de manera incorrecta, puede ser que se necesite volver a instalarla. Vea “Cambio del sentido de apertura de la puerta”.

AYUDA O SERVICIO TÉCNICO

Antes de solicitar ayuda o servicio técnico, por favor consulte la sección “Solución de problemas”. Esto le podría ahorrar el costo de una visita de servicio técnico. Si considera que aún necesita ayuda, siga las instrucciones que aparecen a continuación.

Cuando llame, tenga a mano la fecha de compra y el número completo del modelo y de la serie de su electrodoméstico. Esta información nos ayudará a atender mejor a su pedido.

Si necesita piezas de repuesto

Si necesita pedir piezas de repuesto, recomendamos que use únicamente piezas de repuesto especificadas de fábrica. Estas piezas encajarán bien y funcionarán bien ya que están confeccionadas con la misma precisión empleada en la fabricación de cada electrodoméstico nuevo de WHIRLPOOL®.

Para encontrar piezas de repuesto especificadas de fábrica en su localidad, llámenos o comuníquese con el centro de servicio designado por Whirlpool más cercano a su localidad.

En los EE.UU.

Llame al Centro para la eXperiencia del cliente de Whirlpool sin costo alguno al: **1-800-253-1301**.

Nuestros consultores ofrecen asistencia con respecto a:

- Características y especificaciones de nuestra línea completa de electrodomésticos.
- Información sobre instalación.
- Procedimiento para el uso y mantenimiento.
- Venta de accesorios y piezas para reparación.
- Asistencia especializada para el cliente (habla hispana, problemas de audición, visión limitada, etc.).
- Recomendaciones con distribuidores locales, compañías que dan servicio y distribuidores de partes para reparación. Los técnicos de servicio designados por Whirlpool están entrenados para cumplir con la garantía del producto y ofrecer servicio una vez que la garantía termine, en cualquier lugar de los Estados Unidos.

Para localizar a una compañía de servicio designada por Whirlpool en su área, también puede consultar la sección amarilla de su guía telefónica.

Para obtener más asistencia

Si necesita asistencia adicional, puede escribir a Whirlpool Corporation con sus preguntas o dudas a:

Whirlpool Brand Home Appliances
Customer eXperience Center
553 Benson Road
Benton Harbor, MI 49022-2692

Por favor incluya en su correspondencia un número de teléfono en el que se le pueda localizar durante el día.

En Canadá

Llame al Centro para la eXperiencia del cliente de Whirlpool Canada sin costo alguno al: **1-800-807-6777** o visite nuestro sitio de internet en **www.whirlpool.ca**.

Nuestros consultores ofrecen ayuda para:

- Programación de servicio técnico. Los técnicos de servicio designados por Whirlpool Canada están capacitados para cumplir con la garantía del producto y ofrecer servicio una vez que la garantía termine, en cualquier lugar de Canadá.
- Características y especificaciones de nuestra línea completa de electrodomésticos.
- Recomendaciones con distribuidores locales.
- Procedimiento para el uso y mantenimiento.
- Venta de accesorios y partes para reparación.

Para obtener asistencia adicional

Si necesita asistencia adicional, puede escribir a Whirlpool Canada con sus preguntas o dudas a:

Whirlpool Brand Home Appliances
Customer eXperience Centre
200 - 6750 Century Ave.
Mississauga, Ontario L5N 0B7

Por favor incluya en su correspondencia un número de teléfono en el que se le pueda localizar durante el día.

Accesorios

El siguiente accesorio está disponible para su bodega. Para pedir el accesorio, comuníquese con nosotros y solicite el número de pieza.

En los EE.UU., visite nuestro sitio de internet en **www.whirlpool.com/accessories** o llame al **1-800-253-1301**.

En Canadá, visite nuestro sitio de internet en **www.whirlpoolparts.ca** o llame al **1-800-807-6777**.

Limpiador de acero inoxidable

Pida la pieza No. 4396095

GARANTÍA LIMITADA DEL REFRIGERADOR WHIRLPOOL®

ADJUNTE SU RECIBO AQUÍ. SE REQUIERE LA PRUEBA DE COMPRA PARA OBTENER SERVICIO BAJO LA GARANTÍA.

Tenga a mano la siguiente información cuando llame al Centro para la eXperiencia del cliente:

- Nombre, dirección y número de teléfono
- Número de modelo y de serie
- Una descripción clara y detallada del problema
- Prueba de compra incluido el nombre y la dirección del distribuidor o vendedor

SI NECESITA SERVICIO TÉCNICO:

1. Antes de contactarnos para obtener servicio, determine si el producto requiere reparación. Algunas consultas pueden atenderse sin servicio técnico. Tómese unos minutos para revisar la sección de Solución de problemas o Problemas y soluciones del Manual de uso y cuidado, escanee el código QR que se encuentra a la derecha para acceder a los recursos adicionales o visite www.whirlpool.com/product_help.
2. Todos los servicios bajo la garantía los brindan exclusivamente Prestadores autorizados de servicio de Whirlpool. Para EE.UU. y Canadá, dirija todas las solicitudes de servicio bajo la garantía a:

Centro para la eXperiencia del cliente de Whirlpool

En EE.UU., llame al 1-800-253-1301. En Canadá, llame al 1-800-807-6777.

Si usted se encuentra fuera de los cincuenta Estados Unidos o Canadá, póngase en contacto con su distribuidor autorizado de Whirlpool para determinar si corresponde otra garantía.



www.whirlpool.com/product_help

GARANTÍA LIMITADA DE CINCO AÑOS

LO QUE ESTÁ CUBIERTO

GARANTÍA LIMITADA

Durante un año a partir de la fecha de compra, siempre y cuando este electrodoméstico principal se instale y se le dé un uso y mantenimiento de conformidad con las instrucciones adjuntas o provistas con el producto, Whirlpool Corporation o Whirlpool Canada LP (en lo sucesivo denominado "Whirlpool"), se hará cargo del costo de las piezas especificadas de fábrica y del trabajo de reparación para corregir defectos en los materiales o en la mano de obra, existentes en el momento de la compra de este electrodoméstico principal o reemplazará, a su entera discreción, el producto. En caso de reemplazo, el electrodoméstico estará bajo garantía por el tiempo restante del periodo de garantía de la unidad original.

GARANTÍA LIMITADA DEL SEGUNDO AL QUINTO AÑO EN EL REVESTIMIENTO DE LA CAVIDAD Y EL SISTEMA DE REFRIGERACIÓN SELLADO

Desde el segundo al quinto año desde la fecha de compra original, siempre y cuando este electrodoméstico principal se instale y se le dé un uso y mantenimiento de conformidad con las instrucciones adjuntas o provistas con el producto, la marca Whirlpool se hará cargo del costo de las piezas especificadas de fábrica y del trabajo de reparación para los siguientes componentes, para corregir defectos no estéticos en los materiales y en la mano de obra que tenga esta pieza, los cuales eviten el funcionamiento del refrigerador, y que hayan existido en el momento de la compra de este electrodoméstico principal:

- Revestimiento de la cavidad del refrigerador/congelador si la pieza se rompiera debido a defectos de material o de mano de obra.
- Sistema de refrigeración sellado (incluye compresor, evaporador, condensador, secador y tubos conectores).

SU ÚNICO Y EXCLUSIVO RECURSO SEGÚN LOS TÉRMINOS DE ESTA GARANTÍA LIMITADA SERÁ EL DE REPARAR EL PRODUCTO SEGÚN SE ESTIPULA EN LA PRESENTE. El servicio deberá ser suministrado por una compañía de servicio designada por Whirlpool. Esta garantía limitada es válida solamente en Estados Unidos o en Canadá y se aplica solamente cuando el electrodoméstico principal se use en el país en el que se ha comprado. Esta garantía limitada entrará en vigor a partir de la fecha de la compra del consumidor original. Se requiere una prueba de la fecha de compra original para obtener servicio bajo esta garantía limitada.

LO QUE NO ESTÁ CUBIERTO

1. Uso comercial, no residencial o familiar múltiple o uso diferente del indicado en las instrucciones del usuario, del operador o de instalación publicadas.
2. Instrucción a domicilio sobre cómo usar el producto.
3. Servicio para corregir el mantenimiento o la instalación incorrecta del producto, la instalación que no esté de acuerdo con los códigos eléctricos o de plomería o corrección de plomería o instalación eléctrica doméstica (por ejemplo, instalación eléctrica, fusibles o mangueras de entrada de agua del hogar).
4. Piezas de consumo (por ejemplo, focos de luz, baterías, filtros de agua o de aire, soluciones de conservación, etc.).
5. Defectos o daños causados por el uso de piezas o accesorios no legítimos de Whirlpool.
6. Daño causado por accidente, uso indebido, abuso, incendio, inundación, actos fortuitos o el empleo de productos no aprobados por Whirlpool.
7. Reparaciones a piezas o sistemas para corregir el daño o los defectos del producto a causa de reparaciones por servicio no autorizado, alteraciones o modificaciones en el electrodoméstico.
8. Daños estéticos, incluyendo rayaduras, abolladuras, desportilladuras u otro daño al acabado del electrodoméstico a menos que el mismo sea debido a defectos en los materiales o la mano de obra y se le informe a Whirlpool en un lapso de 30 días.
9. Decoloración, herrumbre u oxidación de las superficies producto de entornos corrosivos o cáusticos que incluyen, entre otras cosas, altas concentraciones de sal, humedad elevada o exposición a productos químicos.
10. Pérdida de comida o medicamentos debido a la falla del producto.
11. Recogida o entrega. Este producto está destinado para ser reparado en su hogar.
12. Gastos de viaje o de transporte para prestar servicio en lugares remotos en los cuales no haya disponible un técnico de servicio autorizado por Whirlpool.
13. Remoción o reinstalación de electrodomésticos en lugares inaccesibles o dispositivos empotrados (por ejemplo, adornos, paneles decorativos, pisos, armarios, islas, mostradores, paredes, etc.) que interfieran con el servicio, la remoción o el reemplazo del producto.
14. Servicio técnico o piezas para electrodomésticos con números de serie/modelo originales removidos, alterados o no identificados con facilidad.

El costo de la reparación o del reemplazo bajo estas circunstancias excluidas correrá por cuenta del cliente.

EXCLUSIÓN DE GARANTÍAS IMPLÍCITAS

LAS GARANTÍAS IMPLÍCITAS, INCLUYENDO CUALQUIER GARANTÍA IMPLÍCITA DE COMERCIABILIDAD O GARANTÍA IMPLÍCITA DE CAPACIDAD PARA UN PROPÓSITO PARTICULAR, SERÁN LIMITADAS A UN AÑO O AL PERÍODO MÁS CORTO PERMITIDO POR LEY. Algunos estados y provincias no permiten la limitación de la duración de las garantías implícitas de comerciabilidad o capacidad, de modo que la limitación arriba indicada quizá no le corresponda. Esta garantía le otorga derechos legales específicos y es posible que usted tenga también otros derechos que varían de un estado a otro o de una provincia a otra.

EXCLUSIÓN DE DECLARACIONES FUERA DE LA GARANTÍA

Whirlpool no hace declaraciones acerca de la calidad, durabilidad o necesidad de servicio técnico o reparación de este electrodoméstico principal aparte de las declaraciones incluidas en esta garantía. Si usted desea una garantía con una duración más prolongada o más completa que la garantía limitada que se incluye con este electrodoméstico principal, deberá dirigirse a Whirlpool o a su distribuidor acerca de la compra de una garantía extendida.

LIMITACIÓN DE RECURSOS; EXCLUSIÓN DE DAÑOS INCIDENTALES Y CONSECUENTES

SU ÚNICO Y EXCLUSIVO RECURSO SEGÚN LOS TÉRMINOS DE ESTA GARANTÍA LIMITADA SERÁ EL DE REPARAR EL PRODUCTO SEGÚN SE ESTIPULA EN LA PRESENTE. WHIRLPOOL NO SE RESPONSABILIZARÁ POR DAÑOS INCIDENTALES O CONSECUENTES. Algunos estados y provincias no permiten la exclusión o limitación de daños incidentales o consecuentes, de modo que estas limitaciones y exclusiones quizás no le correspondan. Esta garantía le otorga derechos legales específicos y es posible que usted tenga también otros derechos que varían de un estado a otro o de una provincia a otra.

6/15

SÉCURITÉ DE LA CAVE À VIN

Votre sécurité et celle des autres est très importante.

Nous donnons de nombreux messages de sécurité importants dans ce manuel et sur votre appareil ménager. Assurez-vous de toujours lire tous les messages de sécurité et de vous y conformer.



Voici le symbole d'alerte de sécurité.

Ce symbole d'alerte de sécurité vous signale les dangers potentiels de décès et de blessures graves à vous et à d'autres.

Tous les messages de sécurité suivront le symbole d'alerte de sécurité et le mot "DANGER" ou "AVERTISSEMENT". Ces mots signifient :

⚠ DANGER

Risque possible de décès ou de blessure grave si vous ne suivez pas immédiatement les instructions.

⚠ AVERTISSEMENT

Risque possible de décès ou de blessure grave si vous ne suivez pas les instructions.

Tous les messages de sécurité vous diront quel est le danger potentiel et vous disent comment réduire le risque de blessure et ce qui peut se produire en cas de non-respect des instructions.

IMPORTANTES INSTRUCTIONS DE SÉCURITÉ

AVERTISSEMENT : Pour réduire les risques d'incendie, de choc électrique ou des blessures lors de l'utilisation de la cave à vin, prendre quelques précautions fondamentales, y compris les suivantes :

- Brancher l'appareil sur une prise à 3 alvéoles reliée à la terre.
- Ne pas enlever la broche de liaison à la terre.
- Ne pas utiliser un adaptateur.
- Ne pas utiliser un câble de rallonge.
- Débrancher la source de courant électrique avant l'entretien.
- Replacer pièces et panneaux avant de faire la remise en marche.
- Enlever les portes de votre vieille cave à vin.
- Utiliser un produit de nettoyage ininflammable.
- Garder les matériaux et les vapeurs inflammables, telle que l'essence, loin de la cave à vin.
- Utiliser deux ou plus de personnes pour déplacer et installer la cave à vin.

CONSERVEZ CES INSTRUCTIONS

Avertissements de la proposition 65 de l'État de Californie :

AVERTISSEMENT : Ce produit contient au moins un produit chimique connu par l'État de Californie pour être à l'origine de cancers.

AVERTISSEMENT : Ce produit contient au moins un produit chimique connu par l'État de Californie pour être à l'origine de malformations et autres déficiences de naissance.

Mise au rebut de votre vieille cave à vin

⚠ AVERTISSEMENT

Risque de suffoquer

Enlever la porte de votre vieille cave à vin.

Le non-respect de cette instruction peut causer un décès ou des lésions cérébrales.

Si vous vous débarrassez de votre vieille cave à vin, veuillez suivre les instructions suivantes pour aider à éviter les accidents.

Avant de jeter votre vieille cave à vin :

- Enlever la porte.
- Laisser les tablettes en place de sorte que les enfants ne puissent pas y pénétrer facilement.



IMPORTANT : L'emprisonnement et l'étouffement des enfants ne sont pas un problème du passé. Les caves à vin jetées ou abandonnées sont encore dangereuses, même si elles sont laissées abandonnées pendant "quelques jours seulement".

Renseignements importants à propos de la mise au rebut des fluides réfrigérants :

Mettre le réfrigérateur au rebut conformément à la réglementation fédérale et locale. Les fluides réfrigérants doivent être évacués par un technicien certifié et agréé par l'EPA conformément aux procédures établies.

EXIGENCES D'INSTALLATION

Outillage

Outillage requis

Rassembler les outils et pièces nécessaires avant de commencer l'installation.

- Tournevis Phillips

Exigences d'emplacement

⚠ AVERTISSEMENT



Risque d'explosion

Garder les matériaux et les vapeurs inflammables, telle que l'essence, loin de la cave à vin.

Le non-respect de cette instruction peut causer un décès, une explosion ou un incendie.

REMARQUES :

- Il est conseillé de ne pas installer la cave à vin près d'un four, d'un radiateur ou de toute autre source de chaleur.
- Ne pas installer l'appareil en un endroit où la température pourrait descendre en-dessous de 55°F (13°C). Pour un rendement optimal, ne pas installer la cave à vin derrière une porte d'armoire ni obstruer la grille de la base.

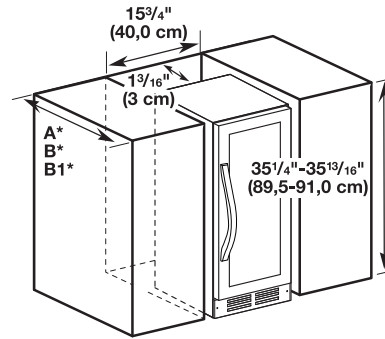
Dimensions de l'ouverture

- Les dimensions de hauteur indiquées correspondent à la configuration selon laquelle les pieds de nivellement sont déployés à la hauteur minimale.

REMARQUE : Lorsque les pieds de nivellement sont complètement déployés, ajouter 5/8" (15 mm) aux dimensions de hauteur.

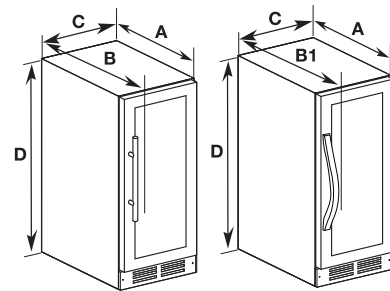
- Si le plancher de l'ouverture n'est pas au même niveau que le plancher de la cuisine, installer des cales pour établir un niveau uniforme avec le plancher de la cuisine.

Modèles de 15"



Dimensions de profondeur	
A*	24 ⁷ / ₈ po (63,2 cm) - sans poignée
B*	26 ⁵ / ₈ po (67,7 cm) - WUW35X15DS
B1*	26 ⁷ / ₈ po (68,2 cm) - WUW55X15HS

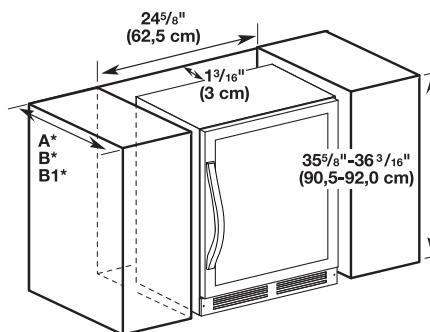
WUW35X15DS WUW55X15HS



Dimensions	
A	21 ⁷ / ₈ po (55,5 cm)
B	25 ¹ / ₂ po (64,7 cm)
B1	25 ¹¹ / ₁₆ po (65,2 cm)
C	15 po (38,0 cm)
D	34 ¹ / ₁₆ po - 34 ⁵ / ₈ po (86,5 cm - 88,0 cm)

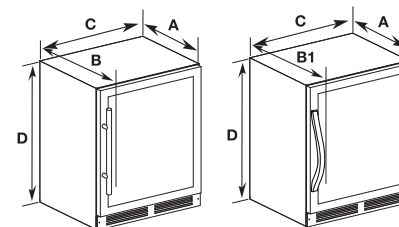
REMARQUE : Un espace libre pour la porte de 10⁵/₈ po (27 cm) est requis pour permettre l'extension complète de la tablette.

Modèles de 24"



Dimensions de profondeur	
A*	24 ⁷ / ₈ po (63,2 cm) - sans poignée
B*	26 ⁵ / ₈ po (67,7 cm) - WUW35X24DS
B1*	26 ⁷ / ₈ po (68,2 cm) - WUW55X24HS

WUW35X24DS WUW55X24HS



Dimensions	
A	21 ⁷ / ₈ po (55,5 cm)
B	25 ¹ / ₂ po (64,7 cm)
B1	25 ¹¹ / ₁₆ po (65,2 cm)
C	23 ¹³ / ₁₆ po (60,5 cm)
D	34 ⁷ / ₁₆ po - 35 po (87,5 cm - 89,0 cm)

REMARQUE : Un espace libre pour la porte de 16¹/₈ po (41 cm) est requis pour permettre l'extension complète de la tablette.

Spécifications électriques

⚠ AVERTISSEMENT



Risque de choc électrique

Brancher sur une prise à 3 alvéoles reliée à la terre.

Ne pas enlever la broche de liaison à la terre.

Ne pas utiliser un adaptateur.

Ne pas utiliser un câble de rallonge.

Le non-respect de ces instructions peut causer un décès, un incendie ou un choc électrique.

Avant de placer la cave à vin à son emplacement final, il est important de vous assurer d'avoir la connexion électrique appropriée.

Méthode recommandée de mise à la terre

Une source d'alimentation électrique à 115 V CA, 60 Hz de 15 ou 20 A protégée par fusibles et avec mise à la terre est nécessaire. Il est recommandé d'utiliser un circuit distinct pour alimenter uniquement votre cave à vin. Utiliser une prise murale qui ne peut pas être mise hors circuit à l'aide d'un commutateur. Ne pas utiliser un câble de rallonge.

REMARQUE : Avant d'exécuter tout type d'installation, de nettoyage ou le remplacement d'une ampoule d'éclairage, débrancher la cave à vin ou déconnecter la source de courant électrique.

INSTRUCTIONS D'INSTALLATION

Déballage de la cave à vin

⚠ AVERTISSEMENT

Risque du poids excessif

Utiliser deux ou plus de personnes pour déplacer et installer la cave à vin.

Le non-respect de cette instruction peut causer une blessure au dos ou d'autre blessure.

Enlèvement des matériaux d'emballage

- Enlever le ruban adhésif et la colle des surfaces de la cave à vin avant de la mettre en marche. Frotter une petite quantité de savon liquide pour la vaisselle sur l'adhésif avec les doigts. Rincer à l'eau tiède et essuyer.
- Ne pas utiliser d'instruments coupants, d'alcool à friction, de liquides inflammables ou de nettoyants abrasifs pour enlever le ruban adhésif ou la colle. Ces produits peuvent endommager la surface de votre cave à vin. Pour plus de renseignements, voir la section "Sécurité de la cave à vin".
- Jeter ou recycler tous les matériaux d'emballage.

Déplacement de votre réfrigérateur :

Votre réfrigérateur est lourd. Lors du déplacement de votre réfrigérateur pour le nettoyage ou un entretien ou réparation, veiller à recouvrir le plancher avec du carton ou un panneau de fibres dures pour éviter qu'il ne subisse tout dommage. Toujours tirer le réfrigérateur tout droit lors de son déplacement. Ne pas incliner le réfrigérateur d'un côté ou de l'autre ni le "faire marcher" en essayant de le déplacer car le plancher pourrait être endommagé.

Nettoyage avant l'utilisation

Après avoir enlevé tous les matériaux d'emballage, nettoyer l'intérieur de la cave à vin avant de l'utiliser. Voir les instructions de nettoyage dans "Entretien de la cave à vin".

Fermeture de la porte

La cave à vin dispose de quatre pieds de réglage de l'aplomb. Si la cave à vin semble instable ou si vous désirez que la porte se ferme plus facilement, ajuster l'inclinaison de la cave à vin en observant les instructions ci-dessous.

⚠ AVERTISSEMENT



Risque de choc électrique

Brancher sur une prise à 3 alvéoles reliée à la terre.

Ne pas enlever la broche de liaison à la terre.

Ne pas utiliser un adaptateur.

Ne pas utiliser un câble de rallonge.

Le non-respect de ces instructions peut causer un décès, un incendie ou un choc électrique.

1. Brancher sur une prise à 3 alvéoles reliée à la terre.

⚠ AVERTISSEMENT

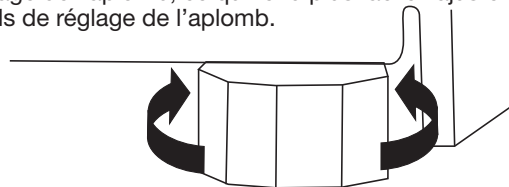
Risque du poids excessif

Utiliser deux ou plus de personnes pour déplacer et installer la cave à vin.

Le non-respect de cette instruction peut causer une blessure au dos ou d'autre blessure.

2. Déplacer la cave à vin à sa position finale.
3. Tourner les pieds de réglage de l'aplomb vers la droite pour abaisser la cave à vin ou tourner les pieds de réglage de l'aplomb vers la gauche pour la soulever. Il peut être nécessaire de tourner les pieds de réglage de l'aplomb plusieurs fois pour ajuster l'inclinaison de la cave à vin.

REMARQUE : Si une autre personne pousse le haut de la cave à vin, le poids devient moins lourd sur les pieds de réglage de l'aplomb, ce qui rend plus facile l'ajustement des pieds de réglage de l'aplomb.



- Ouvrir la porte et s'assurer qu'elle ferme comme vous le désirez. Si ce n'est pas le cas,, incliner la cave à vin un peu plus vers l'arrière en tournant les deux vis de réglage de l'aplomb avant vers la gauche.

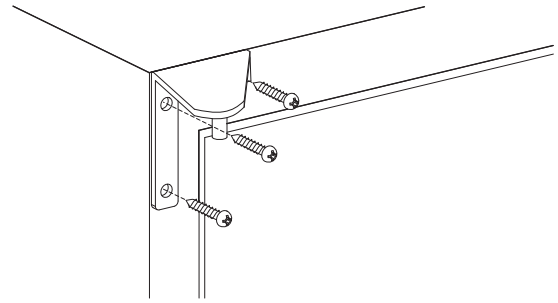
Plusieurs tours peuvent être nécessaires et il convient de tourner les deux pieds de réglage de l'aplomb de façon égale.

Portes de la cave à vin

Outils nécessaires : Tournevis cruciforme n° 2

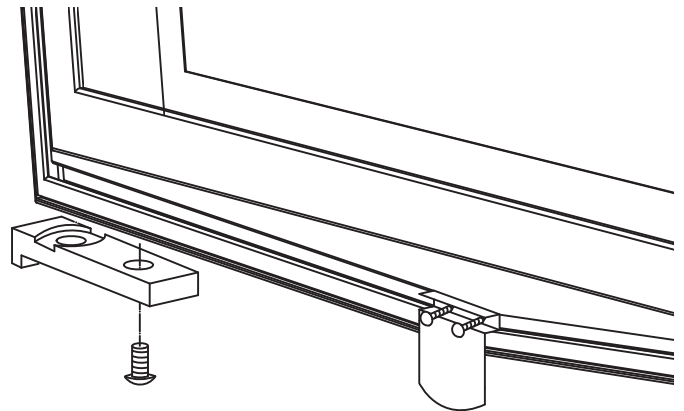
Démontage – Porte et charnières

- Ouvrir la porte à un angle de 90° et retirer les vis de la charnière de porte inférieure.
- Retirer la porte en la tirant vers l'avant pour la dégager de la cave à vin.
- Retirer les trois vis de la charnière supérieure et retirer la charnière.



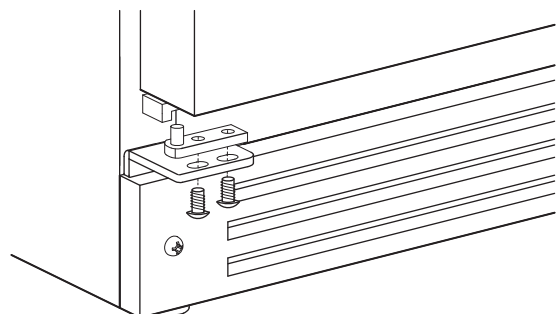
REMARQUE : La charnière gauche se trouve dans le sac du Guide d'utilisation et d'entretien.

- Insérer les trois vis décoratives retirées à l'étape 3 dans les trois trous situés dans le coin supérieur droit de l'avant de la cave à vin.
- Retirer les vis du contacteur mécanique et de la butée de porte; retirer le contacteur mécanique et la butée de porte. Fixer le contacteur mécanique et la butée de porte au côté opposé de la porte.



REMARQUE : Les vis du contacteur mécanique de la porte se trouvent derrière le joint. Retirer d'abord le joint, puis retirer les vis du contacteur mécanique de la porte. Après avoir réinstallé le contacteur mécanique de la porte, placer le joint dans sa position d'origine.

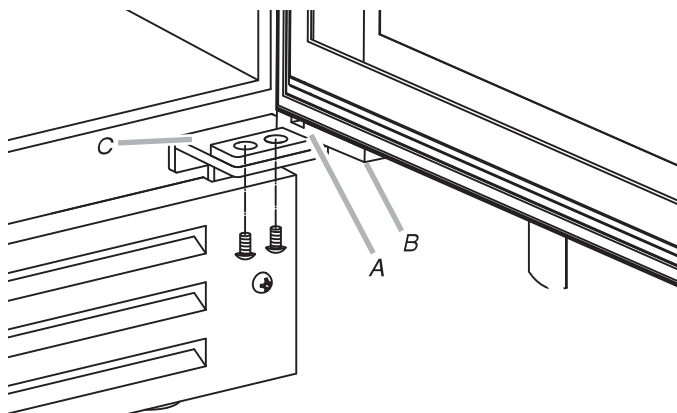
- Enlever le logo Whirlpool. (Sur les modèles : WUW55X15HS et WUW55X24HS)
- Fixer la charnière de porte inférieure dans le sens opposé d'ouverture de la porte et faire basculer la porte à 180° de manière à ce que la charnière se trouve à présent au bas de la porte.
- Insérer le coin supérieur de la porte dans l'axe de la charnière supérieure et réinstaller la porte sur la cave à vin.
- Appuyer la porte et l'axe de la charnière inférieure sur la charnière inférieure.



Inversion du sens de l'ouverture de la porte (facultatif)

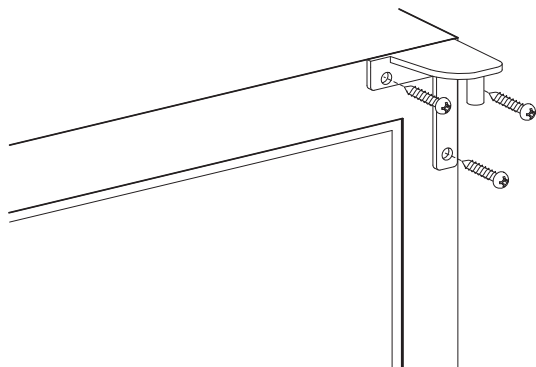
REMARQUE : Il existe deux charnières pour une inversion du sens de l'ouverture de la porte, une pour une ouverture vers la droite et une pour une ouverture vers la gauche. Installer la charnière supérieure conçue pour l'ouverture de la porte dans le sens désiré.

- Retirer les deux vis fixant la charnière inférieure à la porte.



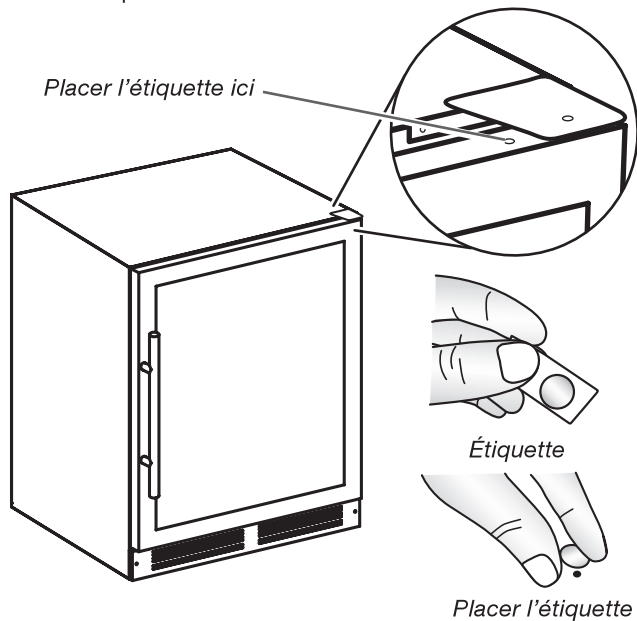
A. Axe de la charnière inférieure
B. Butée de porte
C. Charnière de porte inférieure

- Retirer la porte en la soulevant, puis en la dégageant de la cave à vin.
- Retirer les trois vis décoratives du coin supérieur gauche de l'avant de la cave à vin.
- Retirer les trois vis de la charnière supérieure droite; retirer la charnière supérieure droite.



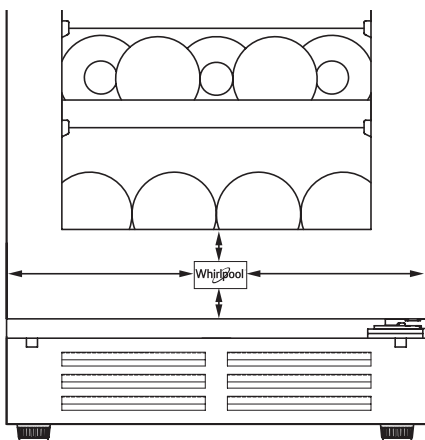
- À l'aide des trois vis retirées à l'étape précédente, fixer la charnière supérieure gauche au coin supérieur gauche à l'avant de la cave à vin.

12. Placer l'étiquette sur le dessus du cellier.



13. Après avoir changé la porte (charnière gauche), replacer le logo Whirlpool au bas de la cave à vin. (Sur les modèles : WUW55X15HS et WUW55X24HS)

REMARQUE : L'étiquette et le logo Whirlpool se trouvent dans le sac du Guide d'utilisation et d'entretien.



14. Vérifier que la porte et les joints de porte sont bien alignés.

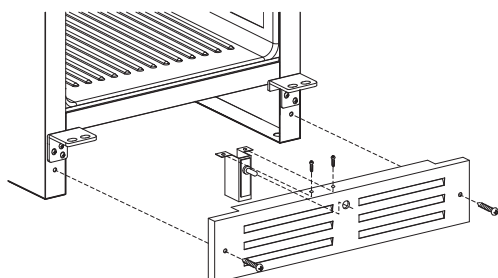
15. Serrer les vis de charnière (au besoin).

Grille de la base

L'utilisateur doit retirer la grille de la base pour pouvoir accéder aux serpentins du condenseur lors du nettoyage.

Dépose de la grille de la base :

1. Ouvrir la porte de la cave à vin.
2. À l'aide d'un tournevis cruciforme, ôter les deux vis de la grille de la base.
3. Ôter les deux vis maintenant le contacteur mécanique à la grille.



4. Retirer la grille de la base.

Réinstallation de la grille de la base :

1. Ouvrir la porte de la cave à vin.
2. Fixer à nouveau le contacteur mécanique à l'aide des deux vis du capteur.
3. Réinstaller les deux vis de la grille de la base. Serrer les vis.

Manette

REMARQUE : Seulement pour les modèles WUW55X15HS et WUW55X24HS.

⚠ AVERTISSEMENT

Risque du poids excessif

Utiliser deux ou plus de personnes pour déplacer et installer la cave à vin.

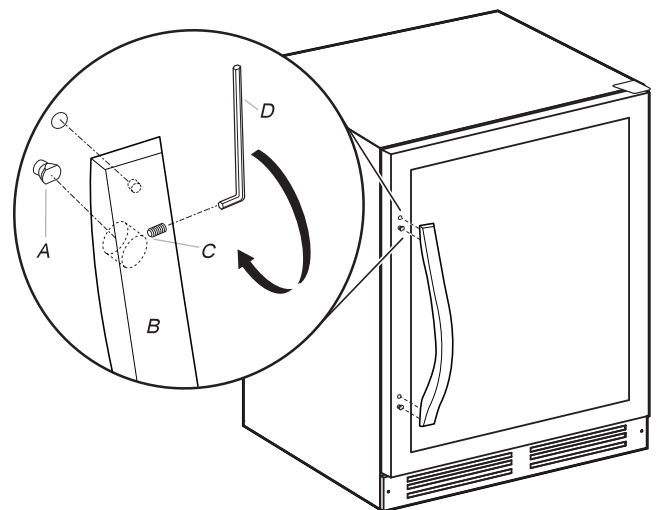
Le non-respect de cette instruction peut causer une blessure au dos ou d'autre blessure.

Conseil utile : Conserver une feuille de carton sous la cave à vin jusqu'à son installation dans l'ouverture d'encastrement entre les placards. La feuille de carton protégera le plancher durant l'installation.

REMARQUES :

- Pour faciliter l'installation, placer la cave à vin sur le dos à l'aide d'au moins 2 personnes.
 - Pour éviter d'égratigner le panneau avant, placer un chiffon doux ou une serviette contre le panneau pendant l'installation de la poignée de porte.
 - Des vis de calage sont préinstallées dans la poignée.
1. Retirer de la poche de plastique à bulles la poignée de porte et le sachet de pièces qui contient la clé hexagonale.
 2. Placer la poignée sur les goujons de montage. Les vis de calage doivent être orientées vers le bas, lorsqu'elles sont installées correctement. Si la poignée est installée à l'envers, l'installation ne sera pas correcte.
 3. Appuyer fermement la poignée de porte contre la porte.
 4. Insérer l'extrémité courte de la clé hexagonale dans les vis de calage. Serrer chaque vis de calage de $\frac{1}{4}$ de tour au-delà de la prise de contact. La vis de calage ne sera pas enfoncée dans la poignée.
 5. Répéter l'étape 4 pour l'autre vis de calage.
 6. Conserver la clé hexagonale avec les instructions d'installation.

REMARQUE : La procédure d'installation complète de la poignée devrait prendre moins de 5 minutes.



A. Goujon de montage
B. Poignée de porte

C. Vis de calage
D. Clé hexagonale

UTILISATION DE LA CAVE À VIN

Sons normaux

Il est possible que la cave à vin neuve émette des sons que l'appareil précédent ne produisait pas. Comme ces sons sont nouveaux, ils peuvent vous inquiéter. La plupart de ces nouveaux sons sont normaux. Les sons peuvent vous sembler plus forts avec des surfaces dures telles que le plancher et les structures adjacentes. Les descriptions suivantes indiquent les genres de sons et leur cause possible.

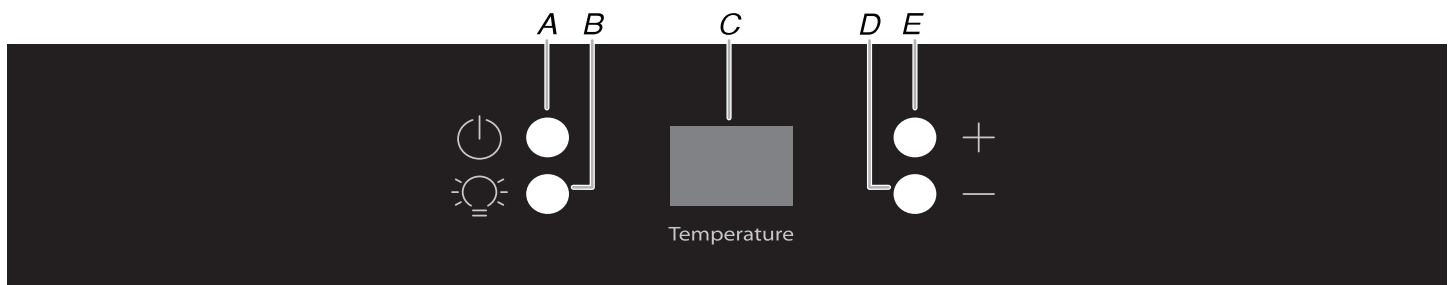
■ La cave à vin est conçue pour fonctionner de manière plus efficace afin de conserver votre vin aux températures désirées et de minimiser la consommation d'énergie. Le compresseur et les ventilateurs à haute efficacité peuvent faire fonctionner votre cave à vin plus longtemps que l'ancienne. Il se peut également que vous entendiez un bruit saccadé ou aigu provenant du compresseur ou des ventilateurs qui s'ajustent pour optimiser la performance.

- Des vibrations sonores peuvent provenir de l'écoulement du réfrigérant ou d'articles placés dans la cave à vin.
- À la fin de chaque programme, il se peut que vous entendiez un gargouillement attribuable au réfrigérant qui se trouve dans votre cave à vin.
- Vous pouvez entendre l'écoulement de l'eau dans le plat de récupération d'eau de dégivrage lorsque la cave à vin dégivre.
- Vous pouvez entendre des déclics lorsque la cave à vin se met en marche ou s'arrête.

Utilisation de la commande

La commande des modèles de style 1 et 2 est située sur la partie supérieure avant du compartiment de la cave à vin. Les températures par défaut sont en °F.

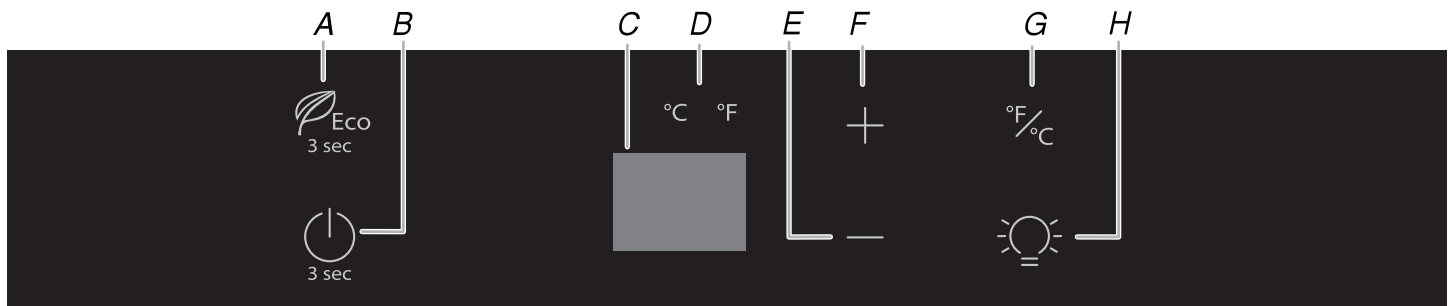
Style 1 : Modèles WUW35X15DS et WUW35X24DS



A. Mise sous/hors tension
B. Éclairage
C. Affichage du compartiment

D. Baisser la température
E. Augmenter la température

Style 2 : Modèle WUW55X15HS



A. Mode éco
B. Mise sous/hors tension

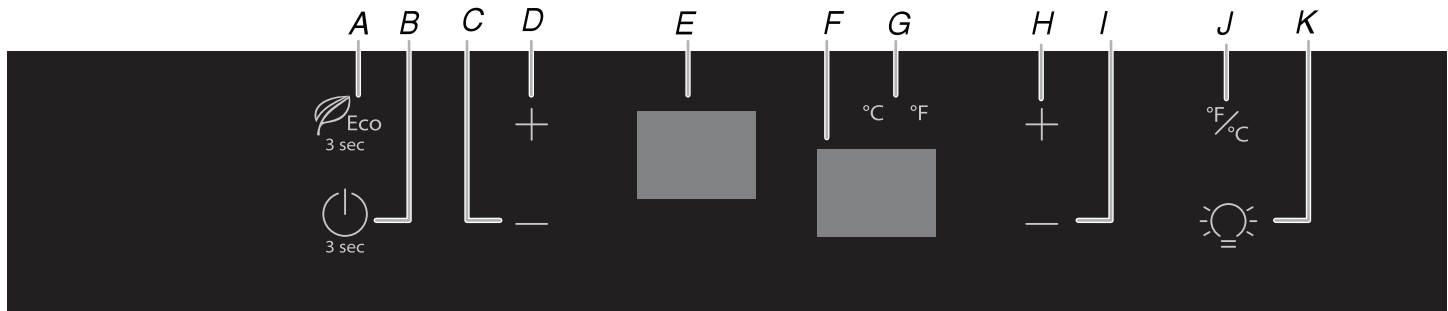
C. Affichage du compartiment
D. Indicateur de température

E. Baisser la température
F. Augmenter la température

G. Commande F/C
H. Éclairage

Style 3 : Modèle WUW55X24HS

Sur ce modèle, la commande est située au milieu du compartiment de la cave à vin.



A. Mode éco

B. Mise sous/hors tension

C. Baisser la température (compartiment supérieur)

D. Augmenter la température (compartiment supérieur)

E. Affichage compartiment supérieur

F. Affichage compartiment inférieur

G. Indicateur de température

H. Augmenter la température (compartiment inférieur)

I. Baisser la température (compartiment inférieur)

J. Commande F/C

K. Éclairage

Commandes

Pour votre commodité, la commande de la cave à vin est pré-réglée à l'usine.

Pour les modèles à compartiment unique (WUW35X15DS, WUW35X24DS, WUW55X15HS), la température est pré-réglée à 54 °F (12 °C). Pour le modèle à deux compartiments (WUW55X24HS), la température du compartiment supérieur est pré-réglée à 45 °F (7 °C) et la température du compartiment inférieur est pré-réglée à 54 °F (12 °C).

- Lorsque l'appareil est sous tension, l'affichage de température indique la température réglée du compartiment. Attendre 24 heures pour que la cave à vin refroidisse complètement avant d'y placer du vin.

REMARQUE : Le fait de régler la commande de la cave à vin à une température plus froide que ce qui est recommandé ne refroidira pas le compartiment plus rapidement.

Allumer/éteindre la cave à vin :

- Appuyer sur le bouton ou la touche tactile de mise sous tension de la cave à vin pendant 3 secondes pour allumer le système de refroidissement de la cave à vin.
- Appuyer sur le bouton ou la touche tactile de mise sous/hors tension pendant 3 secondes pour éteindre la cave à vin. Un compte à rebours de 3 secondes apparaît sur l'affichage du compartiment. Appuyer sur le bouton ou la touche tactile de l'éclairage pour activer ou désactiver l'éclairage du compartiment de la cave à vin.

Augmenter et baisser la température des compartiments :

- Appuyer sur le bouton ou la touche tactile d'augmentation de la température jusqu'à ce que la température souhaitée soit atteinte dans le compartiment souhaité, indiquée sur l'affichage de compartiment.
- Appuyer sur le bouton ou la touche tactile de diminution de la température jusqu'à ce que la température souhaitée soit atteinte dans le compartiment souhaité, indiquée sur l'affichage de compartiment.

Allumer ou éteindre l'éclairage :

- Appuyer sur le bouton ou la touche tactile de l'éclairage pour allumer et éteindre l'éclairage du compartiment de la cave à vin. La cave à vin reste éclairée pendant 10 minutes (même lorsque la porte est fermée) lorsque l'éclairage est activé. Lorsque l'éclairage est désactivé, le compartiment de la cave à vin s'allume lorsque la porte est ouverte. L'éclairage s'éteint lorsque la porte est fermée.

Modification du réglage de température (sur certains modèles) :

- Pour les modèles munis de la touche tactile °F/°C, appuyer sur le bouton ou la touche tactile °F/°C pour passer des degrés Fahrenheit aux degrés Celsius ou des degrés Celsius aux degrés Fahrenheit. Le °F ou le °C sur la touche tactile de l'indicateur de température s'allume pour indiquer le réglage de température utilisé.
- Pour les modèles dépourvus du bouton ou de la touche tactile de commande °F/°C, appuyer pendant 3 secondes sur les boutons/les touches tactiles d'augmentation et de diminution de la température. Un compte à rebours de 3 secondes s'affiche.

Utilisation du mode éco (sur certains modèles) :

Lorsque le mode éco est activé, l'affichage du compartiment s'éteint lorsque la porte est fermée. Lorsque la porte de la cave à vin est ouverte, l'éclairage reste allumé jusqu'à ce que la porte soit fermée. Le témoin du bouton ou de la touche tactile d'éclairage, ainsi que le témoin du bouton ou de la touche tactile °F/°C fonctionnent normalement.

- Pour activer le mode éco, appuyer sur le bouton du mode éco pendant 3 secondes. Un compte à rebours de 3 secondes est affiché.
- Pour désactiver le mode éco, appuyer sur le bouton du mode éco pendant 3 secondes. Un compte à rebours de 3 secondes s'affiche et la cave à vin revient à un fonctionnement normal.

Réglage de la commande :

S'il est nécessaire d'ajuster la température, attendre au moins 24 heures entre chaque ajustement, puis vérifier de nouveau la température.

Pour rendre la cave à vin plus froide, régler la commande à une température plus basse. Pour rendre la cave à vin moins froide, régler la commande à une température plus élevée.

REMARQUE : Sur certains modèles, le réglage de la commande de température augmente ou baisse la température des compartiments correspondants, mais pas des deux compartiments.

Délimiteur de température (affichage de la température) (sur certains modèles)

Le délimiteur de température affiche les températures actuelles (Fahrenheit ou Celsius) pour les compartiments supérieur et inférieur de la cave à vin. Pour régler les réglages de température, voir "Réglage de la commande" plus haut dans cette section.

Emplacements de stockage recommandés (sur certains modèles)

Pour connaître les températures optimales pour la conservation et le service du vin, utiliser le réglage de température recommandé par le producteur du vin. Consulter l'étiquette du vin pour les détails. Pour l'entreposage du vin pendant une courte période (quelques mois), la température recommandée est de 55 °F (13 °C).

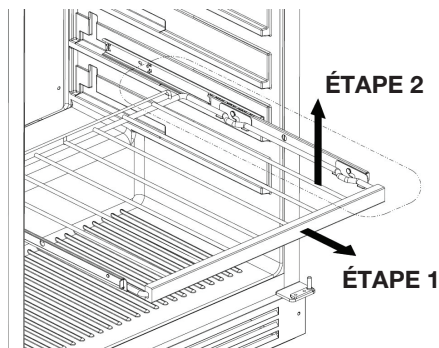
VINS	COMPARTIMENT
blanc	supérieur
rosé	inférieur
rouge	inférieur

Casiers à vin

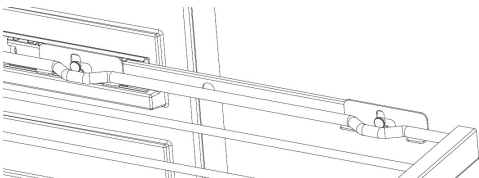
Retrait et réinstallation des casiers supérieur et intermédiaire

Pour retirer les casiers :

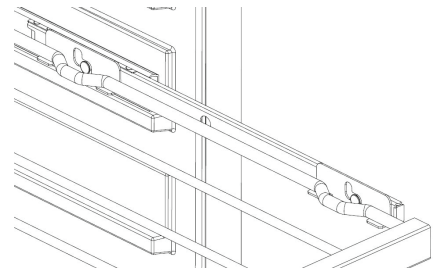
1. Tirer le casier vers l'avant jusqu'à la butée.



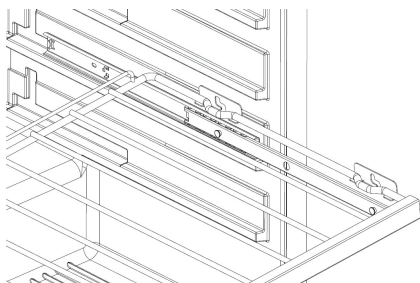
2. Soulever un côté du casier sans arrêter de le tenir.



3. Tirer la glissière de côté vers l'avant et pousser le casier vers l'intérieur en même temps. Les goupilles du support se déplacent vers l'avant.



4. Soulever de nouveau le casier pour dégager les supports du casier des goupilles du support.



5. Dégager l'autre côté du casier et répéter les étapes 1 à 4.

Pour replacer les casiers :

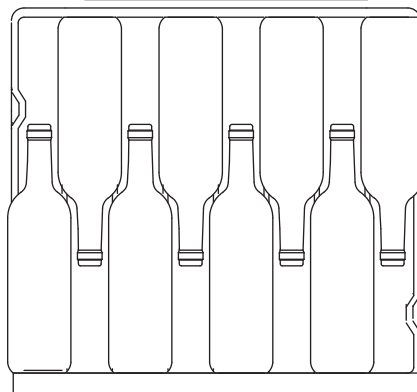
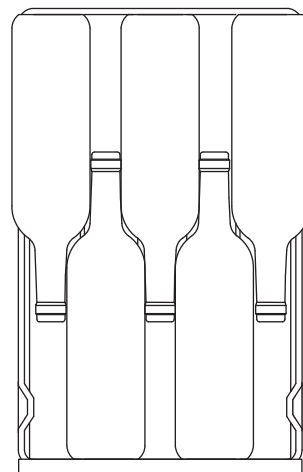
1. Insérer le casier dans le compartiment et le faire coulisser vers l'arrière de la cave à vin.
2. Aligner les goupilles du support avec les fentes du support de casier.
3. Tirer le casier vers l'avant et pousser la glissière vers l'intérieur en même temps, jusqu'à ce que les goupilles du support soient bien en place.

Stockage dans la cave à vin

REMARQUE : Pour une conservation optimale du vin, placer les vins blancs dans la partie supérieure de la cave à vin, les vins rosés au centre et les vins rouges dans la partie inférieure.

Stockage dans la cave à vin

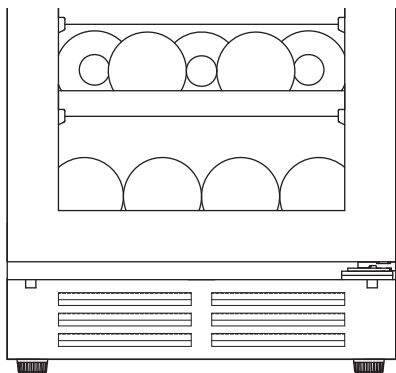
1. Commencer le stockage dans la cave à vin par le présentoir du bas.
2. En commençant par le côté gauche, placer la première bouteille dans le casier sur le côté, le goulot de la bouteille vers l'avant de la cave à vin.



Avant du casier

3. Placer la bouteille suivante à côté, le goulot de la bouteille vers l'arrière de la cave à vin.
4. Alterner ainsi jusqu'à ce que le présentoir soit plein.
5. Pousser le casier jusqu'au fond avant de tirer le prochain casier vers l'avant.

6. Tirer le casier suivant vers l'avant et répéter les étapes 2 à 4; répéter pour les casiers restants.
7. Pour stocker des bouteilles dans le fond de la cave à vin, placer les bouteilles dans les rainures du fond de la cave à vin, le goulot face à l'arrière de la cave à vin.



Éclairage de la cave à vin

La cave à vin possède une lampe intérieure qui s'allume chaque fois que la porte est ouverte. On peut aussi laisser la lumière allumée en permanence en appuyant sur le côté gauche du commutateur situé près de la commande de température, sur la grille de la base.

REMARQUE : La lampe est une DEL qui ne doit pas être remplacée par l'utilisateur. Si la DEL ne s'allume pas quand on ouvre la porte, appeler le service d'entretien pour faire changer la lampe. Voir la section "Assistance ou service" pour savoir qui contacter.

ENTRETIEN DE LA CAVE À VIN

Nettoyage

AVERTISSEMENT



Risque d'explosion

Utiliser un produit de nettoyage ininflammable.
Le non-respect de cette instruction peut causer un décès, une explosion ou un incendie.

Nettoyer la cave à vin environ une fois par mois pour empêcher une accumulation d'odeurs. Essuyer les renversements immédiatement.

Pour nettoyer la cave à vin :

1. Débrancher la cave à vin ou déconnecter la source de courant électrique.
2. Retirer tous les casiers de l'intérieur de la cave à vin.
3. Nettoyer l'intérieur.

Style 1 - Modèles avec garniture en acier inoxydable

Utiliser une éponge propre ou un linge doux et un détergent doux dilué dans de l'eau tiède, laver à la main et rincer soigneusement les pièces amovibles et les surfaces intérieures. Sécher avec un chiffon doux.

Style 2 - Modèles avec garniture en bois

IMPORTANT : Pour éviter d'endommager les pièces de garniture en bois, les essuyer avec une éponge propre ou un chiffon doux et de l'eau tiède. Ne pas utiliser de détergent ni immerger le casier tout entier dans l'eau lors du nettoyage.

Utiliser une éponge propre ou un linge doux et un détergent doux dilué dans de l'eau tiède, laver à la main et rincer soigneusement les pièces amovibles et les surfaces intérieures. Sécher avec un chiffon doux.

- Ne pas utiliser de nettoyants puissants ou abrasifs tels que les nettoyants à vitre en atomiseurs, nettoyants à récurer, liquides inflammables, cires nettoyantes, détergents concentrés, agents de blanchiment ou nettoyants contenant du pétrole sur les pièces en plastique, les garnitures intérieures et garnitures de portes ou sur les joints de portes. Ne pas utiliser d'essuie-tout, tampons à récurer ou autres outils de nettoyage abrasifs. Ces produits risquent d'égratigner ou d'endommager les matériaux.

- Pour aider à éliminer les odeurs, on peut laver les parois intérieures avec un mélange d'eau tiède et de bicarbonate de sodium (2 c. à soupe pour 1 pinte [26 g à 0,95 L] d'eau).

4. Laver les surfaces extérieures en acier inoxydable et surfaces extérieures peintes avec une éponge propre ou un linge doux et un détergent doux dans de l'eau tiède. Ne pas utiliser de produits de nettoyage forts ou abrasifs ni de nettoyants à base de chlore. Ces produits risquent d'égratigner ou d'endommager les matériaux. Sécher parfaitement avec un linge doux.

REMARQUE : Pour que la cave à vin en acier inoxydable conserve son aspect neuf et pour enlever les petites égratignures ou marques, il est suggéré d'utiliser le nettoyant et poli pour acier inoxydable approuvé par le fabricant. Pour commander le nettoyant, voir la section "Accessoires".

IMPORTANT : Ce nettoyant doit être utilisé sur les pièces en acier inoxydable uniquement.

Veiller à ce que le nettoyant et poli pour acier inoxydable n'entre pas en contact avec les pièces de plastique telles que garnitures, couvercles de distributeurs ou joints de porte. En cas de contact non intentionnel, nettoyer la pièce de plastique avec une éponge et un détergent doux dans de l'eau tiède. Sécher parfaitement avec un linge doux.

5. Réinstaller les casiers.
6. Nettoyer régulièrement les serpentins du condenseur. Ils sont situés derrière la grille de la base. Il se peut que les serpentins aient besoin d'être nettoyés tous les deux mois. Ce nettoyage peut aider à économiser de l'énergie.
 - Retirer la grille de la base. Voir la section "Grille de la base".
 - Utiliser un aspirateur avec un accessoire long pour nettoyer les serpentins du condenseur lorsqu'ils sont sales ou poussiéreux.
 - Réinstaller la grille de la base.
7. Brancher la cave à vin ou reconnecter la source de courant électrique.

Précautions à prendre pour les vacances et avant un déménagement

Vacances

Si vous choisissez d'arrêter la cave à vin avant de partir, suivre ces étapes.

1. Enlever toutes les bouteilles de la cave à vin.
2. Débrancher la cave à vin.
3. Nettoyer la cave à vin. Voir la section "Nettoyage".
4. À l'aide de ruban adhésif, placer un bloc de caoutchouc ou de bois dans la partie supérieure de la porte de façon à ce qu'elle soit suffisamment ouverte pour permettre l'entrée de l'air à l'intérieur, afin d'éviter l'accumulation d'odeur ou de moisissure.

Déménagement

Lors d'un déménagement ou du déplacement de la cave à vin dans une nouvelle habitation, suivre ces étapes.

1. Enlever toutes les bouteilles de la cave à vin.
2. Débrancher la cave à vin.
3. Nettoyer, essuyer et sécher à fond.
4. Retirer toutes les pièces amovibles, bien les envelopper et les attacher ensemble à l'aide de ruban adhésif pour qu'elles ne bougent pas ni ne s'entrechoquent durant le déménagement.
5. Fermer les portes à l'aide de ruban adhésif et fixer le cordon d'alimentation à la cave à vin.

Lorsque vous arriverez à votre nouvelle habitation, remettre tout en place et consulter la section "Instructions d'installation" pour les instructions de préparation.

DÉPANNAGE

Essayer les solutions suggérées ici d'abord afin d'éviter le coût d'une visite de service non nécessaire.

Votre cave à vin ne fonctionne pas

AVERTISSEMENT



Risque de choc électrique

Brancher sur une prise à 3 alvéoles reliée à la terre.

Ne pas enlever la broche de liaison à la terre.

Ne pas utiliser un adaptateur.

Ne pas utiliser un câble de rallonge.

Le non-respect de ces instructions peut causer un décès, un incendie ou un choc électrique.

- **Le cordon d'alimentation électrique est-il débranché?**
Brancher sur une prise à 3 alvéoles reliée à la terre.
- **Un fusible est-il grillé ou le disjoncteur s'est-il déclenché?**
Remplacer le fusible ou réenclencher le disjoncteur.
- **La commande de la cave à vin est-elle réglée à la position Off (arrêt)?** Voir la section "Utilisation de la commande".

L'éclairage ne fonctionne pas

- **Le cordon d'alimentation électrique est-il débranché?**
Brancher sur une prise à 3 alvéoles reliée à la terre.
- Votre cave à vin est équipé de lampes DEL qui n'ont pas besoin d'être changées. Si la cave à vin est alimentée et que les lampes ne s'allument pas lorsque la porte est ouverte, téléphoner pour obtenir de l'assistance ou un entretien.

Le moteur semble fonctionner excessivement

- **La température ambiante est-elle plus élevée que d'habitude?** Prévoir que le moteur fonctionnera plus longtemps dans des conditions de chaleur. Pour des températures extérieures normales, prévoir que le moteur fonctionne à peu près 40 % à 80 % du temps. Dans des conditions plus chaudes, prévoir un fonctionnement encore plus fréquent.
- **La porte est-elle ouverte fréquemment?** Prévoir que le moteur fonctionnera plus longtemps dans ce cas. Afin de conserver de l'énergie, essayer de sortir de la cave à vin tout ce dont vous avez besoin en une fois, garder les bouteilles de vin avec l'étiquette orientée vers le haut de sorte qu'elles soient faciles à trouver et fermer la porte dès que le vin a été retiré.
- **Le réglage est-il correct pour les conditions existantes?** Voir la section "Utilisation de la commande".
- **La porte est-elle bien fermée?** Pousser la porte pour qu'elle soit bien fermée. Si elle ne ferme pas complètement, voir "La porte ne ferme pas complètement" plus loin dans cette section.
- **Les serpentins du condenseur sont-ils sales?** Cette situation fait obstruction au transfert de l'air et fait travailler davantage le moteur. Nettoyer les serpentins du condenseur. Voir la section "Nettoyage".

La température est trop élevée

- **La porte est-elle ouverte fréquemment?** Prévoir que la cave à vin deviendra tiède dans ce cas. Pour garder la cave à vin froide, essayer de sortir de la cave à vin tout ce dont vous avez besoin en une fois, garder les bouteilles de vin avec l'étiquette orientée vers le haut de sorte qu'elles soient faciles à trouver et fermer la porte dès que le vin a été retiré.
- **Le réglage est-il correct pour les conditions existantes?** Voir la section "Utilisation de la commande".
- **La grille de la base est-elle obstruée?** Pour de meilleures performances, ne pas installer la cave à vin derrière une porte de placard ni bloquer la grille de la base.

De l'humidité s'accumule à l'intérieur

- **La porte est-elle ouverte fréquemment?** Pour éviter l'accumulation d'humidité, essayer de sortir de la cave à vin tout ce dont vous avez besoin en une fois, garder les bouteilles de vin avec l'étiquette orientée vers le haut de sorte qu'elles soient faciles à trouver et fermer la porte dès que le vin a été retiré. Lorsque la porte est ouverte, l'humidité de l'air extérieur pénètre dans la cave à vin. Plus la porte est ouverte, plus l'humidité s'accumule rapidement, surtout lorsque la pièce est elle-même déjà très humide.
- **La pièce est-elle humide?** Il est normal que de l'humidité s'accumule à l'intérieur de la cave à vin lorsque l'air est humide.
- **Le réglage de la commande est-il correct pour les conditions existantes?** Voir la section "Utilisation de la commande".

La porte est difficile à ouvrir

AVERTISSEMENT



Risque d'explosion

Utiliser un produit de nettoyage ininflammable.

Le non-respect de cette instruction peut causer un décès, une explosion ou un incendie.

- **Le joint est-il sale ou collant?** Nettoyer le joint et la surface avec laquelle il est en contact. Frotter en appliquant une fine couche de paraffine sur le joint après le nettoyage.

La porte ne ferme pas complètement

- **Les casiers sont-ils bien en place?** Remettre les casiers à la bonne position. Voir la section "Utilisation de la cave à vin" pour plus de renseignements.

AVERTISSEMENT



Risque d'explosion

Utiliser un produit de nettoyage ininflammable.

Le non-respect de cette instruction peut causer un décès, une explosion ou un incendie.

- **Le joint colle-t-il?** Nettoyer le joint et la surface avec laquelle il est en contact. Frotter en appliquant une fine couche de paraffine sur le joint après le nettoyage.
- **La porte a-t-elle été installée correctement?** Si le sens de la porte n'a pas été inversé correctement, il peut être nécessaire de la réinstaller. Voir la section "Inversion de l'ouverture de la porte".

ASSISTANCE OU ENTRETIEN

Avant de faire un appel pour de l'assistance ou un entretien, veuillez vérifier la section "Dépannage". Cette vérification peut vous faire économiser le coût d'une visite d'entretien. Si vous avez encore besoin d'aide, suivez les instructions ci-dessous.

Lors d'un appel, veuillez connaître la date d'achat et les numéros de modèle et de série complets de votre appareil. Ces renseignements nous aideront à mieux répondre à votre demande.

Si vous avez besoin de pièces de rechange

Si vous avez besoin de commander des pièces de rechange, nous vous recommandons d'utiliser seulement les pièces de rechange spécifiées par l'usine. Les pièces de rechange spécifiées par l'usine fonctionneront bien et fonctionneront bien parce qu'elles sont fabriquées selon les mêmes spécifications précises utilisées pour fabriquer chaque nouvel appareil WHIRLPOOL®.

Pour savoir où trouver des pièces de rechange spécifiées par l'usine dans votre région, nous appelons ou contactons le centre de service désigné le plus proche.

Aux États-Unis

Téléphoner au Centre pour l'eXpérience de la clientèle de Whirlpool sans frais : **1 800 422-1230**.

Nos consultants fournissent de l'assistance pour :

- Caractéristiques et spécifications de notre gamme complète d'appareils ménagers.
- Renseignements d'installation.
- Procédés d'utilisation et d'entretien.
- Vente d'accessoires et de pièces de rechange.
- Assistance spécialisée au client (langue espagnole, malentendants, malvoyants, etc.).
- Références aux concessionnaires, compagnies de service de réparation et distributeurs de pièces de rechange locaux. Les techniciens de service désignés par Whirlpool sont formés pour remplir la garantie des produits et fournir un service après garantie partout aux États-Unis.

Pour localiser la compagnie de service désignée par Whirlpool dans votre région, vous pouvez également consulter les Pages jaunes.

Pour plus d'assistance

Si vous avez besoin de plus d'assistance, vous pouvez écrire à Whirlpool en soumettant toute question ou problème à :

Whirlpool Brand Home Appliances
Customer eXperience Center
553 Benson Road
Benton Harbor, MI 49022-2692

Dans votre correspondance, veuillez indiquer un numéro de téléphone où l'on peut vous joindre dans la journée.

Au Canada

Téléphoner sans frais au Centre pour l'eXpérience de la clientèle de Whirlpool Canada au : **1 800 807-6777**.

Nos consultants fournissent de l'assistance pour :

- Caractéristiques et spécifications de notre gamme complète d'appareils ménagers.
- Procédés d'utilisation et d'entretien.
- Vente d'accessoires et de pièces de rechange.
- Références aux concessionnaires, compagnies de service de réparation et distributeurs de pièces de rechange locaux. Les techniciens de service désignés par Whirlpool Canada sont formés pour remplir la garantie des produits et fournir un service après la garantie, partout au Canada.

Pour plus d'assistance

Si vous avez besoin de plus d'assistance, vous pouvez écrire à Whirlpool Canada en soumettant toute question ou problème à :

Whirlpool Canada
Centre pour l'eXpérience de la clientèle
1901 Minnesota Court
Mississauga, Ontario L5N 3A7

Dans votre correspondance, veuillez indiquer un numéro de téléphone où l'on peut vous joindre dans la journée.

Accessoires

Les accessoires suivants sont disponibles pour votre cave à vin. Pour commander un accessoire, nous contacter et demander le numéro de pièces.

Aux É.-U., consulter notre page Web à l'adresse **www.whirlpool.com/accessories** ou composer le **1 800 253-1301**.

Au Canada, consulter notre page Web à l'adresse **www.whirlpoolparts.ca** ou composer le **1 800 807-6777**.

Nettoyant et poli pour acier inoxydable

Commander la pièce n° 4396095

GARANTIE LIMITÉE DES APPAREILS DE RÉFRIGÉRATION WHIRLPOOL®

ATTACHEZ ICI VOTRE REÇU DE VENTE. UNE PREUVE D'ACHAT EST OBLIGATOIRE POUR OBTENIR L'APPLICATION DE LA GARANTIE.

Lorsque vous appelez le centre d'eXpérience de la clientèle, veuillez garder à disposition les renseignements suivants :

- Nom, adresse et numéro de téléphone
- Numéros de modèle et de série
- Une description claire et détaillée du problème rencontré
- Une preuve d'achat incluant le nom et l'adresse du marchand ou du détaillant

SI VOUS AVEZ BESOIN DE SERVICE :

1. Avant de nous contacter pour obtenir un dépannage, veuillez déterminer si des réparations sont nécessaires pour votre produit. Certains problèmes peuvent être résolus sans intervention de dépannage. Prenez quelques minutes pour parcourir la section Dépannage ou Résolution de problèmes du guide d'utilisation et d'entretien, scannez le code QR ci-contre avec votre téléphone intelligent pour accéder à des ressources supplémentaires, ou rendez-vous sur le site <http://www.whirlpool.ca>.
2. Tout service sous garantie doit être effectué exclusivement par nos fournisseurs de dépannage autorisés Whirlpool. Aux É.-U. et au Canada, dirigez toutes vos demandes de service sous garantie au

Centre d'eXpérience de la clientèle Whirlpool

Aux É.-U., composer le 1-800-253-1301. Au Canada, composer le 1-800-807-6777.

Si vous résidez à l'extérieur du Canada et des 50 États des États-Unis, contactez votre marchand Whirlpool autorisé pour déterminer si une autre garantie s'applique.



<http://www.whirlpool.ca>

GARANTIE LIMITÉE DE CINQ ANS

CE QUI EST COUVERT

GARANTIE LIMITÉE

Pendant un an à compter de la date d'achat, lorsque ce gros appareil ménager est installé, utilisé et entretenu conformément aux instructions jointes à ou fournies avec le produit, Whirlpool Corporation ou Whirlpool Canada LP (ci-après désignées "Whirlpool") décidera à sa seule discrétion de remplacer le produit ou de couvrir le coût des pièces de remplacement spécifiées par l'usine et de la main-d'oeuvre nécessaires pour corriger les vices de matériaux ou de fabrication qui existaient déjà lorsque ce gros appareil ménager a été acheté. S'il est remplacé, votre appareil restera sous garantie pour la durée restante à courir de la période de garantie sur le produit d'origine.

GARANTIE LIMITÉE DE LA DEUXIÈME À LA CINQUIÈME ANNÉE INCLUSIVEMENT SUR LA DOUBLURE DE LA CAVITÉ ET SUR LE SYSTÈME DE RÉFRIGÉRATION SCÉLLÉ

De la deuxième à la cinquième année inclusivement à compter de la date d'achat initiale, lorsque ce gros appareil ménager est installé, utilisé et entretenu conformément aux instructions jointes au produit ou fournies avec, la marque Whirlpool paiera pour les pièces de rechange spécifiées par l'usine et la main-d'oeuvre concernant les composants suivants pour corriger les défauts non esthétiques de matériau ou de fabrication de ladite pièce qui empêchent le réfrigérateur de fonctionner et qui étaient déjà présents lorsque ce gros appareil ménager a été acheté :

- Doublure de la cavité du réfrigérateur/congélateur si la pièce se fissure en raison d'un vice de matériau ou de fabrication.
- Système de réfrigération scellé (y compris le compresseur, l'évaporateur, le condenseur, le séchoir et les conduits de connexion).

LE SEUL ET EXCLUSIF RECOURS DU CLIENT DANS LE CADRE DE LA PRÉSENTE GARANTIE LIMITÉE CONSISTE EN LA RÉPARATION PRÉVUE PAR LA PRÉSENTE. Le service doit être fourni par une compagnie de service désignée par Whirlpool. Cette garantie limitée est valide uniquement aux États-Unis ou au Canada et s'applique exclusivement lorsque le gros appareil ménager est utilisé dans le pays où il a été acheté. La présente garantie limitée est valable à compter de la date d'achat initial par le consommateur. Une preuve de la date d'achat initial est exigée pour obtenir un dépannage dans le cadre de la présente garantie limitée.

CE QUI N'EST PAS COUVERT

1. Usage commercial, non résidentiel ou par plusieurs familles, ou non-respect des instructions de l'utilisateur, de l'opérateur ou des instructions d'installation.
2. Visite d'instruction à domicile pour montrer à l'utilisateur comment utiliser l'appareil.
3. Visites de service pour rectifier une installation ou un entretien fautifs du produit, une installation non conforme aux codes d'électricité ou de plomberie, ou la rectification de l'installation électrique ou de la plomberie du domicile (ex : câblage électrique, fusibles ou tuyaux d'arrivée d'eau du domicile).
4. Pièces consommables (ex : ampoules, batteries, filtres à air ou à eau, solutions de conservation, etc.).
5. Défauts ou dommage résultant de l'utilisation de pièces ou accessoires Whirlpool non authentiques.
6. Dommages causés par : accident, mésusage, abus, incendie, inondations, catastrophe naturelle ou l'utilisation de produits non approuvés par Whirlpool.
7. Réparations aux pièces ou systèmes dans le but de rectifier un dommage ou des défauts résultant d'une réparation, altération ou modification non autorisée faite à l'appareil.
8. Défauts d'apparence, notamment les éraflures, traces de choc, fissures ou tout autre dommage subi par le fini de l'appareil ménager, à moins que ces dommages ne résultent de vices de matériaux ou de fabrication et ne soient signalés à Whirlpool dans les 30 jours suivant la date d'achat.
9. Décoloration, rouille ou oxydation des surfaces résultant d'environnements caustiques ou corrosifs incluant des concentrations élevées de sel, un haut degré d'humidité ou une exposition à des produits chimiques (exemples non exhaustifs).
10. Perte d'aliments ou de médicaments due à la défaillance du produit.
11. Enlèvement ou livraison. Ce produit est conçu pour être réparé à l'intérieur du domicile.
12. Frais de déplacement et de transport pour le dépannage/la réparation dans une région éloignée où une compagnie de service Whirlpool autorisée n'est pas disponible.
13. Retrait ou réinstallation d'appareils inaccessibles ou de dispositifs préinstallés (ex : garnitures, panneaux décoratifs, plancher, meubles, îlots de cuisine, plans de travail, panneaux de gypse, etc.) qui entravent le dépannage, le retrait ou le remplacement du produit.
14. Service et pièces pour des appareils dont les numéros de série et de modèle originaux ont été enlevés, modifiés ou ne peuvent pas être facilement identifiés.

Le coût d'une réparation ou d'un remplacement dans le cadre de ces circonstances exclues est à la charge du client.

CLAUSE D'EXONÉRATION DE RESPONSABILITÉ AU TITRE DES GARANTIES IMPLICITES

LES GARANTIES IMPLICITES, Y COMPRIS LES GARANTIES APPLICABLES DE QUALITÉ MARCHANDE OU D'APTITUDE À UN USAGE PARTICULIER, SONT LIMITÉES À UN AN OU À LA PLUS COURTE PÉRIODE AUTORISÉE PAR LA LOI. Certains États et provinces ne permettent pas de limitation sur la durée des garanties implicites de qualité marchande ou d'aptitude à un usage particulier, de sorte que la limitation ci-dessus peut ne pas être applicable dans votre cas. Cette garantie vous confère des droits juridiques spécifiques et vous pouvez également jouir d'autres droits qui peuvent varier d'une juridiction à l'autre.

EXONÉRATION DE RESPONSABILITÉ DANS LES DOMAINES NON COUVERTS PAR LA GARANTIE

Whirlpool décline toute responsabilité au titre de la qualité, de la durabilité ou en cas de dépannage ou de réparation nécessaire sur ce gros appareil ménager autre que les responsabilités énoncées dans la présente garantie. Si vous souhaitez une garantie plus étendue ou plus complète que la garantie limitée fournie avec ce gros appareil ménager, adressez-vous à Whirlpool ou à votre détaillant pour obtenir les modalités d'achat d'une garantie étendue.

LIMITATION DES RECOURS; EXCLUSION DES DOMMAGES FORTUITS OU INDIRECTS

LE SEUL ET EXCLUSIF RECOURS DU CLIENT DANS LE CADRE DE LA PRÉSENTE GARANTIE LIMITÉE CONSISTE EN LA RÉPARATION PRÉVUE PAR LA PRÉSENTE. WHIRLPOOL N'ASSUME AUCUNE RESPONSABILITÉ POUR LES DOMMAGES FORTUITS OU INDIRECTS. Certains États et certaines provinces ne permettent pas l'exclusion ou la limitation des dommages fortuits ou indirects de sorte que ces limitations et exclusions peuvent ne pas être applicables dans votre cas. Cette garantie vous confère des droits juridiques spécifiques et vous pouvez également jouir d'autres droits qui peuvent varier d'une juridiction à l'autre.

6/15

