

 **FABER**

**FLANGE 3**

Installation Instructions  
Use and Care Information

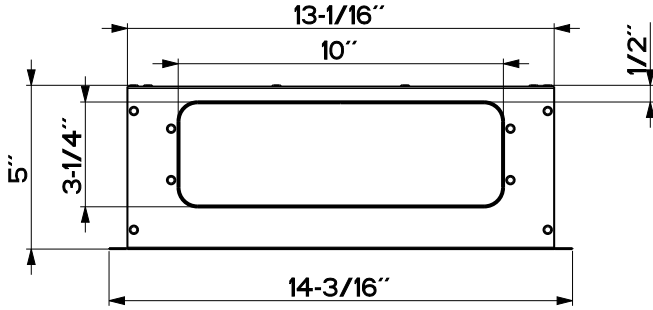
Instructions d'installation  
Utilisez et d'entretien

Instrucciones de instalación  
Información de uso y cuidado

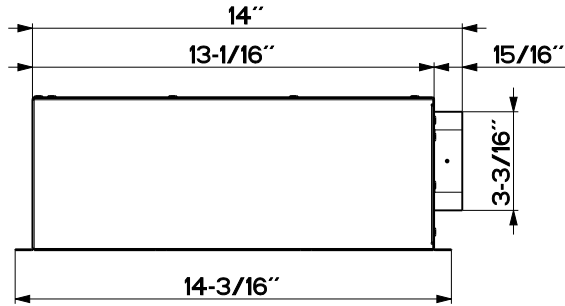
FLANGE 3

# LINER DIMENSIONS

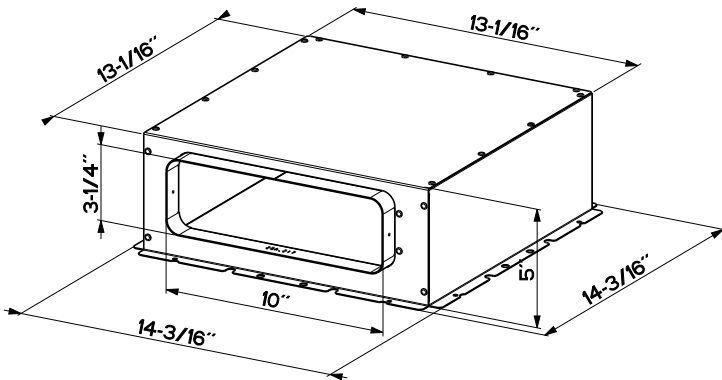
---



**Front View**



**Side View**







**Overall Dimensions**


# PARTS

---

## PARTS INCLUDED







REF	PART		
A	Torx Screws (1/8" x 5/16")	 	4
B	Torx Screws (3/16" x 5/16")	 	4

## PARTS NEEDED

PART	
3 1/4" x 10" Rectangular Ductwork	

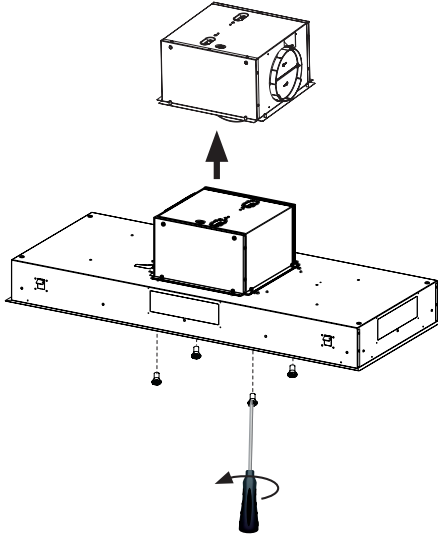
## TOOLS NEEDED

---

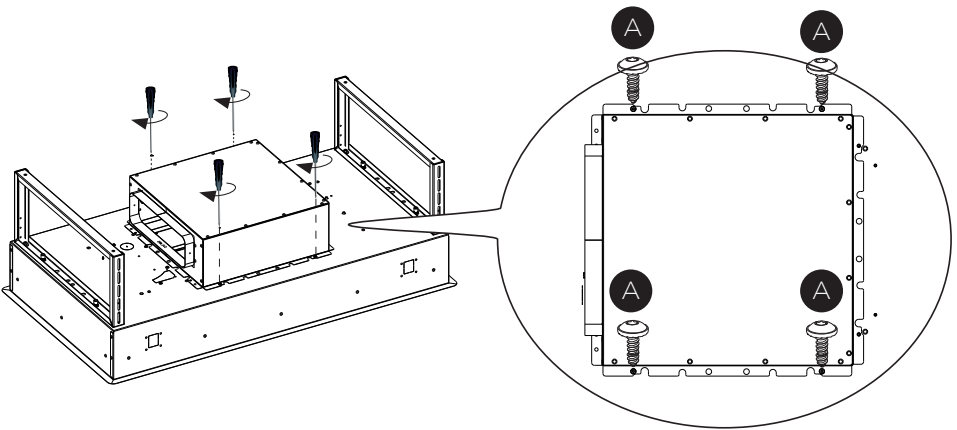
TOOL	
Tape Measure	
Pencil	
Torx Screwdriver	
Metal sheers	
Work gloves	
Foil Tape	

# INSTALL THE FLANGE 3 TO THE CEILING RANGE HOOD

- 1 Unscrew the 4 original screws from the motor box and detach from the hood.



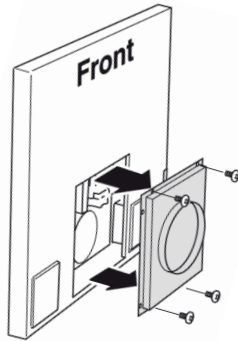
- 2 Attach the Flange 3 to the hood in the same location as the original motor box with the screws **A** provided in the hardware bag as shown



- 3 Seal with foil tape
- 4 Consult your Hoods Installation Manual and the Remote Blower or In-Line Blower Manual to continue with installation.

# INSTALL THE FLANGE 3 TO THE DOWNDRAFT RANGE HOOD

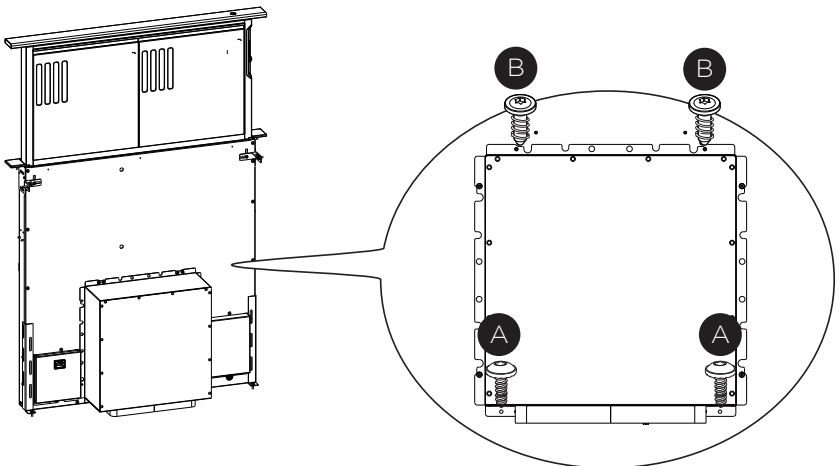
- 1 Remove the blocker plate from the hood.



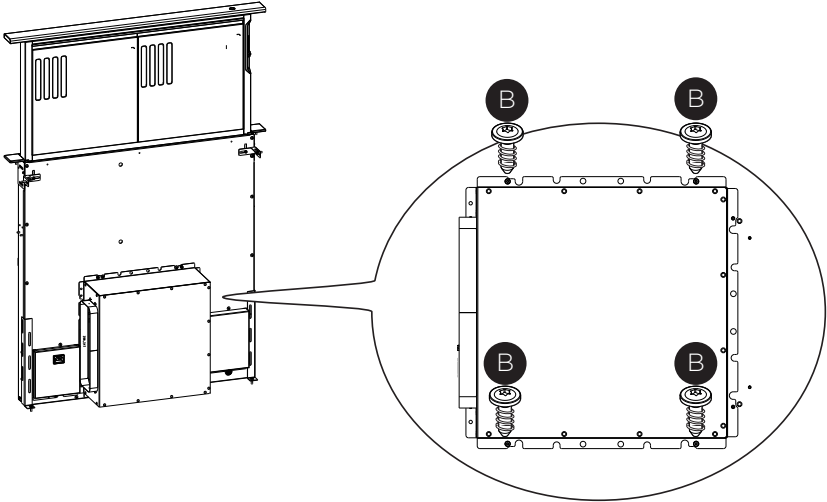
- 2 Attach the Flange 3 to the hood in the same location as the blocker plate using the screws **A** and **B** provided in the hardware bag.

## FOR SCIROCCO PLUS MODELS:

### Venting down

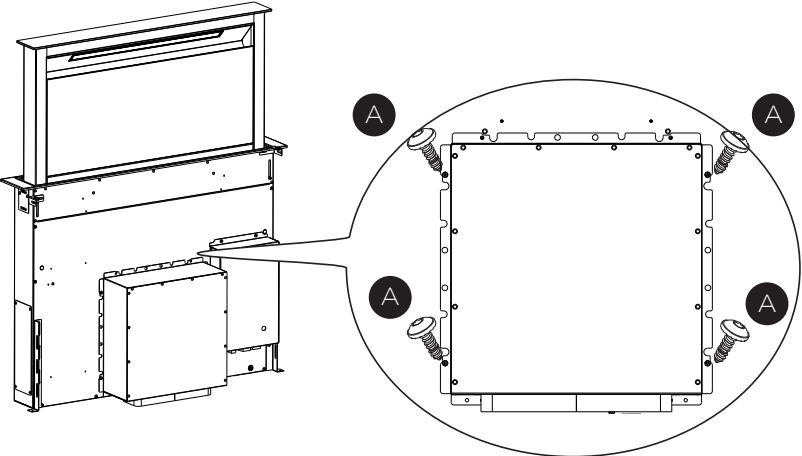


**Venting to the side**

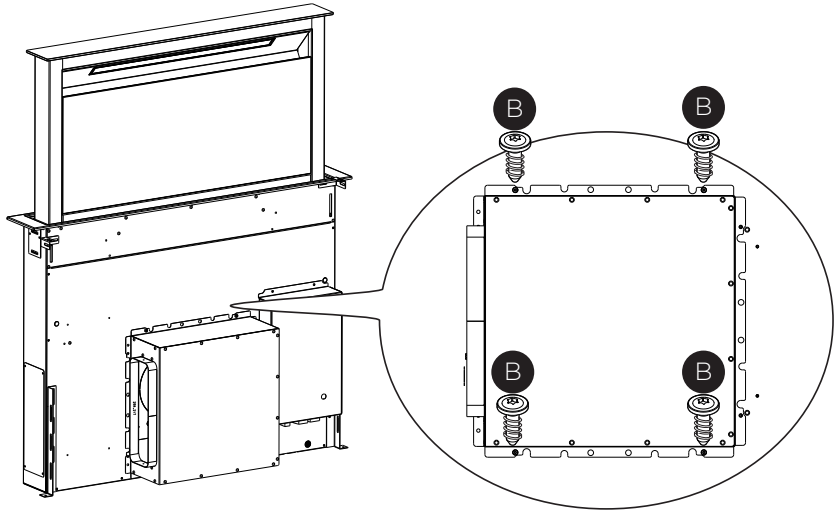


**FOR SCIROCCO LUX MODELS:**

**Venting down**



## Venting to the side



**3** Seal with foil tape

**4** Consult your Hoods Installation Manual and the Remote Blower or In-Line Blower Manual to continue with installation.

