



# Modernist Microwave In-A-Drawer™

---

## User Manual

**Model Numbers:**  
DMR24M977WM, DMR24M977WS,  
DMR30M977WM, DMR30M977WS

### Table of Contents

Important Safety Instructions .....	1-2	Beverage Center.....	12
PRECAUTIONS TO AVOID POSSIBLE EXPOSURE TO EXCESSIVE MICROWAVE ENERGY .....	1	Melt/Soften/Warm .....	13
Information You Need to Know .....	3-5	Other Features .....	14-15
Part Names.....	6	Keep Warm.....	14
Before Operating .....	7	Help .....	14
To Set The Clock.....	7	More or Less Time Adjustment .....	14
Timer.....	7	Multiple Sequence Cooking .....	14
Stop/Clear.....	7	Easy Minute.....	14
Open or Close Drawer .....	7	Setup/Help .....	14
Standby Mode.....	7	Audible Signal Elimination.....	15
Microwave In-A-Drawer™ Cooking .....	8-13	End of Cooking Reminder.....	15
Time Cooking.....	8	Auto Start .....	15
To Set Power Level.....	8	Demonstration Mode.....	15
Sensor Settings.....	8	Control Lock .....	15
Sensor Popcorn / Sensor Reheat.....	9	Cleaning and Care .....	16
Sensor Cooking .....	10	Before You Call for Service.....	17
Defrost.....	11	Auto-Touch Guide .....	18-19
Manual Defrost.....	11	Product Warranty .....	20
Reheat.....	12	Warranty Card .....	Back cover



To Our Valued Customer:

Congratulations on your purchase of the very latest in Dacor® products! Our unique combination of features, style, and performance make us a great addition to your home.

To familiarize yourself with the controls, functions and full potential of your new Dacor microwave, read this manual thoroughly, starting at the **Important Safety Instructions** section (pg. 1).

Dacor appliances are designed and manufactured with quality and pride, while working within the framework of our company values. Should you ever have an issue with your microwave, first check the **Before You Call For Service** section (pg. 17) for guidance. It gives suggestions and remedies that may pre-empt a call for service.

Valuable customer input helps us continually improve our products and services, so feel free to contact our Customer Assurance Team for assistance with all your product-support needs.

**Dacor Customer Assurance Team**

14425 Clark Avenue  
City of Industry, CA 91745

**Telephone:** (800) 793-0093

**Fax:** (626) 403-3130

**Hours of Operation:** Mon – Fri, 5:00 A.M. to 5:00 P.M. Pacific Time

**Website:** [www.dacor.com/customer-care/contact-us](http://www.dacor.com/customer-care/contact-us)

Thanks for choosing Dacor for your home. We are a company built by families for families, and we are dedicated to serving yours. We are confident that your new Dacor microwave will deliver a top-level performance and enjoyment for decades to come.

Sincerely,

*The Dacor Customer Assurance Team*

# IMPORTANT SAFETY INSTRUCTIONS

**Installer:** Leave these instructions with the owner.

**Customer:** Read and keep this manual for reference.

**Keep this guide and the sales receipt/cancelled check in a safe place for reference. Proof of original purchase date is needed for warranty service.**

If you have any questions, call:

## Dacor® Customer Assurance

1-800-793-0093 x2813 (U.S.A. and Canada)  
Monday – Friday 5:00 AM to 5:00 PM Pacific Time  
Web site: [www.dacor.com/customer-care/contact-us](http://www.dacor.com/customer-care/contact-us)

Before you call, have available the model and serial numbers, which you can view by opening the drawer fully and reading the rating label on the oven-cavity floor just past the drawer's rear panel.

Record these numbers below for easy access.

Model Number \_\_\_\_\_

Serial Number \_\_\_\_\_

Date of Purchase \_\_\_\_\_

**For service and warranty information, see page 20.**

At Dacor, we continually improve the quality and performance of all our products. We may need to make changes to this appliance without updating these instructions.

This device complies with Part 18 of the FCC Rules.

## IMPORTANT INFORMATION ABOUT SAFETY INSTRUCTIONS

The Important Safety Instructions and warnings in this manual are not meant to cover all possible conditions and situations that can occur. Use common sense and caution when installing, maintaining or operating this or any other appliance.

Always contact the Dacor Customer Service Team about problems or situations that you do not understand.

## SAFETY SYMBOLS AND LABELS

### DANGER

Immediate hazards that **WILL** result in severe personal injury or death.

### WARNING

Hazards or unsafe practices that **COULD** result in severe personal injury or death.

### CAUTION

Hazards or unsafe practices that **COULD** result in minor personal injury or property damage.

### WARNING

## PRECAUTIONS TO AVOID POSSIBLE EXPOSURE TO EXCESSIVE MICROWAVE ENERGY

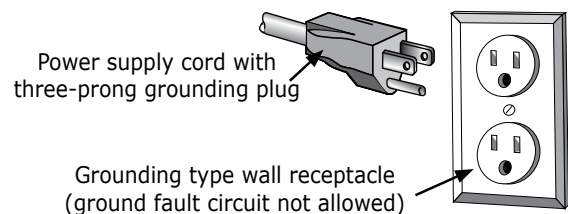
- Do not attempt to operate this oven with the door open since open-door operation can result in harmful exposure to microwave energy. It is important not to defeat or tamper with the safety interlocks.
- Do not place any object between the oven front face and the door or allow soil or cleaner residue to accumulate on sealing surfaces.
- Do not operate the oven if it is damaged. It is particularly important that the oven door close properly and that there is no damage to the: (1) door (bent), (2) hinges and latches (broken or loosened), (3) door seals and sealing surfaces.
- The oven should not be adjusted or repaired by anyone except properly qualified service personnel.

## GROUNDING INSTRUCTIONS

### WARNING

Improper use of the grounding plug can result in a risk of electric shock.

This appliance must be grounded. In the event of an electrical short circuit, grounding reduces the risk of electric shock by providing an escape wire for the electric current. This appliance is equipped with a cord having a grounding wire with a grounding plug. The plug must be plugged into an outlet that is properly installed and grounded. **Do not under any circumstances, cut or remove the third (ground) prong from the power cord.** Do not use an adapter plug. Do not use an extension cord. If the power supply cord is too short, have a qualified electrician or serviceman install an outlet near the appliance. **Do not use a Ground Fault Circuit Interrupter.**



# IMPORTANT SAFETY INSTRUCTIONS

## **WARNING**

When using the appliance, basic safety precautions should be followed, including the following:

**⚠ WARNING** To reduce the risk of burns, electric shock, fire, injury to persons or exposure to excessive microwave energy:

1. Read all instructions before using the appliance.
2. Read and follow the specific "PRECAUTIONS TO AVOID POSSIBLE EXPOSURE TO EXCESSIVE MICROWAVE ENERGY" on page 1.
3. This appliance must be properly grounded. See page 1 and the separate installation instructions for grounding instructions .
4. Install or locate this appliance only in accordance with the provided installation instructions.
5. Some products such as whole eggs and sealed containers - for example, closed glass jars—can explode and should not be heated in the drawer.
6. Use this appliance only for its intended use as described in this manual. Do not use corrosive chemicals or vapors in this appliance. This microwave is specifically designed to heat and cook food. It is not designed for industrial or laboratory use.
7. As with any appliance, close supervision is necessary when used by children.
8. Do not operate this appliance if it has a damaged cord or plug, if it is not working properly or if it has been damaged or dropped.
9. This appliance should be serviced only by qualified service personnel. Contact the nearest Dacor Authorized Servicer for examination, repair or adjustment.
10. Do not cover or block any openings on the appliance.
11. Do not store or use this appliance outdoors. Do not use this product near water—for example, near a kitchen sink, in a wet basement, near a swimming pool or similar locations.
12. Do not immerse the power cord or plug in water.
13. Keep the power cord away from heated surfaces.
14. Do not climb or sit on the drawer.
15. Be sure that fingers or other objects or materials are not around the drawer opening when the appliance is closed.
16. Do not put fingers or clothes around the drawer guides when the appliance is opened or closed. They could be caught in the guides when the drawer is closed.
17. Be sure that the food and its container can fit inside the drawer completely before closing it.
18. When cleaning drawer sealing surfaces that come together on closing the drawer, use only mild, non-abrasive soaps or detergents applied with a sponge or soft cloth. See cleaning instructions on page 16.
19. To reduce the risk of fire in the appliance cavity:
  - a. Do not overcook food. Carefully attend appliance when paper, plastic or other combustible materials are placed inside the drawer to facilitate cooking.
  - b. Remove wire twist-ties from paper or plastic bags before placing bag in drawer.
  - c. If materials inside the appliance ignite, keep drawer door closed, turn microwave off and shut off power at the fuse or circuit breaker panel.
  - d. Do not use the drawer for storage purposes. Do not leave paper products, cooking utensils, or food in the drawer when not in use.
20. Liquids, such as water, coffee or tea are able to be overheated beyond the boiling point without appearing to be boiling due to surface tension of the liquid. Visible bubbling or boiling when the container is removed from the appliance is not always present. **THIS COULD RESULT IN VERY HOT LIQUIDS SUDDENLY BOILING OVER WHEN A SPOON OR OTHER UTENSIL IS INSERTED INTO THE LIQUID.**

To reduce the risk of injury to persons:

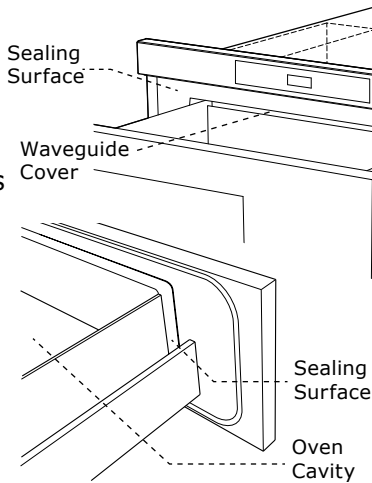
  - a. Do not overheat the liquid.
  - b. Stir the liquid both before and halfway through heating.
  - c. Do not use straight-sided containers with narrow necks. Use a wide-mouthed container.
  - d. After heating, allow the container to stand in the drawer for at least 20 seconds before removing the container.
  - e. Use extreme care when inserting a spoon or other utensil into the container.
21. If the appliance light fails, consult a DACOR AUTHORIZED SERVICER.

## READ AND SAVE THESE INSTRUCTIONS

# Information You Need To Know

## About Unpacking And Examining Your Microwave In-A-Drawer™

1. Remove all packing materials from inside the Microwave In-A-Drawer™. DO NOT REMOVE THE WAVEGUIDE COVER, which is located inside, on the ceiling of the Microwave In-A-Drawer™.
2. Remove the feature sticker, if there is one. Check the drawer for any damage, such as misaligned or bent drawer, damaged drawer seals and sealing surfaces, broken or loose drawer guides and dents inside the cavity or on the front side of the drawer. If there is any damage, do not operate the Microwave In-A-Drawer™ and contact your dealer or a DACOR AUTHORIZED SERVICER.



### RADIO OR TV INTERFERENCE

Should there be any interference caused by the Microwave In-A-Drawer™ to your radio or TV, check to make sure that the appliance is on a different electrical circuit, relocate the radio or TV as far away from the drawer as feasible or check the position and signal of receiving antenna.

## About Your Microwave In-A-Drawer™

ALWAYS have food in the drawer when it is on to absorb the microwave energy.

The vent under the Microwave In-A-Drawer™ must not be blocked. During microwaving, steam may come from the right side of the vent.

When using the Microwave In-A-Drawer™ at power levels below 100%, you may hear the magnetron cycling on and off. It is normal for the exterior of the drawer to be warm to the touch when cooking or reheating.

Condensation is a normal part of microwave cooking. Room humidity and the moisture in food will influence the amount of moisture that condenses in the drawer. Generally, covered foods will not cause as much

condensation as uncovered ones.

The Microwave In-A-Drawer™ is for food preparation only. It should not be used to dry clothes or newspapers.

Your Microwave In-A-Drawer™ is rated 950 watts by using the IEC Test Procedure. In using recipes or package directions, check food one or two minutes before the minimum time and add time accordingly.

When opening or closing the Microwave In-A-Drawer™ quickly, food in the drawer may be spilled. To clean, please refer to the Cleaning and Care section on page 16.

## About Microwave Cooking

- Arrange food carefully. Place thickest areas towards outside of dish.
- Watch the cooking time. Cook for the shortest amount of time indicated and add more as needed. Food severely overcooked can smoke or ignite.
- Cover foods while cooking. Check a recipe or cookbook for suggestions like: paper towels, wax paper, microwave plastic wrap or a lid. Covers prevent spattering and help foods to cook evenly.
- Shield with small flat pieces of aluminum foil any thin areas of meat or poultry to prevent overcooking before dense, thick areas are cooked thoroughly.
- Stir foods from outside to center of dish once or twice during cooking, if possible.
- Turn foods over once during microwaving to speed cooking of such foods as chicken and hamburgers. Large items like roasts must be turned over at least once.
- Rearrange foods such as meatballs halfway through cooking both from top to bottom and from right to left.
- Add standing time. Remove food from drawer and stir, if possible. Cover during standing time, allowing the food to finish cooking without overcooking.
- Check for doneness. Look for signs indicating that cooking temperatures have been reached.  
Signs of doneness include:
  - Food steams throughout, not just at edge.
  - Poultry thigh joints move easily.
  - Meat and poultry show no pinkness.
  - Fish is opaque and flakes easily with a fork.

# Information You Need To Know

## About Utensils And Coverings

It is not necessary to buy all new cookware. Many pieces already in your kitchen can be used successfully in your new microwave. Make sure the utensil does not touch the interior walls during cooking.

Use these utensils for safe microwave cooking and reheating:

- Glass ceramic (Pyroceram®), such as Corningware®
- Heat-resistant glass (Pyrex®)
- Microwave-safe plastics
- Microwave-safe paper plates
- Microwave-safe pottery, stoneware and porcelain
- Browning dish (Do not exceed recommended preheating time. Follow manufacturer's directions.)

These items can be used for short time reheating of foods that have little fat or sugar in them:

- Wood, Straw, Wicker

### DO NOT USE

- Metal pans and Bakeware
- Dishes with metallic trim
- Non-heat-resistant glass
- Non-microwave-safe plastics (margarine tubs)
- Recycled paper products
- Brown paper bags
- Food storage bags
- Metal twist-ties

Should you wish to check if a dish is safe for microwaving, place the empty dish in the microwave on HIGH for 30 seconds. A dish which becomes very hot should not be used.

### THE FOLLOWING COVERINGS ARE IDEAL:

- Paper towels are good for covering foods for reheating and absorbing fat while cooking bacon.
- Wax paper can be used for cooking and reheating.
- Plastic wrap that is specially marked for microwave use can be used for cooking and reheating. DO NOT allow plastic wrap to touch food. Vent so steam can escape.
- Lids that are microwave-safe are a good choice because heat is kept near the food to hasten cooking.
- Oven cooking bags are good for large meats or foods that need tenderizing. DO NOT use metal twist ties. Remember to slit the bag so steam can escape.

## HOW TO USE ALUMINUM FOIL IN YOUR DRAWER:

- Small flat pieces of aluminum foil placed smoothly on the food can be used to shield areas that are either defrosting or cooking too quickly.
- Foil should not come closer than one inch to any surface of the Microwave In-A-Drawer™.

Should you have questions about utensils or coverings, check a good microwave cookbook or follow recipe suggestions.

### ACCESSORIES:

There are many microwave accessories available for purchase. Evaluate carefully before you purchase to make sure that they meet your needs. A microwave-safe thermometer will assist you in determining correct doneness and assure you that foods have been cooked to safe temperatures. Dacor is not responsible for any damage to the appliance when accessories are used.

## Open Or Close Drawer

Always press the OPEN or CLOSE key on the control panel to open or close the drawer.

**Do not push or pull the drawer by hand, except in case of emergency, such as a power failure. If necessary, push or pull slowly.**

## About Children And The Microwave

Children below the age of 7 should use the Microwave In-A-Drawer™ with a supervising person very near to them. Between the ages of 7 and 12, the supervising person should be in the same room. The child must be able to reach the drawer comfortably.

At no time should anyone be allowed to lean or sit on the Microwave In-A-Drawer™.

Children should be taught all safety precautions: how to use potholders, remove coverings carefully and pay special attention to packages that crisp food because they may be extra hot.

Do not assume because a child has mastered one cooking skill that he/she can cook everything.

Children need to learn that the Microwave In-A-Drawer™ is not a toy. See page 15 for Control Lock feature.



# Information You Need To Know

## About Safety

Check foods to see that they are cooked to the United States Department of Agriculture's recommended temperatures.

160°F - For fresh pork, ground meat, boneless white poultry, fish, seafood, egg dishes and frozen prepared food.

165°F - For leftovers, ready-to-reheat refrigerated; deli and carry-out "fresh" food.

170°F - White meat of poultry.

180°F - Dark meat of poultry.

To test for doneness, insert a meat thermometer in a thick or dense area away from fat or bone. NEVER leave the thermometer in the food during cooking, unless it is approved for microwave use.

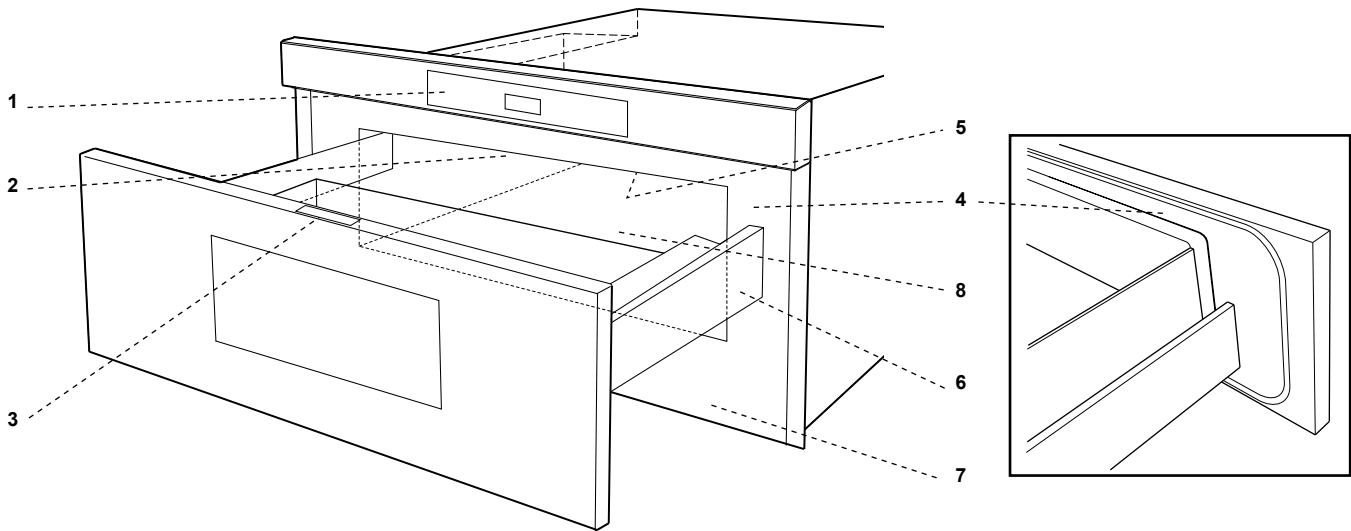
- ALWAYS use potholders to prevent burns when handling utensils that are in contact with hot food. Enough heat from the food can transfer through utensils to cause skin burns.
- Avoid steam burns by directing steam away from the face and hands. Slowly lift the farthest edge of a dish's covering and carefully open popcorn and oven cooking bags away from the face.
- Stay near the Microwave In-A-Drawer™ while it's in use and check cooking progress frequently so that there is no chance of overcooking food.
- NEVER use the Microwave In-A-Drawer™ for storing cookbooks or other items.
- Select, store and handle food carefully to preserve its high quality and minimize the spread of foodborne bacteria.
- Keep waveguide cover clean. Food residue can cause arcing and/or fires. See page 16.

## About Foods

FOOD	DO	DON'T
<b>Eggs, sausages, fruits &amp; vegetables</b>	<ul style="list-style-type: none"> <li>• Puncture egg yolks before cooking to prevent "explosion".</li> <li>• Pierce skins of potatoes, apples, squash, hot dogs and sausages so that steam escapes.</li> </ul>	<ul style="list-style-type: none"> <li>• Cook eggs in shells.</li> <li>• Reheat whole eggs.</li> <li>• Dry nuts or seeds in shells.</li> </ul>
<b>Popcorn</b>	<ul style="list-style-type: none"> <li>• Use specially bagged popcorn for the microwave.</li> <li>• Listen while popping corn for the popping to slow to 1 or 2 seconds or use the special <b>SENSOR POPCORN</b> key.</li> </ul>	<ul style="list-style-type: none"> <li>• Pop popcorn in regular brown bags or glass bowls.</li> <li>• Exceed maximum time on popcorn package.</li> </ul>
<b>Baby food</b>	<ul style="list-style-type: none"> <li>• Transfer baby food to small dish and heat carefully, stirring often. Check temperature before serving.</li> <li>• Put nipples on bottles after heating and shake thoroughly. "Wrist" test before feeding.</li> </ul>	<ul style="list-style-type: none"> <li>• Heat disposable bottles.</li> <li>• Heat bottles with nipples on.</li> <li>• Heat baby food in original jars.</li> </ul>
<b>General</b>	<ul style="list-style-type: none"> <li>• Cut baked goods with filling after heating to release steam and avoid burns.</li> <li>• Stir liquids briskly before and after heating to avoid "eruption".</li> <li>• Use deep bowl, when cooking liquids or cereals, to prevent boilovers.</li> <li>• Food should be shorter than the drawer. Please refer to the height of side walls of the drawer.</li> </ul>	<ul style="list-style-type: none"> <li>• Heat or cook in closed glass jars or airtight containers.</li> <li>• Heat cans in the microwave as harmful bacteria may not be destroyed.</li> <li>• Deep fat fry.</li> <li>• Dry wood, gourds, herbs or wet papers.</li> </ul>

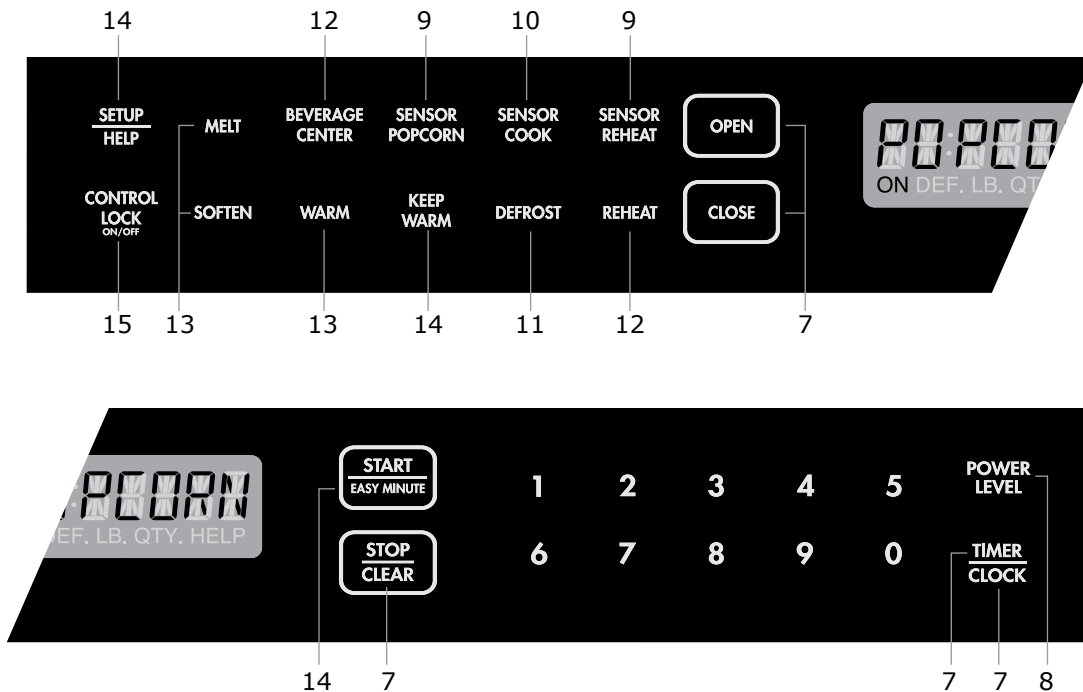
# Part Names

## Microwave In-A-Drawer™



- |                                  |  |
|----------------------------------|--|
| 1. Control Panel                 | 6. Drawer Guides   |
| 2. Waveguide Cover DO NOT REMOVE | 7. Vent  |
| 3. Menu Label                    | 8. Rating Label: Open the Microwave Drawer fully. The label is on the oven-cavity floor just past the drawer's rear panel. |
| 4. Drawer Sealing Surfaces       |  |
| 5. Drawer Light                  |  |

## KEYPAD



Numbers next to the keypad illustration indicate page numbers where feature descriptions and usage information is located.



# Before Operating

Before operating your new Microwave In-A-Drawer™ make sure you read and understand this manual completely.

- Before the Microwave In-A-Drawer™ can be used, follow these steps:
1. Plug in the Microwave In-A-Drawer™. **ENJOY YOUR MICRO- WAVE TOUCH CLEAR AND TOUCH CLOCK** will appear.
  2. Touch the **STOP/CLEAR** key. **:**  will appear.
  3. Set the clock.

## To Set The Clock

1. Touch the **TIMER/CLOCK** key and number **2**.
2. Touch the number keys for correct time of day and touch the **TIMER/CLOCK** key again.

This is a 12 hour clock. If you attempt to enter an incorrect clock time, **ERROR** will appear in the display. Touch the **STOP/CLEAR** key and re-enter the time.

- If the electrical power supply to your Microwave In-A-Drawer™ should be interrupted, the display will intermittently show **ENJOY YOUR MICRO- WAVE TOUCH CLEAR AND TOUCH CLOCK** after the power is restored. If power is interrupted during cooking, the program will be erased. The time of day will also be erased. Simply touch the **STOP/CLEAR** key and reset the clock for the correct time of day.

### NOTE:

- The Microwave In-A-Drawer™ can be programmed with the drawer open except for the **START/EASY MINUTE** feature.

## Timer

1. Touch the **TIMER/CLOCK** key and number **1**.
2. Enter time.
3. Touch the **TIMER/CLOCK** key again.
4. To cancel timer, touch the **STOP/CLEAR**.

## Stop/Clear

Touch the **STOP/CLEAR** key to:

1. Clear a mistake made during programming.
2. Cancel the timer.
3. Stop the Microwave In-A-Drawer™ temporarily during timed cooking.
4. Return the time of day to the display.
5. Cancel a program during cooking, touch twice for timed cooking.

## Open Or Close Drawer

Always press the **OPEN** or **CLOSE** key on the control panel to open or close the drawer.

Do not push or pull the drawer by hand, except in case of emergency, such as during a power failure. If necessary, push or pull slowly.

## Standby Mode

This Microwave In-A-Drawer™ will go into standby mode after a period of inactivity. The backlight of the display will automatically dim after 3 minutes if the unit has not been in operation. If the display is in standby mode, simply touch any key on the control panel to return the backlight to maximum brightness.

# Microwave In-A-Drawer™ Cooking

## Time Cooking

Your Microwave In-A-Drawer™ can be programmed for 99 minutes 99 seconds (99.99). Always enter the seconds after the minutes, even if they are both zeros.

- For example: Cook for 5 minutes at 100%.

- Enter cooking time **5 0 0.** **5.00** **TOUCH** **START**  
**OR** **TOUCH** **POWER** **LEVEL**
- To cook at 100% power (High), touch the **START/EASY MINUTE** key.

## To Set Power Level

There are eleven preset power levels.

Using lower power levels increases the cooking time, which is recommended for foods such as cheese, milk and long slow cooked meats. Consult a microwave cookbook or recipes for specific recommendations.

- For example: Defrost for 5 minutes at 30%.
- Enter defrost time **5 0 0.** **5.00**
  - Touch the **POWER LEVEL** key 8 times.
  - Touch the **START/EASY MINUTE** key.

TOUCH POWER LEVEL KEY NUMBER OF TIMES FOR DESIRED POWER	APPROXIMATE PERCENTAGE OF POWER	COMMON WORDS FOR POWER LEVELS
Power Level x 1	100%	High
Power Level x 2	90%	
Power Level x 3	80%	
Power Level x 4	70%	Medium High
Power Level x 5	60%	
Power Level x 6	50%	Medium
Power Level x 7	40%	
Power Level x 8	30%	Med Low/Defrost
Power Level x 9	20%	
Power Level x 10	10%	Low
Power Level x 11	0%	

## Sensor Settings

Dacor's Sensor is a semi-conductor device that detects the vapor (moisture and humidity) emitted from the food as it heats. The sensor adjusts the cooking times and power levels for various foods and quantities.

### USING SENSOR SETTINGS:

- After the Microwave In-A-Drawer™ is plugged in, wait 2 minutes before using any sensor setting.
- Be sure the exterior of the cooking container and the interior of the Microwave In-A-Drawer™ are dry. Wipe off any moisture with a dry cloth or paper towel.
- The sensor works with foods at normal storage temperature. For example, popcorn would be at room temperature.
- Any sensor selection can be programmed with more or less food than the quantity listed in the charts and should be cooked following the guidelines in any microwave cookbook.
- During the first part of sensor use, the food name will appear on the display. Do not open the Microwave In-A-Drawer™ or touch **STOP/CLEAR** during this part of the cycle. The measurement of vapor will be interrupted. If this occurs, an error message will appear. To continue cooking, touch the **STOP/CLEAR** key and cook manually.  
  
When the sensor detects the vapor emitted from the food, the remainder of cooking/reheating time will appear. The Microwave In-A-Drawer™ may be opened when the remaining time appears on the display. At this time, you may stir or season food, as desired.
- Except for Popcorn, if the sensor does not detect vapor properly when cooking other foods, **ERROR** will be displayed, and the microwave will turn off.
- Check food temperature after cooking. If additional time is needed, continue to cook manually.
- Each food has a cooking hint. Touch the **SET UP/HELP** key when the HELP indicator is lighted in the display.

# Microwave In-A-Drawer™ Cooking

## COVERING FOODS:

Some foods cook best when covered. Use the cover recommended in the charts for these foods. You may refer to the hints by touching the **SET UP/HELP** key.

1. Casserole lid.
2. Plastic wrap: Use plastic wrap recommended for microwave cooking. Cover dish loosely; allow approximately 1/2 inch to remain uncovered to allow steam to escape. Plastic wrap should not touch food.
3. Wax paper: Cover dish completely; fold excess wrap under dish to secure. If dish is wider than paper, overlap two pieces at least one inch to cover.

Be careful when removing any covering to allow steam to escape away from you.

## Sensor Popcorn / Sensor Reheat

You can pop popcorn and reheat many foods without calculating the cooking time or power level.

Touch the **SENSOR REHEAT** or **SENSOR POPCORN** and the **START/EASY MINUTE** key.

When the sensor detects the vapor emitted from the food, the remainder of cooking/reheating time will appear.

### NOTE:

- The Sensor Popcorn setting has 2 choices. Follow directions on the display to choose desired option.

## SENSOR POPCORN / SENSOR REHEAT CHART

FOOD	AMOUNT	PROCEDURE
Sensor Popcorn	Only 1 package at a time  2.85 - 3.5 oz. (Regular / Regular light)  1.2 - 1.75 oz. (Mini / Snack)	Use only popcorn packaged for the microwave. Try several brands to decide your favorite. Do not try to pop unpopped kernels.  Touch the <b>SENSOR POPCORN</b> key once.  Touch the <b>SENSOR POPCORN</b> key twice.
Sensor Reheat	4 - 36 oz.	Place food to be reheated in a dish or casserole slightly larger than the amount. Flatten, if possible. Cover with a lid, plastic wrap or wax paper. Use covers such as plastic wrap or lids with larger quantities of more dense foods such as stews. After reheating, stir well if possible. Re-cover and allow to stand 2 to 3 minutes. Foods should be very hot. If not, continue to heat with variable power and time.

# Microwave In-A-Drawer™ Cooking

## Sensor Cooking

1. Touch the **SENSOR COOK** key once.

SEE LABEL SELECT FOOD NUMBER

2. See the Menu Label. Select desired food by touching the number key. Ex: Touch **5** for baked potatoes.

3. Touch the **START/EASY MINUTE** key.

**NOTE:**

- To heat or cook other foods or foods above or below the quantity allowed on the **SENSOR COOK CHART**, cook manually.

## SENSOR COOK CHART

FOOD	AMOUNT	PROCEDURE															
1. Fresh vegetables: Quick Broccoli Brussel sprouts Cabbage Cauliflower (flowerets) Cauliflower (whole) Spinach Zucchini Baked apples	.25 - 2.0 lb. .25 - 2.0 lb. .25 - 2.0 lb. .25 - 2.0 lb. 1 med. .25 - 1.0 lb. .25 - 2.0 lb. 2 - 4 med.	Wash and place in casserole. Do not add water if vegetables have just been washed. Cover with lid for tender vegetables. Use plastic wrap for tender-crisp vegetables. After cooking, stir, if possible. Let stand covered for 2 to 5 minutes.															
2. Fresh vegetables: Longer Carrots, sliced Corn on the cob Green beans Winter squash: diced halves	.25 - 1.5 lb. 2 - 4 .25 - 1.5 lb. .25 - 1.5 lb. 1 - 2	Place in casserole. Add 1 - 4 tablespoons water. Cover with lid for tender vegetables. Use plastic wrap cover for tender-crisp vegetables. After cooking, stir, if possible. Let stand covered for 2 to 5 minutes.															
3. Frozen vegetables	.25 - 1.25 lb.	Do not add water. Cover with lid or plastic wrap. After cooking, stir and let stand covered for 3 minutes.															
4. Frozen entrees	6 - 17 oz.	Use this key for frozen convenience foods. It will give satisfactory results for most brands. You may wish to try several and choose your favorite. Remove package from outer wrapping and follow package directions for covering. After cooking, let stand covered for 1-3 minutes.															
5. Baked potatoes 6. Sweet potatoes	1 - 6 med. 1 - 6 med.	Pierce. Place on paper-towel-lined drawer. After cooking, remove from microwave, wrap in aluminum foil and let stand 5 to 10 minutes.															
7. Ground meat	.25 - 2.0 lb.	Use this setting to cook ground beef or turkey as patties or in a casserole to be added to other ingredients. Place patties on a microwave-safe rack and cover with wax paper. Place ground meat in a casserole and cover with wax paper or plastic wrap. When microwave stops, turn patties over or stir meat in casserole to break up large pieces. Re-cover and touch <b>START/EASY MINUTE</b> . After cooking, let stand covered for 2 to 3 minutes.															
8. Fish/seafood	.25 - 2.0 lb.	Arrange in ring around shallow glass dish (roll fillet with edges underneath). Cover with vented plastic wrap. After cooking, let stand covered for 3 minutes.															
9. White Rice 10. Brown Rice	.5 - 2.0 cups .5 - 2.0 cups	Place rice into a deep casserole and add a double quantity of water. Cover with lid or plastic wrap. After cooking, stir, cover and let stand 3 to 5 minutes or until all liquid has been absorbed.															
		<table border="1"> <thead> <tr> <th>Rice</th> <th>Water</th> <th>Size of casserole</th> </tr> </thead> <tbody> <tr> <td>.5 cup</td> <td>1 cup</td> <td>1.5 quart</td> </tr> <tr> <td>1 cup</td> <td>2 cups</td> <td>2 quart</td> </tr> <tr> <td>1.5 cups</td> <td>3 cups</td> <td>2.5 or 3 quart</td> </tr> <tr> <td>2 cups</td> <td>4 cups</td> <td>3 quart or larger</td> </tr> </tbody> </table>	Rice	Water	Size of casserole	.5 cup	1 cup	1.5 quart	1 cup	2 cups	2 quart	1.5 cups	3 cups	2.5 or 3 quart	2 cups	4 cups	3 quart or larger
Rice	Water	Size of casserole															
.5 cup	1 cup	1.5 quart															
1 cup	2 cups	2 quart															
1.5 cups	3 cups	2.5 or 3 quart															
2 cups	4 cups	3 quart or larger															

# Microwave In-A-Drawer™ Cooking

## Defrost

Use this feature to defrost the foods shown in the DEFROST CHART below.

1. Touch the **DEFROST** key.
2. See the Menu Label. Select desired food by touching the number key. For example: Touch  for steaks/chops.
3. Enter the weight by touching  .
4. Touch the **START/EASY MINUTE** key.
5. The Microwave In-A-Drawer™ will stop so that the food can be checked.
6. After the first stage, open the drawer. Turn steak over and shield any warm portions. Close the drawer. Touch the **START/EASY MINUTE** key.

7. After the second stage, open the drawer. Shield any warm portions. Close the drawer. Touch the **START/EASY MINUTE** key.
8. After defrost cycle ends, cover and let stand as indicated in the chart below.

### NOTE:

- Defrost can be programmed with More or Less Time Adjustment. See page 14.
- To defrost other foods or foods above or below the weights allowed on the DEFROST CHART, see MANUAL DEFROST below.
- Do not defrost until all ice crystals are thawed.
- Check foods when the Microwave In-A-Drawer™ signals. After the final stage, small sections may still be icy. Let stand to continue thawing.
- Shielding prevents cooking from occurring before the center of the food is defrosted. Use small smooth strips of aluminum foil to cover edges and thinner sections of the food.

## DEFROST CHART

FOOD	AMOUNT	PROCEDURE
1. Ground meat	.5 - 2.0 lb	Remove any thawed pieces after each audible signal. Let stand covered for 5 to 10 minutes.
2. Steaks/chops	.5 - 3.0 lb	After each audible signal, rearrange and if there are warm or thawed portions, shield with small flat pieces of aluminum foil. Remove any meat or fish that is almost defrosted. Let stand covered for 10 to 20 minutes.
3. Boneless poultry	.5 - 2.0 lb	After each audible signal, if there are warm or thawed portions, rearrange or remove. Let stand covered for 10 to 20 minutes.
4. Bone-in poultry	.5 - 3.0 lb	After each audible signal, rearrange pieces or remove portions should they become warm or thawed. Let stand covered for 10 to 20 minutes.
5. Roast	2.0 - 4.0 lb	Start defrosting with fat side down. After each stage, turn roast over and shield the warm portions with aluminum foil. Let stand, covered, for 30 to 60 minutes.

## Manual Defrost

If the food that you wish to defrost is not listed on the DEFROST CHART or is above or below the limits in the AMOUNT column on the DEFROST CHART, you need to defrost manually.

You can defrost any frozen food, either raw or previously cooked, by setting the Power Level to 30%. Follow the exact 3-step procedure found under TO SET POWER LEVEL on page 8. Estimate defrosting time and press POWER LEVEL key eight times for 30% power.

For either raw or previously cooked frozen food, the rule of thumb is approximately 4 minutes per pound. For example, defrost 4 minutes for 1 pound of frozen spaghetti sauce.

Always stop the Microwave In-A-Drawer™ periodically to remove or separate the portions that are defrosted. If food is not defrosted at the end of the estimated defrosting time, program the Microwave In-A-Drawer™ in 1 minute increments at a Power Level of 30% until totally defrosted.

When using plastic containers from the freezer, defrost only long enough to remove from the plastic, then place in a microwave-safe dish.

# Microwave In-A-Drawer™ Cooking

## Reheat

Reheat automatically computes the correct warming time and microwave power level for foods shown in the chart below.

1. Touch the **REHEAT** key once.
2. See Menu Label. Select desired food by touching the number key. For example: Touch  for frozen rolls or muffins.

3. Touch the number key to select quantity. For example: Touch  for 2 rolls or muffins.
4. Touch the **START/EASY MINUTE** key.

### NOTE:

- Reheat can be programmed with More or Less Time Adjustment. See page 14.
- To reheat other foods or foods above or below the quantity allowed on the REHEAT CHART, heat manually.

## REHEAT CHART

FOOD	AMOUNT	PROCEDURE
1. Fresh rolls/ muffins	1 - 8 pcs	Use this key to warm rolls, muffins, biscuits, bagels etc. Large items should be considered as 2 or 3 regular size. Arrange on plate; cover with paper towel. For refrigerated rolls or muffins, it may be necessary to double the entered amount to ensure the proper serving temperature. For example, enter quantity of 2 for 1 refrigerated muffin.
2. Frozen rolls/ muffins	1 - 8 pcs	Use this key to warm frozen rolls, muffins, biscuits, bagels etc. Large items should be considered as 2 or 3 regular size. Arrange on plate; cover with paper towel.

## Beverage Center

Beverage Center enables you to reheat coffee or tea to restore to a more suitable drinking temperature or to make instant coffee or tea.

1. Touch **BEVERAGE CENTER** key once.
2. See Menu Label. Select desired selection by touching number key. Ex: Touch  to make coffee.

3. Repeating touching same number key to select quantity. Ex: Touch  two more times for 2 cups of coffee.
4. Touch **START/EASY MINUTE** key.

### NOTE:

- Beverage Center can be programmed with More or Less Time Adjustment. See page 14.
- Should you attempt to enter more or less than the allowed amount, an error message will appear in the display.

## BEVERAGE CENTER CHART

FOOD	AMOUNT	PROCEDURE
1. Reheat beverage	.5 - 2.0 cups	This setting for good for restoring cooled beverage to a better drinking temperature. Touch number <input type="button" value="1"/> key for a 0.5 cup increase per touch. Stir after heating.
2. Hot water	1 - 6 cups	Use this setting for heating COLD TAP WATER to a temperature somewhat below the boiling point to make instant coffee or tea. Touch number <input type="button" value="2"/> key for 1 cup increase per touch. Stir liquid briskly before and after heating to avoid "eruption".



# Microwave In-A-Drawer™ Cooking

## Melt/Soften/Warm

Melt, Soften and Warm automatically compute the correct heating time and microwave power level for melting, softening and warming foods shown in the chart below.

1. Touch **MELT** key once.
2. See Menu Label. Select desired food by touching number key. Ex: Touch  for chocolate.

3. Repeat touching same number key to select quantity.  
Ex: Touch  two more times for 1 square.
4. Touch **START/EASY MINUTE** key.

### NOTE:

- Melt, Soften and Warm can be programmed with More or Less Time Adjustment. See page 14.
- To melt, soften or warm other food or foods above or below the quantity allowed on the MELT/SOFTEN/WARM CHART, use manual operation.

## MELT/SOFTEN/WARM CHART

FOOD	AMOUNT	PROCEDURE
Melt		Use a Pyrex measuring cup. Cover with plastic wrap.
1. Butter	2 tbsp .5 cup	After touching <b>MELT</b> , touch <input type="button" value="1"/> two times for 2 tbsp. After touching <b>MELT</b> , touch <input type="button" value="1"/> three times for .5 cup.
2. Chocolate	1 cup chips 1 square	After touching <b>MELT</b> , touch <input type="button" value="2"/> two times for 1 cup chips. After touching <b>MELT</b> , touch <input type="button" value="2"/> three times for 1 square.
Soften		DO NOT COVER.
1. Ice cream	1 pint .5 gallon	After touching <b>SOFTEN</b> , touch <input type="button" value="1"/> two times for 1 pint. After touching <b>SOFTEN</b> , touch <input type="button" value="1"/> three times for .5 gallon.
2. Cream cheese	3 oz. 8 oz.	After touching <b>SOFTEN</b> , touch <input type="button" value="2"/> two times for 3 oz. After touching <b>SOFTEN</b> , touch <input type="button" value="2"/> three times for 8 oz.
Warm		Use a Pyrex measuring cup. DO NOT COVER.
1. Syrup	1/4 cup 1/2 cup	After touching <b>WARM</b> , touch <input type="button" value="1"/> two times for 1/4 cup. After touching <b>WARM</b> , touch <input type="button" value="1"/> three times for 1/2 cup.
2. Dessert toppings	1/4 cup 1/2 cup	After touching <b>WARM</b> , touch <input type="button" value="2"/> two times for 1/4 cup. After touching <b>WARM</b> , touch <input type="button" value="2"/> three times for 1/2 cup.

# Other Features

## Keep Warm

Keep Warm allows you to keep food warm up to 30 minutes.

### DIRECT USE

1. Touch the **Keep Warm** key.

ENTER TIME UP TO 30 MINUTES

2. Enter the desired time by touching the number keys. To enter 30 minutes, touch 3 0 0 0.

30.00 TOUCH START

3. Touch the **START/EASY MINUTE** key.

The Microwave In-A-Drawer™ will start. The display will show 30.00 and count down. KEEP WARM will be displayed intermittently during the count down.

### WITH MANUAL COOKING

1. Enter the desired cooking time and power level.
2. Touch the **Keep Warm** key.
3. Enter the desired warming time, up to 30 minutes.
4. Touch the **START/EASY MINUTE** key.

The operation will start. When the cooking time is complete, a long tone will sound and Keep Warm will start. The display will count down. KEEP WARM will be displayed intermittently during the count down.

### NOTE:

- If you attempt to enter more than 30 minutes for Keep Warm, an error message will appear in the display.
- Keep Warm cannot be programmed with Sensor Popcorn, Sensor Reheat, Sensor Cook, Defrost or Reheat.

## Help

Each setting of Sensor Reheat, Sensor Cook, Sensor Popcorn, Keep Warm, Reheat and Defrost has a cooking hint. If you wish to check, touch **SET UP/HELP** whenever HELP is lighted in the interactive display for these and other manual operation hints.

## More Or Less Time Adjustment

Should you discover that you like any of the Sensor, Reheat or Defrost settings slightly more done, touch the **POWER LEVEL** key once after touching your selection. The display will show MORE.

For slightly less done, touch the **POWER LEVEL** key twice after touching your selection. The display will show LESS.

## Multiple Sequence Cooking

Your Microwave In-A-Drawer™ can be programmed for up to 4 automatic cooking sequences, switching from one power level setting to another automatically.

Sometimes cooking directions tell you to start on one power level and then change to a different power level. Your Microwave In-A-Drawer™ can do this automatically.

1. First enter the cooking time. Then touch the **POWER LEVEL** key once for 100% cooking or repeat touching the **POWER LEVEL** key for a lower power level.
2. Enter the second cooking time. Touch the **POWER LEVEL** key repeatedly for desired level. You can follow this procedure up to 4 times. TOUCH START
3. Touch the **START/EASY MINUTE** key.

### NOTE:

- If the **POWER LEVEL** key is touched once, HIGH will be displayed.
- If 100% is selected as the final sequence, it is not necessary to touch the **POWER LEVEL** key.
- If you wish to know the power level during cooking, simply touch the **POWER LEVEL** key. As long as your finger is touching the **POWER LEVEL** key, the power level will be displayed.
- Keep Warm can be programmed even if 4 cooking sequences have been set.

## Easy Minute

Easy Minute allows you to cook for a minute at 100% by simply touching the **EASY MINUTE** key. You can also extend cooking time in multiples of 1 minute by repeatedly touching the **EASY MINUTE** key during manual cooking.

### NOTE:

- To use Easy Minute, touch the key within 3 minutes after cooking, closing the door or touching the **STOP/CLEAR** key.
- Easy Minute cannot be used with Sensor settings, Reheat or Defrost.

## Setup/Help

If the electrical power supply to your Microwave In-A-Drawer™ should be interrupted, the display will intermittently show ENJOY YOUR MICRO- WAVE TOUCH CLEAR AND TOUCH CLOCK after the power is reinstated. If this situation occurs, the **SETUP/HELP** option you input will be erased. Simply touch the **STOP/CLEAR** key and reset.

# Other Features

## AUDIBLE SIGNAL ELIMINATION

At the end of timed cook, a series of beeps will sound. If you wish to operate the appliance with no audible signals, you can turn them off.

### TO TURN SOUND OFF

1. Touch the **SETUP/HELP** key.
2. Touch the **SETUP/HELP** key again.
3. Touch the **START/EASY MINUTE** key. The display shows  .

### TO RESTORE SOUND

1. Touch the **SETUP/HELP** key.
2. Touch the **SETUP/HELP** key again.
3. Touch the **START/EASY MINUTE** key. The display shows  .

## END OF COOKING REMINDER

At end of timed cooking, the microwave will signal every 10 seconds for the first minute; then every 3 minutes until the **STOP/CLEAR** key is touched, up to one hour.

### TO TURN REMINDER OFF

1. Touch the **SETUP/HELP** key three times. The display shows     .
2. Touch the **START/EASY MINUTE** key.  
The display shows   .

### TO TURN REMINDER SIGNAL BACK ON

1. Touch the **SETUP/HELP** key three times. The display shows     .
2. Touch the **START/EASY MINUTE** key.  
The display shows   .

## AUTO START

If you wish to program the Microwave In-A-Drawer™ to begin cooking automatically at a designated time of day, follow this procedure:

1. Touch the **SETUP/HELP** key 4 times. The display shows    .
2. Touch the **START/EASY MINUTE** key.
3. Enter start time.

4. Touch the **TIMER/CLOCK** key.

5. Touch the number keys to enter cooking time.   
       
Touch the **POWER LEVEL** key repeatedly until the desired power level is reached.

6. Touch the **START/EASY MINUTE** key.

## DEMONSTRATION MODE

### TO SELECT DEMO MODE

1. Touch the **SETUP/HELP** key five times. The display shows    .
2. Hold the **START/EASY MINUTE** key for 3 seconds.  
The display shows .

### TO CANCEL DEMO MODE

1. Hold the **SETUP/HELP** key five times. The display shows    .
2. Touch the **START/EASY MINUTE** key. The display shows  .

#### NOTE:

- Microwave In-A-Drawer™ doesn't heat in Demo Mode.
- The display counts down quickly.

---

## Control Lock

---

The Control Lock prevents unwanted Microwave In-A-Drawer™ operation such as by small children. The Microwave In-A-Drawer™ can be set so that the control panel is deactivated or locked.

### TO LOCK

Touch the **CONTROL LOCK** key and hold for 3 seconds. The display shows .

### TO UNLOCK

Touch the **CONTROL LOCK** key and hold for 3 seconds. The display shows  .

The **CONTROL LOCK** is canceled when the electrical power supply to your oven is interrupted. Set the **CONTROL LOCK** again when power to the oven is restored.

# Cleaning and Care

## Exterior

The outside surface is precoated metal and plastic. Clean the outside with mild soap and water; rinse and dry with a soft cloth. Do not use any type of household or abrasive cleaner.

## Stainless Steel Surface

### (Select Models)

The exterior should be wiped often with a soft damp cloth and polished with a soft dry cloth to maintain its beauty. Always wipe in the direction of the grain. There are also a variety of products designed especially for cleaning and shining the stainless exterior of the Microwave In-A-Drawer™. We recommend that the cleaner be applied to a soft cloth and then carefully used on the stainless exterior rather than sprayed directly onto it. Follow package directions carefully.

## Front Side Of The Drawer

Wipe the window on both sides with a soft damp cloth to remove any spills or spatters. Metal parts will be easier to maintain if wiped frequently with a soft damp cloth. Avoid the use of spray cleaners and other harsh cleaners as they may stain, streak or dull the door surface.

## Touch Control Panel

If desired, the touch keys may be deactivated before cleaning. See the Control Lock information on page 14 of this manual. Wipe the panel with a cloth dampened slightly with water only. Dry with a soft cloth. Do not scrub or use any sort of chemical cleaners. Close the door and follow directions on page 15 for turning Control Lock off. Touch **STOP/CLEAR**.

## Interior

Before cleaning the the Microwave In-A-Drawer™, touch and hold the Control Lock button for 3 seconds to lock the control key and the automatic door mechanism. The drawer can be locked in either the open or closed position. The display will show **LOCK ON**. This will prevent the drawer from accidentally opening or closing during cleaning. After cleaning, touch and hold the Control Lock button for 3 seconds to turn the lock off. The display will show **LOCK OFF**.

Cleaning is easy because no heat is generated to the interior surfaces; therefore, there is no baking and setting of spills or spattering. To clean the interior surfaces, including drawer sealing surfaces, wipe with a soft damp cloth. **DO NOT USE ABRASIVE OR HARSH CLEANERS OR SCOURING PADS.** For heavier soil, use mild soap; wipe clean with a soft damp cloth. Do not use any chemical oven cleaners.

## Drawer Guides

Remove the food crumbs from the drawer guides. Wipe them with a soft dry cloth in order to keep the drawer opening and closing smoothly.

## Waveguide Cover

**ATTENTION** The waveguide cover, located on the inside top of the Microwave area, is made of mica, so it requires special care. Keep the waveguide cover clean to assure good microwave performance. Carefully wipe with a soft damp cloth any food spatters from the surface of the cover immediately after they occur. Soil build up may overheat and cause smoke or possibly catch fire. Do not remove the waveguide cover.

## Odor Removal

Occasionally, cooking odors may remain in the drawer. To remove odors, combine 1 cup water, grated peel and juice of one lemon and several whole cloves in a 2-cup glass measuring cup. Boil for several minutes using 100% power. Allow to set in the drawer until cool. Wipe interior with a soft cloth.

# Before You Call For Service

Please check the following before calling for service. It may save you time and expense.

PROBLEM	POSSIBLE CAUSE	SOLUTION
1. Part or all of Microwave In-A-Drawer™ does not operate.	<ul style="list-style-type: none"> <li>• Power cord of Microwave In-A-Drawer™ is not completely connected to the electrical outlet.</li> <li>• Power outage.</li> <li>• Fuse/circuit breaker at home doesn't work.</li> <li>• Microwave In-A-Drawer™ is in Demo Mode.</li> </ul>	<ul style="list-style-type: none"> <li>• Make sure the power cord is tightly connected to the outlet.</li> <li>• Check house lights to be sure. Call your local electric company for service.</li> <li>• Replace the fuse or reset the circuit breaker.</li> <li>• See page 15 for how to cancel Demo Mode.</li> </ul>
2. Food in microwave is not heated.	<ul style="list-style-type: none"> <li>• No power to the appliance.</li> <li>• Drawer controls improperly set.</li> <li>• Drawer is in Demo Mode.</li> </ul>	<ul style="list-style-type: none"> <li>• See SOLUTION for PROBLEM 1.</li> <li>• Check if the controls have been properly set.</li> <li>• See page 15.</li> </ul>
3. Microwave In-A-Drawer™ light does not work.	<ul style="list-style-type: none"> <li>• Light bulb is loose or burned out.</li> </ul>	<ul style="list-style-type: none"> <li>• Call for service.</li> </ul>
4. Touch controls will not operate.	<ul style="list-style-type: none"> <li>• Control Lock is on.</li> </ul>	<ul style="list-style-type: none"> <li>• See page 15 to unlock.</li> </ul>
5. Display flashes.	<ul style="list-style-type: none"> <li>• Power failure.</li> </ul>	<ul style="list-style-type: none"> <li>• Press the <b>STOP/CLEAR</b> key and reset the clock. If the Microwave In-A-Drawer™ was in use, you must reset the cooking function.</li> </ul>
6. Steam from the vent.	<ul style="list-style-type: none"> <li>• Normal operation. During microwaving, steam may come from the right side of the vent.</li> </ul>	

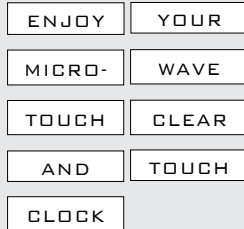
# Auto-Touch Guide

## Microwave In-A-Drawer™

### SET CLOCK

1. Touch the **TIMER/CLOCK** key and number **2**.
2. Touch number keys for correct time of day and touch the **TIMER/CLOCK** key again.

If the electrical power supply to your appliance should be interrupted, the display will intermittently show:



### TIME COOKING

#### High Power Cooking

1. Enter cooking time by touching number keys. To enter 5 minutes, touch **5 0 0**.



2. Touch the **START/EASY MINUTE** key.

#### Variable Power Cooking

1. After step 1 above, touch the **POWER LEVEL** key until desired power level is in the display.
2. Touch the **START/EASY MINUTE** key.

### SENSOR COOK

Sensor Cook automatically computes the correct time and power level to cook foods on the Menu Label perfectly.

1. Touch the **SENSOR COOK** key once.  

SEE	SELECT
FOOD	LABEL
NUMBER	
2. See Menu Label. Select desired food by touching the number key. Ex: Touch **5** for baked potatoes.
3. Touch the **START/EASY MINUTE** key.

### SENSOR POPCORN/SENSOR REHEAT

Touch **SENSOR REHEAT** or **SENSOR POPCORN** and the **START/EASY MINUTE** key.

### REHEAT

Reheat automatically computes the correct warming time and microwave power level for foods shown on the Menu Label.

1. Touch the **REHEAT** key once.  

SEE	LABEL
SELECT	FOOD
NUMBER	
2. See Menu Label. Select desired food by touching the number key. Ex: Touch **2** for frozen rolls or muffins.  

FROZEN	ROLLS
MUFFINS	ENTER
NUMBER	
3. Touch the number key to select quantity. Ex: Touch **2** for 2 rolls or muffins.  

2 PCS
-------
4. Touch the **START/EASY MINUTE** key.

### DEFROST

Use this feature to defrost the foods shown on the Menu Label.

1. Touch the **DEFROST** key.  

SEE	LABEL
SELECT	FOOD
NUMBER	
2. See Menu Label. Select desired food by touching the number key. Ex: Touch **2** for steaks/chops.  

STEAKS	CHOPS
ENTER	WEIGHT
3. Enter weight by touching number keys. To enter 1 pound, touch **1 0**.  

1.0 LB
--------
4. Touch the **START/EASY MINUTE** key.
5. Microwave will stop to allow food to be turned over, shielded and/or removed. Close the drawer. Touch the **START/EASY MINUTE** key.









# Auto-Touch Guide

## KEEP WARM

Keep Warm allows you to keep food warm up to 30 minutes.


### Direct Use

1. Touch the **Keep Warm** key.   
  

2. Enter desired time by touching the number keys. To enter 30 minutes, touch  .  

3. Touch the **START/EASY MINUTE** key.

### With Manual Cooking

1. Enter desired cooking time and power level.
2. Touch the **Keep Warm** key.
3. Enter desired warming time up to 30 minutes.
4. Touch the **START/EASY MINUTE** key.

## TIMER

1. Touch the **TIMER/CLOCK** key and number .
2. Enter time.
3. Touch the **TIMER/CLOCK** key again.  
To cancel timer, touch **STOP/CLEAR**.

## EASY MINUTE


Touch **START/EASY MINUTE** for 1 minute at 100% microwave power or to add a minute during manual cooking. Continue to touch for additional minutes.

## Other Features

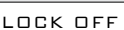
### CONTROL LOCK

The Control Lock prevents unwanted drawer operation such as by small children. The Microwave In-A-Drawer™ can be set so that the control panel is deactivated or locked.

#### To Lock

Touch **CONTROL LOCK** key and hold for 3 seconds. 

#### To Unlock

Touch **CONTROL LOCK** key and hold for 3 seconds. 

### HELP

Check operation manual for specific details.

Touch the **SETUP/HELP** key.

- 2 times for Sound Off/On.
- 3 times for End of Cooking Reminder.
- 4 times for Auto Start.
- 5 times for Demonstration Mode.

# Product Warranty

---

## What Is Covered

---

CERTIFICATE OF WARRANTIES

DACOR Microwave In-A-Drawer™

### **WITHIN THE FIFTY STATES OF THE U.S.A., THE DISTRICT OF COLUMBIA AND CANADA\*:**

#### **FULL 2-YEAR WARRANTY**

If, due to material or manufacturing defect, your DACOR Modernist product malfunctions within 2 years of the original purchase date, DACOR will remedy the defect without charge to you or subsequent users. The owner must provide proof of purchase upon request and have the appliance accessible for service.

\* Warranty is null and void if non-CSA approved product is transported from the U.S.

### **OUTSIDE THE FIFTY STATES OF THE U.S.A., THE DISTRICT OF COLUMBIA, AND CANADA:**

#### **LIMITED FIRST-YEAR WARRANTY**

If, due to material or manufacturing defect, your DACOR Modernist product malfunctions within 1 year of the original purchase date, DACOR will furnish a new part, FOB factory, to replace the defective part. All delivery, installation, and labor costs are the responsibility of the owner, who must provide proof of purchase upon request and have the appliance accessible for service.

---

## What Is Not Covered

---

- Failure of the product caused by faulty installation, improper usage, or neglect of required maintenance.
- Service calls to educate the customer in the proper use and care of the product.
- Failure of the product when used for commercial, business, rental or any application other than for residential consumer use.
- Replacement of house fuses or fuse boxes, or resetting of circuit breakers.
- Damage to the product caused by accident, fire, flood or acts of God.
- Breakage, discoloration or damage to glass, metal surfaces, plastic components, trim, paint, porcelain or other cosmetic finish, caused by improper usage or care, abuse, or neglect.

**THE REMEDIES PROVIDED FOR IN THE ABOVE EXPRESS WARRANTIES ARE THE SOLE AND EXCLUSIVE REMEDIES THEREFORE NO OTHER EXPRESS WARRANTIES ARE MADE, AND OUTSIDE THE FIFTY STATES OF THE UNITED STATES AND THE DISTRICT OF COLUMBIA, ALL IMPLIED WARRANTIES, INCLUDING BUT NOT LIMITED TO, ANY IMPLIED WARRANTY OF MERCHANTABILITY OR FITNESS FOR A PURCHASE. IN NO EVENT SHALL DACOR BE LIABLE FOR INCIDENTAL EXPENSE OR CONSEQUENTIAL DAMAGES. NO WARRANTIES, EXPRESS OR IMPLIED, ARE MADE TO ANY BUYER FOR RESALE.**

Some states do not allow limitations on how long an implied warranty lasts or do not allow the exclusion or limitation of incidental or consequential damages, so the above limitations or exclusions may not apply to you. This warranty gives you specific legal rights, and you may also have other rights that vary from state to state.



# Modernist Micro-Onde Tiroir™

## Mode D'emploi

### Numéros de Modèle:

DMR24M977WM, DMR24M977WS,  
DMR30M977WM, DMR30M977WS

## Table Des Matières

Importantes Consignes De Sécurité .....	2-3	Defrost (Décongélation) .....	12
MESURES POUR ÉVITER UNE EXPOSITION POSSIBLE À UNE ÉNERGIE MICRO-ONDE EXCESSIVE .....	2	Décongélation Manuelle.....	13
Ce Que Vous Devez Savoir.....	4-6	Reheat (Réchauffage) .....	13
Nom Des Pièces .....	7	Beverge Center (Centre de boissons) .....	14
Avant L'utilisation .....	8	Melt/Soften/Warm (Fondre/Ramollir/Chauffer) .....	15
Pour Régler L'horloge .....	8	Autres Caractéristiques .....	16-17
Timer (Minuterie) .....	8	Keep Warm (Micro Réchaud) .....	16
Stop/Clear (Arrêt/remise À Zéro).....	8	Cuisson à Séquences Multiples .....	16
Ouvrir Ou Fermeture Du Tiroir.....	8	Help (Aide) .....	16
Mode veille .....	8	Easy Minute.....	16
Cuisson au Microwave In-A-Drawer™ .....	9-15	Control Lock (Verrouillage des Commandes).....	16
Temps de Cuisson.....	9	Réglage de Durée en Plus ou en Moins .....	17
Pour Régler le Niveau de Puissance .....	9	Setup/Help (Réglages/Aide) .....	17
Réglages des Capteurs .....	9-10	Nettoyage et Entretien .....	18
Sensor Popcorn/Sensor Reheat (Mais Soufflé au Capteur/ Réchauffage au Capteur) .....	10	Avant d'Appeler Pour Une Réparation .....	19
Sensor Cook (Cuisson au Capteur).....	10-11	Guide des Touches Automatiques.....	20-21
		Garantie du Produit.....	22

# IMPORTANTES CONSIGES DE SÉCURITÉ

**Installateur :** Veuillez laisser ce guide avec cet appareil.

**Client:** Lire et conserver ces mode d'emploi pour référence ultérieure. Ce livre fournit les informations appropriées d'utilisation et d'entretien. **Gardez ce livre et les ventes acquittent et/ou ont décommandé signent un endroit sûr la future référence. La preuve de la date originale d'achat est nécessaire pour le service de garantie.**

Si vous avez n'importe quelles questions, appelez :

**Assurance Client Dacor**

1-800-793-0093 poste 2813 (Etats-Unis et le Canada)

Lundi - Vendredi 5:00 A.M. au temps Pacifique de 5:00 P.M.

Accès par internet : [www.dacor.com/customer-care/contact-us](http://www.dacor.com/customer-care/contact-us)

Avant d'appeler, disposez des numéros de modèle et de série qui vous pouvez afficher en ouvrant entièrement le tiroir et en lisant la note étiquette sur le plancher de la cavité du four juste après le panneau arrière du tiroir.

Enregistrez ces nombres ci-dessous pour l'accès facile.

Numéro de Modèle \_\_\_\_\_

Numéro de Série \_\_\_\_\_

Date D'achat Marchand \_\_\_\_\_

**Pour le service et l'information de garantie, voir la page 20.**

Dans notre effort continu d'améliorer la qualité et l'exécution de nos appareils, il peut être nécessaire de faire des changements à l'appareil sans mettre à jour ce livre.

Ce dispositif est conforme à la section 18 des règlements FCC.

## CE QUI VOUS DEVEZ SAVOIR CONSIGES DE SÉCURITÉ

Instructions de sûreté d'avertissement et importantes apparaître en ce livre ne sont pas censés couvrir toutes les conditions possibles et situations qui peuvent se produire. Le bon sens, l'attention et le soin doivent être employés en installant, en maintenant ou en actionnant un appareil.

Entrez en contact avec toujours le fabricant au sujet des problèmes ou des conditions que vous ne comprenez pas.

## SYMBOLES DE SÛRETÉ, MOTS, ÉTIQUETTES

### **DANGER**

Risques immédiats qui auront comme conséquence des blessures ou la mort graves.

### **ADVERTISSEMENT**

Risques ou pratiques peu sûres qui POURRAIENT avoir comme conséquence des blessures ou la mort graves.

### **ATTENTION**

Risques ou pratiques peu sûres qui POURRAIENT avoir comme conséquence des blessures ou des dégâts matériels mineurs.

### **ADVERTISSEMENT**

## MESURES POUR ÉVITER UNE EXPOSITION POSSIBLE À UNE ÉNERGIE MICRO-ONDE EXCESSIVE

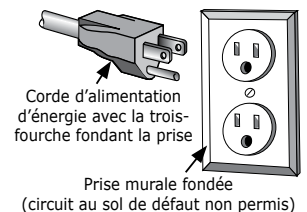
- (a) Ne pas essayer de faire fonctionner ce four avec la porte ouverte puisque le fonctionnement avec la porte ouverte peut entraîner une exposition dangereuse à l'énergie micro-onde. Il est important de ne pas enlever ou modifier les verrouillages de sécurité.
- (b) Ne pas placer d'objet entre l'avant du four et la porte ou laisser s'accumuler de la saleté ou des résidus de nettoyant sur les surfaces d'étanchéité.
- (c) Ne pas faire fonctionner le four s'il est endommagé. Il est particulièrement important que la porte du four ferme bien et qu'il n'y ait pas de dommages: (1) porte (déformation), (2) charnières et dispositif de verrouillage (brisés ou desserrés), (3) joints de porte et surfaces d'étanchéité.
- (d) Seul du personnel qualifié en réparations doit ajuster ou réparer ce four.

## INSTRUCTIONS POUR LA MISE À LA TERRE

### **MISE EN GARDE**

Un mauvais usage de la prise de terre peut causer des décharges électriques.

Cet appareil doit être mis à la terre. En cas de court-circuit électrique, la mise à la terre réduit le risque de choc électrique en fournissant un fil d'échappement pour le courant électrique. Cet appareil est équipé d'un cordon ayant un fil de mise à la terre avec une fiche de mise à la terre. La fiche doit être branchée sur une prise correctement installée et mise à la terre. **Pas dans aucune circonstance, coupe ou enlever la troisième fourche (de la terre) du cordon de secteur.** N'utilisez pas une prise d'adaptateur. N'employez pas une corde de prolongation. Si le cordon d'alimentation est trop court, demander à un électricien ou un réparateur qualifié de poser une prise près de l'appareil. **N'employez pas un interrupteur moulu de circuit de défaut.**



# IMPORTANTES CONSIGNES DE SÉCURITÉ

## **AVERTISSEMENT**

Lors de l'utilisation l'appareil, il faut prendre des mesures de sécurité élémentaires, y compris les suivantes :

- AVERTISSEMENT** Pour réduire le risque de brûlures, de choc électrique, de blessures personnelles et d'exposition excessive à l'énergie micro-onde :
1. Lire toutes les directives avant d'utiliser l'appareil.
  2. Lire et suivre expressément les « MESURES POUR ÉVITER UNE EXPOSITION POSSIBLE À UNE ÉNERGIE MICRO-ONDE EXCESSIVE » à la page 2.
  3. Cet appareil doit être correctement mis à la terre. Voir les directives d'installation séparées pour les consignes de mise à la terre.
  4. Installer cet appareil uniquement selon les directives d'installation fournies.
  5. Certains produits comme les œufs entiers ou des contenants scellés —par exemple, des bocaux fermés— exploseront et ne doivent pas être chauffés au l'appareil.
  6. N'utiliser cet appareil que pour l'usage prévu comme décrit dans ce manuel. Ne pas utiliser de produits chimiques ou de vapeurs corrosives dans cet appareil. Cet appareil est spécifiquement conçu pour chauffer, cuire ou sécher de la nourriture. Il n'a pas été conçu pour un usage industriel ou de laboratoire.
  7. Comme tout appareil, une surveillance attentive est nécessaire quand des enfants l'utilisent.
  8. Ne pas faire fonctionner cet appareil si son cordon ou sa fiche sont endommagés, s'il ne fonctionne pas correctement ou s'il a été endommagé ou est tombé.
  9. Seul un personnel qualifié doit réparer cet appareil. Communiquer avec le réparateur Dacor autorisé le plus proche pour une inspection, une réparation ou in réglage.
  10. Ne couvrir ou bloquer aucune ouverture de cet appareil.
  11. Ne pas ranger ou utiliser cet appareil à l'extérieur. Ne pas utiliser ce produit près de l'eau —par exemple, près d'un évier de cuisine, dans un sous-sol humide, près d'une piscine ou autre endroit semblable.
  12. Ne pas immerger le cordon ou la prise dans l'eau.
  13. Tenir le cordon loin des surfaces chauffées.
  14. Ne pas monter ou s'asseoir sur de l'appareil.
  15. Assurez-vous de ne pas tenir vos doigts ou autres objets ou matériaux près de l'ouverture du tiroir quand le l'appareil est fermé.
  16. Ne pas placer les doigts ou des vêtements près des glissières du tiroir lors de l'ouverture ou de la fermeture du l'appareil. Il pourrait être pris dans les glissières lors de la fermeture du tiroir.
  17. Vérifier que la nourriture ou le contenant sont plus petits que du tiroir avant de le fermer. Vous pouvez vous reporter à la hauteur des parois latérales cet appareil.
  18. Lors du nettoyage des surfaces d'étanchéité qui viennent en contact lors de la fermeture l'appareil, utiliser uniquement des savons ou des détergents doux non abrasifs à l'aide d'une éponge ou d'un chiffon doux. Voir les consignes de nettoyage à la page 16.
  19. Pour réduire le risque d'incendie dans la cavité du l'appareil:
    - a. Ne pas trop faire cuire les aliments. Rester prudemment près du four lorsqu'on utilise du papier, du plastique ou tout autre matériel combustible pour faciliter la cuisson.
    - b. Retirer les attaches de métal des sacs de papier ou de plastique avant de mettre les sacs au four.
    - c. Si les matériaux à l'intérieur du l'appareil prennent feu, garder la porte du four fermée, arrêter le four et couper l'électricité au fusible ou au panneau d'entrée.
    - d. Ne pas utiliser la cavité comme espace de rangement. Ne laisser ni papier, ni ustensiles de cuisson, ni aliments dans l'appareil lorsque l'appareil n'est pas utilisé.
  20. Des liquides comme l'eau, le café ou le thé peuvent chauffer au-delà du point d'ébullition sans qu'aucun bouillonnement n'apparaisse à cause de la tension de surface du liquide. Ainsi, quand le contenant est retiré du l'appareil, il peut ne pas y avoir d'ébullition ou de bouillonnement apparents. **IL PEUT EN RÉSULTER UN DÉBORDEMENT DES LIQUIDES TRÈS CHAUDS LORSQU'UNE CUILLER OU UN AUTRE USTENSILE EST PLONGÉ DANS LE LIQUIDE.**

Pour réduire le risque de blessures personnelles :

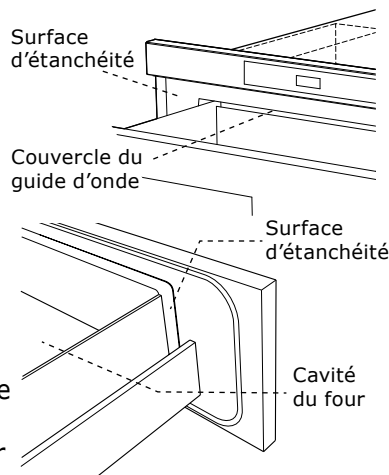
    - a. Ne pas trop chauffer le liquide.
    - b. Remuer le liquide et avant de le chauffer et à mi-cuisson.
    - c. Ne pas utiliser de contenants à bords droits et à goulot mince. Utiliser un bocal à large goulot.
    - d. Après le chauffage, laisser reposer le contenant dans le four à l'appareil pour au moins 20 secondes avant de le retirer.
    - e. Faire très attention lorsque vous mettez une cuiller ou un autre ustensile dans le contenant.
  21. Si la lumière l'appareil manque, consulter un RÉPARATEUR DACOR AUTORISÉ.

## LIRE ET CONSERVER CES DIRECTIVES

# Ce Que Vous Devez Savoir

## À Propos Du Déballage Et De L'inspection De Votre Microwave In-A-Drawer™

1. Retirer tous les matériaux d'emballage de l'intérieur du Microwave In-A-Drawer™. **NE PAS RETIRER LE GUIDE D'ONDES** qui est situé au plafond du Microwave In-A-Drawer™.



2. Retirer l'étiquette des caractéristiques, s'il y en a une. Vérifier que le four n'a aucun dommage, comme un tiroir mal aligné ou plié, des joints ou des surfaces d'étanchéité de porte endommagés, des glissières cassés ou lâches et des bosses à l'intérieur de la cavité ou sur la façade du tiroir. En cas de dommages, ne pas faire fonctionner le Microwave In-A-Drawer™ et contacter votre détaillant ou un RÉPARATEUR AUTORISÉ DACOR.

### INTERFÉRENCE RADIO OU TÉLÉVISION

Si le Microwave In-A-Drawer™ provoque de l'interférence avec la radio ou la télévision, vérifier qu'il est branché sur un circuit électrique indépendant, en éloigner la radio ou la télévision le plus possible et vérifier la position et le signal de l'antenne de réception.

## À Propos De Votre Microwave In-A-Drawer™

Veiller à ce qu'il y ait TOUJOURS des aliments dans le tiroir lorsqu'il est allumé, de sorte qu'ils absorbent l'énergie micro-onde.

L'événement sous le four doit toujours être dégagé.

Pendant la cuisson aux micro-ondes, de la vapeur peut s'échapper par le côté droit de l'événement.

Quand on utilise le Microwave In-A-Drawer™ à des niveaux de puissance inférieurs à 100 %, on peut entendre la mise en marche et l'arrêt du magnétron. Il est normal que l'extérieur du tiroir soit chaud au toucher pendant la cuisson ou le réchauffage.

La condensation est un phénomène normal pendant la cuisson aux micro-ondes. L'humidité ambiante et la teneur en eau des aliments déterminent le degré de condensation à l'intérieur du tiroir. En règle générale, les aliments couverts produisent moins de condensation que ceux cuits à découvert.

Le Microwave In-A-Drawer™ n'est conçu que pour la

préparation des aliments. Il ne doit pas servir à faire sécher des vêtements ou des journaux.

La puissance nominale de ce four est égale à 950 watts selon la méthode d'essai IEC. Vérifier la cuisson des aliments une minute ou deux avant l'expiration du temps minimum indiqué sur les recettes et les emballages et, s'il y a lieu, augmenter le temps de cuisson.

Lors d'une ouverture ou d'une fermeture rapide du Microwave In-A-Drawer™, de la nourriture peut être renversée dans le tiroir. Pour nettoyer, veuillez vous reporter au chapitre Nettoyage et entretien à la page 18.

## À Propos De La Cuisson Aux Microondes

- Disposer les aliments avec soin. Placer la partie la plus épaisse des aliments vers l'extérieur du plat.
- Surveiller le temps de cuisson. Cuire les aliments pendant la plus courte période indiquée et prolonger la cuisson au besoin. Des aliments trop cuits peuvent dégager de la fumée ou prendre feu.
- Recouvrir les aliments pendant la cuisson. Selon la recette ou le livre de cuisine, utiliser un essuie-tout, du papier ciré, un film plastique allant au micro-onde ou un couvercle. Couvrir les aliments empêche les éclaboussures et leur permet de cuire de manière uniforme.
- Protéger les parties de viande ou de volaille très minces par des petits écrans en papier d'aluminium pour éviter qu'ils ne cuisent trop vite par rapport aux parties plus épaisses.
- Si possible, remuer les aliments de l'extérieur du plat vers le centre une ou deux fois pendant la cuisson.
- Retourner les aliments comme du poulet et des hamburgers une fois au cours de la cuisson afin d'accélérer le processus. Il faut retourner les grosses pièces comme les rôtis au moins une fois.
- Au milieu de la cuisson, déplacer les aliments comme les boulettes de viande du haut vers le bas et de droite à gauche.
- Ajouter du temps de repos. Retirer les aliments du four et, si possible, les remuer. Couvrir les aliments pendant ce temps pour leur permettre de reposer. Vérifier que les aliments sont bien cuits. Rechercher les signes qui indiquent que les températures de cuisson ont été atteintes.
- Les signes d'une bonne cuisson sont les suivants :
  - La vapeur s'élève de toute la surface des aliments, pas seulement des bords.
  - Les cuisses de poulet se détachent facilement.
  - La viande et la volaille ne présentent plus de parties rosées.
  - Le poisson est opaque et se défait facilement à la fourchette.



# Ce Que Vous Devez Savoir

## À Propos Des Ustensiles Et Des Moyens De Couvrir Les Aliments

Il n'est pas nécessaire d'acheter une nouvelle batterie de cuisine. La plupart des ustensiles de votre cuisine peuvent être utilisés dans votre nouveau micro-onde. S'assurer que les ustensiles ne touchent pas les parois intérieures pendant la cuisson.

Se servir de ces ustensiles pour cuire et réchauffer sans danger aux micro-ondes :

- La vitrocéramique (Pyroceram®), comme Corningware®.
- Le verre résistant à la chaleur (Pyrex®)
- Les plastiques pour micro-ondes
- Les assiettes en papier pour micro-ondes
- La céramique, la poterie, la porcelaine pour micro-ondes
- Les plats à brunir (ne pas dépasser pas les temps de préchauffage recommandés. Suivre les directives du fabricant).

Les articles suivants peuvent être utilisés pour le réchauffage très court des aliments qui contiennent peu de sucre ou de graisses :

- Le bois, la paille et l'osier

### NE PAS UTILISER

- De casseroles et de plats de cuisson métalliques
- De plats à bordure métallique
- Du verre qui ne résiste pas à la chaleur
- De plastiques ne convenant pas aux micro-ondes (contenants de margarine)
- De produits en papier recyclé
- De sacs en papier brun
- De sacs pour la conservation des aliments
- D'attaches métalliques

Pour vérifier si un plat va au four à micro-ondes, le placer dans le four et mettre le four en marche à la puissance maximale pendant 30 secondes. Si le plat devient très chaud, il ne faut pas l'employer.

### LES ARTICLES SUIVANTS SONT IDÉALS POUR COUVRIR :

- Les essuie-tout conviennent bien pour recouvrir les aliments pendant le réchauffage et pour absorber la graisse de cuisson du bacon.
- Le papier ciré peut être employé pour la cuisson et le réchauffage.
- Le film plastique destiné spécialement à l'usage du micro-onde peut être utilisé pour la cuisson et le réchauffage. Le film plastique ne doit JAMAIS entrer en contact avec les aliments. Faire une ouverture pour laisser la vapeur s'échapper.
- Les couvercles pour micro-ondes sont un très bon choix, car ils concentrent la chaleur sur les aliments et

accélèrent la cuisson.

- Les sacs de cuisson au four conviennent pour les grosses pièces de viande ou les aliments à attendrir. NE PAS SE SERVIR d'attaches métalliques. Ne pas oublier de percer le sac pour laisser s'échapper la vapeur.

### COMMENT SE SERVIR DU PAPIER ALUMINIUM DANS VOTRE TIROIR:

- De petits morceaux non froissés de papier aluminium posés sur les aliments peuvent servir à protéger les parties qui décongèlent ou cuisent trop rapidement.
- Le papier d'aluminium doit être à au moins 2,5 cm des surfaces du Microwave In-A-Drawer™.

Pour toute question concernant les ustensiles ou la manière de couvrir les aliments, consulter un bon livre de cuisine spécialisé en micro-ondes ou suivre les conseils de la recette.

### ACCESSORIES:

De nombreux accessoires pour four à micro-ondes sont offerts sur le marché. Évaluer soigneusement vos besoins avant d'en faire l'acquisition. Un thermomètre pour micro-ondes permettra de vérifier la cuisson à point et de s'assurer que les aliments ont été cuits à la bonne température. Dacor n'est pas responsable des dommages au tiroir résultant de l'utilisation d'accessoires.

## Ouverture Ou Fermeture Du Tiroir

Toujours appuyer sur les touches OPEN ou CLOSE du panneau de commande pour ouvrir ou fermer le tiroir.

**Ne pas pousser ou tirer le tiroir à la main, sauf en cas d'urgence, comme une panne de courant. En cas de nécessité, pousser ou tirer doucement.**

## À Propos Des Enfants Et Du Micro-onde

Les enfants de moins de 7 ans ne devraient utiliser le Microwave In-A-Drawer™ que sous la surveillance étroite d'un adulte. Entre 7 et 12 ans, l'adulte surveillant doit se trouver dans la même pièce qu'eux. L'enfant doit pouvoir accéder facilement au tiroir.

Jamais personne ne doit être autorisé à s'appuyer ou à s'asseoir sur le Microwave In-A-Drawer™.

Il faut enseigner les mesures de sécurité aux enfants : Employer des gants isolants, enlever les couvercles avec précaution, faire très attention aux contenants d'aliments croustillants parce qu'ils peuvent devenir très chauds.

Ne pas présumer qu'un enfant qui connaît bien une fonction de l'appareil peut cuire n'importe quoi.

Les enfants doivent apprendre que le Microwave In-A-Drawer™ n'est pas un jouet. Voir à la page 16 la caractéristique du verrouillage des commandes.

# Ce Que Vous Devez Savoir

## À Propos De La Sécurité

Inspecter les aliments pour voir s'ils ont été cuits aux températures recommandées par le ministère de l'agriculture des États-Unis.

71 °C (160 °F) - Pour le porc frais, la viande hachée, le blanc de poulet désossé, le poisson, les fruits de mer, les oeufs frais et les aliments préparés surgelés.

74 °C (165 °F) - Pour les restes, les aliments réfrigérés prêts-à-réchauffer, et les aliments frais d'un traiteur ou l'équivalent.

77 °C (170 °F) - Les blancs de volaille.

82 °C (180 °F) - La viande brune de volaille.

Pour vérifier si les aliments sont cuits à point, insérer un thermomètre à viande dans un endroit épais, à l'écart de la graisse et des os. Ne JAMAIS laisser le thermomètre dans les aliments qui cuisent, sauf s'il est approuvé pour emploi aux micro-ondes.

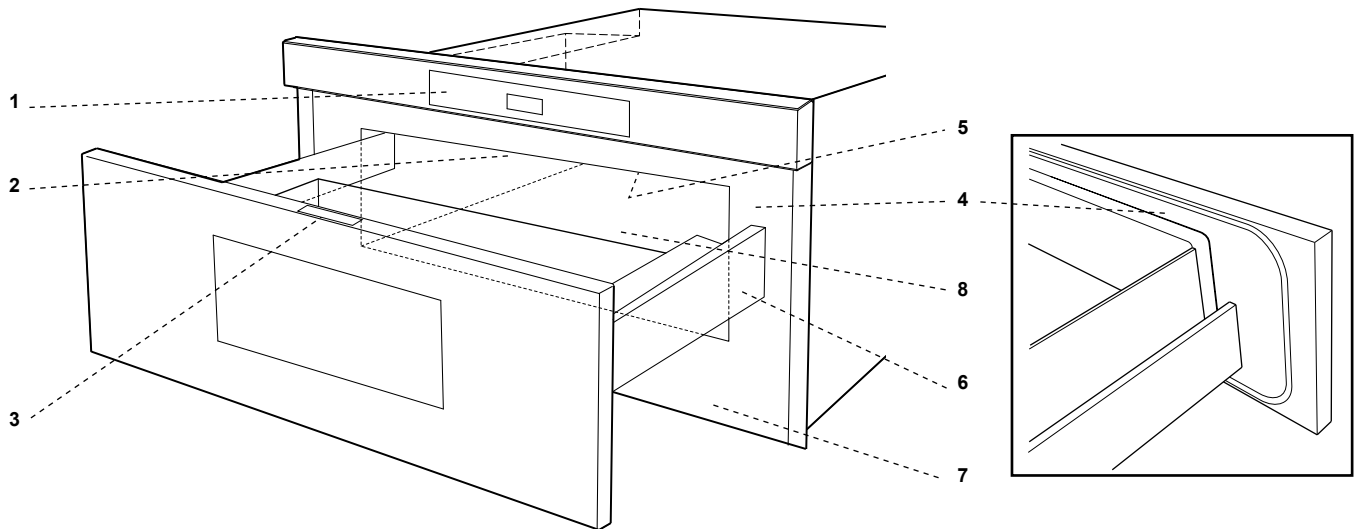
- TOUJOURS utiliser des gants isolants pour éviter des brûlures lorsque l'on se sert d'ustensiles en contact avec des aliments chauds. Assez de chaleur des aliments peut être transféré aux ustensiles pour provoquer des brûlures de la peau.
- Diriger la vapeur loin du visage et des mains afin d'éviter des brûlures. Soulever doucement la partie la plus éloignée des couvercles et des pellicules et ouvrir lentement les sacs de maïs soufflé ou de cuisson en les tenant loin du visage.
- Rester près du four quand il fonctionne et vérifier fréquemment la cuisson afin d'éviter de trop cuire les aliments.
- Ne JAMAIS entreposer des livres de cuisine ou autres objets dans le Microwave In-A-Drawer™.
- Choisir, entreposer et manipuler la nourriture de manière à préserver sa qualité et de minimiser la prolifération de bactéries alimentaires.
- Garder propre le couvercle du guide d'ondes. Les résidus d'aliments peuvent causer des étincelles ou s'enflammer. Voir page 18.

## À Propos Des Aliments

ALIMENTS	À FAIRE	À NE PAS FAIRE
<b>Oeufs, saucisses, fruits et légumes</b>	<ul style="list-style-type: none"><li>• Percer les jaunes d'œufs avant la cuisson pour empêcher une « explosion ».</li><li>• Percer la peau des pommes de terre, des pommes, des courges, des hot dogs et des saucisses pour que la vapeur s'échappe.</li></ul>	<ul style="list-style-type: none"><li>• Cuire les œufs dans leur coquille</li><li>• Réchauffer des œufs entiers</li><li>• Sécher des noix ou des graines dans leur coquille</li></ul>
<b>Maïs soufflé</b>	<ul style="list-style-type: none"><li>• Utiliser du maïs soufflé en sac pour micro-onde.</li><li>• Porter attention à l'éclatement du maïs pour que celui-ci ralentisse à 1 ou 2 secondes ou utiliser la touche <b>SENSOR POPCORN</b>.</li></ul>	<ul style="list-style-type: none"><li>• Faire éclater du maïs soufflé dans des sacs bruns ordinaires ou des bols de verre</li><li>• Dépassez le temps maximal inscrit sur le paquet de maïs soufflé.</li></ul>
<b>Aliments pour bébé</b>	<ul style="list-style-type: none"><li>• Transférer les aliments pour bébé dans un plat plus petit et chauffer prudemment en remuant souvent. Vérifier la température avant de servir</li><li>• Mettre les tétines sur les bouteilles après le réchauffage et bien agiter. Essayer sur le poignet avant de nourrir.</li></ul>	<ul style="list-style-type: none"><li>• Chauffer les bouteilles jetables.</li><li>• Chauffer les bouteilles avec les tétines.</li><li>• Chauffer les aliments pour bébé dans les pots d'origine</li></ul>
<b>Général</b>	<ul style="list-style-type: none"><li>• Couper les aliments avec garniture après chauffage pour relâcher la vapeur et éviter les brûlures.</li><li>• Remuer vivement les liquides avant et après chauffage pour empêcher une « éruption ».</li><li>• Se servir d'un bol profond, pour cuire des liquides ou des céréales pour empêcher les débordements.</li><li>• Vous pouvez vous reporter à la hauteur des parois latérales du tiroir.</li></ul>	<ul style="list-style-type: none"><li>• Chauffer ou cuire dans des pots de verre fermés ou des contenants hermétiques</li><li>• Mettre en conserve dans le micro-onde car des bactéries dangereuses pourraient ne pas être détruites.</li><li>• Faire frire de la graisse épaisse</li><li>• Sécher du bois, des gourdes, des herbes ou des papiers humides</li></ul>

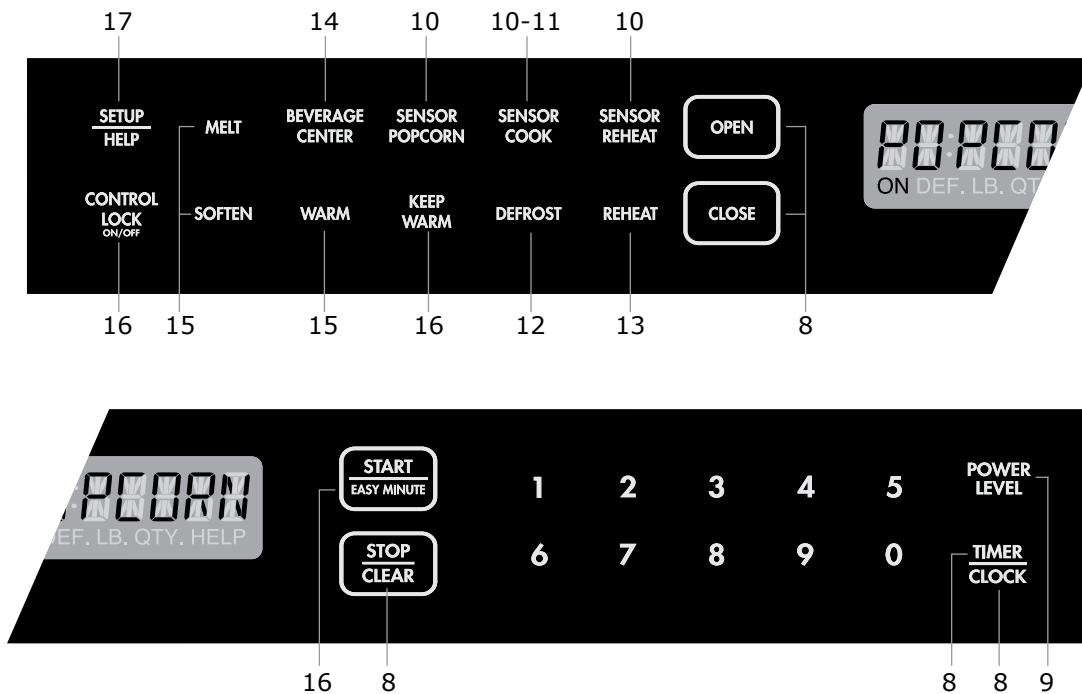
# Nom des Pièces

## Microwave In-A-Drawer™



- |   |  |
|---|--|
| 1. Panneau de commande                              | 6. Glissières du tiroir  |
| 2. Couvercle du guide d'ondes <b>NE PAS ENLEVER</b> | 7. Évnt  |
| 3. Aide-mémoire                                     | 8. Étiquette des caractéristiques nominales : Ouvrez entièrement le tiroir micro-ondes. L'étiquette est sur le plancher de la cavité du four juste après le panneau arrière du tiroir. |
| 4. Surfaces d'étanchéité du tiroir                  |  |
| 5. Lumière du tiroir                                |  |

## FEUILLE DES TOUCHES



Les chiffres à côté de l'illustration des touches indiquent les pages où on retrouve la description des caractéristiques et les renseignements concernant l'utilisation.

# Avant L'utilisation

Avant d'utiliser votre nouveau Microwave In-A-Drawer™, prendre la peine de lire et de comprendre intégralement ce mode d'emploi.

- Avant d'utiliser le Microwave In-A-Drawer™, procéder ainsi :
  - Brancher le Microwave In-A-Drawer™.  
ENJOY YOUR MICRO- WAVE TOUCH CLEAR  
AND TOUCH CLOCK s'affichera.
  - Appuyer sur la touche **STOP/CLEAR**.  
: s'affiche.
  - Régler l'horloge.

## Pour Régler L'horloge

- Appuyer sur la touche **TIMER/CLOCK** et sur [2].
- Appuyer sur les chiffres pour corriger l'heure du jour et appuyer de nouveau sur **TIMER/CLOCK**.

Cette horloge a un cycle de 12 heures..En cas d'entrée d'une heure invalide, ERROR s'affichera. Appuyer sur la touche **STOP/CLEAR** et entrer à nouveau l'heure.

- Si l'alimentation électrique du four à micro-ondes est coupée, ENJOY YOUR MICRO- WAVE TOUCH CLEAR AND TOUCH CLOCK s'affichera et clignotera dès que l'alimentation sera rétablie. Si cela se produit durant la cuisson, la programmation sera effacé. L'heure aussi sera effacée. Appuyer simplement sur la touche **STOP/CLEAR** et remettre l'horloge à l'heure.

### NOTA :

- Le Microwave In-A-Drawer™ peut être programmé avec le tiroir ouvert sauf pour **START/EASY MINUTE**.

## Timer (Minuterie)

- Appuyer sur la touche **TIMER/CLOCK** et sur [1].
- Entrer l'heure.
- Appuyer à nouveau sur la touche **TIMER/CLOCK**.
- Pour annuler la minuterie appuyer sur **STOP/CLEAR**.

## Stop/Clear (Arrêt/Remise À Zéro)

Appuyer sur la touche **STOP/CLEAR** pour:

- Effacer une erreur durant la programmation.
- Annuler la minuterie.
- Arrêter le micro-ondes tiroir temporairement durant la cuisson.
- Afficher à nouveau l'heure.
- Annuler un programme durant la cuisson, appuyer deux fois.

## Ouverture Ou Fermeture Du Tiroir

Toujours appuyer sur les touches **OPEN** ou **CLOSE** du panneau de commande pour ouvrir ou fermer le tiroir.

Ne pas pousser ou tirer le tiroir à la main, sauf en cas d'urgence, comme une panne de courant. En cas de nécessité, pousser ou tirer doucement.

## Mode veille

Cette Microwave In-A-Drawer™ se met en mode veille après une période d'inactivité. Le rétro-éclairage de l'écran dim automatiquement après 3 minutes si l'unité n'a pas été appliqué. Si l'affichage est en mode veille, il suffit de toucher le panneau de commande ou pour ouvrir / fermer la porte retourner le rétroéclairage à la luminosité maximale.

# Cuisson au Microwave In-A-Drawer™

## Temps De Cuisson

Votre Microwave In-A-Drawer™ peut être programmé pour 99 minutes 99 secondes (99.99). Toujours entrer les secondes après les minutes même si les deux sont égales à zéro.

- Supposons que l'on veuille faire cuire pendant 5 minutes à 100 %.
- Entrer le temps de cuisson   .
  - Pour cuire à la puissance 100 % (élevée), Appuyer sur la touche **START/EASY MINUTE**.

## Pour Régler Le Niveau De Puissance

Onze niveaux de puissance sont prévus.

Plus le niveau de puissance est faible, plus le temps de cuisson est long, ce qui est conseillé pour les aliments tels que le fromage, le lait ou les viandes qui exigent une cuisson lente. Consulter un livre de cuisine ou de recettes pour chaque cas particulier.

- Supposons que l'on veuille décongeler pendant 5 minutes à 30 %.
- Entrer le temps de décongélation   .
  - Appuyer 8 fois sur la touche **POWER LEVEL**.
  - Appuyer sur **START/EASY MINUTE**.

APPUYER SUR LA TOUCHE POWER LEVEL JUSQU'À CE QUE LE NIVEAU DE PUISSANCE DÉSIRÉ S'AFFICHE	POURCENTAGE APPROXIMATIF DE LA PUISSANCE	NOMS DONNÉS AUX NIVEAUX DE PUISSANCE
Power Level x 1	100%	Fort
Power Level x 2	90%	
Power Level x 3	80%	
Power Level x 4	70%	À demi fort
Power Level x 5	60%	
Power Level x 6	50%	Moyen
Power Level x 7	40%	
Power Level x 8	30%	Moyen faible/ Décongélation
Power Level x 9	20%	
Power Level x 10	10%	Faible
Power Level x 11	0%	

## Réglages Des Capteurs

Le capteur de Dacor est un dispositif à semi-conducteur qui décèle la vapeur humidité émise par les aliments lorsqu'ils sont chauffés. Le capteur permet de régler les durées de cuisson et les niveaux de puissance selon les divers aliments et leur quantité.

### UTILISATION DES RÉGLAGES DU CAPTEUR :

- Après le branchement du Microwave In-A-Drawer™, attendre 2 minutes avant d'utiliser un réglage du capteur.
- S'assurer que l'extérieur du récipient de cuisson et l'intérieur du Microwave In-A-Drawer™ sont secs. Essuyer toute trace d'humidité avec un chiffon sec ou un essuie-tout.
- Le capteur fonctionne pour les aliments conservés à la température de rangement normale. Par exemple, le maïs soufflé devrait être à la température de la pièce.
- Toute sélection du capteur peut être programmée avec réglage de durée en plus ou en moins (More or Less Time Adjustment). Voir page 17.
- Au cours de la première période d'utilisation du capteur, le nom de l'aliment s'affichera. Ne pas ouvrir la porte du Microwave In-A-Drawer™, ni appuyer sur la touche **STOP/CLEAR** au cours de cette période, car cela provoquerait l'interruption de la mesure du degré d'humidité. Dans un tel cas, un message d'erreur s'affichera. Pour poursuivre la cuisson, appuyer sur la touche **STOP/CLEAR** et cuire en mode manuel.  
  
Quand le capteur détectera la vapeur émise par les aliments, le temps de cuisson/réchauffage restant s'affichera. On peut ouvrir le Microwave In-A-Drawer™ lorsque le temps de cuisson restant s'affiche à l'écran. À ce moment-là, on peut aussi remuer les aliments et les assaisonner, au goût.
- Si pendant le soufflage du maïs, le capteur ne détecte pas correctement la vapeur émise, le four cessera de fonctionner et l'heure sera affichée. Si le capteur ne détecte pas correctement la vapeur émise lors de la cuisson d'autres aliments, l'indication  s'affichera et le micro-onde cessera de fonctionner.
- Vérifier la température des aliments après cuisson. S'il faut plus de temps, continuer à cuire en mode manuel.
- Il existe un conseil de cuisson pour chaque aliment. Appuyer sur la touche **SET UP/HELP** quand l'indicateur HELP est allumé sur l'afficheur.

# Cuisson au Microwave In-A-Drawer™

## COVERING ALIMENTS:

Certains aliments cuisent mieux lorsqu'ils sont couverts. Se servir du couvercle recommandés dans les tableaux pour ces aliments. Vous pouvez vous reporter aux conseils en appuyant sur la touche **SET UP/HELP**.

1. Couvercle.
2. Film plastique : Utiliser un film plastique recommandé pour la cuisson aux micro-ondes. Couvrir le plat sans serrer et en conservant une ouverture de 1,25 cm (1/2 po) de manière à ce que la vapeur puisse s'échapper. Le film plastique ne doit pas entrer en contact avec les aliments.
3. Papier ciré : Couvrir entièrement le plat et replier le papier sous le plat de manière à ce qu'il soit maintenu. Si le plat est plus large que le papier, utiliser deux morceaux de papier se chevauchant d'au moins 2,5 cm (1 po).

Faire attention en retirant l'élément couvrant les aliments de laisser la vapeur s'échapper loin de vous.

## Sensor Popcorn / Sensor Reheat (Mais Soufflé Au Capteur / Réchauffage Au Capteur)

Vous pouvez faire éclater du maïs ou réchauffer de nombreux aliments sans avoir besoin de calculer le temps de cuisson ou le niveau de puissance.

Appuyer sur **SENSOR REHEAT** ou **SENSOR POPCORN** puis sur la touche **START/EASY MINUTE**.

Quand le capteur détectera la vapeur émise par les aliments, le temps restant de cuisson/réchauffage s'affichera.

### NOTA :

- Il y a 2 choix pour le réglage du maïs soufflé au capteur. Suivre les instructions sur l'afficheur pour choisir l'option désirée.

## TABLEAU DE SENSOR POPCORN / SENSOR REHEAT

ALIMENTS	QUANTITÉ	MARCHE À SUIVRE
Sensor Popcorn	1 paquet à la fois	N'utiliser que du maïs soufflé emballé pour le micro-onde. Essayer plusieurs marques et choisir celle qui vous plait. Ne pas tenter de souffler les grains qui n'ont pas éclaté.
	80 – 98 g (2,85 – 3,5 oz) (Régulier / Régulier léger)	Appuyer une fois sur <b>SENSOR POPCORN</b> .
	34 – 50 g (1,2 – 1,75 oz) (Mini / Collation)	Appuyer deux fois sur <b>SENSOR POPCORN</b> .
Sensor Reheat	112g – 1 kg (4 – 36 oz)	Mettre dans un plat ou une casserole un peu plus grande que la quantité à réchauffer. Aplatir si possible. Couvrir avec un couvercle, film plastique ou un papier ciré. Couvrir avec du film plastique ou des couvercles pour de plus grandes quantités d'aliments plus denses comme les ragoûts. Si possible, bien remuer après réchauffage. Couvrir à nouveau et laisser reposer 2 à 3 minutes. Les aliments devraient être très chauds. Dans le cas contraire, continuer à chauffer avec une puissance et une durée variables.

## Sensor Cook (Cuisson Au Capteur)

1. Appuyer une fois sur la touche **SENSOR COOK**.

SEE LABEL SELECT FOOD NUMBER

2. Voir l'aide-mémoire. Choisir un aliment en appuyant sur un chiffre. Ex : Appuyer **5** fois pour des pommes terre au four.

3. Appuyer sur **START/EASY MINUTE**.

### NOTA :

- Pour réchauffer d'autres aliments ou des aliments en quantités inférieure ou supérieure à celles permises sur le TABLEAU DE SENSOR COOK, cuire en mode manuel.



# Cuisson au Microwave In-A-Drawer™

## TABLEAU DE SENSOR COOK

ALIMENTS	QUANTITÉ	MARCHE À SUIVRE															
1. Légumes frais : Rapide Brocoli Choux de Bruxelles Choux Chou-fleur (en bouquet) Chou-fleur (entier) Épinards Courgettes Pommes au four	0,25 - 2 lb. 0,25 - 2 lb. 0,25 - 2 lb. 0,25 - 2 lb. 1 moyen 0,25 - 1.0 lb. 0,25 - 2 lb. 2 - 4 moyen	Laver et mettre dans une casserole. Ne pas ajouter d'eau si les légumes viennent d'être lavés. Couvrir avec un couvercle pour obtenir des légumes tendres. Utiliser un film plastique pour obtenir des légumes tendres mais croustillants. Après la cuisson, remuer si possible, Laisser reposer, à couvert, 2 à 5 minutes.															
2. Légumes frais : Longue Carottes, tranchées Maïs en épi Haricots verts Courge d'hiver : en dés en moitié	0,25 - 1,5 lb. 2 - 4 0,25 - 1,5 lb. 0,25 - 1,5 lb. 1 - 2	Mettre dans une casserole. Ajouter 1 à 4 c. à soupe d'eau. Couvrir avec un couvercle pour obtenir des légumes tendres. Utiliser un film plastique pour obtenir des légumes tendres mais croustillants. Après la cuisson, remuer si possible, Laisser reposer, à couvert, 2 à 5 minutes.															
3. Légumes congelés	0,25 - 1,25 lb.	Ne pas ajouter d'eau. Couvrir avec un couvercle ou un film plastique. Après la cuisson, remuer et laisser reposer, à couvert, 3 minutes.															
4. Plats congelés	112g - 1kg (6 - 17 oz)	Utiliser cette touche pour les plats prêt-à-servir congelés. Cela donnera des résultats satisfaisants avec la plupart des marques. Peut-être voudrez-vous en essayer plusieurs et choisir votre préféré. Retirer le plat de l'emballage extérieur et suivre les indications pour le recouvrement du plat. Après la cuisson, laisser reposer, à couvert, 1 à 3 minutes.															
5. Pommes terre au four 6. Patates douces	1 - 6 moyen	Les piquer. Les placer sur un essuie-tout au fond du tiroir. Après la cuisson, les retirer du four, les envelopper dans une feuille d'aluminium et les laisser reposer pendant 5 à 10 minutes.															
7. Viande hachée	0,25 - 2 lb.	Utiliser ce réglage pour cuire du bœuf ou de la dinde hachés en fricadelles ou en cocotte avec d'autres ingrédients. Placer les fricadelles sur une grille transparente aux micro-ondes et couvrir de papier ciré. Placer la viande hachée dans une cocotte et couvrir avec du papier ciré ou du film plastique. Quand le four s'arrête, retourner les fricadelles ou mélanger la viande dans la cocotte pour séparer les gros morceaux. Recouvrir et appuyer sur <b>START/EASY MINUTE</b> . Après la cuisson, laisser reposer, à couvert, 2 à 3 minutes.															
8. Poisson/Fruits de mer	0,25 - 2 lb	Disposer en anneau autour d'un plat en verre peu profond (rouler le filet en mettant les bords en dessous). Couvrir avec du film plastique ventilé. Après la cuisson, laisser reposer, à couvert, 3 minutes															
9. Riz 10. Riz brun	0,5 à 2 tasses	Placer le riz dans une cocotte profonde et ajouter le double d'eau. Couvrir avec un couvercle ou un film plastique. Après la cuisson, remuer, couvrir et laisser reposer de 3 à 5 minutes ou jusqu'à ce que tout le liquide ait été absorbé.															
		<table> <thead> <tr> <th>Riz</th> <th>Eau</th> <th>Taille de la casserole</th> </tr> </thead> <tbody> <tr> <td>0,5 tasse</td> <td>1 tasse</td> <td>1,5 pinte</td> </tr> <tr> <td>1 tasse</td> <td>2 tasses</td> <td>2 pinte</td> </tr> <tr> <td>1,5 tasse</td> <td>3 tasses</td> <td>2,5 ou 3 pintes</td> </tr> <tr> <td>2 tasses</td> <td>4 tasses</td> <td>3 pinte ou plus</td> </tr> </tbody> </table>	Riz	Eau	Taille de la casserole	0,5 tasse	1 tasse	1,5 pinte	1 tasse	2 tasses	2 pinte	1,5 tasse	3 tasses	2,5 ou 3 pintes	2 tasses	4 tasses	3 pinte ou plus
Riz	Eau	Taille de la casserole															
0,5 tasse	1 tasse	1,5 pinte															
1 tasse	2 tasses	2 pinte															
1,5 tasse	3 tasses	2,5 ou 3 pintes															
2 tasses	4 tasses	3 pinte ou plus															

# Cuisson au Microwave In-A-Drawer™

## Defrost (Décongélation)

Utiliser cette caractéristique pour décongeler les aliments indiqués dans le TABLEAU DE DEFROST.

- Appuyer sur la touche **DEFROST**.  
SEE LABEL SELECT FOOD NUMBER
- Voir l'aide-mémoire. Choisir l'aliment désirée en appuyant sur un chiffre. Ex : Appuyer sur [2] pour les biftecks ou les côtelettes.  
STEAKS CHOPS ENTER WEIGHT
- Entrer le poids en appuyant sur les chiffres [1] [0].  
1.0 LB
- Appuyer sur **START/EASY MINUTE**.
- Le four d'arrêtera pour que vous puissiez inspecter l'aliment.
- Après la première étape, ouvrir le Microwave In-A-Drawer™. Retourner le bifteck et masquer les parties chaudes. Fermer le tiroir. Appuyer sur **START/EASY MINUTE**.

- Après la deuxième étape, ouvrir le Microwave In-A-Drawer™. Masquer tout les parties chaudes. Fermer le micro-onde tiroir. Appuyer sur **START/EASY MINUTE**.
- À la fin du cycle de décongélation, masquer et laisser reposer comme indiqué dans le tableau ci-dessous.

### NOTA :

- Defrost peut être programmé avec réglage de durée en plus ou en moins. Voir page 17.
- Pour décongeler d'autres aliments dont le poids est supérieur ou inférieur à celui autorisé au TABLEAU DE DEFROST, voir la DÉCONGÉLATION MANUELLE.
- Ne pas décongeler jusqu'à ce que tous les cristaux de glace sont décongelés.
- Inspecter les aliments au signal du four. Après l'étape finale, de petites sections peuvent être encore gelées. Laisser reposer pour que le dégel se poursuive. Ne pas décongeler avant que tous les cristaux de glace soient fondus.
- Le masquage empêche que la cuisson ait lieu avant que le centre de l'aliment ne soit dégelé. Utiliser de petites bandes souples de papier d'aluminium pour couvrir les bords et les parties les moins épaisses de l'aliment.

## TABLEAU DE DEFROST

ALIMENTS	QUANTITÉ	MARCHE À SUIVRE
1. Viande hachée	0,5 - 2 lb	Retirer les parties dégelées après chaque signal sonore. Laisser reposer, à couvert, 5 à 10 minutes.
2. Biftecks/ Côtelettes	0,5 - 3 lb	Après chaque signal sonore, changer la disposition des aliments et masquer les parties chaudes ou dégelées au moyen de bandes de papier d'aluminium. Retirer la viande ou le poisson presque entièrement dégelés. Laisser reposer, à couvert, 10 à 20 minutes.
3. Poulet désossé	0,5 - 2 lb	Après chaque signal sonore, s'il y a des morceaux chauds ou dégelés, changer la disposition ou retirer. Laisser reposer, à couvert, 10 à 20 minutes.
4. Poulet avec les os	0,5 - 3 lb	Après chaque signal sonore, changer la disposition ou retirer les morceaux. s'il sont chauds ou dégelés Laisser reposer, à couvert, 10 à 20 minutes.
5. Rôti	2,0 - 4 lb	Mettre les parties grasses en dessous. Après chaque étape de décongélation, retourner et protéger les parties chaudes au moyen de bandes de papier d'aluminium. À la fin de la décongélation, laisser reposer à couvert de 30 à 60 minutes.

# Cuisson au Microwave In-A-Drawer™

## Décongélation Manuelle

Si les aliments que vous voulez décongeler ne sont pas dans le TABLEAU DE DÉCONGÉLATION, ou sont en quantité supérieure ou inférieure à celle de la colonne QUANTITÉ du TABLEAU DE DÉCONGÉLATION, vous devrez décongeler en mode manuel.

Vous pouvez décongeler tout aliment, cru ou déjà cuit, à l'aide du niveau de puissance de 30 %. Suivre exactement la marche suivre en 3 étapes sous LE RÉGLAGE DU NIVEAU DE PUISSANCE à la page 9. Estimer la durée de décongélation et appuyer sur la touche POWER LEVEL huit fois pour une puissance de 30%.

Pour des aliments crus ou déjà cuits, la règle d'or est d'environ 4 minutes par livre. Par exemple, 1 livre de spaghetti dégelera en 4 minutes.

Toujours arrêter le four périodiquement pour séparer et retirer les portions dégelées. Si les aliments ne sont pas complètement dégelés à la fin du temps de décongélation estimé, programmer le four en incréments d'1 minute, au niveau de puissance de 30 % jusqu'à décongélation complète.

Quand vous utilisez des contenants plastique sortant du congélateur, décongeler seulement assez longtemps pour retirer les aliments du plastique et les mettre dans un plat pour micro-onde.

## Reheat (Réchauffage)

Reheat calculera automatiquement le temps de réchauffage approprié et la puissance du four à micro-ondes pour les aliments énumérés dans le tableau suivant.

1. Appuyer une fois sur la touche **REHEAT**.
2. Voir l'aide-mémoire Choisir un aliment en appuyant sur un chiffre. Ex : Appuyer sur  pour des petits pains ou des muffins congelés.
3. Appuyer sur un chiffre pour choisir la quantité.  
Ex : Appuyer sur  pour 2 pains ou muffins.
4. Appuyer sur **START/EASY MINUTE**.

### NOTA :

- Reheat peut être programmé avec réglage de durée en plus ou en moins. Voir page 17.
- Pour réchauffer d'autres aliments ou des aliments en quantités inférieure ou supérieure à celle permise sur le TABLEAU DE REHEAT, réchauffer en mode manuel.

## TABLEAU DE REHEAT

ALIMENTS	QUANTITÉ	MARCHE À SUIVRE
1. Petits pains frais/muffins	1 - 8 pièces	Utiliser cette touche pour décongeler petits pains, muffins, biscuits, baguels, etc. il faut compter les grosses pièces comme 2 ou 3 de taille régulière. Disposer sur une assiette; couvrir avec un essuie-tout. Pour des petits pains et des muffins réfrigérés, il peut être nécessaire de doubler la quantité pour que la portion soit à la température appropriée. Par exemple, entrer la quantité 2 pour 1 petit pain réfrigéré.
2. Pains ou muffins congelés	1 - 8 pièces	Utiliser cette touche pour décongeler petits pains, muffins, biscuits, baguels, etc. il faut compter les grosses pièces comme 2 ou 3 de taille régulière. Disposer sur une assiette; couvrir avec un essuie-tout.

# Cuisson au Microwave In-A-Drawer™

## Beverage Center (Centre de boissons)

Beverage Center vous permet de réchauffer le café ou le thé pour réaliser une température plus convenable à la consommation, ou pour préparer du café ou du thé instantané.

1. Appuyez une fois sur **BEVERAGE CENTER**. SEE  
LABEL SELECT FOOD NUMBER
2. Regardez l'étiquette de Menu. Choisissez la sélection voulue en appuyant sur le pavé numérique.  
Ex: Appuyez sur le 2 pour préparer du café.

3. Répétez le processus en appuyant sur la même touche pour sélectionner la quantité. Ex: Appuyez 2 fois de plus le numéro 2 pour 2 tasses de café.
4. Appuyer sur **START/EASY MINUTE**.

### NOTA:

- Réchauffer peut être programmé avec un réglage de durée en plus ou en moins. Voir page 17.
- Si vous essayez de saisir un chiffre en dessous ou en dessus de la quantité permise, un message d'erreur s'affichera.

## TABLEAU DE BEVERAGE CENTER

ALIMENTS	QUANTITÉ	MARCHE À SUIVRE
1. Reheat beverage	0,5 à 2 tasses	Ce réglage sert à remettre une boisson chaude refroidie à une température convenable à la consommation. Appuyer sur la touche numéro <span style="border: 1px solid black; padding: 2px;">1</span> pour augmenter de 0,5 tasses par pression. Remuer après la cuisson.
2. Hot water	1 à 6 tasses	Utiliser ce réglage pour chauffer de l'EAU FROIDE DE ROBINET vers une température juste en dessous du point d'ébullition, pour préparer le café ou le thé instantané. Appuyer sur la touche numéro <span style="border: 1px solid black; padding: 2px;">2</span> pour augmenter de 1 tasse par pression. Remuer bien le liquide après la cuisson pour éviter toute «éruption» éventuelle.

# Cuisson au Microwave In-A-Drawer™

## Melt / Soften / Warm (Fondre/Ramollir/Chauffer)

Melt, Soften et Warm calculera automatiquement le temps de réchauffement approprié et la puissance du four à micro-ondes pour faire fondre, ramollir et réchauffer les aliments du tableau suivant.

- Appuyer une fois sur **MELT**.
- Voir l'aide-mémoire. Choisir un aliment en appuyant sur un chiffre. Ex : Appuyer sur  pour chocolat.

- Répéter la pression sur la même touche pour choisir la quantité. Ex : Appuyer sur  deux fois de plus pour 1 carré.
- Appuyer sur **START/EASY MINUTE**.

### NOTA :

- Melt, Soften et Warm peut être programmé avec réglage de durée en plus ou en moins. Voir page 17.
- Pour faire fondre, faire ramollir ou faire chauffer doucement un autre aliment ou d'autres aliments que ceux mentionnés ci-avant, ou pour des quantités en dessous ou en dessous de la quantité indiquée au tableau MELT/SOFTEN/WARM, faire fonctionner manuellement l'appareil.

### TABLEAU DE MELT/SOFTEN/WARM

ALIMENTS	QUANTITÉ	MARCHE À SUIVRE
Melt (Fondre)		Utiliser une tasse à mesurer en pyrex. Couvrir avec du film plastique ventilé.
1. Beurre	2 c. à soupe 1/2 tasse	Après une pression sur <b>MELT</b> , appuyer sur <input type="button" value="1"/> deux fois pour 2 c. à soupe. Après une pression sur <b>MELT</b> , appuyer sur <input type="button" value="1"/> trois fois pour 1/2 tasse.
2. Chocolat	1 tasse de brisures  1 carré	Après une pression sur <b>MELT</b> , appuyer sur <input type="button" value="2"/> deux fois pour 1 tasse de brisures. Après une pression sur <b>MELT</b> , appuyer sur <input type="button" value="2"/> trois fois pour 1 carré.
Soften (Ramollir)		NE COUVREZ PAS.
1. Crème glacée	1 chopine 1/2 litres	Après une pression sur <b>SOFTEN</b> , appuyer sur <input type="button" value="1"/> deux fois pour 1 chopine. Après une pression sur <b>SOFTEN</b> , appuyer sur <input type="button" value="1"/> trois fois pour 1/2 litres.
2. Fromage à la crème	84 g. 184 g.	Après une pression sur <b>SOFTEN</b> , appuyer sur <input type="button" value="2"/> deux fois pour 84 g. Après une pression sur <b>SOFTEN</b> , appuyer sur <input type="button" value="2"/> trois fois pour 184 g.
Warm (Chauffer)		Utiliser une tasse à mesurer en pyrex. NE COUVREZ PAS.
1. Sirop	1/4 tasse 1/2 tasse	Après une pression sur <b>WARM</b> , appuyer sur <input type="button" value="1"/> deux fois pour 1/4 tasse. Après une pression sur <b>WARM</b> , appuyer sur <input type="button" value="1"/> trois fois pour 1/2 tasse.
2. Garniture de dessert	1/4 tasse 1/2 tasse	Après une pression sur <b>WARM</b> , appuyer sur <input type="button" value="2"/> deux fois pour 1/4 tasse. Après une pression sur <b>WARM</b> , appuyer sur <input type="button" value="2"/> trois fois pour 1/2 tasse.

# Autres Caractéristiques

## Keep Warm (Micro Réchaud)

Keep Warm vous permet de garder les aliments au chaud pendant 30 minutes.

### USAGE DIRECT

1. Appuyer sur la touche **KEEP WARM**.

**ENTER** **TIME** **UP TO** **30** **MINUTES**

2. Entrer la durée désirée en appuyant sur les chiffres. Pour entrer 30 minutes appuyer sur **3****0****0****0**.

**30.00** **TOUCH** **START**

3. Appuyer sur **START/EASY MINUTE**.

Le four se mettra en marche. L'afficheur indiquera **30.00** et le compte à rebours. **KEEP** **WARM** sera affiché pendant le compte à rebours.

### AVEC CUISSON EN MODE MANUEL

1. Entrer le temps de cuisson et le niveau de puissance.
2. Appuyer sur la touche **Keep Warm**.
3. Entrer la durée de réchauffage désirée jusqu'à 30 minutes.
4. Appuyer sur **START/EASY MINUTE**.

L'opération démarrera. Quand la durée de cuisson est terminée, une longue tonalité résonnera et Keep Warm démarrera. L'afficheur indiquera le compte à rebours **KEEP** **WARM** sera affiché de manière intermittente pendant le compte à rebours.

#### NOTA :

- Si vous essayez d'entrer plus de 30 minutes pour Keep Warm, un message d'erreur s'affichera.
- Keep Warm ne peut pas être programmé avec Sensor Popcorn, Sensor Reheat, Sensor Cook, Defrost ou Reheat.

## Cuisson À Séquences Multiples

Votre micro-onde tiroir peut être programmé pour 4 séquences automatiques de cuisson, passant d'un réglage de puissance à l'autre automatiquement.

Parfois, les conseils de cuisson suggèrent de commencer à un certain niveau de puissance et de poursuivre à un autre niveau. Votre micro-onde tiroir peut le faire automatiquement.

1. Entrer d'abord le temps de cuisson. Puis appuyer sur la touche **POWER LEVEL** pour la cuisson à 100% ou appuyer de nouveau sur **POWER LEVEL** pour un niveau plus faible.
2. Entrer le second temps de cuisson. Appuyer répétitivement sur la touche **POWER LEVEL** jusqu'au niveau de puissance désiré. Vous pouvez faire cette marche à suivre jusqu'à 4 fois. **TOUCH** **START**.
3. Appuyer sur **START/EASY MINUTE**.

#### NOTA :

- **HIGH** sera affiché si on appuie une fois sur la touche **POWER LEVEL**.
- Si le niveau 100 % doit être utilisé au cours de la dernière séquence, il n'est pas nécessaire d'appuyer sur la touche **POWER LEVEL**.
- Si vous voulez savoir le niveau de puissance, appuyer simplement sur la touche **POWER LEVEL**. Aussi long temps que votre doigt appuie sur la touche **POWER LEVEL**, le niveau de puissance sera affiché.
- Keep Warm peut être programmé même si 4 séquences de cuisson ont été réglées.

## Help (Aide)

Il y a un conseil de cuisson pour chaque réglage de Sensor Reheat, Sensor Cook, Sensor Popcorn, Keep Warm, Reheat et Defrost. Si vous êtes intéressé, appuyer sur **SET UP/HELP** quand HELP est allumé sur l'afficheur interactif, pour lire les conseils de cuisson et ceux de fonctionnement des autres manuels.

## Easy Minute

Easy Minute vous permet de cuire pendant une minute à 100 % simplement en appuyant sur la touche **EASY MINUTE**. Vous pouvez aussi prolonger la durée de cuisson de multiples fois 1 minute en appuyant répétitivement sur **EASY MINUTE** en mode manuel de cuisson.

#### NOTA :

- Pour utiliser **EASY MINUTE**, appuyer sur la touche dans les trois minutes après la cuisson, en fermant la porte ou en appuyant sur la touche **STOP/CLEAR**.
- On ne peut pas utiliser Easy Minute avec Sensor, Reheat ou Defrost.

## Control Lock (Verrouillage Des Commandes)

Le verrouillage des commandes vise à empêcher l'utilisation du four comme par de jeunes enfants. Le micro-onde tiroir peut être réglé de telle sorte que le tableau de commande est inopérant ou verrouillé.

### POUR VERROUILLER

Appuyer sur **CONTROL LOCK** pendant 3 secondes.

**LOCK ON** s'affichera.

### POUR DÉVERROUILLER

Appuyer sur **CONTROL LOCK** pendant 3 secondes.

**LOCK OFF** s'affichera.

# Autres Caractéristiques

## Réglage De Durée En Plus Ou En Moins

Si vous trouvez que vous préférez les réglages de Sensor, Reheat or Defrost un peu plus forts, appuyer une fois sur la touche **POWER LEVEL** après avoir appuyé sur les touches de votre choix. **[MORE]** s'affichera.

Pour des réglages un peu moins forts, appuyer deux fois sur la touche **POWER LEVEL** après avoir appuyé sur les touches de votre choix. **[LESS]** s'affichera.

## Setup/Help (Réglages/Aide)

Si l'alimentation électrique de votre Microwave Drawer est coupée, **[ENJOY] [YOUR] [MICRO-] [WAVE] [TOUCH] [CLEAR] [AND] [TOUCH] [CLOCK]** s'affichera et clignotera dès que l'alimentation sera rétablie. Dans un tel cas, l'option **SETUP/HELP** que vous avez entrée sera effacée. Appuyer simplement sur la touche **STOP/CLEAR** et remettre à zéro.

### SUPPRESSION DU SIGNAL SONORE

À la fin d'une durée de cuisson, un bip résonnera Si vous désirez que votre appareil n'émette pas de signal sonore, vous pouvez le désactiver.

#### POUR DÉSACTIVER LE SIGNAL SONORE

1. Appuyer sur **SETUP/HELP**. **[TOUCH] [AGAIN]**
2. Appuyer à nouveau sur **SETUP/HELP**. **[SOUND] [OFF ?] [TOUCH] [START]**
3. Appuyer sur **START/EASY MINUTE**. **[SOUND] [OFF]** s'affichera.

#### POUR RÉACTIVER LE SON

1. Appuyer sur **SETUP/HELP**. **[TOUCH] [AGAIN]**
2. Appuyer à nouveau sur **SETUP/HELP**. **[SOUND] [ON ?] [TOUCH] [START]**
3. Appuyer sur **START/EASY MINUTE**. **[SOUND] [ON]** s'affichera.

### RAPPEL DE FIN DE CUISSON

À la fin d'une cuisson, le micro-onde signalera toutes les 10 secondes pendant une minutes et ensuite toutes les 3 minutes pendant une heure, jusqu'à ce qu'on appuie sur **STOP/CLEAR**.

#### POUR DÉSACTIVER LE RAPPEL

1. Appuyer trois fois sur **SETUP/HELP**. **[REMIND] [SIGNAL] [OFF ?] [TOUCH] [START]** s'affichera.
2. Appuyer sur **START/EASY MINUTE**. **[REMIND] [SIGNAL] [OFF]** s'affichera.

#### POUR RÉACTIVER LE RAPPEL

1. Appuyer trois fois sur **SETUP/HELP**. **[REMIND] [SIGNAL] [ON ?] [TOUCH] [START]** s'affichera.
2. Appuyer sur **START/EASY MINUTE**. **[REMIND] [SIGNAL] [ON]** s'affichera.

### AUTO DÉMARRAGE

Si vous voulez programmer le micro-onde tiroir pour commencer à cuire automatiquement à une heure donnée, prendre cette marche à suivre.

1. Appuyer 4 fois sur **SETUP/HELP**. **[AUTO] [START] [TOUCH] [START]** s'affichera.
2. Appuyer sur **START/EASY MINUTE**. **[ENTER] [START] [TIME]**
3. Entrer l'heure de démarrage. **[4:30] [TOUCH] [CLOCK]**
4. Appuyer sur la touche **TIMER/CLOCK**. **[ENTER] [COOKING] [TIME]**
5. Appuyer sur les chiffres pour entrer la durée de cuisson. **[20.00] [TOUCH] [START] [OR] [TOUCH] [POWER] [LEVEL]**. Appuyer sur **POWER LEVEL** répétitivement jusqu'au niveau de puissance désiré. **[TOUCH] [START]**
6. Appuyer sur **START/EASY MINUTE**.

### MODE DE DÉMONSTRATION

#### POUR CHOISIR LE MODE DÉMO

1. Appuyer 5 fois sur **SETUP/HELP**. **[DEMO ON?] [HOLD] [START] [3 SEC]** s'affichera.
2. Appuyer sur **START/EASY MINUTE**. **[DEMO ON]** s'affichera.

#### POUR ANNULER LE MODE DÉMO

1. Appuyer 5 fois sur **SETUP/HELP**. **[DEMO] [OFF ?] [TOUCH] [START]** s'affichera.
2. Appuyer sur **START/EASY MINUTE** pendant 3 secondes. **[DEMO] [OFF]** s'affichera.

#### NOTA :

- Le micro-onde tiroir ne chauffe pas en mode démo.
- Le compte à rebours s'affiche rapidement.



# Nettoyage et Entretien

## Extérieur

La surface extérieure est en métal peint et en plastique. Nettoyer la surface extérieure à l'eau et au savon doux; rincer et sécher au moyen d'un chiffon doux. Ne pas utiliser de produits de nettoyage ménagers ou abrasifs.

## Surface D'acier Inox

### (Modèles Choisis)

Il faut essuyer souvent l'extérieur avec un chiffon doux humide et le frotter avec un chiffon doux sec pour lui garder son lustre. Toujours essuyer dans le sens du grain. Il existe aussi de nombreux produits conçus spécialement pour nettoyer et faire briller l'extérieur en inox du four. Nous recommandons d'appliquer le nettoyant sur un chiffon doux et de s'en servir ensuite sur l'inox plutôt que de le vaporiser directement dessus. Suivre à la lettre les instructions de l'emballage.

## Avant Du Tiroir

Essuyer les deux surfaces du hublot à l'aide d'un chiffon humide pour enlever les éclaboussures. Il est plus facile de nettoyer les parties métalliques si on les essuie fréquemment avec un chiffon humide. Éviter tout emploi de produits nettoyants vaporisés ou abrasifs car ils peuvent tacher, strier ou ternir la surface de la porte.

## Tableau De Commandes

Si désiré, les touches peuvent être désactivées avant le nettoyage. Voir les renseignements sur le verrouillage des commandes à la page 16 de ce manuel. Essuyer le tableau de commande avec un chiffon humecté d'eau. Sécher avec un chiffon doux. N'utiliser ni poudre à récurer ni produits chimiques de nettoyage. Refermer la porte et suivre les instructions de la page 16 pour déverrouiller les commandes. Appuyer sur **STOP/CLEAR**.

## Intérieur

Le nettoyage est facile car les parois intérieures n'absorbent pas de chaleur de telle sorte que les éclaboussures ne cuisent pas. Pour nettoyer les parois intérieures, y compris les surfaces d'étanchéité du tiroir, essuyer avec un chiffon doux humide. **NE PAS UTILISER DE PRODUITS ABRASIFS OU DE TAMPONS À RÉCURER.** Pour les taches tenaces, utiliser du savon doux et nettoyer avec un chiffon doux humide. Ne pas utiliser de nettoyants chimiques pour les fours.

## Glissières Du Micro-onde Tiroir

Nettoyer les glissières du tiroir des miettes de nourriture. Les essuyer avec un chiffon doux et sec pour que le tiroir s'ouvre et se ferme en douceur.

## Couvercle Du Guide D'ondes

**ATTENTION** Tenir propre le couvercle du guide d'ondes pour assurer un bon fonctionnement du four. Essuyer immédiatement et délicatement avec un chiffon humide toute éclaboussure d'aliments sur la surface du couvercle. Une accumulation d'éclaboussures peut surchauffer et causer de la fumée ou même s'enflammer. Ne pas retirer le couvercle du guide d'ondes.

## Désodorisation

Il peut arriver qu'une odeur de cuisson persiste dans le tiroir. Pour l'éliminer, mettre dans un récipient pouvant contenir 2 tasses, 1 tasse d'eau, le zeste et le jus d'un citron, et plusieurs clous de girofle entiers. Faire bouillir pendant plusieurs minutes à 100 %. Laisser reposer dans le micro-onde tiroir jusqu'à ce qu'il soit froid. Essuyer l'intérieur avec un chiffon doux.

# Avant d'appeler pour une Réparation

Vérifier ce qui suit avant de faire appel à un réparateur. Vous pourriez sauver du temps et de l'argent.

PROBLÈME	CAUSE POSSIBLE	SOLUTION
1. Une pièce ou tout le Microwave In-A-Drawer™ ne fonctionne pas.	<ul style="list-style-type: none"><li>• Le cordon du Microwave In-A-Drawer™ n'est pas complètement branché à la prise.</li><li>• Coupure de courant.</li><li>• Le fusible ou le disjoncteur de la maison ne fonctionne pas.</li><li>• Le Microwave In-A-Drawer™ est en mode démo.</li></ul>	<ul style="list-style-type: none"><li>• Vérifier que le cordon est bien branché dans la prise.</li><li>• Vérifier les lumières de la maison pour vous en assurer. Appeler la compagnie d'électricité.</li><li>• Remplacer le fusible ou réenclencher le disjoncteur.</li><li>• Voir page 17 comment annuler le mode Démo.</li></ul>
2. Le micro-onde ne chauffe pas les aliments.	<ul style="list-style-type: none"><li>• Pas de courant à l'appareil.</li><li>• Les commandes du tiroir sont mal réglées.</li><li>• Le Microwave In-A-Drawer™ est en mode démo.</li></ul>	<ul style="list-style-type: none"><li>• Voir la SOLUTION pour le PROBLÈME 1.</li><li>• Vérifier les réglages de commandes</li><li>• Voir page 17.</li></ul>
3. La lumière du Microwave In-A-Drawer™ ne fonctionne pas.	<ul style="list-style-type: none"><li>• L'ampoule est desserrée ou brûlée.</li></ul>	<ul style="list-style-type: none"><li>• Appeler un réparateur.</li></ul>
4. Les touches de commande ne fonctionnent pas.	<ul style="list-style-type: none"><li>• Les commandes sont verrouillées.</li></ul>	<ul style="list-style-type: none"><li>• Voir page 16 pour déverrouiller.</li></ul>
5. L'afficheur clignote.	<ul style="list-style-type: none"><li>• Panne de courant.</li></ul>	<ul style="list-style-type: none"><li>• Appuyer sur <b>STOP/CLEAR</b> et remettre l'horloge à l'heure. Si le Microwave In-A-Drawer™ était en marche, vous devez redémarrer la fonction de cuisson.</li></ul>
6. Vapeur sortant de l'évent	<ul style="list-style-type: none"><li>• Pendant la cuisson aux micro-ondes, de la vapeur peut s'échapper par le côté droit de l'évent.</li></ul>	

# Guide des Touches Automatiques

## Microwave In-A-Drawer™

### RÉGLER L'HORLOGE

1. Appuyer sur la touche **TIMER/CLOCK** et sur **2**.
2. Appuyer sur les chiffres pour corriger l'heure du jour et appuyer de nouveau sur **TIMER/CLOCK**.

En cas d'une interruption du courant de votre four, l'écran affichera de façon intermittente:



### TEMPS DE CUISSON

#### Cuisson à haute puissance

1. Entrer la durée de cuisson en appuyant sur les chiffres. (Ex: 5 minutes) **5 0 0**.  
5.00 TOUCH  
START OR  
TOUCH POWER  
LEVEL
2. Appuyer sur **START/EASY MINUTE**.

#### Cuisson à puissance variable

1. Après l'étape 1 ci-dessus, appuyer sur **POWER LEVEL** jusqu'à ce que le niveau de puissance désiré s'affiche.
2. Appuyer sur **START/EASY MINUTE**.

### SENSOR COOK

La cuisson au capteur calcule automatiquement la bonne durée et le bon niveau de puissance pour cuire parfaitement les aliments inscrits sur l'aide-mémoire.

1. Appuyer une fois sur la touche **SENSOR COOK**.  
SEE SELECT  
FOOD LABEL  
NUMBER
2. Voir l'aide-mémoire. Choisir un aliment en appuyant sur un chiffre. Ex : Appuyer **5** fois pour des pommes terre au four.
3. Appuyer sur **START/EASY MINUTE**.

### SENSOR POPCORN/SENSOR REHEAT

Appuyer sur **SENSOR REHEAT** ou **SENSOR POPCORN** puis sur la touche **START/EASY MINUTE**.

#### REHEAT

Reheat calculera automatiquement le temps de réchauffage approprié et la puissance du four à micro-ondes pour les aliments inscrits à l'aide-mémoire.

1. Appuyer une fois sur la touche **REHEAT**.  
SEE LABEL  
SELECT FOOD  
NUMBER
2. Voir l'aide-mémoire. Choisir l'aliment désiré en appuyant sur un chiffre. Ex : Appuyer sur **2** pour des petits pains ou des muffins congelés.  
FROZEN ROLLS  
MUFFINS ENTER  
NUMBER
3. Appuyer sur un chiffre pour choisir la quantité. Ex : Appuyer sur **2** pour 2 pains ou muffins.  
2 PCS
4. Appuyer sur **START/EASY MINUTE**.

#### DEFROST

Utiliser cette caractéristique pour décongeler les aliments inscrits à l'aide-mémoire.

1. Appuyer sur la touche **DEFROST**.  
SEE LABEL  
SELECT FOOD  
NUMBER
2. Voir l'aide-mémoire. Choisir l'aliment désiré en appuyant sur un chiffre. Ex : Appuyer sur **2** pour les biftecks ou les côtelettes.  
STEAKS CHOPS  
ENTER WEIGHT
3. Entrer le poids en appuyant sur les chiffres. **1 0**.  
1.0 LB
4. Appuyer sur **START/EASY MINUTE**.
5. Le micro-onde s'arrêtera pour permettre de tourner, masquer et/ou retirer les aliments. Fermer le tiroir. Appuyer sur. Appuyer sur **START/EASY MINUTE**.

# Guide des Touches Automatiques

## KEEP WARM

Keep Warm vous permet de garder les aliments au chaud pendant 30 minutes.

### Usage direct


1. Appuyer sur la touche **KEEP WARM.**  

2. Entrer la durée désirée en appuyant sur les chiffres. Pour entrer 30 minutes appuyer sur   
**3 0 0 0.**
3. Appuyer sur **START/EASY MINUTE.**

### Avec cuisson en mode manuel

1. Entrer le temps de cuisson et le niveau de puissance.
2. Appuyer sur la touche **KEEP WARM.**
3. Entrer la durée de réchauffage désirée jusqu'à 30 minutes.
4. Appuyer sur **START/EASY MINUTE.**

## TIMER

1. Appuyer sur la touche **TIMER/CLOCK** et sur .
2. Entrer l'heure.
3. Appuyer à nouveau sur la touche **TIMER/CLOCK.**  
Pour annuler la minuterie appuyer sur **STOP/CLEAR.**

## EASY MINUTE

Appuyer sur **START/EASY MINUTE** pendant une minute à 100% de puissance ou pour ajouter une minute pendant la cuisson en mode manuel. Continuer à appuyer pour des minutes supplémentaires.

## Autres Caractéristiques


### CONTROL LOCK

Le verrouillage des commandes vise à empêcher l'utilisation non désirée du four comme par de jeunes enfants. Le Microwave In-A-Drawer™ peut être réglé de telle sorte que le tableau de commande est inopérant ou verrouillé.

#### Pour verrouiller

Appuyer sur **CONTROL LOCK** pendant 3 secondes. 

#### To Unlock

Appuyer sur **CONTROL LOCK** pendant 3 secondes. 

### AIDE

Reportez-vous au mode d'emploi pour les détails spécifiques.

Appuyer sur **SETUP/HELP.**

- 2 fois pour Suppression du Signal Sonore.
- 3 fois pour Rappel de Fin de Cuisson.
- 4 fois pour Auto Démarrage.
- 5 fois pour Mode De Démonstration.

# Garantie du Produit

---

## Ce Qui Est Couvert

---

CERTIFICAT DE GARANTIE

Microwave In-A-Drawer™ DACOR

**DANS LES CINQUANTE ÉTATS DES É.-U., LE DISTRICT DE COLUMBIA ET AU CANADA\* :**

**GARANTIE COMPLÈTE DE 2 ANS**

Si, en raison de défaut matériel ou vice de fabrication, votre produit Modernist DACOR occasionnelles dans les 2 ans de la date d'achat, DACOR va remédier à l'irrégularité, sans frais pour vous ou les utilisateurs. Le propriétaire doit fournir une preuve d'achat sur demande et l'appareil accessible pour l'entretien.

\* La garantie est nulle et non avenue si un produit non approuvé CSA est transporté des É.-U.

**HORS DES CINQUANTE ÉTATS DES É.-U., LE DISTRICT DE COLUMBIA ET AU CANADA :**

**GARANTIE LIMITÉE À LA PREMIÈRE ANNÉE**

Si, en raison de défaut matériel ou vice de fabrication, votre produit fonctionne mal Modernist DACOR dans l'année de la date d'achat, DACOR fournisse une nouvelle partie, FAB usine, pour remplacer la pièce défectueuse. L'ensemble de livraison, d'installation, et les coûts du travail sont de la responsabilité du propriétaire, qui doit fournir une preuve d'achat sur demande et l'appareil accessible pour l'entretien.

---

## Ce Qui N'est Pas Couvert

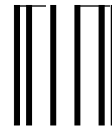
---

- Une panne du produit causée par une mauvaise installation, un usage inadéquat, ou un manque de l'entretien requis.
- Les appels de service pour former le client aux bons usage et entretien du produit.
- Une panne du produit s'il est utilisé pour le commerce, les affaires ou la location ou pour tout autre application que pour l'usage résidentiel du client.
- Le remplacement des fusibles ou des boîtes de fusibles de la maison ou le réenclenchement des disjoncteurs.
- Les dommages au produit causés par accident, incendie, inondation ou autres actes de Dieu.
- Le bris, la décoloration ou les dommages au verre, aux surfaces métalliques, aux composantes plastiques, aux garnitures, à la peinture, la porcelaine ou autre fini esthétique, causés par un usage ou un entretien inadéquats, un abus ou par négligence.

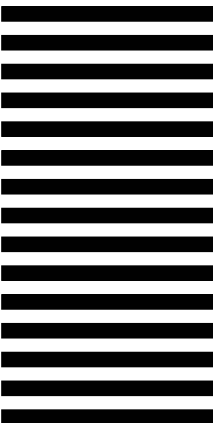
**LES RECOURS OFFERTS DANS LES GARANTIES EXPRESSES CI-DESSUS SONT LES RECOURS UNIQUES ET EXCLUSIFS; PAR CONSÉQUENT AUCUNE AUTRE GARANTIE EXPRESSE N'EST OFFERTE, ET HORS DES CINQUANTE ÉTATS DES É.-U., LE DISTRICT DE COLUMBIA ET AU CANADA, AUCUNE GARANTIE IMPLICITE, Y COMPRIS MAIS SANS Y ÊTRE LIMITÉE, TOUTE GARANTIE IMPLICITE DE QUALITÉ MARCHANDE ET D'ADAPTATION À UN USAGE PARTICULIER POUR UN ACHAT. EN AUCUN CAS, DACOR NE SERA TENU RESPONSABLE POUR DES FRAIS ACCESSOIRES OU DES DOMMAGES INDIRECTS. AUCUNE GARANTIE N'EST OFFERTE, EXPRESSE OU IMPLICITE À UN ACHETEUR POUR LA REVENTE.**

Certains états ou provinces n'autorisent pas de restriction à la durée d'une garantie implicite ni l'exclusion ou la restriction de dommages accessoires ou indirects; les restrictions ou exclusions pourraient donc ne pas s'appliquer à vous. Cette garantie vous donne des droits particuliers et vous pourriez également avoir d'autres droits qui varient selon les états et provinces.

fold here



NO POSTAGE  
NECESSARY  
IF MAILED  
IN THE  
UNITED STATES



**BUSINESS REPLY MAIL**  
FIRST-CLASS MAIL PERMIT NO 1600 CITY OF INDUSTRY CA

POSTAGE WILL BE PAID BY ADDRESSEE

**DACOR  
ATTN WARRANTY PROCESSING DEPT  
PO BOX 90070  
CITY OF INDUSTRY CA 91715-9907**





Please visit [www.Dacor.com](http://www.Dacor.com) to activate your warranty online.

# WARRANTY INFORMATION



### IMPORTANT:

Your warranty will not be activated until you activate it online or return this form to Dacor. If you have purchased more than one Dacor product, please return all forms in one envelope or activate the warranty for each product online.

Please rest assured that under no conditions will Dacor sell your name or any of the information on this form for mailing list purposes. We are very grateful that you have chosen Dacor products for your home and do not consider the sale of such information to be a proper way of expressing our gratitude!

Owner's Name: \_\_\_\_\_  
Last (Please Print or Type) First Middle

Street: \_\_\_\_\_

City: \_\_\_\_\_ State: \_\_\_\_\_ Zip: \_\_\_\_\_

Purchase Date: \_\_\_\_\_ Email: \_\_\_\_\_ Telephone: \_\_\_\_\_

Dealer: \_\_\_\_\_

City: \_\_\_\_\_ State: \_\_\_\_\_ Zip: \_\_\_\_\_

Your willingness to take a few seconds to fill in the section below will be sincerely appreciated. Thank you.

1. How were you **first** exposed to Dacor products? (Please check one only.)

- A. T.V. Cooking Show
- B. Magazine
- C. Appliance Dealer Showroom
- D. Kitchen Dealer Showroom
- E. Home Show
- F. Builder
- G. Architect/Designer
- H. Another Dacor Owner
- I. Model Home
- J. Other \_\_\_\_\_

2. Where did you buy your Dacor appliances?

- A. Appliance Dealer
- B. Kitchen Dealer
- C. Builder Supplier
- D. Builder
- E. Other \_\_\_\_\_

3. For what purpose was the product purchased?

- A. Replacement **only**
- B. Part of a Remodel
- C. New Home
- D. Other \_\_\_\_\_

4. What is your household income?

- A. Under \$75,000
- B. \$75,000 – \$100,000
- C. \$100,000 – \$150,000
- D. \$150,000 – \$200,000
- E. \$200,000 – \$250,000
- F. Over \$250,000

5. What other brands of appliances do you have in your kitchen?

- A. Cooktop \_\_\_\_\_
- B. Oven \_\_\_\_\_
- C. Dishwasher \_\_\_\_\_
- D. Refrigerator \_\_\_\_\_

6. Would you buy or recommend another Dacor product?

- Yes
- No

Comments: \_\_\_\_\_

Thank you very much for your assistance. The information you have provided will be extremely valuable in helping us plan for the future and giving you the support you deserve.

