

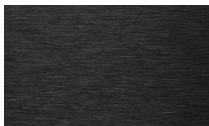
PARAMOUNT DESIGNER RANGE SERIES (SGRBS)

48 in. 6.7 cu. ft. Double Oven Dual Fuel Range with 8 Burner Cooktop

ZLINE
ATTAINABLE LUXURY®

SGRBSZ-48-MBCB

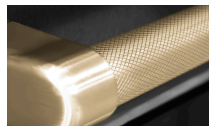
Black Satin Stainless Steel



Black Satin Stainless Steel Range Base Finish



Champagne Bronze Knob Rings and Matte Black Knobs



Champagne Bronze Helix Handles

FEATURES AND BENEFITS

Italian-Made Auto Re-ignition Burners: 8 Italian-made gas burners utilize automatic re-ignition innovation for improved temperature control and cooktop safety.

Horizon Oven Windows: Keep a watchful eye on your baking dishes through ZLINE's Horizon oven door design that features 2 large viewing windows.

Stainless Steel Oven Burners: Tubular bake and broil burners are designed for optimal gas combustion that allows for even heat distribution for an ideal baking experience.

Dual Function Burners: 2 Dual Function Burners allow you to simmer at 800 BTU or perfectly sear at 20,000 BTU.

Convection Gas Oven: The larger oven features bake, broil, and convection modes with a BTU output of 22,000, while the smaller oven has a baking BTU output of 14,000.

Large Oven Capacity: An expansive oven capacity of 6.7 cu. ft. fits pans up to 20 in. wide in the larger oven and 10 in. wide in the smaller oven for maximum space and convenience.

Premium Oven Insulation: A 3-layered glass door on both ovens with large viewing windows and aluminum mesh seals offer superior heat retention and consistent temperatures.

Smooth Glide Ball-Bearing Oven Racks: 4 durable ball bearing racks, 2 inside each oven, provide extra convenience and ease when working with larger dishes.

LP Conversion Kit: Comes equipped with an LP conversion kit to convert from natural gas to liquid propane (must be done by a professional), offering versatility with your cooking preference.

GENERAL PROPERTIES

SKUs	SGRBSZ-48-MBCB
Base Finish	Black Satin Stainless Steel
Accent Finish	Matte Black and Champagne Bronze
Fuel Type	Gas (Propane or Natural Gas)
Burners	8 Brass Burners
Mount Type	Free Standing
Timer	No
Material	430 Grade Stainless Steel
Grates	Modern
Certification	ETL Certified

DIMENSIONS AND WEIGHT

Product Dimensions	47 7/8" W x 27 3/4" D x 36" H
Cutout Dimensions	48 1/8" W x 24 3/4" D x 36" H
Product Weight	396.70 lb (179.95 kg)

COOKTOP FEATURES

Cooktop	Porcelain With Electronic Spark Ignition For All Burners
---------	--

COOKTOP BTU (Electronic Ignition and Auto Re-ignition)

Back Left (Semi-Rapid)	9,000 BTU
Back Right (Rapid)	12,000 BTU
Back Right Middle (Semi-Rapid)	9,000 BTU
Back Left Middle (Rapid)	12,000 BTU
Front Left (Auxiliary)	6,000 BTU
Front Left Middle (Dual)	20,000 BTU
Front Right (Dual)	20,000 BTU
Front Right Middle (Auxiliary)	6,000 BTU

OVEN FEATURES

(Lg) Interior Dimensions	24 7/8" W x 17 3/4" D x 16" H
(Sm) Interior Dimensions	13 3/8" W x 17 3/4" D x 16" H
Self-Clean	No
Oven Lighting	(3) Halogen
Oven Features	Bake, Broil, Convection Bake
Convection Fan	Yes (Large Oven Only)
Number of Racks	4
Child Lock	No

OVEN BTU

(Lg) Broil BTU	10,000 BTU
(Lg) Bake BTU	22,000 BTU
(Sm) Oven Bake BTU	14,000 BTU

ELECTRICAL REQUIREMENTS

120 V / 60 Hz / 15 A Dedicated Circuit

WARRANTY

Manufacturing Warranty: 1-year parts and labor.

Italian Burners and Spark Tips: Limited Lifetime Warranty.

Limited Lifetime includes: parts replacements for burners, burner caps, and parts and labor for the spark tip if parts prove to be defective in materials or workmanship.

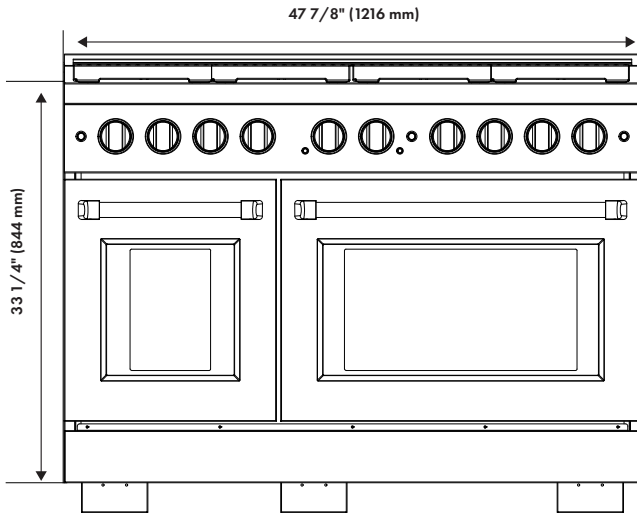
**Appliance protection plans sold separately, contact for more information.*

PARAMOUNT DESIGNER RANGE SERIES (SGRBS)

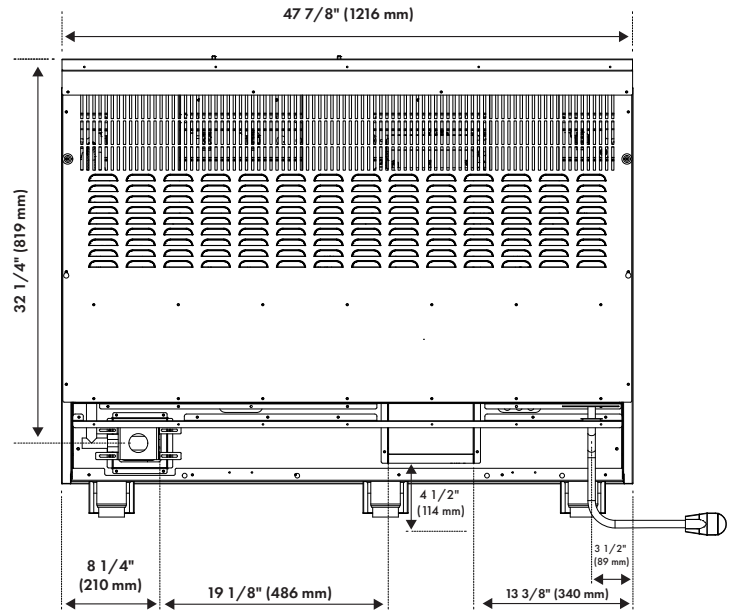
48 in. 6.7 cu. ft. Double Oven Dual Fuel Range with 8 Burner Cooktop

ZLINE
ATTAINABLE LUXURY®

FRONT VIEW



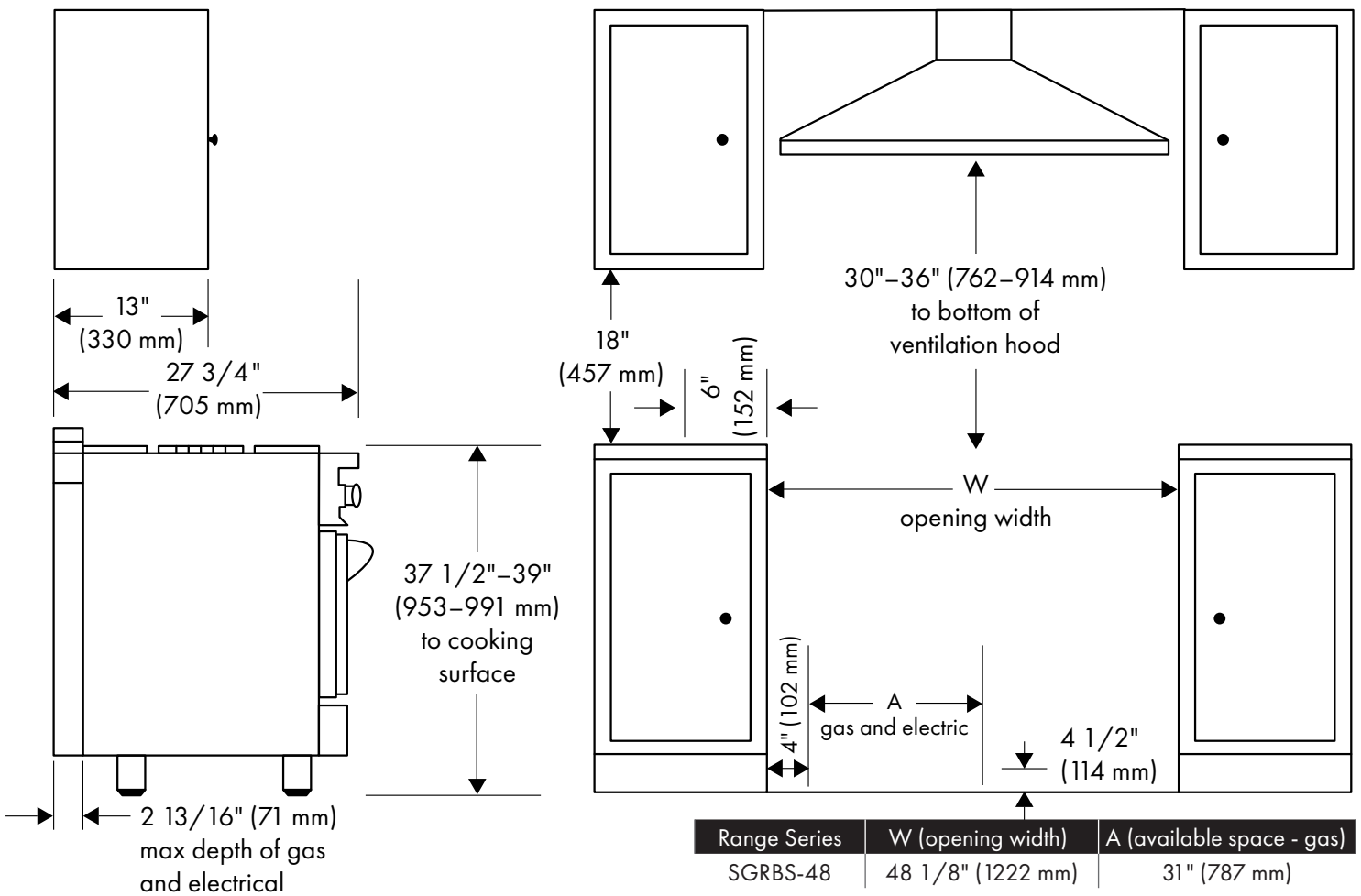
BACK VIEW



INSTALLATION RESOURCES

Installation / User Manual

[Click Here](#)

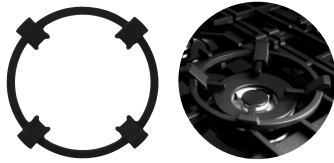


Range Series	W (opening width)	A (available space - gas)
SGRBS-48	48 1/8" (1222 mm)	31" (787 mm)

ZLINE KITCHEN ACCESSORIES

Range + Kitchen Compatible Accessories

ZLINE
ATTAINABLE LUXURY®



Cooktop Wok Ring | RA-005A



Cleaner/Polish | STCLT-8



Reversible Cast Iron Griddle | SR-GRNS



German Steel
15 Piece Knife Set | KSETT-GS-15



German Steel
3 Piece Knife Set | KSETT-GS-3



Japanese Damascus
3 Piece Knife Set | KSETT-JD-3



10-Piece
Stainless Steel
Cookware Set | CWSETL-ST-10



10-Piece Stainless
Steel and Ceramic
Cookware Set | CWSETL-NS-10



5-Piece Black
Matte Enameled
Cast Iron Set | CWSETS-BLM-5



5-Piece White
Matte Enameled
Cast Iron Set | CWSETS-WM-5

CONTACT INFORMATION



PHONE

Customer Service
1-614-777-5004

Dealer Assistance
1-833-597-2461



HOURS OF OPERATION

Customer Service
Monday–Friday 6:00am–4:30pm CST

Dealer Assistance
Monday–Friday 7:00am–4:00pm CST



EMAIL

Customer Service
contact@zlinekitchen.com

Dealer Assistance
dealer@zlinekitchen.com