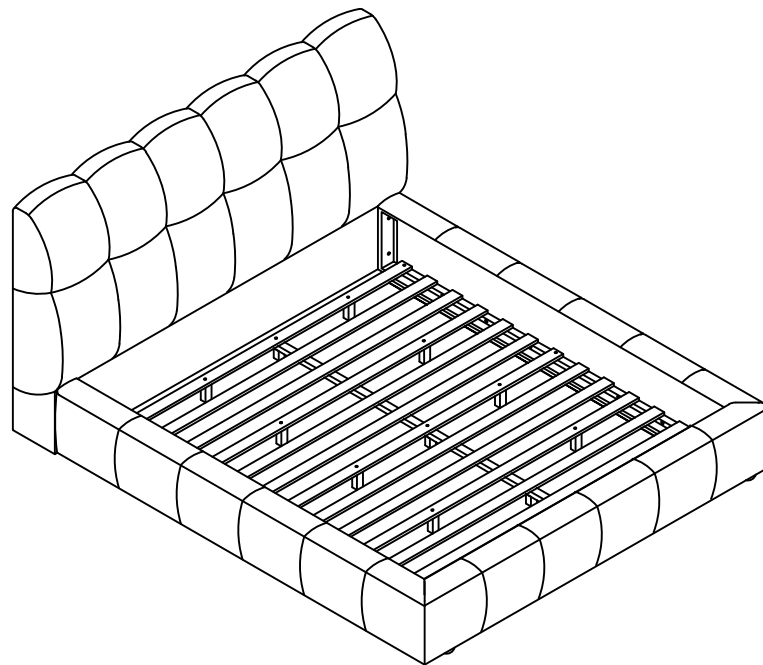


**ASSEMBLY INSTRUCTIONS**  
**COASTER FINE FURNITURE**



*Fine Furniture for every stage of life*

**315917GRYKW(B1 & B2)**  
***California King Bed***

# ITEM: 315917GRYKW(B1&B2)



## ASSEMBLY INSTRUCTIONS

### ASSEMBLY TIPS:

1. Remove hardware from box and sort by size.
2. Please check to see that all hardware and parts are present prior to start of assembly.
3. Please follow attached instructions in the same sequence as numbered to assure fast & easy assembly.



### WARNING!

1. Don't attempt to repair or modify parts that are broken or defective. Please contact the store immediately.
2. This product is for home use only and not intended for commercial establishments.



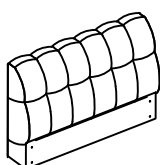
ASSEMBLY TIME

15 MINUTES

## PARTS IDENTIFICATION

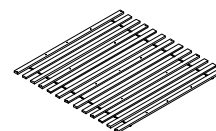
### B1 (BOX 1)

A HEADBOARD



1PC

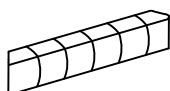
B ROLL SLAT (13PCS)



1SET

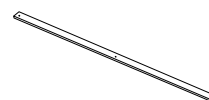
### B2 (BOX 2)

C FOOTBOARD



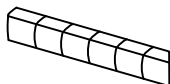
1PC

F CENTER RAIL



1PC

D LEFT BED RAIL



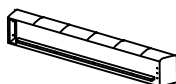
1PC

G CENTER RAIL SUPPORT WITH LEVELER



3PCS

E RIGHT BED RAIL



1PC

H BED SLAT SUPPORT WITH LEVELER



10PCS

## HARDWARE IDENTIFICATION

### Z-B2(BOX 2) - HARDWARE PACK IS LOCATED IN 315917GRYKW(B2)

1 THREADED BOLT  
(Ø 5/16" x 90mm - BLK)



4PCS

6 ALLEN WRENCH  
(M5 x 75mm x 32mm)



1PC

2 BOLT  
(Ø 5/16" x 38mm - BLK)



12PCS

7 WRENCH  
(14mm - BLK)



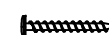
1PC

3 HEX NUT  
(Ø 5/16" - BLK)



4PCS

8 FLAT HEAD SCREW  
(M4 x 30mm - BLK)



9PCS

4 LOCK WASHER  
(5/16" x 6.5mm - BLK)



16PCS

9 METAL CLEAT  
(150 x 45 x 45 x 3mm - BLK)



2PCS

5 FLAT WASHER  
(5/16" x 19mm - BLK)



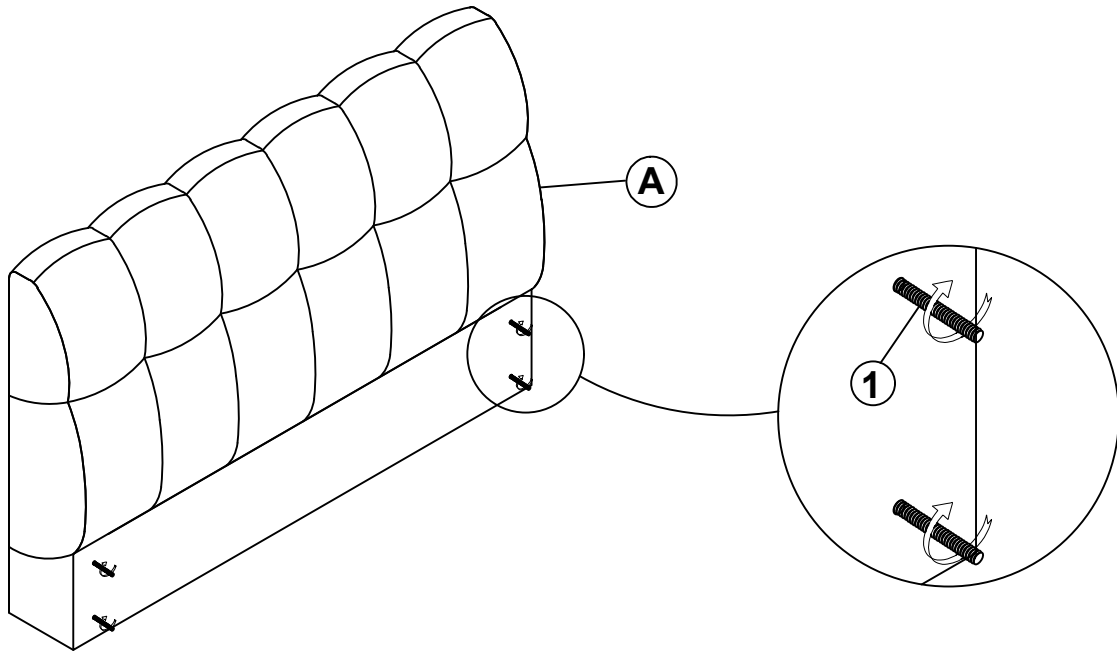
16PCS

ITEM: **315917GRYKW(B1&B2)**

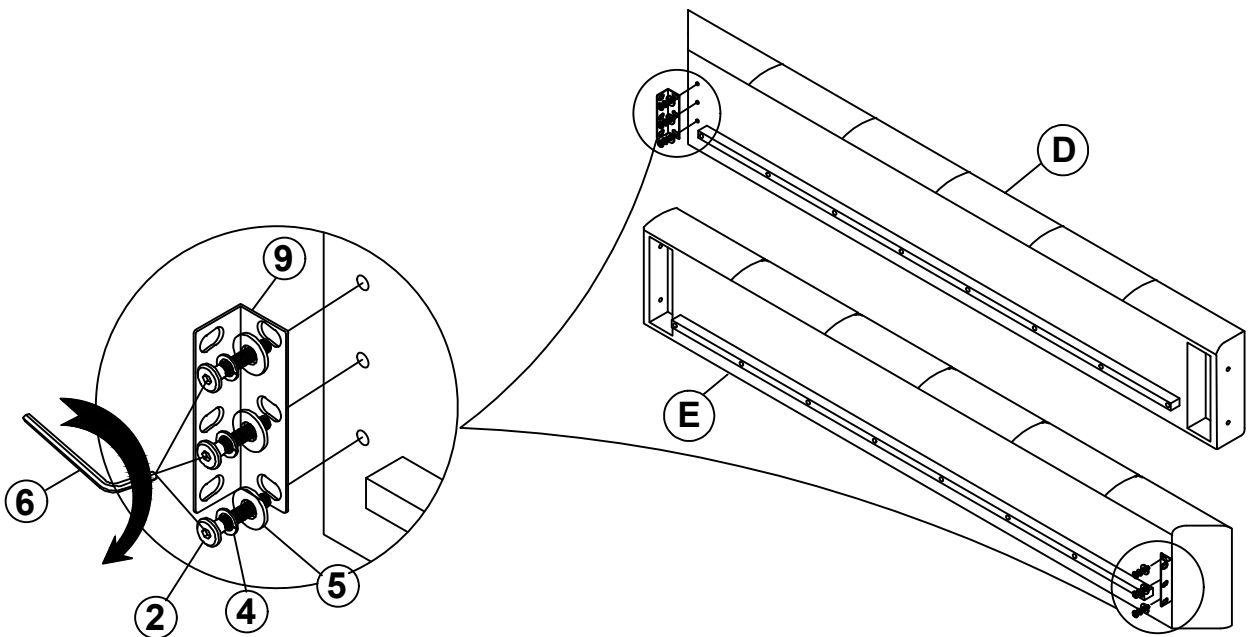


**ASSEMBLY INSTRUCTIONS**

**STEP 1**



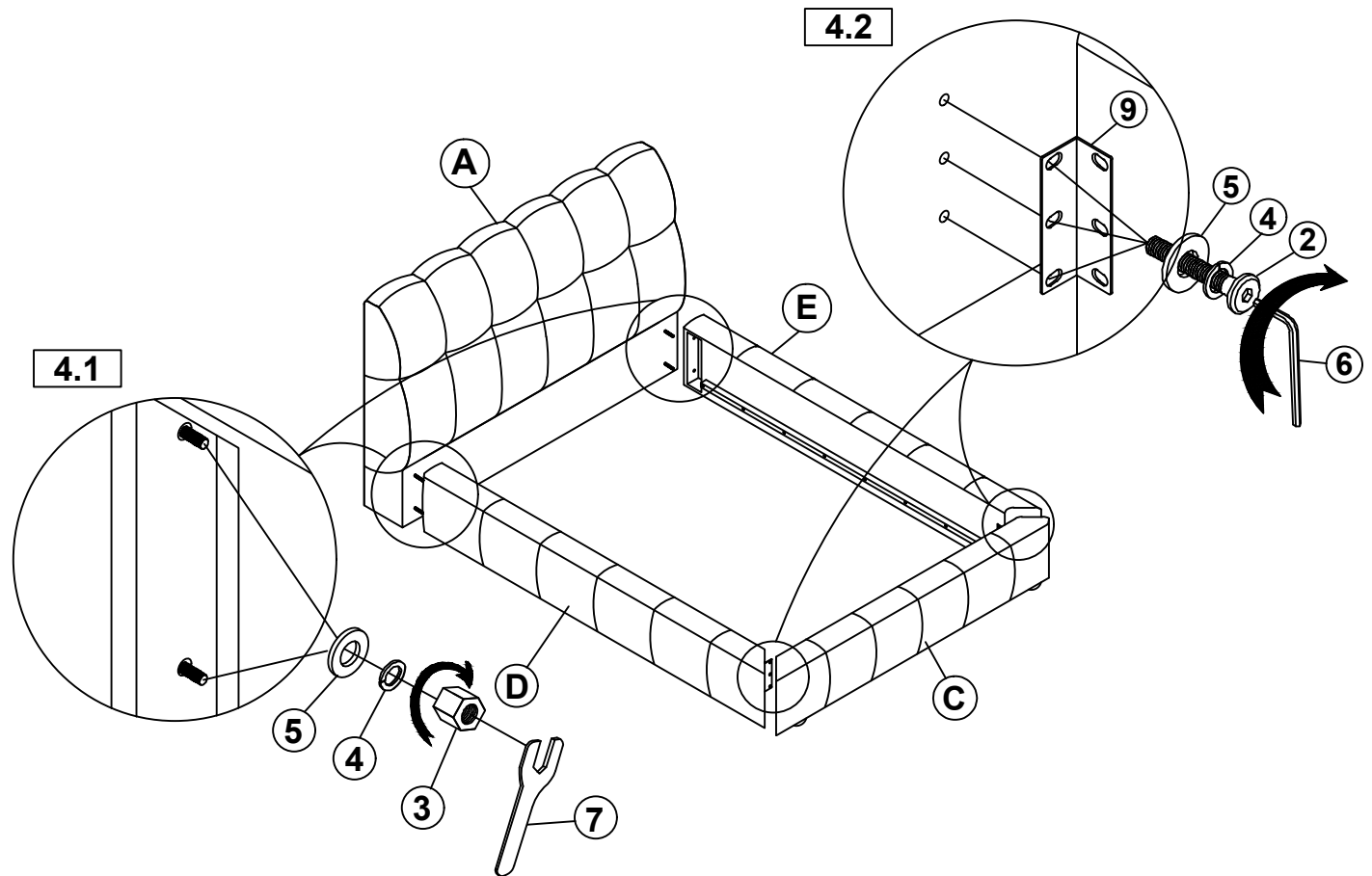
**STEP 2**



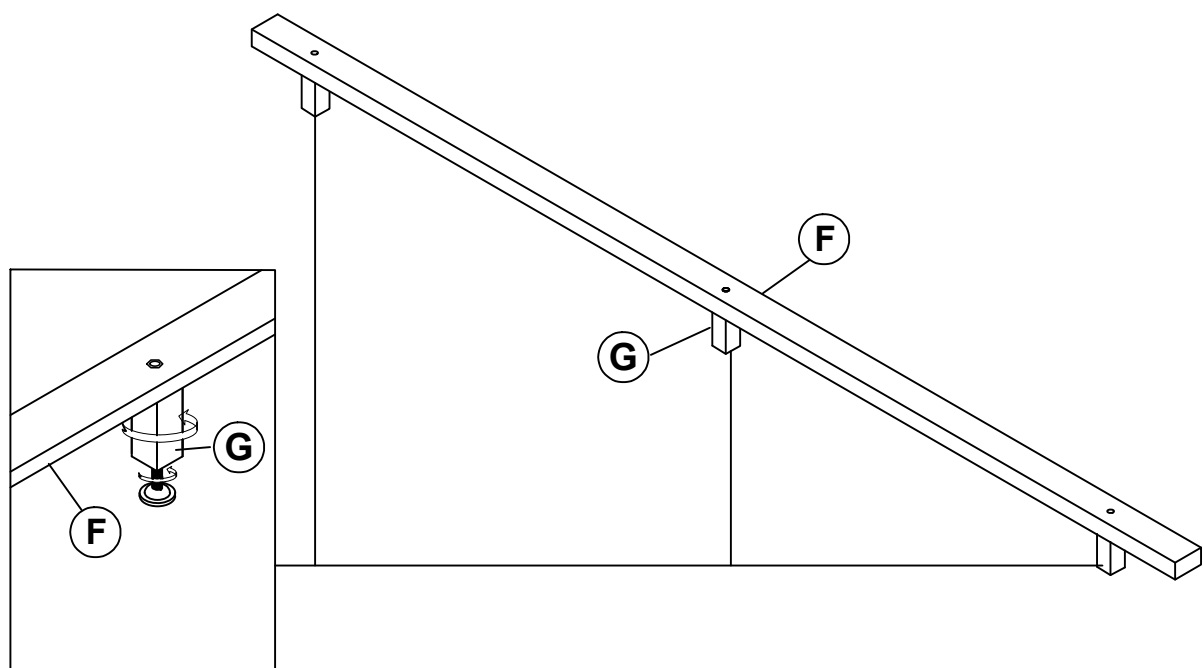
# ITEM: 315917GRYKW(B1&B2)

## ASSEMBLY INSTRUCTIONS

### STEP 3



### STEP 4

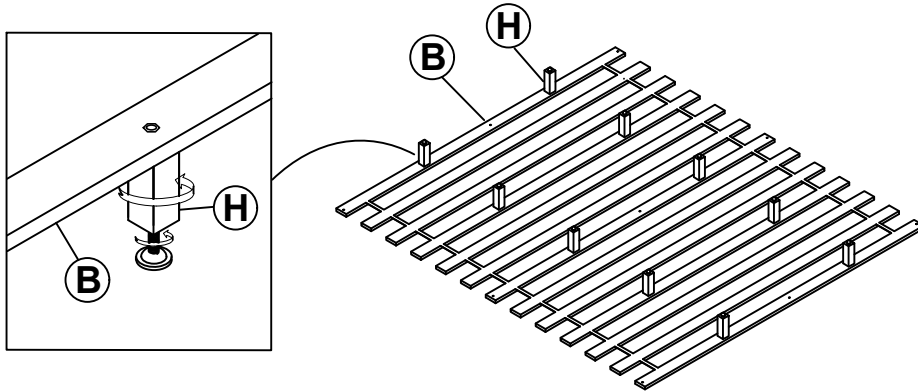


# ITEM: 315917GRYKW(B1&B2)

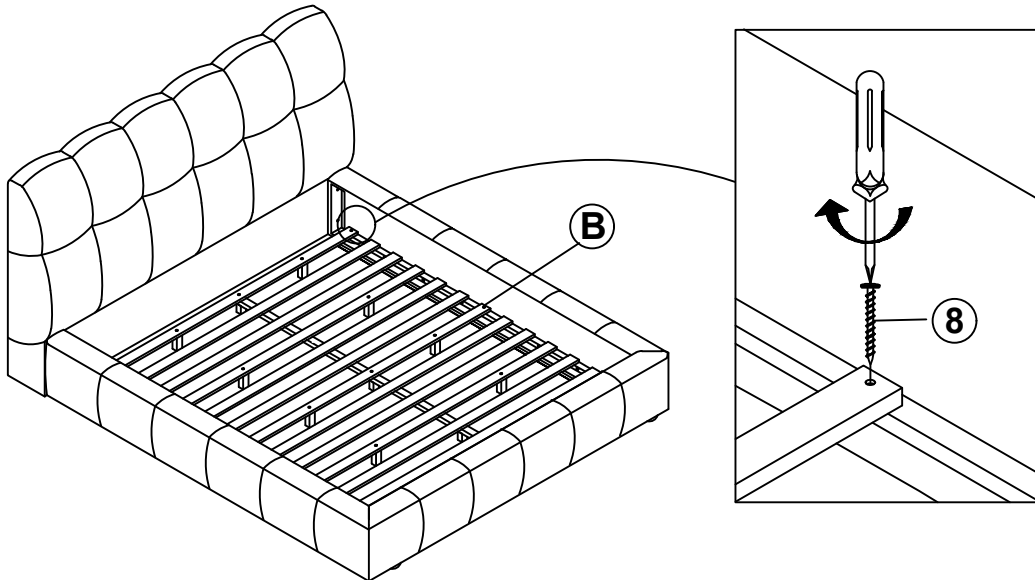


## ASSEMBLY INSTRUCTIONS

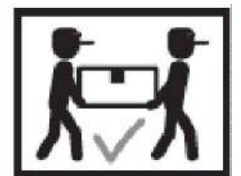
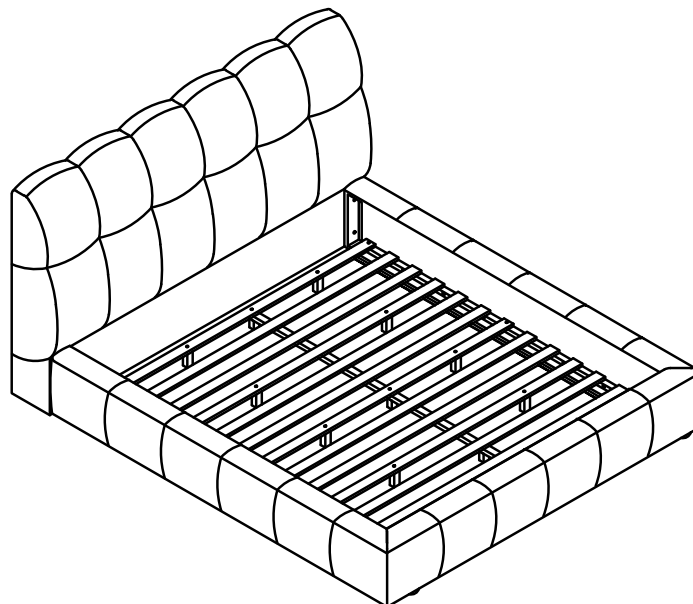
### STEP 5



### STEP 6



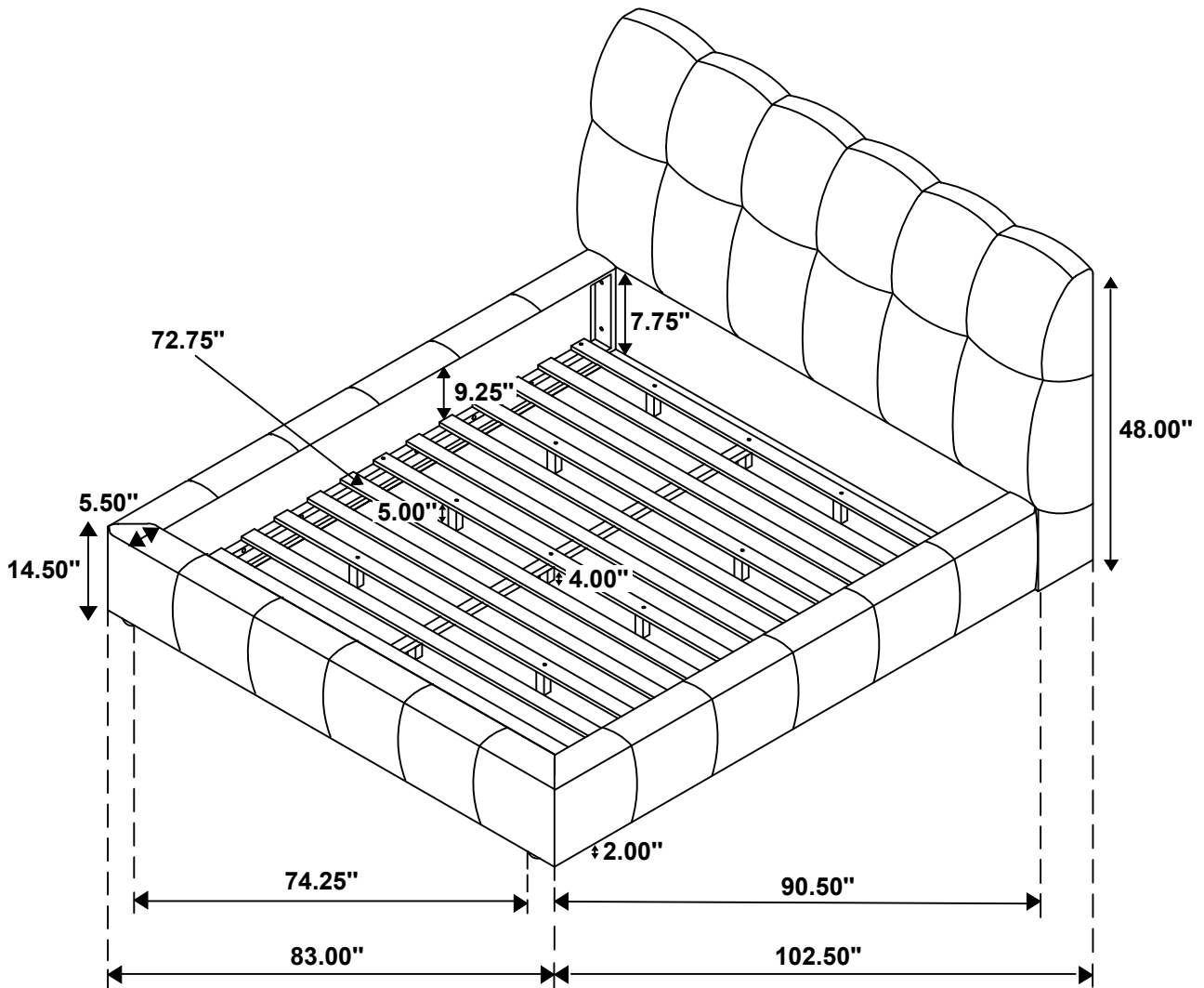
### STEP 7 **COMPLETE**



ITEM: **315917GRYKW(B1&B2)**



Inner Size: 73.00"W X 85.00"D



Note : Dimension tolerance  $\pm 5\%$