



Gas RANGES

SAFETY INFORMATION 3

USING YOUR APPLIANCE

Connecting to Wi-Fi 8

Oven Controls..... 9

Settings 10

Sabbath Mode.....12

Gas Cooktop13

Cookware for Gas Cooktop14

Griddle15

Oven Cooking Modes16

Oven Cookware17

Oven Cooking Guide18

Air Fry Cooking Guide.....19

Reheat Cooking Guide.....20

Aluminum Foil and Oven Liners.....21

Oven Racks21

Oven Air Vents21

CARE AND CLEANING

Cooktop Surfaces - Gas 22

Exterior Surfaces 24

Storage Drawer..... 25

Interior Surfaces 26

Oven Door..... 28

Oven Light..... 29

TROUBLESHOOTING TIPS..... 30

LIMITED WARRANTY 34

ACCESSORIES 35

CONSUMER SUPPORT 36

OWNER'S MANUAL

600 Series

ENGLISH/ ESPAÑOL

Write the model and serial numbers here:

Model # _____

Serial # _____

You can find them on a label behind the door or drawer.

THANK YOU FOR MAKING GE APPLIANCES A PART OF YOUR HOME.

Whether you grew up with GE Appliances, or this is your first, we're happy to have you in the family.

We take pride in the craftsmanship, innovation and design that goes into every GE Appliances product, and we think you will too. Among other things, registration of your appliance ensures that we can deliver important product information and warranty details when you need them.

Register your GE appliance now online. Helpful websites and phone numbers are available in the Consumer Support section of this Owner's Manual. You may also mail in the pre-printed registration card included in the packing material.



IMPORTANT SAFETY INFORMATION

READ ALL INSTRUCTIONS BEFORE USING THE APPLIANCE

▲WARNING Read all safety instructions before using the product. Failure to follow these instructions may result in fire, electrical shock, serious injury or death.

▲WARNING If the information in this manual is not followed exactly, a fire or explosion may result, causing property damage, personal injury or death.

- Do not store or use gasoline or other flammable vapors and liquids in the vicinity of this or any other appliance.

- WHAT TO DO IF YOU SMELL GAS

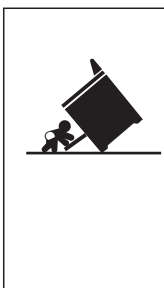
- Do not try to light any appliance.
 - Do not touch any electrical switch; do not use any phone in your building.
 - Immediately call your gas supplier from a neighbor's phone. Follow the gas supplier's instructions.
 - If you cannot reach your gas supplier, call the fire department.
- Installation and service must be performed by a qualified installer, service agency or the gas supplier.

▲WARNING Never Operate the Top Surface Cooking Section of this Appliance Unattended

- Failure to follow this warning statement could result in fire, explosion, or burn hazard that could cause property damage, personal injury, or death.
- If a fire should occur, keep away from the appliance and immediately call your fire department.

DO NOT ATTEMPT TO EXTINGUISH AN OIL/GREASE FIRE WITH WATER.

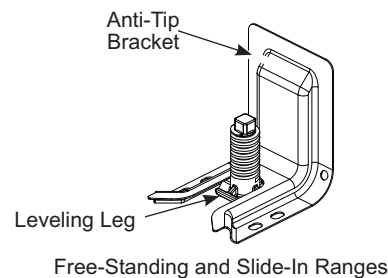
ANTI-TIP DEVICE



▲WARNING

Tip-Over Hazard

- A child or adult can tip the range and be killed.
- Install the anti-tip bracket provided with the unit to the wall or floor.
- Engage the range to the anti-tip bracket by sliding the range back such that the foot is engaged.
- Re-engage the anti-tip bracket if the range is moved.
- Failure to do so can result in death or serious burns to children or adults.



Free-Standing and Slide-In Ranges

To reduce the risk of tipping the range, the range must be secured by a properly installed anti-tip bracket. See installation instructions shipped with the bracket for complete details before attempting to install.

Remove any currently installed anti-tip bracket and install the bracket provided with this unit.

To check if the bracket is installed and engaged properly, look underneath the range to see that the rear leveling leg is engaged in the bracket. On some models, the storage drawer or kick panel can be removed for easy inspection. If visual inspection is not

possible, slide the range forward, confirm the anti-tip bracket is securely attached to the floor or wall, and slide the range back so the rear leveling leg is under the anti-tip bracket.

If your range is removed for cleaning, servicing, or any reason, be sure the anti-tip device is reengaged properly when the range is replaced. Failure to take this precaution could result in tipping of the range and can result in death or serious burns to children or adults. Never completely remove the leveling legs or the range will not be secured to the anti-tip device properly.

READ AND SAVE THESE INSTRUCTIONS

IMPORTANT SAFETY INFORMATION

READ ALL INSTRUCTIONS BEFORE USING THE APPLIANCE

▲WARNING GENERAL SAFETY INSTRUCTIONS

▲WARNING NEVER use this appliance as a space heater to heat or warm the room. Doing so may result in carbon monoxide poisoning and overheating of the oven.

- Use this appliance only for its intended purpose as described in this Owner's Manual.
 - Your range is shipped from the factory set for use with natural gas. It can be converted for use with propane (LP) gas.
 - If required, these adjustments must be made by a qualified technician in accordance with the installation instructions and local codes. The agency performing this work assumes responsibility for the conversion. Have the installer show you the location of the range gas shut-off valve and how to turn it off if necessary.
 - Have your range installed and properly grounded by a qualified installer in accordance with the provided installation instructions.
 - Any adjustment, repair or service not specifically recommended in this manual should be performed ONLY by a qualified gas range installer or service technician.
 - Before performing any service, unplug the range or disconnect the power supply at the household distribution panel by removing the fuse or switching off the circuit breaker.
 - If the heating element in the oven develops a glowing spot or shows other signs of damage, do not use that area of the range. A glowing spot indicates the element may fail and present a potential burn, fire, or shock hazard. Turn the heating element off immediately and have it replaced by a qualified service technician.
 - Be sure all packing materials are removed from the range before operating to prevent ignition of these materials.
 - Avoid scratching or impacting glass displays and doors. Doing so may lead to glass breakage.
 - Do not cook on a product with broken glass. Shock, fire, or cuts may occur.
 - Do not leave children alone or unattended in an area where an appliance is in use. They should never be allowed to climb, sit or stand on any part of the appliance.
- **▲CAUTION** Do not store items of interest to children in cabinets above or on top of the range - children climbing on the oven to reach items could be seriously injured.
 - Do not allow anyone to climb, stand or hang on the oven door, drawer, or cooktop. They could damage the range or tip it over causing severe injury or death.
 - Never block the vents (air openings) of the range. They provide the air inlets and outlets that are necessary for the range to operate properly with correct combustion. Air openings are located at the rear of the cooktop, at the top and bottom of the oven door, and at the bottom of the range.
 - Use only dry pot holders—moist or damp pot holders on hot surfaces may result in burns from steam. Do not let pot holders touch surface units or oven heating elements. Do not use a towel or other bulky cloth in place of pot holders.
 - Do not touch the heating elements or the interior surface of the oven. These surfaces may be hot enough to burn even though they are dark in color.
 - During and after use, do not touch, or let clothing or other flammable materials contact any interior area of the oven; allow sufficient time for cooling first. Other surfaces of the appliance may become hot enough to cause burns. Potentially hot surfaces include the burners, grates, cooktop surface, oven vent opening, surfaces near the opening, crevices around the oven door, metal trim parts above the door, any backguard, or high shelf surface.
 - Do not use any type of foil or liner to cover the oven bottom or anywhere in the oven, except as described in this manual. Oven liners can trap heat or melt, resulting in damage to the product and risk of shock, smoke, or fire.
 - Do not heat unopened food containers. Pressure could build up and the container could burst, causing an injury.
 - Cook food thoroughly to help protect against foodborne illness. Minimum safe food temperature recommendations are provided by the USDA and FDA. Use a food thermometer to take food temperatures and check several locations.
 - Keep the ventilator hood and grease filters clean to maintain good venting and to avoid grease fires. Turn the ventilator OFF in case of a fire. The blower if in operation, could spread the flames.

READ AND SAVE THESE INSTRUCTIONS

IMPORTANT SAFETY INFORMATION

READ ALL INSTRUCTIONS BEFORE USING THE APPLIANCE

▲WARNING KEEP FLAMMABLE MATERIALS AWAY FROM THE RANGE

- Do not store or use flammable materials in an oven or near the cooktop, including paper, plastic, pot holders, linens, wall coverings, curtains, drapes and gasoline or other flammable vapors and liquids.
- Never wear loose-fitting or hanging garments while using the appliance. These garments may ignite if they contact hot surfaces causing severe burns.
- Do not let cooking grease or other flammable materials accumulate in or near the range. Grease in the oven or on the cooktop may ignite.
- Do not store any flammable materials or temperature sensitive items inside of the appliance.
- Clean ventilating hoods frequently. Grease should not be allowed to accumulate on the hood or filter.
- **Remote Operation** – This appliance is configurable to allow remote operation at any time.

▲WARNING IN THE EVENT OF A FIRE, TAKE THE FOLLOWING STEPS TO PREVENT INJURY AND FIRE SPREADING

- Do not use water on grease fires. Never pick up a flaming pan. Turn the controls off. Smother a flaming pan on a surface unit by covering the pan completely with a well-fitting lid, cookie sheet or flat tray. Use a multi-purpose dry chemical or foam-type fire extinguisher.
- If there is a fire in the oven during baking, smother the fire by closing the oven door and turning the oven off or by using a multi-purpose dry chemical or foam-type fire extinguisher.

▲WARNING COOKTOP SAFETY INSTRUCTIONS

- NEVER Operate the Top Surface Cooking Section of this Appliance Unattended. Boilovers can cause smoking and greasy spillovers that may catch on fire. Failure to follow this warning statement could result in fire, explosion, or burn hazard that could cause property damage, personal injury, or death.
- Foods, especially oily foods, may ignite resulting in fire that could spread to surrounding cabinets. If a fire should occur, keep away from the appliance and immediately call your fire department.
- Never leave oil unattended while frying. If allowed to heat beyond its smoking point, oil may ignite resulting in fire that may spread to surrounding cabinets. **DO NOT ATTEMPT TO EXTINGUISH AN OIL/GREASE FIRE WITH WATER.**
- Use a deep fat frying thermometer whenever possible to monitor oil temperature. To avoid oil spillover and fire, use a minimum amount of oil when shallow pan-frying and avoid cooking frozen foods with excessive amounts of ice.
- Use proper pan size and avoid pans that are unstable or easily tipped. Burner flames should be adjusted so that they do not extend beyond the bottom of the pan. Excessive flame may be hazardous.
- Always use the LITE position when igniting the top burners and make sure the burners have ignited.
- To minimize the possibility of burns, ignition of flammable materials and spillage, the handle of a container should be turned toward the center of the range without extending over nearby surface units.
- Do not use a wok with a round metal support ring. The ring may trap heat and block air to the burner resulting in a carbon monoxide hazard.
- Do not attempt to lift the cooktop. Doing so may damage the gas tubing to the surface burners resulting in a gas leak and risk of fire.

READ AND SAVE THESE INSTRUCTIONS

IMPORTANT SAFETY INFORMATION

READ ALL INSTRUCTIONS BEFORE USING THE APPLIANCE

▲WARNING COOKTOP SAFETY INSTRUCTIONS (Cont.)

- Do not use aluminum foil to cover the grates or line any part of the cooktop. Doing so may result in carbon monoxide poisoning, overheating of the cooktop surfaces, or a potential fire hazard.
- Only certain types of glass, glass/ceramic, earthenware or other glazed containers are suitable for cooktop service; others may break because of the sudden change in temperature.
- When preparing flaming foods under a hood, turn the fan on.
- Do not place or store items that can melt or catch fire on the cooktop, even when it is not being used. If the cooktop is inadvertently turned on, they may ignite. Heat from the cooktop or oven vent after it is turned off may cause them to ignite also.

▲WARNING OVEN SAFETY INSTRUCTIONS

- NEVER cover any slots, holes, or passages in the oven bottom or cover an entire rack with materials such as aluminum foil or oven liners. Doing so blocks air flow through the oven and may cause carbon monoxide poisoning. Never place foil or oven liners on the oven bottom. They can trap heat causing risk of smoke or fire.
- Stand away from the range when opening the oven door. Hot air or steam which escapes can cause burns to hands, face and/or eyes.
- Keep the oven vent unobstructed.
- Never place cooking utensils, pizza or baking stones, or any type of foil or liner on the oven floor. These items can trap heat or melt, resulting in damage to the product and risk of shock, smoke or fire.
- Place oven racks in desired location while oven is cool. If rack must be moved while oven is hot, be careful to avoid touching hot surfaces and do not let pot holder contact hot heating element in oven.
- Do not leave items such as paper, cooking utensils or food in the oven when not in use. Items stored in an oven can ignite.
- Do not leave items on the cooktop near the oven vent. Items may overheat resulting in a risk of fire or burns.
- Never broil with the door open.
- Keep the oven free from grease buildup. Grease in the oven may ignite.
- When using cooking or roasting bags in the oven, follow the manufacturer's directions.
- **SHOCK OR BURN HAZARD:** Before replacing oven light bulb, disconnect the electrical power to the oven at the main fuse or circuit breaker panel. Failure to do so may result in electric shock or burn.
- **▲CAUTION BURN HAZARD:** The glass cover and bulb should be removed when cool. Touching hot glass with bare hands or a damp cloth can cause burns.

READ AND SAVE THESE INSTRUCTIONS

IMPORTANT SAFETY INFORMATION

READ ALL INSTRUCTIONS BEFORE USING THE APPLIANCE

⚠ WARNING REMOTE ENABLE EQUIPMENT

This device complies with part 15 of the FCC Rules. Operation is subject to the following two conditions: (1) This device may not cause harmful interference, and (2) this device must accept any interference received, including interference that may cause undesired operation. The wireless communication equipment installed on this range has been tested and found to comply with the limits for a Class B digital device, pursuant to part 15 of the FCC Rules.

These limits are designed to:

(a) provide reasonable protection against harmful interference in a residential installation. This equipment generates, uses and can radiate radio frequency energy and, if not installed and used in accordance with the instructions, may cause harmful interference to radio communications. However, there is no guarantee that interference will not occur in a particular installation. If this equipment does cause harmful interference to radio or television reception,

which can be determined by turning the equipment off and on, the user is encouraged to try to correct the interference by one or more of the following measures:

- Reorient or relocate the receiving antenna.
- Increase the separation between the equipment and receiver.
- Connect the equipment into an outlet on a circuit different from that to which the receiver is connected.
- Consult the dealer or an experienced radio/TV technician for help.

(b) accept any interference received, including interference that may cause undesired operation of the device. Note that any changes or modifications to the wireless communication device installed on this oven that are not expressly approved by the manufacturer could void the user's authority to operate the equipment.

How to Remove Protective Shipping Film and Packaging Tape

Carefully grasp a corner of the protective shipping film with your fingers and slowly peel it from the appliance surface. Do not use any sharp items to remove the film. Remove all of the film before using the appliance for the first time.

To assure no damage is done to the finish of the product, the safest way to remove the adhesive from

packaging tape on new appliances is an application of a household liquid dishwashing detergent. Apply with a soft cloth and allow to soak.

NOTE: All protective packing must be removed from all parts. It cannot be removed if it is baked on.

Consider recycling options for your appliance packaging material.

PROPER DISPOSAL OF YOUR APPLIANCE

Dispose of or recycle your appliance in accordance with Federal and Local Regulations. Contact your local authorities for the environmentally safe disposal or recycling of your appliance.

READ AND SAVE THESE INSTRUCTIONS

Connecting to Wi-Fi

Download the SmarthQ App

Press the Wi-Fi button on your appliance to begin connection. On the SmarthQ App, select your appliance and follow the instructions to complete the connection.

NOTE: Make sure to keep the Wi-Fi function turned on so that you can control your appliance from your SmarthQ app.

If a MAC ID is required to connect your oven to Wi-Fi, see the Settings section for details.

For assistance with oven wireless network connectivity, please call 1-800-220-6899.

Turning Off the Wi-Fi

Press and hold the Wi-Fi button for 3 seconds to fully disconnect from the Wi-Fi. **NOTE:** You will have to reconnect your SmarthQ app to your appliance if you would like to control your appliance from your phone again.

Note that when the Wi-Fi is turned off, the oven wi-fi board is not broadcasting.

Available Features

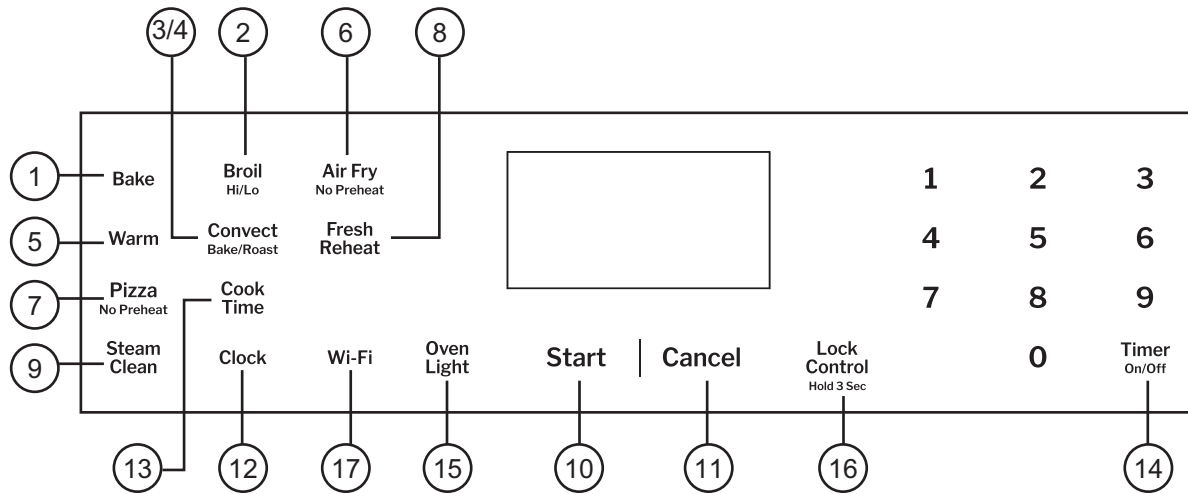
You will be able to connect to a variety of features through the SmarthQ app. Follow all in-app instructions for proper operation of the appliance when using connected features.

Voice to Activate: Your oven can be used with a Google Home or Amazon Alexa smart speaker to set and start your oven and timers. Please ensure your oven and your smart speaker are connected to Wi-Fi. Also ensure that your smart speaker is within close distance to your oven so it hears your commands. Instructions for connecting your oven and smart speaker can be found in the SmarthQ App.

Chef Connect: This is a Bluetooth® pairing feature for use with other compatible Chef Connect enabled products like an over-the-range microwave oven or range hood.

To enable SmarthQ control of the oven while Wi-Fi is active, select ON for the remote enable setting. See the Settings section for more detail.

Oven Controls



- 1. Bake:** See the Cooking Modes section for more information.
- 2. Broil High/Low:** See the Cooking Modes section for more information.
- 3. Convection Bake Multi Rack:** See the Cooking Modes section for more information.
- 4. Convection Roast:** See the Cooking Modes section for more information.
- 5. Warm:** Warm mode is designed to keep hot foods hot for up to 2 hours. See the Cooking Modes section for more information.
- 6. Air Fry:** See the Cooking Modes section for more information.
- 7. Pizza:** See the Cooking Modes section for more information.
- 8. Fresh Reheat:** See the Cooking Modes section for more information.
- 9. Steam Clean:** See the Care and Cleaning section for important information about using this mode.
- 10. Start:** Must be pressed to start any cooking, cleaning, or timed function. Also used to start the Warming Zone on the cooktop.
- 11. Cancel:** Cancels ALL oven operations except the clock and timer.
- 12. Clock:** Sets the oven clock time. Press the **Clock** pad then use the number pads to enter the desired time of day. Press **Start** to save the time.
- 13. Cook Time:** Counts down cooking time and turns off the oven when the cooking time is complete. To use the **Cook Time** function, set the desired cooking mode and cooking temperature, then press the **Cook Time** pad. Use the number pads to enter the desired cooking time in hours and minutes. Press **Start** to begin the countdown.
This can only be used with Bake, Convection Bake Multi Rack, Convection Roast, Warm, and Air Fry.
- 14. Timer On/Off:** Works as a countdown timer.
NOTE: The oven will continue to operate when the timer countdown is complete. To set the timer, press the **Timer On/Off** pad, then use the number pads to enter the time in hours and minutes. Press **Start** to begin the countdown. To turn the timer off, press the **Timer On/Off** pad.
- 15. Oven Light:** Turns the oven light on or off.
- 16. Lock Control:** Locks out the control so that pressing any pad does not activate the controls. To use this feature, press and hold the **Lock Control** pad, for three seconds to lock or unlock the control.
- 17. Wi-Fi:** Allows you to control your oven remotely. For instructions on how to connect your oven, see the Connecting to Wi-Fi section of this manual.

Settings

There are several settings on your range. To access and change these settings, press the **Bake** and **Broil** pads at the same time and hold for three seconds, a beep sounds, then release the buttons and "OFSt" should appear in the display.

Scroll through the Settings menu using the **2** number pad for up and the **8** number pad for down until the desired feature is displayed. To select a feature to change, or to confirm a change, press the **6** number pad. To cancel a change and return to the Settings menu, press the **4** number pad. To exit the Settings menu, press **Cancel** again.

Adjust the Oven Temperature (OFSt)

This feature allows the oven baking temperature to be adjusted up to 35°F hotter or down to 35°F cooler. Use this feature if you believe your oven temperature is running too hot or too cold and wish to change it.

To adjust the oven temperature, enter the Settings menu as listed above, then scroll through the features until "OFSt" is displayed and press **Start**. A number between 35 and -35 will be displayed. Use the **2** number pad to increase the adjusted temperature or use the **8** number pad to decrease the adjusted temperature. Press **6** to save the temperature adjustment. Press **Cancel** to exit the Settings menu. This adjustment will affect Bake, Convection Bake, and Convection Roast.

Do not use thermometers, such as those found in grocery stores, to check the temperature setting of your oven. These thermometers may vary 20-40 degrees.

Sabbath Warmer Setting (Sabb)

This feature allows the user to increase the Sabbath Warm temperature if the oven is operating cooler than desired. To adjust this feature Lo or Hi, enter the Settings menu as outlined above and scroll through the options until "Sabb" is displayed, then press **6**. Scroll to the desired option and press **6** again to confirm. Press **Cancel** to exit the Settings menu.

Sound Volume (Snd)

This feature allows the oven tone volume to be adjusted On and Off (OFF). To adjust the tone volume, enter the Settings menu as outlined above and scroll through the options until "Snd" is displayed, then press **6**. Scroll to the desired option and press **6** again to confirm it. Press **Cancel** to exit the Settings menu.

End of Timer Signals (End tonE)

This is the tone that signals the end of a timer. The tone can be continuous (Cont) or one repeating beep (bEEP). A continuous setting will continue to sound a tone until a pad on the control is pressed. A single setting (bEEp) will sound just a single tone at the end of the timer. To change the tone, enter the Settings menu as outlined above and scroll through the options until "End tonE" is displayed, then press **6**. Scroll to the desired option and press **6** again to confirm it. Press **Cancel** to exit the Settings menu.

12-hr Auto Shut Off (12h Shut)

This feature turns off the oven after 12 hours of continuous operation. To enable or disable this feature,

enter the Settings menu as listed above and scroll through the options until "12h Shut" is displayed, then press **6**. Scroll to the desired option and press **6** again to confirm it. Press **Cancel** to exit the Settings menu.

Fahrenheit / Celsius (dEg Unit)

The oven control is set to use Fahrenheit temperatures (F), but you can change it to use Celsius temperatures (C). To toggle between temperature measurements, enter the Settings menu as listed above and scroll through the options until "dEg Unit" is displayed, then press **6**. Scroll to the desired option and press **6** again to confirm it. Press **Cancel** to exit the Settings menu.

Clock Display (CLoc diSP)

This feature specifies whether the clock appears in the display. The clock display may be "On" or "OFF." To change the display, enter the Settings menu as listed above and scroll through the options until "CLoc diSP" is displayed, then press **6**. Scroll to the desired option and press **6** again to confirm it. Press **Cancel** to exit the Settings menu.

Clock Configuration (CLoc cFg)

This feature specifies how the time of day will be displayed. You can select a standard 12-hour clock (12) or 24-hour military time display. To change the configuration, enter the Settings menu as outlined above and scroll through the options until "CLoc cFg" is displayed, then press **6**. Scroll to the desired option and press **6** again to confirm it. Press **Cancel** to exit the Settings menu.

Auto Recipe Conversion (Auto Con)

This feature automatically adjusts traditional baking temperatures for Convection Bake Multi Rack cooking. To turn this feature "On" or "oFF," enter the Settings menu as outlined above and scroll through the options until "Auto Con" is displayed, then press **6**. Scroll to the desired option and press **6** again to confirm it. Press **Cancel** to exit the Settings menu.

Remote Enable (APP EnbL)

Allows you to control your oven remotely. This feature may be "on" or "oFF." To change the configuration, enter the Settings menu as outlined above and scroll through the options until "APP EnbL" is displayed, then press **6**. Scroll to the desired option and press **6** again to confirm it. Press **Cancel** to exit the Settings menu.

Settings

UPD (uPd)

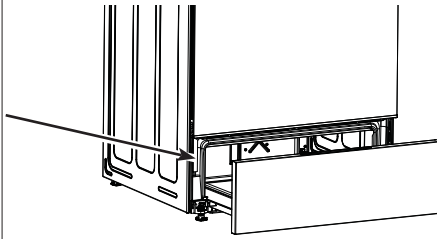
The UPD information may be requested when contacting service about your oven. To access the information, enter the Settings menu as outlined above and scroll thru the options until "uPd" is displayed, then press **6**. A set of four characters and numbers will display. Scroll down to see the next set of four characters and numbers and then scroll down again to see the final set of four characters and numbers. You can also scroll up to review the previous sets. Press **Cancel** to exit the Settings menu.

MAC ID (id)

The MAC ID information may be needed to connect to some Wi-Fi systems. To access the information, enter the Settings menu as outlined above and scroll thru the options until "id" is displayed, then press **6**. A set of four characters and numbers will display. Scroll down to see the next set of four characters and numbers and then scroll down again to see the final set of four characters and numbers. You can also scroll up to review the previous sets. Press **Cancel** to exit the Settings menu.

Sabbath Mode

MODEL		SERIAL	
INPUTS-BTU/HR	NATURAL	PROPANE	
RIGHT REAR	5 000	5 000	
LEFT REAR	9 500	9 500	
LEFT FRONT	9 500	9 500	
RIGHT FRONT	13 000	12 000	
TOP BURNERS			
BAKE BURNER	18 000	16 000	
OVEN			
MANIFOLD PRESSURE	5" WC	10" WC	
120V 60Hz SA			
INPUTS	WATTS		
GE APPLIANCES			
MADE IN MEXICO			



If your range has the OU logo on the rating label as pictured, your range offers a Sabbath mode that complies with standards set forth by Orthodox Union, the Central Rabbinical Congress, and Halacha Tech, and is 100% certified to the highest halacha standards. In this mode, the oven lights will be turned off for the duration of use, oven tones will be disabled, and gives the option to set Sabbath schedules up to 72 hours in length.

NOTE: Ensure the oven clock is accurate before entering the mode. For proper Sabbath operation, the mode must be started within the 1-hour window before sunset.

Entering the Sabbath Schedule Selection Menu

1. Press and hold the **Timer On/Off** and **Oven Light** pads for 3 seconds a beep sounds, then release the buttons and "SAbb" should display.
2. Scroll through the schedule options using the **0** number pad. Select the desired schedule by pressing **Start**.

NOTE: An "S" in the schedule denotes 24hr + 1hr of oven warming. An "H" in the schedule denotes a day of Holiday as defined in the Holiday ("hoLi") section below.

Menu Options	Schedule Details	Duration Options	Display Shown
SAbb	Sabbath Warm	24h (default), 48h, 72h 4h, 8h, 12h	SAbb
SH	24 hr + 1 hr Warm 24 hr Holiday	None	hoLi
SHH	24 hr + 1 hr Warm 24 hr Holiday 24 hr Holiday	None	hoLi
HS	24 hr Holiday 24 hr + 1 hr Warm	None	hoLi
HHS	24 hr Holiday 24 hr Holiday 24 hr + 1 hr Warm	None	hoLi

NOTE: Pressing the **Cancel** pad will exit the Sabbath mode completely and return the range to normal function. If no pads are pressed for 30 seconds, the control will time out and return to normal function.

Sabbath Warm (Sabb)

Sabbath Warm will keep the oven warm for the scheduled duration. To use the Sabbath Warm function,

1. Press and hold the **Timer On/Off** and **Oven Light** pads for 3 seconds until a beep sounds, then release the buttons and "Sabb" should display. If a continuous, 24hr Sabbath Warm is desired, press **Start**.
2. If the default duration is not desired, press the **Timer On/Off** pad while "Sabb" is displayed to enter the Sabbath Warm Duration Selection menu. Scroll through the duration options using the 0 pad, then select the desired duration by pressing **Start**.

NOTE: For time options less than 24 hours, the appliance will complete the Sabbath Warm function and transition to Sabbath Idle for the remainder of the 24-hour period. The oven lights will remain on, oven tones will remain disabled, oven heating will be disabled, and the control will display "IdLE".

Menu Options	Schedule Details
24hr	24hr + 1hr Sabbath Warm
48hr	48hr + 1hr Sabbath Warm
72hr	72hr + 1hr Sabbath Warm
4hr	4hr Sabbath Warm 20hr +1hr Sabbath Idle
8hr	8hr Sabbath Warm 16hr +1hr Sabbath Idle
12hr	12hr Sabbath Warm 12hr +1hr Sabbath Idle

Holiday (hoLi)

Schedule options with the Holiday function included will follow the schedule below automatically. No further action is required after setting the desired schedule option, as the appliance will transition between functions on its own based on the initial time entered within the 1-hour window before sunset.

	Start Time	End Time
Holiday Bake	Initial Time Entered (ITE)	ITE + 5 hrs or Midnight (whichever occurs first)
Holiday Warm	ITE + 5 hrs or Midnight (whichever occurs first)	8 AM
Holiday Bake	8 AM	12 Noon
Holiday Warm	12 Noon	Initial Time Entered

Sabbath Mode Power Outage Note

If a power outage occurs during the use of the Sabbath Warm or Holiday modes, the appliance will return to Sabbath Warm for the remainder of the chosen schedule. If the power outage occurs during the Sabbath Idle mode, the appliance will return to Sabbath Idle for the remainder of the chosen schedule.

Gas Cooktop

In Case of a Power Failure

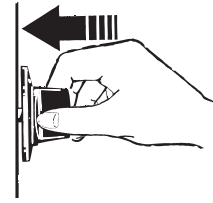
In the event of a power failure, the oven is inoperable, and no attempt should be made to operate it. However, the cooktop may be lit with a match. Using extreme caution, hold a lit match near the ports beneath the surface burner cap, then slowly turn the knob to the LITE position. Once lit, surface burners will continue to operate normally.

Lighting a Surface Burner

⚠ WARNING Burners should be operated only when covered by cookware. Burner flames not covered by cookware present a risk of fire or clothing ignition. Never let flames extend beyond the sides of the cookware. Failure to comply may result in serious injury.

To light the burner, select a burner and find its control knob. Push the knob in and turn it to the LITE position.

You will hear a clicking noise - the sound of the electric spark igniting the burner. When one burner is turned to LITE, all burners will spark. Sparking will continue as long as the knob remains at LITE. Once gas is ignited, turn the knob to adjust the flame size.



Push the control knob in and turn it to the LITE position.

Lighting a Surface Burner with a Match

You can light the surface burners on your range with a wooden kitchen match. Hold a lit match to the burner, then push in and turn the control knob to the **LITE** position. Use extreme caution when lighting burners this way. Surface burners in use when an electrical power failure occurs will continue to operate normally.

Selecting a Flame Size

Watch the flame, not the knob, as you adjust heat. When rapid heating is desired, the flame size on a burner should match the size of the cookware you are using. Flames larger than the bottom of the cookware will not heat faster and may be hazardous.



These flames are too large for the pot

Using the Surface Burners

- The round burner is for general cooking purposes. Size cookware appropriately to the flames.
- Do not operate the burner for an extended period of time without cookware on the grate. The finish on the grate may discolor or chip without cookware to absorb the heat.
- Do not attempt to disassemble any burner while another burner is on. An electric shock may result, which could cause you to knock over hot cookware.
- Be sure the burners and grates are cool before you place your hand, a pot holder or cleaning materials on them.

Cookware for Gas Cooktop

The following information will help you choose cookware which will give good performance on gas cooktops.

Aluminum:

Medium-weight cookware is recommended because it heats quickly and evenly. Most foods brown evenly in an aluminum skillet. Use saucepans with tight-fitting lids when cooking with minimum amounts of water.

Stainless Steel:

This metal alone has poor heating properties and is usually combined with copper, aluminum or other metals for improved heat distribution. Combination metal skillets usually work satisfactorily if they are used with medium heat or as the manufacturer recommends.

Cast Iron:

If heated slowly, most skillets will give satisfactory results.

Enamelware:

Under some conditions, the enamel of some cookware may melt. Follow the cookware manufacturer's recommendations for cooking methods.

Glass:

There are two types of glass cookware - those for oven use only and those for top-of-range cooking (saucepans, coffee and teapots). Glass conducts heat very slowly.

Heatproof Glass Ceramic:

Can be used for either surface or oven cooking. It conducts heat very slowly and cools very slowly. Check the cookware manufacturer's directions to be sure it can be used on gas ranges.

Stove Top Grills

Do not use an after-market stove top grill on your gas surface burners. A stove top grill will cause incomplete combustion resulting in carbon monoxide levels above allowable standards. This could be hazardous to your health.



Do not use stove top grills

Using a Wok

Use only a flat-bottomed wok with a diameter of 14 inches or less. Make sure the wok bottom sits flat on the grate.

Do not use a wok support ring. Placing the ring over the burner or grate may cause the burner to work improperly, resulting in carbon monoxide levels above allowable standards. This could be hazardous to your health.



Use a flat-bottomed wok.



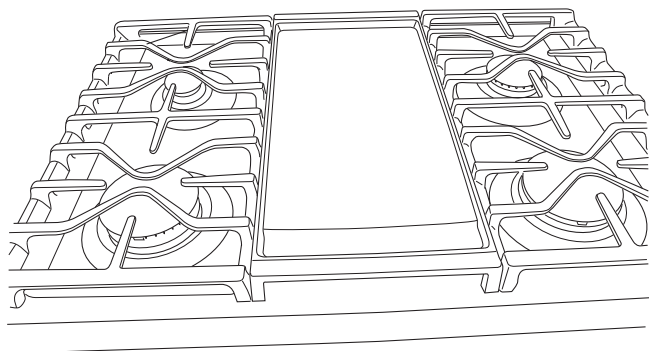
Griddle

Using Your Non-Stick Aluminum Griddle

Your griddle provides an extra-large cooking surface for meats, pancakes and other foods usually prepared in a skillet. Before first use, rinse with hot water and dry thoroughly.

Positioning Your Griddle

The non-stick aluminum griddle or cast iron reversible griddle/grill accessory can only be used over the center burner of the range top.



Preheating Your Griddle

Preheat your griddle for 5 minutes on High before placing food on the griddle.

Once the griddle is preheated, turn the knob on the burner to the cook setting recommended in the table. Adjust the setting as needed for your specific pan and desired doneness.

Type of Food	Cook Setting
Warming Tortillas	Med-Lo
Pancakes	Med-Lo
Hamburgers	Med
Fried Eggs	Lo
Breakfast Sausage Links	Med
Bacon	Med
Hot Sandwiches (such as Grilled Cheese)	Med-Lo

Griddle Precautions

- Do not use on the griddle for extended lengths of time. Permanent staining and/or cracking lines on the surface could result.
- Do not overheat the griddle. Leaving the griddle burner on at HI for an extended amount of time without food can damage the nonstick coating.
- Use only plastic, nylon, wooden utensils, or SilverStone® kitchen tools to prevent marring of the coating.
- Never use knives or cut food on the griddle.
- Do not use metal utensils with sharp points or rough, sharp edges which might damage the griddle surface.
- Store carefully to prevent scratching.
- Do not place the griddle in a microwave oven.
- If something has spilled under the griddle, it should be cleaned up as soon as possible to prevent "baked on" food soil.
- Do not allow grease to accumulate under the griddle as it can be a fire hazard. Clean under the griddle with hot, soapy water as soon as it is cool.

For instructions on how to clean the griddle, see the Care and Cleaning section of this manual.

Cast Iron Reversible Griddle/Grill Accessory

- If using the cast iron griddle accessory, preheat your griddle or grill at least 5 minutes on High before placing food on the griddle or grill.
- When cooking steaks on the grill side, preheat your griddle or grill up to 8 minutes on High to sear the outside of the steak.

Oven Cooking Modes

Your new oven has a variety of cooking modes to help you get the best results. These modes are described below. Refer to the Cooking Guide section for recommended rack positions and other tips for using these modes. Remember, your new oven may perform differently than the oven it is replacing.

Place racks in the desired position(s) prior to starting the oven. For some cooking modes, such as Bake, Convection Bake, and Convection Roast, the oven will preheat and a tone will sound when the oven is ready for cooking. Some cooking modes do not require preheating. To reduce preheating times, remove unused racks and avoid opening the oven door until the preheat tone sounds.

While in use, oven heaters will cycle on and off as needed to maintain appropriate cooking conditions. Avoid frequently opening the oven door, as this can impact cooking times and performance.

Bake

The Bake mode is intended for baking and roasting on a single rack. To use this mode, press the **Bake** pad and use the number pads to set the desired temperature, then press **Start**.

Preheating is generally recommended when using this mode, especially for preparing baked goods such as cakes, cookies, and pastries.

Broil Modes

Monitor food closely while broiling. Use caution when broiling on upper rack positions as placing food closer to the broil element increases smoking, spattering, and fats igniting. For best performance center food below the broil heating element. Try broiling foods that you would normally grill. Adjust rack positions to adjust the intensity of the heat to the food. Always use the Broil mode with the oven door closed.

Broil High

Broil High uses intense heat from the upper element to sear foods. Use Broil High for thinner cuts of meat and/or when you would like to have a seared surface and less done interior. To use this mode press the **Broil** pad once and then press **Start**.

It is not necessary to preheat when using this mode.

Broil Low

Broil Low uses less intense heat from the upper element to cook food thoroughly while also browning the surface. Use Broil Lo for thicker cuts of meat and/or foods that you would like cooked all the way through. To use this mode, press the **Broil** pad **twice** and then press **Start**.

It is not necessary to preheat when using this mode.

Convection Bake Multi Rack

The Convection Bake Multi Rack mode is intended for baking on multiple racks at the same time. This mode uses heat from the upper and lower elements, along with air movement from the convection fan to enhance cooking evenness. Baking time might be slightly longer for multiple racks than what would be expected for a single rack.

Your oven is equipped with Auto Recipe Conversion, so it is not necessary to adjust from conventional Bake temperatures to Convection Bake temperatures when using this mode. See the Settings section for more information on Auto Recipe Conversion.

To use this mode, press the **Convection Bake/Roast** pad once and use the number pads to set the desired temperature, then press **Start**.

Always preheat when using this mode.

Convection Roast

The Convection Roast mode is intended for roasting whole cuts of meat on a single rack. This mode uses heat from the upper and lower elements along with air movement from the convection fan to improve browning and reduce cooking time. Check food earlier than the recipe suggested time when using this mode or use a meat probe.

To use this mode, press the **Convection Bake/Roast** pad twice and use the number pads to set the desired temperature, then press **Start**.

Air Fry

The Air Fry mode is a special convection mode that uses hot, fast-moving air and is designed to produce foods with a crispier exterior than traditional oven cooking. The Air Fry mode is intended for single rack cooking only. To use this mode, press the **Air Fry** pad and use the number pads to set the desired temperature, then press **Start**.

The temperature can be set between 300°F and 500°F. Preheating is not necessary for this mode. Follow recipe or package traditional bake guidelines for set temperatures and cook times and adjust the cook time to achieve your desired crispness. Additional guidelines for using this mode can be found in the Air Fry Cooking Guide.

Oven Cooking Modes (cont.)

Pizza No Preheat

The Pizza No Preheat mode is designed to cook frozen pizzas. Most pizzas will cook within package recommended times. Adjust cooking time according to individual preferences. To use this mode, press the **Pizza No Preheat** pad and use the number pads to set the desired temperature, then press **Start**.

Use Pizza No Preheat when cooking on a single rack. Preheating is not necessary for this mode. Food should be placed in the oven before or immediately upon starting this mode.

Warm

Warm mode is designed to keep hot foods hot. Do not use warm to heat cold food, other than crisping crackers, chips, or dry cereal. Cover foods that need to remain moist and do not cover foods that should be crisp. It is also recommended that food should not be kept warm for more than two hours. To use this mode, press the **Warm** pad, then press **Start**.

Preheating is not necessary for this mode.

Reheat

The Reheat Mode is designed to heat previously cooked and refrigerated foods to serving temperature. Reheat mode is intended to be used without preheating and has two settings: High and Low. See the Reheat Cooking Guide for more Information.

Reheat High

Use Reheat High for thinner, smaller foods such as pizza slices or French Fries. To use this setting, press the **Reheat** pad once and then press **Start**. Food should be on a single rack and should be placed in the oven before or immediately after starting this mode.

Reheat Low

Use Reheat Low for thicker foods, larger quantities of food, or foods that are prone to over-browning such as casseroles or muffins. To use this setting, press the **Reheat** pad twice and then press **Start**. Food should be on a single rack and should be placed in the oven before or immediately after starting this mode.

Oven Cookware

The material, finish, and size of cookware affect baking performance. Dark, coated and dull pans absorb heat more readily than light, shiny pans. Pans that absorb heat more readily can result in a browner, crisper and thicker crust. If using dark and coated cookware check food earlier than the minimum cook time. If undesirable results are obtained with this type of cookware consider reducing oven temperature by 25° F next time.

- Shiny pans can produce more evenly cooked baked goods such as cakes and cookies.
- Glass and ceramic pans heat slowly but retain heat well. These types of pans work well for dishes such as pies and custards.

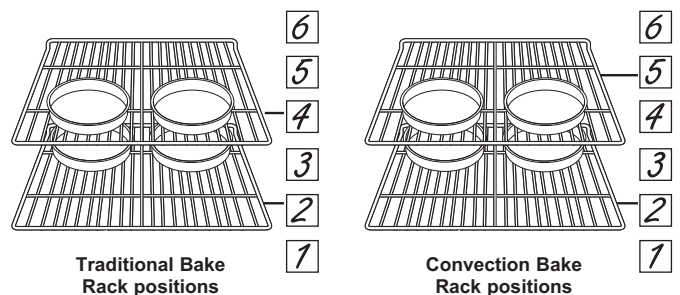
- Air insulated pans heat slowly and can reduce bottom browning.
- Stoneware heats slowly and retains heat well. It is recommended to preheat this type of cookware if possible. Additional cook time may be required.
- Cookware used in broil modes and air fry must be broil-safe.
- Keep cookware clean to promote even heating.

Oven Cooking Guide

FOOD TYPE	RECOMMENDED MODE(S)	RECOMMENDED RACK POSITION(S)	ADDITIONAL SUGGESTIONS
Baked Goods			
Layer cakes, sheet cakes, bundt cakes, muffins, quick breads on a Single Rack	Bake	3	Use shiny cookware and ensure adequate airflow.
Layer cakes on Multiple Racks*	Convection Bake	2 & 5	Use shiny cookware and ensure adequate airflow. (see illustration below).
Chiffon cakes (angel food)	Bake	1	Use shiny cookware and ensure adequate airflow.
Cookies, biscuits, scones on a Single Rack	Bake	3	Use shiny cookware and ensure adequate airflow.
Cookies, biscuits, scones on Multiple Racks	Convection Bake	2 & 5	Use shiny cookware and ensure adequate airflow.
Yeast breads	Bake	3	
Beef & Pork			
Hamburgers	Broil Hi	6	Use a broil pan; move food down for more doneness/less searing. Watch food closely when broiling. For best performance center food below the broil heater.
Steaks & Chops	Broil Hi	4 or 5	Use a broil pan; move food down for more doneness/less searing. Watch food closely when broiling. For best performance center food below the broil heater.
Roasts	Bake Convection Roast	2 or 3	Use a low sided pan such as a broil pan. Preheating is not necessary.
Poultry			
Whole chicken	Bake Convection Roast	3	Use a low sided pan such as a broil pan. Preheating is not necessary.
Bone-in chicken breasts, legs, thighs	Broil Lo Bake	2 3	If breaded or coated in sauce avoid Broil Hi modes. Broil skin side down first. Watch food closely when broiling. For best performance when broiling, center food below the broil heater or burner.
Boneless chicken breasts	Broil Lo Bake	2 3	Move food down for more doneness/less searing and up for greater searing/browning when broiling. For best performance when broiling, center food below the broil heater or burner.
Whole turkey	Bake Convection Roast	1	Use a low sided pan such as a broil pan.
Turkey Breast	Bake Convection Roast	2	Use a low sided pan such as a broil pan.
Other			
Fish	Broil Lo	5 (1/2 thick or less) 4 (>1/2 inch)	Watch food closely when broiling. For best performance center food below the broil heating element.
Casseroles	Bake	3	
Frozen Pizza on a single rack	Frozen Pizza Mode	3	Place food in oven prior to starting mode.
Fresh or Frozen Snacks	Air Fry	See the air fry cooking guide	Place food in oven prior to starting mode.

*When baking four cake layers at a time with traditional bake, use racks 2 and 4. When baking four cake layers at a time with convection bake, use racks 2 and 5. Place the upper pans to the front and lower pans to the back.

Cook food thoroughly to help protect against food borne illness. Minimum safe food temperature recommendations for food safety can be found at foodsafety.gov. Make sure to use a food thermometer to take food temperatures.

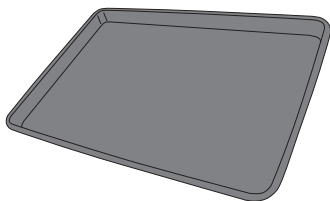


Air Fry Cooking Guide

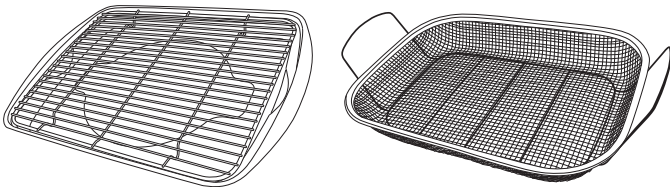
Air Fry is a special, no-preheat, cooking mode that is designed to produce foods with a crispier exterior than traditional oven cooking. Select **Air Fry**, then input the desired set temperature and press **Start**. The temperature can be set between 300°F and 500°F.

Air Fry Cookware Guidelines

- Only use broil safe cookware when using Air Fry mode.
- A dark sheet pan or oven air fry basket is recommended. A dark pan promotes better browning and crisping.
- When using an oven air fry basket or baking basket, a sheet pan can be placed on the rack below the foods to catch any drippings.



Primary recommended cookware



Alternate cookware options

General Tips for Air Fry Mode

- The Air Fry mode is designed for cooking on a single rack.
- The Air Fry mode is designed to be used without preheating.
- Rack position 4 is recommended for most foods. Use rack position 3 for thicker foods.
- For frozen packaged foods, use traditional oven cooking instructions for set temperature and expected cook time. Adjust the cook time to achieve your desired crispness.
- Foods may cook faster than expected if the oven is already hot when food is placed in the oven.
- When air frying foods with sauce, it is recommended to apply the sauce at the end of cooking.
- If foods are browning too quickly, try a lower rack position or lower oven set temperature.
- It is not necessary to flip or stir food during cooking
- Arrange food in a single layer on the pan, do not overload the pan.
- Always check internal food temperature to confirm minimum safe temperatures have been reached. Minimum safe food temperatures can be found on packages and at foodsafety.gov.

FOOD TYPE	RECOMMENDED RACK POSITION(S)	RECOMMENDED SET TEMPERATURES (F°)	RECOMMENDED COOK TIME (MIN)	NOTES
Fresh boneless fish or poultry pieces, breaded such as nuggets, tenders, fillets	3 or 4	375-400	15-30	User lower set temperatures for larger pieces. Use shiny cookware.
Fresh bone in chicken wings	3 or 4	375-400	25-40	Salt wings or coat in a dry rub. If using sauce, apply after cooking or toward the end of cooking
Fresh bone in chicken drumsticks or thighs	3 or 4	375-400	30-55	User lower set temperatures for larger and thicker pieces.
Fresh French fries, thin (< ½ inch)	3 or 4	400-425	15-30	Parchment paper is recommended when preparing fresh French fries. For crispier fries, toss fries in corn starch or rice flour before cooking.
Fresh French fries, thick (> ½ inch)	3 or 4	375-400	20-35	Parchment paper is recommended when preparing fresh French fries. For crispier fries, toss fries in corn starch or rice flour before cooking.
Frozen packaged foods	3 or 4 (use rack position 3 for thicker foods)	Use traditional oven (not Air Fry) cooking instructions as a guideline for set temperature and cook time. Additional cook time beyond recommended package time may be required for some foods. If oven is hot when starting, food may cook faster than the minimum package time.		

Reheat Cooking Guide

The Reheat cooking mode is designed to heat previously cooked foods to serving temperature. Reheat mode is intended to be used without preheating and has two settings: High and Low. Food should be on a single rack and should be placed in the oven before or immediately after starting this mode.

Reheat Cookware Guidelines

- Cookware used in Reheat mode must be oven safe.
- Metal pans are recommended. If using non-metal cookware such as glass or ceramic, check cookware manufacturer’s instructions to determine if cookware can be used.
- Transferring food to a different container than what it was refrigerated in may be required as many non-metal storage containers cannot withstand rapid changes in temperature.

General Tips for Reheat Mode

- Do not preheat the oven when using Reheat mode.
- Rack position 3 is recommended.
- Use Reheat High for thin foods and small quantities of foods; arrange foods in a single layer.
- Use Reheat Low for thicker foods, larger quantities of foods or foods that are prone to over-browning.
- Leave food uncovered if a crispy texture is desired.
- Foods can be covered with aluminum foil when reheating.
 - Covered food will retain more moisture compared to uncovered food.
 - Covered food will take longer to reheat than uncovered food.
- Thinner layers of food will reheat more quickly than thicker layers.
- Store food properly and check the internal food temperature to confirm minimum safe temperatures have been reached. Food safety guidelines can be found at foodsafety.gov.

FOOD TYPE	RECOMMENDED SETTING	APPROXIMATE REHEAT TIME	NOTES
Regular or Thin Crust Pizza	High	10-15 minutes	Leave uncovered
Thick Crust Pizza	High	10-20 minutes	Leave uncovered for crisper texture, cover with foil for softer texture
Grilled Sandwiches or Sliders	High	12-20 minutes	Leave uncovered for crisper texture, cover with foil for softer texture
Thin Meats and/or Small Vegetables	High	15-25 minutes	Leave uncovered
Fried Foods such as French Fries or Chicken Tenders	High	10-30 minutes	Leave uncovered
Pancakes or Waffles	High	10-15 minutes	Leave uncovered for crisper texture, cover with foil for softer texture
Muffins, Rolls or Pastries	Low	12-20 minutes	Leave uncovered for crisper texture, cover with foil for softer texture
Whole Loaf of Bread	Low	20-30 minutes	Leave uncovered for crisper texture, cover with foil for softer texture
Casserole, 1-2 Servings	Low	20-30 minutes	Cover casserole if a crisp top surface is not desired Covered food will take longer to reheat than uncovered food.
Casserole, 5-6 Servings	Low	25-45 minutes	Cover casserole if a crisp top surface is not desired Covered food will take longer to reheat than uncovered food.
Slice of Pie	Low	10-15 minutes	Leave uncovered for crisper texture, cover with foil for softer texture
Whole Pie	Low	25-40 minutes	Leave uncovered for crisper texture, cover with foil for softer texture

Aluminum Foil and Oven Liners

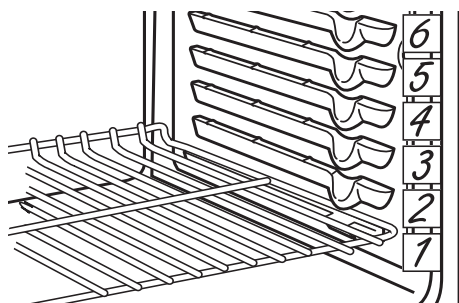
▲ CAUTION Do not use any type of foil or oven liner to cover the oven bottom. These items can trap heat or melt, resulting in damage to the product and risk of shock, smoke or fire. Damage from improper use of these items is not covered by the product warranty.

Foil may be used to catch spills by placing a sheet on a lower rack, several inches below the food. Do not use more foil than necessary and never entirely cover an oven rack with aluminum foil. Keep foil at least 1-1/2" from oven walls to prevent poor heat circulation.

Oven Racks

Rack Positions

Your oven has 6 rack positions. Recommended rack positions for various types of foods are provided in the Cooking Guide. Adjusting rack position is one way to impact cooking results. For example, if you would prefer darker tops on cakes, muffins, or cookies, try moving food one rack position higher. If you find foods are too brown on top try moving them down next time.



When baking with multiple pans and on multiple racks, ensure there is at least 1½" between pans to allow sufficient space for air to flow. This may improve cooking evenness. To avoid possible burns, place the racks in the desired position before you turn the oven on.

Oven Air Vents

Never block the vents (air openings) of the range. They provide the air for the inlet and outlet that are necessary for the range to keep cool and operate properly. Air openings are located at the rear of the cooktop.

Flat Racks

When placing and removing cookware, pull the rack out to the bump (stop position) on the rack support. To remove a rack, pull it toward you until it reaches the stop position, tilt up the front of the rack and pull it out. To replace a rack, place the curved end of the rack onto the rack supports. Tilt up the front of the rack and push the rack in until it stops. Then lay the rack flat and push it in until it is all the way into the oven.

Racks may become difficult to slide, especially after a self-clean cycle. To improve sliding conditions, use a soft cloth or paper towel to rub vegetable oil on the left and right edges of the racks and/or rack supports. Do not use other cooking oils like peanut oil, Pam® or other lubricant sprays, since this can cause a discoloring or a rust like color residue on the racks and cavity sides.

NOTE: Remove unused racks when using the oven for faster preheat, improved efficiency and optimal cooking performance. See the Accessories section for instructions on ordering additional racks.

Cooktop Surfaces - Gas

Normal, Daily Use Cleaning

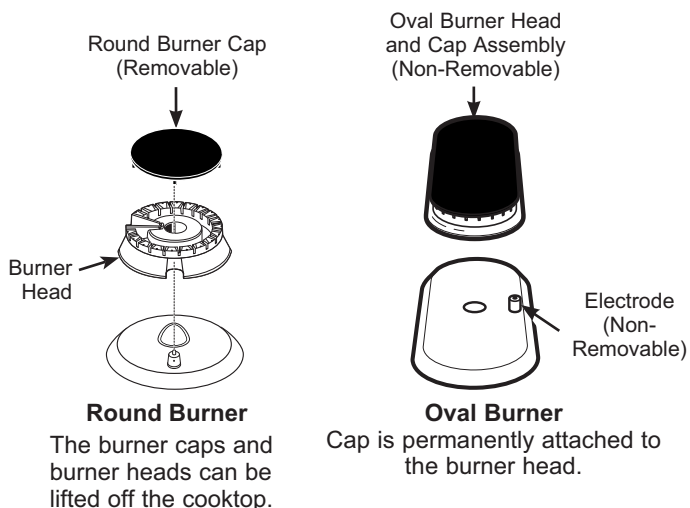
Do not use oven cleaners, abrasive cleansers, strong liquid cleansers, steel wool, plastic scouring pads, or cleaning powders on the interior or exterior of the oven. Clean with a mild soap and water or a 50/50 solution of vinegar and water. Rinse with clean water and dry with a soft cloth. When cleaning surfaces, make sure that they are at room temperature.

Spillage of marinades, fruit juices, tomato sauces and basting liquids containing acids may cause discoloration and should be wiped up as soon as hot surfaces cool, then clean and rinse.

Removal of Surface Burners for Cleaning

Turn all controls OFF. Allow cooktop to cool before removing grates and burner parts. When removing the burner caps and heads, remember their size and location. Replace them in the same location after cleaning.

CAUTION Do not attempt to remove oval burner caps from burner heads.



Cleaning the Burner Caps

Wash burner caps in hot, soapy water and rinse with clean water. You may scour with a plastic scouring pad

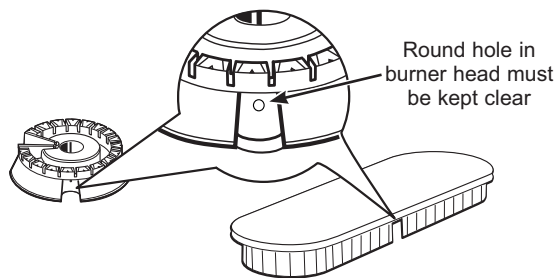
to remove burned-on food particles. The round caps may also be cleaned in your dishwasher.

Cleaning the Burner Heads

Wash the burner heads routinely, especially after bad spillovers, which could clog the burner openings. Lift burners off when cool. Wash with hot, soapy water. Rinse with clean water. For more stubborn stains, use a brush with plastic bristles.

NOTE: Do not use steel wool or scouring pads to clean the burner parts as these may clog the openings. Never wash burner heads in your dishwasher. Doing so may cause them to discolor. The ports in the burner heads must be kept clean at all times for an even, unhampered flame.

For proper ignition, make sure the small hole in the notch that fits over the electrode is kept open. A sewing needle or wire twist-tie works well to unclog it.



Cooktop Surfaces - Gas (Cont.)

Replacing Surface Burners

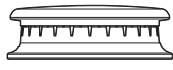
Before putting the burner caps, heads, and oval head/cap assembly back, shake out excess water and allow them to dry thoroughly. Replace burner heads in the correct locations according to size. Ensure each cap is properly seated on the burner head, as pictured below.



Burner cap is NOT properly seated.



Burner cap is NOT properly seated.



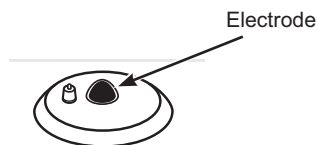
Burner cap is properly seated.

▲ CAUTION

Do not operate the cooktop without all burner parts and grates in place.

Any spill on or around an electrode must be carefully cleaned. Avoid hitting the electrode with anything hard or it could be damaged.

The electrode of the spark igniter is exposed when the burner head is removed. When one burner is turned to **LITE**, all the burners spark. Do not attempt to disassemble or clean around any burner while another burner is on.



Burner Grates

Grates should be washed in hot, soapy water and rinsed with clean water. To soften burned-on food, place grates in a solution containing 1/4-cup of household ammonia for several hours. Afterward, scrub

grates with a plastic scouring pad soaked in hot, soapy water. Rinse well and dry.

Non-stick Griddle

- Avoid scraping the griddle surface with metal utensils. Wash your griddle with dish soap and hot water. If necessary, scrub with a non-abrasive plastic pad.
- If something has spilled under the griddle, it should be cleaned up as soon as possible to prevent the spill from getting baked onto the cooktop.
- Do not allow grease to accumulate under the griddle as it can be a fire hazard. Clean under the griddle with hot soapy water as soon as it is cool.

Cast Iron Reversible Griddle/Grill Accessory

- Clean your reversible cast-iron griddle/grill accessory with a stiff brush and hot water.
- Using soap is not recommended and harsh detergents should never be used as they will remove the seasoning.
- Rinse with hot water and dry thoroughly.
- After rinsing, preseason the griddle by applying a light coat of cooking oil to the griddle and grill surfaces. Wipe off excess oil with a paper towel.
- Store in a cool, dry place

Griddle Precautions:

- If something has spilled under the griddle, it should be cleaned up as soon as possible to prevent the spill from getting baked onto the cooktop.
- Do not allow grease to accumulate under the griddle as it can be a fire hazard. Clean under the griddle with hot, soapy water as soon as it is cool.
- Do not wash your griddle in the dishwasher.

Exterior Surfaces

Be sure all controls are off and all surfaces are cool before cleaning any part of the range.



⚠ WARNING

If your range is removed for cleaning, servicing or any reason, be sure the anti-tip device is reengaged properly when the range is replaced. Failure to take this precaution could result in tipping of the range and can result in death or serious burns to children or adults.

NOTE: DO NOT allow stainless steel cleaner to come in contact with any plastic parts such as the control knobs or control panel. If unintentional contact of cleaners with plastic parts does occur, clean plastic part with a sponge and mild detergent mixed with warm water.

Control Knobs

The control knobs may be removed for easier cleaning. Make sure the knobs are in the **OFF** positions and pull them straight off the stems for cleaning. The knobs can be cleaned in a dishwasher or they may also be washed

with soap and water. Make sure the inside of the knobs are dry before replacing. Replace the knobs in the **OFF** position to ensure proper placement.

Control Panel

It's a good idea to wipe the control panel after each use. Clean with mild soap and water or vinegar and water, rinse with clean water and polish dry with a soft cloth. Do not use abrasive cleansers, strong liquid cleansers, plastic scouring pads or oven cleaners on the control panel - they will damage the finish.

If desired, the touch pads may be deactivated before cleaning. To lock or unlock the controls, press and hold the **Lock Control** pad for three seconds.

Oven Exterior Surfaces

Clean with a mild soap and water or a 50/50 solution of vinegar and water. Rinse with clean water and dry with a soft cloth. When cleaning surfaces, make sure that they are at room temperature. Spillage of marinades, fruit juices, tomato sauces and basting liquids containing acids may cause discoloration and should be wiped up

as soon as hot surfaces cool, then clean and rinse. For other spills such as fat splatterings, wash with soap and water after the surface has cooled. Rinse well.

Do not use commercial oven cleaners, cleaning powders, steel wool or harsh abrasives on any exterior surface.

Stainless Steel Surfaces (on some models)

Do not use a steel wool pad; it will scratch the surface. To clean the stainless steel surface, use warm sudsy water or a stainless steel cleaner or polish. Always wipe the surface in the direction of the grain. Follow the cleaner instructions for cleaning the stainless steel surface.

Cleaners with oxalic acid such as Bar Keepers Friend Soft Cleanser™ will remove surface rust, tarnish and small blemishes. Use only a liquid cleanser free of grit and rub in the direction of the brush lines with a damp, soft sponge. Wipe the appliance surface dry with a soft, clean cloth or microfiber towel to avoid streaking or water spotting and making sure to remove all cleaning residue.

Fingerprint Resistant Stainless Steel and Other Finishes (on some models)

DO NOT use stainless steel cleaners on fingerprint resistant stainless steel surfaces.

IMPORTANT: The use of incorrect products may damage the outer finish of Fingerprint Resistant Stainless and other finishes (i.e. white, black stainless, slate, etc.). Please follow these instructions and use

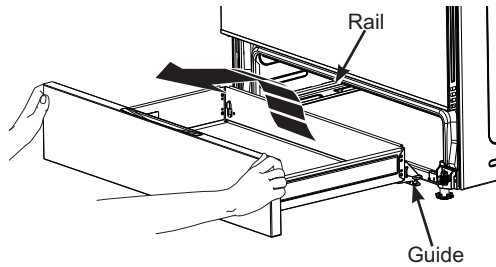
only the appropriate items below to clean your appliance surfaces. Clean interior/exterior surfaces with warm water, mild soap or detergent, and a soft or microfiber cloth to avoid damage. Wipe the appliance surface dry with a soft, clean cloth or microfiber towel to avoid streaking or water spotting and making sure to remove all cleaning residue.

Storage Drawer

The storage drawer is a good place to store cookware and bakeware. Do not store plastics or flammable material in the drawer. Most cleaning can be done with the drawer in place. However, the drawer may be removed if further cleaning is needed or to clean underneath the range. Use soap and warm water to thoroughly clean. Never use harsh abrasives or scouring pads.

Removing the Storage Drawer:

1. Pull the drawer straight out until it stops.
2. Tilt the front of the drawer upward and pull the drawer free of the range.



Replacing the Storage Drawer:

1. Center the storage drawer left to right and insert the drawer into the opening, setting the drawer guides on the rails.
2. Keep the drawer level and pull it towards yourself until you feel the drawer guides catch and settle on the rails.
3. Push the drawer closed.

Interior Surfaces

The interior of your new oven can be cleaned manually or by using the Steam Clean mode.

Spillage of marinades, fruit juices, tomato sauces and basting liquids containing acids may cause discoloration and should be wiped up as soon as safely possible. Let hot surfaces cool, then clean and rinse.

Manual Cleaning

Do not use oven cleaners (unless certified for use in a self-cleaning oven), abrasive cleaners, strong liquid cleansers, steel wool, scouring pads, or cleaning powders on the interior of the oven. Clean with a mild soap and water or a 50/50 solution of vinegar and water.

Rinse with clean water and dry with a soft cloth. When cleaning surfaces, make sure that they are at room temperature.

Steam Clean Mode

Steam clean is intended to clean small spills using water and a lower cleaning temperature than Self-Clean. The steam clean cycle is designed to sufficiently heat the water added to the oven bottom at the beginning of the steam clean cycle, so that it increases in temperature and can then condense onto food soils, softening them and making them easier to remove.

To use the Steam Clean feature, allow the oven to cool so that you can wipe grease and soils from the oven bottom and to avoid pouring cold water onto a hot oven

bottom to prevent possible thermal shock and enamel cracking. Pour 1/2 cup water into the bottom of the oven. Close the door.

Press the **Steam Clean** pad and then press **Start**. You should not open the door during the 30 minute steam clean as this will decrease the steam clean performance. Wipe out any excess water and any remaining soil.

NOTE: Water in the bottom of the oven may be hot right after finishing the cycle.

Oven Racks

All racks can be washed with warm, soapy water. All oven racks may be cleaned by hand with an abrasive cleaner or steel wool. Racks may be more difficult to slide after a Steam Clean.

Put some vegetable oil on a soft cloth or paper towel and rub onto the left and right edges of the racks.

NOTE: Using other cooking oils like peanut oil, Pam® or other lubricant sprays, will cause a discoloring or a rust like color residue on the racks and cavity sides. To clean this residue, use a soap and water or a vinegar and water solution. Rinse with clean water and dry with a soft cloth.

Oven Heating Elements

Do not clean the broil element. Any soil will burn off when the element is heated.

Porcelain Oven Interior

With proper care, the porcelain enamel finish on the inside of the oven - top, bottom, sides, back and inside of the door - will stay new-looking for years. Let the oven cool before cleaning. We recommend that you wear rubber gloves when cleaning the oven. Soap and water will normally do the job. Heavy spattering or spillovers may require cleaning with a mild abrasive cleaner. Soap-filled scouring pads may also be used. Do not allow food spills with a high sugar or acid content (such as tomatoes, sauerkraut, fruit juices or pie filling) to remain on the surface. They may cause a dull spot even after cleaning. Household ammonia may make the cleaning job easier. Place 1/2 cup in a shallow glass or pottery container in a cold oven overnight. The ammonia fumes will help loosen the burned-on grease and food. If necessary, you may use an oven cleaner that is certified for use in a self-cleaning oven. Follow the package directions.

- Do not spray oven cleaner on the electrical controls and switches because it could cause a short circuit and result in sparking or fire.
- Do not allow a film from the cleaner to build up on the temperature sensor - it could cause the oven to heat improperly. (The sensor is located at the top of the oven.) Carefully wipe the sensor clean after each oven cleaning, being careful not to move the sensor as a change in its position could affect how the oven bakes.
- Do not spray any oven cleaner on the oven door, handles or any exterior surface of the oven, cabinets or painted surfaces. The cleaner can damage these surfaces.

Interior Surfaces (Cont.)

Air Fry Basket (on some models)

The air fry basket can be washed with warm, soapy water or it may be cleaned in the dishwasher.

Do not use steel wool to clean the air fry basket since this may cause the stainless steel to rust.

EasyWash Oven Tray

Never use the oven without the EasyWash oven tray in place.

To avoid thermal shock and enamel cracking, allow the EasyWash oven tray to cool before immersing in cold water.

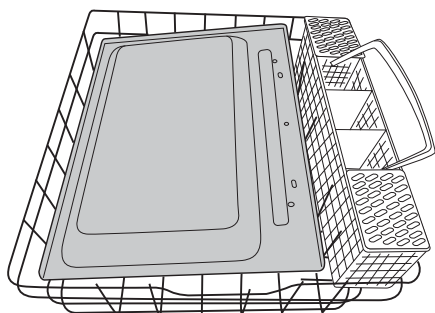
We recommend to wipe any loose or large debris from the EasyWash oven tray before removing from the oven to avoid spilling any debris on the area below the EasyWash oven tray.

Take care not to drop or knock the EasyWash oven tray against hard surfaces. It can damage the enamel and is not covered by the product warranty.

Parts that are visible when the EasyWash oven tray is removed will show discoloration due to heat. This does not require servicing or cleaning. Do not attempt to clean these components. This is expected with normal use, does not affect the performance of the unit and may change over time.

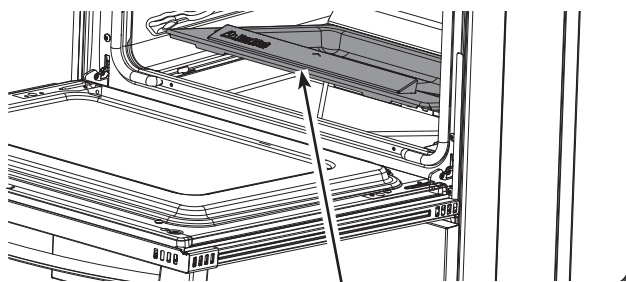
Handwashing the EasyWash oven tray is recommended to preserve the original appearance. For tough stains, soak the EasyWash oven tray in warm soapy water for 30 minutes before washing. Do not use harsh abrasive cleaners. Soft nylon scrub brushes, pads or scrapers are recommended. For more stubborn stains, a cleaner containing oxalic acid, such as Bar Keepers Friend™ Soft Cleanser, can be used. Be sure to thoroughly rinse off any excess cleaners. Failure to do so can cause changes in the surface appearance or damage the coating.

The EasyWash oven tray can be placed in the dishwasher, dirty side facing down and across the bottom rack as shown below. However, dishwasher detergents which are strongly alkaline and cycle selection may have an impact on the appearance of the EasyWash tray over time. This will not impair the performance of the oven.

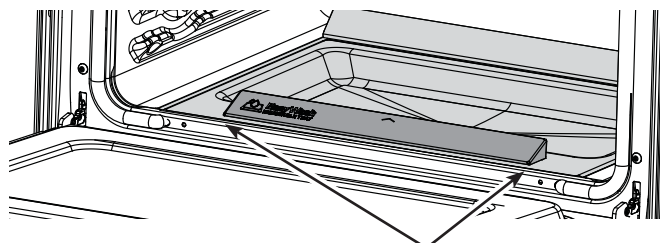


Make sure the EasyWash oven tray is fully dried before placing back in the oven.

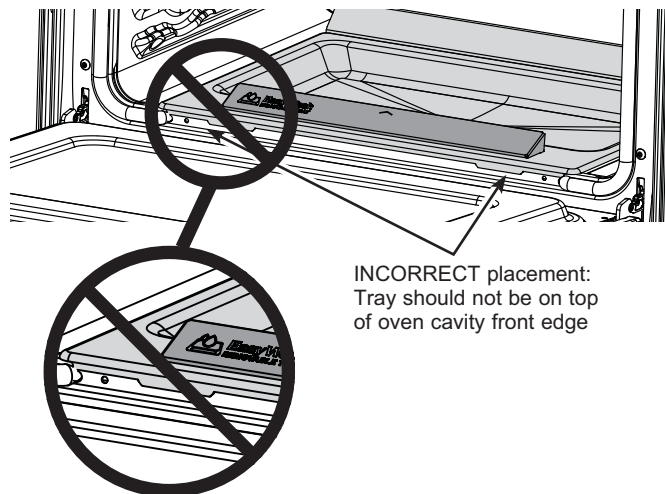
Orient the EasyWash oven tray in the product so that the writing on the integrated handle is facing forward towards the front of the product. Not orienting the EasyWash oven tray correctly when reinstalling could result in uneven oven heating and poor oven cooking performance.



CORRECT placement.
Handle is facing forward.



CORRECT placement.



INCORRECT placement:
Tray should not be on top of oven cavity front edge

The rear edge of the EasyWash oven tray should be pushed back into the slot of the rear bottom trim and the front edge of the tray should be inset in the oven cavity and set flush with the oven cavity front edge, not on top of it. The EasyWash oven tray should set level and not sloped backwards

Oven Door

The door is very heavy. Be careful when removing and lifting the door. Do not lift the door by the handle.

To Clean the Door Exterior and Interior

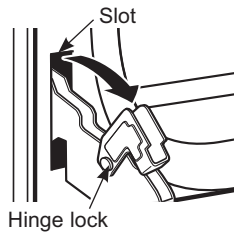
Use soap and water to thoroughly clean the top, sides and front of the oven door. Rinse well. You may also use a glass cleaner to clean the glass on the outside of the door. Do not let water drip into the vent openings, holes, or slots in the door.

- If a stain on the door vent trim is persistent, use a mild abrasive cleaner and a sponge-scrubber for best results. Do not use this method on any other surface.
- Spillage of marinades, fruit juices, tomato sauces and basting materials containing acids may cause discoloration and should be wiped up as soon as safely possible. When the surface is cool, clean and rinse.
- Do not use oven cleaners, cleaning powders or harsh abrasives on the outside of the door.

To remove the door:

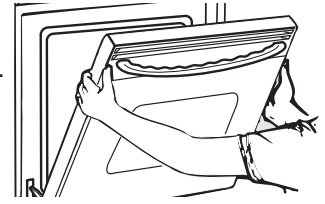
NOTE: Door removal is not a requirement for installation of the product but is an added convenience.

1. Fully open the door.
2. Pull the hinge locks down toward the door frame, to the unlocked position. A tool, such as a small flat-blade screwdriver, may be required.
3. Firmly grasp both sides of the door at the top.



Pull hinge locks down to unlock

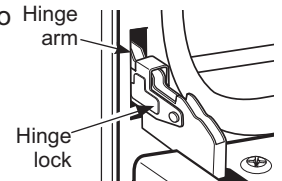
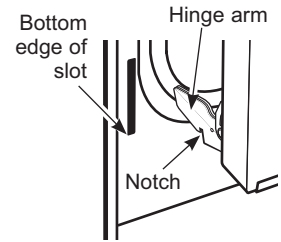
4. Close door to the door removal position. The door should be open approximately 3" with no obstruction above the door.
5. Lift door up and out until both hinge arms are clear of the slots in the range frame.



Removal position

To replace the door:

1. Firmly grasp both sides of the door at the top.
2. With the door at the same angle as the removal position, rest the notch in the bottom of the left hinge arm on the bottom edge of the left hinge slot. The notch in the hinge arm must be fully seated onto the bottom of the slot. Repeat for the right side.
3. Fully open the door. If the door will not fully open, the notches in the bottoms of the hinge arms are not seated correctly onto the bottom edge of the slot. Lift the door off the range and repeat the previous step.
4. Push the hinge locks down to the locked position.
5. Close the oven door.



Push hinge locks down to lock

Oven Light

⚠ WARNING SHOCK OR BURN HAZARD: Before replacing oven light bulb, disconnect the electrical power to the oven at the main fuse or circuit breaker panel. Failure to do so may result in electric shock or burn.

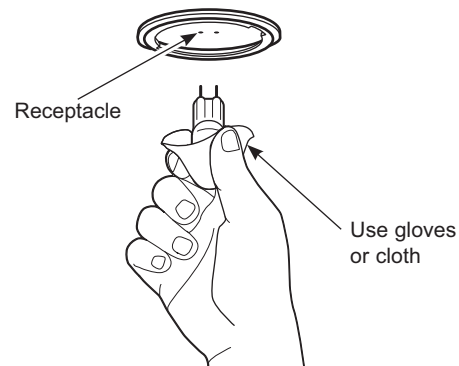
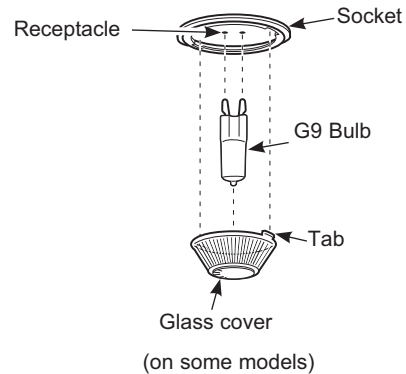
⚠ CAUTION BURN HAZARD: The glass cover and bulb should be removed when cool. Touching hot glass with bare hands or a damp cloth can cause burns.

To Remove the Light Bulb

1. Turn the glass cover counterclockwise until the glass is removed. Wearing latex gloves may offer a better grip.
2. Using gloves or a dry cloth, remove the bulb by pulling it straight out.

To Replace the Light Bulb

1. Use a new 120/130-volt halogen bulb, not to exceed 50 watts. Replace the bulb with the same type of bulb that was removed. Be sure the replacement bulb is rated 120 volts or 130 volts (NOT 12 volts) and has a G9 base.
2. Using gloves or a dry cloth, remove the bulb from its packaging. Do not touch the bulb with bare fingers. Oil from skin will damage the bulb and shorten its life.
3. Push the bulb straight into the receptacle all the way.
4. Replace the glass cover. For improved lighting inside the oven, clean the glass cover frequently using a wet cloth. This should be done when the oven is completely cool and the light is off.
5. Reconnect electrical power to the oven.


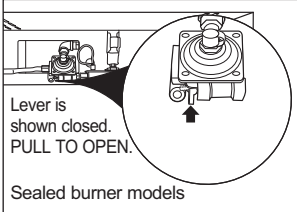


Troubleshooting Tips ... Before you call for service

Save time and money! Review the charts on the following pages first and you may not need to call for service. Check out self-help videos and FAQ at GEAppliances.com/support.

Problem	Possible Cause	What To Do
Food does not cook properly	Your new oven has a different cooking system from your old oven and therefore may cook differently than your old oven.	For the first few uses, follow your recipe times and temperatures carefully. If you still think your new oven is too hot or too cold, you can adjust the temperature yourself to meet your specific cooking preference. See the Settings section.
	Oven controls improperly set.	See the Cooking Modes section.
	Rack position is incorrect or rack is not level.	See the Cooking Modes section and Cooking Guide.
	Incorrect cookware or cookware of improper size being used.	See the Oven Cookware section.
	Oven temperature needs adjustment.	See the Settings section.
Cakes are lopsided/uneven	Ingredient substitution	Substituting ingredients can change the recipe outcome.
Cakes are lopsided/uneven	Unit was not properly leveled when installed	Level the oven. Reference the Installation Instructions for the unit.
Racks slide in or out on their own	Unit was not properly leveled when installed	Level the oven. Reference the Installation Instructions for the unit.
Food "runs" to one side of pan or griddle	Unit was not properly leveled when installed	Level the cooktop. Reference the Installation Instructions for the unit.
Sometimes the oven takes longer to preheat to the same temperature	Cookware or food in oven.	The cookware or food in the oven will cause the oven to take longer to preheat. Remove items to reduce preheat time.
	Number of racks in oven.	Adding more racks to the oven will cause the oven to take longer to preheat. Remove some racks.
	Using an extension rack instead of a flat rack	The extension rack is heavier than a flat rack and takes more energy to heat. This is normal. To decrease preheat time, use a flat rack.
	Different cooking modes.	The different cooking modes use different preheat methods to heat the oven for the specific cooking mode. Some modes will take longer than others.
Food does not broil properly	Oven controls improperly set.	Make sure you select the appropriate broil mode. See the Cooking Modes section.
	Improper rack position being used.	See Cooking Guide for rack location suggestions.
	Food being cooked in a hot pan.	Make sure cookware is cool.
	Cookware not suited for broiling.	Use a pan specifically designed for broiling.
	Aluminum foil used on the broiling pan and grid has not been fitted properly and slit as recommended.	If using aluminum foil conform to pan slits.
Excessive smoking during broiling	Food too close to the broil burner and element	Lower the rack position of the food.
Strong odor	An odor from the insulation around the inside of the oven is normal for the first few times the oven is used.	This is temporary and will go away after several uses or run a Bake 500 and/or Broil Hi for 45 minutes.
Display is blank and the oven does not work or respond	A fuse in your home may be blown or the circuit breaker tripped.	Replace the fuse or reset the circuit breaker.
	Plug on range is not completely inserted in the electrical outlet.	Make sure electrical plug is plugged into a live, properly grounded outlet.
Display is blank	The clock is turned off.	See the Settings section.

Troubleshooting Tips ... Before you call for service

Problem	Possible Cause	What To Do
Oven control does not respond	Oven is in Sabbath Mode.	Verify that the oven is not in Sabbath Mode. See the Sabbath Mode section.
	Lock Controls is activated	If Loc appears in the display and  is illuminated, the range control is locked. Turn this feature off to use the range. See the Lock Control feature in the Oven Controls section.
Display flashes	Power outage or surge	Reset the clock. If the oven was in use, you must reset it by pressing the Cancel pad, setting the clock and resetting any cooking function.
Unable to get into Settings	Oven control pads were not touched properly.	The Bake and Broil pads must be touched at the same time and held for 3 seconds.
Control beeps or flashes	You forgot to enter a bake temperature or cleaning time.	See the Oven Controls section on how to set the oven
Fan noise	A convection fan may automatically turn on and off.	This is normal. While in use, the convection fan and oven heaters will cycle on and off as needed to maintain appropriate cooking conditions.
Surface burners light but bake and broil burners do not.	Gas to the oven burners may have been shut off.	 <p>The oven gas shut-off is located on the gas regulator near the gas line attachment to your range. Locate it and flip the lever.</p>
“Crackling” or “popping” sound	This is the sound of the metal heating and cooling during both the cooking and cleaning functions.	This is normal.
Why is my range making a “clicking” noise when using my oven?	Your range cycles the heating elements by turning relays on and off to maintain the oven temperature.	This is normal.
Oven light does not work	Light bulb is loose or defective.	Tighten or replace bulb. See the Care and Cleaning - Interior Surfaces / Oven Light section for instructions on how to replace the bulb.
	Pad operating light is broken.	Call for service.
Oven racks are difficult to slide	Dirty cavity and/or flat racks that need cleaning and lubrication	See the Care and Cleaning – Interior Surfaces section.
Steam from the vent	When using the ovens, it is normal to see steam coming out of the oven vents. As the number of racks or amount of food being cooked increases, the amount of visible steam will increase.	This is normal.
Water remaining on oven floor after Steam Clean cycle	This is normal.	Remove any remaining water with a dry cloth or sponge.
There is no steam during the steam clean cycle	This is normal.	See the Care and Cleaning - Interior Surfaces section.
Oven will not steam clean	Oven controls improperly set	See the Care and Cleaning – Interior Surfaces section.
	Oven door is not closed.	Make sure you close the door to start steam clean cycle and do not open the door during the cycle. See the Care and Cleaning - Interior Surfaces section.
EasyWash oven tray will not fit properly	EasyWash oven tray not installed correctly	Orient the EasyWash Oven Tray in the product so that the integrated handle is facing forward towards the front of the product. See the Care and Cleaning - Interior Surfaces section for more details.

Troubleshooting Tips ... Before you call for service

Problem	Possible Cause	What To Do
“F— and a number or letter” appear or flash in the display	You have a function error code.	Press the Cancel pad. Allow the oven to cool and then put the oven back into operation.
	If the function code repeats.	Press the Cancel pad. Disconnect all power to the oven for at least 30 seconds and then reconnect power. If the function error code repeats again, call for service.
Oven will not work remotely	Router issues, no wireless signal, etc.	Check with your internet provider or your wireless router to ensure there are no issues.
	Your oven is not connected to your new router but is still connected to your old router.	Disconnect your oven and reconnect to the new router. See the Connecting to Wi-Fi section to reconnect your oven.
	Oven is not connected.	See the Connecting to Wi-Fi section.
	Wi-Fi board is off.	Turn the Wi-Fi board on. See the Settings section.
	Remote enable is off.	Turn remote enable on. See the Settings section.
My oven door glass appears to be "tinted" or have a "rainbow" color.	The inner oven glass is coated with a heat barrier to reflect the heat back into the oven to prevent heat loss and keep the outer door cool while baking.	This is normal. Under certain light or angles, you may see this tint or rainbow color.
Oven door is crooked	The door is out of position.	Because the oven door is removable, it sometimes gets out of position during installation. To straighten the door, re-install the door. See the Care and Cleaning – Exterior Surfaces – Oven Door section.
Drawer does not slide smoothly or drags	The drawer is out of alignment	Fully extend the drawer and push it all the way in See the Care and Cleaning – Exterior Surfaces – Storage Drawer section.
	Drawer is over-loaded or load is unbalanced.	Reduce weight. Redistribute drawer contents.
Storage drawer won't close	Rear drawer support is on top of the guide rail.	Reposition the drawer. See the See the Care and Cleaning – Exterior Surfaces – Storage Drawer section.
Surface units will not maintain a rolling boil or cooking is not fast enough	Burner size is too small for the cookware	The flame size on a burner should match the size of the cookware being used. See the Gas Cooktop - Selecting a Flame Size section
	Flame size is too large for the cookware	The flame size on a burner should match the size of the cookware being used. Flames larger than the bottom of the cookower may be hazardous. See the Gas Cooktop - Selecting a Flame Size section
	In some areas the heating value of the gas may be low	Cover pan with a lid until desired heat is obtained.

Troubleshooting Tips ... Before you call for service

Problem	Possible Cause	What To Do
Burners do not light	Plug on range is not completely inserted in the electrical outlet.	Make sure electrical plug is plugged into a live, properly grounded outlet.
	Gas supply not connected or turned on.	See the Installation Instructions that came with your range.
	A fuse in your home may be blown or the circuit breaker tripped.	Replace the fuse or reset the circuit breaker.
	Burner parts not replaced correctly.	See the Care and Cleaning – Exterior Surfaces section.
	Burner slots near the electrode, or the round lighter port on the oval burner, may be clogged.	Remove the burners and clean them. Check the electrode area for burned-on food or grease. See the Care and Cleaning - Exterior Surfaces section.
	Food residue on electrode or in the orifice.	Lightly polish flat tip of electrode with nail file or sandpaper until shiny or clean the area around the electrode. See the Care and Cleaning Cooktop Surfaces
Top burners do not burn evenly	Improper burner assembly.	Make sure the burner caps are seated correctly. See the Care and Cleaning – Cooktop Surfaces - Replacing the Surface Burners section.
	Burner slots on the side of the burner may be clogged.	Remove the burners for cleaning. See the Care and Cleaning – Cooktop Surfaces - Cleaning the Burner Heads section.
Burner flames are very large or yellow	Improper air to gas ratio.	If range is connected to propane or butane gas, contact the technician who installed your range or made the conversion.
Burner flames are orange	High humidity	This is normal in high humidity conditions. Use a dehumidifier to reduce the humidity in the room.

GE Appliances Gas Range Limited Warranty

GEAppliances.com

All warranty service is provided by our Factory Service Centers, or an authorized Customer Care® technician. To schedule service online, visit us at GEAppliances.com/service, or call GE Appliances at 800.GE.CARES (800.432.2737). Please have your serial number and your model number available when calling for service.

Servicing your appliance may require the use of the onboard data port for diagnostics. This gives a GE Appliances factory service technician the ability to quickly diagnose any issues with your appliance and helps GE Appliances improve its products by providing GE Appliances with information on your appliance. If you do not want your appliance data to be sent to GE Appliances, please advise your technician not to submit the data to GE Appliances at the time of service.

For the period of	GE Appliances will replace
One year From the date of the original purchase	Any part of the range which fails due to a defect in materials or workmanship. During this limited one-year warranty , GE Appliances will provide, free of charge , all labor and in-home service to replace the defective part.

What GE Appliances will not cover:

- Service trips to your home to teach you how to use the product.
- Improper installation, delivery or maintenance.
- Failure of the product if it is abused, misused, modified or used for other than the intended purpose or used commercially.
- Replacement of house fuses or resetting of circuit breakers.
- Damage to the product caused by accident, fire, floods or acts of God.
- Damage to finish, such as surface rust, tarnish, or small blemishes not reported within 48 hours of delivery.
- Incidental or consequential damage caused by possible defects with this appliance.
- Damage caused after delivery.
- Product not accessible to provide required service.
- Service to repair or replace light bulbs, except for LED lamps.

EXCLUSION OF IMPLIED WARRANTIES

Your sole and exclusive remedy is product repair as provided in this Limited Warranty. Any implied warranties, including the implied warranties of merchantability or fitness for a particular purpose, are limited to one year or the shortest period allowed by law.

This limited warranty is extended to the original purchaser and any succeeding owner for products purchased for home use within the USA. If the product is located in an area where service by a GE Appliances Authorized Servicer is not available, you may be responsible for a trip charge or you may be required to bring the product to an Authorized GE Appliances Service location for service. In Alaska, the limited warranty excludes the cost of shipping or service calls to your home.

Some states do not allow the exclusion or limitation of incidental or consequential damages. This limited warranty gives you specific legal rights, and you may also have other rights which vary from state to state. To know what your legal rights are, consult your local or state consumer affairs office or your state's Attorney General.

Warrantor: GE Appliances, a Haier company

Louisville, KY 40225

Extended Warranties: Purchase a GE Appliances extended warranty and learn about special discounts that are available while your warranty is still in effect. You can purchase it online anytime at

GEAppliances.com/extended-warranty

or call 800.626.2224 during normal business hours. GE Appliances Service will still be there after your warranty expires.

Staple your receipt here. Proof of the original purchase date is needed to obtain service under the warranty.

Accessories

Looking For Something More?

GE Appliances offers a variety of accessories to improve your cooking and maintenance experiences!

Refer to the Consumer Support page for phone numbers and website information.

The following products and more are available:

Accessories

Small Broiler Pan (8 ¾" x 1 ¼" x 13 ½")

Large Broiler Pan (12 ¾" x 1 ¼" x 16 ½")

XL Broiler Pan (17" x 1 ¼" x 19 1/4")

Cast Iron Griddle/Grill

Parts

Oven racks

Oven elements

Light bulbs

Cleaning Supplies

CitruShine™ Stainless Steel Wipes

Stainless Steel Appliance Cleaner

Non-scratch Cleaning Pads for Ceramic Cooktops

Ceramic Cooktop Cleaner

Ceramic Cooktop Scraper

Kit (Kit includes cream and cooktop scraper)

*The large broiler pan does not fit in 20"/24" ranges.

** The XL broiler pan does not fit in 24" wall ovens, 27" drop-ins or 20"/24" range.

NOTE: Go to GE Appliances website to view recommended cleaners.

Consumer Support

GE Appliances Website

Have a question or need assistance with your appliance? Try the GE Appliances Website 24 hours a day, any day of the year! You can also shop for more great GE Appliances products and take advantage of all our on-line support services designed for your convenience. In the US: GEAppliances.com

Register Your Appliance

Register your new appliance on-line at your convenience! Timely product registration will allow for enhanced communication and prompt service under the terms of your warranty, should the need arise. You may also mail in the pre-printed registration card included in the packing material. In the US: GEAppliances.com/register

Schedule Service

Expert GE Appliances repair service is only one step away from your door. Get on-line and schedule your service at your convenience any day of the year. In the US: GEAppliances.com/service or call 800.432.2737 during normal business hours.

Extended Warranties

Purchase a GE Appliances extended warranty and learn about special discounts that are available while your warranty is still in effect. You can purchase it on-line anytime. GE Appliances Services will still be there after your warranty expires. In the US: GEAppliances.com/extended-warranty or call 800.626.2224 during normal business hours.

Remote Connectivity

For assistance with wireless network connectivity (for models with remote enable), visit our website at GEAppliances.com/connect or call 800.220.6899 in the US.

Parts and Accessories

Individuals qualified to service their own appliances can have parts or accessories sent directly to their homes (VISA, MasterCard and Discover cards are accepted). Order on-line today 24 hours every day. In the US: GEApplianceparts.com or by phone at 877.959.8688 during normal business hours.

Instructions contained in this manual cover procedures to be performed by any user. Other servicing generally should be referred to qualified service personnel. Caution must be exercised, since improper servicing may cause unsafe operation.

Contact Us

If you are not satisfied with the service you receive from GE Appliances, contact us on our Website with all the details including your phone number, or write to:

In the US: General Manager, Customer Relations | GE Appliances, Appliance Park | Louisville, KY 40225
GEAppliances.com/contact



ESTUFAS a Gas

INFORMACIÓN DE SEGURIDAD 3

USO DEL ELECTRODOMÉSTICO

Conexión a Wi-Fi 8

Controles del Horno. 9

Configuraciones 10

Modo Sabático 12

Superficie de Cocción a Gas 13

Utensilio para Placa de Cocción 14

Plancha. 15

Modos de Cocción del Horno. 16

Utensilios de Cocina para Horno. 17

Guía de Cocción al horno 18

Guía de Cocción para Freír con Aire. 19

Guía de Cocción para Recalentar 20

Papel de Aluminio y Cobertores del Horno. 21

Estantes del Horno. 21

Ventilaciones de Aire del Horno 21

CUIDADO Y LIMPIEZA

Superficie de Cocción - Gas. 22

Superficies Exteriores 24

Cajón de Almacenamiento 25

Superficies Interiores 26

Puerta del Horno 28

Luz del Horno 29

CONSEJOS PARA LA SOLUCIÓN DE PROBLEMAS 30

GARANTÍA LIMITADA. 34

ACCESORIOS. 35

SOPORTE PARA EL CONSUMIDOR 36

MANUAL DEL PROPIETARIO

Serie 600

ESPAÑOL

Escriba los números de modelo y de serie aquí:

Nº de Modelo _____

Nº de Serie _____

Los encontrará en una etiqueta detrás de la puerta o del cajón.

GRACIAS POR HACER QUE GE APPLIANCES SEA PARTE DE SU HOGAR.

Ya sea que haya crecido usando GE Appliances, o que ésta sea la primera vez, nos complace tenerlo en la familia.

Sentimos orgullo por el nivel de arte, innovación y diseño de cada uno de los electrodomésticos de GE Appliances, y creemos que usted también. Entre otras cosas, el registro de su electrodoméstico asegura que podamos entregarle información importante del producto y detalles de la garantía cuando los necesite.

Registre su electrodoméstico GE ahora a través de Internet. Sitios Web y números telefónicos útiles están disponibles en la sección de Soporte para el Consumidor de este Manual del Propietario.

También puede enviar una carta en la tarjeta de inscripción preimpresa que se incluye con el material embalado.



GE APPLIANCES

INFORMACIÓN IMPORTANTE DE SEGURIDAD

LEA TODAS LAS INSTRUCCIONES ANTES DE USAR ESTE ELECTRODOMÉSTICO

⚠ ADVERTENCIA Lea todas las instrucciones de seguridad antes de utilizar este producto. No seguir estas instrucciones puede generar un incendio, una descarga eléctrica, lesiones corporales o la muerte.

⚠ ADVERTENCIA Si la información de este manual no se sigue exactamente, se podrá producir un incendio o explosión, ocasionando daños sobre la propiedad, lesiones o la muerte.

- No guarde ni use gasolina u otros vapores inflamables y líquidos cerca de este ni de otros electrodomésticos.
- **QUÉ DEBE HACER SI HUELE GAS**
 - No intente encender ningún electrodoméstico.
 - No toque ningún interruptor eléctrico; no use teléfonos en su edificio.
 - De inmediato llame a su proveedor de gas desde el teléfono de un vecino. Siga las instrucciones del proveedor de gas.
 - Si no se puede comunicar con su proveedor de gas, llame al departamento de bomberos.
- La instalación y las reparaciones deberán ser realizadas por un instalador calificado, agencia de servicios o el proveedor de gas.

⚠ ADVERTENCIA Nunca opere la sección de cocción de superficie superior de este electrodoméstico sin supervisión.

- No seguir esta advertencia podrá resultar en incendio, explosión, o riesgos de quemaduras que podrán ocasionar daños sobre la propiedad, lesiones personales o la muerte.
- Si se produce un incendio, manténgase alejado del electrodoméstico y de inmediato llame al departamento de bomberos.

NO INTENTE EXTINGUIR CON AGUA UN INCENDIO PRODUCIDO CON COMBUSTIBLE/ GRASA.

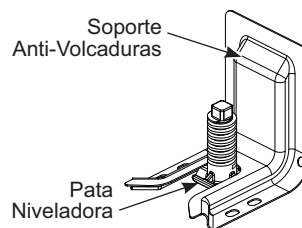
DISPOSITIVO ANTI-VOLCADURAS



⚠ ADVERTENCIA

Riesgo de Caída

- Un niño o adulto pueden volcar la estufa y morir.
- Instale el soporte anti-volcaduras sobre la pared o el piso.
- Asegúrese la estufa al soporte anti-volcaduras deslizando la unidad hacia atrás de tal manera que la pata niveladora sea enganchada.
- Vuelva a adherir el soporte anti-volcaduras si la estufa se mueve de lugar.
- Si esto no se hace, se podrá producir la muerte o quemaduras graves en niños o adultos.



Estufas Sin Apoyo y Deslizables

Para reducir el riesgo de volcar la estufa, ésta debe sujetarse mediante un soporte anti-volcaduras con una adecuada instalación. Ver las instrucciones de instalación enviadas con el soporte para obtener detalles completos antes de iniciar la instalación.

Retire cualquier soporte antivolcaduras actualmente instalado y realice la instalación del soporte provisto con esta unidad.

Para comprobar si el soporte es instalado y ajustado de forma apropiada, mire que debajo de la estufa la pata niveladora trasera esté ajustada al soporte. En algunos modelos, el cajón de almacenamiento o el panel de protección se pueden retirar para una fácil inspección. Si no es posible realizar una inspección visual,

deslice la estufa hacia adelante, confirme que el soporte anti-volcaduras esté ajustado de forma segura al piso o la pared, y deslice la estufa hacia atrás de modo que la pata niveladora trasera se encuentre debajo del soporte anti-volcaduras.

Si la estufa es retirada para su limpieza, servicio técnico o cualquier otra razón, asegúrese de que el dispositivo anti volcaduras vuelva a ser colocado de forma correcta cuando la estufa sea instalada nuevamente. Si no se toma esta precaución, se podrán producir caídas de la estufa y ocasionar la muerte o quemaduras graves en niños o adultos. Nunca quite las patas de nivelación por completo ya que la estufa no quedará bien sujeta al dispositivo anti-volcaduras.

LEA Y GUARDE ESTAS INSTRUCCIONES

INFORMACIÓN IMPORTANTE DE SEGURIDAD

LEA TODAS LAS INSTRUCCIONES ANTES DE USAR ESTE ELECTRODOMÉSTICO

▲ ADVERTENCIA INSTRUCCIONES GENERALES DE SEGURIDAD

▲ ADVERTENCIA NUNCA use este electrodoméstico para calentar el ambiente. Como consecuencia de esto, se podrá producir envenenamiento con monóxido de carbono y el sobrecalentamiento del horno.

- Use este aparato sólo con el objetivo para el que fue creado, como se describe en este Manual del Propietario.
- Su estufa se envía con la configuración de fábrica para uso con gas natural. Puede ser convertida para uso con gas propano (LP).
- Si se requieren, estos ajustes deberán ser realizados por un técnico calificado de acuerdo con las instrucciones de instalación y códigos locales. La agencia que realiza este trabajo asume la responsabilidad de la conversión. Solicite que el instalador le muestre la ubicación de la válvula de cierre de la estufa a gas y cómo apagarla en caso de ser necesario.
- Solicite que un instalador calificado instale su estufa y que esté adecuadamente conectada a tierra, de acuerdo con las instrucciones de instalación provistas.
- Cualquier ajuste, reparación o servicio técnico no recomendado específicamente en este manual deberá ser realizado SÓLO por un instalador o técnico del servicio con calificación en estufas.
- Antes de realizar cualquier clase de reparación, desenchufe la estufa o desconecte el suministro eléctrico desde el panel de distribución doméstico quitando el fusible o desconectando el interruptor de circuitos.
- Si el elemento calefactor del horno desarrolla un punto brillante o muestra otros signos de daño, no utilice dicha área de la estufa. Un punto brillante indica que el elemento puede fallar y presentar una posible quemadura, incendio o descarga eléctrica. Apague el elemento calefactor inmediatamente de inmediato y solicite a un técnico calificado del servicio que reemplace el mismo.
- Asegúrese de que todos los materiales de embalaje sean retirados de la estufa antes de su uso, a fin de evitar que estos materiales se incendien.
- Evite rayar o impactar las pantallas de vidrio y las puertas. Hacer esto podrá producir la rotura de vidrios.
- No cocine sobre un producto con un vidrio roto. Se podrán producir descargas, incendios o cortes.
- No deje a los niños solos o sin atención en un área donde un aparato esté en uso. Nunca debe permitirse que se suban, sienten o paren en cualquier parte de este aparato.
- **▲ PRECAUCIÓN** No almacene artículos de interés para los niños en los gabinetes que estén sobre o en la parte superior de una estufa; si los niños se trepan sobre el horno para alcanzar estos artículos podrán sufrir lesiones graves.
- No permita que nadie se trepe, pare o cuelgue de la puerta del horno, del cajón o la superficie de cocción. Se podrá dañar la estufa o provocar su caída, ocasionando lesiones graves o la muerte.
- Nunca bloquee las ventilaciones (aberturas de aire) de la estufa. Las mismas brindan las entradas y salidas de aire que son necesarias para que la estufa funcione de forma correcta con la combustión adecuada. Las aberturas de aire se encuentran ubicadas en la parte trasera de la estufa, en la parte superior e inferior de la puerta del horno, y en la parte inferior de la estufa.
- Sólo use agarraderas secas: las agarraderas húmedas o mojadas colocadas en superficies calientes pueden provocar quemaduras de vapor. No permita que las agarraderas tengan contacto con las unidades de la superficie ni con los elementos para calentar del horno. No utilice toallas u otras telas gruesas en lugar de una agarradera.
- No toque los elementos calefactores ni la superficie interior del horno. Estas superficies pueden estar lo suficientemente calientes para quemar aún cuando tengan un color oscuro.
- Durante y después del uso, no toque ni permita que telas u otros materiales inflamables toquen cualquier área interior del horno; espere hasta que haya pasado un tiempo suficiente hasta que se enfríen. Otras superficies del electrodoméstico se podrán calentar lo suficiente como para ocasionar quemaduras. Las superficies potencialmente calientes incluyen quemadores, parrillas, superficie de cocción, abertura de la ventilación del horno, superficies cercanas a la abertura, grietas alrededor de la puerta del horno, piezas con marcos metálicos por encima de la puerta, cualquier protección trasera, o la superficie de un estante alto.
- No use ningún tipo de aluminio o cobertor para cubrir el fondo del horno o cualquier parte del horno, excepto como se describe en este manual. Los cobertores de horno pueden atrapar el calor o derretirse, ocasionando daños sobre el producto y el riesgo de descargas, humo o incendios.
- No caliente recipientes cerrados de alimentos. Podría haber una acumulación de presión en el recipiente y éste podría explotar, provocando lesiones.
- Cocine la comida completamente para ayudar a protegerlos contra enfermedades transmitidas por alimentos. El USDA y la FDA brindan las recomendaciones de temperatura mínima para una comida segura. Utilice un termómetro para tomar la temperatura de la comida y haga controles en diferentes ubicaciones.
- Mantenga limpia la campana del ventilador y los filtros de grasa, a fin de conservar una buena ventilación y de evitar incendios con grasa. En caso de incendio, apague el ventilador. Si el extractor se encuentra en funcionamiento, éste podrá esparcir las llamas.

LEA Y GUARDE ESTAS INSTRUCCIONES

INFORMACIÓN IMPORTANTE DE SEGURIDAD

LEA TODAS LAS INSTRUCCIONES ANTES DE USAR ESTE ELECTRODOMÉSTICO

▲ADVERTENCIA MANTENGA LOS MATERIALES INFLAMABLES ALEJADOS DE LA ESTUFA

- No almacene o utilice materiales inflamables dentro de un horno o cerca de la estufa, tales como papel, plástico, agarraderas, telas, recubrimientos de pared, cortinas y gasolina u otros vapores y líquidos inflamables.
- Nunca use vestimentas holgadas o amplias mientras utilice el aparato. Estas vestimentas pueden prenderse fuego si entran en contacto con superficies calientes, provocando quemaduras graves.
- No permita que la grasa de la cocción u otros materiales inflamables se acumulen dentro de la estufa o en su cercanía. La grasa dentro del horno o sobre la estufa puede encenderse.
- No guarde materiales inflamables ni ítems sensibles a la temperatura dentro del electrodoméstico.
- Limpie las campanas de ventilación de forma frecuente. No se debe permitir la acumulación de grasa en la campana o el filtro.
- **Funcionamiento Remoto** - Este electrodoméstico se puede configurar para permitir un funcionamiento remoto en cualquier momento.

▲ADVERTENCIA EN CASO DE INCENDIO, SIGA LOS SIGUIENTES PASOS PARA EVITAR LA PROPAGACIÓN DEL FUEGO

- No utilice agua en incendios de grasa. Nunca levante una sartén en llamas. Apague los controles. Apague una sartén en llamas sobre una unidad de superficie cubriendo la sartén por completo con una tapa que ajuste bien, una plancha para galletas o una bandeja plana. Utilice un químico seco multiuso o un extintor de incendios de espuma.
- Si hay un incendio en el horno durante el horneado, apáguelo cerrando la puerta del horno y apagando el control o usando un químico seco multiuso o un extintor de incendios de espuma.

▲ADVERTENCIA INSTRUCCIONES DE SEGURIDAD DE LA ESTUFA

- NUNCA opere la sección de cocción de la superficie superior de este electrodoméstico sin supervisión. Los hervores excesivos podrán generar vapores y derrames de grasa que se pueden incendiar. No seguir esta advertencia podrá resultar en incendio, explosión, o riesgos de quemaduras que podrán ocasionar daños sobre la propiedad, lesiones personales o la muerte.
- Las comidas, especialmente las comidas con aceite, se pueden incendiar, lo cual podrá ocasionar un incendio que se propague a los gabinetes próximos. Si se produce un incendio, manténgase alejado del electrodoméstico y de inmediato llame al departamento de bomberos.
- Nunca deje aceite sin atención mientras fríe. Si se deja calentar más allá del punto de humeo, el aceite puede encenderse, provocando un incendio que podría propagarse a los gabinetes cercanos. NO INTENTE EXTINGUIR CON AGUA UN INCENDIO PRODUCIDO CON ACEITE/ GRASA.
- Use un termómetro para grasas profundas siempre que sea posible, a fin de monitorear la temperatura del aceite. Para evitar el derrame de aceite y un incendio, utilice una cantidad mínima de aceite cuando fría en sartenes poco profundas y evite la cocción de alimentos congelados con una cantidad excesiva de hielo.
- Use charolas de un tamaño adecuado para evitar que sean inestables o que sufran caídas fácilmente. Las llamas del quemador se deberán ajustar de modo que no se extiendan más allá de la parte inferior de la charola. Una cantidad excesiva de llama puede representar un riesgo.
- Siempre use la posición LITE al encender los quemadores superiores y asegúrese de que estos se hayan encendido.
- A fin de minimizar la posibilidad de quemaduras, incendio de materiales inflamables y derrames, la manija de un envase deberá ser inclinada hacia el centro de la estufa sin que se extienda sobre las unidades de las superficies cercanas.
- No use un wok con un anillo con soporte de metal redondo. El anillo podrá atrapar calor y bloquear el aire hacia el quemador, produciendo el riesgo de emisión de monóxido de carbono.
- No intente elevar la superficie de cocción. Hacer esto podrá dañar la tubería de gas hasta los quemadores de la superficie de cocción, ocasionando una pérdida de gas y riesgo de incendio.

LEA Y GUARDE ESTAS INSTRUCCIONES

INFORMACIÓN IMPORTANTE DE SEGURIDAD

LEA TODAS LAS INSTRUCCIONES ANTES DE USAR ESTE ELECTRODOMÉSTICO

▲ADVERTENCIA INSTRUCCIONES DE SEGURIDAD DE LA ESTUFA

- No use papel de aluminio para cubrir las parrillas o el revestimiento de cualquier parte de la placa de cocción. Hacer esto podrá producir envenenamiento con monóxido de carbono, sobrecalentamiento de la superficie de cocción, o un posible riesgo de incendio.
- Sólo ciertos tipos de vidrio, vidrio/cerámico, artículos de loza u otros recipientes de vidrio son aptos para su uso en la superficie de cocción; otros se podrán romper debido a un cambio brusco de temperatura.
- Si flambea alimentos bajo la campana, encienda el ventilador.
- No coloque ni guarde artículos que se puedan derretir o incendiar en la placa de cocción, incluso cuando ésta no se encuentre en uso. Si la placa de cocción se enciende de forma accidental, dichos productos se podrán incendiar. El calor de la placa de cocción o de la ventilación del horno luego de que éste fue apagado podrán hacer que dichos productos se incendien también.

▲ADVERTENCIA INSTRUCCIONES DE SEGURIDAD DEL HORNO

- NUNCA cubra ninguna ranura, agujeros o conductos en el fondo del horno ni cubra toda una parrilla con materiales tales como papel de aluminio o revestimientos para horno. Hacer esto bloqueará la circulación del aire a través del horno y podrá ocasionar envenenamiento con monóxido de carbono. Nunca coloque papel de aluminio ni revestimientos para horno sobre el fondo del horno. Estos podrán atrapar el calor, ocasionando riesgos de humo o incendio.
- Manténgase alejado del horno al abrir la puerta del mismo. El aire caliente o el vapor que sale puede causar quemaduras en las manos, rostro y/u ojos.
- Mantenga desobstruida la ventilación del horno.
- Nunca coloque los utensilios de cocina, piedras para pizza u horneado o cualquier otro tipo de aluminio o cobertor en la base del horno. Estos artículos pueden atrapar el calor o derretirse, ocasionando daños sobre el producto y el riesgo de descargas, humo o incendios.
- Coloque los estantes del horno en la ubicación deseada mientras éste se encuentra frío. Si es necesario mover el estante mientras el horno está caliente, tenga cuidado de evitar tocar superficies calientes y evite que el mango de la olla tenga contacto con el elemento calentador en el horno.
- No deje productos tales como papel, utensilios de cocina ni comida en el horno cuando éste no se encuentre en uso. Los artículos guardados en el horno se pueden incendiar.
- No deje artículos sobre la superficie de cocción cerca de la ventilación del horno. Los artículos se podrán sobrecalentar, y existe el riesgo de incendio o quemaduras.
- Nunca ase con la puerta abierta.
- Mantenga el horno libre de acumulación de grasa. La grasa del horno se puede incendiar.
- Al usar las bolsas para cocinar o dorar en el horno, siga las instrucciones del fabricante.
- **PELIGRO DE DESCARGA O QUEMADURAS:** Antes de reemplazar la bombilla de luz del horno, desconecte la conexión eléctrica del horno en el panel de fusibles principal o disyuntor. Si esto no se cumple, se podrá producir una descarga eléctrica o un incendio.
- **▲PRECAUCIÓN PELIGRO DE QUEMADURAS:** La tapa de vidrio y la bombilla de luz se deberán retirar cuando estén frías. Tocar el vidrio caliente sin protección en las manos o con una tela húmeda podrá ocasionar quemaduras.

LEA Y GUARDE ESTAS INSTRUCCIONES

INFORMACIÓN IMPORTANTE DE SEGURIDAD

LEA TODAS LAS INSTRUCCIONES ANTES DE USAR ESTE ELECTRODOMÉSTICO

▲ ADVERTENCIA EQUIPO DE ACCESO REMOTO INSTALADO

Este dispositivo cumple con la Parte 15 de la Normativa de la FCC. Su funcionamiento está sujeto a las dos condiciones siguientes:

(1) Este dispositivo no deberá causar interferencias nocivas, y (2) este dispositivo deberá aceptar cualquier interferencia recibida, incluyendo interferencias que puedan generar un funcionamiento no deseado. El equipo de comunicación inalámbrica instalado en esta estufa fue probado y cumple con los límites establecidos para un dispositivo digital de Clase B, de acuerdo con la parte 15 de la Normativa de la FCC.

Estos límites fueron diseñados para:

(a) brindar una protección razonable contra interferencias nocivas en una instalación residencial. Este equipo genera, usa y puede emitir energía de radiofrecuencia y, si no se instala y utiliza de acuerdo con las instrucciones, puede ocasionar interferencias perjudiciales en las comunicaciones de radio. Sin embargo, no se garantiza que no se presenten interferencias en una instalación en particular. Si el equipo

provoca interferencias perjudiciales para la recepción de radio o televisión, lo cual puede comprobar encendiendo y apagando el equipo, se aconseja al usuario que intente corregir la interferencia con una de las siguientes medidas:

- Reoriente o reubique la antena receptora.
- Aumente la separación entre el equipo y el receptor.
- Conecte el equipo a un tomacorriente de un circuito diferente del tomacorriente al que se encuentra conectado el receptor.
- Para solicitar ayuda, consulte con el proveedor minorista o a un técnico experimentado de radio/ TV.

(b) tolerar cualquier interferencia recibida, incluyendo las interferencias que puedan provocar un funcionamiento no deseado del dispositivo. Observe que todos los cambios o modificaciones sobre el dispositivo de comunicación inalámbrico instalado en este horno que no estén expresamente aprobados por el fabricante podrían anular la autoridad del usuario para operar el equipamiento..

Cómo Retirar la Película Protectora de Envío y la Cinta de Embalaje

Con cuidado tome un extremo de la película protectora de envío con los dedos y lentamente retire la misma de la superficie del electrodoméstico. No utilice ningún producto filoso para retirar la película. Retire toda la película antes de usar el electrodoméstico por primera vez.

Para asegurar que no haya daños sobre el acabado del producto, la forma más segura de retirar el adhesivo de la cinta de embalaje en electrodomésticos nuevos es aplicando un

detergente líquido hogareño para lavar platos. Aplique con una tela suave y deje en remojo.

NOTA: Todo el embalaje protector deberá ser retirado de todas partes. No se puede retirar si se hornea con éste dentro.

Tenga en cuenta las opciones de reciclaje del material de embalaje de su electrodoméstico.

FORMA ADECUADA DE DESCARTAR SU ELECTRODOMÉSTICO

Descarte o recicle su electrodoméstico de acuerdo con las Regulaciones Federales y Locales. Comuníquese con las autoridades locales para descartar o reciclar su electrodoméstico de forma ambientalmente segura.

LEA Y GUARDE ESTAS INSTRUCCIONES

Conexión a Wi-Fi

Descargue la aplicación SmartHQ

Presione el botón Wi-Fi en su electrodoméstico para iniciar la conexión. En la Aplicación SmartHQ, seleccione su electrodoméstico y siga las instrucciones para completar la conexión. **NOTA:** Asegúrese de mantener la función Wi-Fi encendida, de modo que pueda controlar su electrodoméstico desde la aplicación SmartHQ.

De ser necesario un MAC ID para conectar su horno al Wi-Fi, consulte la sección de Configuraciones para más detalles.

Para solicitar asistencia con la conectividad de red inalámbrica, comuníquese al 1-800-220-6899.

Apagado del Wi-Fi

Mantenga presionado el botón Wi-Fi durante 3 segundos para desconectar completamente el Wi-Fi. **NOTA:** Si desea volver a controlar su electrodoméstico desde su teléfono, entonces deberá volver a conectar la aplicación SmartHQ a su electrodoméstico.

Observe que cuando el Wi-Fi se encuentre apagado, el tablero Wi-Fi del horno no estará generando transmisión.

Funciones Disponibles

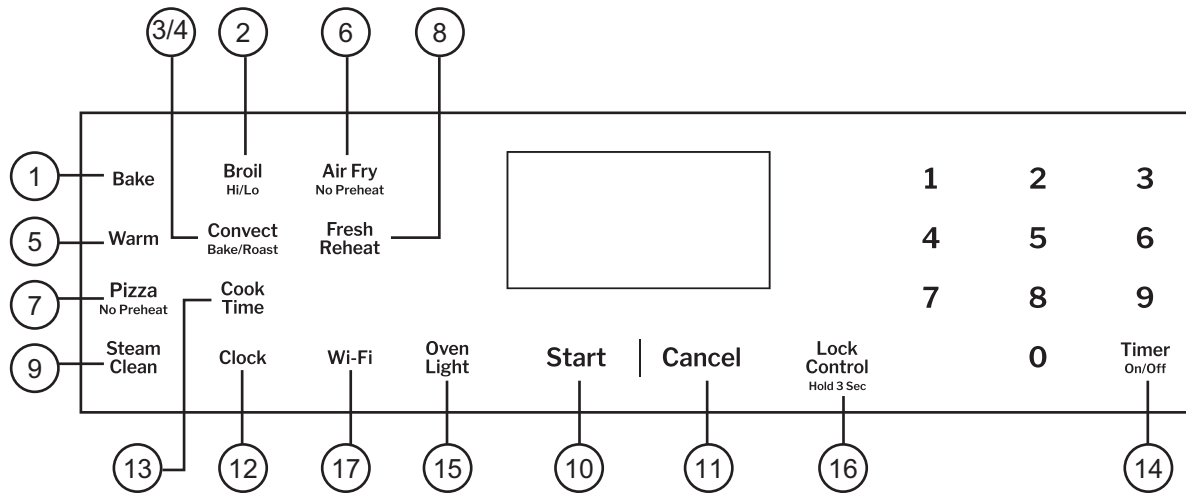
Usted podrá conectarse a una variedad de funciones a través de la aplicación SmartHQ. Siga todas las instrucciones de la aplicación para un funcionamiento correcto del electrodoméstico al usar funciones conectadas.

Activación por Voz: Es posible usar el horno con un altavoz inteligente como Google Home o Amazon Alexa para configurar e iniciar el horno y los temporizadores. Por favor asegúrese de que el horno y su altavoz inteligente estén conectados al Wi-Fi. También asegúrese de que su altavoz inteligente se encuentre a una distancia cercana de su horno, de modo que escuche sus órdenes. Podrá acceder a las instrucciones de conexión de su horno y de su altavoz inteligente a través de la aplicación SmartHQ.

Conexión con Chef: Se trata de una función de emparejamiento de Bluetooth® para uso con otros productos compatibles con Chef Connect (Conexión con Chef), tales como un horno microondas para uso sobre la estufa o una campana de estufa.

Para activar el control de SmartHQ del horno mientras el Wi-Fi esté activo, seleccione ON (Encendido) para realizar la configuración de activación remota. Para más detalles, consulte la sección de Configuraciones.

Controles del Horno



1. **Bake (Hornear):** Para más información, consulte la sección de Modos de Cocción.
2. **Broil High/Low (Asado Alto/ Bajo):** Para más información, consulte la sección de Modos de Cocción.
3. **Convection Bake Multi Rack (Hornear por Convección en Parrillas Múltiples):** Para más información, consulte la sección de Modos de Cocción.
4. **Convection Roast (Asar por Convección):** Para más información, consulte la sección de Modos de Cocción.
5. **Warm (Calentar):** El modo Warm (Calentar) está diseñado para mantener comidas calientes hasta durante 2 horas. Para más información, consulte la sección de Modos de Cocción.
6. **Air Fry (Freír con Aire):** Para más información, consulte la sección de Modos de Cocción.
7. **Pizza (Pizza):** Para más información, consulte la sección de Modos de Cocción.
8. **Fresh Reheat (Primer Recalentamiento):** Para más información, consulte la sección de Modos de Cocción.
9. **Steam Clean (Limpieza al Vapor):** Para acceder a información importante sobre el uso de este modo, consulte la sección de Cuidado y Limpieza.
10. **Start (Iniciar):** Se deberá presionar para comenzar cualquier función de cocción, limpieza o por tiempo. Se usa también para iniciar la Zona de Calentamiento de la superficie de cocción.
11. **Cancel (Cancelar):** Cancelar TODAS las operaciones del horno excepto el reloj y el temporizador.
12. **Clock (Reloj):** Configure el tiempo del reloj del horno. Presione la tecla **Clock (Reloj)** y luego use las teclas numéricas para ingresar la hora del día deseada. Presione **Start (Iniciar)** para guardar la configuración de la hora.
13. **Cook Time (Tiempo de Cocción):** Cuenta el tiempo de cocción en forma regresiva y apaga el horno cuando el tiempo de cocción es completado. Para usar la función Cook Time (Tiempo de Cocción), configure el modo de cocción y la temperatura de cocción deseados, y luego presione la tecla **Cook Time (Tiempo de Cocción)**. Use las teclas numéricas para ingresar el tiempo de cocción deseado en horas y minutos. Presione **Start (Iniciar)** para comenzar la cuenta regresiva.

Esto sólo puede ser usado con las funciones Bake (Hornear), Convection Bake Multi Rack (Hornear por Convección en Parrillas Múltiples), Convection Roast (Dorar por Convección), Warm (Calentar) y Air Fry (Freír con Aire).
14. **Timer On/Off (Temporizador de Encendido/ Apagado):** Funciona como un temporizador con cuenta regresiva. **NOTA:** El horno continuará funcionando cuando la cuenta regresiva del temporizador se haya completado. Para configurar el temporizador, presione la tecla **Timer On/Off (Temporizador Encendido/ Apagado)**, y luego use las teclas numéricas para ingresar el horario en horas y minutos. Presione **Start (Iniciar)** para comenzar la cuenta regresiva. Para apagar el temporizador, presione la tecla **Timer On/Off (Temporizador Encendido/ Apagado)**.
15. **Oven Light (Luz del Horno):** Enciende o apaga la luz del horno.
16. **Lock Control (Control de Bloqueo):** Bloquea el control de modo que al presionar cualquier tecla no se activan los controles. Para usar esta función, mantenga presionada la tecla **Lock Control (Control de Bloqueo)** durante tres segundos para bloquear o desbloquear el control.
17. **Wi-Fi (Wi-Fi):** Le permite controlar el horno de forma remota. Para acceder a instrucciones sobre cómo conectar el horno, consulte la sección de Conexión a Wi-Fi de este manual.

Configuraciones

Su estufa cuenta con varios tipos de configuraciones. Para acceder y cambiar estas configuraciones, mantenga presionadas las teclas **Bake (Hornear)** y **Broil (Asar)** al mismo tiempo durante tres segundos hasta escuchar un pitido, luego libere los botones, y entonces se deberá visualizar “OFSt” en pantalla.

Pase a través del menú Settings (Configuraciones) usando la tecla numérica **2** para ir hacia arriba y la tecla numérica **8** para ir hacia abajo, hasta que se exhiba la función deseada. Para seleccionar una función para cambiar, o para confirmar un cambio, presione la tecla numérica **6**. Para cancelar un cambio y regresar al menú Settings (Configuraciones), presione la tecla numérica **4**. Para salir del menú Settings (Configuraciones), vuelva a presionar la tecla **Cancel (Cancelar)**.

Ajuste de la Temperatura del Horno (OFSt)

Esta función permite que la temperatura de horneado del horno sea ajustada hasta 35°F más caliente o 35°F más fría. Use esta función si considera que la temperatura de su horno está demasiado caliente o demasiado fría y desea modificarla.

Para ajustar la temperatura del horno, ingrese al menú Settings (Configuraciones) como figura más arriba, y luego pase a través de las funciones hasta que se exhiba “**OFSt**” y luego presione **Start (Iniciar)**. Se exhibirá un número entre 35 y -35. Use la tecla numérica **2** para incrementar la temperatura ajustada o use la tecla numérica **8** para reducir la temperatura ajustada. Presione **6** para guardar el ajuste de temperatura. Presione **Cancel (Cancelar)** para salir del menú Settings (Configuraciones). Este ajuste afectará las funciones Bake (Hornear), Convection Bake (Hornear por Convección), y Convection Roast (Dorar por Convección).

No use termómetros, tales como los que se encuentran en tiendas de comestibles, para controlar la configuración de temperatura del horno. Estos termómetros pueden variar entre 20 y 40 grados.

Configuración del Calentador Sabático (Sabb)

Esta función le permite al usuario incrementar la temperatura de Sabbath Warm (Calor Sabático) si el horno está funcionando en una temperatura más fría que la deseada. Para ajustar esta función en Lo (Bajo) o Hi (Alto), ingrese al menú Settings (Configuraciones), como se detalla más arriba, y pase a través de las opciones hasta que se exhiba “**Sabb**”, y luego presione **6**. Vaya hasta la opción deseada y vuelva a presionar **6** para confirmar la misma. Presione **Cancel (Cancelar)** para salir del menú Settings (Configuraciones).

Sound Volume (Snd)

Esta función le permite al horno configurar el volumen del tono en On (Encendido) y Off (Apagado). Para ajustar el tono del volumen, ingrese al menú Settings (Configuraciones), como se detalla más arriba, y pase a través de las opciones hasta que se exhiba “**Snd**”, y luego presione **6**. Vaya hasta la opción deseada y vuelva a presionar **6** para confirmar la misma. Presione **Cancel (Cancelar)** para salir del menú Settings (Configuraciones).

Señales de Finalización del Temporizador (End tonE)

Se trata de un tono que indica el final de un temporizador. El tono puede ser continuo (Cont.) o un pitido repetido (bEEP). Una configuración continua seguirá haciendo que un tono suene hasta que se presione un botón del control. Una configuración simple (bEEp) hará sonar un solo tono al final del temporizador. Para cambiar el tono, ingrese al menú Settings (Configuraciones), como se detalla más arriba, y pase a través de las opciones hasta que se exhiba “**End TonE**” (Tono de Finalización), y luego presione **6**. Vaya hasta la opción deseada y vuelva a presionar **6** para confirmar la misma. Presione **Cancel (Cancelar)** para salir del menú Settings (Configuraciones).

Apagado Automático en 12 Horas (12h Shut)

Esta función apaga el horno luego de 12 horas de funcionamiento continuo. Para activar o desactivar esta función, ingrese al menú Settings (Configuraciones), como se detalla más arriba, y pase a través de las opciones hasta que se exhiba “**12h Shut** (Apagado en 12 horas), y luego presione **6**. Vaya hasta la opción deseada y vuelva a presionar **6** para confirmar la misma. Presione **Cancel (Cancelar)** para salir del menú Settings (Configuraciones).

Fahrenheit / Celsius (dEg Unit)

El control del horno está configurado para el uso con temperaturas Fahrenheit (F), pero puede ser modificado a temperaturas Celsius (C). Para alternar entre medidas de temperatura, ingrese al menú Settings (Configuraciones), como se detalla más arriba, y pase a través de las opciones hasta que se exhiba “**dEg Snd**”, y luego presione **6**. Vaya hasta la opción deseada y vuelva a presionar **6** para confirmar la misma. Presione **Cancel (Cancelar)** para salir del menú Settings (Configuraciones).

Pantalla del Reloj (CLoc diSP)

Esta función especifica si el reloj aparece en pantalla. La pantalla del reloj podrá estar en “On” (Encendido) u “OFF” (Apagado). Para cambiar la pantalla, ingrese al menú Settings (Configuraciones), como se detalla más arriba, y pase a través de las opciones hasta que se exhiba “**CLoc diSP**”, y luego presione **6**. Vaya hasta la opción deseada y vuelva a presionar **6** para confirmar la misma. Presione **Cancel (Cancelar)** para salir del menú Settings (Configuraciones).

Configuraciones

Configuración del Reloj (CLoc cFg)

Esta función especifica cómo se exhibirá la hora del día. Usted puede exhibir la hora a través de un reloj estándar de 12 horas (12) o un reloj militar de 24 horas. Para cambiar la configuración, ingrese al menú Settings (Configuraciones), como se detalla más arriba, y pase a través de las opciones hasta que se exhiba "**CLoc cFg**", y luego presione **6**. Vaya hasta la opción deseada y vuelva a presionar **6** para confirmar la misma. Presione **Cancel (Cancelar)** para salir del menú Settings (Configuraciones).

Conversión de Receta Automática (Auto Con)

Esta función ajusta de forma automática las temperaturas de horneado tradicional para la cocción con Convection Bake Multi Rack (Hornear por Convección en Parrillas Múltiples). Para ajustar esta función en "On" (Encendido) u "Off" (Apagado), ingrese al menú Settings (Configuraciones), como se detalla más arriba, y pase a través de las opciones hasta que se exhiba "**Auto Con**", y luego presione **6**. Vaya hasta la opción deseada y presione **6** para confirmar la misma. Presione **Cancel (Cancelar)** para salir del menú Settings (Configuraciones).

Acceso Remoto Activado (APP EnbL)

Le permite controlar el horno microondas de forma remota. Esta función podrá estar encendida o apagada. Para cambiar la configuración, ingrese al menú Settings (Configuraciones), como se detalla más arriba, y pase a través de las opciones hasta que se exhiba "**APP EnbL**", y luego presione **6**. Vaya hasta la opción deseada y presione **6** para confirmar la misma. Presione **Cancel (Cancelar)** para salir del menú Settings (Configuraciones).

UPD (uPd)

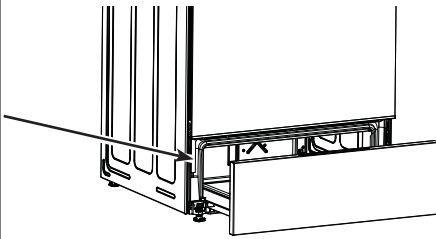
Es posible que se requiera la información UPD al contactar al servicio técnico de su horno. Para acceder a esta información, ingrese al menú Settings (Configuraciones), como se detalla más arriba, y pase a través de las opciones hasta que se exhiba "uPd", y luego presione **6**. Se exhibirá una serie de cuatro caracteres y números. Vaya hacia abajo para visualizar la siguiente serie de cuatro caracteres y números y luego vuelva a ir hacia abajo para visualizar la configuración final de cuatro caracteres y números. Usted también podrá ir hacia arriba para revisar las configuraciones anteriores. Presione **Cancel (Cancelar)** para salir del menú Settings (Configuraciones).

MAC ID (id)

Es posible que la información de MAC ID sea necesaria para conectar algunos sistemas Wi-Fi. Para acceder a esta información, ingrese al menú Settings (Configuraciones), como se detalla más arriba, y pase a través de las opciones hasta que se exhiba "id", y luego presione **6**. Se exhibirá una serie de cuatro caracteres y números. Vaya hacia abajo para visualizar la siguiente serie de cuatro caracteres y números y luego vuelva a ir hacia abajo para visualizar el conjunto final de cuatro caracteres y números. Usted también podrá ir hacia arriba para revisar las configuraciones anteriores. Presione **Cancel (Cancelar)** para salir del menú Settings (Configuraciones).

Modo Sabático

MODEL	SERIAL	
INPUTS/BUHR	NATURAL PROPANE	
RIGHT REAR	5 000	5 000
LEFT REAR	9 500	9 500
LEFT FRONT	9 500	9 500
RIGHT FRONT	13 000	12 000
OVEN	BAKE BURNER	19 000
		16 000
	MANIFOLD PRESSURE	5" WC
		10" WC
120V 60Hz SA		
INPUTS	WATTS	
<small>GE Appliances, a Haier Company</small> <small>MADE IN MEXICO</small>		



Si su estufa posee el logo OU en la etiqueta de especificaciones técnicas, como aparece, entonces su estufa ofrece un modo Sabbath (Sabático) que cumple con los estándares establecidos por Orthodox Union (Unión Ortodoxa), el Central Rabbinical Congress (Congreso Rabínico Central) y Halach Tech, y está 100% certificada por los más altos estándares de Halacha. En este modo, las luces del horno se apagarán durante todo el uso, los tonos del horno estarán desactivados, y se tendrá la opción de configurar programaciones de Sabbath (Sabático) de hasta 72 horas de duración.

NOTA: Asegúrese de que el reloj del horno esté correctamente configurado antes de ingresar al modo. Para un funcionamiento correcto del modo Sabbath (Sabático), este modo se deberá iniciar dentro de la hora antes de la puesta de sol.

Ingreso al Menú de Selección de la Programación del Modo Sabático

- Mantenga presionadas las teclas **Timer On/Off (Temporizador Encendido/ Apagado)** y **Oven Light (Luz del Horno)** durante 3 segundos mientras suena un pitido, luego libere los botones y entonces se deberá visualizar "SAbb".
- Pase a través de las opciones de programación usando la tecla numérica 0. Seleccione la programación deseada presionando **Start (Iniciar)**.

NOTA: En la siguiente tabla, "S" en la programación denota 24 hrs. + 1 hr. de calentamiento del horno. Una "H" en la programación denota un día Feriado de acuerdo con lo definido en la sección Holiday ("hoLi") (Feriado) que figura a continuación.

Opciones del Menú	Detalles del Menú	Opciones de Duración	Pantalla Mostrada
SAbb	Calentar en el Modo Sabático	24hrs. (por omisión), 48 hrs., 72 hrs., 4 hrs., 8 hrs., 12 hrs.	SAbb
SH	Calentar 24 hrs. + 1 hr. Feriado 24 hrs.	Ninguno	hoLi
SHH	Calentar 24 hrs. + 1 hr. Feriado 24 hrs. Feriado 24 hrs.	Ninguno	hoLi
HS	Feriado 24 hrs. Calentar 24 hrs. + 1 hr.	Ninguno	hoLi
HHS	Feriado 24 hrs. Feriado 24 hrs. Calentar 24 hrs. + 1 hr.	Ninguno	hoLi

NOTA: Presionar la tecla **Cancel (Cancelar)** producirá la salida del modo Sabbath (Sabático) completamente y hará que la estufa regrese a su funcionamiento normal. Si no se presione ninguna tecla durante 30 segundos, el control finalizará el conteo y regresará al funcionamiento normal.

Calor Sabático (Sabb)

La función Sabbath Warm (Calor Sabático) mantendrá el horno caliente a lo largo de la duración programada. Para usar la función Sabbath Warm (Calor Sabático).

- Mantenga presionadas las teclas **Timer On/Off (Temporizador Encendido/ Apagado)** y **Oven Light (Luz del Horno)** durante 3 segundos hasta que suene un pitido, luego libere los botones y entonces se deberá visualizar "SAbb". Si se desea el funcionamiento continuo de la función 24hr Sabbath Warm (Calor Sabático las 24 hrs.), presione **Start (Iniciar)**.
- Si no se desea la duración por omisión, presione la tecla **Timer On/Off (Temporizador Encendido/ Apagado)** mientras se exhibe "SAbb" para ingresar al menú de Selección de Duración del Calor Sabático. Pase a través de las opciones de duración usando la tecla 0, y luego seleccione la duración deseada presionando **Start (Iniciar)**.

NOTA: Para opciones de tiempo inferiores a 24 horas, el electrodoméstico completará la función Sabbath Warm (Calor Sabático) y pasará a Sabbath Idle (Modo Sabático Inactivo) durante el resto del período de 24 horas. Las luces del horno permanecerán encendidas, los tonos del horno permanecerán desactivados, la calefacción del horno estará desactivada y el control exhibirá "IdLE" (Inactivo).

Opciones del Menú	Detalles del Menú
24hrs.	Calor Sabático 24hrs. + 1hr.
48hrs.	Calor Sabático 48hrs. + 1hr.
72hrs.	Calor Sabático 72hrs. + 1hr.
4hrs.	Calor Sabático 4hrs. Modo Sabático Inactivo 20hrs. + 1 hr.
8hrs.	Calor Sabático 8hrs. Modo Sabático Inactivo 16hrs. + 1hr.
12hrs.	Calor Sabático 12hrs. Modo Sabático Inactivo 12hrs. + 1hr.

Feriado (hoLi)

Las opciones programadas con la función Holiday (Feriado) seguirán la siguiente programación de forma automática. No se requiere ninguna otra acción luego de configurar la opción de programación deseada, ya que el electrodoméstico pasará entre las funciones por sí solo en base al tiempo ingresado de forma inicial dentro de la ventana de 1 hora antes de la caída del sol.

	Hora de Inicio	Hora de Finalización
Horneado en el Feriado	Tiempo Inicial Ingresado (ITE)	ITE + 5 hrs. o Medianoche (la que suceda primero)
Calentar en el Feriado	ITE + 5 hrs. o Medianoche (la que suceda primero)	8 AM
Holiday Bake (Horneado en el Feriado)	8 AM	12 del Mediodía
Holiday Warm (Calentar en el Feriado)	12 del Mediodía	Tiempo Inicial Ingresado

Nota sobre Corte de Corriente Durante el Modo Sabático

Si se produce un corte de corriente durante el uso del modo Sabbath (Sabático) o en los modos de Holiday (Feriado), la unidad regresará a Sabbath Warm (Calor Sabático) durante el resto de la programación elegida. Si se produce un corte de corriente durante el uso del modo Sabbath Idle (Sabático Inactivo), la unidad regresará a Sabbath Idle (Sabático Inactivo) durante el resto de la programación elegida.

Superficie de Cocción a Gas

En Caso de Corte de Corriente

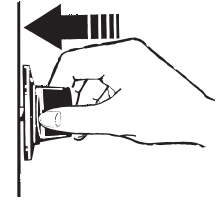
En caso de un corte de corriente, el horno quedará inoperable y no se deberá intentar operar el mismo. Sin embargo, la superficie de cocción se podrá encender con un cerillo. Teniendo extremo cuidado, sostenga un cerillo cerca de los puertos debajo de la tapa del quemador de la superficie, y de forma lenta gire la perilla hasta la posición LITE. Una vez encendidos, los quemadores de la superficie continuarán funcionando con normalidad.

Encendido de un Quemador de la Superficie

⚠ADVERTENCIA Los quemadores sólo deben ser usados cuando estén cubiertos por los utensilios. Las llamas de los quemadores que no estén cubiertas por el utensilio presentan un riesgo de incendio o incendio de telas. Nunca permita que las llamas se extiendan más allá de los costados del utensilio. Si esto no se cumple, se podrán producir lesiones graves.

Para encender un quemador, seleccione un quemador y busque su perilla de control. Empuje y gire la perilla hasta la posición LITE.

Escuchará un ruido de clic – el sonido de la chispa eléctrica que enciende el quemador. Cuando un quemador se gire a LITE, todos los quemadores generarán chispas. El chispeo continuará mientras la perilla permanezca en LITE. Una vez encendido el gas, gire la perilla para ajustar el tamaño de la llama.



Empuje el mango de control y gire el mismo hasta la posición LITE.

Encendido de un Quemador de la Superficie con un Cerillo

Usted puede encender los quemadores de la superficie de su estufa con un cerillo de madera de cocina. Acerque un cerillo prendido al quemador, y luego presione y gire la perilla de control hasta la posición LITE. Tenga especial cuidado al encender los quemadores de esta forma. Los quemadores que se estén usando cuando se produzca un corte de luz eléctrica continuarán funcionando normalmente.

Selección del Tamaño de Llama

Observe la llama, no la perilla, a medida que reduce el calor. Cuando se desee calentar de forma rápida, el tamaño de la llama de un quemador de gas deberá ser equivalente al utensilio de cocina que esté usando. Cuando las llamas sean más grandes que la parte inferior del utensilio de cocina, no calentarán el utensilio más rápido y podrían ser riesgosas.



Estas llamas son demasiado grandes para la olla.

Uso de los Quemadores de la Superficie

- El quemador redondo es para realizar una cocción general. Adapte el tamaño del utensilio de forma proporcional a las llamas.
- No utilice el quemador durante un período de tiempo prolongado sin un utensilio de cocina sobre la parrilla. El acabado de la parrilla se puede resquebrajar si no hay un utensilio de cocina que absorba el calor.
- No intente desensamblar un quemador mientras otro quemador está encendido. Es posible que se produzca una descarga eléctrica, lo cual podría hacer que vuelque un utensilio de cocina caliente.
- Asegúrese de que los quemadores y las parrillas estén fríos antes de colocar la mano, tomar el mango de una olla, trapes de limpieza u otros materiales sobre estos.

Utensilio para Superficies de Cocción a Gas

La siguiente información le ayudará a elegir utensilios que le permitirán un buen desempeño en las superficies de cocción a gas.

Aluminio:

Se recomienda un utensilio de peso mediano, ya que calienta de forma rápida y pareja. La mayoría de las comidas se doran de forma pareja en una sartén de aluminio. Use charolas con tapa hermética cuando cocine con cantidades mínimas de agua.

Acero Inoxidable:

Este metal posee propiedades de calentamiento limitadas y normalmente se combina con cobre, aluminio u otros materiales para una mejor distribución del calor. Las sartenes con combinación de metales normalmente funcionan de forma satisfactoria si se usan con calor medio, o como lo recomienda el fabricante.

Hierro Fundido:

Si cocinará de forma lenta, la mayoría de los sartenes le darán resultados satisfactorios.

Utensilios de esmalte:

Bajo ciertas condiciones, el esmalte de algunos utensilios de cocina se podrán derretir. Siga las recomendaciones sobre métodos de cocción del fabricante de utensilios de cocina.

Vidrio:

Existen dos tipos de utensilios de cocina de vidrio – aquellos para uso con el horno únicamente y aquellos para la cocción en la parte superior de la cocina (charolas, café y teteras). Los conductos de vidrio calientan de forma muy lenta.

Cerámica de Vidrio Resistente al Calor:

Se podrán usar sobre cualquier superficie o para cocción en el horno. Conduce el calor de forma muy lenta y se enfría de forma muy rápida. Consulte las instrucciones del fabricante de utensilios de cocina para saber con seguridad si se puede usar en estufas a gas.

Parrillas para la Parte Superior de la Cocina

No use cualquier repuesto de rejilla para la parte superior de la cocina con sus quemadores de gas, ya que realizará una combustión incompleta, generando niveles de monóxido de carbono superiores a los estándares permitidos. Esto puede ser peligroso para su salud.



No use rejillas para la parte superior de la cocina.

Cómo Usar un Wok

Use sólo woks con base plana de un diámetro de 14 pulgadas o menos. Asegúrese de que el fondo del wok se apoye de forma plana sobre la rejilla.

No use un anillo de soporte para wok. Colocar el anillo sobre el quemador o parrilla podrá hacer que el quemador funcione de forma inadecuada, produciendo niveles de monóxido de carbono que superan los estándares permitidos. Esto puede ser peligroso para su salud.



Use un wok con fondo plano



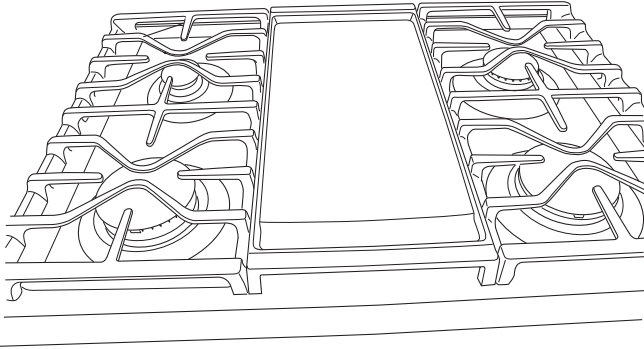
Plancha

Uso de una Plancha de Aluminio No Adherente

Su plancha le brinda una superficie de cocción extra grande para carnes, panqueques y otras comidas normalmente preparadas en una sartén. Antes del primer uso, enjuague la misma con agua caliente y séquela completamente.

Posicionamiento de la Plancha

La plancha de aluminio no adherente o el accesorio para plancha/parrilla de hierro fundido reversible sólo se podrán usar sobre el quemador central de la parte superior de la estufa.



Pre calentamiento de la Plancha

Pre caliente la plancha durante 5 minutos en High (Alto) antes de colocar comida en la plancha.

Una vez pre calentada la plancha, gire la perilla del quemador hasta la configuración de cocción resaltada en la tabla. Ajuste la configuración según sea necesario de acuerdo a su charola específica y punto de preparación deseados.

Tipo de Comida	Configuración de Cocción
Cómo Calentar Tortillas	Med-Bajo (Med-Lo)
Panqueques	Med-Bajo (Med-Lo)
Hamburguesas	Med
Huevos Fritos	Bajo (Lo)
Embutidos para el Desayuno	Med
Bacon	Med
Sándwiches Calientes (Tales como con Queso a la Plancha)	Med-Bajo (Med-Lo)

Precauciones con la Plancha

- No use la plancha durante períodos de tiempo prolongados. Es posible que se produzcan manchas y/o fisuras permanentes sobre la superficie.
- No sobrecaliente la plancha. Si el quemador de la plancha se deja en Hi (Alto) por un período de tiempo prolongado sin comida, esto podrá dañar la cobertura antiadherente.
- Use sólo utensilios de plástico, nylon o madera o herramientas de cocina SilverStone® para evitar que se arruine el recubrimiento.
- Nunca use cuchillos ni corte la comida sobre la plancha.
- Evite el uso de utensilios metálicos con puntas pronunciadas o extremos muy filosos que puedan dañar la superficie de la plancha.
- Guarde la misma con cuidado para evitar que se raspe.
- No coloque la plancha en un horno microondas.
- Si algo se derramó debajo de la plancha, se deberá limpiar tan pronto como sea posible para evitar suciedad de comida "horneada".
- No permita que se acumule grasa debajo de la plancha, ya que puede haber riesgo de incendio. Limpie debajo de la plancha con agua caliente y jabón, tan pronto como sea posible.

Para acceder a instrucciones sobre cómo limpiar la plancha, consulte la sección de Cuidado y Limpieza en este manual.

Accesorio Reversible de Hierro Fundido de la Plancha/ Parrilla

- Si usará el accesorio de la plancha de hierro fundido, pre caliente su plancha o parrilla durante por lo menos 5 minutos en High (Alto) antes de colocar la comida sobre la plancha o parrilla.
- Al cocinar bistecs del lado de la parrilla, pre caliente la plancha o parrilla hasta durante 8 minutos en High (Alto) para soasar la parte externa del bistec.

Modos de Cocción del Horno

Su nuevo horno posee una variedad de modos de cocción para que pueda obtener los mejores resultados. Estos modos se describen a continuación. Consulte en la sección de la Guía de Cocción sobre posiciones de las parrillas recomendadas y otros consejos para usar estos modos. Recuerde que es posible que su nuevo horno funcione de manera diferente que aquel que está reemplazando.

Coloque las parrillas en la posición(es) deseada antes de iniciar el horno. Para algunos modos de cocción, tales como Bake (Hornear), Convection Bake (Hornear por Convección), y Convection Roast (Dorar por Convección), el horno realizará un precalentamiento y sonará un tono cuando éste se encuentre listo para cocinar. Algunos modos de cocción no requieren precalentamiento. A fin de reducir los tiempos del precalentamiento, retire las parrillas que no se usen y evite abrir la puerta del horno hasta que suene el tono de precalentamiento.

Mientras se encuentre en uso, los calentadores del horno realizarán ciclos de encendido y apagado para mantener las condiciones de cocción adecuadas. Evite la apertura frecuente de la puerta del horno, ya que esto podrá impactar en los tiempos y en el rendimiento de la cocción.

Bake (Hornear)

El modo Bake (Hornear) se utiliza para hornear y dorar sobre un solo estante. Para usar este modo, presione la tecla **Bake (Hornear)** y use las teclas **numéricas** para configurar la temperatura deseada, y luego presione **Start (Iniciar)**.

El precalentamiento generalmente se recomienda al usar este modo, especialmente para preparar productos horneados tales como tortas, galletas y pasteles.

Modo para Asar

Monitoree la comida de cerca al asar. Tenga cuidado al asar en posiciones de estantes superiores, ya que colocar la comida más cerca del elemento para asar incrementa el humo, salpicaduras y se incendian las grasas. Para un mejor rendimiento, centre la comida debajo del elemento que emite calor para asar. Intente asar las comidas que normalmente haría a la parrilla. Ajuste las posiciones de los estantes para ajustar la intensidad del calor a la comida. Siempre use el modo Broil (Asar) con la puerta del horno cerrada.

Broil High (Asar Alto)

Broil Hi (Asado Alto) usa calor intenso del elemento superior para soasar las comidas. Use la función Broil Hi (Asado Alto) para cortes más delgados de carne y/o cuando desee que la superficie quede más soasada y el interior más jugoso. Para usar este modo, presione la tecla **Broil (Asar)** una vez y luego presione **Start (Iniciar)**.

No es necesario realizar el precalentamiento al usar este modo.

Broil Low (Asar Bajo)

Broil Low (Asado Bajo) usa menos calor intenso del elemento superior para cocinar la comida completamente mientras también produce el dorado superficial. Use la función Broil Low (Asado Bajo) para cortes de carne más gruesos y/o comidas que desee que queden completamente cocinadas. Para usar este modo, presione la tecla **Broil (Asar)** dos veces y luego presione **Start (Iniciar)**. No es necesario realizar el precalentamiento al usar este modo.

Horneado por Convección en Parrillas Múltiples

El modo Convection Bake Multi Rack (Hornear por Convección en Parrillas Múltiples) fue diseñado para hornear en múltiples parrillas al mismo tiempo. Este modo usa calor de los quemadores superior e inferior, junto con el movimiento de aire del ventilador de convección para una cocción más pareja. Es posible que el tiempo de horneado sea un poco más prolongado con parrillas múltiples, en comparación con lo que se espera con un solo estante.

El horno está equipado con la función Auto Recipe Conversion (Conversión de Receta Automática); de modo que no es necesario ajustar las temperaturas de Conventional Bake (Horneado Convencional) a Convection Bake (Horneado por Convección) al usar este modo. Consulte la sección de Configuraciones para más información sobre Auto Recipe Conversion (Conversión a Receta Automática).

Para usar este modo, presione la tecla **Convection Bake/ Roast (Hornear/ Dorar por Convección)** una vez y use las teclas numéricas para configurar la temperatura deseada, y luego presione **Start (Iniciar)**.

Siempre realice el precalentamiento al usar este modo.

Convection Roast (Dorar por Convección)

El modo Convection Roast (Dorar por Convección) está pensado para dorar cortes enteros de carne en un solo estante. Este modo utiliza el calor de los elementos superior e inferior, junto con el movimiento del ventilador por convección, a fin de mejorar el dorado y reducir el tiempo de cocción. Cuando use este modo, o si usa la sonda, controle la comida antes que el tiempo sugerido en la receta.

Para usar este modo, presione la tecla **Convection Bake/ Roast (Hornear/ Dorar por Convección)** dos veces y use las teclas numéricas para configurar la temperatura deseada, y luego presione **Start (Iniciar)**.

Modos de Cocción del Horno (Cont.)

Air Fry (Freír con Aire)

El modo Air Fry (Freír con Aire) es un modo especial de convección que usa air caliente y de movimiento rápido, y fue diseñado para producir comidas con un exterior más crujiente que la cocción tradicional en horno. El modo Air Fry (Freír con Aire) fue diseñado para la cocción en un solo estante únicamente. Para usar este modo, presione la tecla **Air Fry (Freír con Aire)** y use las teclas numéricas para configurar la temperatura deseada, y luego presione **Start (Iniciar)**.

La temperatura se puede configurar entre 300° y 500°. No es necesario realizar el precalentamiento en este modo. Siga las pautas de la receta o del paquete para horneados tradicionales en relación a los ajustes de temperatura y tiempos de cocción, y ajuste el tiempo de cocción para lograr la textura crujiente deseada. Se podrán encontrar pautas adicionales para utilizar este modo en la Guía de Cocción para Freír con Aire.

Pizza No Preheat (Pizza Sin Precalentamiento)

El modo Pizza No Preheat (Pizza Sin Precalentamiento) fue diseñado para cocinar pizzas congeladas. La mayoría de las pizzas se cocinarán dentro de los tiempos que aparecen recomendados en el envoltorio. Ajuste el tiempo de cocción de acuerdo con sus preferencias individuales. Para usar este modo, presione la tecla **Pizza No Preheat (Pizza Sin Precalentamiento)** y use las teclas numéricas para configurar la temperatura deseada, y luego presione **Start (Iniciar)**.

Use la función Frozen Pizza No Preheat (Pizza Sin Precalentamiento) cuando cocine en un solo estante. No es necesario realizar el precalentamiento en este modo. La comida deberá ser colocada en el horno antes o inmediatamente al iniciar este modo.

Warm (Calentar)

El modo Warm (Calentar) fue diseñado para mantener calientes las comidas cocinadas. No use la función Warm (Calentar) para calentar comida fría, excepto galletas crujientes, patatas fritas o cereales secos. Cubra las comidas que necesitan mantener la humedad y no cubra aquellas comidas que deban quedar crujientes. También se recomienda que la comida no se mantenga caliente por más de dos horas. Para usar este modo, presione la tecla **Warm (Caliente)** y luego presione **Start (Iniciar)**.

No es necesario realizar el precalentamiento en este modo.

Reheat (Recalentar)

El Modo Reheat (Recalentar) fue diseñado para calentar comidas cocinadas y refrigeradas de forma previa en la temperatura para servir. El modo Reheat (Recalentar) fue diseñado para un uso sin precalentamiento y cuenta con dos configuraciones: High (Alta) y Low (baja). Para más información, consulte la Guía para Recalentar una Cocción.

Reheat High (Recalentamiento Alto)

Use Reheat High (Recalentamiento Alto) para comidas más delgadas y pequeñas tales como porciones de pizza o patatas fritas. Para usar esta configuración, presione la tecla **Reheat (Recalentar)** una vez y luego presione **Start (Iniciar)**. La comida deberá estar en un solo estante y se deberá colocar en el horno antes o inmediatamente después de iniciar este modo.

Reheat Low (Recalentamiento Bajo)

Use Reheat Low (Recalentamiento Bajo) para comidas más gruesas, cantidades más grandes de comida, o comidas que sean propensas a dorarse en exceso, tales como cazuelas o muffins. Para usar esta configuración, presione la tecla **Reheat (Recalentar)** dos veces y luego presione **Start (Iniciar)**. La comida deberá estar en un solo estante y se deberá colocar en el horno antes o inmediatamente después de iniciar este modo.

Utensilios de Cocina para Horno

El material, el acabado y el tamaño de los utensilios afectan el horneado. Las ollas oscuras, revestidas y opacas absorben el calor más rápidamente que las ollas claras y brillantes. Al usar ollas que absorben el calor más rápidamente, las comidas podrán resultar más doradas, crocantes y con una capa más gruesa. Si utiliza utensilios oscuros y revestidos, controle la comida antes del tiempo mínimo de cocción. Si se obtienen resultados no deseados con este tipo de utensilios, considere la posibilidad de reducir la temperatura del horno en 25° F la próxima vez.

- Las ollas brillantes pueden producir resultados de horneado más parejos en tortas y galletas.
- Las ollas de vidrio y cerámica calientan con lentitud, pero retienen bien el calor. Estos tipos de ollas funcionan bien con platos tales como tartas y postres con natilla.

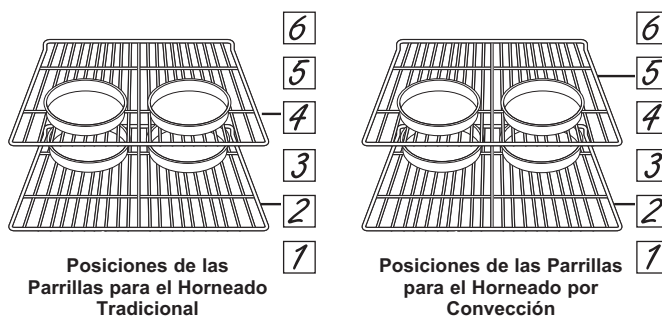
- Las ollas con aislante de aire calientan lentamente y pueden producir fondos dorados.
- La cerámica se calienta de forma lenta y retiene bien el calor. Si es posible, se recomienda precalentar este tipo de utensilios. Se podrá requerir tiempo de cocción adicional.
- El utensilio usado en los modos para asar y freír con aire deberán ser de uso seguro para asar.
- Mantenga los utensilios limpios para una cocción más pareja.

Guía de Cocción en Horno

TIPO DE COMIDA	MODO(S) RECOMENDADO(S)	POSICIÓN(ES) DE ESTANTES RECOMENDADA	SUGERENCIAS ADICIONALES
Productos Horneados			
Tortas con capas, tortas rectangulares, roscas, panecillos, pan rápido en un Solo Estante	Hornear	3	Use utensilios brillantes y asegúrese de contar con una circulación de aire adecuada.
Tortas con capas* en Múltiples Estantes	Horneado por Convección	2 y 5	Use utensilios brillantes. Asegúrese de que haya un flujo de aire adecuado (Vea la ilustración).
Tortas de grasa (pastel de ángel)	Hornear	1	Use utensilios brillantes y asegúrese de contar con una circulación de aire adecuada.
Galletas, galletitas, bizcochitos en un Solo Estante	Hornear	3	Use utensilios brillantes y asegúrese de contar con una circulación de aire adecuada.
Galletas, galletitas, bizcochitos en Múltiples Estantes	Horneado por Convección	2 y 5	Use utensilios brillantes. Asegúrese de que haya un flujo de aire adecuado.
Panes de Levadura	Hornear	3	
Bife y Cerdo			
Hamburguesas	Asar Alto	6	Use la parte para asar; mueva la comida más abajo para que quede más preparada y menos soasada. Preste atención a la comida al asarla. Para un mejor rendimiento, centre la comida debajo del elemento que emite calor para asar.
Bifes y Chuletas	Asar Alto	4 o 5	Use la parte para asar; mueva la comida más abajo para que quede más preparada y menos soasada. Preste atención a la comida al asarla. Para un mejor rendimiento, centre la comida debajo del elemento que emite calor para asar.
Dorados	Hornear Dorado por Convección	2 o 3	Use una olla chata tal como una olla para asar. No se requiere precalentarla.
Ave			
Pollo entero	Hornear Dorado por Convección	3	Use una olla chata tal como una olla para asar. No se requiere precalentarla.
Pechugas, patas, muslos con huesos	Asado Bajo Hornear	2 3	Si se empanó o cubrió con salsa, evite los modos Broil Hi (Asar Alto). Ase del lado de la piel hacia abajo primero. Preste atención a la comida al asarla. Para un mejor rendimiento al asar, centre la comida debajo del elemento que emite calor para asar.
Pechugas de pollo deshuesadas	Asado Bajo Hornear	2 3	Si se empanó o cubrió con salsa, evite los modos Broil Hi (Asar Alto). Ase del lado de la piel hacia abajo primero. Preste atención a la comida al asarla. Para un mejor rendimiento al asar, centre la comida debajo del elemento que emite calor para asar.
Pavo entero	Hornear Dorado por Convección	1	Use una olla chata tal como una olla para asar.
Pechuga de Pavo	Hornear Dorado por Convección	2	Use una olla chata tal como una olla para asar.
Otro			
Pescado	Asado Bajo	5 (mitad del grosor o menos) 4 (> 1/2 pulgada)	Preste atención a la comida al asarla. Para un mejor rendimiento, centre la comida debajo del elemento calentador para asar.
Cazuelas	Hornear	3	
Pizza Congelada en un solo estante	Modo Frozen Pizza (Pizza Congelada)	3	Coloque la comida en el horno antes de iniciar el modo.
Refrigerios Frescos o Congelados	Air Fry (Freír con Aire)	Consulte la guía para freír con aire	Coloque la comida en el horno antes de iniciar el modo. Use un utensilio oscuro para que quede más dorada/ crujiente; use utensilios brillantes para un menor dorado.

*Al hornear tortas de cuatro capas en una sola cocción con el horneado tradicional, use las parrillas 2 y 4. Al hornear tortas de cuatro capas al mismo tiempo con el horneado por convección, use las parrillas 2 y 5. Coloque las charolas superiores en el frente y las charolas inferiores sobre la parte trasera.

Cocine la comida completamente para evitar que se produzcan enfermedades a partir de la comida. Puede encontrar recomendaciones sobre temperatura mínima para cocinar de forma segura en foodsafety.gov. Asegúrese de usar un termómetro de comidas para medir la temperatura de las mismas.

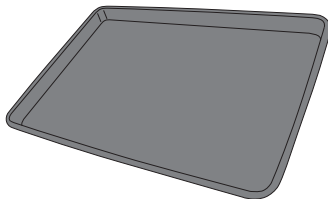


Modo de Cocción para Freír con Aire

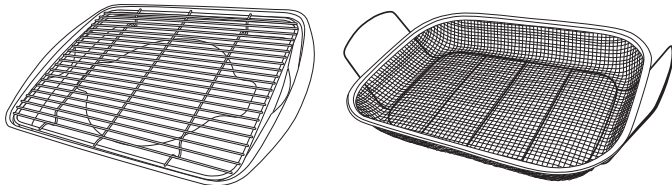
Air Fry (Freír con Aire) es un modo de cocción especial sin precalentamiento, que fue diseñado para producir comidas que en su exterior queden más crocantes que en la cocción en hornos tradicionales. Seleccione Air Fry (Freír con Aire) y luego ingrese la configuración de temperatura deseada y presione Start (Iniciar). La temperatura se puede configurar entre 300°F and 500°F.

Pautas del Utensilio para Freír con Aire

- Utilice utensilios de uso seguro para asar al utilizar el modo Air Fry (Freír con Aire).
- Se recomienda una charola plana oscura o una canasta de horno para freír con aire. Una bandeja oscura promueve un mejor dorado y que la comida quede más crocante.
- Al usar una canasta de horno para freír con aire o una canasta para hornear, se podrá colocar una charola plana sobre el estante que está debajo de las comidas para atrapar cualquier goteo.



Utensilio principal recomendado



Opciones de utensilios alternativos

Consejos Generales sobre el Modo para Freír con Aire

- El modo Air Fry (Freír con Aire) fue diseñado para cocinar en un solo estante.
- El modo Air Fry (Freír con Aire) fue diseñado para un uso sin precalentamiento.
- Se recomienda la posición del estante 4 para la mayoría de las comidas. Use la posición del estante 3 para comidas más gruesas.
- Con las comidas congeladas empaquetadas, utilice las instrucciones de cocción tradicionales para horno en relación a configuración de temperatura y tiempos de cocción esperados. Ajuste el tiempo de cocción para lograr la textura crujiente deseada.
- Al freír con aire comidas con salsa, se recomienda aplicar esta última al final de la cocción.
- Si las comidas se doran demasiado rápido, intente colocar la misma en un estante que se encuentre en una posición más baja o en una configuración de temperatura de horno más baja.
- En el caso de comidas empaquetadas, utilice las instrucciones de cocción tradicionales para horno en relación a la configuración de temperatura y tiempos de cocción esperados.
- No es necesario voltear o revolver la comida durante la cocción.
- Ubique la comida en una sola capa sobre la bandeja, sin sobrecargar la misma.
- Siempre controle la temperatura interior de la comida, a fin de confirmar que se hayan alcanzado las temperaturas mínimas seguras. Las temperaturas mínimas seguras de la comida se podrán encontrar en los paquetes y en foodsafety.gov.

TIPO DE COMIDA	POSICIÓN(ES) DE ESTANTES RECOMENDADAS	CONFIGURACIÓN DE TEMPERATURA RECOMENDADA (°F)	TIEMPO DE COCCIÓN RECOMENDADO (MÍN.)	NOTAS
Trozos de pescado fresco deshuesado o ave, empanados en forma de patitas, frituras crocantes, filetes	3 o 4	375-400	15-30	Use configuraciones de temperatura más bajas para piezas más grandes. Use utensilios brillantes.
Huesos frescos de alitas de pollo	3 o 4	375-400	25-40	Sale las alitas o cubra las mismas con un roce en seco si usará salsa luego de la cocción o hacia el final de la cocción.
Huesos frescos de patas o muslos de pollo	3 o 4	375-400	30-55	Use configuraciones de temperatura más bajas para piezas más grandes y más voluminosas.
Papas fritas frescas y delgadas (< ½ pulgada)	3 o 4	400-425	15-30	Se recomienda el uso de papel para hornear al preparar papas fritas frescas. Para frituras más crocantes, mezcle las papas fritas con almidón de maíz o harina de arroz antes de la cocción.
Papas fritas frescas y delgadas (< ½ pulgada)	3 o 4	375-400	20-35	Se recomienda el uso de papel para hornear al preparar papas fritas frescas. Para frituras más crocantes, mezcle las papas fritas con almidón de maíz o harina de arroz antes de la cocción.
Comidas envasadas congeladas	3 o 4 (use la posición de estante 3 para comidas más gruesas)	Use las instrucciones de cocción para horno tradicional (no para Freír con Aire) como guía de configuración de temperatura y tiempo de cocción. Con algunas comidas, se podrá requerir un tiempo de cocción adicional diferente al tiempo recomendado en el paquete. Si el horno está caliente al iniciar la cocción, la comida se podrá cocinar más rápido que el tiempo mínimo que figura en el paquete.		

Guía de Cocción para Recalentar

El modo de cocción Reheat (Recalentar) fue diseñado para calentar comidas cocinadas de forma previa en la temperatura para servir. El modo Reheat (Recalentar) fue diseñado para un uso sin precalentamiento y cuenta con dos configuraciones: High (Alta) y Low (baja). La comida deberá estar en un solo estante y se deberá colocar en el horno antes o inmediatamente después de iniciar este modo.

Pautas sobre los Utensilios para Recalentar

- Los utensilios usados en el modo Reheat (Recalentar) deberán ser de uso seguro en el horno.
- Se recomienda el uso de charolas metálicas. Si usará un utensilio no metálico tal como utensilios de vidrio o cerámica, consulte las instrucciones del fabricante para determinar si este utensilio puede ser usado.
- Es posible que sea necesario transferir comida a un recipiente diferente al cual fue refrigerado, ya que muchos recipientes de almacenamiento no metálico no podrán resistir cambios bruscos de temperatura.

Consejos Generales para el Modo de Recalentamiento

- No precaliente el horno al usar el modo Reheat (Recalentar).
- Se recomienda la posición de estante 3.
- Use Reheat High (Recalentar Alto) para comidas delgadas y pequeñas cantidades de comida; organice las comidas en una sola capa.
- Use Reheat Low (Recalentamiento Bajo) para comidas más gruesas, cantidades de comida más grandes, o comidas que sean propensas a dorarse en exceso.
- Las comidas se podrán cubrir con papel de aluminio al recalentar.
 - La comida cubierta retendrá más humedad en comparación con la comida no cubierta.
 - La comida cubierta tardará más en recalentarse que la comida no cubierta.
- Capas de comida más delgadas se recalentarán con mayor rapidez que las capas más gruesas.
- Almacene la comida de forma apropiada y controle la temperatura interior de la comida para confirmar que se alcanzaron temperaturas mínimas seguras. Es posible acceder a pautas sobre seguridad alimenticia en foodsafety.gov.

TIPO DE COMIDA	CONFIGURACIÓN RECOMENDADA	TIEMPO DE RECALENTAMIENTO APROXIMADO	NOTAS
Pizza con Masa Regular o Delgada	Alta	10 a 15 minutos	Dejar Descubierta
Pizza con Masa Alta	Alta	10 a 20 minutos	Deje la misma descubierta para una textura más crujiente, cubra con papel de aluminio para una textura más suave.
Sándwiches o Porciones Asadas	Alta	12 a 20 minutos	Deje los mismos sin cubrir para una textura más crujiente, cubra con papel de aluminio para una textura más suave.
Carnes Delgadas y/o Vegetales Pequeños	Alta	15 a 25 minutos	Deje sin cubrir.
Comidas Fritas tales como Patatas Fritas o Pechugas de Pollo	Alta	10 a 30 minutos	Deje sin cubrir.
Panqueques o Waffles	Alta	10 a 15 minutos	Deje los mismos sin cubrir para una textura más crujiente, cubra con papel de aluminio para una textura más suave.
Muffins, Panecillos o Pasteles	Baja	12 a 20 minutos	Deje los mismos sin cubrir para una textura más crujiente, cubra con papel de aluminio para una textura más suave.
Rodaja Completa de Pan	Baja	20 a 30 minutos	Deje la misma sin cubrir para una textura más crujiente, cubra con papel de aluminio para una textura más suave.
Cazuela, 1 a 2 Porciones	Baja	20 a 30 minutos	Cubra la cazuela en caso de no desear una superficie superior crujiente. La comida cubierta tardará más en recalentarse que la comida no cubierta.
Cazuela, 5 a 6 Porciones	Baja	25 a 45 minutos	Cubra la cazuela en caso de no desear una superficie superior crujiente. La comida cubierta tardará más en recalentarse que la comida no cubierta.
Rodaja de Tarta	Baja	10 a 15 minutos	Deje la misma sin cubrir para una textura más crujiente, cubra con papel de aluminio para una textura más suave.
Tarta Completa	Baja	25 a 40 minutos	Deje la misma sin cubrir para una textura más crujiente, cubra con papel de aluminio para una textura más suave.

Papel de Aluminio y Cobertores del Horno

⚠ PRECAUCIÓN

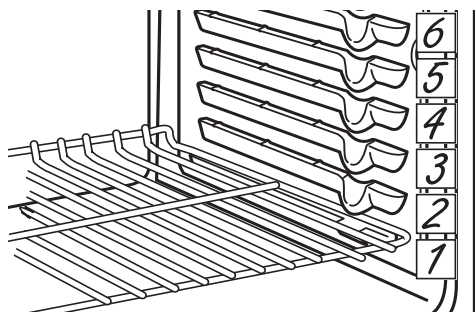
No use ningún tipo de aluminio o cobertor de horno para cubrir el fondo del horno. Estos ítems pueden atrapar el calor o derretirse, ocasionando daños sobre el producto y el riesgo de descargas, humo o incendios. Los daños por uso inadecuado de estos ítems no están cubiertos por la garantía del producto.

Se podrá usar aluminio para evitar derrames, colocando una hoja sobre un estante inferior varias pulgadas debajo de la comida. No use más aluminio que el necesario y nunca cubra totalmente el estante de un horno con papel de aluminio. Mantenga el aluminio a por lo menos 1 1/2" de las paredes del horno, para evitar una circulación deficiente del calor.

Estantes del Horno

Posición de las Parrillas

El horno cuenta con 6 posiciones de parrillas. El horno cuenta con seis posiciones de estantes. En la Guía de Cocción, se brindan recomendaciones de posiciones de los estantes para diferentes tipos de comidas. Se ajusta un estante en una dirección para afectar los resultados de cocción. Por ejemplo, si se prefieren partes superiores más oscuras en tartas, panecillos o galletas, pruebe moviendo la comida a un estante que se encuentre una posición más arriba. Si encuentra que las comidas están demasiado doradas en la parte superior, pruebe moviendo las mismas más abajo la próxima vez.



Al hornear con múltiples ollas y en múltiples estantes, asegúrese de que haya por lo menos 1 1/2" entre las ollas, a fin de dejar suficiente espacio para que fluya el aire. Esto podrá ayudar para lograr una cocción más pareja. Para evitar posibles quemaduras, coloque los estantes en la posición deseada antes de encender el horno.

Ventilaciones de Aire del Horno

Nunca bloquee las ventilaciones (aberturas de aire) de la estufa. Éstas proveen el aire en las entradas y salidas, el cual es necesario para que la estufa se mantenga fresca y funcione de forma correcta. Las aberturas de aire se encuentran ubicadas en la parte trasera de la superficie de cocción.

Parrillas Planas

Al colocar y retirar utensilios de cocina, empuje el estante hacia afuera del tope (posición de detención) sobre el soporte del estante. Para retirar un estante, empuje el mismo hacia usted hasta que alcance la posición de detención, incline el frente hacia arriba del estante y empuje el mismo hacia afuera. Para reemplazar un estante, coloque el extremo curvo del estante sobre los soportes de las parrillas. Incline el frente del estante hacia arriba y empuje hacia adentro hasta que se detenga. Luego ubique el estante de forma plana y empuje el mismo hacia adentro hasta que esté totalmente insertado en el horno.

Es posible que resulte difícil deslizar las parrillas, especialmente luego del ciclo de limpieza automática. Para mejorar las condiciones de deslizamiento, use una tela suave o una toalla de papel para frotar aceite vegetal sobre los extremos izquierdo y derecho de las parrillas y/o los soportes de las mismas. No use otros aceites de cocción tales como aceite de cacahuete, Pam® u otros espráis lubricantes, ya que esto podrá generar una descoloración o un residuo de color óxido sobre las parrillas y cavidades laterales.

NOTA: Retire aquellas parrillas que se encuentren en desuso al usar el horno para un precalentamiento más rápido, mayor eficiencia y óptimo rendimiento de la cocción. Consulte la sección de Accesorios para acceder a instrucciones sobre cómo realizar una orden de parrillas adicionales.

Superficie de Cocción – Gas

Limpieza para Uso Diario Normal

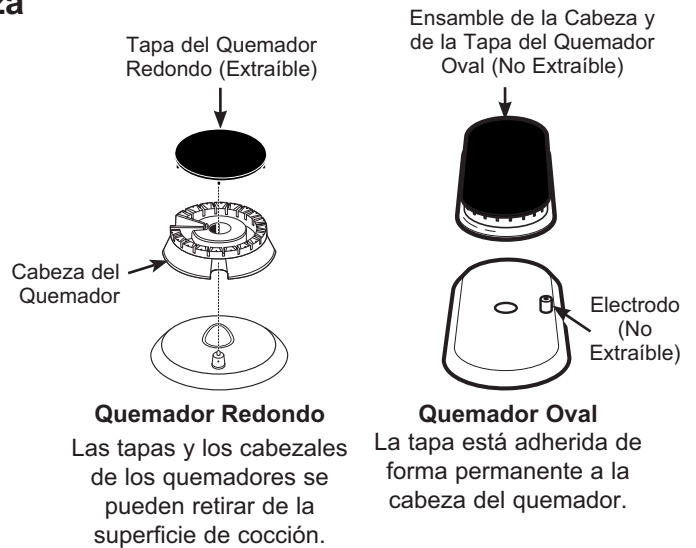
No use limpiadores de horno, limpiadores abrasivos, limpiadores líquidos fuertes, estropajos de acero, almohadillas para fregar de plástico, ni polvos limpiadores en el interior o el exterior del horno. Limpie el mismo con agua y jabón o una solución de vinagre y agua. Enjuague con agua limpia y seque con una tela seca. Al limpiar superficies, asegúrese de que estén a temperatura ambiente.

El derrame de adobo, jugos de fruta, salsas de tomate y líquidos para humedecer que contengan ácidos pueden ocasionar descoloración y se deberán limpiar tan pronto como las superficies calientes se enfrien, y luego limpie y enjuague.

Retiro de los Quemadores para su Limpieza

APAGUE todos los controles. Espere a que la placa de cocción se enfríe antes de retirar las rejillas y las partes del quemador. Al retirar las tapas y cabezas de los quemadores, recuerde su tamaño y ubicación. Vuelva a colocarlos en sus mismas ubicaciones luego de la limpieza.

⚠ PRECAUCIÓN No intente retirar las tapas del quemador ovalado de las cabezas de los quemadores.



Limpieza de los Cabezales de los Quemadores

Lave las tapas de los quemadores en agua caliente con jabón y enjuague con agua limpia. Puede fregar con una base de fregado plástica para eliminar partículas de comida

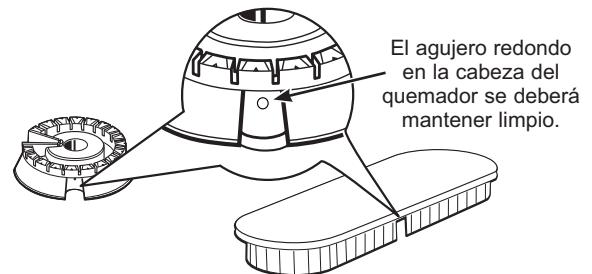
quemadas. Las tapas redondas también se pueden limpiar en un lavavajillas.

Limpieza de los Cabezales de los Quemadores

Limpie los cabezales de los quemadores de forma rutinaria, especialmente luego de derrames importantes, que podrían bloquear las aberturas. Retire los quemadores cuando estén fríos. Lave con agua caliente y jabón. Enjuague con agua limpia. Para eliminar las manchas más rebeldes, use un cepillo con cerda plástica.

NOTA: No use estropajos de acero ni almohadillas para fregar para limpiar las piezas de los quemadores, ya que estos podrán bloquear sus aberturas. Nunca limpie las cabezas de los quemadores en el lavavajillas. Hacer esto podrá producir su descoloración. Las hendiduras de las cabezas de los quemadores se deben mantener limpias en todo momento para obtener una llama pareja y sin obstrucción.

Para un encendido adecuado, asegúrese de que el agujero pequeño en la sección que coincide con el electrodo se mantenga abierto. Puede usar una aguja de coser o un precinto para desbloquearlo.



Superficie de Cocción – Gas

Reemplazo de los Cabezales de los Quemadores

Antes de colocar las tapas y cabezas de los quemadores y el ensamble de la cabeza/ tapa nuevamente, escurra el exceso de agua y luego seque las mismas totalmente. Vuelva a colocar las cabezas de los quemadores en las ubicaciones correctas, de acuerdo con sus tamaños. Asegúrese de que cada tapa esté correctamente posicionada sobre el cabezal del quemador, como se muestra a continuación.



La tapa del quemador NO está correctamente colocada.



La tapa del quemador NO está correctamente colocada.



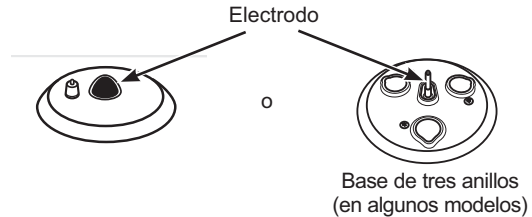
La tapa del quemador está correctamente colocada.

⚠ PRECAUCIÓN

No use la parte superior de la cocina sin que todas las partes de los quemadores y las parrillas estén en sus respectivos lugares.

Cualquier derrame en o alrededor de un electrodo se deberá limpiar de forma cuidadosa. Evite golpear el electrodo con cualquier objeto duro, ya que se podrá dañar.

El electrodo del encendedor de la chispa es expuesto cuando la cabeza del quemador es retirada. Cuando un quemador se gira a LITE, todos los quemadores hacen chispa. No intente desensamblar ni limpiar un quemador mientras otro quemador está encendido. Es posible que se produzca una descarga eléctrica, lo cual podría hacer que vuelque un utensilio de cocina caliente.



Parrillas de Quemadores

Las rejillas se deberán lavar con agua caliente y jabón y deberán ser enjuagadas con agua limpia. Para ablandar la comida quemada, coloque las parrillas en una solución que contenga ¼ de taza de amoníaco hogareño durante varias

horas. Luego, fregue las rejillas con un estropajo de plástico con agua caliente y jabón. Enjuague a fondo y seque.

Plancha no adherente

- Evite rayas sobre la superficie de la plancha con utensilios metálicos. Lave la plancha con detergente para platos y agua caliente. De ser necesario, frote con una almohadilla plástica no abrasiva.
- Si algo se derramó debajo de la plancha, se deberá limpiar tan pronto como sea posible para evitar que sea horneado en la placa de cocción.

- No permita que se acumule grasa debajo de la plancha, ya que puede haber riesgo de incendio. Limpie debajo de la plancha con agua caliente y jabón, tan pronto como sea posible.

Accesorio Reversible de Hierro Fundido de la Plancha/ Parrilla

- Limpie la plancha/ parrilla de hierro fundido reversible con un cepillo duro y agua caliente.
- No se recomienda el uso de jabón, y nunca se deben usar detergentes potentes, ya que eliminarán el curado.
- Enjuague la misma con agua caliente y séquela cuidadosamente.
- Luego del enjuague, presazone la plancha aplicando una capa suave de aceite de estufa sobre su superficies.
- Limpie el exceso de aceite con una toalla de papel.
- Guarde en un lugar frío y seco.

Precauciones de la Plancha:

- Si algo se derramó debajo de la plancha, se deberá limpiar tan pronto como sea posible para evitar que sea horneado en la placa de cocción.
- No permita que se acumule grasa debajo de la plancha, ya que puede haber riesgo de incendio. Limpie debajo de la plancha con agua caliente y jabón, tan pronto como sea posible.
- No lave la plancha en el lavavajillas.

Superficies Exteriores

Asegúrese de que todos los controles estén apagados y que las superficies estén frías antes de limpiar cualquier parte de la cocina.

⚠ ADVERTENCIA

Si se quita la cocina para efectuar una limpieza, reparaciones o cualquier otra razón, verifique que el dispositivo anti-volcaduras se coloque de manera adecuada cuando vuelva a instalarse la cocina. Si no toma esta precaución, la cocina puede volcarse y provocar lesiones.



NOTA: NO permita que el limpiador de acero inoxidable entre en contacto con cualquier parte plástica tal como las perillas de control o el panel de control. Si se produce un contacto no intencional de los limpiadores con las partes plásticas, limpie la parte plástica con una esponja y un detergente suave mezclado con agua caliente.

Perillas de control

Las perillas de control se pueden retirar para facilitar la limpieza. Verifique que las perillas estén en la posición **OFF (apagado)** y sáquelas de los vástagos para la limpieza. Las perillas pueden limpiarse en el lavavajillas o también pueden

lavarse con jabón y agua. Asegúrese de que la parte interna de las perillas esté seca antes de volver a colocarse. Vuelva a colocar las perillas en la posición **OFF (apagado)** para asegurar una colocación correcta.

Panel de control

Una buena idea es limpiar el panel de control luego de cada uso. Limpie con un jabón suave y agua o vinagre y agua, enjuague con agua limpia y pula en seco con una tela suave. No use limpiadores abrasivos, limpiadores líquidos fuertes, almohadillas para fregar de plástico ni limpiadores de horno en el panel de control; dañarán el acabado.

Si así lo desea, puede desactivar los botones de toque antes de la limpieza. Para bloquear o desbloquear los controles, mantenga presionada la tecla **Lock Control (Control de Bloqueo)** durante tres segundos.

Superficies de Acero Inoxidable

Limpie con un jabón suave y agua o una solución que sea mitad de vinagre y mitad de agua. Enjuague con agua limpia y seque con una tela seca. Al limpiar superficies, asegúrese de que estén a temperatura ambiente. Si las manchas en el borde de la ventana de la puerta son persistentes, use un limpiador abrasivo suave o una esponja con estropajo para obtener un mejor resultado. El derrame de adobo, jugos de fruta, salsas de tomate y líquidos para humedecer que contengan ácidos

pueden ocasionar descoloración y se deberán limpiar tan pronto como las superficies calientes se enfríen, y luego se deberán lavar y enjuagar. Para otros derrames tales como salpicaduras de grasa, lave con agua y jabón una vez que la superficie se haya enfriado. Enjuague bien.

No use limpiadores comerciales para horno, polvos de limpieza, estropajos de acero o abrasivos duros sobre cualquier superficie exterior.

Superficies de Acero Inoxidable (en algunos modelos)

No use virutas de acero; éstas dañarán la superficie. Para limpiar la superficie de acero inoxidable, use agua tibia con jabón o un limpiador o pulidor para acero inoxidable. Siempre limpie la superficie en la dirección del veteado. Siga las instrucciones del limpiador para limpiar la superficie de acero inoxidable.

Los limpiadores con ácido oxálico tales como Bar Keepers Friend Soft Cleanser™ eliminarán el óxido, deslustres y pequeñas manchas. Use sólo un limpiador líquido libre de material abrasivo y frote en la dirección de las líneas del cepillo con una esponja suave y húmeda.

Acero Inoxidable Resistentes a Huellas Dactilares y Otros Acabados (en algunos modelos)

NO use limpiadores de acero inoxidable sobre superficies de acero inoxidable resistentes a huellas dactilares.

IMPORTANTE: El uso de productos incorrectos podrá dañar el acabado exterior de Aceros Inoxidables Resistentes a Huellas Dactilares y otros acabados (es decir: blanco, negro inoxidable, pizarra, etc.) Por favor siga estas instrucciones y use sólo los ítems adecuados que figuran a continuación para limpiar las

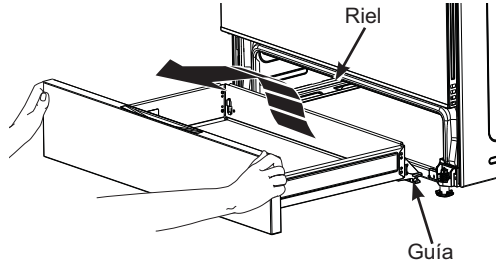
superficies de acero inoxidable. Limpie las superficies interior/ exterior con agua caliente, jabón o detergente suave, y una tela o microfibra suave para evitar daños. Limpie las superficies del electrodoméstico con una tela suave y limpia o con una toalla de microfibra para evitar rayones o manchas de agua, y asegurándose de eliminar cualquier residuo de limpieza.

Cajón de Almacenamiento

El cajón de almacenamiento es un buen lugar para guardar utensilios de cocina y panadería. No guarde plásticos ni materiales inflamables en el cajón. La mayor parte de la limpieza se puede realizar con el cajón en su lugar. Sin embargo, el cajón se podrá retirar en caso de que sea necesaria una mayor limpieza o para limpiar debajo de la estufa. Use agua caliente y jabón para limpiar a fondo. Nunca use abrasivos duros ni almohadillas para fregar.

Retiro del Cajón de Almacenamiento:

1. Empuje el cajón hacia afuera hasta que se detenga.
2. Incline el frente del cajón hacia adelante y empuje el cajón fuera de la estufa.



Reemplazo del Cajón de Almacenamiento:

1. Centre el cajón de almacenamiento de izquierda a derecha e inserte el mismo en la abertura, ajustando las guías del cajón sobre los rieles.
2. Mantenga el cajón nivelado y empuje el mismo hacia usted hasta que sienta que las guías del cajón encajen y apoyen sobre los rieles.
3. Empuje el cajón hasta cerrarlo.

Superficies Interiores

El interior de su nuevo horno se podrá limpiar de forma manual o usando el modo Steam Clean (Limpieza con Vapor).

El derrame de adobo, jugos de fruta, salsas de tomate y líquidos para humedecer que contengan ácidos pueden ocasionar descoloración y se deberán limpiar tan pronto como sea posible. Espere a que las superficies calientes se enfríen, y luego limpie y enjuague.

Limpieza Manual

No use limpiadores de horno (a menos que estén certificados para hornos con limpieza automática), limpiadores abrasivos, limpiadores líquidos fuertes, estropajos de acero, almohadillas para fregar, ni polvos limpiadores en el interior del horno.

Limpie el mismo con agua y jabón o con una solución 50/50 de vinagre y agua. Enjuague con agua limpia y seque con una tela seca. Al limpiar superficies, asegúrese de que estén a temperatura ambiente y fuera del contacto con la luz solar.

Modo de Limpieza con Vapor

La limpieza con vapor está pensada para limpiar pequeños derrames usando agua y una temperatura de limpieza más baja que la de Self-Clean (Limpieza Automática). El ciclo de limpieza con vapor fue diseñado para calentar lo suficiente el agua agregada en la parte inferior del horno al comenzar el ciclo de limpieza con vapor, de modo que se incremente su temperatura y que se la pueda luego condensar en las suciedades generadas por la comida, ablandándolas y haciendo más fácil su eliminación.

Para usar la función Steam Clean (Limpieza con Vapor), espere hasta que el horno se enfríe, de modo que pueda limpiar la grasa y suciedad acumulada en la parte inferior

del horno y para evitar verter agua fría en un fondo de horno caliente, evitando posibles choques térmicos y fisuras del esmaltado. Vierta ½ taza de agua en la parte inferior del horno. Cierre la puerta.

Presione la tecla Steam Clean (Limpieza con Vapor) y luego presione Start (Iniciar). No se deberá abrir la puerta durante los 30 minutos de la limpieza con vapor, ya que esto reducirá su rendimiento. Limpie cualquier exceso de agua y cualquier suciedad que haya quedado.

NOTA: El agua en la parte inferior del horno podrá estar caliente justo después de finalizado el ciclo.

Estantes

Todos los estantes se pueden lavar con agua caliente y jabón. Todas las parrillas del horno se podrán limpiar a mano con un limpiador abrasivo o viruta. Es posible que resulte más difícil deslizar las parrillas, especialmente luego de la limpieza automática.

Coloque aceite vegetal en una tela húmeda o en una toalla de papel y frote las mismas sobre los extremos izquierdo y derecho de las parrillas.

NOTA: Usar otros aceites de cocción tales como aceite de cacahuete, Pam® u otros espráis lubricantes, podrá generar una descoloración o un residuo de color óxido sobre los estantes y cavidades laterales. Para limpiar este residuo, use agua y jabón o una solución de vinagre y agua. Enjuague con agua limpia y seque con una tela seca.

Elementos calentadores del horno

No limpie el elemento para asar. Cualquier suciedad desaparecerá una vez calentado el elemento.

Interior del Horno de Porcelana

Con el cuidado apropiado, el acabado de esmalte de la porcelana en el interior del horno – parte superior, inferior, laterales, parte trasera e interior de la puerta - permanecerá con un aspecto nuevo por años. Espere a que el horno se enfríe antes de realizar su limpieza. Le recomendamos que use guantes de goma para limpiar el horno. El jabón y el agua normalmente harán el trabajo. Las salpicaduras y los derrames importantes podrán requerir que la limpieza se realice con un limpiador suave y abrasivo. También se podrán usar estropajos con jabón. No permita que los derrames de comida con alto contenido de azúcar o ácido (tal como tomates, chucrut, jugos de fruta o rellenos de tartas) permanezcan en la superficie. Podrán ocasionar una mancha importante luego de la limpieza. El amoníaco hogareño podrá facilitar el trabajo de la limpieza. Coloque ½ taza en un vaso de vidrio o envase de cerámica en un horno frío durante la noche. Los gases del amoníaco ayudarán a aflojar la grasa y la comida quemada. De ser necesario, usted podrá usar un limpiador de horno certificado para su uso en un horno con limpieza automática. Siga las instrucciones del paquete.

- No rocíe el limpiador para horno sobre los controles y enchufes eléctricos, ya que esto podrá ocasionar un cortocircuito y producir chisporroteos o un incendio.
- Evite que una capa del limpiador se acumule en el sensor de temperatura – podría hacer que el horno caliente de forma inadecuada. (El sensor está ubicado en la parte superior del horno). Con cuidado, limpie el sensor luego de cada limpieza del horno, teniendo cuidado de no mover el sensor, ya que un cambio de posición podría afectar la forma de hornear del horno.
- No rocíe ningún limpiador para horno sobre la puerta, manijas o cualquier superficie exterior del horno, gabinetes o superficie pintada. El limpiador podrá dañar estas superficies.

Superficies Interiores (Continúa)

Canasta para Freír con Aire (en algunos modelos)

La canasta para freír con aire se podrá lavar con agua caliente y jabón o se podrá limpiar en el lavavajillas.

No use un estropajo para limpiar la canasta para freír con aire, ya que esto podrá hacer que el acero inoxidable se oxide.

Charola de Horno EasyWash

Nunca use el horno sin la charola de horno EasyWash en su posición.

A fin de evitar choques térmicos y fisuras del esmaltado, espere hasta que la charola de horno EasyWash se enfríe antes de sumergirla en agua fría.

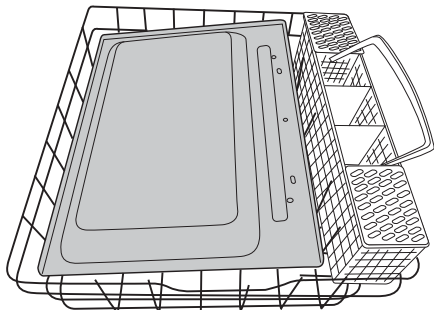
Le recomendamos limpiar cualquier suciedad floja o grande de la charola de horno EasyWash antes de retirar la misma del horno, con el fin de evitar el derrame de cualquier suciedad sobre el área que se encuentra debajo de la charola para horno EasyWash.

Tenga cuidado de que la charola de horno EasyWash no se caiga ni golpee contra superficies duras. Esto podrá dañar el esmaltado y no estará cubierto por la garantía del producto.

Las piezas que quedan visibles cuando se retira la charola de horno EasyWash mostrarán descoloración debido al calor. Esto no requiere del servicio técnico o limpieza. No intente limpiar estos componentes. Se espera que esto suceda con el uso normal, no afecta el rendimiento de la unidad u podrá cambiar con el paso del tiempo.

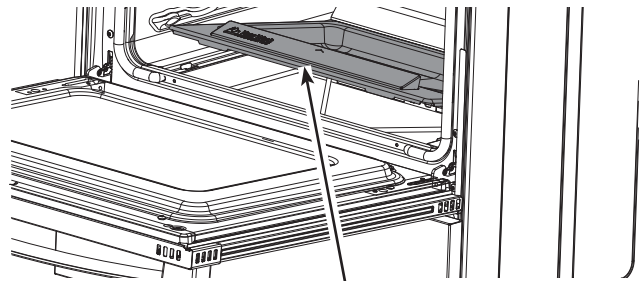
Se recomienda lavar la charola de horno EasyWash de forma manual, con el fin de preservar su aspecto original. En el caso de las manchas difíciles, remoje la charola de horno EasyWash en agua caliente y jabón durante 30 minutos antes del lavado. No use limpiadores abrasivos y ásperos. Se recomienda el uso de cepillos de nylon para frotar, almohadillas o raspadores. En el caso de las manchas rebeldes, se podrá usar un limpiador que contenga ácido oxálico, tal como Bar Keepers Friend™ Soft Cleanser. Asegúrese de enjuagar cualquier resto de limpiador en su totalidad. No hacer esto podrá ocasionar cambios sobre el aspecto de la superficie o daños sobre el acabado.

La charola de horno EasyWash se podrá colocar en el lavavajillas, con el lado sucio hacia abajo y a través de la parrilla inferior, como se muestra a continuación. Sin embargo, los detergentes para lavavajillas altamente alcalinos y el ciclo de selección podrán tener un impacto sobre el aspecto de la charola EasyWash con el paso del tiempo. Esto no obstaculizará el desempeño del horno.

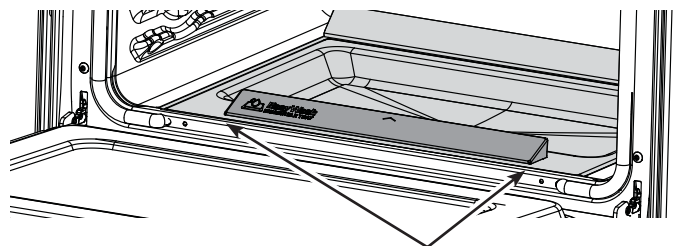


Asegúrese de que la charola del horno EasyWash esté completamente seca antes de volver a colocar la misma en el horno.

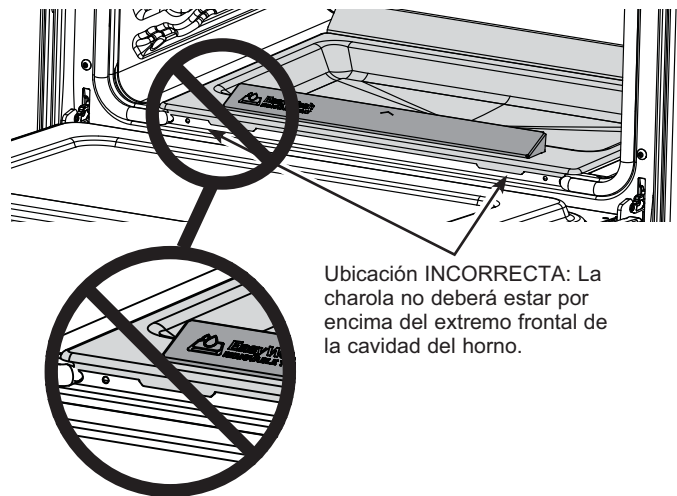
Oriente la charola de horno EasyWash en el producto, de modo que la escritura sobre la manija integrada quede en dirección hacia adelante, hacia el frente del producto. No orientar la charola de horno EasyWash de forma correcta al volver a colocarla podrá hacer que el horno caliente de forma despareja y que la cocción tenga un bajo rendimiento.



Ubicación CORRECTA. La manija mira hacia adelante.



Ubicación CORRECTA.



Ubicación INCORRECTA: La charola no deberá estar por encima del extremo frontal de la cavidad del horno.

El extremo trasero de la charola de horno EasyWash no se deberá empujar hacia atrás dentro de la ranura del marco inferior trasero, y el extremo frontal de la charola se deberá insertar en la cavidad del horno y ajustar de forma nivelada con el extremo frontal de la cavidad del horno, y no sobre el mismo. La charola de horno EasyWash se deberá ajustar a nivel y no de forma descendente hacia atrás.

Puerta del Horno

La puerta es muy pesada. Tenga cuidado al retirar y levantar la puerta. No levante la puerta usando la manija.

Para Limpiar El Exterior e Interior de la Puerta

Use agua y jabón para limpiar completamente la parte superior, los laterales y el frente de la puerta del horno. Enjuague bien. También puede usar un limpiador de vidrio para limpiar el vidrio de la parte exterior de la puerta. No permita el goteo de agua en las aberturas de la ventilación, orificios, o ranuras de la puerta.

- Si una mancha en el marco de la ventilación de la puerta es persistente, use un limpiador abrasivo suave o una esponja con estropajo para obtener un mejor resultado. No use este método sobre ninguna otra superficie.
- El derrame de adobo, jugos de fruta, salsas de tomate y materiales glaseados que contengan ácidos podrán ocasionar descoloración y se deberán limpiar de la forma más inmediata y segura posible. Cuando la superficie esté fría, lave y enjuague.
- No use limpiadores para horno, polvos de limpieza ni abrasivos duros sobre la parte exterior de la puerta.

Para retirar la puerta:

NOTA: No es un requisito que se retire la puerta para la instalación del producto, pero es conveniente.

1. Abra la puerta totalmente.
2. Empuje los bloqueos de la bisagra hacia abajo en dirección a la estructura de la puerta, hasta la posición desbloqueada. Es posible que necesite una herramienta tal como un destornillador pequeño de punta plana.
3. Firmemente tome ambos lados de la puerta por la parte superior.

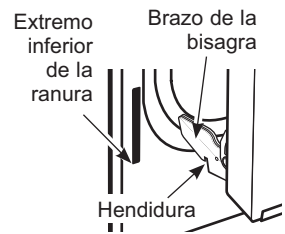


4. Cierre la puerta hasta la posición de retiro de la misma. La puerta debería ser abierta aproximadamente a 3", sin obstrucción sobre la misma.
5. Mueva la puerta hacia arriba y afuera, hasta que los brazos de las bisagras queden fuera de las ranuras del marco de la estufa.

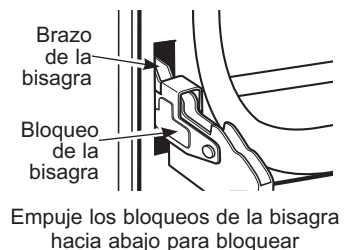


Para reemplazar la puerta:

1. Firmemente tome ambos lados de la puerta por la parte superior.
2. Con la puerta en el mismo ángulo que en la posición de retiro, coloque la abertura sobre el lado inferior del brazo de la bisagra izquierda sobre el extremo inferior de la ranura de la bisagra izquierda. La abertura en el brazo de la bisagra deberá estar totalmente apoyada en la parte inferior de la ranura. Repita el procedimiento del lado derecho.
3. Abra la puerta totalmente. Si la puerta no se abre completamente, entonces las aberturas en las partes inferiores de los brazos de las bisagras no se apoyaron de forma correcta sobre el extremo inferior de la ranura. Retire la puerta de la estufa y repita el paso anterior.



4. Empuje los bloqueos de la bisagra hacia abajo hasta la posición de bloqueo.
5. Cierre la puerta del horno.



Luz del Horno

⚠️ ADVERTENCIA **PELIGRO DE DESCARGA ELÉCTRICA O QUEMADURAS:** Antes de reemplazar la bombilla del horno, desconecte la alimentación de energía al horno desde el panel principal de fusibles o del interruptor de circuitos. No hacerlo puede provocar una descarga eléctrica o una quemadura.

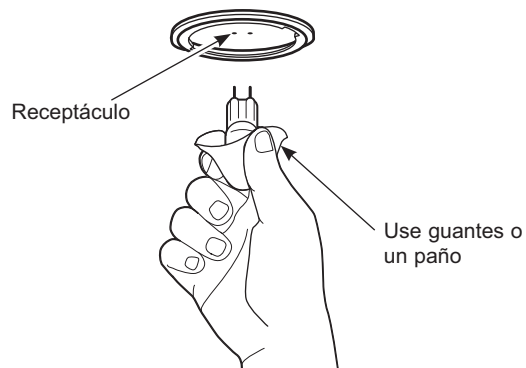
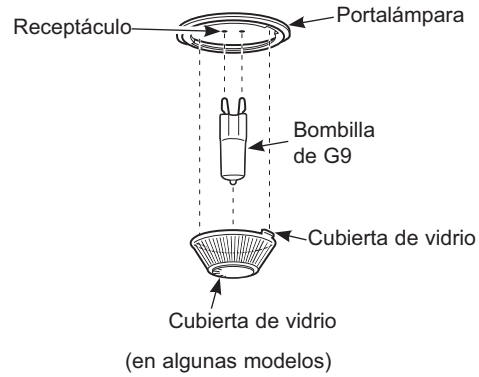
⚠️ PRECAUCIÓN **RIESGO DE INCENDIO:** La tapa de vidrio y la lámpara de luz se deberán retirar cuando estén frías. Tocar el vidrio caliente sin protección en las manos o con un trapo húmedo puede ocasionar quemaduras.

Para quitar la bombilla:

1. Gire la tapa de vidrio en sentido antihorario hasta haber retirado el vidrio. Colocarse guantes de látex puede brindar un mejor agarre.
2. Utilizando guantes o un paño seco, remueva la bombilla jalándola en línea recta.

Para reemplazar la bombilla:

1. Utilice una nueva bombilla halógena de 120/130 voltios, no exceda 50 vatios. Reemplace la lámpara de luz con el mismo tipo de lámpara que se retiró. Asegúrese al reemplazar la lámpara que sea de 120 volts o 130 volts (NO de 12 volts) y que posea una base G9.
2. Utilizando guantes o un paño seco, remueva la bombilla de su paquete. No toque la bombilla con los dedos desnudos. El aceite para piel dañará la lámpara y acortará su tiempo de duración.
3. Empuje la bombilla en línea recta dentro del receptáculo hasta el tope.
4. Vuelva a colocar la tapa de vidrio. Para una mejor iluminación dentro del horno, limpie frecuentemente la cubierta de vidrio utilizando un paño húmedo. Esto debería hacerse cuando el horno está completamente frío y la luz apagada.
5. Conecte nuevamente el suministro eléctrico al horno.


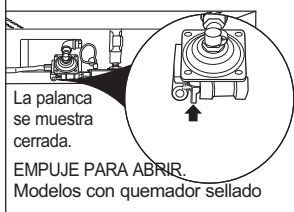


Consejos para la Solución de Problemas... Antes de solicitar el servicio técnico

¡Ahorre tiempo y dinero! Primero revise los cuadros que aparecen en las siguientes páginas y es posible que no necesite solicitar reparaciones. Acceda a los videos de ayuda y preguntas frecuentes (FAQ) a través de GEAppliances.com/support.

Problema	Causa Posible	Qué Hacer
La comida no se cocina de forma apropiada	Su horno nuevo cuenta con un sistema de cocción diferente con relación al anterior y, por lo tanto, es posible que cocine de forma diferente.	En los primeros usos, use los tiempos y temperaturas de su receta con cuidado. Si aún piensa que su horno nuevo cocina con demasiado calor o demasiado frío, podrá ajustar el termostato usted mismo para aplicar su preferencia de cocción específica. Consulte la sección Settings (Configuraciones).
	Controles del horno configurados de forma incorrecta.	Consulte la sección Modos de Cocción.
	La posición del estante es incorrecta o el estante no está nivelado.	Consulte la sección Modos de Cocción y la Guía de Cocción.
	Uso de una cacerola incorrecta o de una cacerola de tamaño incorrecto.	Consulte la sección Utensilio del Horno.
	La temperatura del horno debe ser ajustada.	Consulte la sección Configuraciones.
	Sustitución de ingredientes	Sustituir ingredientes puede modificar el resultado de la receta.
Las tortas quedan asimétricas/ desparejas	La unidad no fue nivelada de forma correcta durante su instalación	Nivele el horno. Consulte las Instrucciones de Instalación de la unidad.
Las parillas se deslizan solas hacia adentro y afuera	La unidad no fue nivelada de forma correcta durante su instalación	Nivele el horno. Consulte las Instrucciones de Instalación de la unidad.
La comida se “corre” hacia un lado de la charola o plancha	La unidad no fue nivelada de forma correcta durante su instalación	Nivele el horno. Consulte las Instrucciones de Instalación de la unidad.
A veces el horno tarda más en precalentarse a la misma temperatura	Utensilio o comida en el horno	El utensilio o la comida en el horno hará que éste tarde más en precalentarse. Retire estos artículos para reducir el tiempo de precalentamiento.
	Número de estantes en el horno	Agregar más estantes al horno hará que éste tarde más en precalentarse. Retire algunos estantes.
	Uso de una parrilla extensible en lugar de una parrilla plana	La parrilla extensible es más pesada que una parrilla plana y requiere más energía para calentar. Esto es normal. Para reducir el tiempo de precalentamiento, use una parrilla plana.
	Diferentes modos de cocción	Los diferentes modos de cocción utilizan diferentes métodos de precalentamiento para calentar el horno en un modo de cocción específico. Algunos modos tardarán más que otros.
La comida no asa de forma apropiada	Controles del horno configurados de forma incorrecta.	Asegúrese de seleccionar el modo correcto para asar. Consulte la sección de Modos de Cocción.
	Se usó una posición incorrecta del estante.	Para acceder a sugerencias de ubicación de estantes, consulte la Guía de Cocción.
	Se cocinó comida en una olla caliente.	Asegúrese de que el utensilio esté frío
	Utensilio de cocina inadecuado para asar.	Use una olla específicamente diseñada para asar
	El papel de aluminio usado para la olla y la rejilla para asar no se ajustó ni cortó de forma apropiada, según lo recomendado.	Si usará papel de aluminio, deberá usarse conforme con las aberturas de la olla.
Humo excesivo al asar	La comida está demasiado cerca del quemador y del elemento para asar	Baje la posición del estante con comida.
Olor fuerte	Un olor en la aislación alrededor del interior del horno es normal desde las primeras veces en que el horno es usado.	Esto es temporario y desaparecerá luego de varios usos.
La pantalla queda en blanco y el horno no funciona ni responde	El fusible puede haberse quemado o el interruptor de circuitos puede haber saltado.	Cambie el fusible o vuelva a configurar el interruptor de circuitos.
	El enchufe de la cocina no está introducido del todo en el tomacorriente.	Verifique que el enchufe eléctrico esté conectado a un tomacorriente con tensión y adecuada conexión a tierra.
La pantalla queda en blanco	El reloj está apagado.	Consulte la sección Settings (Configuraciones).

Consejos para la Solución de Problemas... Antes de solicitar el servicio técnico

Problema	Causa Posible	Qué Hacer
El control del horno no responde	El horno se encuentra en Sabbath Mode (Modo Sabático)	Verifique que el horno no esté en Sabbath Mode (Modo Sabático). Consulte la sección Sabbath Mode (Modo Sabático).
	La función Lock Controls (Controles de Bloqueo) está activada	Si aparece Loc (Bloqueo) en la pantalla y  está iluminado, el control de la estufa está bloqueado. Apague esta función para usar la estufa. Consulte la función Lock Control (Control de Bloqueo) en la sección de Controles del Horno.
La pantalla parpadea	Corte o exceso de corriente	Reinicie el reloj. Si el horno estuvo en uso, deberá reiniciar el mismo presionando la tecla Cancel (Cancelar) configurando el reloj y reiniciando cualquier función de cocción.
No es posible ingresar a Settings (Configuraciones)	Las teclas del control del horno no se presionaron de forma adecuada.	Las teclas Bake (Hornear) y Broil (Asar) se deberán mantener presionadas al mismo tiempo por 3 segundos.
El control emite un pitido y parpadea	Olvidó ingresar una temperatura de horneado o tiempo de limpieza.	Consulte sobre cómo configurar el horno en la sección de Controles del Horno.
Se oye un ventilador	Un ventilador de convección puede encenderse y apagarse automáticamente.	Esto es normal. Mientras se encuentren en uso, el ventilador de convección y los calentadores del horno realizarán ciclos de encendido y apagado según sea necesario para mantener las condiciones de cocción adecuadas.
Los quemadores de la superficie se iluminan pero los quemadores para hornear y asar no.	Es posible que el gas hacia los quemadores del horno esté cerrado.	 <p>La llave de gas del horno está ubicada en el regulador de gas, cerca del accesorio de la tubería de gas que se conecta a la estufa. Ubique la misma y gire la palanca.</p>
Sonido de “chisporroteo” o “traqueo”	Éste es el sonido de metal calentándose o enfriándose durante las funciones de cocción y limpieza..	Esto es normal.
¿Por qué la estufa hace un sonido de “clic” cuando uso el horno?	Su estufa fue diseñada para mantener un control más ajustado sobre la temperatura del horno.	Esto es normal.
La luz del horno no funciona	La lámpara está floja o presenta defectos.	Ajuste o reemplace la lámpara. Consulte la sección de Cuidado y Limpieza – Superficies Interiores / Luz del Horno para acceder a instrucciones sobre cómo reemplazar la bombilla.
	La luz de funcionamiento del interruptor está rota.	Llame al servicio técnico.
Es difícil deslizar las parrillas del horno	Cavidad sucia y/o parrillas planas que necesitan limpieza y lubricación	Consulte la sección de Cuidado y Limpieza - Superficies Interiores.
Emisión de vapor desde la ventilación	Cuando se utilizan los hornos, es normal ver una emisión de vapor de la ventilación del horno. A medida que el número de bandejas o la cantidad de alimentos a cocinar se incrementa, la cantidad de vapor visible se elevará.	Esto es normal.
Quedan restos de agua en la puerta del horno luego del ciclo Steam Cycle (Limpieza al Vapor).	Esto es normal.	Retire el agua restante con una esponja o tela seca.
No se produce vapor durante el ciclo de limpieza con vapor	Esto es normal.	Consulte la sección de Cuidado y Limpieza - Superficies Interiores.
El horno no realiza la limpieza con vapor.	Los controles del horno se configuraron de forma incorrecta.	Consulte la sección de Cuidado y Limpieza - Superficies Interiores.
	La puerta del horno no se cerró.	Asegúrese de cerrar la puerta para iniciar el ciclo de limpieza con vapor y no abra la puerta durante el mismo. Consulte la sección de Cuidado y Limpieza - Superficies Interiores.
La charola de horno EasyWash no calza con precisión	La charola de horno EasyWash no se instaló de forma correcta	Oriente la charola de horno EasyWash en el producto, de modo que la manija integrada esté mirando en dirección hacia adelante, hacia el frente del producto. Para más detalles, consulte la sección de Cuidado y Limpieza - Superficies Interiores.

Consejos para la Solución de Problemas... Antes de solicitar el servicio técnico

Problema	Causa Posible	Qué Hacer
"F – y un número o letra" titila en la pantalla	Tiene un código de error de función.	Presione la tecla Cancel (Cancelar) . Espere hasta que el horno se enfríe y luego vuelva a ponerlo en funcionamiento.
	Si el código de función se repite.	Presione la tecla Cancel (Cancelar) . Desconecte totalmente la corriente del horno durante por lo menos 30 minutos y vuelva a conectar la misma. Si el código de error de función se repite, llame al servicio técnico.
El horno no funciona en forma remota	Problemas en el enrutador, no hay señal inalámbrica, etc.	Consulte a su proveedor de internet o controle su enrutador inalámbrico para asegurarse de que no haya problemas.
	El horno no está conectado a su nuevo enrutador, sino que aún está conectado a su enrutador anterior.	Desconecte el horno y vuelva a conectarlo al enrutador nuevo. Consulte la sección de Conexión a Wi-Fi para volver a conectar el horno.
	El horno no está conectado.	Consulte la sección de Conexión a Wi-Fi.
	El tablero de Wi-Fi está apagado.	Encienda el tablero de Wi-Fi. Consulte la sección de Configuraciones.
	La función de control remoto activado está desactivada	Active la función de control remoto activado. Consulte la sección de Configuraciones.
La puerta de vidrio del horno parece estar "teñida" o tener un color "arcoíris".	El vidrio del horno interno está cubierto con una barrera de calor que refleja este último nuevamente hacia el horno, a fin de evitar la pérdida de calor y de mantener fría la puerta externa mientras se hornea.	Esto es normal en algunos modelos. Bajo ciertas luces y ángulos, es posible que visualice esta tinta o arcoíris.
La puerta del horno alineada.	La puerta no está bien	Dado que la puerta del horno es desmontable, a veces está torcida se desequilibra durante la instalación. Para alinear la puerta, vuelva a instalar la misma. Consulte la sección de Cuidado y Limpieza - Superficies Interiores – Puerta del Horno.
El cajón no se desliza bien o hay que tirar de él	El cajón no está bien alineado.	Extienda el cajón por completo y presiónelo hasta el fondo. Ver la sección Cuidado y Limpieza – Superficies Exteriores – Cajón de Almacenamiento.
	El cajón está muy cargado o la carga no está equilibrada.	Reduzca el peso. Redistribuya el contenido del cajón.
El cajón de almacenamiento no cierra	El soporte del cajón trasero se encuentra en la parte superior del riel de la guía.	Reposicione el cajón. Consulte la sección de Cuidado y Limpieza – Superficies Exteriores – Cajón de Almacenamiento.
Las unidades de superficie no mantienen un hervor constante o la cocción es lenta	El tamaño del quemador es demasiado pequeño para el utensilio	El tamaño de la llama sobre un quemador deberá coincidir con el tamaño del utensilio usado. Consulte la sección de Superficie de Cocción a Gas – Selección del Tamaño de la Llama
	El tamaño de la llama es demasiado grande para el utensilio	El tamaño de la llama sobre un quemador deberá coincidir con el tamaño del utensilio usado. Las llamas más grandes que la parte inferior del utensilio podrán ser peligrosas. Consulte la sección de Superficie de Cocción a Gas – Selección del Tamaño de Llama
	En algunas áreas, el valor calórico del gas podrá ser bajo	Cubra la charola con una tapa hasta obtener el nivel de calor deseado.

Consejos para la Solución de Problemas... Antes de solicitar el servicio técnico

Problema	Causa Posible	Qué Hacer
Los quemadores no se encienden	El enchufe de la estufa no está completamente insertado en el tomacorriente eléctrico.	Asegúrese de que el cable de electricidad esté enchufado en un tomacorriente correctamente conectado a tierra.
	El suministro de gas no fue conectado o encendido.	Consulte las Instrucciones de Instalación provistas con su estufa.
	Es posible que haya un fusible quemado en su hogar o que se haya desconectado el disyuntor.	Reemplace el fusible o reinicie el disyuntor.
	Las piezas del quemador no fueron reemplazadas correctamente.	Consulte la sección de Cuidado y Limpieza - Superficies Exteriores.
	Las ranuras de los quemadores cerca del electrodo, o el puerto del encendedor circular del quemador oval, podrán estar atascados.	Retire los quemadores o limpie los mismos. Controle que no haya comida quemada ni grasa en el área del electrodo. Consulte la sección de Cuidado y Limpieza - Superficies Exteriores.
	Residuos de comida en el electrodo o en el orificio.	Pula levemente el extremo plano del electrodo con una lima para uñas o con una lija hasta que quede brillante, o limpie el área alrededor del electrodo. Consulte la sección de Cuidado y Limpieza de las Superficies de Cocción.
Los quemadores superiores no queman de forma pareja	Ensamble del quemador inapropiado.	Asegúrese de que las tapas de los quemadores estén instaladas correctamente. Consulte la sección de Cuidado y Limpieza – Superficies de Cocción, Reemplazo de los Quemadores de la Superficie.
	Las ranuras sobre el costado del quemador podrán estar atascadas.	Retire los quemadores para su limpieza. Consulte la sección de Cuidado y Limpieza – Superficies de Cocción - Limpieza de los Cabezales de los Quemadores.
Las llamas de los quemadores son muy grandes o amarillas	Promedio inadecuado de aire a gas.	Si la estufa está conectada a gas propano o gas butano, contacte al técnico que instaló la estufa o que hizo la conversión.
Las llamas de los quemadores son anaranjadas	Nivel alto de humedad	Esto es normal en condiciones con alto nivel de humedad. Use un deshumidificador para reducir la humedad en la sala.

Garantía Limitada de la Estufa a Gas de GE Appliances

GEAppliances.com

Todo el servicio de garantía es provisto por nuestros Centros de Servicio de Fabricación, o un técnico autorizado de Customer Care®. Para programar una visita del servicio técnico a través de Internet, visítenos en **GEAppliances.com/service**, o llame a GE Appliances al 800.GE.CARES. Cuando llame para solicitar el servicio, tenga los números de serie y modelo disponibles.

Para realizar el servicio técnico de su electrodoméstico, se podrá requerir el uso de datos del puerto de abordaje para su diagnóstico. Esto da al técnico del servicio de fábrica de GE Appliances la habilidad de diagnosticar de forma rápida cualquier problema con su electrodoméstico, y de ayudar a GE Appliances a mejorar sus productos al brindarle a GE Appliances la información sobre su electrodoméstico. Si no desea que los datos de su electrodoméstico sean enviados a GE Appliances, solicitamos que le indique a su técnico no entregar los datos a GE Appliances en el momento del servicio.

Por el Periodo de	GE Appliances reemplazará
Un Año Desde la fecha de la compra original	Cualquier parte de la cocina que falle debido a un defecto en los materiales o la fabricación. Durante esta garantía limitada de un año , GE Appliances también proveerá, sin costo , todo el trabajo y el servicio en el hogar para reemplazar la parte que presente defectos.

Qué no cubrirá GE Appliances:

- Viajes del técnico del servicio a su hogar para enseñarle sobre cómo usar el producto.
- Instalación, entrega o mantenimiento inadecuados.
- Fallas del producto en caso de abuso, mal uso, modificación o uso para propósitos diferentes al original o uso comercial.
- Reemplazo de fusibles de la casa o reinicio de disyuntores.
- Daños ocasionados sobre el producto por accidente, incendio, inundaciones o catástrofes naturales.
- Daños sobre el acabado, tales como óxido sobre la superficie, deslustres o manchas pequeñas no informadas dentro de las 48 horas luego de la entrega.
- Daños incidentales o consecuentes causados por posibles defectos sobre este producto.
- Daño causado después de la entrega.
- Producto no accesible para brindar el servicio requerido.
- Solicite el servicio técnico para reparar o reemplazar las lámparas, excepto las lámparas LED.

EXCLUSIÓN DE GARANTÍAS IMPLÍCITAS

Su única y exclusiva alternativa es la reparación del producto, como se indica en la Garantía Limitada. Las garantías implícitas, incluyendo garantías implícitas de comerciabilidad o conveniencia sobre un propósito particular, se limitan a un año o al período más corto permitido por la ley.

Esta garantía limitada se extiende al comprador original y a cualquier propietario posterior de los productos comprados para uso doméstico dentro de EE. UU. Si el producto está en un área donde no se encuentra disponible un Proveedor Autorizado del Servicio Técnico de GE Appliances, usted será responsable por el costo de un viaje o se podrá requerir que traiga el producto a una ubicación del Servicio Técnico de GE Appliances autorizado para recibir el servicio. En Alaska, la garantía limitada excluye el costo de envío o visitas de servicio a su domicilio. Algunos estados no permiten la exclusión o limitación de daños fortuitos o consecuentes. Esta garantía limitada le otorga derechos legales específicos, y usted también podría tener otros derechos que varían de estado a estado. Para conocer cuáles son sus derechos legales, consulte a la oficina de asuntos del consumidor local o estatal o al Fiscal de su estado.

Garante: GE Appliances, a Haier company

Louisville, KY

Garantías Extendidas: Adquiera una garantía extendida de GE Appliances y conozca los descuentos especiales que están disponibles mientras su garantía aún está vigente. Puede acceder a la misma a través de Internet en cualquier momento en

GEAppliances.com/extended-warranty

o llamando al 800.626.2224 durante el horario comercial. Los Servicios para los GE Appliances aún estarán disponibles cuando su garantía caduque.

Abroche su recibo aquí. Para acceder al servicio técnico de acuerdo con la garantía deberá contar con la prueba de la fecha original de compra.

Accesorios

¿Busca Algo Más?

¡GE Appliances ofrece una variedad de accesorios para mejorar sus experiencias de cocción y mantenimiento!

Para acceder a números telefónicos e información de sitios Web, consulte la página de Soporte para el Consumidor.

Estos y otros productos están disponibles:

Accesorios

Olla para Asar Pequeña (8 ¾" x 1 ¼" x 13 ½")

Olla para Asar Grande* (12 ¾" x 1 ¼" x 16 ½")

Olla para Asar Extra Grande** (17 ¾" x 1 ¼" x 19 ½")

Plancha/ Parrilla de Hierro Fundido

Piezas

Estantes del horno

Elementos del horno

Lámparas de luz

Sonda

Suministros de Limpieza

Limpiadores de Acero Inoxidable CitriShine™

Limpiador para Electrodomésticos de Acero Inoxidable

Almohadillas de Limpieza no Abrasivas para Superficies de Cocción de Cerámica

Limpiador para Superficies de Cocción de Cerámica

Espátula para Superficies de Cocción de Cerámica

Kit (el kit incluye crema y espátula para placa de cocción)

*La olla para asar grande no entra en cocinas de 20"/24".

**La olla XL no entra en hornos de pared de 24", empotrables de 27" o cocinas de 20"/24".

NOTAS: Vaya al sitio web de GE Appliances para ver los limpiadores recomendados.

Soporte para el Consumidor

Sitio Web de GE Appliances

¿Desea realizar una consulta o necesita ayuda con su electrodoméstico? ¡Intente a través del Sitio Web de GE Appliances las 24 horas del día, cualquier día del año! Usted también puede comprar más electrodomésticos maravillosos de GE Appliances y aprovechar todos nuestros servicios de soporte a través de Internet, diseñados para su conveniencia.

En EE.UU.: GEAppliances.com

Registre su Electrodoméstico

¡Registre su electrodoméstico nuevo a través de Internet, según su conveniencia! Un registro puntual de su producto permitirá una mejor comunicación y un servicio más puntual de acuerdo con los términos de su garantía, en caso de surgir la necesidad. También puede enviar una carta en la tarjeta de inscripción preimpresa que se incluye con el material embalado.

En EE.UU.: GEAppliances.com/register

Servicio Programado

El servicio de reparación de expertos de GE Appliances está a sólo un paso de su puerta. Conéctese a través de Internet y programe su servicio a su conveniencia cualquier día del año. En EE.UU.: GEAppliances.com/service o comuníquese al 800.432.2737 durante el horario de atención comercial.

Garantías Extendidas

Adquiera una garantía extendida de GE Appliances y conozca los descuentos especiales que están disponibles mientras su garantía aún está vigente. La puede adquirir en cualquier momento a través de Internet. Los servicios de GE Appliances aún estarán allí cuando su garantía caduque.

En EE.UU.: GEAppliances.com/extended-warranty

o comuníquese al 800.626.2224 durante el horario de atención comercial.

Conectividad Remota

Para solicitar asistencia para la conectividad de red inalámbrica (para modelos con acceso remoto), visite nuestro sitio web en GEAppliances.com/connect o comuníquese al 800.220.6899 en EE.UU.

Piezas y Accesorios

Aquellos individuos calificados para realizar el servicio técnico de sus propios electrodomésticos podrán solicitar el envío de piezas o accesorios directamente a sus hogares (se aceptan las tarjetas VISA, MasterCard y Discover). Ordene hoy a través de Internet durante las 24 horas, todos los días. En EE.UU.: GEApplianceparts.com o de forma telefónica al 877.959.8688 durante el horario de atención comercial.

Las instrucciones que figuran en este manual cubren los procedimientos que serán realizados por cualquier usuario. Otros servicios técnicos generalmente deben ser derivados a personal calificado del servicio. Se deberá tener cuidado, ya que una reparación indebida podrá hacer que el funcionamiento no sea seguro.

Contáctenos

Si no se encuentra satisfecho con el servicio que recibió de GE Appliances, comuníquese con nosotros a través de nuestro sitio Web con todos los detalles, incluyendo su número telefónico, o escriba a:

En EE.UU.: General Manager, Customer Relations | GE Appliances, Appliance Park | Louisville, KY 40225

GEAppliances.com/contact