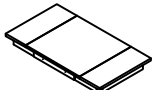
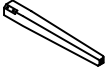





# ASSEMBLY INSTRUCTION INSTRUCCIONES

# 2326T-3666 DINING TABLE 2326T-3666 MESA DE COMEDOR

## PARTS LIST LISTA DE PARTES

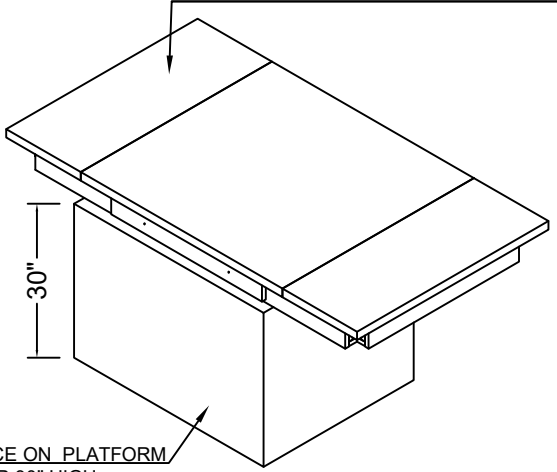
1		1 PC/PIEZA
2		4 PCS/PIEZAS

A		Bolt Ø5/16"*18*3-1/8"	8 PCS/PIEZAS
B		Allen key 4*60mm	1 PC/PIEZA
ASSEMBLY TOOL NOT INCLUDED			

## ASSEMBLY INSTRUCTION INSTRUCCIONES

**Step 1**

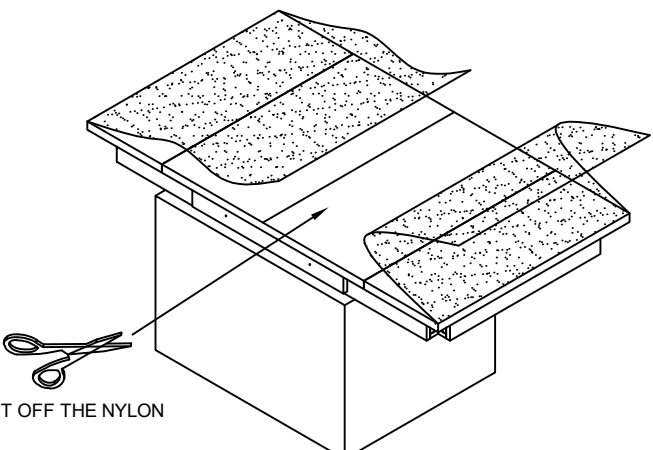
DO NOT REMOVE NYLON  
Until table is placed on the assembly platform.



30"

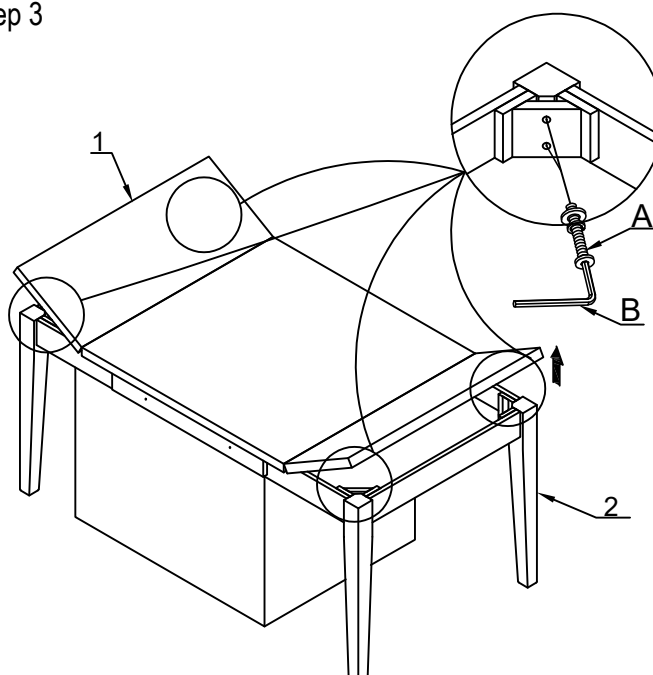
PLACE ON PLATFORM  
OVER 30" HIGH

**Step 2**



CUT OFF THE NYLON

**Step 3**



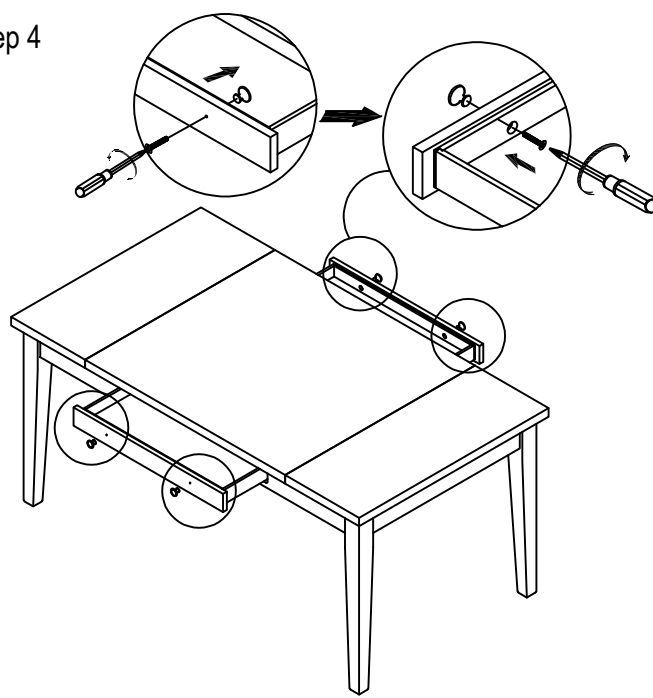
1

A

B

2

**Step 4**



DO NOT TIGHTEN ALL BOLTS UNTIL COMPLETELY ASSEMBLED.  
NO APRETERER LOS TORNILLOS HASTA ARMAR COMPLETAMENTE.