

Perlick® 24" ADA-COMPLIANT SERIES
Beverage Center



eco friendly
R600a Refrigerant



JOB	
AREA	
ITEM NO.	
MODEL NO.	



Glass Door Model



Solid Door Model

MODELS	DESCRIPTION
HA24BB-4-1R/L	Indoor ADA Beverage Center Solid Stainless Steel Door
HA24BB-4-2R/L	Indoor ADA Beverage Center Solid Panel Ready Door
HA24BB-4-3R/L	Indoor ADA Beverage Center Stainless Steel Glass Door
HA24BB-4-4R/L	Indoor ADA Beverage Center Panel Ready Glass Door

KEY PRODUCT FEATURES AND BENEFITS

- Industry's largest selection of ADA compliant models for accessible and aging in place designs
- 800 BTU/hr capacity delivers commercial grade cooling performance
- Variable speed compressor minimizes sound, up to 30% quieter than competitors
- Commercial-grade all stainless steel interior provides superior durability and easy cleaning; black vinyl exterior for built in applications
- Wine and refrigerator shelves fully extend on vibration dampened, stainless steel ball-bearing glides; stainless steel wine shelves will not absorb odors over time

Quick Features:

- Industry's best full 6 year warranty for owner ease of mind
- Available with stainless steel or panel ready door to match your design style
- Audible door alarm warns user if door is held open
- Selectable blue or white LED lighting
- R600a Natural Refrigerant offers maximum energy efficiency with zero ozone depletion potential
- Storage for up to 62 cans and 16 bottles of wine



24" ADA-COMPLIANT SERIES
Beverage Center

MODEL NUMBERS		HA24BB
MODEL DESCRIPTION		Indoor Beverage Center
ATTRIBUTES		
Perlick Anti-Condensation System		NO
Energy Star Certified		YES
OVERALL DIMENSIONS	Width - in. (mm)	23-7/8" (606 mm)
	Depth - in. (mm)	24" (610 mm)
	Height - in. (mm)	32" (813 mm)
OPENING DIMENSIONS	Width - in. (mm)	24" (610 mm)
	Depth - in. (mm)	24-7/8" (632 mm)
	Height - in. (mm)	32-1/4" (819 mm)
INTERNAL VOLUME Net. Cu. Ft.		4.8 cu. ft total
SHIPPING WEIGHT Lbs. (kg.)		181 lbs (82.27 kg)
ELECTRICAL SPECIFICATIONS	Electrical Supply	115 VAC/60 Hz/1 Ph
	Running Load Amps	2.2 amps
	Electrical Connection	Cord connected
	Cord Plug Type	NEMA 3 Prong 5-15P
	Cord Length	6'
	Defrost Initiation	Automatic
	Defrost Type	Off cycle
	Thermostat	Digital
REFRIGERATION SPECIFICATIONS	Refrigerant	R600a (50g)
	Expansion Device	Capillary Tube
	Temperature Settings F°(C°)	33° (0.5°) - 48° (8.8°) Factory Set Point 36° (2.2°)
	Heat Rejection (at 75°F)	450 BTU/hr
	Pull Down Capacity	800 BTU/hr
	Front Vented	Yes
PLUMBING		None Required

Installation Notes: To achieve 24" install depth, place electrical connection adjacent to the installation cavity.

ACCESSORIES

MODEL NOS.	DESCRIPTION
(L)	Factory Installed Lock
67164	6" Toe Kick Kit (includes riser) for HA24 models
66736	Caster Kit for HP24/HC24/HA24 models
RS-24-24D	Divider Shelf for HP24/HC24/HA24 models

Perlick accessories are available for purchase through an authorized Perlick dealer. For a full list of accessories and to find a dealer near you, visit perlick.com.

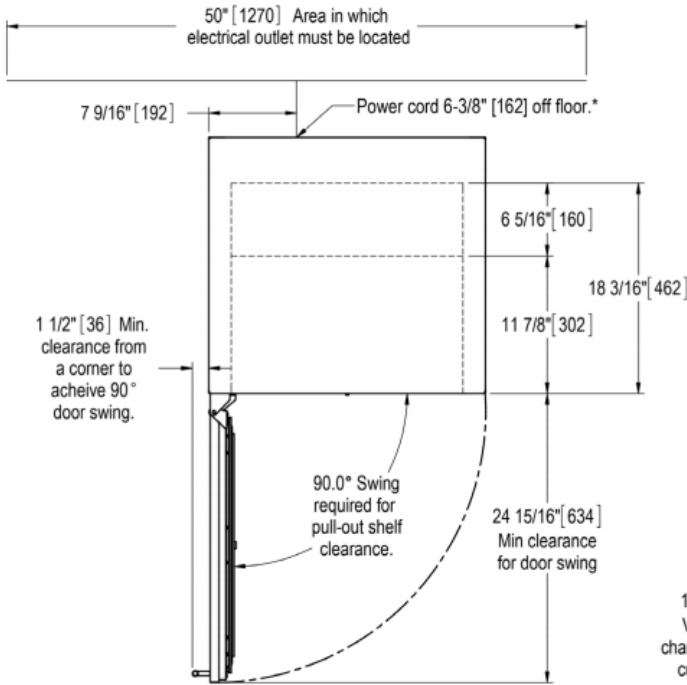


24" ADA-COMPLIANT SERIES
Beverage Center

CUSTOMER MODEL NUMBER	REGULATORY MODEL NUMBER	Hinge Side	Lock
HA24BB-4-1L	HA24BB4C-00-SLS0B	Left	No
HA24BB-4-1R	HA24BB4C-00-SRS0B	Right	No
HA24BB-4-2L	HA24BB4C-00-PL00B	Left	No
HA24BB-4-2R	HA24BB4C-00-PR00B	Right	No
HA24BB-4-3L	HA24BB4C-00-TLS0B	Left	No
HA24BB-4-3R	HA24BB4C-00-TRS0B	Right	No
HA24BB-4-4L	HA24BB4C-00-RL00B	Left	No
HA24BB-4-4R	HA24BB4C-00-RR00B	Right	No
HA24BB-4-1LL	HA24BB4C-00-SLSLB	Left	Yes
HA24BB-4-1RL	HA24BB4C-00-SRSLB	Right	Yes
HA24BB-4-2LL	HA24BB4C-00-PL0LB	Left	Yes
HA24BB-4-2RL	HA24BB4C-00-PR0LB	Right	Yes
HA24BB-4-3LL	HA24BB4C-00-TLSLB	Left	Yes
HA24BB-4-3RL	HA24BB4C-00-TRSLB	Right	Yes
HA24BB-4-4LL	HA24BB4C-00-RL0LB	Left	Yes
HA24BB-4-4RL	HA24BB4C-00-RR0LB	Right	Yes



24" ADA-COMPLIANT SERIES
Beverage Center



* - Leg levelers can add 3/4" [19] to these dimensions when fully extended.

