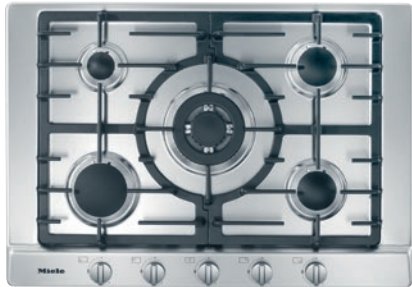


KM 2032 G
Gas cooktop
with 5 burners for particularly versatile cooking convenience.



- Simple controls -single-handed operation via rotary dial control
- Professional design – 29 5/8 (750) in (mm) wide stainless steel trough
- Extremely safe – GasStop function
- Easy cleaning – ComfortClean dishwasher-safe grates

EAN: 4002515962473 / Material number: 10735660 / Old Material Number: 26203250USA

Heating type	
Fuel type	Gas
Construction type	
Independent of oven	•
Design	
Stainless steel trough	•
Cast iron pot rest (matte black enameled)	•
Ring features	
No. of rings	5
1st cooking zone/cooking area	
Position	front left
Type	High-speed burner
Max. rating in W	2500
2nd cooking zone/cooking area	
Position	rear left
Type	Economy burner
Max. rating in W	1100
3rd cooking zone/cooking area	
Position	Centered
Type	Single wok burner
Max. rating in W	3300
4th cooking zone/cooking area	
Position	rear right
Type	Standard burner
Max. rating in W	1600
5th cooking zone/cooking area	
Position	front right
Type	Standard burner
Max. rating in W	1600
Control panel	
Operation via knobs	•
Electronic ignition with one-handed operation	•
Cleaning convenience	
Dishwasher-safe trivets	•
PerfectClean burner	•
Safety	
GasStop	•
Technical data	
Dimensions (W x H x D) in mm	
Width in in. (mm)	29 5/8 (750)
Height in in. (mm)	3 5/8 (90)
Dimensions in mm (depth)	20 1/2 (520)
Cutout dimensions in mm (width) with surface-mounted installation	22 1/8 (560)
Cutout dimensions in mm (depth) with surface-mounted installation	19 (480)
Weight in kg	35 (16)
Total rated load in kW	10.17
Voltage in V	120
Frequency in Hz	60

KM 2032 G

Gas cooktop

with 5 burners for particularly versatile cooking convenience.



EAN: 4002515962473 / Material number: 10735660 / Old Material Number: 26203250USA

Power cord length in ft. (m)

3 (1.2)

Standard accessories

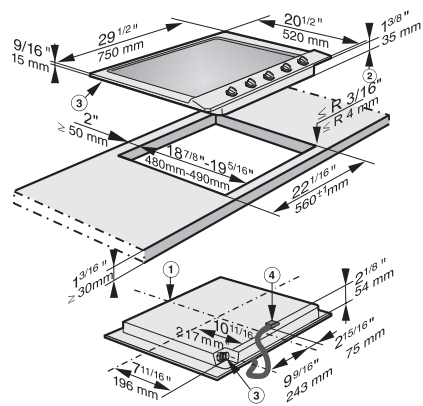
Connection wire

Yes

KM 2032 G

Gas cooktop

with 5 burners for particularly versatile cooking convenience.



KM2032G (installation drawing) USA

1. Front, 2. Building-in depth, 3. Gas connection R 1/2 - ISO 7-1 (DIN 2999), 4. Mains connection box with mains connection cable, L = 1200 mm