



# HOSHIZAKI

## Parts List

Refrigerated Kitchen Equipment  
Steelheart B Series

Models  
Undercounter  
Worktop  
Prep Table



[hoshizakiamerica.com](http://hoshizakiamerica.com)

Number: 71437  
Issued: 7-31-2020  
Revised: 10-17-2025

## CONTENTS

Auxiliary Codes.....	3
Model Codes .....	12
A. Main Assembly .....	14
UR27B, WR27B, SR27B, UF27B, and WF27B Undercounter, Worktop, and Prep Table	14
UR36B, WR36B, SR36B Undercounter, Worktop, and Prep Table .....	17
UR48B, WR48B, SR48B, UF48B, and WF48B Undercounter, Worktop, and Prep Table	19
UR60B, WR60B, SR60B, UF60B, and WF60B Undercounter, Worktop, and Prep Table	22
UR72B, WR72B, SR72B Undercounter, Worktop, and Prep Table .....	26
B. Refrigeration Circuit.....	30
UR27B and WR27B Undercounter and Worktop.....	30
SR27B, UF27B, WF27B, UR36B, WR36B, and SR36B Undercounter, Worktop, and Prep Table.....	32
UR48B, WR48B, UF48B, WF48B, and SR48B Undercounter, Worktop, and Prep Table	34
UR60B, WR60B, UF60B, WF60B, and SR60B Undercounter, Worktop, and Prep Table	36
UR72B, WR72B, and SR72B Undercounter, Worktop, and Prep Table .....	38
C. Door-Right Hinged Solid.....	40
D. Door-Left Hinged Solid .....	42
E. Door-Right Hinged Glass.....	44
F. Door-Left Hinged Glass .....	45
G. Drawers.....	46
H. Accessories & Labels .....	50

## Auxiliary Codes

### UR27B

K-5 March 2020  
L-5 June 2021  
M-5 January 2022  
M-6 September 2022  
N-5 January 2023  
P-5 January 2024  
P-6 November 2024  
Q-5 January 2025

### UR27B-GLP01

K-5 March 2020  
L-5 July 2021  
M-5 May 2022  
M-6 September 2022  
N-5 January 2023  
P-5 August 2024  
Q-5 February 2025

### UR27B-01

L-5 June 2021  
M-5 May 2022  
N-5 January 2023  
P-5 March 2024  
P-6 October 2024  
Q-5 February 2025

### UR27B-LP

L-5 June 2021  
M-5 January 2022  
M-6 September 2022  
N-5 January 2023  
P-5 January 2024  
P-6 December 2024  
Q-5 January 2025

### UR27B-LPC

L-5 June 2021  
M-5 January 2022  
M-6 November 2022  
N-5 March 2023  
P-5 January 2024  
Q-5 January 2025

### UR27B-LPW

L-5 June 2021  
M-5 February 2022  
M-6 September 2022  
P-5 April 2024

### UR27B-LPCL

M-5 June 2022  
M-7 December 2022  
N-5 March 2023  
P-5 February 2024  
P-6 November 2024  
Q-5 January 2025

### UR27B-D2

L-5 June 2021  
M-5 January 2022  
M-6 September 2022  
M-7 December 2022  
N-5 January 2023  
P-5 January 2024  
P-6 October 2024  
Q-5 January 2025

### UR27B-LPD2

Q-5 March 2025

### UR27B-LPD3

Q-5 January 2025

### UR27B-LPL

P-5 May 2024  
Q-5 January 2025

### WR27B

L-5 June 2021  
M-5 February 2022  
M-6 September 2022  
N-5 June 2023  
P-5 May 2024  
P-6 October 2024  
Q-5 January 2025

### WR27B-01

L-5 September 2021  
M-5 May 2022  
N-5 May 2023  
P-5 April 2024

### WR27B-D2

L-5 June 2021  
M-5 May 2022  
M-6 September 2022  
M-7 December 2022  
N-5 January 2023  
P-5 January 2024  
P-6 November 2024  
Q-5 January 2025

### WR27B-L

Q-5 July

## Auxiliary Codes Continued

### **SR27B-8**

L-5 June 2021  
M-5 January 2022  
M-6 October 2022  
N-5 January 2023  
N-6 September 2023  
P-5 January 2024  
Q-5 January 2025

### **SR27B-8D2**

L-5 July 2021  
M-5 February 2022  
N-6 July 2023  
P-5 July 2024

### **SR27B-12M**

K-5 February 2020  
M-5 January 2022  
M-6 September 2022  
M-7 December 2022  
N-5 February 2023  
N-6 October 2023  
P-5 January 2024  
Q-5 January 2025

### **SR27B-12MD2**

K-5 November 2020  
L-5 June 2021  
M-5 February 2022  
M-6 October 2022  
N-6 November 2023  
P-5 March 2024

### **SR27B-12MFL**

Q-5 February 2025

### **UF27B**

K-5 March 2020  
L-5 June 2021  
M-5 January 2022  
M-6 September 2022  
N-5 January 2023  
P-5 January 2024  
P-6 November 2024  
Q-5 January 2025

### **UF27B-GLP01**

K-5 March 2020  
L-5 July 2021  
M-5 June 2022  
N-5 February 2023  
P-5 February 2024  
P-6 November 2024  
Q-5 February 2025

### **UF27B-01**

L-5 July 2021  
M-5 May 2022  
M-6 September 2022  
N-5 April 2023  
P-5 April 2024

### **UF27B-LP**

L-5 June 2021  
M-5 February 2022  
M-6 October 2022  
N-5 January 2023  
P-5 March 2024  
P-6 November 2024  
Q-5 January 2025

### **UF27B-LPD2**

Q-5 March

### **UF27B-D2**

L-5 June 2021  
M-5 February 2022  
M-7 December 2022  
N-5 January 2023  
P-5 January 2024  
P-6 November 2024  
Q-5 January 2025

### **WF27B**

K-5 November 2020  
M-5 February 2022  
M-7 December 2022  
N-5 January 2023  
P-5 February 2024  
P-6 October 2024  
Q-5 January 2025

### **WF27B-01**

L-5 June 2021  
M-5 April 2022  
M-6 November 2022  
N-5 May 2023  
P-5 April 2024

### **WF27B-D2**

L-5 June 2021  
M-5 April 2022  
M-6 November 2022  
N-5 March 2023  
P-5 February 2024  
P-6 October 2024  
Q-5 January 2025

## Auxiliary Codes Continued

### **UR36B**

K-5 February 2020  
L-5 June 2021  
M-5 February 2022  
M-6 September 2022  
M-7 December 2022  
N-5 February 2023  
P-5 January 2024  
P-6 October 2024  
Q-5 January 2025

### **UR36B-01**

L-5 September 2021  
M-5 June 2022  
N-5 May 2023  
Q-5 January 2025

### **UR36B-LP**

Q-5 March 2025

### **UR36B-D2**

Q-5 TBD

### **UR36B-LPD2**

Q-5 TBD

### **WR36B**

L-5 June 2021  
M-5 June 2022  
N-5 February 2023  
Q-5 January 2025

### **WR36B-01**

L-5 September 2021  
M-5 June 2022  
M-6 September 2022  
N-5 February 2023

### **WR36B-D2**

Q-5 TBD

### **SR36B-10**

L-5 June 2021  
M-5 May 2022  
M-6 September 2022  
N-5 February 2023  
P-5 May 2024  
Q-5 January 2025

### **SR36B-15M**

K-5 February 2020  
L-5 June 2021  
M-5 February 2022  
M-6 September 2022  
N-5 January 2023  
P-5 March 2024  
P-6 October 2024  
Q-5 March 2025

### **SR36B-10D2**

Q-5 TBD

### **SR36B-15MD2**

Q-5 May

## Auxiliary Codes Continued

### UR48B

L-5 March 2021  
M-5 January 2022  
M-6 September 2022  
M-7 December 2022  
N-5 January 2023  
P-5 January 2024  
P-6 October 2024  
Q-5 January 2025

### UR48B-GLP01

L-5 March 2021  
M-5 January 2022  
M-6 October 2022  
N-5 February 2023  
P-5 March 2024  
P-6 November 2024  
Q-5 February 2025

### UR48B-01

L-5 November 2021  
M-5 February 2022  
M-6 October 2022  
N-5 January 2023  
P-5 January 2024

### UR48B-D2

M-5 February 2022  
M-6 September 2022  
N-5 January 2023  
P-5 May 2024

### UR48B-D4

L-5 December 2021  
M-5 January 2022  
M-6 September 2022  
M-7 December 2022  
N-5 February 2023  
P-5 January 2024  
P-6 October 2024  
Q-5 January 2025

### UR48B-LP

Q-5 January 2025

### WR48B

L-5 November 2021  
M-5 February 2022  
M-6 September 2022  
M-7 December 2022  
N-5 January 2023  
P-5 January 2024  
P-6 October 2024  
Q-5 January 2025

### WR48B-01

L-5 November 2021  
M-5 February 2022  
M-6 September 2022  
M-7 December 2022  
N-5 March 2023  
P-5 February 2024  
Q-5 January 2025

### WR48B-D2

M-5 January 2022  
M-6 September 2022  
N-5 August 2023  
P-5 May 2024

### WR48B-D4

M-5 March 2022  
M-6 November 2022  
N-5 February 2023  
P-5 January 2024  
P-6 November 2024

### SR48B-8

L-5 November 2021  
M-5 January 2022  
M-6 October 2022  
M-7 December 2022  
N-5 January 2023  
P-5 February 2024  
P-6 October 2024  
Q-5 January 2025

### SR48B-12

L-5 September 2021  
M-5 January 2022  
M-6 October 2022  
M-7 December 2022  
N-5 February 2023  
P-5 January 2024  
P-6 October 2024  
Q-5 January 2025

### SR48B-12D2

M-5 June 2022  
M-7 December 2022  
N-5 January 2023  
P-5 February 2024  
P-6 October 2024

### SR48B-12D4

L-5 September 2021  
M-5 June 2022  
M-6 October 2022  
M-7 December 2022  
N-5 May 2023  
P-5 January 2024

## Auxiliary Codes Continued

### SR48B-12M

L-5 September 2021  
M-5 June 2022  
M-6 November 2022  
M-7 December 2022  
N-5 January 2023  
P-5 May 2024  
P-6 October 2024

### SR48B-18M

L-5 September 2021  
M-5 January 2022  
M-6 October 2022  
M-7 December 2022  
N-5 August 2023  
P-5 March 2024  
P-6 October 2024  
Q-5 January 2025

### SR48B-18MD2

L-5 March 2021  
M-5 January 2022  
M-6 November 2022  
N-5 February 2023  
P-5 April 2024  
P-6 October 2024

### SR48B-18MD4

M-5 March 2022  
M-6 September 2022  
M-7 December 2022  
N-5 January 2023  
P-5 March 2024  
P-6 October 2024  
Q-5 February 2025

### UF48B

L-5 March 2021  
M-5 March 2022  
M-6 September 2022  
M-7 December 2022  
N-5 January 2023  
P-5 January 2024  
Q-5 January 2025

### UF48B-01

M-5 July 2022  
N-5 May 2023  
P-5 April 2024

### UF48B-D2

Q-5 March

### UF48B-D4

M-5 May 2022  
M-6 October 2022  
M-7 December 2022  
N-5 March 2023  
P-5 June 2024  
Q-5 January 2025

### WF48B

L-5 November 2021  
M-5 April 2022  
M-6 September 2022  
M-7 December 2022  
N-5 January 2023  
P-5 January 2024  
P-6 October 2024  
Q-5 January 2025

### WF48B-D2

P-5 August 2024

### WF48B-01

L-5 November 2021  
M-5 June 2022  
N-5 April 2023  
P-5 March 2024

### WF48B-D4

M-5 March 2022  
M-6 November 2022  
N-5 January 2023  
P-5 February 2024  
Q-5 January 2025

## Auxiliary Codes Continued

### UR60B

L-5 April 2021  
M-5 January 2022  
M-6 September 2022  
M-7 December 2022  
N-5 March 2023  
P-5 January 2024  
P-6 October 2024  
Q-5 January 2025

### UR60B-01

M-5 February 2022  
M-6 September 2022  
N-5 April 2023  
P-5 May 2024  
Q-5 January 2025

### UR60B-D2

M-5 February 2022  
M-6 September 2022  
M-7 December 2022  
N-5 February 2023  
P-5 May 2024  
P-6 November 2024

### UR60B-D4

M-5 January 2022  
M-6 October 2022  
M-7 December 2022  
N-5 May 2023  
P-5 February 2024  
Q-5 January 2025

### WR60B

L-5 October 2021  
M-5 February 2022  
M-6 September 2022  
M-7 December 2022  
N-5 January 2023  
P-5 February 2024  
P-6 October 2024  
Q-5 January 2025

### WR60B-01

M-5 February 2022  
M-6 November 2022  
M-7 December 2022  
P-5 March 2024

### WR60B-D2

M-5 February 2022  
M-6 September 2022  
M-7 December 2022  
N-5 May 2023  
P-5 May 2024

### WR60B-D4

M-5 July 2022  
M-6 October 2022  
M-7 December 2022  
P-5 March 2024  
Q-5 February 2025

### SR60B-8

M-5 July 2022  
M-6 October 2022  
M-7 December 2022  
P-5 February 2024

### SR60B-12

L-5 November 2021  
M-5 June 2022  
M-6 October 2022  
M-7 December 2022  
N-5 March 2023  
P-5 February 2024

### SR60B-12M

M-5 July 2022  
M-6 October 2022  
M-7 December 2022  
P-5 February 2024

### SR60B-16

L-5 November 2021  
M-5 February 2022  
M-6 September 2022  
M-7 December 2022  
N-5 January 2023  
P-5 January 2024  
P-6 October 2024  
Q-5 January 2025

### SR60B-18M

L-5 November 2021  
M-5 January 2022  
M-7 December 2022

### SR60B-18MFC

M-5 December 2022  
P-5 June 2024

## Auxiliary Codes Continued

### SR60B-24M

L-5 January 2021  
M-5 January 2022  
M-6 September 2022  
M-7 December 2022  
N-5 February 2023  
P-5 February 2024  
P-6 October 2024  
Q-5 January 2025

### SR60B-24MD2

L-5 April 2021  
M-5 July 2022  
M-6 October 2022  
M-7 December 2022  
N-5 June 2023  
P-5 March 2024  
Q-5 February 2025

### SR60B-24MD2R

Q-5 July

### SR60B-24MD4

L-5 November 2021  
M-5 April 2022  
M-6 October 2022  
P-5 February 2024  
P-6 October 2024  
Q-5 January 2025

### SR60B-24MFC

N-5 January 2023  
P-5 February 2024  
P-6 October 2024  
Q-5 January 2025

### UF60B

L-5 April 2021  
M-5 May 2022  
M-6 November 2022  
M-7 December 2022  
N-5 September 2023  
P-5 January 2024  
Q-5 January 2025

### UF60B-01

L-5 October 2021  
M-5 July 2022  
M-6 September 2022  
P-5 April 2024

### WF60B

L-5 October 2021  
M-5 July 2022  
M-6 October 2022  
M-7 December 2022  
N-5 May 2023  
P-5 January 2024  
P-6 October 2024  
Q-5 January 2025

### WF60B-01

M-5 September 2022  
N-5 January 2023

## Auxiliary Codes Continued

### **UR72B**

L-5 April 2021  
M-5 January 2022  
M-6 September 2022  
N-5 March 2023  
P-5 January 2024  
P-6 December 2024  
Q-5 January 2025

### **UR72B-01**

M-5 October 2022  
M-6 November 2022  
N-5 January 2023  
P-5 January 2024  
Q-5 February 2025

### **UR72B-D6**

M-5 January 2022  
M-6 November 2022  
N-5 April 2023  
P-6 November 2024  
Q-5 January 2025

### **WR72B**

L-5 October 2021  
M-5 February 2022  
M-6 September 2022  
N-5 March 2023  
P-5 January 2024  
P-6 November 2024  
Q-5 January 2025

### **WR72B-01**

M-6 October 2022  
N-5 January 2023  
P-5 January 2024

### **WR72B-D6**

M-5 October 2022  
M-6 November 2022  
P-5 May 2024

### **SR72B-12**

M-5 October 2022  
M-7 December 2022  
N-5 May 2023  
P-5 February 2024  
P-6 November 2024  
Q-5 January 2025

### **SR72B-16**

M-5 April 2022  
M-6 November 2022

### **SR72B-18**

L-5 October 2021  
M-5 May 2022  
M-6 October 2022  
P-5 February 2024  
P-6 November 2024  
Q-5 January 2025

### **SR72B-18M**

L-5 November 2021  
M-5 July 2022  
M-7 December 2022  
N-5 April 2023  
P-6 November 2024

### **SR72B-24M**

M-5 June 2022  
N-5 March 2023  
P-5 February 2024

## **Auxiliary Codes Continued**

### **SR72B-30M**

L-5 October 2021  
M-5 April 2022  
M-6 September 2022  
N-5 February 2023  
P-5 May 2024  
P-6 October 2024  
Q-5 January 2025

### **SR72B-30MD2**

M-5 April 2022  
N-5 January 2023  
P-5 February 2024

### **SR72B-30MD4**

L-5 April 2021  
M-5 July 2022  
M-6 November 2022  
N-5 February 2023  
P-5 January 2024  
P-6 October 2024  
Q-5 January 2025

### **SR72B-30MD6**

M-5 May 2022  
M-6 November 2022  
N-5 January 2023  
Q-5 January 2025

## Model Codes

The model number code breakdown is as follows:

U - Undercounter

W - Worktop

S - Prep Table

R - Refrigerator

F - Freezer

27, 36, 48, 60, 72 - Width

After Dash (-) Nomenclature:

-GLP - Glass Door

-01 - Locks

-LP - Low Profile Casters

-LPC - Low Profile Stainless Steel Shelf

-LPL - Low Profile - Left Door

-LPW - Low Profile Salad Dressing Holders on Door

-D2, -D3, -D4, -D6 - Drawers and Drawer/Door Combination

-8, -10, -12, -16, -18 - Prep Table Number of Pans

-12M, -15M, -18M, -24M, -30M - Mega Top Number of Pans

-18MFC, -24MFC - Mega Freezer Stainless Steel Shelf

-12MFL - Mega Freezer Stainless - Left Door

## Auxiliary Code Breakdown

The auxiliary code is the first two characters in the serial number. The first character indicates the year. Years progress or regress in alphabetical order. The series runs from "A" through "V" and the letters "I" and "O" are skipped. The second character indicates significant part changes within a year. Base is "5" and this number advances for each change. In cases where there is a letter in parentheses, this designates the month. This is the last character in the serial number. The series runs from "(A)" through "(M)" and the letter "(I)" is skipped. This designation is only included when identifying a parts change within an auxiliary code.

## Note About Ordering Parts

Most assemblies cannot be ordered as complete units; parts in the assemblies generally must be ordered separately.

**\*Model and Serial Numbers for Upper and Lower Drawer Box,  
Right and Left Drawer Frame Change**

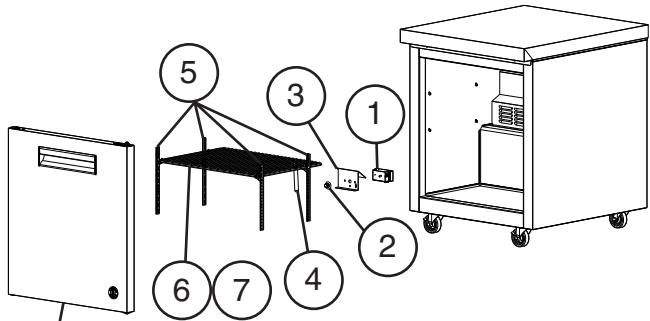
SR27B-8D2	N60123G to N60127G
UR48B-D4	N50214G to N50218G
UR60B-D4	N50066E to N50071E

# A. Main Assembly

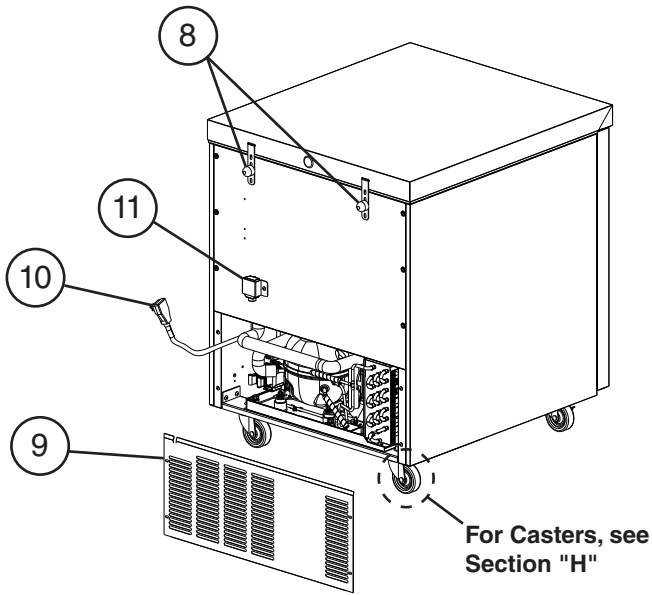
## UR27B, WR27B, SR27B, UF27B, and WF27B Undercounter, Worktop, and Prep Table

K-5 to Q-5

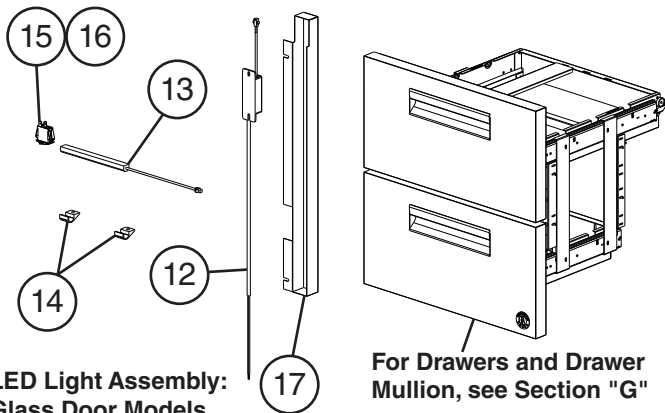
### Undercounter, Worktop, Prep Table Common Parts



For Door, see Sections "C, D, E or F"



Model Shown: UF27B

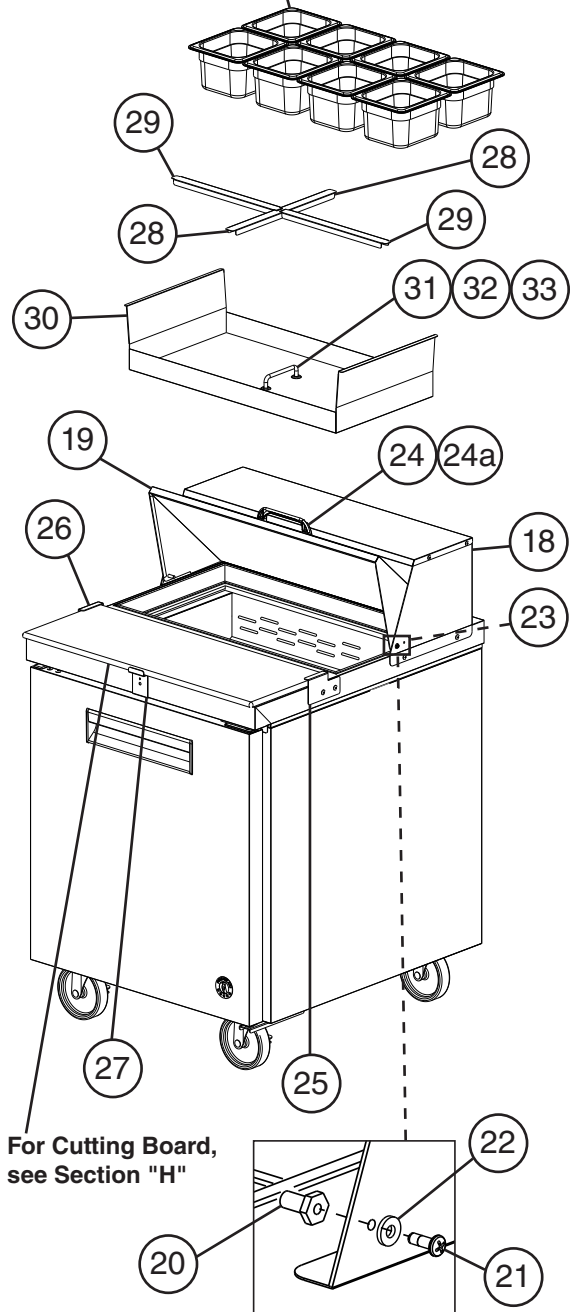


LED Light Assembly:  
Glass Door Models

For Drawers and Drawer  
Mullion, see Section "G"

### Prep Table Specific Parts

For Pans, see Section "H"



For Cutting Board,  
see Section "H"

Model Shown: SR27B-8

**Title: A. Main Assembly Models: UR27B, WR27B, SR27B, UF27B, and WF27B Undercounter, Worktop, and Prep Table**

Index No.	Description	Material or Model Number	Part Number	Required Number							
				K-5 to P-5	P-6 to Q-5						
<b>Common Parts</b>											
1	Control Module <b>All UC/WT Refrigerator</b>	<b>SP-5764</b>	4A6907G01	1	-						
			4A7395-01		1						
	Control Module <b>All UC/WT Freezers</b>	<b>SP-5765</b>	4A6907G03	1	-						
			4A7395-02		1						
	Control Module <b>All Prep Tables</b>	<b>SP-5766</b>	4A6907G02	1	-						
			4A7395-03		1						
2	Dial Knob		4A7052-01	1	1						
3	Control Module Bracket		3B1730-01	1	1						
4	Cabinet Thermometer		461083-02	1	1						
5	Side Pilaster	<b>All UC/WT Prep Tables Except D(X) Models</b>	4A5854-01	4	4						
6	Shelf	<b>All UC/WT Prep Tables Except D(X) Models and LPC Models</b>	3A2830-07	1	1						
			<b>LPC Models</b>	3A2830-14	1	1					
				3A2830-20	1	1					
7	Shelf Clip	<b>All UC/WT Prep Tables Except D(X) Models and LPC models</b>	4A5418-01	4	4						
				<b>LPC Models</b>	8	8					
8	Bumper		3A6696-01	2	2						
9	Rear Panel		1A6049-01	1	1						
10	Wire Harness (includes power cord)		4A6865-02	1	1						
11	Pressure Relief Valve	<b>All UC/WT Freezers</b>	4A5694-01	1	1						
12	LED Driver	<b>GLP01</b>	1A5501-01	1	1						
13	LED Lamp		3A9348-01	1	1						
14	LED Clip		4A5906-01	2	2						
15	LED Switch		4A6067-01	1	1						
16	LED Switch Gasket		4A6075-01	1	1						
17	Channel		4A6064-01	1	1						

**Title: A. Main Assembly Models: UR27B, WR27B, SR27B, UF27B, and WF27B Undercounter, Worktop, and Prep Table**

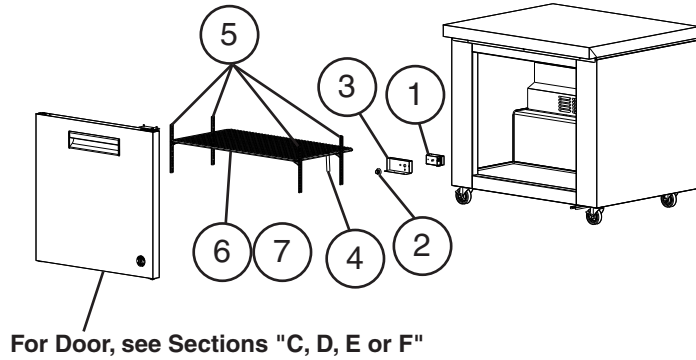
Index No.	Description	Material or Model Number	Part Number	Required Number							
				K-5 to P-5	P-6 to Q-5						
<b>Prep Table Specific Parts</b>											
18	Rail Hood		3A9407A01	1	1						
19	Rail Cover (includes items 20 through 24a)	-8, -8D2	3A9410A01	1	1						
		-12M, -12MD2	3A9411A01	1	1						
20	Pivot Pin		4A6161-01	2	2						
21	Pivot Bolt		4A6160-01	2	2						
22	Flat Washer		7W22I0832	2	2						
23	Tree Clip		4A0579-01	2	2						
24	Handle		1A3416-01	1	1						
24a	Pan Head Screw		7C12I1412	2	2						
25	Right Cutting Board Bracket	-8, -8D2, -12M, -12MD2	3A8971-02	1	1						
26	Left Cutting Board Bracket	-8, -8D2, -12M, -12MD2	3A8971-01	1	1						
27	Center Cutting Board Bracket	-8, -8D2	4A5905-01	1	1						
		-12M, -12MD2	4A6794-01	2	2						
28	Rail Divider (front-to-back)	-8, -8D2 (HS-5187)	3A8903-01	1	1						
		-12M, -12MD2 (HS-5184)	3A8855-01	1	1						
29	Rail Divider (side-to-side)	-8, -8D2 (HS-5185)	3B0027-03	2	2						
		-12M, -12MD2 (HS-5185)		4	4						
30	Catch Tray (includes items 31 through 33)	-8, -8D2	2A9781A01	1	1						
		-12M, -12MD2	2A9781A02	1	1						
31	Handle		4A4518-01	1	1						
32	Pan Head Screw	8x32	7C12I0838	2	2						
33	Flat Washer	-8, -8D2	7W22-0400	2	2						
		-8M	7W22-0800	1	1						
		-12M, -12MD2	7W22-0500	2	2						

# A. Main Assembly

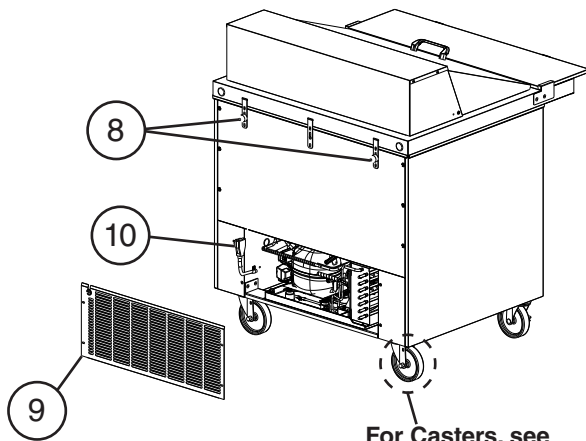
## UR36B, WR36B, SR36B Undercounter, Worktop, and Prep Table

K-5 to Q-5

### Undercounter, Worktop, Prep Table Common Parts



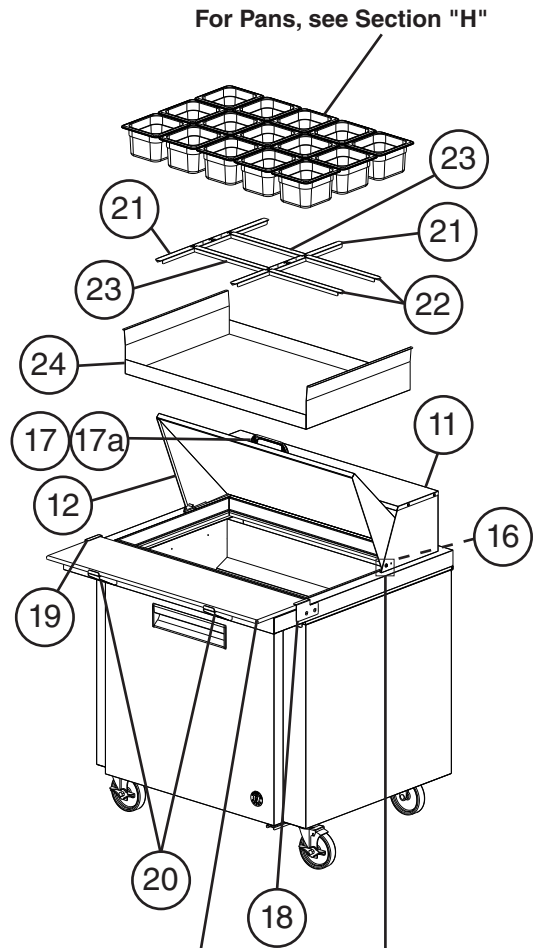
For Door, see Sections "C, D, E or F"



For Casters, see Section "H"

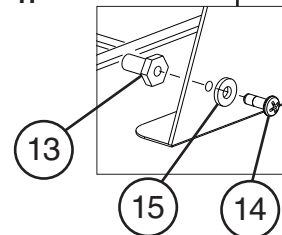
Model Shown: SR36B-15M

### Prep Table Specific Parts



For Pans, see Section "H"

For Cutting Board, see Section "H"



Model Shown: SR36B-15M

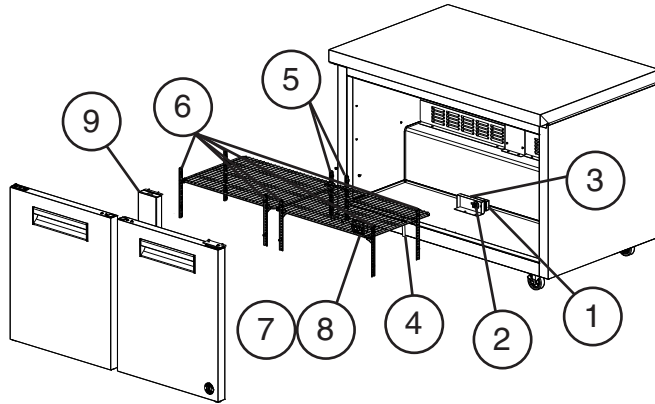
<b>Title: A. Main Assembly Models: UR36B, WR36B, and SR36B Undercounter, Worktop, and Prep Table</b>												
Index No.	Description	Material or Model Number	Part Number	Required Number								
				K-5 to P-5	P-6 to Q-5							
<b>Common Parts</b>												
1	Control Module <b>All UC/WT Refrigerator</b>	<b>SP-5764</b>	4A6907G01	1	-							
			4A7395-01		1							
	Control Module <b>All Prep Tables</b>	<b>SP-5766</b>	4A6907G02	1	-							
			4A7395-03		1							
2	Dial Knob		4A7052-01	1	1							
3	Control Module Bracket		3B1731-01	1	1							
4	Cabinet Thermometer		461083-02	1	1							
5	Side Pilaster		4A5719-01	4	4							
6	Shelf		3A6876-05	1	1							
7	Shelf Clip		4A5418-01	6	6							
8	Bumper		3A6696-01	2	2							
9	Rear Panel		1A6057-01	1	1							
10	Wire Harness (includes power cord)		4A6865-02	1	1							
<b>Prep Table Specific Parts</b>												
11	Rail Hood		3A9406A01	1	1							
12	Rail Cover (includes items 13 through 17a)	<b>-10</b>	3A9408A01	1	1							
		<b>-15M</b>	3A9409A01	1	1							
13	Pivot Pin		4A6161-01	2	2							
14	Pivot Bolt		4A6160-01	2	2							
15	Flat Washer		7W22I0832	2	2							
16	Tree Clip		4A0579-01	2	2							
17	Handle		1A3416-01	1	1							
17a	Pan Head Screw		7C12I1412	2	2							
18	Right Cutting Board Bracket		3A8971-02	1	1							
19	Left Cutting Board Bracket		3A8971-01	1	1							
20	Center Cutting Board Bracket	<b>-10</b>	4A5905-01	1	1							
		<b>-15M</b>	4A6794-01	2	2							
21	Rail Divider (front-to-back)	<b>-10 (HS-5187)</b>	3A8903-01	2	2							
		<b>-15M (HS-5184)</b>	3A8855-01	2	2							
22	Rail Divider (side-to-side outer)	<b>-10 (HS-5185)</b>	3B0027-03	1	1							
		<b>-15M (HS-5185)</b>		2	2							
23	Rail Divider (side-to-side center)	<b>-10 (HS-5186)</b>	3B0028-03	1	1							
		<b>-15M (HS-5186)</b>		2	2							
24	Catch Tray	<b>-10</b>	1A6157-02	1	1							
		<b>-15M</b>	1A6157-03	1	1							

# A. Main Assembly

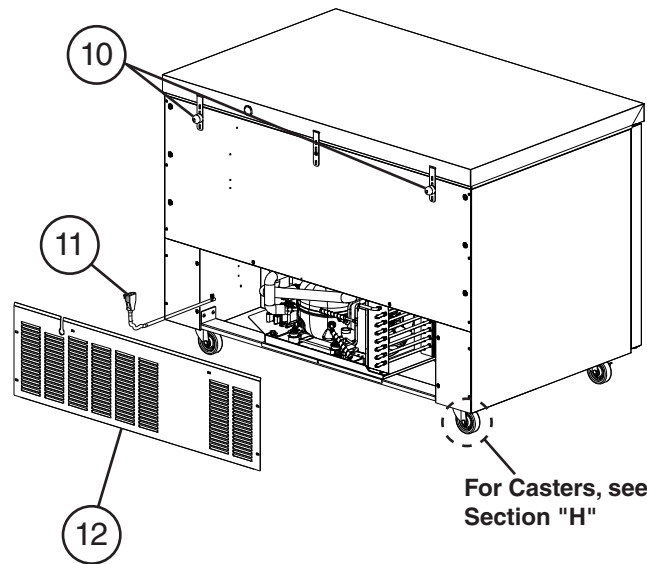
## UR48B, WR48B, SR48B, UF48B, and WF48B Undercounter, Worktop, and Prep Table

L-5 to Q-5

### Undercounter, Worktop, Prep Table Common Parts



For Door, See Sections "C, D, E, or F"

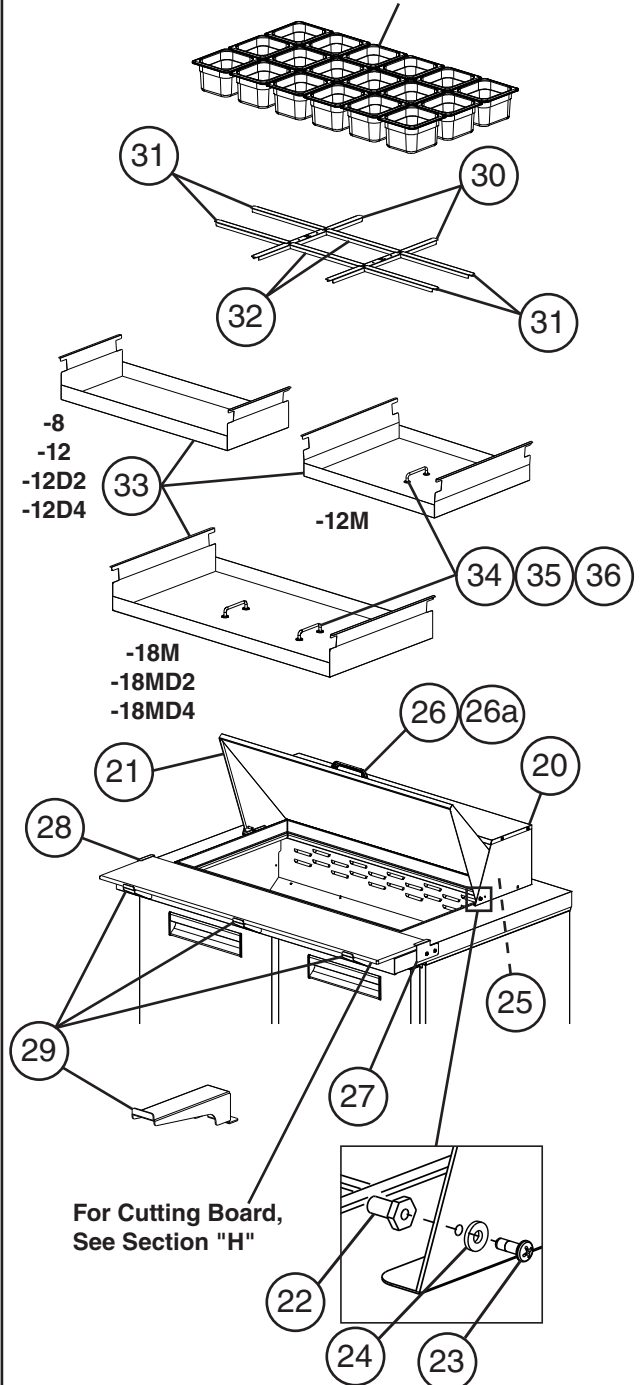


LED Light Assembly:  
Glass Door Models

For Drawers and Drawer Mullions, See Section "G"

### Prep Table Specific Parts

For Pans, see Section "H"



Model Shown: SR48B-18M

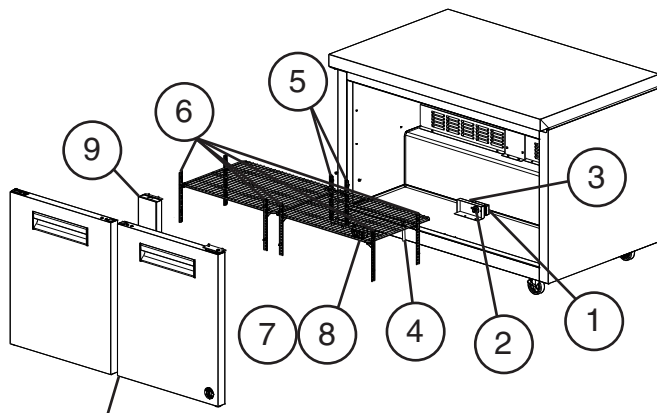
**Title: A. Main Assembly Models: UR48B, WR48B, SR48B, UF48B, and WF48B Undercounter, Worktop, and Prep Table**

Index No.	Description	Material or Model Number	Part Number	Required Number							
				L-5 to P-5	P-6 to Q-5						
<b>Common Parts</b>											
1	Control Module <b>All UC/WT Refrigerator</b>	<b>SP-5764</b>	4A6907G01	1	-						
			4A7395-01		1						
	Control Module <b>All UC/WT Freezers</b>	<b>SP-5765</b>	4A6907G03	1	-						
			4A7395-02		1						
	Control Module <b>All Prep Tables</b>	<b>SP-5766</b>	4A6907G02	1	-						
			4A7395-03		1						
2	Dial Knob		4A7052-01	1	1						
3	Control Module Bracket		3B1732-01	1	1						
4	Cabinet Thermometer		461083-02	1	1						
5	Center Rear Pilaster	<b>UC/WT/ Prep Tables Except -D(x) Models</b>	4A5417-01	2	2						
6	Front and Side Pilaster	<b>Door/Door</b>	4A5719-01	6	6						
		<b>Door/Drawer</b>		4	4						
7	Shelf	<b>Door/Door</b>	3A2830-08	2	2						
		<b>Door/Drawer</b>		1	1						
8	Shelf Clip	<b>Door/Door</b>	4A5418-01	8	8						
		<b>Door/Drawer</b>		4	4						
9	Door Vertical Mullion	<b>All Refrigerators, Prep Tables</b>	2A6824G01	1	1						
		<b>All Freezers except _F48B-D4</b>	2A7024G01	1	1						
10	Bumpers		3A6696-01	2	2						
11	Wire Harness (includes power cord)		4A6865-02	1	1						
12	Rear Panel		1A6169-01	1	1						
13	LED Driver	<b>UR48B-GLP01</b>	1A5501-01	1	1						
14	LED Lamp		3A9348-01	2	2						
15	LED Clip		4A5906-01	4	4						
16	LED Switch		4A6067-01	1	1						
17	LED Switch Gasket		4A6075-01	1	1						
18	Channel		4A6064-01	1	1						
19	LED Wire Harness		4A6080-01	1	1						
<b>Prep Table Specific Parts</b>											
20	Rail Hood	<b>-8</b>	3A9404A01	1	1						
		<b>-12, -12D2, -12D4</b>	3A9394A01	1	1						
		<b>-12M</b>	3A9403A01	1	1						
		<b>-18M, -18MD2, -18MD4</b>	3A9395A01	1	1						
21	Rail Cover Assembly (includes items 21 through 26a)	<b>-8</b>	3A9405A01	1	1						
		<b>-12, -12D2, -12D4</b>	3A9398A01	1	1						
		<b>-12M</b>	3A9402A01	1	1						
		<b>-18M, -18MD2, -18MD4</b>	3A9399A01	1	1						
22	Pivot Pin		4A6161-01	2	2						

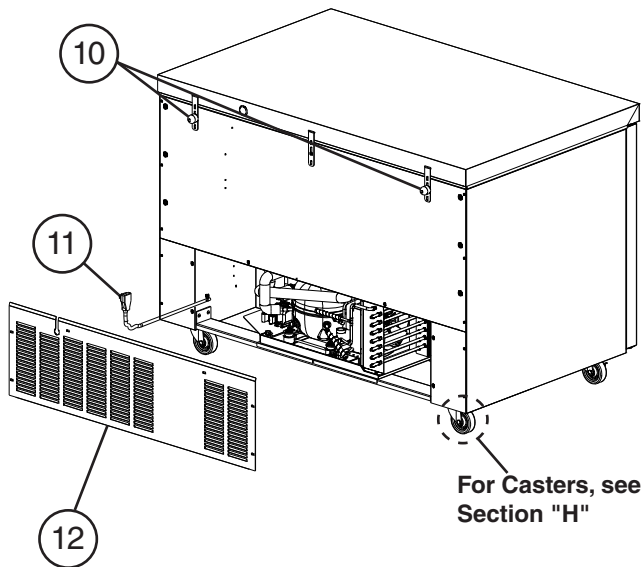
Title: A. Main Assembly Models: UR48B, WR48B, SR48B, UF48B, and WF48B Undercounter, Worktop, and Prep Table										
Index No.	Description	Material or Model Number	Part Number	Required Number						
				L-5 to P-5	P-6 to Q-5					
23	Pivot Bolt		4A6160-01	2	2					
24	Flat Washer		7W22I0832	2	2					
25	Tree Clip		4A0579-01	2	2					
26	Handle		1A3416-01	1	1					
26a	Pan Head Screw		7C12I1412	2	2					
27	Right Cutting Board Bracket		3A8971-02	1	1					
28	Left Cutting Board Bracket		3A8971-01	1	1					
29	Center Cutting Board Bracket	-8, -12, -12D2, -12D4	4A5905-01	2	2					
		-12M, -18M, -18MD2, -18MD4	4A6794-01	3	3					
30	Rail Divider A (front-to-back)	-8 (HS-5188)	3A8904-01	1	1					
		-12, -12D2, -12D4 (HS-5188)		2	2					
		-16 (HS-5188)		1	1					
		-18 (HS-5188)		1	1					
		-12M (HS-5184)	3A8855-01	1	1					
		-18M, -18MD2, -18MD4 (HS-5184)		2	2					
31	Rail Divider B (side-to-side)	-8 (HS-5189)	3B0027-01	1	1					
		-12, -12D2, -12D4 (HS-5189)		2	2					
		-16 (HS-5189)		1	1					
		-12M (HS-5185)	3B0027-03	4	4					
		(outer side-to-side)	-18M -18MD2, -18MD4 (HS-5185)		4	4				
32	Rail Divider C (center side-to-side)	-12	3B0028-01	1	1					
		-18M, -18MD2, -18MD4 (HS-5186)	3B0028-03	2	2					
33	Catch Tray (includes items 33 through 35)	-8	1A6260-03	1	1					
		-12, -12D2, -12D4	1A4221-03	1	1					
		-12M	2A9781A02	1	1					
34	Handle	-18M, -18MD2, -18MD4	2A8667A01	1	1					
		-12M	4A4518-01	1	1					
35	Pan Head Screw	-18M, -18MD2, -18MD4		2	2					
		-12M	7C12I0838	2	2					
36	Flat Washer	-18M, -18MD2, -18MD4		4	4					
		-12M, -12MD2	7W22-0500	2	2					
		-18M, -18MD2, -18MD4	7W22-0400	4	4					

**A. Main Assembly**  
**UR60B, WR60B, SR60B, UF60B, and WF60B Undercounter, Worktop, and Prep Table**  
 L-5 to Q-5

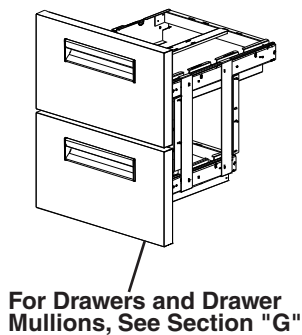
**Undercounter, Worktop, Prep Table**  
**Common Parts**



For Door, See Sections "C, D, E, or F"



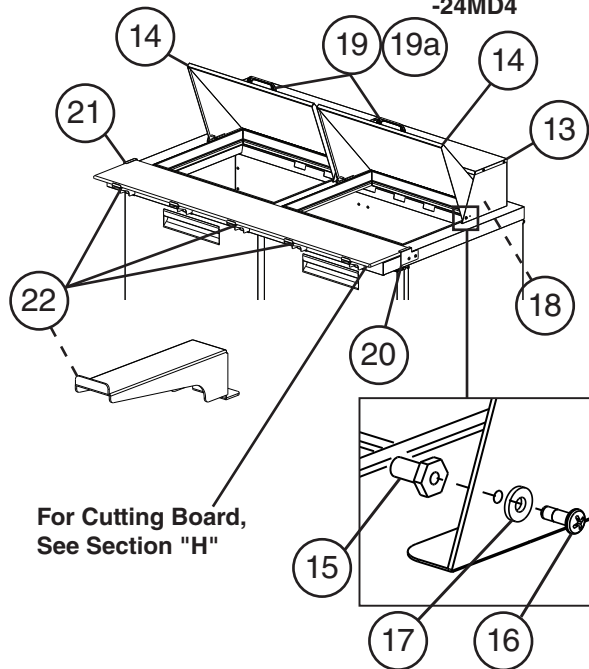
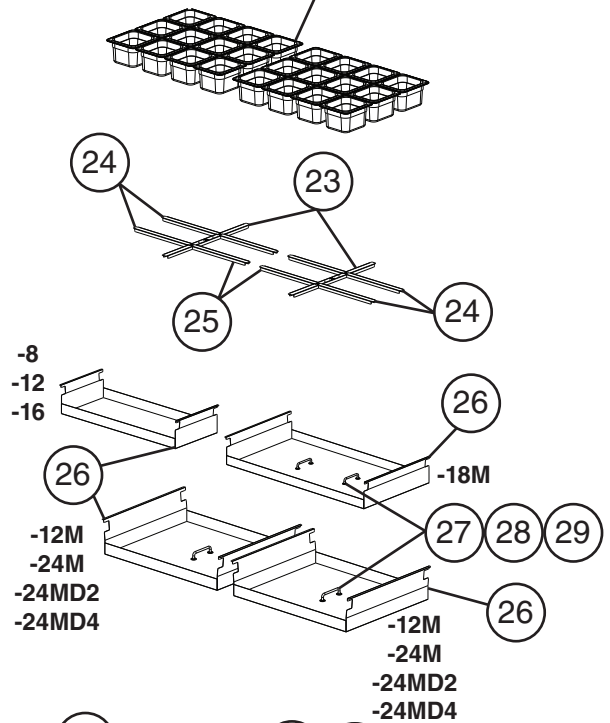
For Casters, see Section "H"



For Drawers and Drawer Mullions, See Section "G"

**Prep Table**  
**Specific Parts**

For Pans, see Section "H"



For Cutting Board, See Section "H"

Model Shown: SR60B-24M

**Title: A. Main Assembly Models: UR60B, WR60B, SR60B, UF60B, and WF60B Undercounter, Worktop, and Prep Table**

Index No.	Description	Material or Model Number	Part Number	Required Number							
				L-5 to P-5	P-6 to Q-5						
<b>Common Parts</b>											
1	Control Module <b>All UC/WT Refrigerator</b>	<b>SP-5764</b>	4A6907G01	1	-						
			4A7395-01		1						
	Control Module <b>All UC/WT Freezers</b>	<b>SP-5765</b>	4A6907G03	1	-						
			4A7395-02		1						
	Control Module <b>All Prep Tables</b>	<b>SP-5766</b>	4A6907G02	1	-						
			4A7395-03		1						
2	Dial Knob		4A7052-01	1	1						
3	Control Module Bracket		3B1732-01	1	1						
4	Cabinet Thermometer		461083-02	1	1						
5	Center Rear Pilaster	<b>UC/WT/Prep Tables Except -D(x) Models</b>	4A5417-01	2	2						
6	Front and Side Pilaster	<b>Door/Door</b>	4A5719-01	6	6						
		<b>Door/Drawer</b>		4	4						
7	Shelf	<b>Door/Door</b>	3A2830-09	2	2						
		<b>Door/Drawer</b>		1	1						
8	Shelf Clip	<b>Door/Door</b>	4A5418-01	8	8						
		<b>Door/Drawer</b>		4	4						
9	Door Vertical Mullion	<b>All Refrigerators, Prep Tables</b>	2A6824G01	1	1						
		<b>All Freezers</b>	2A7024G01	1	1						
10	Bumpers		3A6696-01	2	2						
11	Wire Harness (includes power cord)		4A6865-02	1	1						
12	Rear Panel		1A6155-01	1	1						

**Title: A. Main Assembly    Models: UR60B, WR60B, SR60B, UF60B, and WF60B Undercounter, Worktop, and Prep Table**

Index No.	Description	Material or Model Number	Part Number	Required Number							
				L-5 to P-5	P-6 to Q-5						
<b>Prep Table Specific Parts</b>											
13	Rail Hood	-8	3A9404A01	1	1						
		-12	3A9394A01	1	1						
		-16	3A9396A01	1	1						
		-12M	3A9403A01	1	1						
		-18M	3A9395A01	1	1						
		-24M(D2)(D4)	3A9403A01	2	2						
14	Rail Cover Assembly (includes items 14 through 19a)	-8	3A9405A01	1	1						
		-12	3A9398A01	1	1						
		-16	3A9400A01	1	1						
		-12M	3A9402A01	1	1						
		-18M	3A9399A01	1	1						
		-24M(D2)(D4)	3A9402A01	2	2						
15	Pivot Pin	-8, -12, -16, 18M	4A6161-01	2	2						
		-24M(D2)(D4)		4	4						
16	Pivot Bolt	-8, -12, -16, 18M	4A6160-01	2	2						
		-24M(D2)(D4)		4	4						
17	Flat Washer	-8, -12, -16, 18M	7W22I0832	2	2						
		-24M(D2)(D4)		4	4						
18	Tree Clip	-8, -12, -16, 18M	4A0579-01	2	2						
		-24M(D2)(D4)		4	4						
19	Handle	-8, -12, -16, 18M	1A3416-01	1	1						
		-24M(D2)(D4)		2	2						
19a	Pan Head Screw	-8, -12, -16, 18M	7C12I1412	2	2						
		-24M(D2)(D4)		4	4						
20	Right Cutting Board Bracket		3A8971-02	1	1						
21	Left Cutting Board Bracket		3A8971-01	1	1						
22	Center Cutting Board Bracket	-8, -12, -16	4A5905-01	3	3						
		-12M, -18M, -24M(D2)(D4)	4A6794-01	3	3						

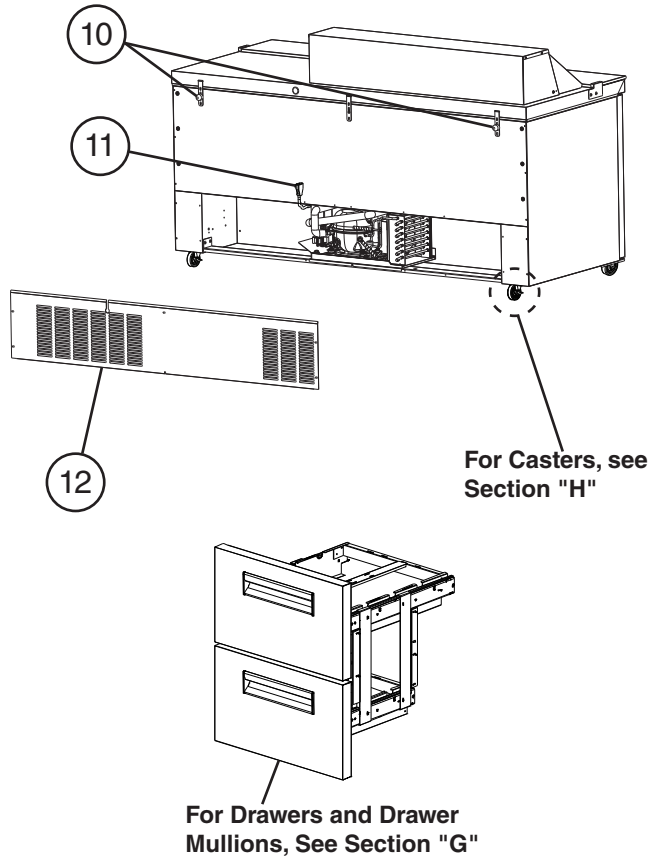
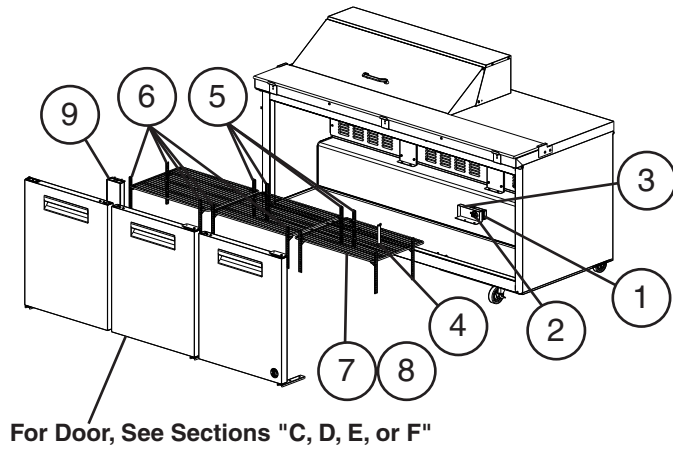
<b>Title: A. Main Assembly    Models: UR60B, WR60B, SR60B, UF60B, and WF60B Undercounter, Worktop, and Prep Table</b>											
Index No.	Description	Material or Model Number	Part Number	Required Number							
				L-5 to P-5	P-6 to Q-5						
23	Rail Divider A (front-to-back)	-8 (HS-5188)	3A8904-01	1	1						
		-12, (HS-5188)		2	2						
		-16 (HS-5188)		3	3						
		-18 (HS-5188)		1	1						
		-12M (HS-5184)	3A8855-01	1	1						
		-18M, -24M(D2)(D4) (HS-5184)		2	2						
24	Rail Divider B (side-to-side)	-8 (HS-5189)	3B0027-01	2	2						
	(outer side to side)	-12 (HS-5189)		2	2						
		-16 (HS-5189)		2	2						
	(side to side)	-12M (HS-5185)	3B0027-03	4	4						
	(outer side-to-side)	-18M (HS-5185)		4	4						
	(side to side)	-24M(D2)(D4) (HS-5185)		8	8						
25	Rail Divider C (center side-to-side)	-12 (HS-5190)	3B0028-01	1	1						
		-16 (HS-5190)		2	2						
		-18M (HS-5186)	3B0028-03	2	2						
26	Catch Tray	-8	1A6260-01	1	1						
		-12	1A4221-03	1	1						
		-16	1A4221-01	2	2						
	(includes items 26 through 28)	-18M	2A8667A01	1	1						
		-12M	2A9781A02	1	1						
		-24M(D2)(D4)		2	2						
27	Handle	-12M	4A4518-01	1	1						
		-18M, -24M(D2)(D4)		2	2						
28	Pan Head Screw	-12M	7C1210838	2	2						
		-18M, -24M(D2)(D4)		4	4						
29	Flat Washer	-12M	7W22-0500	2	2						
		-24M(D2)(D4)		4	4						
		-18M	7W22-0400	4	4						

# A. Main Assembly

## UR72B, WR72B, SR72B Undercounter, Worktop, and Prep Table

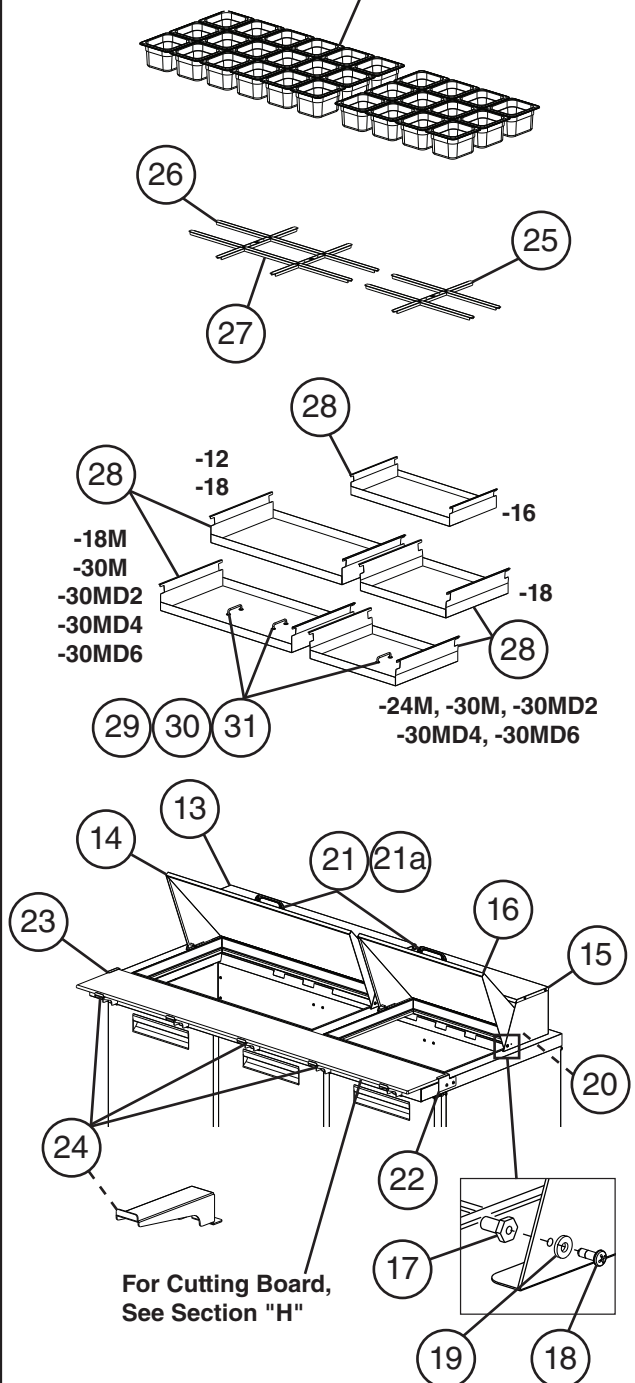
L-5 to Q-5

### Undercounter, Worktop, Prep Table Common Parts



### Prep Table Specific Parts

For Pans, see Section "H"



<b>Title: A. Main Assembly Models: UR72B, WR72B, SR72B Undercounter, Worktop, and Prep Table</b>												
Index No.	Description	Material or Model Number	Part Number	Required Number								
				L-5 to P-5	P-6 to Q-5							
<b>Common Parts</b>												
1	Control Module <b>All UC/WT Refrigerator</b>	SP-5764	4A6907G01	1	-							
			4A7395-01		1							
	Control Module <b>All Prep Tables</b>	SP-5766	4A6907G02	1	-							
			4A7395-03		1							
2	Dial Knob		4A7052-01	1	1							
3	Control Module Bracket			1	1							
4	Cabinet Thermometer		461083-02	1	1							
5	Center Rear Pilaster	SR72B-30MD2	4A5417-01	2	2							
		UR72B(-01), WR72B(-01) SR72B-12, -16, -18(M) SR72B-24M, -30M		4	4							
6	Front and Side Pilaster	SR72B-30MD4	4A5719-01	4	4							
		SR72B-30MD2		6	6							
		UR72B(-01), WR72B(-01) SR72B-12, -16, -18(M) SR72B-24M, -30M		8	8							
7	Shelf	SR72B-30MD2	3A2830-07	2	2							
		UR72B(-01), WR72B(-01) SR72B-12, -16, -18(M) SR72B-24M, -30M		3	3							
		SR72B-30MD4	3A2830-08	1	1							
8	Shelf Clip	SR72B-30MD4	4A5418-01	4	4							
		SR72B-30MD2		8	8							
		UR72B(-01), WR72B(-01) SR72B-12, -16, -18(M) SR72B-24M, -30M		12	12							
9	Door Vertical Mullion		2A6824G01	2	2							
10	Bumpers		3A6696-01	2	2							
11	Wire Harness (includes power cord)		4A6865-02	1	1							
12	Rear Panel		1A6182-01	1	1							
<b>Prep Table Specific Parts</b>												
13	Rail Hood	-12	3A9394A01	1	1							
		-16	3A9396A01	1	1							
		-18	3A9397A01	1	1							
		-18M	3A9395A01	1	1							
	Left Rail Hood	-24M	3A9403A01	1	1							
		-30M(D2)(D4)(D6)	3A9395A01	1	1							
14	Rail Cover Assembly (includes items 16 through 20a)	-12	3A9398A01	1	1							
		-16	3A9400A01	1	1							
		-18	3A9401A01	1	1							
		-18M	3A9399A01	1	1							
	Left Rail Cover (includes items 16 through 20a)	-24M	3A9402A01	1	1							
		-30M(D2)(D4)(D6)	3A9399A01	1	1							

**Title: A. Main Assembly    Models: UR72B, WR72B, SR72B Undercounter, Worktop, and Prep Table**

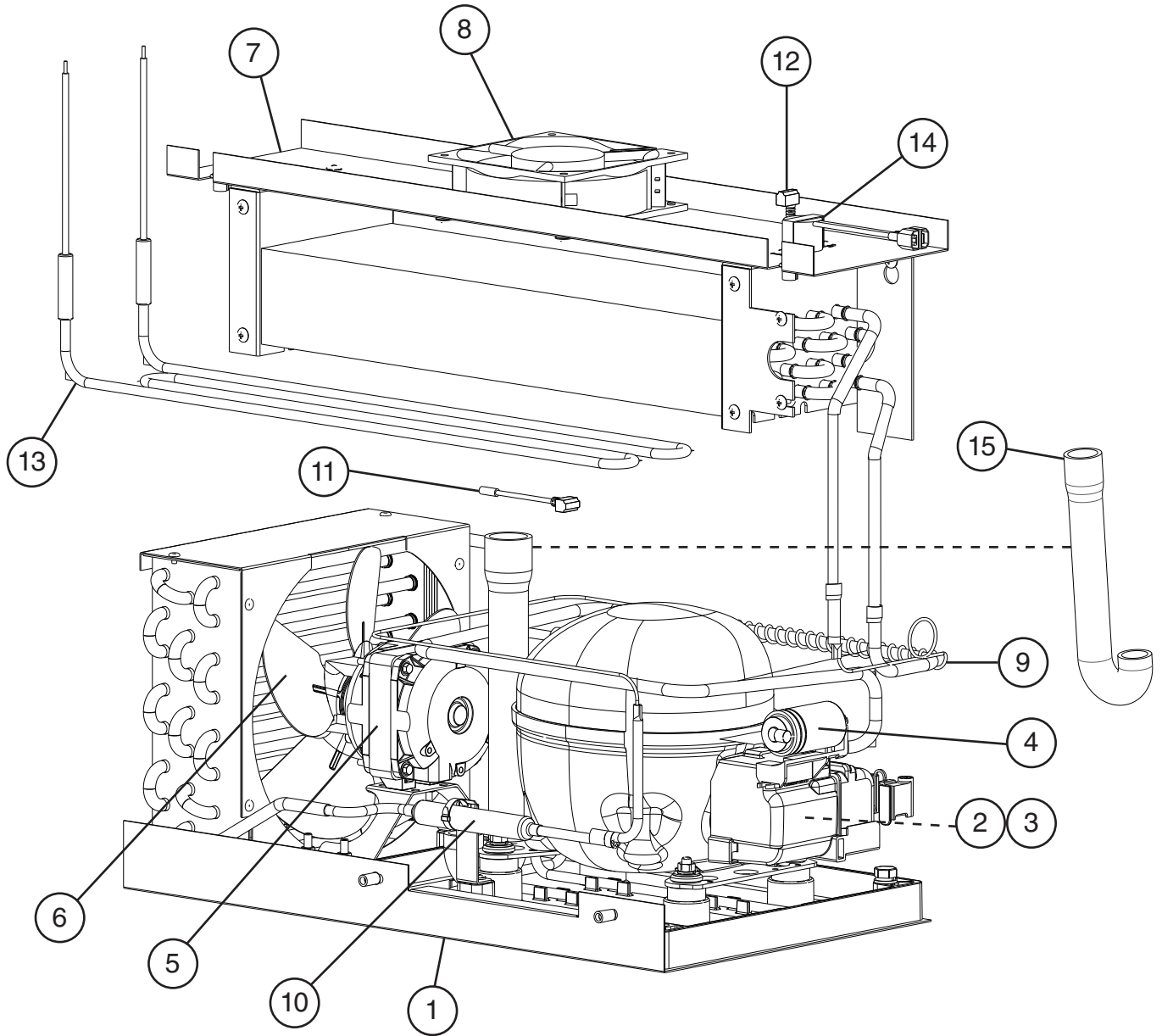
Index No.	Description	Material or Model Number	Part Number	Required Number							
				L-5 to P-5	P-6 to Q-5						
15	Right Rail Hood	-24M	3A9403A01	1	1						
		-30M(D2)(D4)(D6)		1	1						
16	Right Rail Cover Assembly (includes items 16 through 20a)	-24M	3A9402A01	1	1						
		-30M(D2)(D4)(D6)		1	1						
17	Pivot Pin	-12, -16, -18, -18M	4A6161-01	2	2						
		-24M, -30M(D2)(D4)(D6)		4	4						
18	Pivot Bolt	-12, -16, -18, -18M	4A6160-01	2	2						
		-24M, -30M(D2)(D4)(D6)		4	4						
19	Flat Washer	-12, -16, -18, -18M	7W2210832	2	2						
		-24M, -30M(D2)(D4)(D6)		4	4						
20	Tree Clip	-12, -16, -18, -18M	4A0579-01	2	2						
		-24M, -30M(D2)(D4)(D6)		4	4						
21	Handle	-12, -16, -18, -18M	1A3416-01	1	1						
		-24M, -30M(D2)(D4)(D6)		2	2						
21a	Pan Head Screw	-12, -16, -18, -18M	7C1211412	2	2						
		-24M, -30M(D2)(D4)(D6)		4	4						
22	Right Cutting Board Bracket		3A8971-02	1	1						
23	Left Cutting Board Bracket		3A8971-01	1	1						
24	Center Cutting Board Bracket	-12, -16, -18	4A5905-01	3	3						
		-18M, -24M, -30M(D2)(D4)(D6)	4A6794-01	4	4						
25	Rail Divider A (front-to-back)	-8, -12, -16, -18 (HS-5188)	3A8904-01	2	2						
		-16 (HS-5188)		3	3						
		-18M, -24M (HS-5184)	3A8855-01	2	2						
		-30M(D2)(D4)(D6) (HS-5184)		3	3						

<b>Title: A. Main Assembly    Models: UR72B, WR72B, SR72B Undercounter, Worktop, and Prep Table</b>											
Index No.	Description	Material or Model Number	Part Number	Required Number							
				L-5 to P-5	P-6 to Q-5						
26	Rail Divider B (side-to-side)	<b>-8, -12 (HS-5189)</b>	3B0027-01	2	2						
	(outer side to side)	<b>-16 (HS-5189)</b>		2	2						
		<b>-18 (HS-5191)</b>	3B0027-02	2	2						
	(outer side to side)	<b>-18M (HS-5185)</b>	3B0027-03	4	4						
	(side to side)	<b>-24M (HS-5185)</b>		8	8						
	(outer side-to-side)	<b>-30M(D2)(D4)(D6) (HS-5185)</b>		8	8						
27	Rail Divider C (center side-to-side)	<b>-12 (HS-5190)</b>	3B0028-01	1	1						
		<b>-16 (HS-5190)</b>		2	2						
		<b>-18 (HS-5192)</b>	3B0028-02	1	1						
		<b>-18M, -30M(D2)(D4)(D6) (HS-5186)</b>	3B0028-03	2	2						
28	Catch Tray	<b>-12</b>	1A4221-03	1	-						
		<b>-16</b>	1A4221-01	2	-						
		<b>-12, -18</b>	1A6260-02	1	1						
			1A6260-03	1	1						
		<b>-18M</b>	2A8667A01	1	1						
		<b>-24M</b>	2A9781A02	2	2						
		<b>-30M(D2)(D4)(D6)</b>		1	1						
	2A8667A01	1	1								
29	Handle	<b>-18M, -24M</b>	4A4518-01	2	2						
		<b>-30M(D2)(D4)(D6)</b>		3	3						
30	Pan Head Screw	<b>-18M, -24M</b>	7C12I0838	4	4						
		<b>-30M(D2)(D4)(D6)</b>		6	6						
31	Flat Washer	<b>-18M</b>	7W22-0400	4	4						
		<b>-30M(D2)(D4)(D6)</b>		4	4						
		<b>-24M</b>	7W22-0500	4	4						
		<b>-30M(D2)(D4)</b>		2	2						



Title: B. Refrigeration Circuit Models: UR27B and WR27B Undercounter, Worktop											
Index No.	Description	Material or Model Number	Part Number	Required Number							
				K-5 to M-6 (N)	M-6 (M) to P-5	P-6 to Q-5					
1	Condensing Unit (includes compressor, condenser, and items 2 through 6; compressor and condenser are not sold individually)		3B0589-01	1	1	1					
2	External Protector		3A9522-01	1	1	1					
3	Start Relay		3A9523-01	1	1	1					
4	Start Capacitor	145-175MFD, 250VAC	3A9524-01	1	1	1					
5	Condenser Fan Motor		3A6798-01	1	1	1					
6	Condenser Fan Blade		3A6799-01	1	1	1					
7	Evaporator Assembly	<b>SP-5671</b>	2A9386-01	1	-						
			2B0101-01		1	1					
8	Evaporator Fan Motor		4A6192-01	1	1	1					
9	Heat Exchanger (includes capillary tube)		3B0763G01	1	1	1					
10	Drier		4A5576-01	1	1	1					
11	Cabinet Thermistor		4A6878-02	1	1	-					
			4A7396-01			1					
12	Defrost Thermistor		4A6878-01	1	1	-					
			4A7397-01			1					
13	Drain Hose		3B0477-01	1	1	1					

**B. Refrigeration Circuit**  
**SR27B, UF27B, WF27B, UR36B, WR36B, and SR36B Undercounter,**  
**Worktop, and Prep Table**  
 K-5 to Q-5

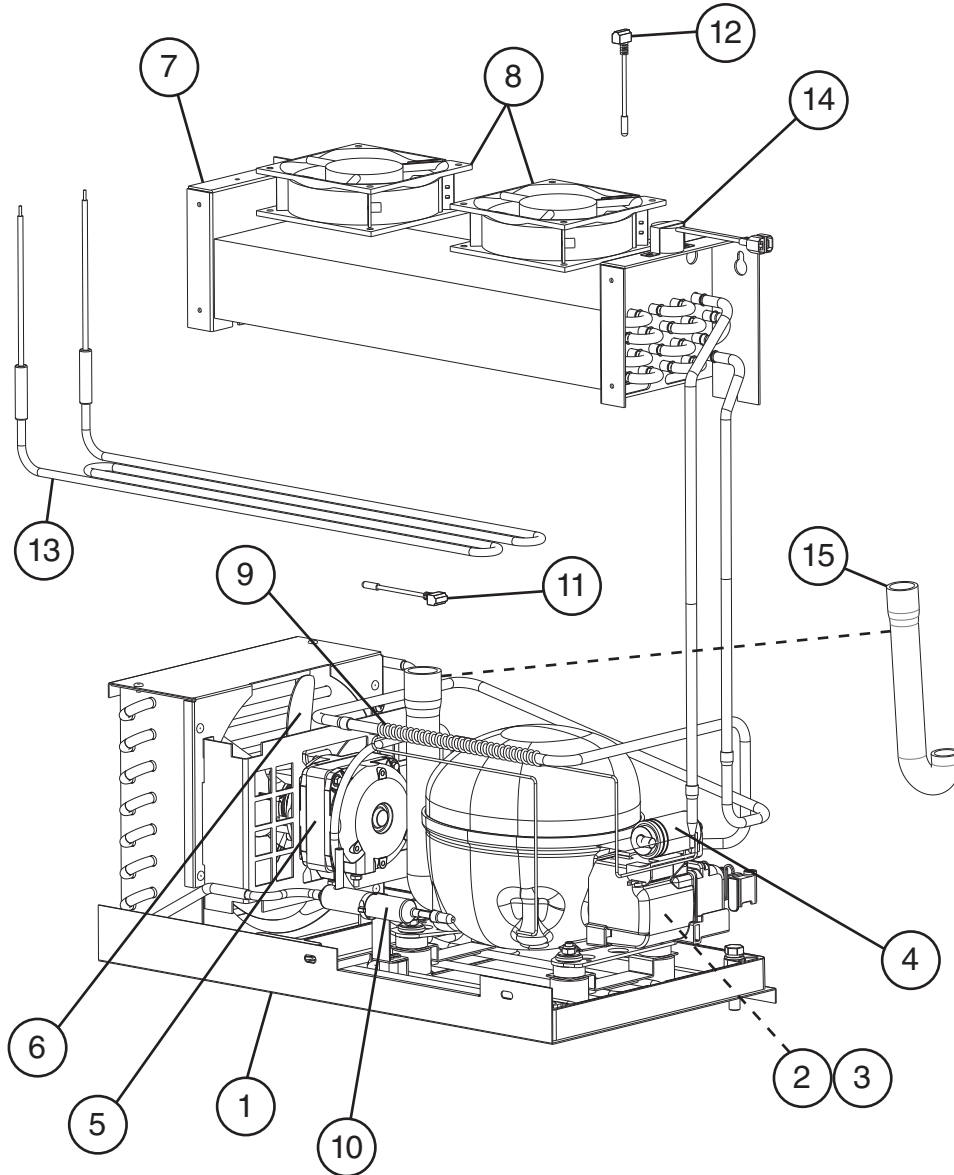


**For compressor or condenser replacement, order item 1.**

**Title: B. Refrigeration Circuit Models: UF27B, WF27B, SR27B, UR36B, WR36B, and SR36B Undercounter, Worktop, and Prep Table**

Index No.	Description	Material or Model Number	Part Number	Required Number								
				K-5 to M-6 (N)	M-6 to P-5	P-6 to Q-5						
1	Condensing Unit (includes compressor, condenser, and items 2 through 6; compressor and condenser are not sold individually)		3B0453-01	1	1	1						
2	External Protector		3A9475-01	1	1	1						
3	PTC Start Relay		3A9476-01	1	1	1						
4	Run Capacitor	12MFD, 250VAC	3A9477-01	1	1	1						
5	Condenser Fan Motor		3A6798-01	1	1	1						
6	Condenser Fan Blade		3A6799-01	1	1	1						
7	Evaporator Assembly	<b>SP-5671</b>	2A9386-01	1	-							
			2B0101-01			1	1					
8	Evaporator Fan Motor		4A6192-01	1	1	1						
9	Heat Exchanger (includes capillary tube)	<b>UF27B and WF27B</b>	3B0764G01	1	1	1						
		<b>SR27B, UR36B, WR36B, and SR36B</b>	3B0790G01	1	1	1						
10	Drier		4A5576-01	1	1	1						
11	Cabinet Thermistor		4A6878-02	1	1	-						
			4A7396-01			1						
12	Defrost Thermistor		4A6878-01	1	1	-						
			4A7397-01			1						
13	Defrost Heater	<b>SR27B, UF27B, WF27B, and SR36B</b>	3B0457-01	1	1	1						
14	Defrost Safety Thermostat	<b>SR27B, UF27B, WF27B, and SR36B</b>	4A6194-01	1	1	1						
15	Drain Hose		3B0477-01	1	1	1						

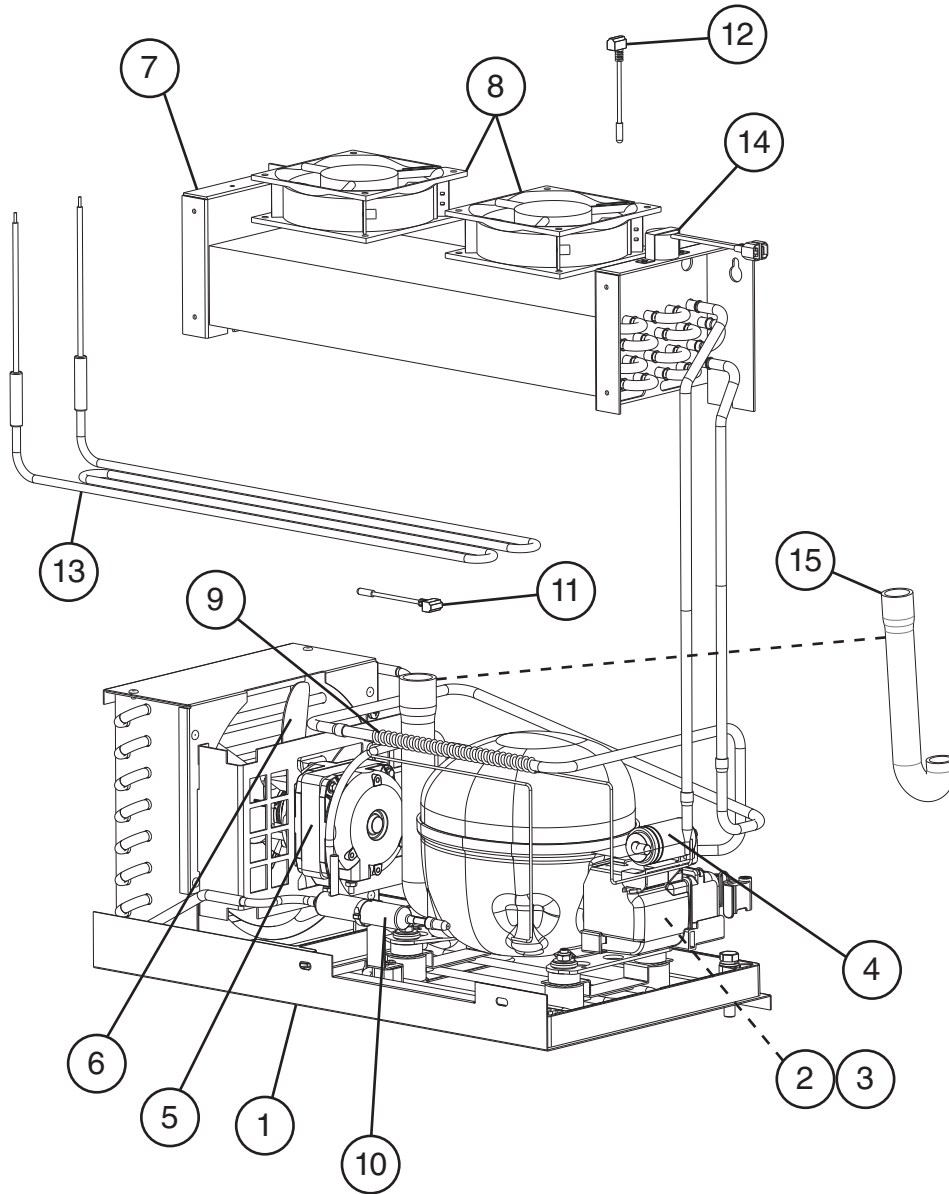
**B. Refrigeration Circuit**  
**UR48B, WR48B, UF48B, WF48B, and SR48B Undercounter, Worktop,**  
**and Prep Table**  
L-5 to Q-5



**For compressor or condenser replacement, order item 1.**

<b>Title: B. Refrigeration Circuit    Models: UR48B, WR48B, UF48B, WF48B, and SR48B Undercounter, Worktop, and Prep Table</b>											
Index No.	Description	Material or Model Number	Part Number	Required Number							
				L-5 to M-6	M-7 to P-5	P-6 to Q-5					
1	Condensing Unit (includes compressor, condenser, and items 2 through 6; compressor and condenser are not sold individually)	<b>UC/WT Refrigerator Prep Table</b>	3B0453-01	1	1	1					
		<b>UC/WT Freezer</b>	3B0964-01	1	1	1					
2	External Protector	<b>UC/WT Refrigerator Prep Table</b>	3A9475-01	1	1	1					
		<b>UC/WT Freezer</b>	3B0897-01	1	1	1					
3	PTC Start Relay	<b>All</b>	3A9476-01	1	1	1					
4	Run Capacitor	<b>UC/WT Refrigerator Prep Table</b> 12MFD, 250VAC	3A9477-01	1	1	1					
		<b>Freezer</b> 20MFD, 250VAC	3B0898-01	1	1	1					
5	Condenser Fan Motor		3A6798-01	1	1	1					
6	Condenser Fan Blade		3A6799-01	1	1	1					
7	Evaporator Assembly	<b>SP-5671</b>	2A9386-01	1	-						
			2B0101-01		1	1					
8	Evaporator Fan Motor		4A6192-01	2	2	2					
9	Heat Exchanger (includes capillary tube)	<b>UC/WT Refrigerator</b>	3B0790G01	1	1	1					
		<b>Prep Table</b>	3B0805G01	1	1	1					
		<b>UC/WT Freezer</b>	3B0820G01	1	1	1					
10	Drier		4A5576-01	1	1	1					
11	Cabinet Thermistor		4A6878-02	1	1	-					
			4A7396-01			1					
12	Defrost Thermistor		4A6878-01	1	1	-					
			4A7397-01			1					
13	Defrost Heater	<b>Prep Table and Freezer</b>	3B0457-01	1	1	1					
14	Defrost Safety Thermostat	<b>Prep Table and Freezer</b>	4A6194-01	1	1	1					
15	Drain Hose		3B0477-01	1	1	1					

**B. Refrigeration Circuit**  
**UR60B, WR60B, UF60B, WF60B, and SR60B Undercounter, Worktop,**  
**and Prep Table**  
L-5 to Q-5



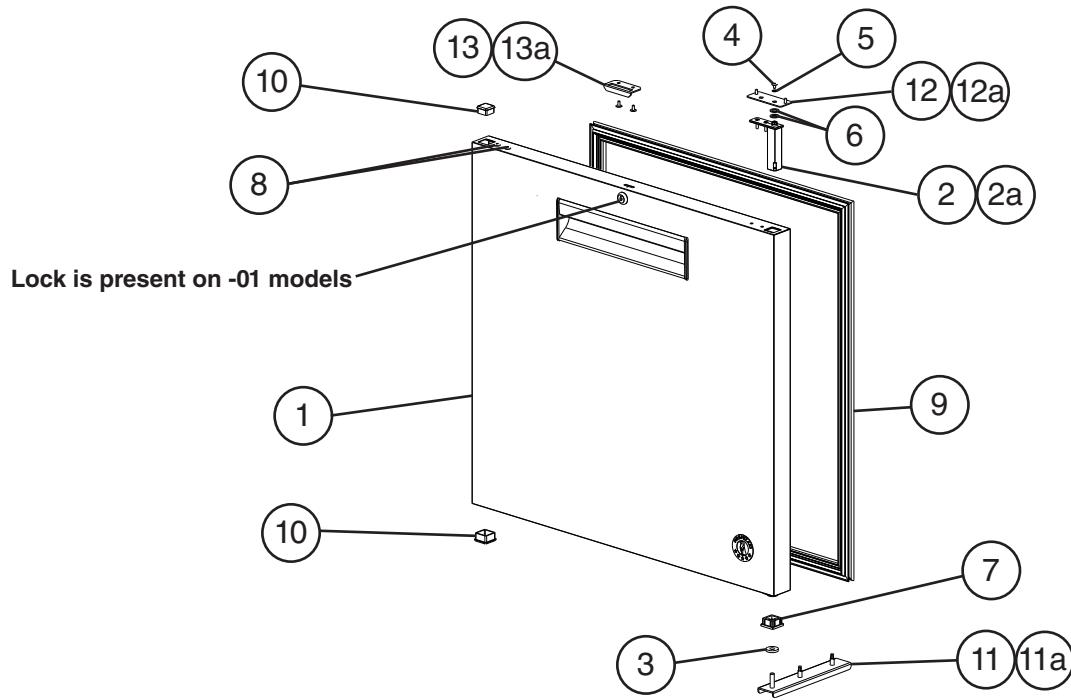
For compressor or condenser replacement, order item 1.

<b>Title: B. Refrigeration Circuit    Models: UR60B, WR60B, UF60B, WF60B, and SR60B Undercounter, Worktop, and Prep Table</b>												
Index No.	Description	Material or Model Number	Part Number	Required Number								
				L-5 to M-6	M-7 to P-5	P-6 to Q-5						
1	Condensing Unit (includes compressor, condenser, and items 2 through 6; compressor and condenser are not sold individually)	<b>UC/WT Refrigerator</b>	3B0453-01	1	1	1						
		<b>Prep Table/UC/WT Freezer</b>	3B0964-01	1	1	1						
2	External Protector	<b>UC/WT Refrigerator</b>	3A9475-01	1	1	1						
		<b>Prep Table/UC/WT Freezer</b>	3B0897-01	1	1	1						
3	PTC Start Relay		3A9476-01	1	1	1						
4	Run Capacitor	<b>UC/WT Refrigerator</b> 12MFD, 250VAC	3A9477-01	1	1	1						
		<b>Prep Table/UC/WT Freezer</b> 20MFD, 250VAC	3B0898-01	1	1	1						
5	Condenser Fan Motor		3A6798-01	1	1	1						
6	Condenser Fan Blade		3A6799-01	1	1	1						
7	Evaporator Assembly	<b>SP-5671</b>	2A9386-01	1	-							
			2B0101-01		1	1						
8	Evaporator Fan Motor		4A6192-01	2	2	2						
9	Heat Exchanger (includes capillary tube)	<b>UC/WT Refrigerator</b>	3B0790G01	1	1	1						
		<b>Prep Table</b>	3B0805G01	1	1	1						
		<b>UC/WT Freezer</b>	3B0820G01	1	1	1						
10	Drier		4A5576-01	1	1	1						
11	Cabinet Thermistor		4A6878-02	1	1	-						
			4A7396-01			1						
12	Defrost Thermistor		4A6878-01	1	1	-						
			4A7397-01			1						
13	Defrost Heater	<b>Prep Table and Freezer</b>	3B0457-01	1	1	1						
14	Defrost Safety Thermostat	<b>Prep Table and Freezer</b>	4A6194-01	1	1	1						
15	Drain Hose		3B0477-01	1	1	1						



<b>Title: B. Refrigeration Circuit    Models: UR72B, WR72B, and SR72B Undercounter, Worktop, and Prep Table</b>											
Index No.	Description	Material or Model Number	Part Number	Required Number							
				L-5 to M-6	M-7 to P-5	P-6 to Q-5					
1	Condensing Unit (includes compressor, condenser, and items 2 through 6; compressor and condenser are not sold individually)	<b>UC/WT</b>	3B0453-01	1	1	1					
		<b>Prep Table</b>	3B0964-01	1	1	1					
2	External Protector	<b>UC/WT</b>	3A9475-01	1	1	1					
		<b>Prep Table</b>	3B0897-01	1	1	1					
3	PTC Start Relay		3A9476-01	1	1	1					
4	Run Capacitor	<b>UC/WT</b> 12MFD, 250VAC	3A9477-01	1	1	1					
		<b>Prep Table</b> 20MFD, 250VAC	3B0898-01	1	1	1					
5	Condenser Fan Motor		3A6798-01	1	1	1					
6	Condenser Fan Blade		3A6799-01	1	1	1					
7	Evaporator Assembly	<b>SP-5671</b>	2A9386-01	1	-						
			2B0101-01		1	1					
8	Evaporator Fan Motor		4A6192-01	3	3	3					
9	Heat Exchanger (includes capillary tube)	<b>UC/WT</b>	3B0790G01	1	1	1					
		<b>Prep Table</b>	3B0805G01	1	1	1					
10	Drier		4A5576-01	1	1	1					
11	Cabinet Thermistor		4A6878-02	1	1	-					
			4A7396-01			1					
12	Defrost Thermistor		4A6878-01	1	1	-					
			4A7397-01			1					
13	Defrost Heater	<b>Prep Table</b>	3B0457-01	1	1	1					
14	Defrost Safety Thermostat	<b>Prep Table</b>	4A6194-01	1	1	1					
15	Drain Hose		3B0477-01	1	1	1					

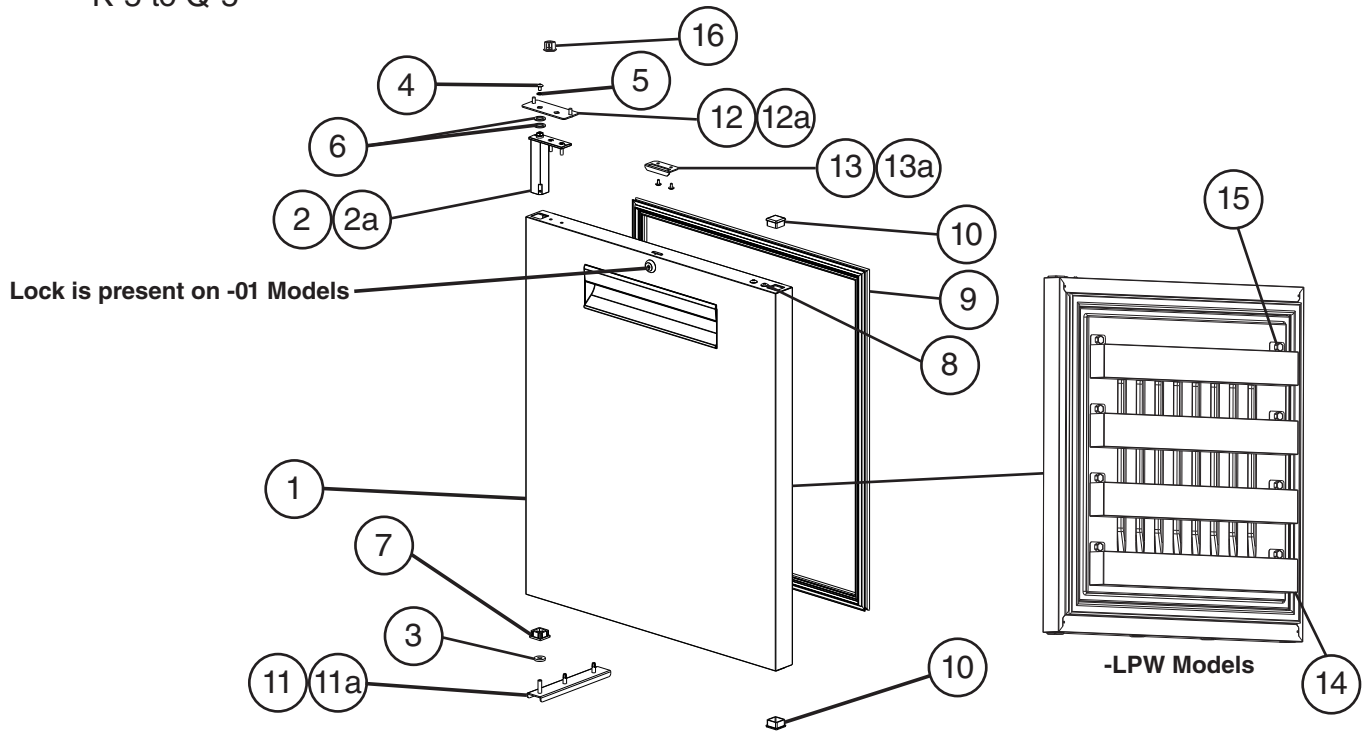
**C. Door-Right Hinged Solid**  
**Undercounter, Worktop, Prep Table**  
 K-5 to Q-5



Title: C. Door-Right Hinged Solid Models: Undercounter, Worktop, Prep Table										
Index No.	Description	Material or Model Number	Part Number	Required Number Per Section						
				K-5 to Q-5						
1	Door Assembly without Locks (includes items 2 through 10)	<b>_R27B(-8, -12M) and _F27B UC/WT/Prep Table</b>	2A9409G01	1						
		<b>_36B(-10, -15M) UC/WT/Prep Table</b>	2A9409G04	1						
		<b>_R48B(-8, -12), -1xM, and _F48B UC/WT/Prep Table</b>	2A9409G06	1						
		<b>_R60B(-8, -12, -16, -1xM, -24M and _F60B UC/WT/Prep Table</b>	2A9409G04	1						
		<b>_R72B(-12, -16, -18), -1xM, -24M, -30M</b>	2A9409G06	1						
	Door Assembly with Locks (includes items 2 through 10)	<b>_R27B-01 and _F27B-01 UC/WT</b>	2A9409G02	1						
		<b>UR36B-01 UC/WT</b>	2A9409G05	1						
		<b>_R48B-01 and _F48B-01 UC/WT</b>	2A9409G07	1						
		<b>_R60B-01 and _F60B-01 UC/WT</b>	2A9409G05	1						
		<b>_R72B-01 UC/WT</b>	2A9409G07	1						

<b>Title: C. Door-Right Hinged Solid Models: Undercounter, Worktop, Prep Table</b>														
Index No.	Description	Material or Model Number	Part Number	Required Number Per Section										
				K-5 to Q-5										
2	Hinge Spring Cartridge (includes items 2a through 7)		3A9206-01	1										
2a	Countersunk Screw	5x20, SS	7C42-0520	2										
3	Thrust Washer		4A5234-01	1										
4	Screw		4A5230-01	1										
5	Lockwasher		4A5231-01	1										
6	Thrust Washer		4A5233-01	2										
7	Bearing		4A5232-01	1										
8	Truss Head Screw (filler screws)	5x10, SS	7C32-0510	2										
9	Gasket	All _R27B and _F27B, UC/WT/Prep Table	2A6996-10	1										
		_R36B UC/WT/Prep Table	2A6996-12	1										
		All _R48B and _F48B, UC/WT/Prep Table	2A6996-11	1										
		All _R60B and _F60B, UC/WT/Prep Table	2A6996-12	1										
		All _R72B and UC/WT/Prep Table	2A6996-11	1										
10	End Cap		4A5432-01	2										
11	Lower Hinge Bracket		3A6681G01	1										
11a	Hex Head Tapping Bolt	1/4-20x3/4	4A5213-01	2										
12	Upper Hinge Bracket		3A6810-01	1										
12a	Truss Head Screw	5x12, SS	7C32-0512	2										
13	Strike Plate	-01 UC/WT	4A5493-01	1										
13a	T2 Screw	-01 UC/WT 4x8, SS	7P32-0408	2										
14	Locking Hole Plug		4A0586-06	2										

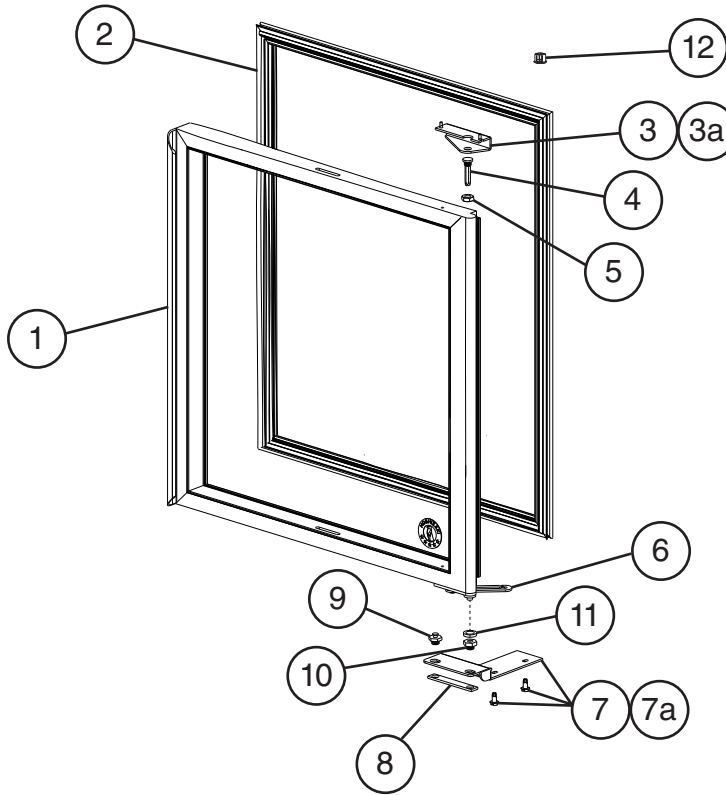
### D. Door-Left Hinged Solid Undercounter, Worktop, Prep Table K-5 to Q-5



Title: D. Door-Left Hinged Solid Models: Undercounter, Worktop, Prep Table															
Index No.	Description	Material or Model Number	Part Number	Required Number Per Section											
				K-5 to Q-5											
1	Door Assembly without Locks (includes items 2 through 10)	<b>UR27B-LPW</b>	2B0054G01	1											
		<b>_R27B(-8, -12M) and _F27B UC/WT/Prep Table</b>	2A9411G05	1											
		<b>_36B(-10, -15M) UC/WT/Prep Table</b>	2A9411G03	1											
		<b>_R48B(-8, -12, -1xM, and _F48B UC/WT/Prep Table</b>	2A9411G01	1											
		<b>_R60B(-8, -12, -16, -1xM, -24M and _F60B UC/WT/Prep Table</b>	2A9411G03	1											
		<b>_R72B(-12, -16, -18), -1xM, -24M, 30M</b>	2A9411G01	1											
	Door Assembly with Locks (includes items 2 through 10)	<b>_R36B-01 UC/WT</b>	2A9411G04	1											
		<b>_R48B-01 and _F48B-01 UC/WT</b>	2A9411G02	1											
		<b>_R60B-01 and _F60B-01 UC/WT</b>	2A9411G04	1											
		<b>_R72B-01 UC/WT</b>	2A9411G02	1											

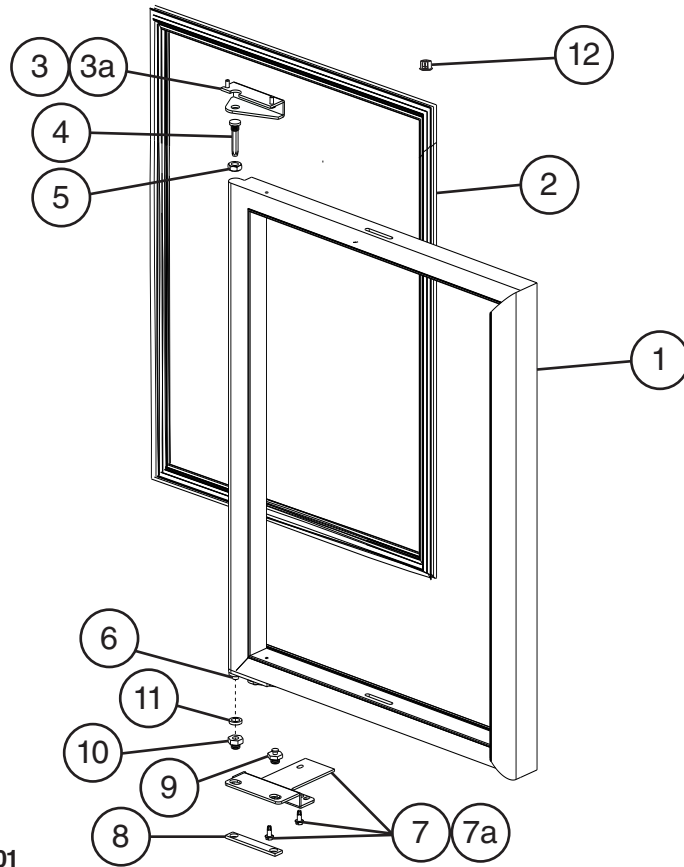
Title: D. Door-Left Hinged Solid Models: Undercounter, Worktop, Prep Table											
Index No.	Description	Material or Model Number	Part Number	Required Number Per Section							
				K-5 to Q-5							
2	Hinge Spring Cartridge (includes items 2a through 7)		3A9206-01	1							
2a	Countersunk Screw	5x20, SS	7C42-0520	2							
3	Thrust Washer		4A5234-01	1							
4	Screw		4A5230-01	1							
5	Lockwasher		4A5231-01	1							
6	Thrust Washer		4A5233-01	2							
7	Bearing		4A5232-01	1							
8	Truss Head Screw (filler screws)	5x10, SS	7C32-0510	2							
9	Gasket	<b>_R27B and _F27B UC/WT/Prep Table</b>	2A6996-10	1							
		<b>_R36B UC/WT/Prep Table</b>	2A6996-12	1							
		<b>_R48B and _F48B UC/WT/Prep Table</b>	2A6996-11	1							
		<b>All _R60B and _F60B, UC/WT/Prep Table</b>	2A6996-12	1							
		<b>All _R72B and UC/WT/Prep Table</b>	2A6996-11	1							
10	End Cap		4A5432-01	2							
11	Lower Hinge Bracket		3A6681G01	1							
11a	Hex Head Tapping Bolt	1/4-20x3/4	4A5213-01	2							
12	Upper Hinge Bracket		3A6810-01	1							
12a	Truss Head Screw	5x12, SS	7C32-0512	2							
13	Strike Plate	<b>-01 UC/WT</b>	4A5493-01	1							
13a	T2 Screw	<b>-01 UC/WT</b> 4x8, SS	7P32-0408	2							
14	Holder	<b>UR27B-LPW</b>	3A9571-01	4							
15	Thumbscrew		415949G10	8							
16	Locking Hole Plug		4A0586-06	2							

**E. Door-Right Hinged Glass**  
**Undercounter, Worktop, Prep Table**  
 K-5 to Q-5



Title: E. Door-Right Hinged Glass Models: Undercounter, Worktop, Prep Table						Required Number Per Section					
Index No.	Description	Material or Model Number	Part Number	K-5 to N-5	P-5 to Q-5						
1	Door (includes items 2 and 6)	UR27B-GLP01	2A8853-03	1	1						
		UF27B-GLP01	2A8853-04	1	1						
		UR48B-GLP01	2A8852-03	1	1						
2	Gasket	U_27B-GLP01	4A6448-01	1	-						
		UR48B-GLP01	4A6449-01	1	-						
			4A6075-01		1						
3	Upper Hinge		3A9346-02	1	1						
3a	Truss Head Screw	5x12, SS	7C32-0512	2	2						
4	Hinge Pin		3A7946-04	1	1						
5	Hinge Pin Locknut		3A7946-05	1	1						
6	Hinge Arm		3A7946-01	1	-						
			3A9346-02		1						
7	Lower Hinge		3A9342-01	1	1						
7a	Hex Head Tapping Bolt	1/4-20x3/4	4A5213-01	2	2						
8	Backer Plate		3A7946-08	1	1						
9	Slide Pin		3A7946-11	1	1						
10	Hinge Bushing		3A7946-09	1	1						
11	Nylon Washer		3A7946-10	1	-						
			413857-02		-						
12	Locking Hole Plug		4A0586-04		1						

## F. Door-Left Hinged Glass Undercounter, Worktop, Prep Table K-5 to Q-5



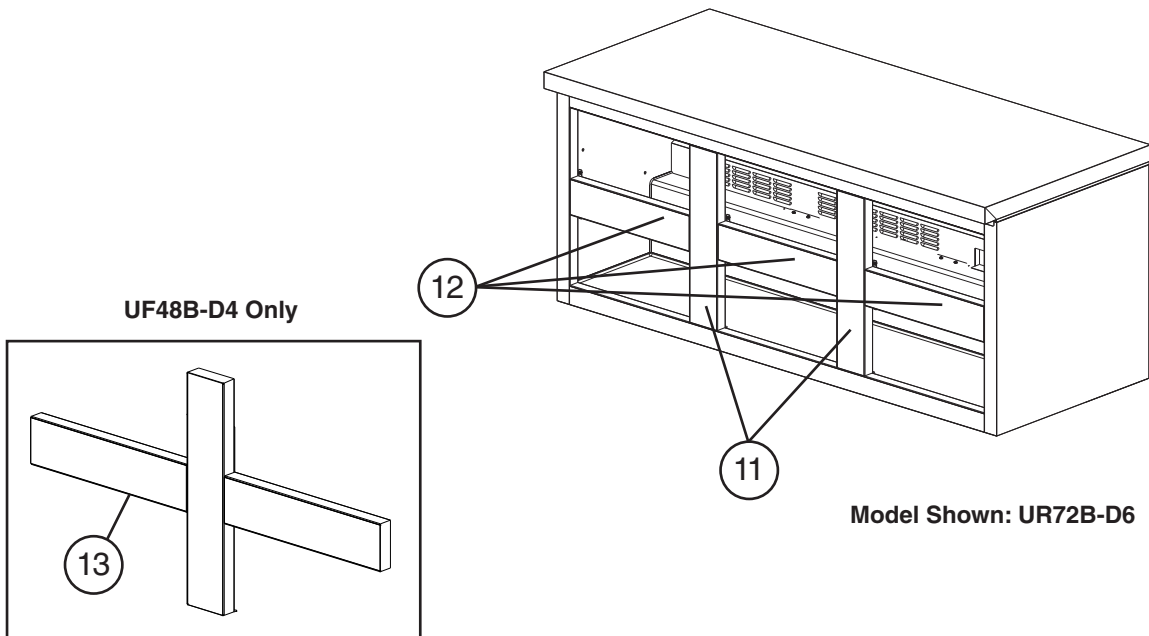
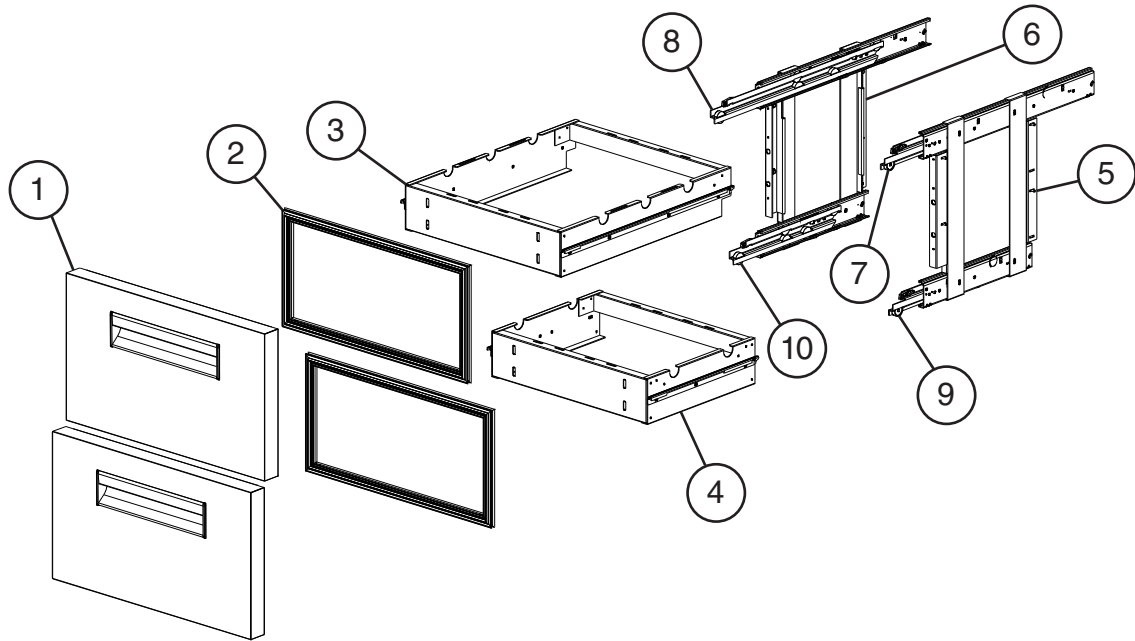
Model Shown: UR48A-GLP01

Title: F. Door-Left Hinged Glass		Models: Undercounter, Worktop, Prep Table		Required Number Per Section											
Index No.	Description	Material or Model Number	Part Number	K-5 to N-5	P-5 to Q-5										
1	Door (includes items 2 and 6)	<b>UR48B-GLP01</b>	2A8852-01	1	1										
2	Gasket	<b>UR48B-GLP01</b>	4A6449-01	1	-										
			4A6075-01		1										
3	Upper Hinge		3A9346-01	1	1										
3a	Truss Head Screw	5x12, SS	7C32-0512	2	2										
4	Hinge Pin		3A7946-04	1	1										
5	Hinge Pin Locknut		3A7946-05	1	1										
6	Hinge Arm		3A7946-01	1	-										
			3A9346-02		1										
7	Lower Hinge		3A9342-02	1	1										
7a	Hex Head Tapping Bolt	1/4-20x3/4	4A5213-01	2	2										
8	Backer Plate		3A7946-08	1	1										
9	Slide Pin		3A7946-11	1	1										
10	Hinge Bushing		3A7946-09	1	1										
11	Nylon Washer		3A7946-10	1	-										
			413857-02		-										
12	Locking Hole Plug		4A0586-04		1										

## G. Drawers

Undercounter/Worktop (-D2)(-D4)(-D6),  
Prep Table (-8D2)(-12Dx)(-12MD2)(-18MDx)(-24MDx)(-30MDx)  
1/2

K-5 to M-5

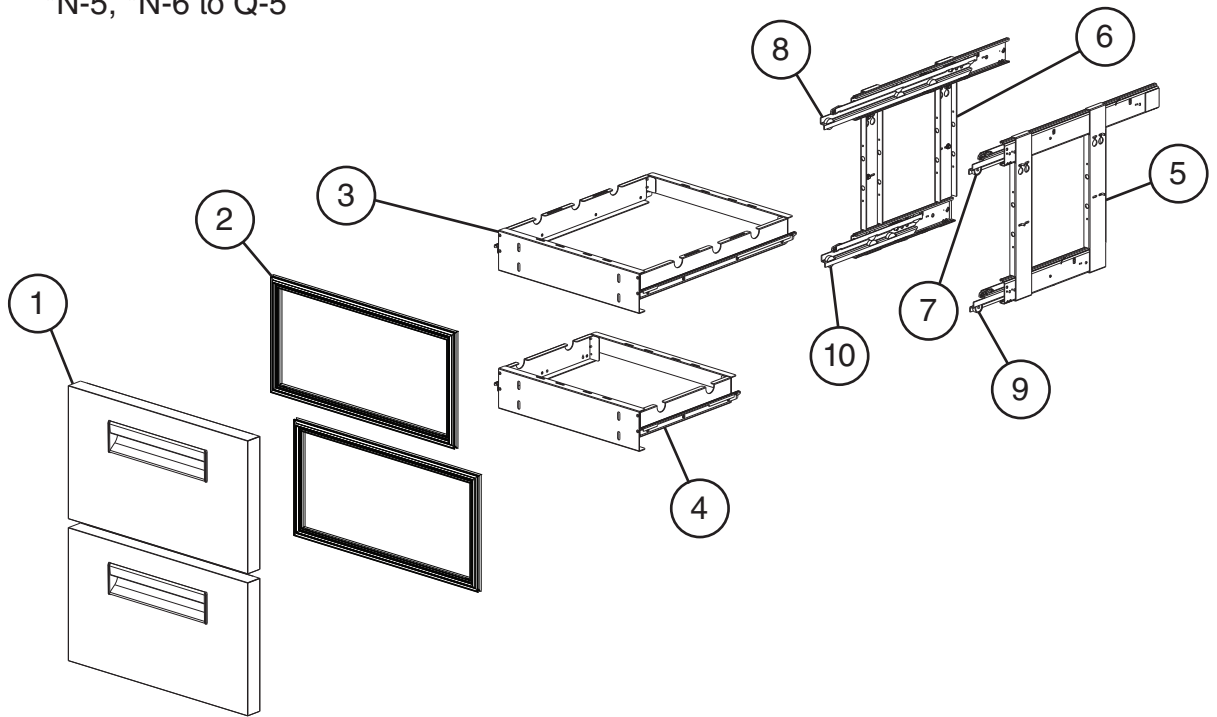


## G. Drawers

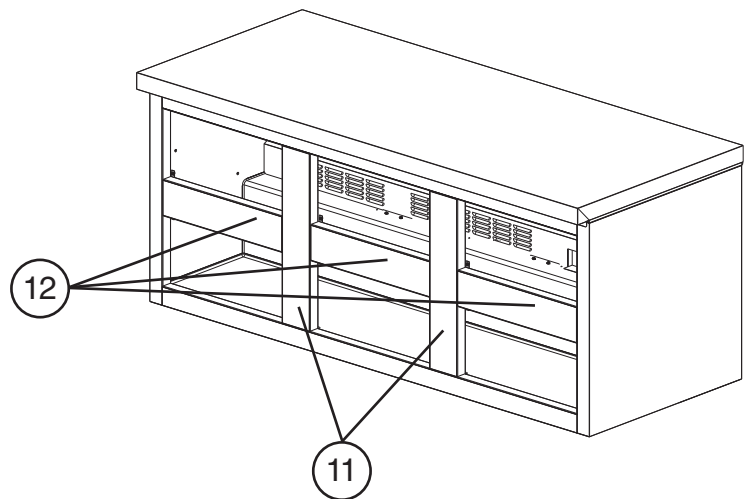
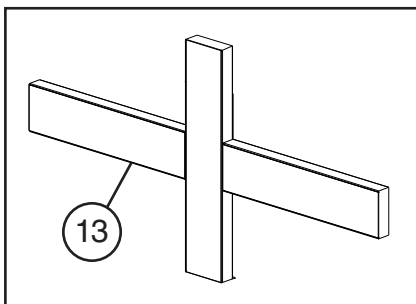
Undercounter/Worktop (-D2)(-D3)(-D4)(-D6),  
Prep Table (-8D2)(-10D2)(-12Dx)(-12MD2)(-15MD2)(-18MDx)(-24MDx)  
(-30MDx)

2/2

\*N-5, \*N-6 to Q-5



UF48B-D4 Only



Model Shown: UR72B-D6

**Title: G. Drawers Models: Undercounter/Worktop (-D2)(-D3)(-D4)(-D6),  
Prep Table (-8D2)(-10D2)(-12Dx)(-12MD2)(-15MD2)(-18MDx)(-24MDx)(-30MDx)**

Index No.	Description	Material or Model Number	Part Number	Required Number Per Section								
				K-5 to K-5 (J)	K-5 (K) to M-5	*N-5, *N-6 (L)	N-6 (M) to Q-5 (B)	Q-5 (C)	Q-5 (D)	Q-6 (E)		
1	Drawer Face	_R27B-D2(-8D2, -12MD2) _F27B-D2	2A9736G01	2	2	2	2	2	2	2		
		UR27B-LPD3 (Top and Center Drawer)	2B1094G01			2	2	2	2	2		
		UR27B-LPD3 (Bottom Drawer)	2B1093G01			1	1	1	1	1		
		_R36B-D2(-10D2, -15MD2)	2A9760G01			2	2	2	2	2		
		_R48B-Dx(-12Dx, -18MDx) _F48B-Dx	2A9759G01	2	2	2	2	2	2	2		
		_R60B-Dx(-24MDx)	2A9760G01	2	2	2	2	2	2	2		
		_R72B-D6(-30MDx)	2A9759G01	2	2	2	2	2	2	2		
2	Gasket	_R27B-D2(-8D2, -12MD2) _F27B-D2	2A5192-15	2	2	2	2	2	2	2		
		UR27B-LPD3 (Top and Center Drawer)	2A5192-21					2	2	2		
		UR27B-LPD3 (Bottom Drawer)	2A5192-29					1	1	1		
		_R36B-D2(-10D2, -15MD2)	2A5192-16			1	1	1	1	1		
		_R48B-Dx(-12Dx, -18MDx) _F48B-Dx	2A5192-17	2	2	2	2	2	2	2		
		_R60B-Dx(-24MDx)	2A5192-16	2	2	2	2	2	2	2		
		_R72B-D6(-30MDx)	2A5192-17	2	2	2	2	2	2	2		
3	Upper Drawer Box	_R27B-D2(-8D2, -12MD2) _F27B-xD2	3A9501G01	1	-							
			3B0691G01		1	*1	-					
			3B1804G01				1	-				
			3B2219G01					1	1	1		
		UR27B-LPD3	3B2184G01					2	2	2		
		_R36B-D2(-10D2, -15MD2) _R60B-Dx(-24MDx)	3B0773G01	1	1	*1	-					
			3B1808G01				1	-				
			3B2223G01					1	1	1		
		_R48B-Dx(-12Dx, -18MDx) _F48B-Dx _R72B-Dx(-30MDx)	3B0692G01	1	1	*1	-					
			3B1806G01				1	-				
	3B2221G01					1	1	1				
4	Lower Drawer Box	_R27B-D2(-8D2, -12MD2) _F27B-D2	3A8185G01	1	-							
			3B0694G01		1	*1	-					
			3B1805G01				1	-				
			3B2220G01					1	1	1		
		UR27B-LPD3	3B1805G01				1	1	-			
			3B2220G01						1	1		
		_R36B-Dx(-10Dx, -15MDx) _R60B-Dx(-24MDx)	3B0774G01	1	1	*1	-					
			3B1809G01				1	-				
			3B2224G01					1	1	1		
		_R48B-Dx(-12Dx, -18MDx) _F48B-Dx _R72B-Dx(-30MDx)	3B0735G01	1	1	*1	-					
	3B1807G01				1	-						
	3B2222G01					1	1	1				

\*See page 13 "Model and Serial Numbers for Upper and Lower Drawer Box, Right and Left Drawer Frame Change."

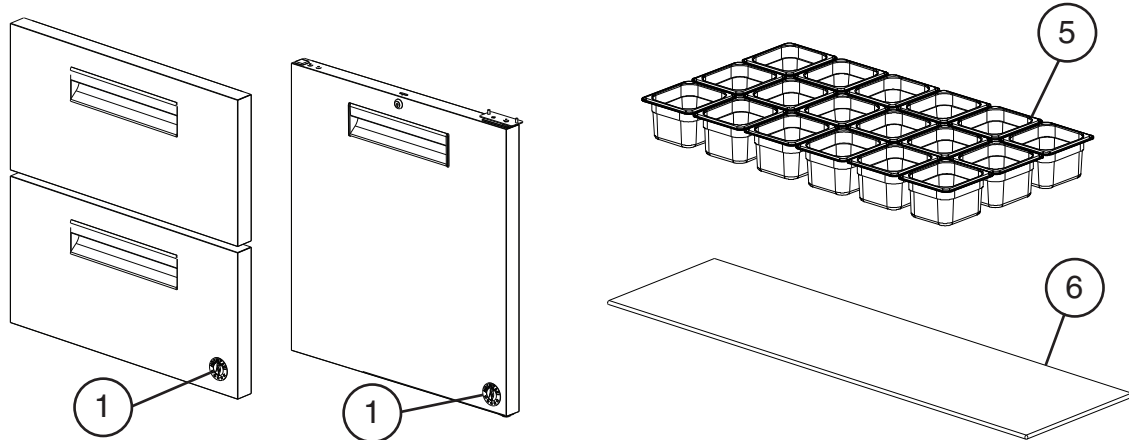
Title: G. Drawers Models: Undercounter/Worktop (-D2)(-D3)(-D4)(-D6), Prep Table (-8D2)(-10D2)(-12Dx)(-12MD2)(-15MD2)(-18MDx)(-24MDx)(-30MDx)											
Index No.	Description	Material or Model Number	Part Number	Required Number Per Section							
				K-5 to K-5 (J)	K-5 (K) to M-5	*N-5, *N-6 (L)	N-6 (M) to Q-5 (B)	Q-5 (C)	Q-5 (D)	Q-6 (E)	
5	Right Drawer Frame	<b>All Except UR27B-LPD3</b>	3A9646G01	1	1	*1	-				
			3B1479G01				1	-			
			3B2217G01					1	1	1	
		<b>UR27B-LPD3</b>	3B1978G01				1	1	1	-	
			3B2346G01							1	
6	Left Drawer Frame	<b>All Except UR27B-LPD3</b>	3A9647G01	1	1	*1	-				
			3B1480G01				1	-			
			3B2218G01					1	1	1	
		<b>UR27B-LPD3</b>	3B1979G01				1	1	1	-	
			3B2347G01							1	
7	Upper Right Slide Roller	<b>All Except UR27B-LPD3</b>	4A6146-02	1	1	1	1	-			
			4A7767-02					1	1	1	
			<b>UR27B-LPD3</b>	4A7748-02			2	2	2	2	2
8	Upper Left Slide Roller	<b>All Except UR27B-LPD3</b>	4A6147-02	1	1	1	1	-			
			4A7767-05					1	1	1	
			<b>UR27B-LPD3</b>	4A7748-05			2	2	2	2	2
9	Lower Right Slide Roller		4A5663-02	1	1	1	1	-			
			4A7766-02					1	1	1	
10	Lower Left Slide Roller		4A5664-02	1	1	1	1	-			
			4A7766-05					1	1	1	
11	Vertical Mullion	<b>_R48B-Dx(-12Dx, -18MDx)</b>	2A6824G01	1	1	1	1	1	1	1	
		<b>_R60B-Dx(-24MDx)</b>		1	1	1	1	1	1	1	
		<b>_R72B-D6(-30MDx)</b>		2	2	2	2	2	2	2	
12	Horizontal Mullion	<b>_R27B-D2(-8D2, -12MD2)</b>	2A7484G01	1	1	1	1	1	1	1	
		<b>_F27B-D2</b>	2A7485G01	1	1	1	1	1	1	1	
		<b>_R27B-D3</b>	2B1086G01		2	2	2	2	2	2	
		<b>_R36B-D2(-10D2, -15MD2)</b>	2A7497G01		1	1	1	1	1	1	
		<b>_R48B-D2(-12D2, -18MD2)</b>	2A7467G01	1	1	1	1	1	1	1	
		<b>_R60B-D2(-24MD2)</b>	2A7497G01	2	2	2	2	2	2	2	
		<b>_R60B-D4(-24MD4)</b>		2	2	2	2	2	2	2	
		<b>_R72B-D6(-30MDx)</b>	2A7467G01	3	3	3	3	3	3	3	
13	Cross Mullion	<b>_F48B-D4</b>	2A7530G01	1	1	1	1	1	1	1	
		<b>_F48B-D2</b>	2B1186G01		1	1	1	1	1	1	
		<b>_F60B</b>	2A7024G01		1	1	1	1	1	1	

\*See page 13 "Model and Serial Numbers for Upper and Lower Drawer Box, Right and Left Drawer Frame Change."

## H. Accessories & Labels

### Undercounter, Worktop, Prep Table

K-5 to Q-5



Title: H. Accessories & Labels Models: Undercounter, Worktop, Prep Table										
Index No.	Description	Material or Model Number	Part Number	Required Number						
				K-5 to Q-5						
<b>Common Parts</b>										
1	Penguin Label		475552L01	1						
2	4" Caster Kit (includes 2 of items 3 and 4 and 1 of 4a)	<b>HS-5035 UC</b>	4A5434A01	1						
	2" Caster Kit (includes 2 of items 3 and 4 and 1 of 4a)	<b>HS-5037 UC Low Profile</b>	4A5436A01	1						
	6" Caster Kit (includes 2 of items 3 and 4)	<b>HS-5036 WT/Prep Table</b>	4A5435A01	1						
3	4" Non-Locking Caster	<b>UC</b>	4A5427-01	2						
	2" Non-Locking Caster	<b>UC Low Profile</b>	4A5429-01	2						
	6" Non-Locking Caster	<b>WT/Prep Table</b>	4A5428-01	2						
4	4" Locking Caster	<b>UC</b>	4A5427-02	2						
	2" Locking Caster	<b>UC Low Profile</b>	4A5429-02	2						
	6" Locking Caster	<b>WT/Prep Table</b>	4A5428-02	2						
4a	Wrench	<b>UC Low Profile</b>	4A5492-01	1						
<b>Prep Table Specific Parts</b>										
5	1/6 Size Pan, 4" Depth	<b>-8</b>	1000000344	8						
		<b>-10</b>		10						
		<b>-16</b>		16						
		<b>-15M</b>		15						
		<b>-12, -12M, -12MD(x)</b>		12						
		<b>-18, -18M, -18MD(x)</b>		18						
		<b>-24M, -24MD(x)</b>		24						
		<b>-30M, -30MD(x)</b>		30						
6	Cutting Board	<b>SR27B-8(Dx) and SR27B-12(M(Dx))</b>	3A4894-09	1						
		<b>SR36B-10, -15 SR36B-10D2, -15MD2</b>	3A4894-15	1						
		<b>SR48B-xx(M(Dx))</b>	3A4894-10	1						
		<b>SR60B-xx(M(Dx))</b>	3A4894-13	1						
		<b>SR72B-xx(M(Dx))</b>	3A4894-14	1						