

DOOR LINER OR DOOR SKIN REPLACEMENT CONTENTS AND REQUIREMENTS

Contents

- 1 Door liner or door skin

Tools Required

T-20 Torx bit

These instructions describe door liner or door skin (including accent color door skin) replacement for the following products:

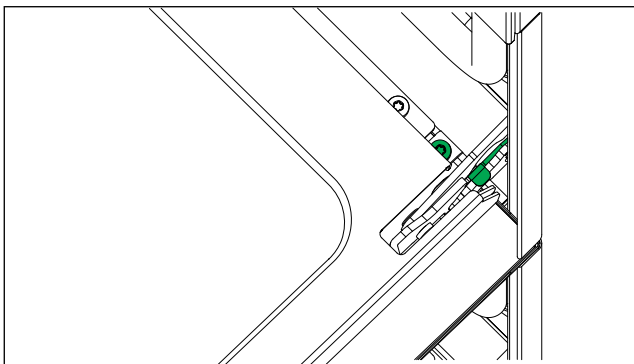
- Dual Fuel Ranges with the number 50 in the model name
- Induction Ranges with the number 50 in the model name
- Pro Induction Ranges, which have a number 51 in the model name

During and after replacement, it may be necessary to clean the door liner or door skin for the best presentation. Follow these guidelines when cleaning:

- **Stainless steel:** Use a nonabrasive stainless steel cleaner and apply with a soft lint-free cloth. To bring out the natural luster, lightly wipe the surface with a water-dampened microfiber cloth followed by a dry polishing chamois. Always follow the grain of the stainless steel.
- **Powder coating for painted doors:** Using a damp cloth, wipe with a mild detergent; rinse and dry.

REMOVE THE OVEN DOOR

- 1 Rotate the hinge lock towards the oven door to engage the door locks on both hinges.
- 2 Use a T-20 Torx bit to remove the door retaining screws.
- 3 Pull the door from the unit.

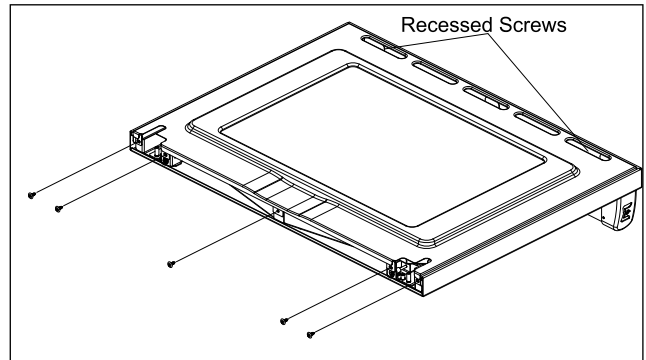


REMOVE THE OVEN DOOR LINER

- 1 Use a T-20 Torx bit to loosen the recessed screws in the top of the door.

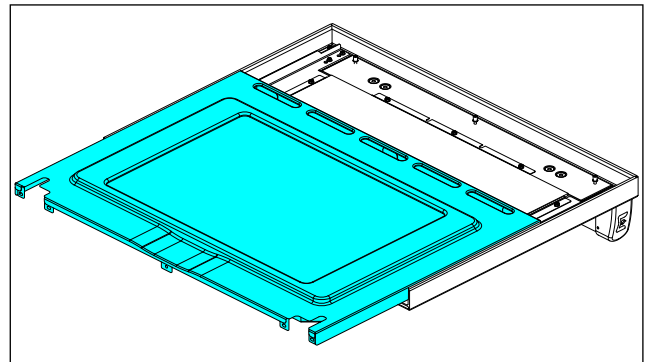
TIP: If replacing the door skin assembly, remove the screws. Do not remove the recessed screws unless replacing the door skin assembly.

- 2 Use a T-20 Torx bit to remove the screws at the bottom of the door.



- 3 Slide the door liner several inches toward the bottom of the door skin.

- 4 Lift the door liner away from the door skin.



INSTALL THE OVEN DOOR LINER

- 1 Place the door liner onto the door skin.
- 2 Slide the door liner upward to the top of the door skin.
- 3 Starting with the center screw, use a T-20 Torx bit to install the screws at the bottom of the door.
- 4 If replacing the door skin assembly, install the recessed screws in the top of the door.
- 5 Use a T-20 Torx bit to tighten the recessed screws.

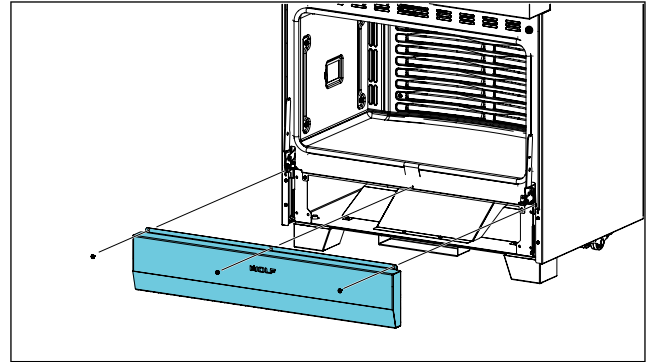
INSTALL THE OVEN DOOR

- 1 Place the oven door onto the hinges.
- 2 Use a T-20 Torx bit to install the door retaining screws.
- 3 Rotate the hinge lock away from the oven door to disengage the door locks on both hinges.

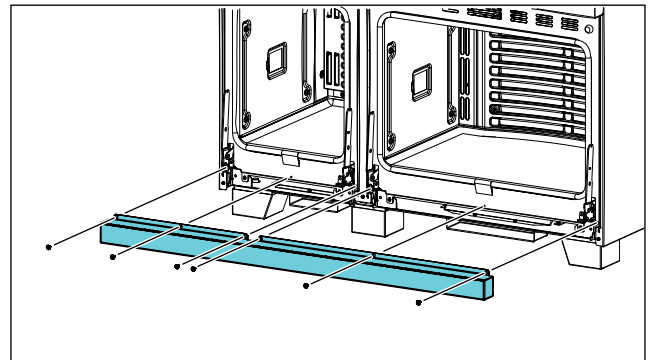
REMOVE THE SKIRT

IMPORTANT NOTE: The appearance of the skirt and the number of screws required to remove it may vary according to the model.

- 1 Use a T-20 Torx bit to remove the skirt mounting screws.
- 2 Lift the skirt up, removing it from the hooks.
- 3 Remove the skirt from the unit.



Skirt removal: 36" Induction Range (3 screws)



Skirt removal: 48" Dual Fuel Range (6 screws)

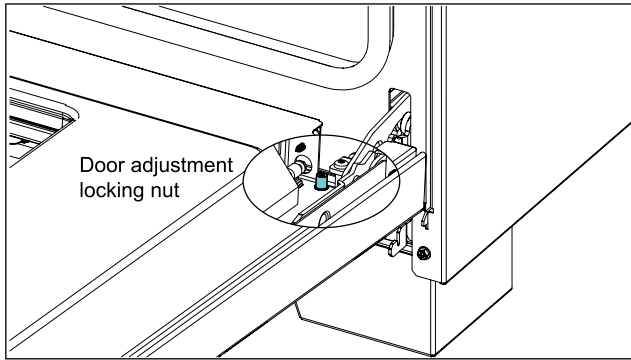
ADJUST THE DOOR

Door alignment is set at the factory. However, after replacing or exchanging door components, it is necessary to check and align the door.

Check both sides of the door for even gaps between the top of the door and the bullnose bottom. Verify the door is properly aligned with the surrounding cabinetry. In the case of 48" and 60" units, check that both doors are at the same height and the gap between the two doors is consistent from top to bottom.

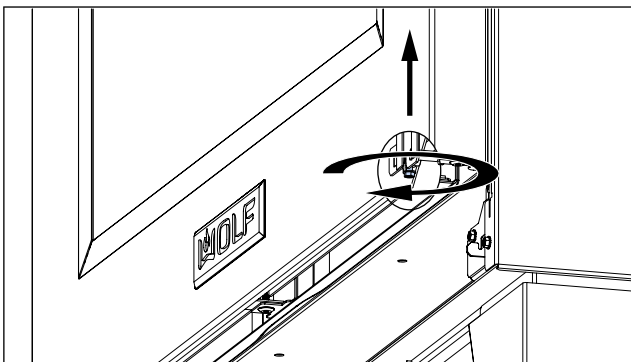
To adjust the door:

- 1 Open the door.
- 2 On each side, use a T-20 Torx bit to loosen the door adjustment locking nut.



- 3 Close the door.
- 4 From underneath, use a T-20 Torx bit to adjust the door height on each side using the door adjustment screws:
 - Clockwise raises the door.
 - Counterclockwise lowers the door.

While adjusting, check for proper alignment.



- 5 When door alignment is satisfactory, open the door.
- 6 Use a T-20 Torx bit to tighten the door adjustment locking nut.

INSTALL THE SKIRT

IMPORTANT NOTE: The appearance of the skirt and the number of screws required to install it may vary according to the model.

- 1 Place the skirt onto the hooks of the unit.
- 2 Use a T-20 Torx bit to install the skirt mounting screws.