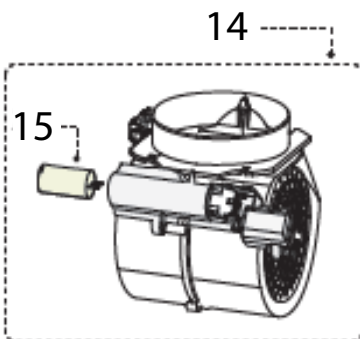
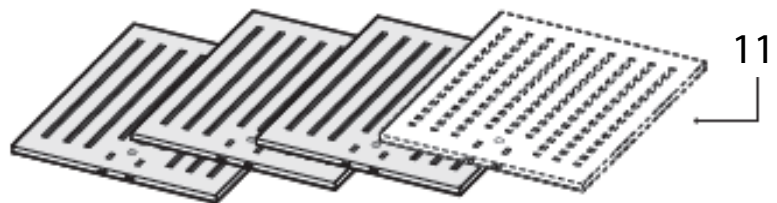
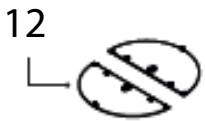
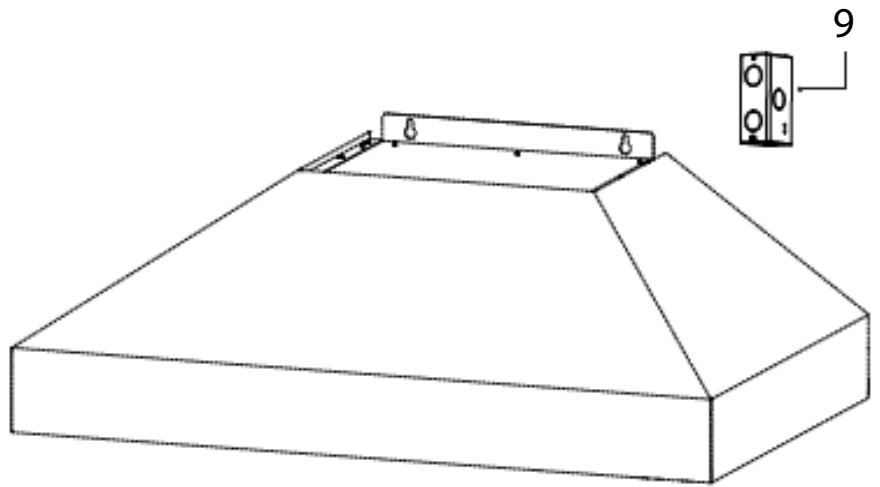
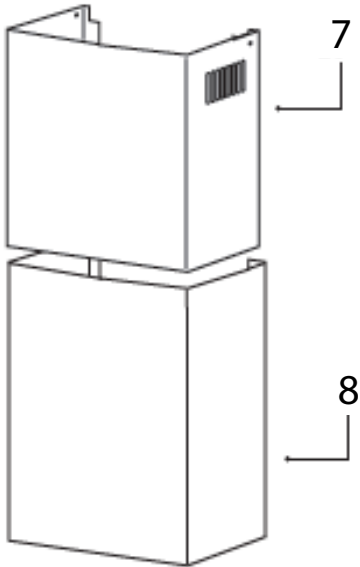
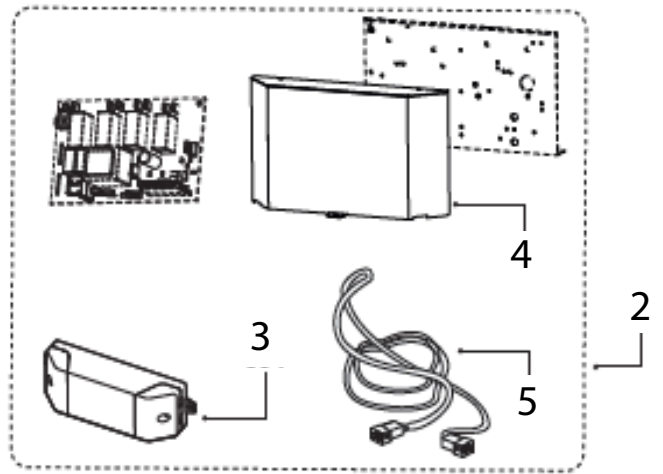
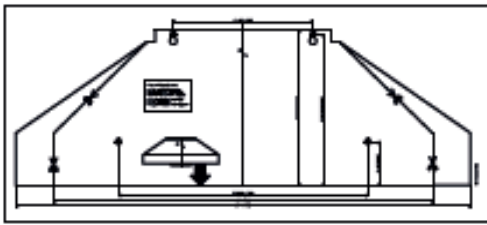


ZPO-E30AS  
ZPO-E36AS



**ZPO-E30AS, ZPO-E36AS**

<b>Ref #</b>	<b>Part #</b>	<b>Description</b>	<b>Qty.</b>
1	81010014	Paper Template	1
2	11010186	Main Control Board w/Wiring	1
3	12110023	Transformer	1
4	56200132	Control Board Box Cover	1
5	11030203	Light and Switch Internal Wiring	1
6	54140373	Duct Cover Bracket	1
7	50050223	Upper Duct Cover	1
8	50050222	Lower Duct Cover	1
9	56200063	Electrical Junction Box	1
10	50120245	Rear Panel (30")	1
10	50120246	Rear Panel (36")	1
11	50210051	Hybrid Baffle Filter (30")	2
11	50210045	Hybrid Baffle Filter (36")	2
12	54060015	6 Inch Round Damper	1
13	05000197	Hardware Packet	1
14	12120100	Motor	1
15	12050042	Capacitor	1
16	56200114	Switch Control Inner Housing	1
17	54140311	Switch Bracket	1
18	Z0B0051	LED Light	2
19	50110435	Light Panel (30")	1
19	50110436	Light Panel (36")	1
20	52170087	Switch Housing Cover	1
21	11000178	Switch Assembly	1