



INSTALLATION INSTRUCTIONS

French-Door, Bottom-Freezer Free-Standing Refrigerator

Pour obtenir une version française de ce manuel d'instructions,
visitez notre site monogram.com.

Para consultar una versión en español de este manual de instrucciones,
visite nuestro sitio de internet monogram.com.

Safety Information

For Monogram local service in your area, visit monogram.com
For Monogram service in Canada, visit monogram.ca
For Monogram Parts and Accessories, visit monogram.com/use-and-care/parts

CONTENTS

Planning Information

Product Dimensions and Clearances 4

Installation Instructions

Tools, Hardware, Materials 6

Grounding the Refrigerator 6

Step 1. Measure Cabinet Opening 7

Step 2. Install the Refrigerator 7

Step 3. Remove the Freezer Drawer 8

Step 4. Remove the Refrigerator Doors 8

Step 5. Move the Refrigerator 10

Step 6. Replace the Freezer Drawer 10

Step 7. Level the Freezer Drawer 10

Step 8. Replace Refrigerator Doors 11

Anti-tip 12

Step 9. Install Water Line 15

Step 10. Connect Water Supply 15

Step 11. Plug in the Refrigerator 17

Step 12. Level the Refrigerator 17

Step 13. Level Doors 17

Step 14. Remove Packaging, Start Icemaker 18

Step 15. Temperature Controls 18

Step 16. Purging the Water System 18

Step 17. Installing Handles 18

BEFORE YOU BEGIN Read these instructions completely and carefully.

- **IMPORTANT** — Save these instructions for local inspector's use.
- **IMPORTANT** — Observe all governing codes and ordinances.
- Note to Installer – Be sure to leave these instructions with the Consumer.
- Note to Consumer – Keep these instructions for future reference.
- Skill level – Installation of this appliance requires basic mechanical skills.
- Completion time – Refrigerator Installation 30 min. Water Line Installation 30 min.
- Proper installation is the responsibility of the installer.
- Product failure due to improper installation is not covered under the Warranty.
- Standard Depth (SD) Models begin with CFE.
- Counter Depth (CD) Models begin with CWE and CYE.

⚠ WARNING FIRE OR EXPLOSION HAZARD

Keep flammable materials and vapors away from refrigerator. Failure to do so can result in fire, explosion, or death.

Check the rating label for refrigerant type. If R600a, follow the warning instructions below.

⚠ WARNING FIRE OR EXPLOSION HAZARD Flammable Refrigerant

This appliance contains isobutane refrigerant, also known as R600a, a natural gas with high environmental compatibility. However, it is also combustible. Adhere to the warnings below to reduce the risk of injury or property damage.

1. When handling, installing and operating the appliance, care should be taken to avoid damage to the refrigerant tubing.
2. Service shall only be performed by authorized service personnel. Use only manufacturer-authorized service parts.
3. Dispose of refrigerator in accordance with Federal and Local Regulations. The flammable refrigerant and insulation material used in this product require special disposal procedures. Contact your local authorities for the environmentally safe disposal of your refrigerator.
4. Keep ventilation openings in the appliance enclosures or in the built-in structure clear of obstruction.
5. To remove frost, scrape with a plastic or wood spatula or scraper. Do not use an ice pick or a metal, or sharp-edged instrument as it may puncture the freezer liner and then the flammable refrigerant tubing behind it.
6. Do not use electrical appliances inside the food storage compartment of the appliance.
7. Do not use any electrical device to defrost your freezer.

⚠ WARNING TIP OVER HAZARD.

If an anti-tip floor bracket was included with your refrigerator, install it to prevent the refrigerator from tipping forward, which could result in death or serious injury. Read and follow the entire installation instructions for installing the anti-tip floor bracket packed with your refrigerator.

⚠ WARNING To reduce the risk associated with choking, do not allow children under 3 years of age to have access to small parts during the installation of this product.

Information de sécurité

⚠ AVERTISSEMENT



RISQUE D'INCENDIE OU D'EXPLOSION

Conservez les matériaux et les vapeurs inflammables à l'écart du réfrigérateur. Une explosion, un incendie voire la mort pourrait en résulter.

Lisez l'étiquette signalétique pour connaître le type de réfrigérant. S'il s'agit du R600a, observez les consignes de l'avertissement ci-dessous

⚠ AVERTISSEMENT



RISQUE D'INCENDIE OU D'EXPLOSION Réfrigérant inflammable

Cet appareil contient un gaz réfrigérant avec isobutane aussi connu sous R600a, un gaz naturel à compatibilité élevée avec l'environnement. Il s'agit cependant d'un combustible. Observez les consignes de sécurité ci-dessous afin de réduire le risque de blessure ou de dommage à la propriété.

1. Lors de la manipulation, de l'installation et de l'utilisation de cet appareil, prenez soin de ne pas endommager la tubulure du réfrigérant.
2. L'entretien ou la réparation doivent être effectués par un personnel de service autorisé. Utilisez seulement des pièces de rechange autorisées par le fabricant.
3. Mettez le réfrigérateur au rebut conformément aux réglementations fédérales et locales. Le gaz réfrigérant inflammable et les matériaux d'isolation utilisés dans ce produit requièrent des procédures de mise au rebut spéciales. Communiquez avec les autorités locales compétentes pour la mise au rebut de votre réfrigérateur sans danger pour l'environnement.
4. N'obstruez pas les orifices de ventilation dans les enceintes ou la structure d'encastrement de l'appareil.
5. Pour enlever le givre, grattez à l'aide d'un grattoir ou d'une spatule en plastique ou en bois. N'utilisez pas de pic à glace ou un instrument métallique à bord tranchant pour éviter de perforer la cuve interne du congélateur et la tubulure du gaz réfrigérant derrière cette dernière.
6. N'utilisez pas d'appareils électriques dans le compartiment de rangement des aliments de cet appareil.
7. N'utilisez aucun appareil électrique pour dégivrer votre congélateur.

⚠ AVERTISSEMENT



RISQUE DE BASCULEMENT

Si une ferrure anti-basculement est incluse avec votre réfrigérateur, installez-la pour empêcher le réfrigérateur de basculer vers l'avant, ce qui pourrait occasionner des blessures graves ou mortelles. Veuillez lire et observer l'intégralité des instructions d'installation pour installer la ferrure anti-basculement emballée avec votre réfrigérateur.

⚠ AVERTISSEMENT

Pour réduire le risque d'étouffement pendant l'installation de ce produit, ne pas laisser les petites pièces à la portée des enfants âgés de moins de 3 ans.

Información de seguridad

⚠ ADVERTENCIA RIESGO DE INCENDIO O EXPLOSIÓN

Mantenga cualquier material y vapores inflamables alejados del refrigerador. Si no se cumple con esto se podrá producir una explosión, incendio o la muerte.

Marque el tipo de refrigerador en la etiqueta de especificaciones técnicas. Si es el R600a, cumpla con las instrucciones descritas en la siguiente advertencia.

⚠ ADVERTENCIA RIESGO DE INCENDIO O EXPLOSIÓN Refrigerantes Inflamables

Este electrodoméstico cuenta con refrigerante isobutano, también conocido como R600a, un gas natural con alto nivel de compatibilidad medioambiental. Sin embargo, también es combustible. Siga las advertencias que figuran a continuación, a fin de reducir el riesgo de lesiones o daños sobre la propiedad.

1. Al mover, instalar y operar el electrodoméstico, se deberá tener cuidado de no dañar la tubería del refrigerante.
2. El servicio técnico sólo debe ser realizado por personal autorizado del servicio. Use sólo piezas del servicio autorizadas por el fabricante
3. Descarte el electrodoméstico de acuerdo con las Regulaciones Federales y Locales. El refrigerante inflamable y el material aislante inflamable usados en este producto requieren procedimientos de descarte especiales. Comuníquese con las autoridades locales para descartar su refrigerador de forma ambientalmente segura.
4. Mantenga las aberturas de ventilación en el espacio de protección del electrodoméstico o en la estructura incorporada libres de obstrucción.
5. A fin de eliminar la escarcha, raspe con una espátula o raspador de plástico o madera. No use un pico de hielo o un instrumento de metal con forma puntiaguda, ya que esto podrá perforar el revestimiento del freezer y luego la tubería refrigerante inflamable detrás de éste.
6. No use dispositivos eléctricos dentro del compartimiento de almacenamiento de comida del electrodoméstico.
7. No use ningún dispositivo eléctrico para descongelar su refrigerador.

⚠ ADVERTENCIA RIESGO DE CAÍDA

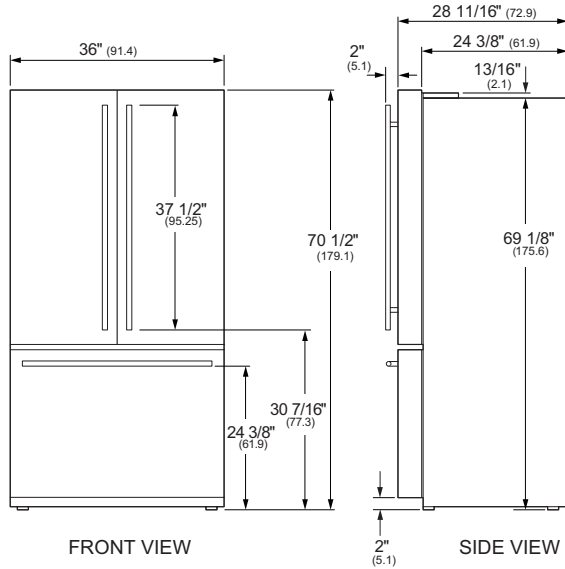
Si se incluye un soporte para piso antivolcaduras con su refrigerador, instale el mismo a fin de evitar que el refrigerador se incline hacia adelante, lo cual podrá producir como resultado la muerte o lesiones graves. Lea y siga las instrucciones de instalación en su totalidad, a fin de instalar el soporte de piso antivolcaduras embalado con su refrigerador.

⚠ ADVERTENCIA A fin de reducir el riesgo asociado con descargas, no permita que los niños menores de 3 años de edad tengan acceso a las partes pequeñas durante la instalación de este producto.

Planning Information

Product ships without handles. Handles designed for use on this model are available in accessory kits ZKLB3H3CTSS and ZKLB3H3PTSS. Dimensions are shown below for each handle kit style.

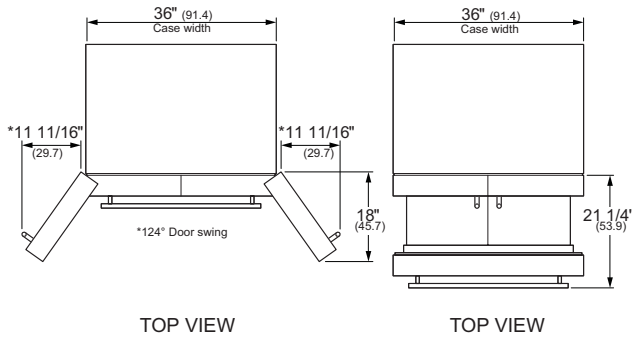
PRODUCT DIMENSIONS AND CLEARANCES, ZWE23N MODEL WITH MINIMALIST HANDLE KIT ZKLB3H3CTSS



SPECIFICATIONS	
Overall Width	36" (91.4 cm)
Overall Height	70 1/2" (179.1 cm)
Overall Depth	30 11/16" (77.9 cm)
Door Clearance	21 1/4" (54 cm)
Cutout Width	36 1/4" (92.1 cm)
Cutout Height	71" (180.3 cm)
Cutout Depth	26 3/8" (67 cm)
Plumbing Requirements	1/4" OD copper tubing or GE SmartConnect kit
Shipping Weight	400 lb (181.4 kg)

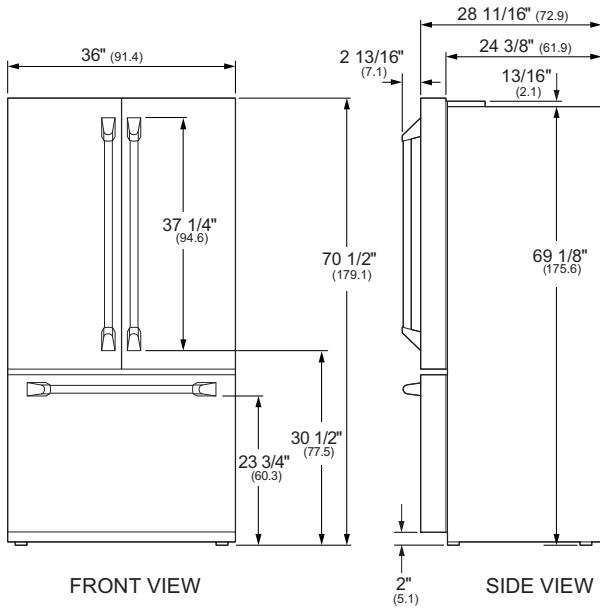
Air Gap Installation Dimensions:

- 1/8" (0.3 cm) on each side
- 1" (2.5 cm) at the top
- 2" (5.1 cm) at the back



Planning Information

PRODUCT DIMENSIONS AND CLEARANCES, ZWE23N MODEL WITH STATEMENT HANDLE KIT ZKLB3H3PTSS

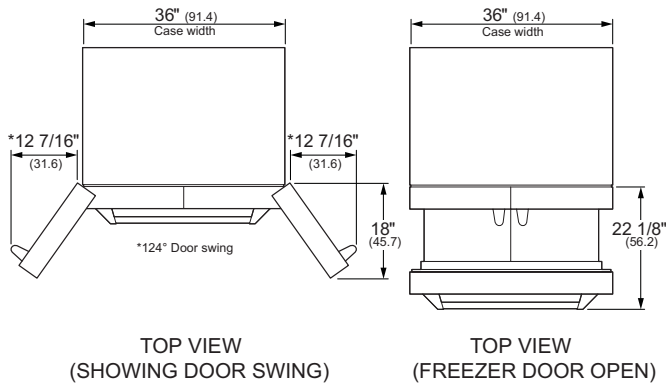


SPECIFICATIONS

Overall Width	36" (91.4 cm)
Overall Height	70 1/2" (179.1 cm)
Overall Depth	31 1/2" (80 cm)
Door Clearance	22 1/8" (56.2 cm)
Cutout Width	36 1/4" (92.1 cm)
Cutout Height	71" (180.3 cm)
Cutout Depth	26 3/8" (67 cm)
Plumbing Requirements	1/4" OD copper tubing or GE SmartConnect kit
Shipping Weight	400 lb (181.4 kg)

Air Gap Installation Dimensions:

- 1/8" (0.3 cm) on each side
- 1" (2.5 cm) at the top
- 2" (5.1 cm) at the back



Installation Instructions

TOOLS REQUIRED

- Adjustable wrench
- 3/8" socket ratchet/driver
- 8mm Socket Wrench
- PSD#2 screwdriver
- 7 mm hex socket wrench
- Phillips head screwdriver
- Flat-Head Screwdriver
- 5/32", 3/32", 1/8", 1/4" Allen wrenches
- 1/8" Drill bit and electric or hand drill
- Tape measure
- Pencil
- Wire cutters
- 1/4" Nut driver
- Level
- Torx T20, T25

MATERIALS REQUIRED

- 1/4" O.D. compression nut and 2 ferrules (sleeves)
OR SmartConnect™ Refrigerator Tubing Kits

REFRIGERATOR LOCATION

- Do not install the refrigerator where the temperature will go below 55°F (13°C). It will not run often enough to maintain proper temperatures.
- Do not install the refrigerator where temperatures will go above 100°F (37°C). It will not perform properly.
- Do not install the refrigerator in a location exposed to water (rain, etc.) or direct sunlight.
- Install it on a floor strong enough to support it fully loaded.

WARNING **ELECTRICAL SHOCK HAZARD**

Plug into a grounded 3-prong outlet. Do not remove the ground prong. Do not use an adapter. Do not use an extension cord. Failure to follow these instructions can result in death, fire, or electrical shock.

Do not, under any circumstances, cut or remove the third (ground) prong from the power cord. For personal safety, this appliance must be properly grounded.

The power cord of this appliance is equipped with a 3-prong (grounding) plug which mates with a standard 3-prong (grounding) wall outlet to minimize the possibility of electric shock hazard from this appliance.

Have the wall outlet and circuit checked by a qualified electrician to make sure the outlet is properly grounded.

Where a standard 2-prong wall outlet is encountered, it is your personal responsibility and obligation to have it replaced with a properly grounded 3-prong wall outlet. Do not use an adapter.

The refrigerator should always be plugged into its own individual electrical outlet which has a voltage rating that matches the rating plate.

A 115 Volt AC, 60 Hz, 15- or 20-amp fused, grounded electrical supply is required. This provides the best performance and also prevents overloading house wiring circuits which could cause a fire hazard from overheated wires.

Never unplug your refrigerator by pulling on the power cord. Always grip plug firmly and pull straight out from the outlet.

Immediately discontinue use of a damaged supply cord. If the supply cord is damaged, it must be replaced by a qualified service professional with an authorized service part from the manufacturer.

When moving the refrigerator away from the wall, be careful not to roll over or damage the power cord.

AVERTISSEMENT **RISQUE DE CHOC ÉLECTRIQUE**

Branchez l'appareil dans une prise triple avec terre. Ne retirez pas la broche de terre. N'utilisez pas d'adaptateur. N'utilisez pas un cordon de rallonge. Le non-respect de ces instructions peut entraîner des risques d'incendies, des chocs électriques ou la mort.

ADVERTENCIA **RIESGO DE DESCARGAS ELÉCTRICAS**

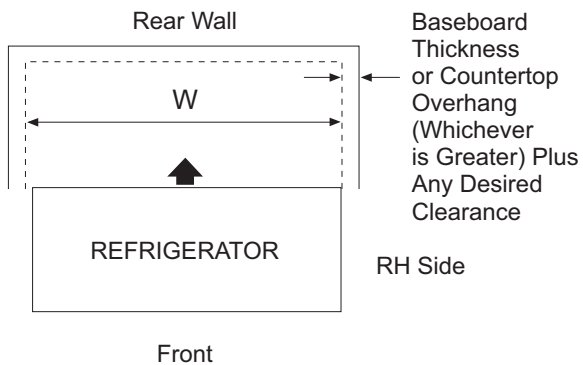
Enchufe en un tomacorriente con conexión a tierra de 3 cables. No elimine el cable de conexión a tierra. No use un adaptador. No use un prolongador. Si no se siguen estas instrucciones, se podrá producir la muerte, incendios o descargas eléctricas.

Installation Instructions

STEP 1 MEASURE CABINET OPENING AVAILABLE VS. REFRIGERATOR WIDTH

Measure width of cabinet opening where refrigerator will be placed, W.

Be sure to account for any countertop overhang, baseboard thickness and any clearance desired. Width, W, should not be less than 36 inches. The refrigerator will be placed approximately in the middle of this opening.



STEP 2 BEFORE MOVING REFRIGERATOR INDOORS

IMPORTANT: Doors and passageways into the installation location require a 31-1/2" (80 cm) min. opening. If the opening is less than 31-1/2" (80 cm), the top cap, doors and drawers must be removed. (See steps 4–6.)

NOTE: Skip steps 4–5 if door removal is not required. Go to page 10, Move The Refrigerator.

NOTE: To prevent damage, leave inside packaging, door spacer and outside protective wrap in place until the unit is moved to the installation location.

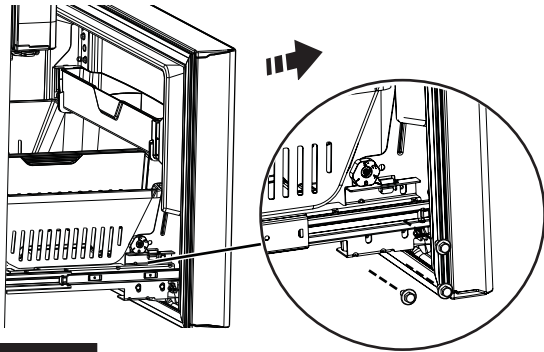
Installation Instructions

STEP 3 REMOVE THE FREEZER DRAWER

The freezer drawer can be removed, if needed, to fit through tight areas.

Read these instructions completely and carefully.

- A. Pull the freezer door open to full extension.
- B. Remove 3 attachment screws, located at the bottom on each side of the freezer door using 8mm hex socket driver.



⚠ CAUTION Lifting Hazard

Freezer door is heavy Use both hands to secure the door before lifting.

⚠ ATTENTION Avertissement de porte lourde.

La porte du compartiment congélateur est lourde. Utilisez les deux mains pour stabiliser la porte avant de la soulever.

⚠ PRECAUCIÓN Riesgo al levantar la puerta

La puerta del freezer es pesada. Use ambas manos para asegurar la puerta antes de levantar la misma.

- C. Lift the freezer door to disengage it from the slide mechanism. The door can safely rest on the bottom. Do not rest the door on any other surfaces to avoid scratches. Push the slide mechanism back completely until it self retracts.

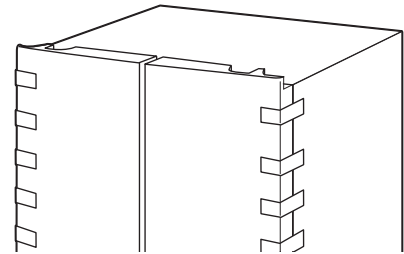
STEP 4 REMOVE THE REFRIGERATOR DOORS

⚠ WARNING Follow all steps for removing and reinstalling the door. Failure to follow these instructions, leaving off parts, or overtightening screws, can lead to the door falling off and result in injury and property damage.

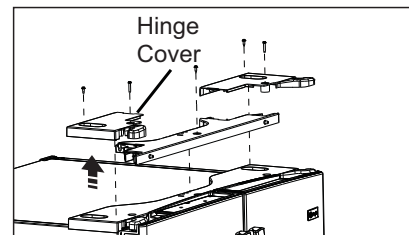
⚠ AVERTISSEMENT Suivez toutes les étapes pour enlever et réinstaller la porte. La porte risque de tomber en plus de causer des blessures ou des dommages si vous ne respectez pas ces instructions, oubliez des pièces ou effectuez un serrage excessif des vis.

⚠ ADVERTENCIA Siga todos los pasos para retirar y volver a instalar la puerta. Si no se siguen estas instrucciones, dejando piezas sin uso o ajustando tornillos en exceso, esto podrá hacer que la puerta se caiga y producir lesiones y daños sobre la propiedad.

- A. Securely tape the door shut with masking tape or have a second person support the door.



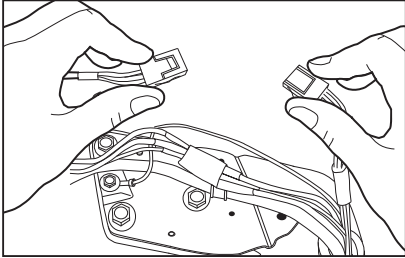
- B. Start with left-hand door first: Remove the hinge cover on top of the left refrigerator door by removing all 7mm hex screws and pulling it up. Do the same for the right-hand door and the middle cover.



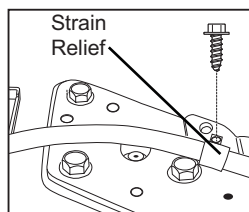
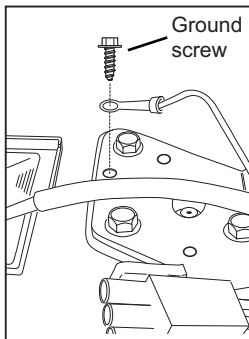
Installation Instructions

STEP 4 REMOVE THE REFRIGERATOR DOORS (CONT)

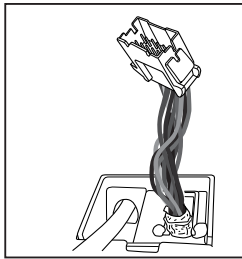
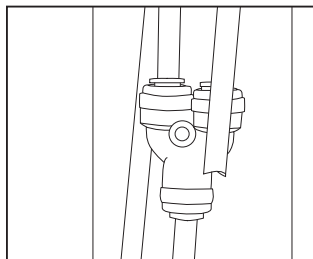
C. Disconnect both electrical connectors at the top cover.



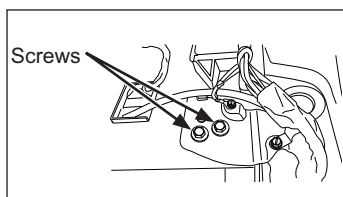
Remove the 1/4" hex head screw to disconnect the ground wire from the hinge.
Remove the 1/4" hex head screw to remove the strain relief from the water line.



D. Disconnect the water line from the back of the unit by pressing down on the dark grey collar while pulling up on the water line.
Pull waterline through case conduit from the top to free the line for door removal. The water line is more than 4' long and may need to be taped to Door for accessibility when reinstalling.



E. Using a 8mm socket ratchet/driver, remove the screws securing the top hinge to the cabinet, then lift the hinge straight up to free the hinge pin from the location in the top of the door.



STEP 4 REMOVE THE REFRIGERATOR DOORS (CONT)

CAUTION Lifting Hazard.

Single person lift could cause injury. Use assistance when handling, moving or lifting the refrigerator doors.

ATTENTION Avertissement de porte lourde.

Le soulèvement de la porte par une seule personne peut présenter un risque de blessure. Obtenir de l'assistance lors de la manipulation, du déplacement ou du soulèvement des portes du réfrigérateur.

PRECAUCIÓN Riesgo al levantar la puerta

Si es levantada por una sola persona, podrían ocasionarse lesiones. Solicite ayuda al sostener, mover o levantar las puertas del refrigerador.

NOTE: when removing door, to prevent damage to door and electronics, carefully place the door in a proper location.

NOTE: The lower door hinge pin and hinge are keyed and must be matched correctly for the door to self close properly. Please follow the directions carefully.

NOTE: for proper installation later, please follow the next step carefully.

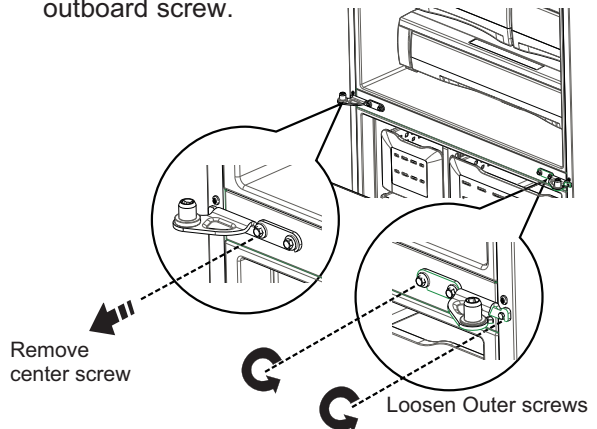
F. Refrigerator doors to be **REMOVED** and **INSTALLED** opened at 90° with case front.

REMOVE OPPOSITE DOOR

Follow the same procedure on the opposite door. There are no wires or water lines on the opposite side.

G. **REMOVE CENTER HINGE (if necessary)**

Remove the inner, larger 8mm hex head screws securing the center hinge to the cabinet. Use the T25 Torx / 1/4" Hex / PSD#2 driver to remove outboard screw.



Installation Instructions

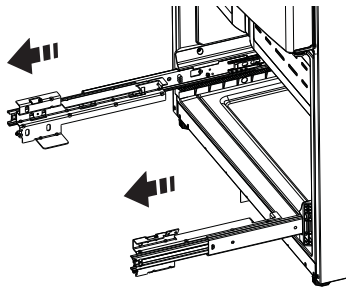
STEP 5 MOVE THE REFRIGERATOR

- Place a piece of the carton or soft cloth against the side panel of the refrigerator to pad and protect the stainless steel finish.
- Place the refrigerator on the handtruck **with a side against the truck only**.
- Move the refrigerator indoors. Place refrigerator close to the installation location.

STEP 6 REPLACE THE FREEZER DRAWER

ATTACH AND SECURE THE DRAWER FRONT TO THE SLIDES

- Pull the slide Mechanism to full extension using both hands simultaneously.
- Remove the basket resting on the slides.



⚠ CAUTION Lifting Hazard

Freezer door is heavy Use both hands to secure the door before lifting.

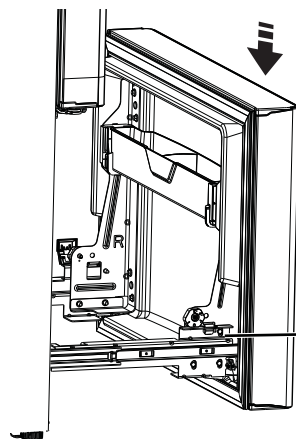
⚠ ATTENTION Avertissement de porte lourde.

La porte du compartiment congélateur est lourde. Utilisez les deux mains pour stabiliser la porte avant de la soulever.

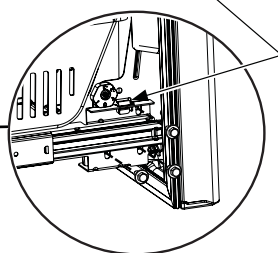
⚠ PRECAUCIÓN Riesgo al levantar la puerta

La puerta del freezer es pesada. Use ambas manos para asegurar la puerta antes de levantar la misma.

- Lift the freezer door and place it on the slide mechanism
- Replace the attachment screws and torque the screws to 65 in-lb (7.34 N-m).
- Adjust freezer door gap if necessary.

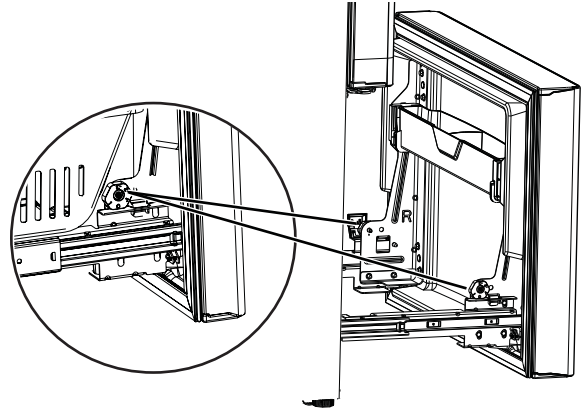


Align and insert tab on freezer door bracket into slot on freezer slide bracket.

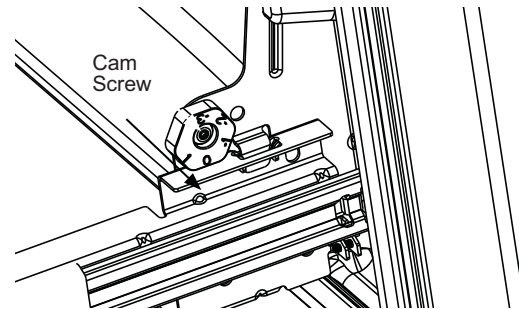


STEP 7 LEVEL THE FREEZER DRAWER

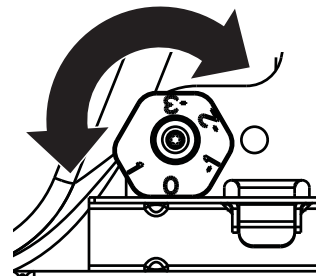
- Locate the height adjuster cam in the freezer door. Slightly loosen the three door attachment screws on both sides using an 8mm hex socket driver.



- Locate and loosen the cam screw using the 8mm socket driver.



- Lift the door on the side requiring adjustment, rotate the cam to required position.
- After adjustment tighten the 3 attachment screws using to 65 in-lb (7.34 N-m).



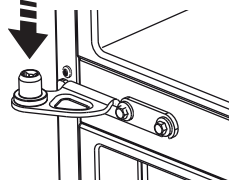
- 0 - Initial position
- 1 - Lift by 0.050" (0.127 cm)
- 1 - Lower by 0.050" (0.127 cm)
- 2 - Lower by 0.100" (0.254 cm)
- 3 - Lower by 0.150" (0.381 cm)

Installation Instructions

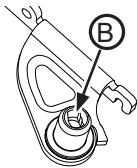
STEP 8 REPLACE REFRIGERATOR DOORS

Reverse steps 1 through 4 to reinstall refrigerator, follow details below for critical alignments.

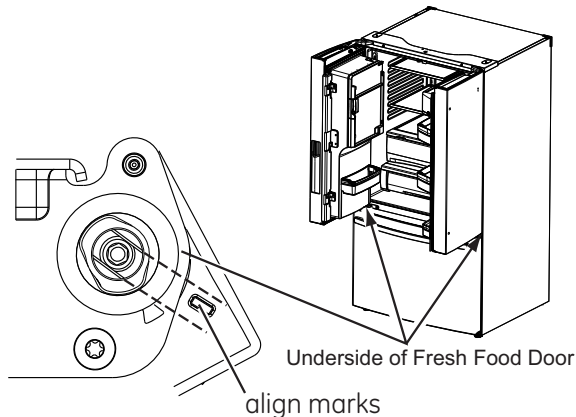
- A.** Reinstall center hinge first and torque the inner, larger 8mm hex head screws to 65 in-lbs (7.34 N-m) and small screw to 25 in-lbs (2.82 N-m). Rotating the screw by 1/3 turn after it is flush with mating surface will achieve these torques.



- B.** If the hinge on your refrigerator has a slot that looks like image B on the right, follow the steps below. Otherwise, skip to step C.



With the LH door at 90° + to the front of the case, lower the refrigerator door. Ensure the door and hinge align correctly. Rotate door closed and make sure moveable center sealing portion of the door aligns with the striker. If door cannot be installed at 90°, follow these next steps. Install door at 90° to case front. If space or model limits opening door to less than 180°, remove door and carefully turn door upside down. Check alignment of the door. There is an alignment mark on the door closure mechanism that corresponds to an alignment mark on the bottom end cap. Rotate door closure mechanism to align mark and arrow.



- C.** If the hinge on your refrigerator does not have a slot and looks like image C on the right, then simply lower the outer hole of the door on the hinge



- D.** Securely tape the door shut with masking tape or have a second person support the door.
E. Follow the same procedure to install the opposite door. There are no wires, water lines or center hinge covers on the opposite door.

STEP 8 REPLACE REFRIGERATOR DOORS (Cont.)

- F.** Be sure to reinstall the ground wire and strain relief to the top hinge.
G. Reinstall hinge cover. **NOTE:** Ensure wires are not pinched or under screw bosses before tightening screws.

INSTALLING THE REFRIGERATOR (Cont.) Anti-Tip Floor Bracket Installation (If Required)

WARNING



Tip Over Hazard.



If an anti-tip floor bracket was included with your refrigerator, install it to prevent the refrigerator from tipping forward, which could result in death or serious injury. Read and follow the entire installation instructions for installing the anti-tip floor bracket packed with your refrigerator.

NOTE:

If the anti-tip bracket included with your refrigerator was damaged or lost, call 1.800.626.8774 to receive one at no cost. (In Canada, call 1.800.561.3344.)

For installation instructions of the bracket, visit: GEAppliances.com. (In Canada, GEAppliances.ca.)

MATERIALS YOU MAY NEED (not included)



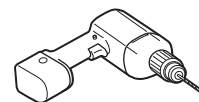
Lag Bolts
1/4" (6 mm) x 1-1/2" (38 mm)
Drill Bit Appropriate for Anchors



Anchor Sleeves
1/2" (12 mm) OD

For Anti-Tip Bracket Mounted on CONCRETE Floors Only

TOOLS YOU WILL NEED



1/8" (3 mm) Drill Bit and
Electric or Hand Drill



Tape measure



Pencil



5/16" (8 mm) Nut Driver

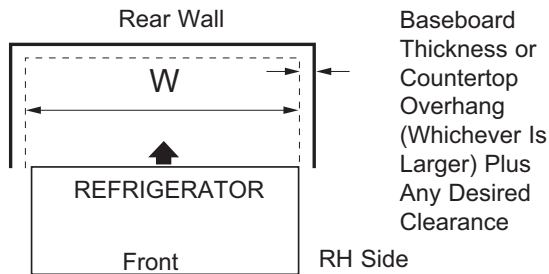
Installation Instructions

INSTALLING THE REFRIGERATOR (Cont.) Anti-Tip Floor Bracket Installation (If Required)

AT-1 MEASURE CABINET OPENING AVAILABLE VS. REFRIGERATOR WIDTH

Measure width of cabinet opening where refrigerator will be placed, W.

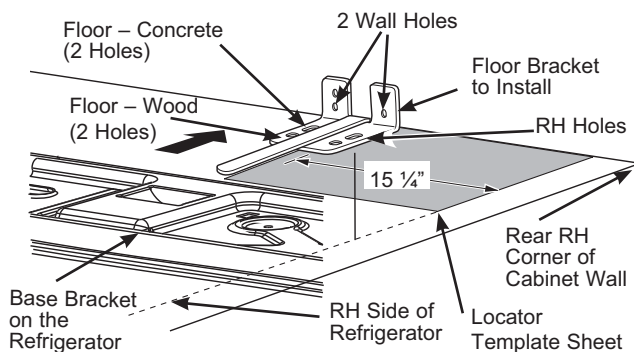
Be sure to account for any countertop overhang, baseboard thickness and any clearance desired. Width, W, should not be less than 36". The refrigerator will be placed approximately in the middle of this opening.



AT-2 LOCATING THE ANTI-TIP FLOOR BRACKET

A Place the anti-tip floor bracket locator template (included inside the anti-tip kit) onto the floor up against the rear wall, within W, and in line with the desired location of the RH side of the refrigerator (see Figure 1).

Figure 1 – Installation Overview



B Place the anti-tip floor bracket onto the locator template with its RH floor holes lined up with the floor holes indicated on the template sheet, approximately 15 1/4" (38.73 cm) from the edge of the sheet or the RH side of the refrigerator.

C Hold down in position and use the anti-tip floor bracket as a template for marking the holes based upon your configuration and type of construction as shown in Step 3. Mark the hole locations with a pencil, nail or awl.

AT-2 LOCATING THE ANTI-TIP FLOOR BRACKET

C Hold down in position and use the anti-tip floor bracket as a template for marking the holes based upon your configuration and type of construction as shown in Step 3. Mark the hole locations with a pencil, nail or awl.

NOTE:

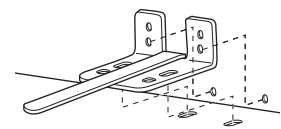
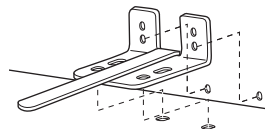
- It is REQUIRED to use at least 2 screws to mount the floor bracket (one on each side of the anti-tip floor bracket). Both must be into either the wall or the floor. Figure 2 indicates all the acceptable mounting configurations for screws. Identify the screw holes on the anti-tip floor bracket for your configuration.

AT-2 LOCATING THE ANTI-TIP FLOOR BRACKET (cont.)

Figure 2 – Acceptable Screw Placement Locations

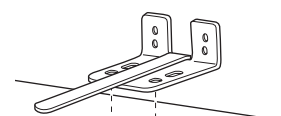
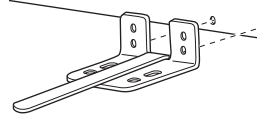
Recommended Installation – Wood

Recommended Installation – Concrete

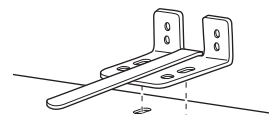


Minimum Acceptable #1 – Wall Plate Stud

Minimum Acceptable #2 – Wood Floor



Minimum Acceptable #3 – Concrete Floor



Installation Instructions

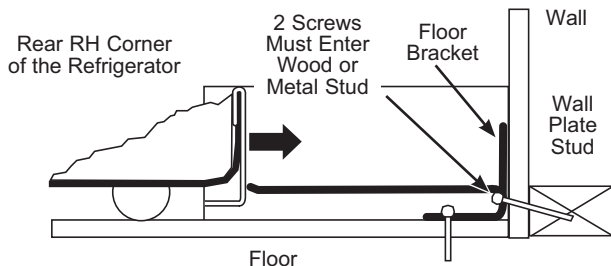
INSTALLING THE REFRIGERATOR (Cont.) Anti-Tip Floor Bracket Installation

AT-3 ANTI-TIP BRACKET INSTALLATION

A WOOD Wall and Floor Construction:

- Drill the appropriate number of 1/8" (3 mm) pilot holes in the center of each floor bracket hole being used (a nail or awl may be used if a drill is not available) AND remove the locator template from the floor.
- Mount the anti-tip floor bracket by fastening the 2, or recommended 4, #10-16 hex-head screws tightly into place as illustrated in Figure 3.

Figure 3 – Attachment to Wall and Floor



B CONCRETE Wall and Floor Construction:

- Anchors required (not provided):
4 each 1/4" (6 mm) x 1-1/2" (38 mm) lag bolts
4 each 1/2" (12 mm) O.D. sleeve anchors
- Drill the recommended size holes for the anchors into the concrete at the center of the holes marked in Step 2.
- Install the sleeve anchors into the drilled holes. Place the anti-tip floor bracket as indicated in Step 2. Remove the locator template from the floor.
- Install the lag bolts through the anti-tip floor bracket and tighten appropriately.

C WOOD Wall and TILE Floor Construction:

- For this special case, locate the 2 wall holes identified in Fig. 2. Drill an angled 1/8" (3 mm) pilot hole (approx. as shown in Fig. 3) in the center of each hole.
- Mount the anti-tip floor bracket using the Minimum Acceptable Installation #1, as illustrated in Fig. 2.

AT-4 POSITIONING THE REFRIGERATOR TO ENGAGE THE ANTI-TIP FLOOR AND BASE BRACKETS

- A Before pushing the refrigerator into the opening, plug the power cord into the receptacle and connect waterline (if equipped). Check for leaks.
- B Locate the refrigerator's RH side and move back approximately in line with the RH side of the cabinet opening, W. This should position the anti-tip floor bracket to engage the anti-tip base bracket on the refrigerator.
- C Gently roll the refrigerator back into the cabinet opening until it comes to a complete stop. Check to see if the refrigerator front lines up with the cabinet front face. If not, carefully rock the refrigerator forward and backward until engagement occurs and you notice that the refrigerator is fully pushed up against the rear wall.
- D **If Applicable:** Adjust the rear (and front) wheel height settings to fully engage the rear anti-tip brackets, while also aligning the refrigerator front with the cabinet front face.

NOTE: If you pull the refrigerator out and away from the wall for any reason, make sure the anti-tip floor bracket is engaged when the refrigerator is pushed back against the rear wall.

STEP 9 INSTALL WATER LINE

Recommended copper water supply kits are WX8X2, WX8X3 or WX8X4, depending on the amount of tubing you need. Approved plastic water supply lines are SmartConnect™ Refrigerator Tubing (WX08X10006, WX08X10015 and WX08X10025).

When connecting your refrigerator to a Reverse Osmosis Water System, the only approved installation is with a GE Appliances RVKit. For other reverse osmosis water systems, follow the manufacturer's recommendations.

If the water supply to the refrigerator is from a Reverse Osmosis Water Filtration System (RO) AND the refrigerator also has a water filter, use the refrigerator's filter bypass plug. Using the refrigerator's water filtration cartridge in conjunction with an RO water filter can result in hollow ice cubes. Some models do not come equipped with the filter bypass plug. To obtain a free bypass plug, call 800-GECARES. In Canada call 888.880.3030.

This water line installation is not warranted by the refrigerator or ice maker manufacturer. Follow these instructions carefully to minimize the risk of expensive water damage.

Water hammer (water banging in the pipes) in house plumbing can cause damage to refrigerator parts and lead to water leakage or flooding. Call a qualified plumber to correct water hammer before installing the water supply line to the refrigerator.

To prevent burns and product damage, do not hook up the water line to the hot water line.

Do not install the ice maker tubing in areas where temperatures fall below freezing.

When using any electrical device (such as a power drill) during installation, be sure the device is double insulated or grounded in a manner to prevent the hazard of electric shock, or is battery powered.

All installations must be in accordance with local plumbing code requirements.

- Copper or SmartConnect™ Refrigerator Tubing kit, 1/4" outer diameter to connect the refrigerator to the water supply. If using copper, be sure both ends of the tubing are cut square.

To determine how much tubing you need: measure the distance from the water valve on the back of the refrigerator to the water supply pipe. Be sure there is sufficient extra tubing to allow the refrigerator to move out from the wall after installation.

STEP 9 INSTALL WATER LINE

SmartConnect™ Refrigerator Tubing Kits are available in the following lengths:

6' (1.8 m)	– WX08X10006
15' (4.6 m)	– WX08X10015
25' (7.6 m)	– WX08X10025

STEP 10 CONNECT WATER SUPPLY

A cold water supply is required for automatic ice maker operation. If there is not a cold water supply, you will need to provide one. See Installing the Water Line section.

NOTES:

- Before making the connection to the refrigerator, be sure the refrigerator power cord is not plugged into the wall outlet.
 - If your refrigerator does not have a water filter, we recommend installing one if your water supply has sand or particles that could clog the screen of the refrigerator's water valve. Install it in the water line near the refrigerator. If using SmartConnect™ Refrigerator Tubing Kit, you will need an additional tube (WX08X10002) to connect the filter. Do not cut plastic tube to install filter.
 - Before connecting the water line to the house, purge the house line for at least 2 minutes.
- A. If you are using copper tubing, place a compression nut and ferrule (sleeve) onto the end of the tubing coming from the house cold water supply.

If you are using the SmartConnect™ tubing, the nuts are already assembled to the tubing.

WARNING **Electrical Shock Hazard.**

Attach tubing clamp using existing hole only. DO NOT drill into the refrigerator.

AVERTISSEMENT **RISQUE DE DÉCHARGE ÉLECTRIQUE**

Fixez le collier de serrage dans le trou présent seulement. NE PERCEZ PAS dans le réfrigérateur.

ADVERTENCIA **PELIGRO DE DESCARGA**

ELÉCTRICA Adhiera la abrazadera de la tubería usando el agujero existente únicamente. NO perforo el refrigerador.

- B. If you are using copper tubing, insert the end of the tubing into the refrigerator connection, at the back of the refrigerator, as far as possible. While holding the tubing, tighten the fitting.

If you are using SmartConnect™ tubing, insert the molded end of the tubing into the refrigerator connection, at the back of the refrigerator, and tighten the compression nut until it is hand tight. Then tighten one additional turn with a wrench. Over tightening may cause leaks.

- C. Fasten the tubing into the clamp provided to hold it in position. You may need to pry open the clamp.

- D. Turn on the water at the shut-off valve to check for leaks.

Installation Instructions

STEP 10 CONNECT WATER SUPPLY (Cont.)

⚠ WARNING

Connect to potable water supply only. A cold water supply is required for automatic icemaker operation. The water pressure must be between 40 and 120 psi (275-827 kilopascals).

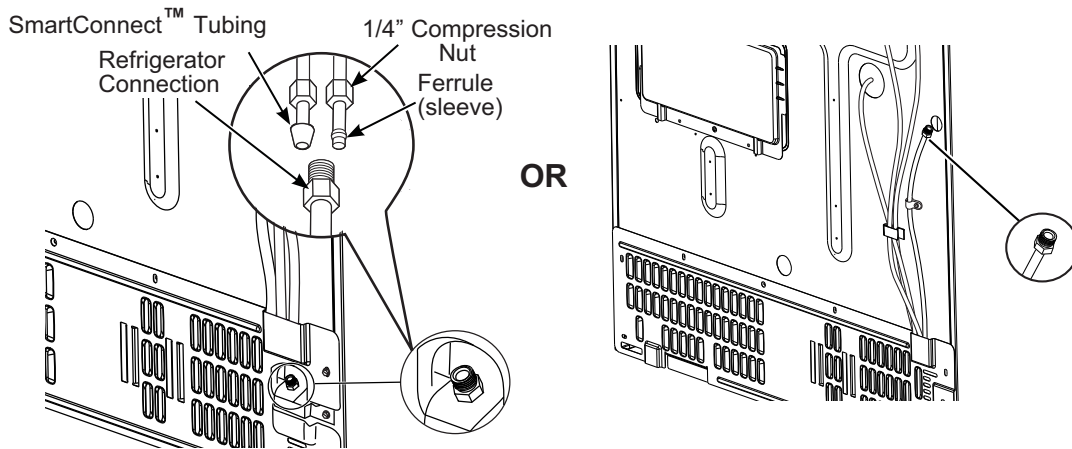
⚠ AVERTISSEMENT

Raccordez-vous à une alimentation en eau potable seulement.

Une alimentation en eau potable est requise pour le fonctionnement de la machine à glaçons. La pression d'eau doit se situer entre 40 et 120 psi (275 à 827 kilopascals).

⚠ ADVERTENCIA

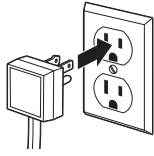
Realice la conexión a un suministro de agua potable únicamente. Se requiere un suministro de agua fría para el funcionamiento de la máquina de hielos automática. La presión del agua deberá estar entre 40 y 120 psi (275-827 kilopascales).



Installation Instructions

STEP 11 PLUG IN THE REFRIGERATOR

See the grounding information attached to the power cord.

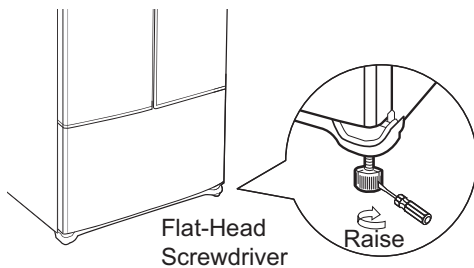


STEP 12 LEVEL THE REFRIGERATOR

The leveling legs have two purposes:

- Leveling legs adjust so the refrigerator is firmly positioned on the floor and does not wobble.
- Leveling legs serve as a stabilizing brake to hold the refrigerator securely in position during operation and cleaning. The leveling legs also prevent the refrigerator from tipping.

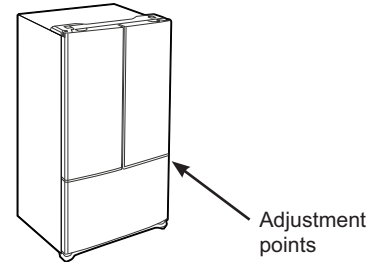
Turn the leveling legs clockwise to raise the refrigerator, counterclockwise to lower it.



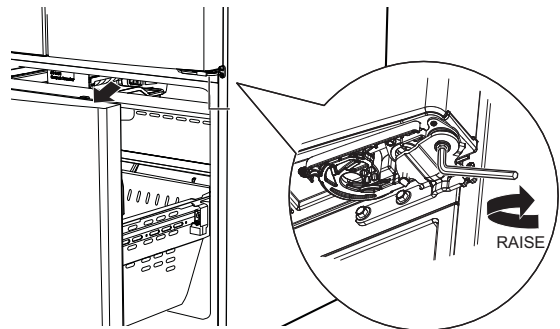
NOTICE: To avoid possible property damage, the leveling legs must be firmly touching the floor.

STEP 13 LEVEL THE DOORS

Remember a level refrigerator is necessary for getting the doors perfectly even. If you need help, review the previous section on leveling the refrigerator.

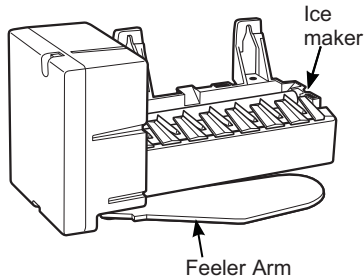


- A. If you open the freezer door, you can see the center hinge.
- B. Insert 1/4" Allen wrench into the shaft of the center hinge.
- C. Adjust the height by turning clockwise or counterclockwise. When you turn counterclockwise, the door will move up.



Installation Instructions

STEP 14 AUTOMATIC ICEMAKER



- Make sure the icemaker is turned to the ON position ONLY AFTER the water line is connected and the water is turned on.
- Newly installed refrigerators may need up to 24 hours to cool and for ice production to begin.

⚠ WARNING

Avoid contact with the moving parts of the ejector mechanism, or with the heating element (located on the bottom of the ice maker) that releases the cubes. Do not place fingers or hands on the automatic ice making mechanism while the refrigerator is plugged in.

⚠ AVERTISSEMENT

Évitez le contact avec les pièces mobiles du mécanisme d'éjection et l'élément chauffant (situé dans le bas de la machine à glaçons) qui libère les cubes. Ne placez ni les doigts ni les mains sur le mécanisme de production de glace automatique lorsque le réfrigérateur est branché.

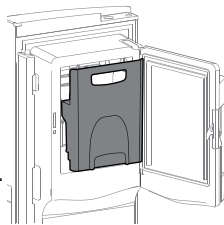
⚠ ADVERTENCIA

Evite el contacto con las partes en movimiento del mecanismo expulsor o con el elemento de calefacción (ubicado en la parte inferior de la máquina de hielos) que expulsa los cubos. No coloque los dedos ni las manos en el mecanismo de la máquina de hielos automática mientras el refrigerador esté enchufado.

Normal Use

- Normal ice production = 100 - 130 cubes in 24 hours.

To fill bucket to maximum capacity after installation, dispense 3-4 cubes at 12 hours and 18 hours. Allow 2-3 days for the bucket to completely fill with ice.



2-3 days

It is normal for ice to appear discolored initially or after water filter replacement. After starting the icemaker, or replacing the water filter, Throw away the first bin of ice to allow the water line to clear.

The freezer ice maker is available as a kit for some models.

STEP 15 TEMPERATURE CONTROLS

- The temperature controls are preset at 37°F (2.77°C) for the refrigerator and 0°F (-17.77°C) for the freezer.
- Allow 24 hours to stabilize before making adjustments.

STEP 16 PURGING THE WATER SYSTEM

Once the unit is on, press the dispenser button/paddle and dispense water for at least 5 minutes to remove air from the water line, and flush the filter. The first few batches of ice should also be discarded. For Non Dispense models, throw away the first bin of ice production.

STEP 17 INSTALLING DOOR HANDLES

These models require separately purchased door handle kits. Instructions to install each handle are included with the kit.

Notes

NOTE: While performing installations described in this book, safety glasses or goggles should be worn.

NOTE: Product improvement is a continuing endeavor at GE Appliances. Therefore, materials, appearance and specifications are subject to change without notice.



INSTRUCTIONS D'INSTALLATION

**Réfrigérateur à portes françaises
et congélateur en bas**

FRANÇAIS

MONOGRAM.COM

Consignes de sécurité

Pour joindre le service Monogram de votre région, visitez monogram.com

Pour le service Monogram au Canada, visitez monogram.ca

Pour le service des Pièces et accessoires Monogram, visitez monogram.com/use-and-care/parts.

SOMMAIRE

Planification

Dimensions et dégagements 3

Instructions d'installation

Outils, quincaillerie, matériaux 5

Mise à la terre du réfrigérateur 5

Étape 1, Mesure de l'ouverture dans le meuble 6

Étape 2, Installation du réfrigérateur 6

Étape 3, Retrait du tiroir de congélation 7

Étape 4, Retrait des portes du réfrigérateur 8

Étape 5, Déplacement du réfrigérateur 8

Étape 6, Remise en place du tiroir

de congélation 9

Étape 7, Nivellement du tiroir de congélation 9

Étape 8, Remise en place des portes
du réfrigérateur 10

Étape 9, Installation du tuyau d'alimentation
en eau 10

Étape 10, Branchement de l'alimentation d'eau 11

Étape 11, Branchement de l'alimentation électrique 11

Étape 12, Nivellement du réfrigérateur 12

Étape 13, Nivellement des portes 13

Étape 14, Retrait de l'emballage, mise
en marche de la machine à glaçons 13

Étape 15, Commandes de température 13

Étape 16, Purge du système d'eau 13

Étape 17, Installation des poignées 18

AVANT DE COMMENCER

Lisez ces instructions complètement et attentivement.

- **IMPORTANT** — Conservez ces instructions pour l'inspecteur local.
- **IMPORTANT** — Respectez tous les codes et règlements en vigueur.
- Note à l'installateur - Assurez-vous de donner ces instructions au consommateur
- Note au consommateur - Conservez ces instructions pour référence ultérieure.
- Niveau de compétence - L'installation de cet appareil requiert des compétences mécaniques de base.

- Temps d'exécution - Installation du réfrigérateur 30 min.
Installation de la ligne d'eau 30 min.
- Une installation adéquate est la responsabilité de l'installateur.
- Une panne du produit due à une mauvaise installation n'est pas couverte par la garantie.
- Profondeur standard (PS) Les modèles commencent par CFE.
- Profondeur de comptoir (PC) Les modèles commencent par CWE ou CYE.

⚠ AVERTISSEMENT

Lorsque vous utilisez le réfrigérateur, observez toujours certaines précautions de base, notamment :

- Cet électroménager doit être mis à la terre correctement. Voir « Mise à la terre du réfrigérateur » à la page 5.
- Utilisez cet électroménager uniquement aux fins auxquelles il est destiné.
- Réparez ou remplacez immédiatement les cordons électriques effilochés ou endommagés.
- Débranchez le réfrigérateur avant de le nettoyer ou de le réparer.
- Les réparations doivent être effectuées par un technicien qualifié.
- Pour réduire le risque d'étouffement pendant l'installation de ce produit, ne laissez pas les petites pièces à la portée des enfants âgés de moins de 3 ans.

⚠ ATTENTION

Étant donné le poids et la taille de ce réfrigérateur, **DEUX PERSONNES DOIVENT PARTICIPER À L'INSTALLATION** afin de réduire le risque de blessure corporelle et de dommage au produit.

⚠ AVERTISSEMENT



RISQUE D'INCENDIE OU D'EXPLOSION

Conservez les matériaux et les vapeurs inflammables à l'écart du réfrigérateur. Une explosion, un incendie voire la mort pourrait en résulter.

Consignes de sécurité

Lisez l'étiquette signalétique pour connaître le type de réfrigérant. S'il s'agit du R600a, observez les consignes de l'avertissement ci-dessous

⚠ AVERTISSEMENT



RISQUE D'INCENDIE OU D'EXPLOSION Réfrigérant inflammable

Cet appareil contient un gaz réfrigérant avec isobutane aussi connu sous R600a, un gaz naturel à compatibilité élevée avec l'environnement. Il s'agit cependant d'un combustible. Observez les consignes de sécurité ci-dessous afin de réduire le risque de blessure ou de dommage à la propriété.

1. Lors de la manipulation, de l'installation et de l'utilisation de cet appareil, prenez soin de ne pas endommager la tubulure du réfrigérant.
2. L'entretien ou la réparation doivent être effectués par un personnel de service autorisé. Utilisez seulement des pièces de rechange autorisées par le fabricant.
3. Mettez le réfrigérateur au rebut conformément aux réglementations fédérales et locales. Le gaz réfrigérant inflammable et les matériaux d'isolation utilisés dans ce produit requièrent des procédures de mise au rebut spéciales. Communiquez avec les autorités locales compétentes pour la mise au rebut de votre réfrigérateur sans danger pour l'environnement.
4. N'obstruez pas les orifices de ventilation dans les enceintes ou la structure d'encastrement de l'appareil.
5. Pour enlever le givre, grattez à l'aide d'un grattoir ou d'une spatule en plastique ou en bois. N'utilisez pas de pic à glace ou un instrument métallique à bord tranchant pour éviter de perforer la cuve interne du congélateur et la tubulure du gaz réfrigérant derrière cette dernière.
6. N'utilisez pas d'appareils électriques dans le compartiment de rangement des aliments de cet appareil.
7. N'utilisez aucun appareil électrique pour dégivrer votre congélateur.

⚠ AVERTISSEMENT



RISQUE DE BASCULEMENT

Si une ferrure anti-basculement est incluse avec votre réfrigérateur, installez-la pour empêcher le réfrigérateur de basculer vers l'avant, ce qui pourrait occasionner des blessures graves ou mortelles. Veuillez lire et observer l'intégralité des instructions d'installation pour installer la ferrure anti-basculement emballée avec votre réfrigérateur.

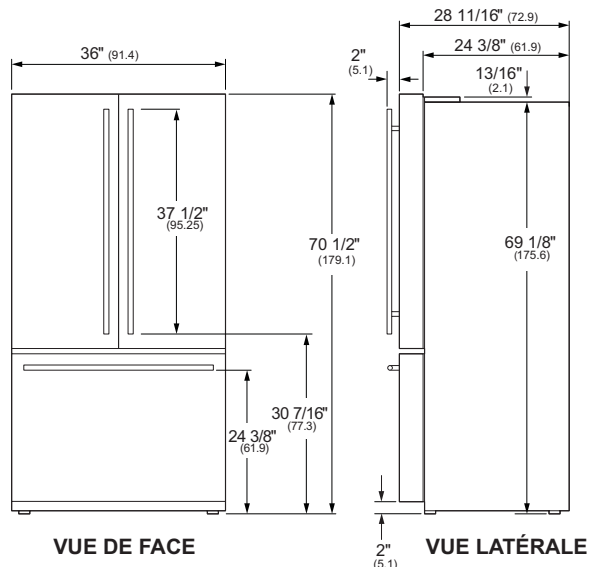
⚠ AVERTISSEMENT

Pour réduire le risque d'étouffement pendant l'installation de ce produit, ne pas laisser les petites pièces à la portée des enfants âgés de moins de 3 ans.

Planification

Le produit est livré sans poignées. Les poignées conçues pour ce modèle sont disponibles dans les trousse d'accessoires ZKLB3H3CTSS et ZKLB3H3PTSS. Les dimensions sont indiquées ci-dessous pour chaque trousse de style de poignée.

DIMENSIONS ET ESPACES DU PRODUIT, MODÈLE ZWE23N AVEC TROUSSE DE POIGNÉE DE PORTE MINIMALISTE ZKLB3H3CTSS



SPÉCIFICATIONS

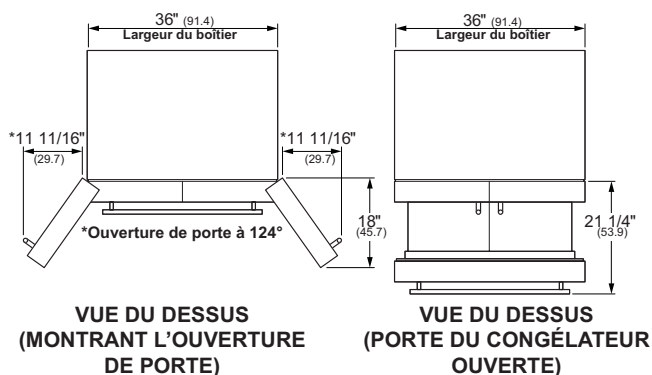
Largeur hors tout	36" (91,4 cm)
Hauteur hors tout	70 1/2" (179,1 cm)
Profondeur hors tout	30 11/16" (77,9 cm)
Dégagement de porte	21 1/4" (54 cm)
Largeur de l'ouverture découpée	36 1/4" (92,1 cm)
Hauteur de l'ouverture découpée	71" (180,3 cm)
Profondeur de l'ouverture découpée	26 3/8" (67 cm)
Matériel de plomberie	Tuyau de cuivre de 1/4 po D.E. ou trousse SmartConnect
Poids à l'expédition	400 lb (181,4 kg)

À L'ATTENTION DE L'ÉLECTRICIEN:

Une alimentation électrique de 115 volts, 60 Hz et de 15 à 20 ampères est requise. Nous recommandons l'utilisation d'un circuit de dérivation individuel correctement mis à la terre ou d'un disjoncteur. Installez un boîtier électrique à 3 fiches correctement branché à la terre et encastré dans le mur du fond.

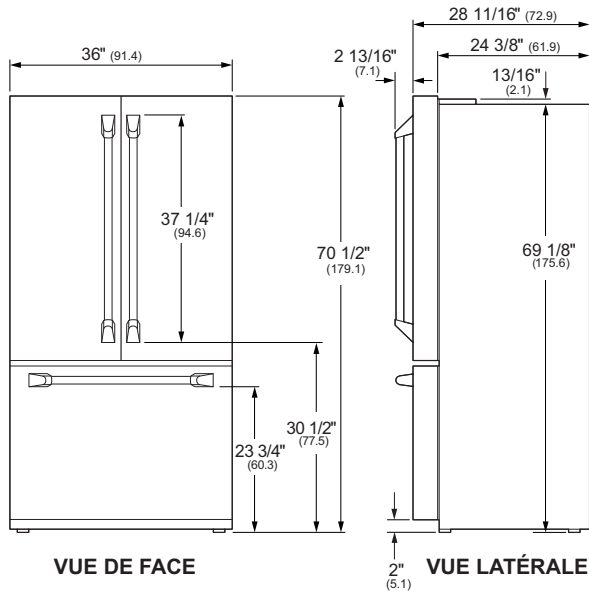
Dégagements pour la circulation d'air :

- 1/8 po (0,32 cm) de chaque côté
- 2 po (5,08 cm) à la face arrière
- 1 po (2,54 cm) 1 po au dessus (armoire/couvercle de charnière)



Planification

DIMENSIONS ET ESPACES DU PRODUIT, MODÈLE ZWE23N AVEC TROUSSE DE POIGNÉE DE PORTE MINIMALISTE ZKLB3H3PTSS

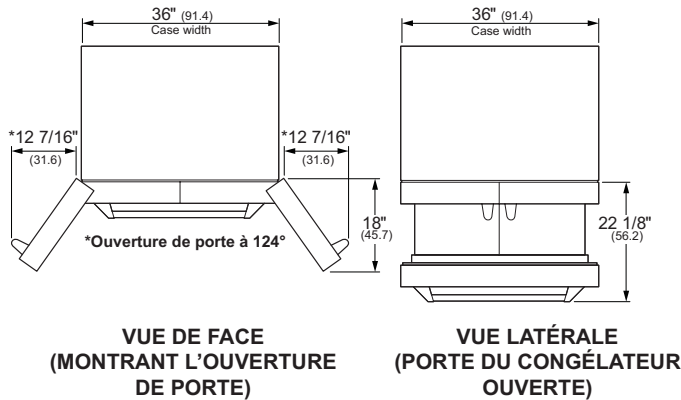


SPÉCIFICATIONS

Largeur hors tout	36" (91,4 cm)
Hauteur hors tout	70 1/2" (179,1 cm)
Profondeur hors tout	31 1/2" (80 cm)
Dégagement de porte	22 1/8" (56,2 cm)
Largeur de l'ouverture découpée	36 1/4" (92,1 cm)
Hauteur de l'ouverture découpée	71" (180,3 cm)
Profondeur de l'ouverture découpée	26 3/8" (67 cm)
Matériel de plomberie	Tuyau de cuivre de 1/4 po D.E. ou trousse SmartConnect
Poids à l'expédition	400 lb (181,4 kg)

Dégagements pour la circulation d'air :

- 1/8 po (0,32 cm) de chaque côté
- 2 po (5,08 cm) à la face arrière
- 1 po (2,54 cm) 1 po au dessus (armoire/couvercle de charnière)



Instructions d'installation

OUTILS REQUIS

- Clé à molette
- Tournevis à cliquet de 3/8 po
- Clé à douille 8 mm
- Tournevis PSD#2
- Clé à douille hexagonale 7 mm
- Tournevis à tête cruciforme
- Tournevis à lame plate
- Clés hexagonales de 5/32, 3/32, 1/8 et 1/4 po
- Mèche de 1/8 po et perceuse manuelle ou électrique
- Ruban à mesurer
- Crayon
- Coupe-fils
- Tournevis à douille ¼ po
- Niveau
- Tournevis Torx T20, T25

ÉQUIPEMENT REQUIS

- Un écrou à compression d'un diamètre extérieur de 1/4 po et 2 bagues (manchons) OU trousse de tuyau SmartConnect™ pour réfrigérateur.

EMPLACEMENT DU RÉFRIGÉRATEUR

- N'installez pas le réfrigérateur dans un endroit où la température peut descendre sous 13 °C (55 °F). Ceci empêchera le réfrigérateur de fonctionner suffisamment pour maintenir les températures adéquates.
- N'installez pas le réfrigérateur dans un endroit où la température peut être supérieure à 37 °C (100 °F).
- N'installez pas le réfrigérateur dans un endroit exposé à l'eau (pluie, etc.) ou directement aux rayons de soleil.
- Installez sur un plancher suffisamment robuste pour supporter le réfrigérateur une fois plein.

AVERTISSEMENT



RISQUE DE CHOC ÉLECTRIQUE

Branchez l'appareil dans une prise triple avec terre.
Ne retirez pas la broche de terre.
N'utilisez pas d'adaptateur.

N'utilisez pas un cordon de rallonge.
Le non-respect de ces instructions peut entraîner des risques d'incendies, des chocs électriques ou la mort.

Ne coupez pas ou n'enlevez pas, sous aucun prétexte, la troisième broche de mise à la terre du cordon d'alimentation. Pour des raisons de sécurité, cet appareil doit être correctement mis à la terre.

Le cordon d'alimentation de cet appareil est équipé d'une fiche à trois broches (pour une mise à la terre) qui s'adapte à la prise de courant standard à 3 broches (pour une mise à la terre) pour minimiser les risques de chocs électriques par cet appareil.

Faites vérifier la prise murale et le circuit électrique par un électricien qualifié pour s'assurer que le système est correctement mis à la terre.

Dans le cas d'une prise biphasée, l'installateur a la responsabilité et l'obligation de la remplacer par une prise triphasée correctement mise à la terre. N'utilisez pas d'adaptateur.

Le réfrigérateur doit toujours être branché à sa propre prise électrique d'une tension nominale correspondant à celle indiquée sur sa plaque signalétique.

Une alimentation électrique à 115 volts CA, 60 Hz, avec un fusible de 15 ou 20 ampères et une mise à la terre est nécessaire. Ceci permet d'obtenir un meilleur rendement et évite de surcharger les circuits électriques du domicile qui risque d'occasionner un incendie en surchauffant.

Ne débranchez jamais le réfrigérateur en tirant sur le cordon d'alimentation. Prenez toujours fermement la fiche en main et tirez pour la sortir de la prise.

Réparez ou remplacez immédiatement tout cordon électrique usé ou endommagé. N'utilisez pas un cordon fissuré ou présentant des dommages dus aux frottements soit sur sa longueur ou aux extrémités.

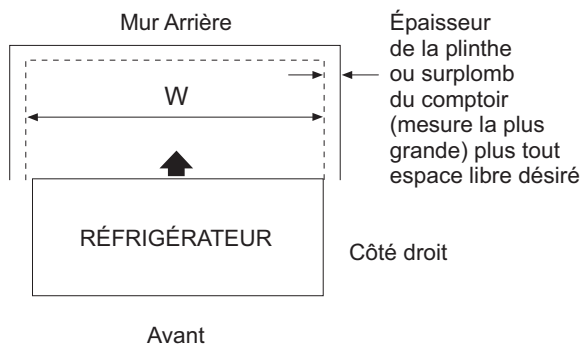
Lorsque vous éloignez votre réfrigérateur du mur, faites attention à ne pas le faire rouler sur le cordon d'alimentation afin de ne pas l'endommager.

Instructions d'installation

ÉTAPE 1 MESURE DE L'OUVERTURE DISPONIBLE COMPARÉE À LA LARGEUR DU RÉFRIGÉRATEUR

Mesurez W, la largeur de l'ouverture dans laquelle vous voulez mettre votre réfrigérateur.

Assurez-vous de tenir compte de tout surplomb du comptoir, de l'épaisseur de la plinthe et de tout espace libre désiré. La largeur W doit être supérieure à 36 pouces. Le réfrigérateur doit être approximativement placé au milieu de cette ouverture.



SÉTAPE 2 PRÉPARATION DU RÉFRIGÉRATEUR AVANT DE L'AMENER À L'INTÉRIEUR

IMPORTANT: Les portes et les passages qui mènent à l'emplacement d'installation doivent avoir une largeur d'au moins 80 cm (31 1/2 po). Si l'ouverture est inférieure à 80 cm (31 1/2 po), il est nécessaire de retirer le couvercle supérieur, les portes et les tiroirs. (Voir étapes 4 à 6)

REMARQUE : Sautez les étapes 4 et 5 s'il n'est pas nécessaire de retirer la porte. Passez à la page 9 « Déplacement du réfrigérateur ».

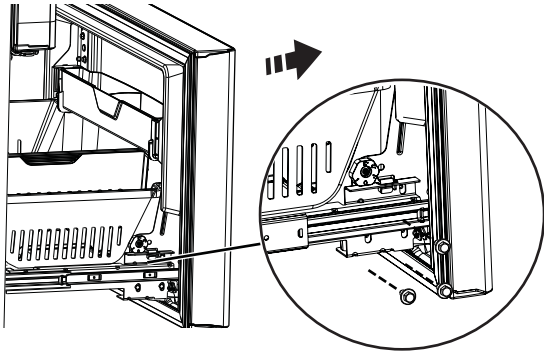
REMARQUE : Afin de prévenir les dommages, laissez l'emballage intérieur, l'espaceur de porte et la pellicule protectrice extérieure en place jusqu'à ce que l'appareil soit déplacée au lieu d'installation.

Instructions d'installation

ÉTAPE 3 RETRAIT DU TIROIR DE CONGÉLATION

Si nécessaire, il est possible de retirer le tiroir de congélation pour passer dans espaces étroits. Lisez ces instructions attentivement et en totalité.

- A. Tirez la porte du congélateur à son extension maximale.
- B. Retirez les 3 vis de fixation, situées au bas de chaque côté de la porte du congélateur en utilisant le tournevis à douille hexagonale de 8mm.



ATTENTION Avertissement de porte lourde.

La porte du compartiment congélateur est lourde. Utilisez les deux mains pour stabiliser la porte avant de la soulever.

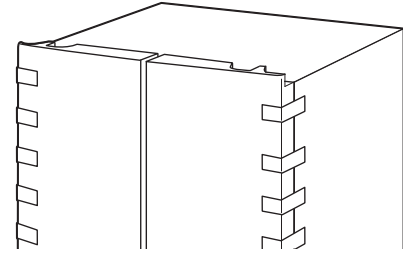
- C. Soulevez la porte du congélateur pour la dégager des glissières. La porte peut reposer en toute sécurité sur sa base. Ne posez pas la porte sur toute autre surface pour éviter les rayures. Repoussez complètement le mécanisme à glissières jusqu'à ce qu'il se rétracte automatiquement.

ÉTAPE 4 RETRAIT DES PORTES DU RÉFRIGÉRATEUR

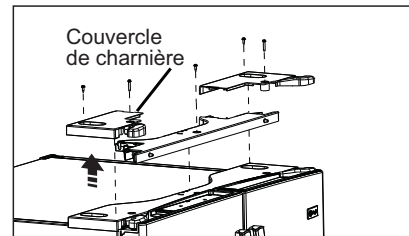
AVERTISSEMENT

Suivez toutes les étapes pour enlever et réinstaller la porte. La porte risque de tomber en plus de causer des blessures ou des dommages si vous ne respectez pas ces instructions, oubliez des pièces ou effectuez un serrage excessif des vis.

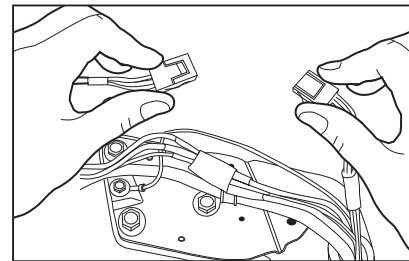
- A. Maintenez la porte bien fermée à l'aide de ruban-cache ou demandez à une deuxième personne de maintenir la porte.



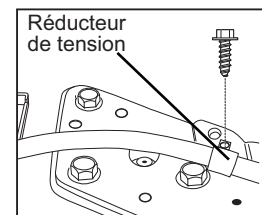
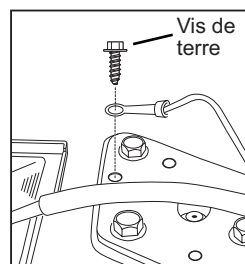
- B. Commencez d'abord par la porte de gauche : Retirez le couvercle de charnière gauche dans le haut de la porte du réfrigérateur en retirant toutes les vis hexagonales 7 mm puis tirez le couvercle vers le haut. Faites de même pour la porte de droite et le couvercle central.



- C. Débranchez les deux connecteurs électriques au niveau du couvercle supérieur.



Retirez la vis à tête hexagonale de 1/4 po pour débrancher le fil de masse de la charnière. Retirez la vis à tête hexagonale de 1/4 po pour débrancher le réducteur de tension du tuyau d'alimentation d'eau.

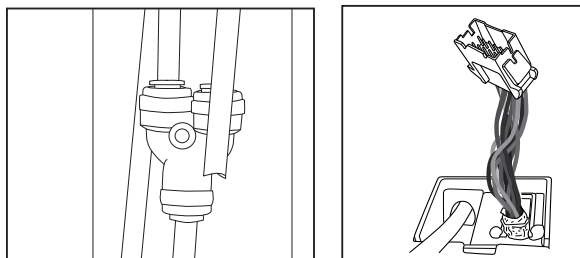


Instructions d'installation

ÉTAPE 4 RETRAIT DES PORTES DU RÉFRIGÉRATEUR (SUITE)

D. Débranchez l'alimentation d'eau à l'arrière de l'appareil en appuyant sur le collier gris foncé tout en tirant le tuyau d'alimentation d'eau vers le haut.

Tirez le tuyau d'alimentation d'eau à travers le conduit de la carrosserie pour libérer le tuyau avant de retirer la porte. Le tuyau d'alimentation d'eau mesure plus de 4 pieds et il se peut qu'il doive être fixé à la porte avec du ruban adhésif pour faciliter l'accès lors de la réinstallation de la porte.



E. À l'aide d'un tournevis à douille de 8mm, retirez les vis de fixation de la charnière supérieure à la carrosserie du réfrigérateur, puis soulevez la charnière vers le haut pour dégager l'axe de charnière de son emplacement dans le haut de la porte.

ATTENTION Avertissement de porte lourde.

Le soulèvement de la porte par une seule personne peut présenter un risque de blessure. Obtenir de l'assistance lors de la manipulation, du déplacement ou du soulèvement des portes du réfrigérateur.

REMARQUE : Placez soigneusement la porte dans un endroit approprié lorsque vous la retirez pour éviter de l'endommager ainsi que ses composants électroniques.

REMARQUE : La charnière inférieure et son axe sont numérotés. Ils doivent donc être associés pour que la porte se ferme correctement de façon automatique. Veuillez suivre les instructions scrupuleusement.

ÉTAPE 4 RETRAIT DES PORTES DU RÉFRIGÉRATEUR (SUITE)

REMARQUE : Pour que l'installation se fasse correctement plus tard, veuillez suivre attentivement la prochaine étape.

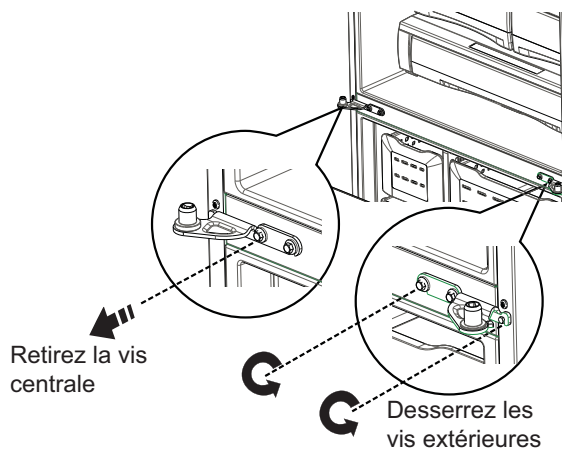
F. Les portes du compartiment de réfrigération doivent être **RETIRÉES** et **INSTALLÉES** en position ouverte à 90° par rapport à la façade du réfrigérateur.

RETRAIT DE LA PORTE OPPOSÉE

Suivez la même procédure pour la porte du côté opposé. Il n'y a pas de câbles ni de tuyau d'alimentation d'eau sur la porte du côté opposé.

G. RETRAIT DE LA CHARNIÈRE CENTRALE (si nécessaire)

Retirez les vis hexagonales 8mm intérieures plus larges qui fixent la charnière centrale sur la carrosserie. Utilisez un tournevis TorxT25 / hexagonal 1/4 po / PSD#2 pour retirer la vis extérieure.



ÉTAPE 5 DÉPLACEMENT DU RÉFRIGÉRATEUR

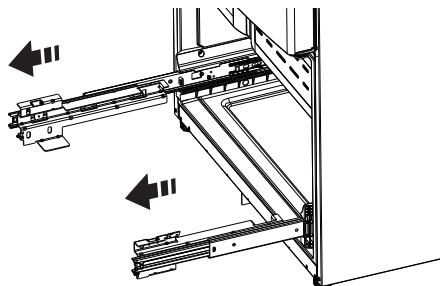
- Placez un morceau de carton ou un chiffon doux sur la paroi latérale du réfrigérateur pour protéger la finition en acier inoxydable.
- Placez le réfrigérateur sur le diable en appuyant un seul des côtés contre le diable.
- Déplacez le réfrigérateur à l'intérieur. Posez le réfrigérateur à proximité de l'endroit où vous souhaitez l'installer.

Instructions d'installation

ÉTAPE 6 REMISE EN PLACE DU TIROIR DE CONGÉLATION

INSÉREZ ET FIXEZ L'AVANT DU TIROIR AUX GLISSIÈRES

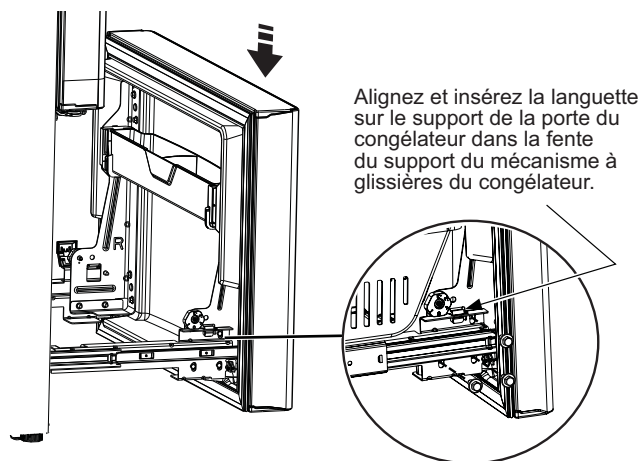
- A. Tirez simultanément avec les deux mains sur le mécanisme à glissières jusqu'à extension complète.
- B. Retirez le panier qui repose sur les glissières.



ATTENTION Avertissement de porte lourde.

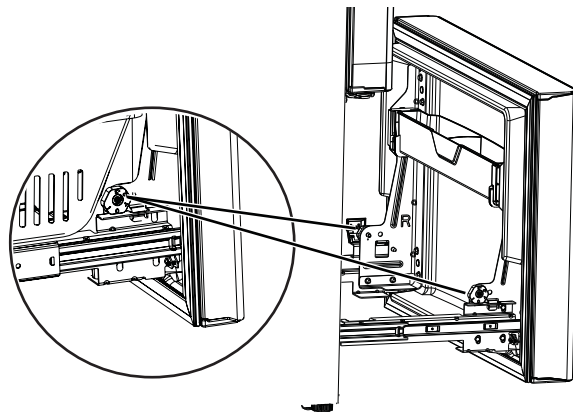
La porte du compartiment congélateur est lourde. Utilisez les deux mains pour stabiliser la porte avant de la soulever.

- C. Soulevez la porte du congélateur et placez-la sur le mécanisme à glissières.
- D. Remettez les vis de fixation en place et serrez-les au couple de 65 po-lb (7,34 N-m).
- E. Si nécessaire, réglez l'écart de la porte du congélateur.

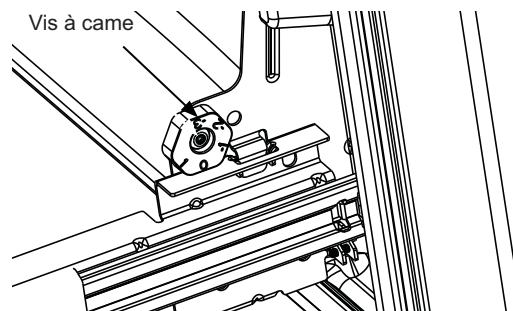


ÉTAPE 7 NIVELLEMENT DU TIROIR DE CONGÉLATION

- A. Localisez la came de réglage de la hauteur dans la porte du congélateur. Desserrez légèrement les trois vis de fixation de la porte sur les deux glissières à l'aide d'un tournevis à douille hexagonale 8 mm.



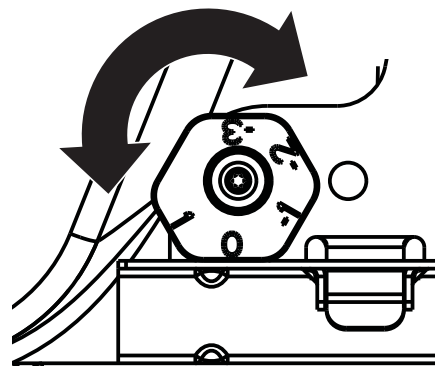
- B. Localisez et desserrez la vis à came en utilisant le tournevis à douille 8 mm.



- C. Soulevez la porte sur le côté qui nécessite un réglage, faites tourner la came jusqu'à la position requise.

- 0 - Position initiale
- 1 - Lever de 0,050 po (0,127 cm)
- 1 - Abaisser de 0,050 po (0,127 cm)
- 2 - Abaisser de 0,100 po (0,254 cm)
- 3 - Abaisser de 0,150 po (0,381 cm)

- D. Une fois le réglage terminé, resserrez les 3 vis de fixation jusqu'au couple de 65 po-lb (7,34 N-m).

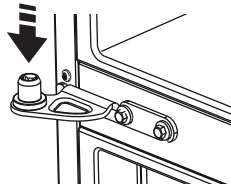


Instructions d'installation

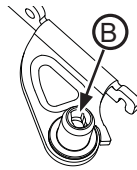
ÉTAPE 8 REMISE EN PLACE DES PORTES DU RÉFRIGÉRATEUR

Inverser en sens inverse, étapes 4 à 1, pour réinstaller les portes du réfrigérateur. Suivez les instructions suivantes pour les alignements critiques.

A. Réinstallez d'abord la charnière centrale et serrez les vis hexagonales 8 mm intérieures plus larges au couple de 65 lb-po (7,34 N m). On peut obtenir ces couples de serrage en tournant la vis de 1/3 de tour une fois qu'elle est à égalité avec la surface correspondante.

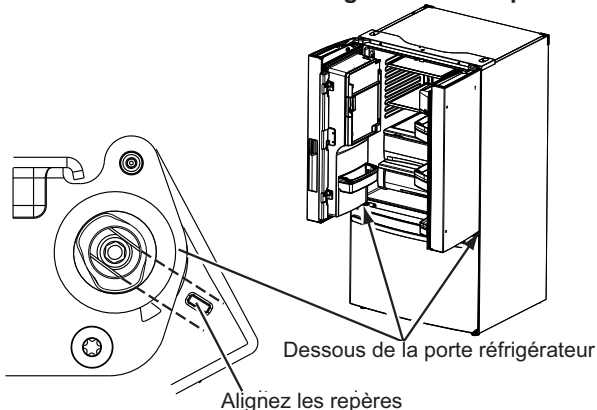


B. Si la charnière sur votre réfrigérateur comporte une fente semblable à l'illustration B à droite, suivez les étapes ci-dessous. Autrement, sautez l'étape C.



Avec la porte gauche à 90° + de l'avant de la carrosserie, abaissez la porte du réfrigérateur. Assurez-vous que la porte et la charnière s'alignent correctement. Fermez la porte et assurez-vous que la zone d'étanchéité centrale amovible de la porte s'aligne sur la butée. S'il est impossible d'installer la porte à 90°, suivez les étapes suivantes. Installez la porte à 90° du devant de carrosserie. Si l'espace ou le modèle limitent l'ouverture de porte à moins de 180°, retirez la porte et retournez-la avec précaution à l'envers. Vérifiez l'alignement de la porte. Il existe une marque d'alignement sur le mécanisme de fermeture de porte qui correspond à une marque d'alignement sur le capuchon d'extrémité inférieur. Faites pivoter le mécanisme de fermeture de porte pour aligner la marque et la flèche.

C. Si la charnière sur votre réfrigérateur n'est pas munie



d'une fente et qu'elle ressemble à l'image C à droite, alors abaissez simplement le trou extérieur de la porte sur l'axe de charnière.

D. Fixez fermement la porte en position fermée avec du ruban cache ou demandez à une autre personne de supporter la porte.

E. Suivez la même procédure pour installer la porte opposée. La porte opposée ne comporte pas de fils, de tuyaux d'eau ni de couvercles de charnière centrale.

ÉTAPE 8 REMISE EN PLACE DES PORTES DU RÉFRIGÉRATEUR (suite)

F. Assurez-vous de réinstaller le fil de terre et le détendeur sur la charnière supérieure.

G. Réinstallez le couvercle de charnière. **REMARQUE :** Assurez-vous que les fils ne sont pas pincés ni qu'ils se trouvent en-dessous des blocs de fixation avant de serrer les vis.

ÉTAPE 9 INSTALLATION DU TUYAU D'ALIMENTATION D'EAU

Nous recommandons les trousse d'alimentation d'eau en cuivre WX8X2, WX8X3, WX8X4, selon la longueur de tuyau dont vous avez besoin. Nous approuvons les conduites d'eau en plastique SmartConnect™ (WX08X10006, WX08X10015 et WX08X10025).

Si vous connectez un système d'eau à osmose inverse à votre réfrigérateur, la trousse GE Appliances RVKIT est la seule installation approuvée. Pour les autres systèmes à osmose inverse, suivez les recommandations du fabricant.

Si l'alimentation d'eau du réfrigérateur provient d'un système de filtration de l'eau par osmose inverse (OI) ET si votre réfrigérateur est équipé d'un filtre à eau, utilisez le bouchon de dérivation du filtre du réfrigérateur. L'utilisation de la cartouche de filtration d'eau du réfrigérateur conjointement avec un filtre à OI peut produire des glaçons creux. Certains modèles ne sont pas équipés d'un bouchon de dérivation de filtre. Pour en obtenir un gratuitement, composez le 800-GECARES. Au Canada, composez le 888.880.3030.

L'installation de cette conduite d'eau n'est pas garantie par le fabricant du réfrigérateur ou de la machine à glaçons. Suivez attentivement ces instructions afin de minimiser le risque de dégâts par l'eau coûteux.

Les coups de bélier (coups dans les tuyaux) dans la tuyauterie de la maison peuvent endommager les pièces de votre réfrigérateur et provoquer des fuites d'eau ou des inondations. Appelez un plombier certifié pour corriger les coups de bélier avant de brancher l'alimentation d'eau au réfrigérateur.

Pour prévenir les brûlures et éviter d'endommager votre produit, ne branchez pas le tuyau d'eau à une conduite d'eau chaude.

N'installez pas la tuyauterie de la machine à glaçons dans un endroit où la température descend en dessous du point de congélation.

Lorsque vous utilisez un appareil électrique (tel qu'une perceuse) lors de l'installation, assurez-vous que celui-ci est à double isolation ou relié à la terre pour prévenir tout risque de choc électrique. L'outil peut également être alimenté par batterie.

Toutes les installations doivent être conformes aux exigences du code de plomberie local.

• Tuyaux en cuivre ou trousse de tuyauterie pour réfrigérateur GE SmartConnect™, diamètre extérieur de 1/4 po pour brancher le réfrigérateur à l'alimentation d'eau. Si vous utilisez un tuyau en cuivre, les deux extrémités du tuyau doivent être coupées bien droit.

Instructions d'installation

INSTALLATION DU RÉFRIGÉRATEUR (suite) Installation du support anti-basculement par fixation au sol (le cas échéant)

⚠ AVERTISSEMENT



Risque de

basculement

Si une ferrure antibasculement est incluse avec votre réfrigérateur, installez-la pour empêcher le réfrigérateur de basculer vers l'avant, ce qui pourrait occasionner des blessures graves ou mortelles. Veuillez lire et observer l'intégralité des instructions d'installation pour connecter cette ferrure à votre réfrigérateur.



REMARQUE :

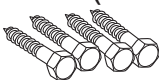
Si la ferrure anti-basculement incluse avec votre réfrigérateur est endommagée ou perdue, appelez le 1.800.626.8774 pour en recevoir un sans frais.

(Au Canada, appelez le 1.800.561.3344).

Pour les instructions d'installation du système consultez le site : GEAppliances.com. (Au Canada, electromenagersge.ca)

MATÉRIEL DONT VOUS POUVEZ AVOIR BESOIN (non inclus)

Tire-fond ¼ po (6 mm) x 1 ½ po (38 mm)



Manchons d'ancrage ½ po (12 mm) de diamètre externe



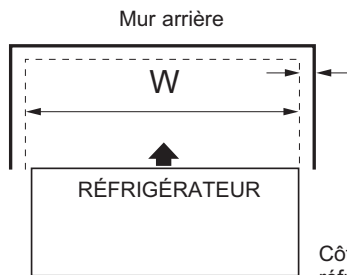
Mèche adaptée aux ancrages

Uniquement pour les systèmes anti-basculement par fixation au sol en BÉTON

AT-1 MESURE DE L'OUVERTURE DISPONIBLE COMPARÉE À LA LARGEUR DU RÉFRIGÉRATEUR

Mesurez W, la largeur de l'ouverture dans laquelle vous voulez mettre votre réfrigérateur.

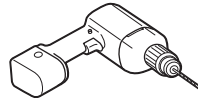
Assurez-vous de tenir compte de tout surplomb du comptoir, de l'épaisseur de la plinthe et de tout espace libre désiré. La largeur W doit être supérieure à 36 pouces. Vous devez placer le réfrigérateur approximativement au milieu de cette ouverture.a



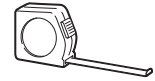
Épaisseur de la plinthe ou surplomb du comptoir (la mesure la plus grande) plus tout espace libre désiré

Côté droit du réfrigérateur

OUTILLAGE NÉCESSAIRE



Mèche de 1/8 po (3 mm) et Perceuse manuelle ou électrique



Mètre



Crayon

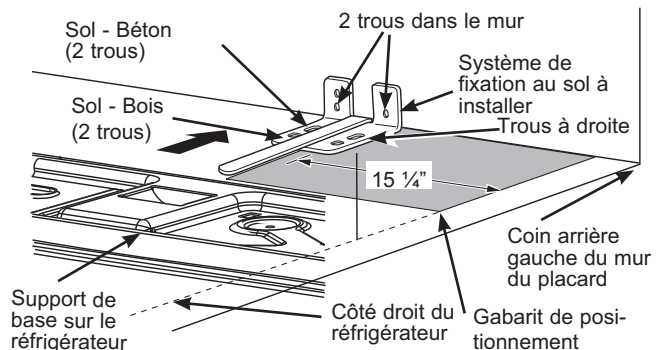


Tournevis à douille 5/16 po (8 mm)

AT-2 POSITIONNEMENT DU SYSTÈME ANTI-BASCULEMENT PAR FIXATION AU SOL

- A** Placez le gabarit de positionnement du système anti-basculement par fixation au sol (fourni dans la trousse anti-basculement) sur le sol contre le mur arrière, à l'intérieur de W, et en ligne avec l'emplacement souhaité pour le côté droit du réfrigérateur (voir figure 1).a

Figure 1 – – Vue d'ensemble de l'installation



- B** Placez le système anti-basculement par fixation au sol sur le gabarit de positionnement avec ses trous au sol de droite alignés aux trous au sol indiqués sur le gabarit, à approximativement 38,73 cm (15,25 po) du bord du gabarit ou du côté droit du réfrigérateur.
- C** Maintenez en position et utilisez le système anti-basculement par fixation au sol comme gabarit pour marquer les trous en vous basant sur votre configuration et la catégorie de construction indiquée dans l'étape 3. Marquez l'emplacement des trous avec un crayon, un clou ou un poinçon.

REMARQUE :

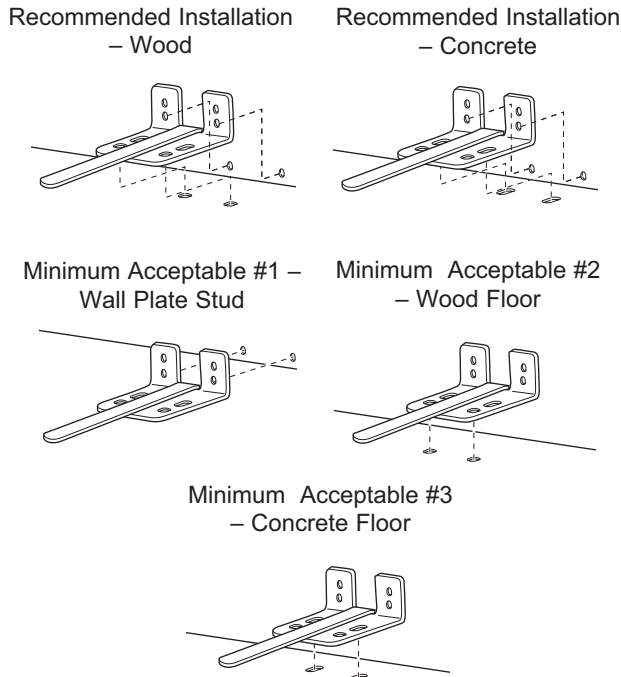
- Il est OBLIGATOIRE d'utiliser au moins 2 vis pour fixer le système de fixation au sol (un de chaque côté du système anti-basculement par fixation au sol). Les deux doivent entrer dans le mur ou dans le sol. La figure 2 indique toutes les configurations acceptables de montage pour ces vis. Identifiez les trous de vis sur le système anti-basculement par fixation au sol pour votre configuration.

Instructions d'installation

INSTALLATION DU RÉFRIGÉRATEUR (suite) Installation du support anti-basculement par fixation au sol (le cas échéant)

AT-2 LOCATING THE ANTI-TIP FLOOR BRACKET (cont.)

Figure 2 – Acceptable Screw Placement Locations



B CONCRETE Wall and Floor Construction:

- Anchors required (not provided):
4 each 1/4" (6 mm) x 1-1/2" (38 mm) lag bolts
4 each 1/2" (12 mm) O.D. sleeve anchors
- Drill the recommended size holes for the anchors into the concrete at the center of the holes marked in Step 2.
- Install the sleeve anchors into the drilled holes. Place the anti-tip floor bracket as indicated in Step 2. Remove the locator template from the floor.
- Install the lag bolts through the anti-tip floor bracket and tighten appropriately.

C WOOD Wall and TILE Floor Construction:

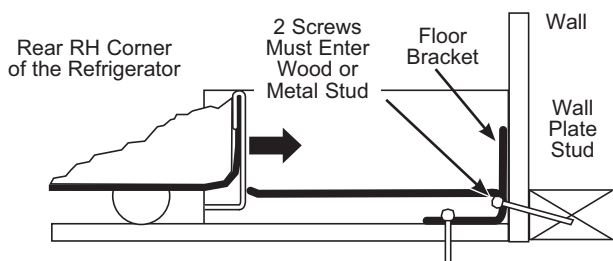
- For this special case, locate the 2 wall holes identified in Fig. 2. Drill an angled 1/8" (3 mm) pilot hole (approx. as shown in Fig. 3) in the center of each hole.
- Mount the anti-tip floor bracket using the Minimum Acceptable Installation #1, as illustrated in Fig. 2.

AT-3 ANTI-TIP BRACKET INSTALLATION

A WOOD Wall and Floor Construction:

- Drill the appropriate number of 1/8" (3 mm) pilot holes in the center of each floor bracket hole being used (a nail or awl may be used if a drill is not available) AND remove the locator template from the floor.
- Mount the anti-tip floor bracket by fastening the 2, or recommended 4, #10-16 hex-head screws tightly into place as illustrated in Figure 3.

Figure 3 – Attachment to Wall and Floor



AT-4 POSITIONING THE REFRIGERATOR TO ENGAGE THE ANTI-TIP FLOOR AND BASE BRACKETS

- A Before pushing the refrigerator into the opening, plug the power cord into the receptacle and connect waterline (if equipped). Check for leaks.
- B Locate the refrigerator's RH side and move back approximately in line with the RH side of the cabinet opening, W. This should position the anti-tip floor bracket to engage the anti-tip base bracket on the refrigerator.
- C Gently roll the refrigerator back into the cabinet opening until it comes to a complete stop. Check to see if the refrigerator front lines up with the cabinet front face. If not, carefully rock the refrigerator forward and backward until engagement occurs and you notice that the refrigerator is fully pushed up against the rear wall.
- D **If Applicable:** Adjust the rear (and front) wheel height settings to fully engage the rear anti-tip brackets, while also aligning the refrigerator front with the cabinet front face.

NOTE: If you pull the refrigerator out and away from the wall for any reason, make sure the anti-tip floor bracket is engaged when the refrigerator is pushed back against the rear wall.

Instructions d'installation

ÉTAPE 9 INSTALLATION DU TUYAU D'ALIMENTATION D'EAU

Nous recommandons les trousse d'alimentation d'eau en cuivre WX8X2, WX8X3, WX8X4, selon la longueur de tuyau dont vous avez besoin. Nous approuvons les conduites d'eau en plastique SmartConnect™ (WX08X10006, WX08X10015 et WX08X10025).

Si vous connectez un système d'eau à osmose inverse à votre réfrigérateur, la trousse GE Appliances RVKIT est la seule installation approuvée. Pour les autres systèmes à osmose inverse, suivez les recommandations du fabricant.

Si l'alimentation d'eau du réfrigérateur provient d'un système de filtration de l'eau par osmose inverse (OI) ET si votre réfrigérateur est équipé d'un filtre à eau, utilisez le bouchon de dérivation du filtre du réfrigérateur. L'utilisation de la cartouche de filtration d'eau du réfrigérateur conjointement avec un filtre à OI peut produire des glaçons creux. Certains modèles ne sont pas équipés d'un bouchon de dérivation de filtre. Pour en obtenir un gratuitement, composez le 800-GEARES. Au Canada, composez le 888.880.3030.

L'installation de cette conduite d'eau n'est pas garantie par le fabricant du réfrigérateur ou de la machine à glaçons. Suivez attentivement ces instructions afin de minimiser le risque de dégâts par l'eau coûteux.

Les coups de bélier (coups dans les tuyaux) dans la tuyauterie de la maison peuvent endommager les pièces de votre réfrigérateur et provoquer des fuites d'eau ou des inondations. Appelez un plombier certifié pour corriger les coups de bélier avant de brancher l'alimentation d'eau au réfrigérateur.

Pour prévenir les brûlures et éviter d'endommager votre produit, ne branchez pas le tuyau d'eau à une conduite d'eau chaude.

N'installez pas la tuyauterie de la machine à glaçons dans un endroit où la température descend en dessous du point de congélation.

Lorsque vous utilisez un appareil électrique (tel qu'une perceuse) lors de l'installation, assurez-vous que celui-ci est à double isolation ou relié à la terre pour prévenir tout risque de choc électrique. L'outil peut également être alimenté par batterie.

Toutes les installations doivent être conformes aux exigences du code de plomberie local.

- Tuyaux en cuivre ou trousse de tuyauterie pour réfrigérateur GE SmartConnect™, diamètre extérieur de ¼ po pour brancher le réfrigérateur à l'alimentation d'eau. Si vous utilisez un tuyau en cuivre, les deux extrémités du tuyau doivent être coupées bien droit.

ÉTAPE 9 INSTALLATION DU TUYAU D'ALIMENTATION D'EAU (suite)

Pour déterminer la longueur de tuyau dont vous avez besoin, mesurez la distance entre le robinet d'eau à l'arrière du réfrigérateur et le tuyau d'alimentation d'eau. Assurez-vous d'avoir une longueur de tuyau suffisante pour permettre d'éloigner le réfrigérateur du mur après l'installation.

Les trousse de tuyauterie pour réfrigérateur SmartConnect™ sont disponibles dans les longueurs suivantes :

6' (1,8 m) – WX08X10006

15' (4,6 m) – WX08X10015

25' (7,6 m) – WX08X10025

⚠ AVERTISSEMENT

Raccordez-vous à une alimentation en eau potable seulement.

Une alimentation en eau potable est requise pour le fonctionnement de la machine à glaçons. La pression d'eau doit se situer entre 40 et 120 psi (275 à 827 kilopascals).

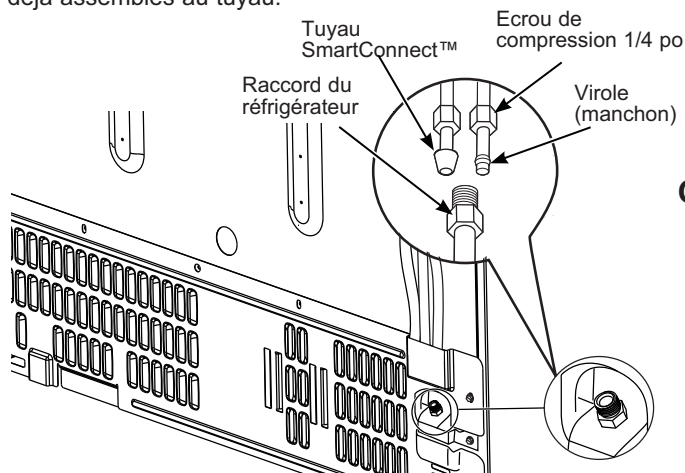
Instructions d'installation

ÉTAPE 10 BRANCHEMENT DE L'ALIMENTATION D'EAU

Une alimentation d'eau froide est requise pour faire fonctionner la machine à glaçons automatique. Vous devrez en installer une si elle n'existe pas. Consultez la section « Installation de l'alimentation d'eau ».

REMARQUES :

- Avant de raccorder la conduite d'eau au réfrigérateur, assurez-vous que le cordon d'alimentation électrique du réfrigérateur n'est pas branché à la prise murale.
 - Si votre réfrigérateur n'est pas équipé de filtre à eau, nous recommandons d'en monter un si votre alimentation d'eau contient du sable ou des particules qui peuvent boucher la grille du robinet d'eau du réfrigérateur. Installez-le dans la conduite d'alimentation d'eau froide près du réfrigérateur. Si vous utilisez une trousse de tuyau pour réfrigérateur SmartConnect™, vous aurez besoin d'un tuyau supplémentaire (WX08X10002) pour brancher le filtre. Ne coupez pas le tuyau en plastique pour installer le filtre.
 - Avant de raccorder la conduite d'eau au système de distribution d'eau de la maison, purgez ce système pendant au moins 2 minutes.
- A.** Si vous utilisez un tuyau de cuivre, placez un écrou de compression et une bague (manchon) à l'extrémité du tuyau qui vient de l'alimentation d'eau froide de la maison. Si vous utilisez le tuyau SmartConnect™, les écrous sont déjà assemblés au tuyau.



⚠ AVERTISSEMENT RISQUE DE DÉCHARGE ÉLECTRIQUE

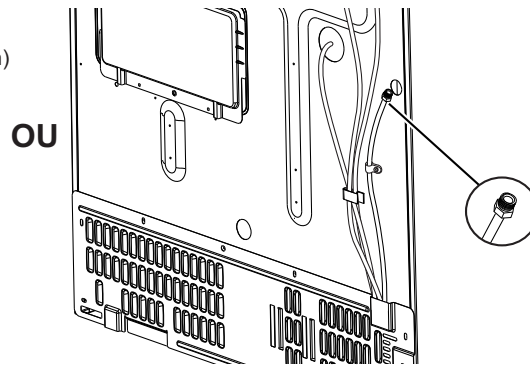
Fixez le collier de serrage dans le trou présent seulement. NE PERCEZ PAS dans le réfrigérateur.

- B.** Si vous utilisez un tuyau de cuivre, insérez aussi loin que possible l'extrémité du tuyau dans le raccord à l'arrière du réfrigérateur. Tout en tenant le tuyau, serrez le raccord.
- Si vous utilisez un tuyau SmartConnect™, insérez l'extrémité moulée du tuyau dans le raccord à l'arrière du réfrigérateur, puis serrez l'écrou à compression à la main.
- Serrez ensuite d'un autre tour à l'aide d'une clé. Serrez un tour supplémentaire avec une clé. Des fuites peuvent survenir si l'écrou est trop serré.
- C.** Fixez le tuyau dans le collier de serrage fourni pour le maintenir en position. Vous aurez peut-être besoin d'écarter la bride avec un outil.
- D.** Ouvrez le robinet d'eau pour vérifier l'absence de fuites.

⚠ AVERTISSEMENT

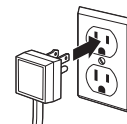
Raccordez-vous à une alimentation en eau potable seulement.

Une alimentation en eau potable est requise pour le fonctionnement de la machine à glaçons. La pression d'eau doit se situer entre 40 et 120 psi (275 à 827 kilopascals).



ÉTAPE 11 BRANCHEMENT DU RÉFRIGÉRATEUR

Veuillez lire les informations de mise à la terre fixées au cordon d'alimentation.



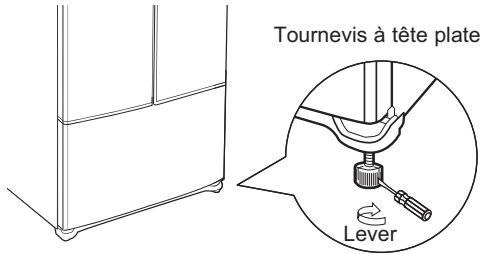
Instructions d'installation

ÉTAPE 12 NIVELLEMENT DU RÉFRIGÉRATEUR

Les pieds de nivellement ont deux fonctions :

- Ajuster le réfrigérateur pour que celui-ci soit correctement positionné sur le sol et ne vacille pas.
- Frein pour stabiliser le réfrigérateur pendant son utilisation et son nettoyage. Les pieds de nivellement permettent aussi d'empêcher le réfrigérateur de basculer.

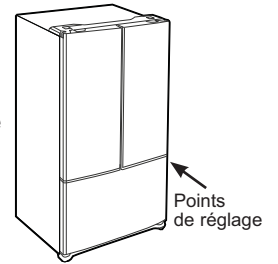
Tournez les pieds de nivellement dans le sens des aiguilles d'une montre pour relever le réfrigérateur et dans le sens inverse des aiguilles d'une montre pour l'abaisser.



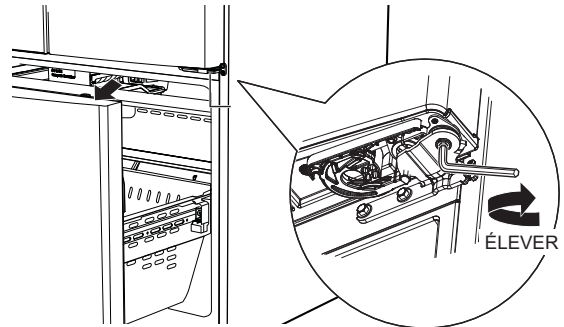
REMARQUE : Pour éviter tout dommage matériel, les pieds de nivellement doivent bien reposer sur le sol.

ÉTAPE 13 NIVELLEMENT DES PORTES

Rappelez-vous qu'il est nécessaire de niveler le réfrigérateur pour que les portes soient parfaitement de niveau. Si vous avez besoin d'aide, consultez la section précédente sur le nivellement du réfrigérateur.

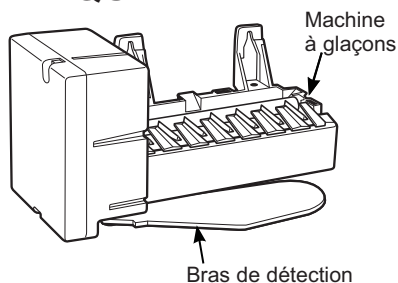


- A. Si vous ouvrez la porte du congélateur, vous verrez la charnière centrale.
- B. Insérez une clé Allen de ¼ po dans l'axe de la charnière centrale.
- C. Ajustez la hauteur en tournant dans le sens des aiguilles d'une montre ou dans le sens inverse. Lorsque vous tournez dans le sens inverse des aiguilles d'une montre, la porte se déplace vers le haut.



Instructions d'installation

ÉTAPE 14 MACHINE À GLAÇONS AUTOMATIQUE



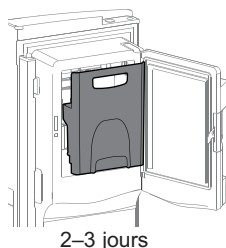
- Assurez-vous que la machine à glaçons est activée SEULEMENT APRÈS que la conduite d'eau est raccordée et que l'eau est sous tension.
- Réfrigérateurs nouvellement installés besoin de jusqu'à 24 heures pour refroidir et pour la production de glaçon commence.

ATTENTION Évitez le contact avec les pièces mobiles du mécanisme d'éjection et l'élément chauffant (situé dans le bas de la machine à glaçons) qui libère les cubes. Ne placez ni les doigts ni les mains sur le mécanisme de production de glace automatique lorsque le réfrigérateur est branché.

Utilisation normale

- Production normale de glaçon = 100 cubes dans un délai de 24 heures.

Pour remplir le seau à sa capacité maximale après l'installation, utilisez 3-4 cubes à 12 heures et 18 heures. Attendez 2-3 jours pour que le seau se remplisse complètement avec des glaçons.



L'apparence d'eau décolorée est normale pendant les 24 premières heures de production ou après le remplacement du filtre à eau. Après le démarrage de la machine à glaçons ou après le remplacement du filtre à eau, jetez le premier bac de production de glaçons pour éviter les odeurs et les problèmes de goût.

ÉTAPE 15 COMMANDES DE TEMPÉRATURE

- Les commandes de température sont réglées à 2,77°C (37 °F) pour le réfrigérateur et 0 °C pour le congélateur.
- Attendez 24 heures que la température se stabilise avant de faire les réglages.

ÉTAPE 16 PURGE DE LA CANALISATION D'EAU

Une fois l'appareil en marche, appuyez sur bouton du distributeur / palette et faites couler l'eau pendant au moins cinq (5) minutes pour évacuer l'air de la conduite d'eau et rincer le filtre. Les premiers lots de glaçons doivent être jetés. Pour les modèles sans distributeur, jetez le premier bac de production de glaçons.

ÉTAPE 17 INSTALLATION DES POIGNÉES DE PORTE

Ces modèles requièrent l'achat distinct de trousse de poignées de porte. Les instructions d'installation de chaque poignée sont livrées avec la trousse.

Notes

Notes

REMARQUE : Lors de l'exécution des installations décrites dans ce manuel, il est nécessaire de porter des lunettes de protection.

REMARQUE : Chez GE Appliances, l'amélioration des produits fait l'objet d'un effort soutenu. Par conséquent, les matières, l'aspect et les caractéristiques sont sujets à changement sans préavis.



INSTRUCCIONES DE INSTALACIÓN

**Refrigerador de Pie con Puerta Francesa
y Freezer Inferior**

ESPAÑOL

MONOGRAM.COM

Información sobre Seguridad

Para acceder al servicio local de Monogram en su área, visite monogram.com

Para acceder al servicio de Monogram en Canadá, visite monogram.ca

Para acceder a Piezas y Accesorios de Monogram, visite monogram.com/use-and-care/parts

CONTENIDOS

Información de Planificación

Dimensiones y Espacios Libres para el Producto..... 3

Instrucciones de Instalación

Herramientas, Hardware, Materiales 5

Conexión a Tierra del Refrigerador 5

Paso 1. Mida la Abertura del Gabinete..... 6

Paso 2. Instale el Refrigerador 6

Paso 3. Retire el Cajón del Freezer 7

Paso 4. Retire las Puertas de Comidas Frescas 7

Paso 5. Mueva el Refrigerador 8

Paso 6. Reemplace el Cajón del Freezer 9

Paso 7. Nivele el Cajón del Freezer 9

Paso 8. Reemplace las Puertas de Comidas Frescas 10

Paso 9. Instale el Suministro de Agua..... 10

Paso 10. Conecte el Suministro de Agua 11

Paso 11. Conecte la Corriente..... 11

Paso 12. Nivele el Refrigerador 12

Paso 13. Nivele las Puertas 12

Paso 14. Retire el Embalaje, Encienda

la Máquina de Hielos 13

Paso 15. Controles de Temperatura 13

Paso 16. Purga del Sistema de Agua..... 13

Paso 17. Instalación de Manijas 18

ANTES DE COMENZAR

Lea estas instrucciones en su totalidad y atentamente.

- **IMPORTANTE** – Conserve estas instrucciones para uso del inspector local.
- **Importante** – Cumpla con todos los códigos y ordenanzas gubernamentales.
- Nota para el Instalador – Asegúrese de que el Consumidor conserve estas instrucciones.
- Nota para el Comprador – Conserve estas instrucciones para referencia futura.
- Nivel de habilidad – La instalación de este electrodoméstico requiere un nivel básico de habilidades mecánicas.

- Tiempo de Instalación – Instalación del Refrigerador en 30 min.
- Instalación del Suministro de Agua en 30 min.
- La correcta instalación del producto es responsabilidad del instalador.
- Si se producen fallas en el producto debido a una instalación inadecuada, la Garantía no cubrirá las mismas.
- Los Modelos con Profundidad Estándar (SD) comienzan con CFE.
- Los Modelos con Profundidad en la Mesada (CD) comienzan con CWE y CYE.

⚠ ADVERTENCIA

Al usar este electrodoméstico, siempre siga las precauciones básicas de seguridad, incluyendo lo siguiente:

- Este electrodoméstico deberá estar conectado a tierra de forma adecuada. Consulte “Cómo Conectar a Tierra el Refrigerador”, página 6.
- Use este electrodoméstico sólo para su propósito original.
- De forma inmediata, repare o reemplace los cables del servicio eléctrico que sufran daños o peladuras.
- Desenchufe el refrigerador antes de realizar su limpieza o reparaciones.
- Cualquier reparación deberá ser realizada por un técnico calificado del servicio técnico.
- A fin de reducir el riesgo asociado con asfixia, no permita que los niños menores de 3 años tengan acceso a las partes pequeñas durante la instalación de este producto

⚠ PRECAUCIÓN

Debido al peso y tamaño de este refrigerador, y a fin de reducir el riesgo de lesiones personales o daños sobre el producto - SE DEBERÁ CONTAR CON DOS PERSONAS PARA UNA INSTALACIÓN ADECUADA.

⚠ ADVERTENCIA RIESGO DE INCENDIO O EXPLOSIÓN

Mantenga cualquier material y vapores inflamables alejados del refrigerador. Si no se cumple con esto se podrá producir una explosión, incendio o la muerte.

Información sobre Seguridad

Marque el tipo de refrigerador en la etiqueta de especificaciones técnicas. Si es el R600a, cumpla con las instrucciones descritas en la siguiente advertencia.

⚠ ADVERTENCIA



RIESGO DE INCENDIO O EXPLOSIÓN Refrigerantes Inflamables

Este electrodoméstico cuenta con refrigerante isobutano, también conocido como R600a, un gas natural con alto nivel de compatibilidad medioambiental. Sin embargo, también es combustible. Siga las advertencias que figuran a continuación, a fin de reducir el riesgo de lesiones o daños sobre la propiedad.

1. Al mover, instalar y operar el electrodoméstico, se deberá tener cuidado de no dañar la tubería del refrigerante.
2. El servicio técnico sólo debe ser realizado por personal autorizado del servicio. Use sólo piezas del servicio autorizadas por el fabricante
3. Descarte el electrodoméstico de acuerdo con las Regulaciones Federales y Locales. El refrigerante inflamable y el material aislante inflamable usados en este producto requieren procedimientos de descarte especiales. Comuníquese con las autoridades locales para descartar su refrigerador de forma ambientalmente segura.
4. Mantenga las aberturas de ventilación en el espacio de protección del electrodoméstico o en la estructura incorporada libres de obstrucción.
5. A fin de eliminar la escarcha, raspe con una espátula o raspador de plástico o madera. No use un pico de hielo o un instrumento de metal con forma puntiaguda, ya que esto podrá perforar el revestimiento del freezer y luego la tubería refrigerante inflamable detrás de éste.
6. No use dispositivos eléctricos dentro del compartimiento de almacenamiento de comida del electrodoméstico.
7. No use ningún dispositivo eléctrico para descongelar su refrigerador.

⚠ ADVERTENCIA

A fin de reducir el riesgo asociado con descargas, no permita que los niños menores de 3 años de edad tengan acceso a las partes pequeñas durante la instalación de este producto.

⚠ ADVERTENCIA



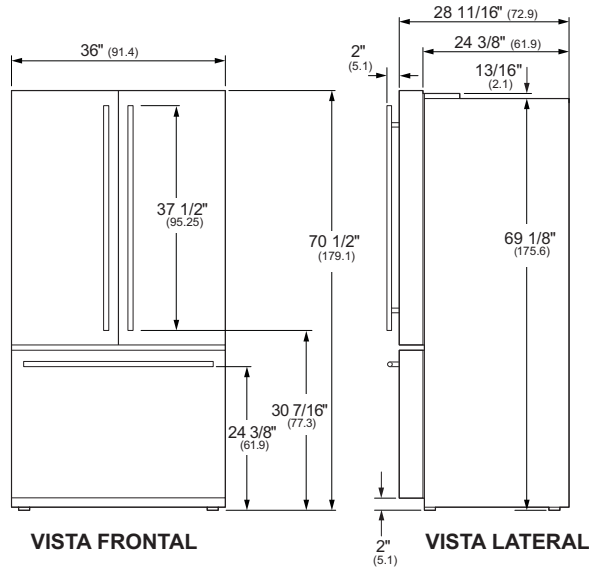
RIESGO DE CAÍDA

Si se incluye un soporte para piso antivolcaduras con su refrigerador, instale el mismo a fin de evitar que el refrigerador se incline hacia adelante, lo cual podrá producir como resultado la muerte o lesiones graves. Lea y siga las instrucciones de instalación en su totalidad, a fin de instalar el soporte de piso antivolcaduras embalado con su refrigerador.

Información de Planificación

El producto se envía sin manijas. Las manijas diseñadas para su uso con este modelo están disponibles en los kits de accesorios ZKLB3H3CTSS y ZKLB3H3PTSS. A continuación, se muestran las dimensiones para cada estilo de kit de manijas.

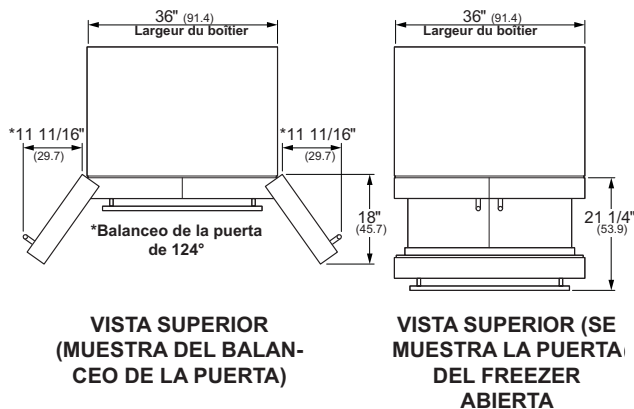
DIMENSIONES Y ESPACIOS LIBRES DEL PRODUCTO; MODELO ZWE23N CON KIT DE MANIJAS MINIMALISTA ZKLB3H3CTSS



ESPECIFICACIONES	
Ancho Total	36" (91,4 cm)
Altura Total	70 1/2" (179,1 cm)
Profundidad Total	30 11/16" (77,9 cm)
Espacio Libre para la Puerta	21 1/4" (54 cm)
Ancho del Recorte	36 1/4" (92,1 cm)
Altura del Recorte	71" (180,3 cm)
Profundidad del Recorte	26 3/8" (67 cm)
Requisitos de Plomería	Tubería de cobre OD de 1/4" o kit GE SmartConnect kit
Peso del Envío	400 lb (181.4 kg)

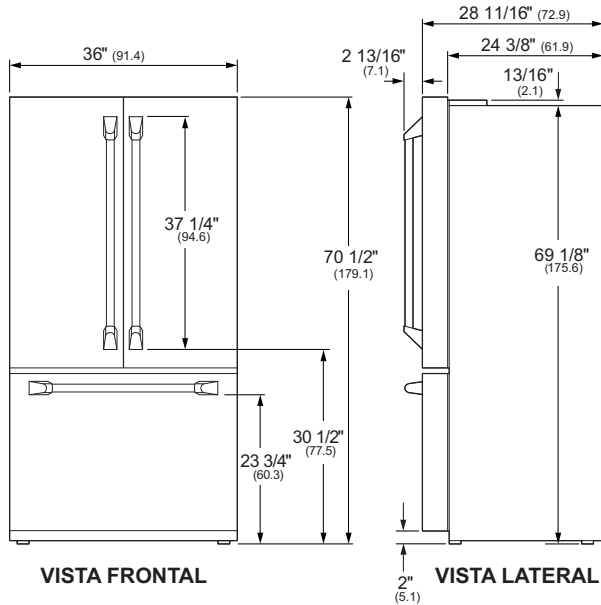
Espacios Libres para la Circulación de Aire

- 1/8" a cada lado
- 1" en la parte superior (tapa del gabinete/ bisagra)
- 2" del lado trasero



Información de Planificación

DIMENSIONES Y ESPACIOS LIBRES DEL PRODUCTO; MODELO ZWE23N CON KIT DE MANIJAS STATEMENT ZKLB3H3PTSS



ESPECIFICACIONES

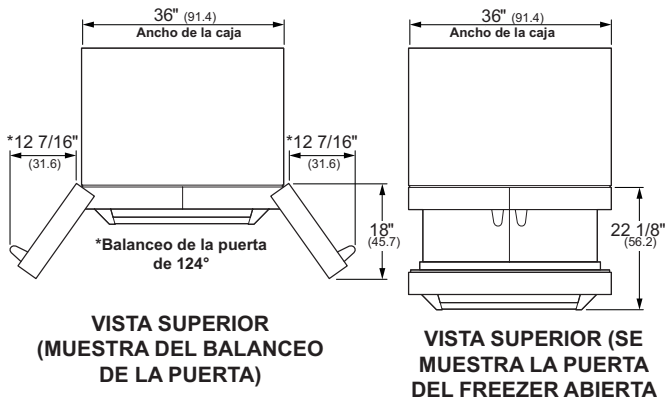
Ancho Total	36" (91,4 cm)
Altura Total	70 1/2" (179,1 cm)
Profundidad Total	31 1/2" (80cm)
Espacio Libre para la Puerta	22 1/8" (56,2 cm)
Ancho del Recorte	36 1/4" (92,1 cm)
Altura del Recorte	71" (180,3 cm)
Profundidad del Recorte	26 3/8" (67 cm)
Requisitos de Plomería	Tubería de cobre OD de 1/4" o kit GE SmartConnect kit
Peso del Envío	400 lb (181.4 kg)

ATENCIÓN ELECTRICISTA:

Se requiere un suministro de corriente de 115 voltios, 60Hz., y 15 o 20 amperes. Se recomienda el uso de un circuito de empalmes individual o un disyuntor correctamente conectado a tierra. Instale un receptáculo eléctrico de 3 patas correctamente conectado a tierra, y empotrado en la pared trasera.

Espacios Libres para la Circulación de Aire

- 1/8" a cada lado
- 1" en la parte superior (tapa del gabinete/ bisagra)
- 2" del lado trasero



Instrucciones de Instalación

HERRAMIENTAS REQUERIDAS

- Llave ajustable
- trinquete / destornillador de 3/8"
- Llave de Tubo de 8mm
- Destornillador PSD n°2
- Llave de tubo hexagonal de 7 mm
- Destornillador Phillips
- Destornillador con cabeza aplanada
- Llaves Allen de 5/32", 3/32", 1/8", 1/4"
- Broca y taladro eléctrico o manual de 1/8"
- Cinta métrica
- Lápiz
- Cortacables
- Llave de tuercas de 1/4"
- Nivel
- Llave Torx T20, T25

MATERIALES REQUERIDOS

- Tuerca de compresión con diám. ext. de 1/4" y 2 abrazaderas de refuerzo (mangas) o Kits de Tuberías para Refrigerador de SmartConnect™.

UBICACIÓN DEL REFRIGERADOR

- No instale el refrigerador en lugares donde la temperatura sea inferior a los 55°F (13°C). Éste no funcionará con la frecuencia suficiente como para mantener las temperaturas apropiadas.
- No instale el refrigerador en lugares donde la temperatura sea superior a los 100°F (37°C). La luz no funcionará correctamente.
- No instale el refrigerador en una ubicación expuesta al agua (lluvia, etc.) o en contacto directo con la luz solar.
- Instale el mismo en un piso lo suficientemente fuerte como para soportarlo completamente cargado.

▲ ADVERTENCIA



RIESGO DE DESCARGAS ELÉCTRICAS

Enchufe en un tomacorriente con conexión a tierra de 3 cables.

No elimine el cable de conexión a tierra.

No use un adaptador.

No use un prolongador.

Si no se siguen estas instrucciones, se podrá producir la muerte, incendios o descargas eléctricas.

Nunca, bajo ninguna circunstancia, corte o elimine el tercer cable (tierra) del cable de corriente. Por seguridad personal, este electrodoméstico debe estar adecuadamente conectado a tierra.

El cable de corriente de este electrodoméstico contiene un enchufe de 3 cables (conexión a tierra) que se conecta a un tomacorriente de pared estándar de 3 cables (conexión a tierra) para minimizar la posibilidad de riesgos de descargas eléctricas por parte del mismo.

Contrate a un electricista calificado para que controle el tomacorriente y el circuito eléctrico, a fin de asegurar que el enchufe esté correctamente conectado a tierra.

En caso de contar con un tomacorriente de pared de 2 cables, es su responsabilidad y obligación reemplazarlo por un tomacorriente de pared de 3 cables correctamente conectado a tierra. No use un adaptador.

El refrigerador deberá estar siempre conectado a un enchufe específico con un índice de voltaje equivalente al que figura en su etiqueta de especificaciones técnicas.

Se requiere un suministro eléctrico con fusible y conexión a tierra de 115 voltios de CA, 60 Hz, 15 o 20 amperes. Esto garantiza el mejor funcionamiento y además previene la sobrecarga de los circuitos del hogar, lo cual podría ocasionar riesgos de incendio debido al recalentamiento de cables.

Nunca desenchufe el refrigerador tirando del cable de corriente. Siempre tome su enchufe de manera firme y empuje el mismo hacia fuera para retirarlo.

Inmediatamente interrumpa el uso de un cable de suministro de corriente dañado. Si el cable de corriente se encuentra dañado, su reemplazo deberá ser realizado por un profesional calificado del servicio técnico, utilizando una pieza del servicio técnico autorizada por el fabricante.

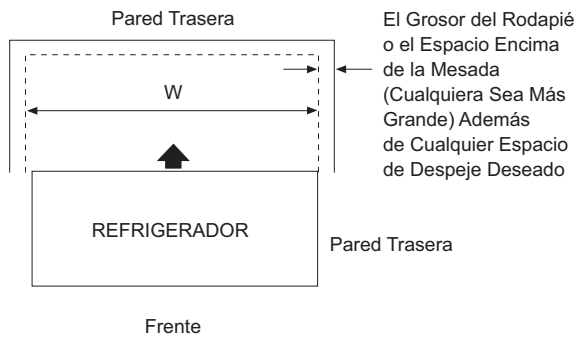
Al alejar el refrigerador de la pared, se deberá tener cuidado de que no ruede sobre ni dañe el cable de corriente.

Instrucciones de Instalación

PASO 1 MIDA LA ABERTURA DEL GABINETE DISPONIBLE VS. EL ANCHO DEL REFRIGERADOR

Mida el ancho de la abertura del gabinete donde será ubicado el refrigerador, W.

Asegúrese de contar con espacio por encima de la mesada, grosor en el zócalo y cualquier espacio libre deseado. El ancho, W, no deberá ser inferior a 36 pulgadas. El refrigerador será ubicado aproximadamente en el medio de esta abertura.



PASO 2 ANTES DE MOVER EL REFRIGERADOR A UN ÁREA INTERNA

IMPORTANTE: Es necesario que las puertas y pasillos del lugar de instalación posean una abertura de 31 1/2" (80cm). Si la abertura es inferior a 31 1/2" (80 cm), la tapa superior, las puertas y los cajones deberán ser retirados. (Consulte los pasos 4 a 6)

NOTA: Saltee los pasos 4 y 5, si no es necesario el retiro de la puerta. Vaya a la página 10, Mueva el Refrigerador.

NOTA: A fin de evitar daños, deje el embalaje interno, el separador de puertas y el envoltorio protector externo en sus lugares, hasta que la unidad sea llevada a la ubicación de su instalación.

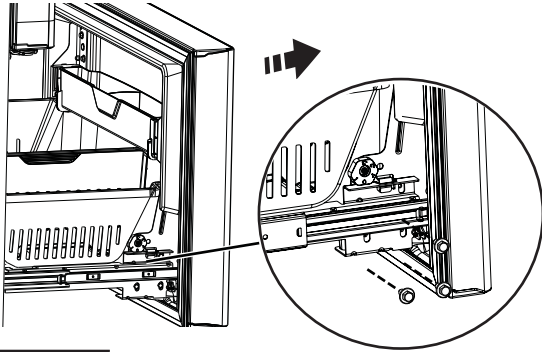
Instrucciones de Instalación

PASO 3 RETIRE EL CAJÓN DEL FREEZER

El cajón del freezer puede ser retirado, de ser necesario, para ubicarlo en áreas estrechas.

Lea estas instrucciones en su totalidad y atentamente.

- A. Abra la puerta del freezer hasta su extensión completa.
- B. Retire los 3 tornillos adheridos, ubicados en la parte inferior a cada lado de la puerta del freezer usando un destornillador con cabeza hueca hexagonal de 8mm.



⚠PRECAUCIÓN Riesgo al levantar la puerta

La puerta del freezer es pesada. Use ambas manos para asegurar la puerta antes de levantar la misma.

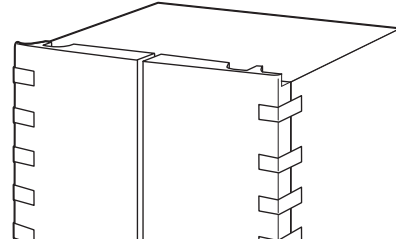
- C. Levante la puerta del freezer para desconectarla del mecanismo de deslizamiento. La puerta puede descansar de forma segura en la parte inferior. No apoye la puerta sobre ninguna otra superficie a fin de evitar rayones. Haga retroceder el mecanismo de deslizamiento completamente hasta que se repliegue.

PASO 4 RETIRE LAS PUERTAS DE ALIMENTOS FRESCOS

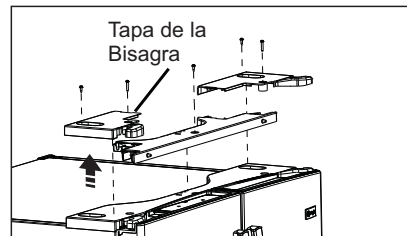
⚠ADVERTENCIA

Siga todos los pasos para retirar y volver a instalar la puerta. Si no se siguen estas instrucciones, dejando piezas sin uso o ajustando tornillos en exceso, esto podrá hacer que la puerta se caiga y producir lesiones y daños sobre la propiedad.

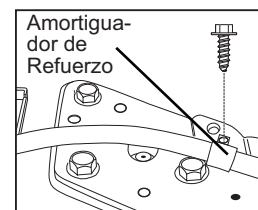
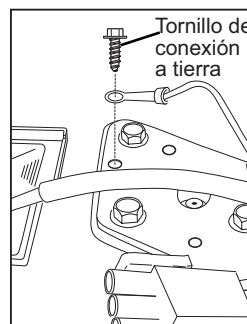
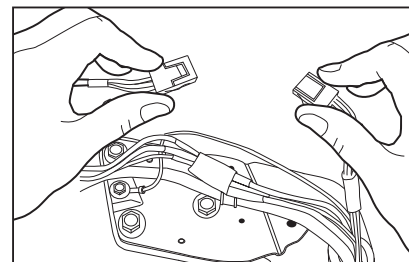
- A. De forma segura, encinte el cierre de la puerta con cinta de mascarar o pida a otra persona que sostenga la puerta.



- B. Comience por la puerta de la izquierda: Retire la tapa de la bisagra en la parte superior de la puerta izquierda del refrigerador, retirando los tornillos hexagonales de 7mm y empujando la misma hacia arriba. Haga lo mismo en la puerta derecha y en la tapa intermedia.



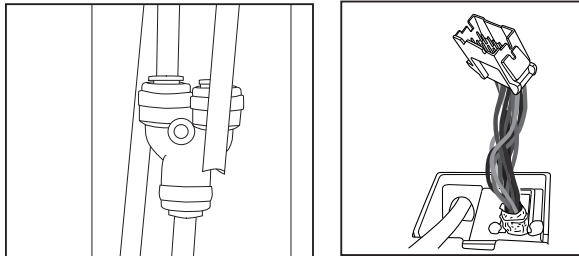
- C. Desconecte los dos conectores eléctricos en la tapa superior. Retire el tornillo de cabeza hexagonal de 1/4" para desconectar el cable a tierra de la bisagra. Retire el tornillo de cabeza hexagonal de 1/4" para retirar el amortiguador de refuerzo de la tubería de agua.



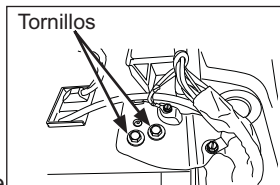
Instrucciones de Instalación

PASO 4 RETIRE LAS PUERTAS DE ALIMENTOS FRESCOS (CONT.)

D. Desconecte la tubería de agua de la parte trasera de la unidad, presionando hacia abajo el collar gris oscuro mientras levanta la tubería de agua. Empuje la tubería de agua a través del conducto de la caja desde la parte superior, a fin de liberar la misma para el retiro de la puerta. La tubería de agua tiene una longitud superior a 4' y es posible que se deba encantar a la Puerta para que esté accesible al reinstalar.



E. Usando un trinquete/destornillador de 8mm, retire los tornillos asegurando la bisagra superior al gabinete, luego levante la bisagra para liberar el perno de la bisagra desde la ubicación en la parte superior de la puerta.



PRECAUCIÓN Riesgo al levantar la puerta

Si es levantada por una sola persona, podrían ocasionarse lesiones. Solicite ayuda al sostener, mover o levantar las puertas del refrigerador.

NOTA: Al retirar la puerta, a fin de evitar daños sobre la puerta y la parte electrónica, coloque con cuidado la puerta en una ubicación adecuada.

NOTA: El perno de la bisagra inferior de la puerta y la bisagra poseen tamaños proporcionales y se los debe encajar correctamente para que la puerta se cierre sola. Siga las instrucciones con cuidado.

PASO 4 RETIRE LAS PUERTAS DE ALIMENTOS FRESCOS (CONT)

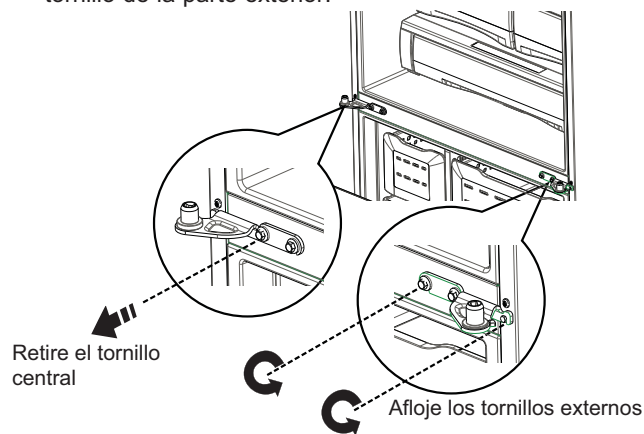
NOTA: Para una instalación posterior adecuada, siga el siguiente paso de forma cuidadosa.

F. Las puertas de comidas frescas se deben RETIRAR e INSTALAR abiertas a 90° con la caja hacia el frente.

RETIRE LA PUERTA OPUESTA Siga el mismo procedimiento en la puerta opuesta.

La puerta opuesta no posee cables ni líneas de agua.

G. **RETIRE LA BISAGRA CENTRAL** (si es necesario) Retire los tornillos con cabeza hexagonal de 8mm, asegurando la bisagra central al gabinete. Use una llave Torx T25 / Hexagonal de 1/4" / destornillador PSD n°2 para retirar el tornillo de la parte exterior.



PASO 5 MUEVA EL REFRIGERADOR

- Coloque un trozo de cartón o tela suave contra el panel lateral del refrigerador para amortiguar y proteger el acabado de acero inoxidable.
- Coloque el refrigerador en el carro manual, apoyando un lado contra este último.
- Mueva el refrigerador a un área interna. Coloque el refrigerador cerca de la ubicación de la instalación.

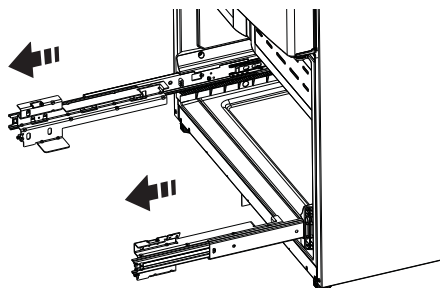
Instrucciones de Instalación

PASO 6 RETIRE EL CAJÓN DEL FREEZER

ADHIERA Y ASEGURE EL FRENTE DEL CAJÓN A LAS CORREDERAS

A. Empuje el Mecanismo de deslizamiento hasta su extensión completa usando ambas manos de forma simultánea.

B. Retire la canasta que se apoya sobre las correderas.



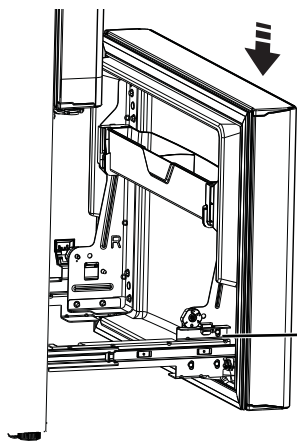
⚠ PRECAUCIÓN Riesgo al levantar la puerta

La puerta del freezer es pesada. Use ambas manos para asegurar la puerta antes de levantar la misma.

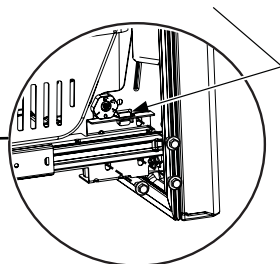
C. Levante la puerta del freezer y coloque la misma en el mecanismo de deslizamiento.

D. Reemplace los tornillos adheridos y ajuste los tornillos con giros de torsión hasta 65 libras pulgada (7.34 N-m).

E. Ajuste la brecha de la puerta del freezer, de ser necesario.

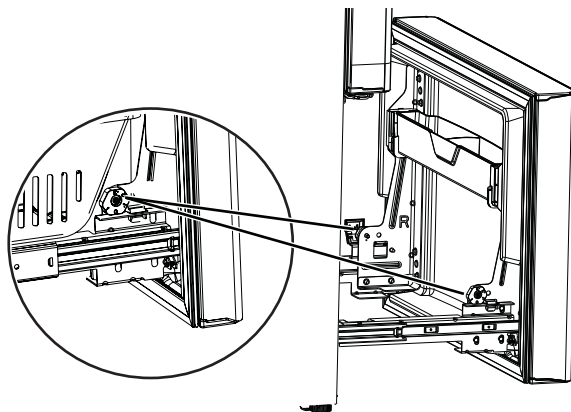


Alinee e inserte la lengüeta en el soporte de la puerta del freezer dentro de la ranura del soporte de deslizamiento del freezer.

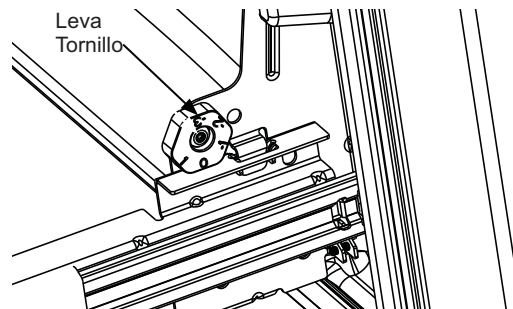


PASO 7 NIVELE EL CAJÓN DEL FREEZER

A. Ubique la leva de ajuste de altura en la puerta del freezer. Lentamente afloje los tres tornillos de ajuste de la puerta a ambos lados usando un destornillador con cabeza hueca hexagonal de 8mm.



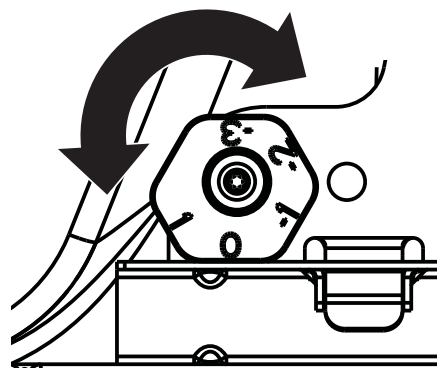
B. Ubique y afloje el tornillo de leva usando un destornillador de tubo de 8mm.



C. Levante la puerta del lado que requiera ajustes, y gire la leva hasta la posición requerida.

- 0- Posición inicial
- 1- Levante de a 0.050"
- 1- Baje de a 0.050"
- 2- Baje de a 0.100"
- 3- Baje de a 0.150"

D. Luego del ajuste, tense los 3 tornillos de ajuste usando hasta 65 libras pulgada (7.34 N-m).

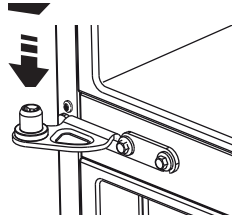


Instrucciones de Instalación

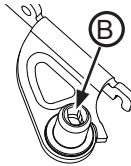
PASO 8 REEMPLACE LAS PUERTAS DE COMIDAS FRESCAS

Invierta los pasos 1 a 4 para reinstalar el refrigerador, siga los detalles que figuran a continuación para conocer las alineaciones críticas.

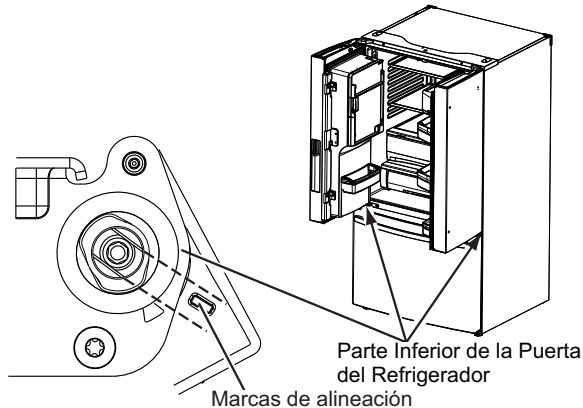
- A. Vuelva a instalar la bisagra central primero y gire el tornillo de interior de cabeza hexagonal más grande de 8mm a 65 libras por pulgada (7.34 N-m) y el tornillo pequeño a 25 libras por pulgada (2.82 N-m). Dándole al tornillo un 1/3 de giro luego de que quede nivelado con la superficie de contacto se lograrán realizar estos giros.



- B. Si la bisagra del refrigerador posee una ranura parecida a la imagen B sobre la derecha, siga los pasos que figuran más abajo. De otro modo, dirijase al paso C.



Con la puerta LH a más de 90° hacia el frente de la caja, baje la puerta del refrigerador. Asegúrese de que la puerta y la bisagra se alineen correctamente. Gire la puerta hasta cerrarla y asegúrese de que la parte sellada hasta el centro móvil de la puerta se alinee con el cerradero. Si la puerta no puede ser instalada a 90°, siga estos próximos pasos. Instale la puerta a 90° del frente de la caja. Si el espacio o el modelo limita la apertura de la puerta a menos de 180°, retire la puerta y con cuidado dé vuelta la misma. Controle la alineación de la puerta. Hay una marca de alineación en el mecanismo de cierre de la puerta que coincide con una marca de alineación sobre la tapa del extremo inferior. Gire el mecanismo de cierre de la puerta para alinear la marca y la flecha.



- C. Si la bisagra de su refrigerador no posee una ranura y se parece a la imagen C de la derecha, entonces simplemente baje el agujero exterior de la puerta sobre el perno de la bisagra.



- D. De forma segura encinte el cierre de la puerta con cinta de mascarar o pida a otra persona que sostenga la puerta.

PASO 8 REEMPLACE LAS PUERTAS DE COMIDAS FRESCAS (Cont.)

- E. Siga el mismo procedimiento para instalar la puerta opuesta. No hay cables, tuberías de agua de tapas de bisagras centrales en la puerta opuesta.
- F. Asegúrese de reinstalar el cable a tierra y el amortiguador de refuerzo a la bisagra superior.
- G. Vuelva a instalar la tapa de la bisagra. **NOTA:** Asegúrese de que los cables no sufran cortes ni queden debajo de tornillos antes de ajustar estos últimos.

Instrucciones de Instalación

CÓMO INSTALAR EL REFRIGERADOR (Cont.) SOPORTE DE PISO ANTI-VOLCADURAS (Si se Requiere)

⚠ ADVERTENCIA



Riesgo de

Caída.



Si se incluye un soporte de piso antivolcaduras con su refrigerador, instale el mismo a fin de evitar que el refrigerador se incline hacia adelante, lo cual podrá producir como resultado la muerte o lesiones graves. Lea y siga las instrucciones de instalación en su totalidad, a fin de instalar el soporte de piso antivolcaduras embalado con su refrigerador.

NOTA:

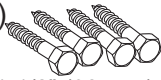
Si el soporte antivolcaduras incluido con su refrigerador está dañado o se perdió, llame al 1.800.626.8774 para recibir uno sin costo. (En Canadá, llame al 1.800.561.3344). Para acceder a instrucciones sobre el soporte, visite: www.GEApliances.com.

MATERIALES QUE PUEDE NECESITAR

(not included)

Tirafondos

1/4" (6 mm) x 1-1/2" (38 mm)



Casquillos de Anclaje

1/2" (12 mm) Diámetro Exterior

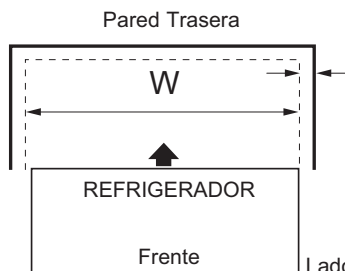


Broca para Taladro Apropiaada para Anclajes

Para Soporte Anti-Volcaduras Montado en Pisos de Concreto Únicamente

AT-1 MIDA LA ABERTURA DEL GABINETE DISPONIBLE VS. EL ANCHO DEL REFRIGERADOR

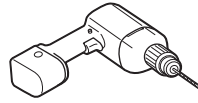
Mida el ancho de la abertura del gabinete donde será ubicado el refrigerador, W. Asegúrese de contar con espacio por encima de la mesada, grosor en el rodapié y cualquier despeje deseado. El ancho, W, no debería ser inferior a 36". El refrigerador será ubicado aproximadamente en el medio de esta abertura. approximately in the middle of this opening.



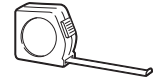
El Grosor del Rodapié o el Espacio Encima de la Mesada (Cualquiera Sea Más Grande) Además de Cualquier Despeje Deseado

Lado Derecho

HERRAMIENTAS NECESARIAS



Broca y Taladro Eléctrico o Manual de 1/8" (3 mm)



Cinta métrica



Lápiz

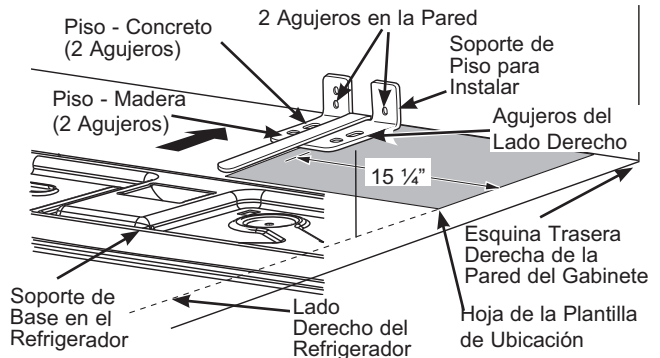


Llave de tuercas de 5/16" (8 mm)

AT-2 UBICACIÓN DEL SOPORTE DE PISO ANTI-VOLCADURAS

- A** Coloque la plantilla de ubicación del soporte de piso anti-volcaduras (incluido dentro del kit anti-volcaduras) sobre el piso contra la pared trasera, dentro de W, y alineado con la ubicación deseada del lado derecho del refrigerador (vea la Figura 1).

Figura 1 – Visión General de Instalación



- B** Coloque el soporte para piso anti-volcaduras en la plantilla de ubicación con sus agujeros para piso del lado derecho alineado con los agujeros del piso indicados en la hoja de la plantilla, aproximadamente 38.73 cm (15 1/4") desde el extremo de la hoja o del lado derecho del refrigerador.
- C** Sostenga en la posición y use el soporte para piso anti-volcaduras como una plantilla para hacer los agujeros, basados en su configuración y tipo de construcción como se muestra en el Paso 3. Marque las ubicaciones de los agujeros con un lápiz, clavo o punzón.

NOTA:

- Se **REQUIERE** el uso de por lo menos 2 tornillos para montar el soporte (uno a cada lado del soporte para piso anti-volcaduras). Ambos deben estar en la pared o en el piso. La figura 2 indica todas las configuraciones de montaje aceptables para los tornillos. Identifique los agujeros de los tornillos en el soporte para piso anti-volcaduras para su configuración.

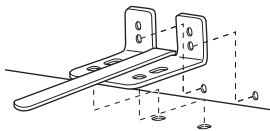
Instrucciones de Instalación

CÓMO INSTALAR EL REFRIGERADOR (Cont.) SOPORTE DE PISO ANTI-VOLCADURAS (Si se Requiere)

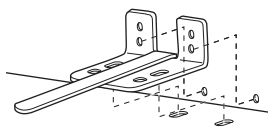
AT-2 UBICACIÓN DEL SOPORTE DE PISO ANTI-VOLCADURAS (cont.)

Figura 2 – Ubicaciones Aceptables para la Colocación de Tornillos

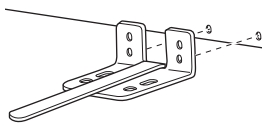
Instalación Recomendada
- Madera



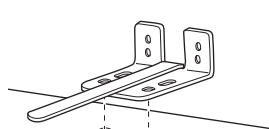
Instalación Recomendada
- Concreto



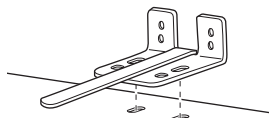
Mínimo Aceptable N° 2 –
Piso de Madera



Mínimo Aceptable N° 2 –
Piso de Madera



Mínimo Aceptable N° 2 –
Piso de Madera

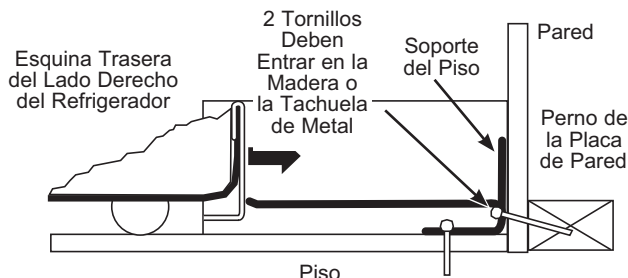


AT-3 INSTALACIÓN DEL SOPORTE ANTI-VOLCADURAS

A Construcción del Piso y la Pared de MADERA:

- Realice la cantidad apropiada de agujeros de prueba de 1/8" (3 mm) en el centro de cada agujero de soporte del piso que se usará (se podrá usar un clavo o punzón si no se cuenta con una broca) Y retire la plantilla de ubicación del piso.
- Monte el soporte para piso anti-volcaduras ajustando los 2, o se recomienda 4, tornillos de cabeza hexagonal n° 10-16 de forma ajustada en cada lugar como se ilustra en la Figura 3.

Figura 3 – Ajuste a la Pared y el Piso



B Construcción del Piso y la Pared de CONCRETO:

- Se requiere el uso de anclajes (no provistos):
4 tirafondos cada uno de 1/4" (6 mm) x 1-1/2" (38 mm)
4 sujetadores de manga cada uno de 1/2" (12 mm) de diámetro exterior
- Realice los agujeros usando los tamaños recomendados para los anclajes en el concreto sobre el centro de los agujeros marcados en el Paso 2.
- Instale los sujetadores de mangas en los agujeros perforados. Coloque el soporte de piso anti-volcaduras como se indica en el Paso 2. Retire la plantilla de ubicación desde el piso.
- Instale los tirafondos a través del soporte para piso anti-volcaduras y ajuste los mismos de forma apropiada.

C Construcción del Piso de MOSAICO y la Pared de MADERA::

- For this special case, locate the 2 wall holes identified in Fig. 2. Drill an angled 1/8" (3 mm) pilot hole (approx. as shown in Fig. 3) in the center of each hole.
- Monte el soporte para piso anti-volcaduras usando la Instalación Mínima Aceptable n° 1, como se ilustra en la Figura 2.

AT-4 CÓMO POSICIONAR EL REFRIGERADOR PARA ADHERIR LOS SOPORTES DEL PISO ANTI-VOLCADURAS Y DE LA BASE

- A** Antes de empujar el refrigerador hacia la abertura, enchufe el cable de corriente en el receptáculo y conecte el suministro de agua (si está equipado). Controle que no haya pérdidas.
- B** Ubique el lado derecho del refrigerador y mueva el mismo hacia atrás aproximadamente en línea con el lado derecho de la abertura del gabinete, W. Esto debería posicionar el soporte del piso anti-volcaduras, a fin de adherir la base anti-volcaduras con el refrigerador.
- C** De forma suave haga girar el refrigerador nuevamente hacia el gabinete, abriendo el mismo hasta que se detenga completamente. Controle que el frente del refrigerador se alinee con la cara frontal del gabinete. Si no es así, con cuidado mueva el refrigerador hacia adelante y atrás hasta que se produzca la adherencia y observe que el refrigerador esté completamente apoyado sobre la pared trasera.
- D Si Corresponde:** Realice los ajustes de altura de las ruedas traseras (y frontales) para adherir completamente los soportes anti-volcaduras traseros, mientras también alinea el frente del refrigerador con la cara frontal del gabinete.

NOTA: Si empuja el refrigerador hacia afuera y lo aleja de la pared por alguna razón, asegúrese de que el soporte para piso anti-volcaduras esté adherido cuando el refrigerador es empujado hacia atrás contra la pared trasera.

Instrucciones de Instalación

PASO 9 INSTALE EL SUMINISTRO DE AGUA

Los kits de suministro de agua de cobre recomendados son WX8X2, WX8X3 o WX8X4, dependiendo de la cantidad de tubería necesaria. Las tuberías de suministro de agua de plástico aprobadas son las Tuberías para Refrigerador de GE SmartConnect™ (WX08X10006, WX08X10015 y WX08X10025).

Al conectar su refrigerador a un Sistema de Agua por Ósmosis Inversa, la única instalación aprobada es con el Kit RV de GE Appliances. Con otros sistemas de agua por ósmosis inversa, siga las recomendaciones del fabricante.

Si el suministro de agua al refrigerador es de un Sistema de Filtración de Agua por Ósmosis Inversa (RO) Y el refrigerador también cuenta con un filtro de agua, use el enchufe del bypass del filtro del refrigerador. El uso del cartucho de filtración de agua del refrigerador junto con un filtro de agua por ósmosis inversa podrá producir cubos de hielo huecos. Algunos modelos no vienen equipados con el enchufe del bypass del filtro. Para obtener un enchufe del bypass gratis, llame al 800-GEARES. En Canadá, llame al 888.880.3030.

Esta instalación de la tubería de agua no posee garantía del fabricante del refrigerador o de la máquina de helos. Siga estas instrucciones con cuidado, a fin de minimizar el riesgo de daños caros sobre el agua.

Los golpes de ariete (agua que golpea las tuberías) en la plomería del hogar pueden ocasionar daños sobre las piezas del refrigerador y generar pérdidas de agua o inundación. Llame a un plomero calificado para corregir los golpes de ariete antes de instalar la tubería de suministro de agua al refrigerador.

A fin de evitar quemaduras y daños sobre los productos, no adhiera la tubería de agua a la tubería de agua caliente. No instale la tubería de la máquina de helos en áreas donde las temperaturas sean inferiores a las de congelación.

Al usar cualquier dispositivo eléctrico (tal como un taladro eléctrico) durante la instalación, asegúrese de que el mismo posea un doble aislante o que esté conectado a tierra de modo que se prevenga el riesgo de descargas eléctricas, o que esté alimentado por medio de una batería.

Todas las instalaciones deberán ser acordes con los requisitos del código de plomería local.

- Kit de Tubería para Refrigerador de Cobre o GE SmartConnect™ de 1/4" de diámetro externo para conectar el refrigerador al suministro de agua. Si usará cobre, asegúrese de que ambos extremos de la tubería hayan sido cortados de forma recta.

PASO 9 INSTALE EL SUMINISTRO DE AGUA (Cont.)

A fin de determinar cuánta tubería es necesaria: mida la distancia desde la válvula de agua en la parte trasera del refrigerador hasta la tubería del suministro de agua. Asegúrese de que haya suficiente tubería adicional para permitir que el refrigerador pueda ser retirado de la pared luego de la instalación.

Los Kits de Tuberías para Refrigerador de GE SmartConnect™ están disponibles en las siguientes longitudes:

6' (1.8 m)	– WX08X10006
15' (4.6 m)	– WX08X10015
25' (7.6 m)	– WX08X10025

▲ ADVERTENCIA

Realice la conexión a un suministro de agua potable únicamente.

Se requiere un suministro de agua fría para el funcionamiento de la máquina de helos automática. La presión del agua deberá estar entre 40 y 120 psi (275-827 kilopascales).

Instrucciones de Instalación

PASO 10 CONECTE EL SUMINISTRO DE AGUA

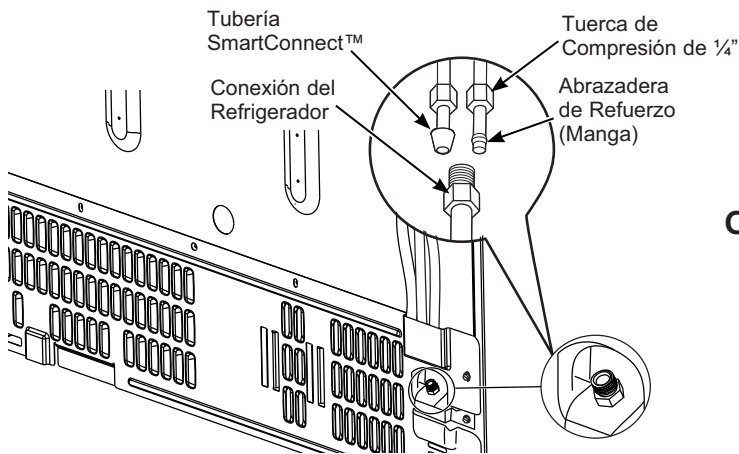
Se requiere un suministro de agua fría para el funcionamiento de la máquina de hielos automática. Si no se cuenta con un suministro de agua fría, deberá proveer uno. Consulte la sección sobre Instalación del Suministro de Agua.

NOTAS:

- Antes de realizar la conexión al refrigerador, asegúrese de que el cable de corriente del mismo no se encuentre enchufado al tomacorriente.
- Si su refrigerador no cuenta con un filtro de agua, le recomendamos que instale uno si el suministro de agua posee arena o partículas que podrían atascar la rejilla de la válvula de agua del refrigerador. Instale el mismo en la tubería de agua más cercana al refrigerador. Si usará el Kit de Tuberías para Refrigeradores de SmartConnect™, necesitará una tubería adicional (WX08X10002) para realizar la conexión al filtro. No corte la tubería de plástico para instalar el filtro.
- Antes de conectar la tubería de agua al hogar, purgue la tubería del hogar durante por lo menos 2 minutos.

A. Si usará una tubería de cobre, coloque una tuerca de compresión y una abrazadera de refuerzo (mango) en el extremo de la tubería proveniente del suministro de agua fría del hogar.

Si usará la tubería de SmartConnect™, las tuercas ya están ensambladas en la tubería.



⚠ ADVERTENCIA PELIGRO DE DESCARGA ELÉCTRICA

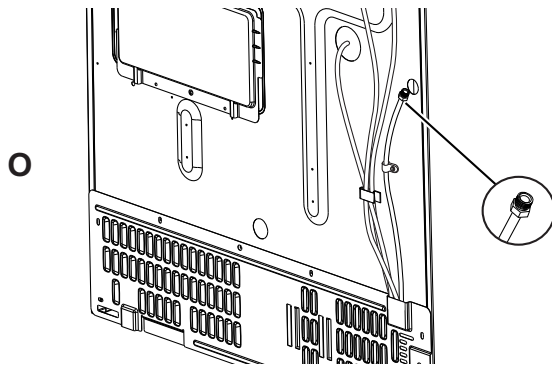
Adhiera la abrazadera de la tubería usando el agujero existente únicamente. NO perforo el refrigerador.

- B.** Si usará tuberías de cobre, inserte el extremo de la tubería en la conexión del refrigerador, en la parte trasera del refrigerador, lo más lejos posible. Al sostener la tubería, ajuste la unión.
- Si usará tuberías de SmartConnect™, inserte el extremo moldeado de la tubería en la conexión del refrigerador, en la parte trasera del refrigerador, y ajuste la tuerca de compresión hasta que quede ajustada manualmente. Luego realice un ajuste adicional con un giro de llave. Ajustar en exceso, podrá ocasionar pérdidas.
- C.** Ajuste la tubería a la abrazadera provista para sostener la misma en la posición correcta. Será necesario que abra la abrazadera haciendo palanca.
- D.** Abra el agua desde la válvula de cierre para controlar que no haya pérdidas.

⚠ ADVERTENCIA

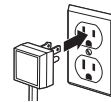
Realice la conexión a un suministro de agua potable únicamente.

Se requiere un suministro de agua fría para el funcionamiento de la máquina de hielos automática. La presión del agua deberá estar entre 40 y 120 psi (275-827 kilopascales).



PASO 11 ENCHUFE EN EL REFRIGERADOR

Consulte la información de conexión a tierra adjunta al cable de corriente.



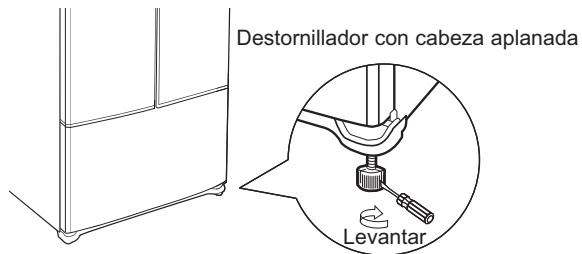
Instrucciones de Instalación

PASO 12 NIVELE EL REFRIGERADOR

Las patas niveladoras cumplen 2 propósitos:

- Las patas niveladoras se ajustan de modo que el refrigerador quede posicionado de manera firme en el piso y no se tambalee.
- Las patas niveladoras sirven como freno estabilizador para sostener el refrigerador de forma segura en su posición durante el funcionamiento y la limpieza. Las patas niveladoras también evitan la caída del refrigerador.

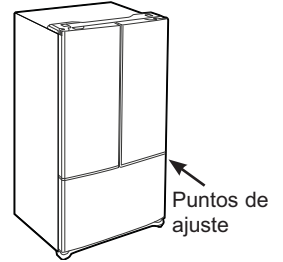
Gire las patas niveladoras en dirección de las agujas del reloj para levantar el refrigerador, y en contra de las agujas del reloj para bajarlo.



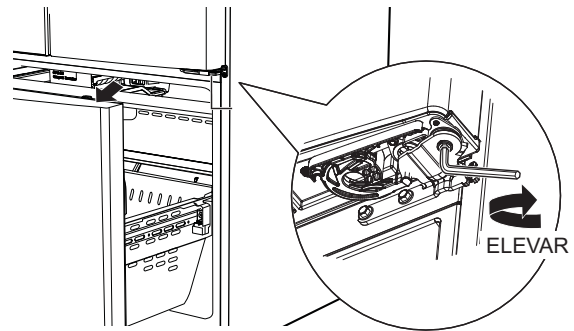
AVISO: A fin de evitar posibles daños sobre la propiedad, las patas niveladoras deberán estar tocando el piso de manera firme.

PASO 13 NIVELE LAS PATAS

Recuerde que es necesario que el refrigerador esté nivelado para que las puertas estén perfectamente apoyadas. Si necesita ayuda, revise la sección previa sobre nivelación del refrigerador.

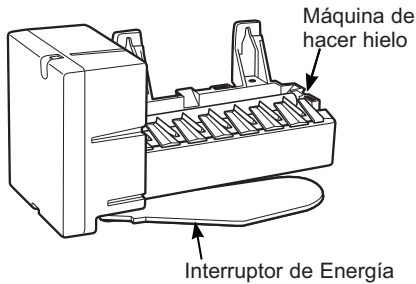


- A. Si abre la puerta del freezer, podrá ver la bisagra central.
- B. Inserte una llave Allen de $\frac{1}{4}$ " en el hueco de la bisagra central.
- C. Ajuste la altura girando en dirección a favor o en contra de las agujas del reloj. Al girar en contra de las agujas del reloj, la puerta se moverá.



Instrucciones de Instalación

PASO 14 Máquina de Hacer Hielo Automática



- Asegúrese de que la máquina de hacer hielo se encuentre en la posición ON (Encendido) SÓLO LUEGO de que la cañería de agua se haya conectado y que el agua esté abierta.
- Es posible que los refrigeradores instalados de forma reciente necesiten hasta 24 horas para enfriar y para que comience la producción de hielo.

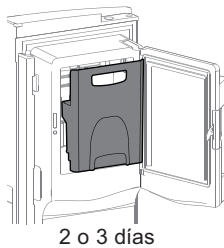
⚠ PRECAUCIÓN

Evite el contacto con las partes en movimiento del mecanismo expulsor o con el elemento de calefacción (ubicado en la parte inferior de la máquina de hielos) que expulsa los cubos. No coloque los dedos ni las manos en el mecanismo de la máquina de hielos automática mientras el refrigerador esté enchufado.

Uso Normal

- Producción normal de hielo = 100 cubos en 24 horas.

Para llenar la canasta hasta su capacidad máxima luego de la instalación, suministre 3 o 4 cubos en 12 y 18 horas. Espere 2 o 3 días hasta que el balde se llene completamente de hielo.



Es normal que el hielo aparezca descolorado durante las primeras horas de producción, o luego del reemplazo del filtro de agua. Luego de iniciar la máquina de hacer hielo, o luego del reemplazo del filtro de agua, Descarte las primeras cantidades de hielo para evitar problemas de olor y sabor.

PASO 15 CONTROLES DE TEMPERATURA

- Los controles de temperatura están preconfigurados en 37° para el refrigerador y en 0°F para el freezer.
- Permita que se establezca durante 24 horas antes de realizar ajustes.

PASO 16 PURGA DEL SISTEMA DE AGUA

Una vez que la unidad se encuentre encendida, presione el botón / paleta del dispensador y dispense agua durante por lo menos 5 minutos para eliminar el aire de la tubería de agua, y nivelar el filtro.

Las primeras cantidades de hielo también se deberán descartar. Para los modelos Sin Dispensador, descarte la primera cubitera de producción de hielo.

PASO 17 INSTALACIÓN DE LAS MANIJAS DE LAS PUERTAS

Estos modelos requieren la adquisición por separado de los kits de manijas de puertas. Las instrucciones para la instalación de cada manija están incluidas con el kit.

Notas

Notas

NOTA: Al realizar las instalaciones descritas en este libro, se deberán usar anteojos o gafas de seguridad.

NOTA: GE Appliances se esfuerza de forma constante para mejorar sus productos. Por lo tanto, los materiales, el aspecto y las especificaciones están sujetos a cambios sin aviso previo.