

F I S H E R & P A Y K E L

INTEGRATED COLUMN REFRIGERATOR FREEZER

RS2484WR, RS2484WL,
RS3084WR & RS3084WL
models

INSTALLATION GUIDE

US CA

863026B 03.20

CONTENTS

Safety and warnings	4	Dual install options	29
Integrated columns — refrigerator-freezer	5	Cavity dimensions — RS24 + RS24 dual install	30
Check your appliance	6	Cavity dimensions — RS24 + RS30 dual install	31
Moving your appliance	7	Cavity dimensions — RS30 + RS30 dual install	32
Before installation	8	Toe kick panel dimensions — dual install	33
Supplied parts	9	Power supply dimensions	34
Required parts	11	Electrical specification	35
toe kick panel	11	Plumbing specification	35
Door panel set	12	Install anti-tip bracket	36
Door and drawer handle kits	12	Connect water and power supply	38
Hinge change kit	13	Position and alignment in cabinetry	40
Product dimensions — RS24 model	14	Secure appliance to cabinetry	45
Cavity dimensions — RS24 model	15	Remove hanging brackets	46
Door panel dimensions — RS24 model	16	Install door and drawer panels	47
Custom door panel install dimensions — rs24 model	17	Install locking bracket	51
Door clearance — RS24 model	18	Install adjustment brackets	51
Drawer clearance — RS24 model	19	Install toe kick panel	52
Toe kick dimensions — RS24 model	20	Install toe kick grilles	53
Toe kick install options	21	Install top trim	53
Product dimensions — RS30 model	22	Install water filter	54
Cavity dimensions — RS30 model	23	Install air flow divider	55
Door panel dimensions — RS30 model	24	Install cabinet side trims	56
Custom door panel install dimensions — RS30 model	25	Install door and drawer side trims	57
Door clearance — RS30 model	26	Dual installation	58
Drawer clearance — RS30 model	27	Change the door hinges (optional)	64
Toe kick dimensions — RS30 model	28	Final checklist	70

SAVE THESE INSTRUCTIONS

The models shown in this installation guide may not be available in all markets and are subject to change at any time. For current details about model and specification availability in your country, go to our website fisherpaykel.com or contact your local Fisher & Paykel dealer.

⚠ WARNING!



Electric Shock Hazard
 Read and follow the safety and warnings outlined in this installation guide before operating this appliance.
 Failure to do so can result in death, electric shock, fire or injury to persons.

⚠ WARNING!



Cut Hazard
 Take care — panel edges are sharp.
 Failure to use caution could result in injury or cuts.

⚠ WARNING!



This appliance is top-heavy and must be secured to prevent the possibility of tipping forward.
 To ensure that the appliance is stable under all loading conditions, the anti-tip bracket and fittings supplied must be installed according to the following installation steps by a professional installer.

WARNING!

To avoid hazard, follow these instructions carefully before installing or using this appliance.

- Please make this information available to the person installing the appliance.
- Assume all electrical parts are live.
- Disconnect power supply before servicing and installation.

BEFORE INSTALLATION

- The appliance has front and rear rollers for moving the appliance forward and backward. Do not move the appliance sideways to avoid damaging the rollers or the floor covering/surface.
- Ensure your appliance is not exposed to any heat generating appliance eg cooktop, oven or dishwasher.
- The appliance must be installed by a qualified installer, or Fisher & Paykel trained and supported service technician to avoid faulty electrical and plumbing connections.
- All connections for electrical power and earthing must comply with local codes and ordinances and be made by licensed personnel when required.
- Avoid installation of the appliance/s near a ground fault circuit interrupter (GFCI).
- Ensure the appliance is installed properly. Improper installation that results in appliance failure is not covered under the appliance warranty.

UNPACKING

- The appliance is heavy and requires at least two persons to move and install.
- Remove the installation kit (internal box) and trims kit (external box) while the product is still on the pallet.
- Avoid scratching the surface of your appliance when moving or installing.
- Keep the appliance stable and door closed to prevent tipping over when moving to the installation location.
- Ensure the feet of the appliance are retracted before moving to the installation location.
- If the appliance is damaged, contact your Fisher & Paykel dealer.
- Ensure all components and accessories are complete. Refer to 'Before installation' page.
- Record the default Wifi password, and the model and registration numbers for future servicing or repair of your appliance.

ELECTRICAL/PLUMBING

- Electrical and water supply connections for these appliances must be located in an adjacent area or unit (cabinet or cupboard) that are easily accessible in case of repair or disconnection.
- Ensure an isolating switch is available if electrical connection is not accessible.

INSTALLATION

Cavity preparation

- The anti-tip bracket and fittings supplied must be fitted to the wall of the finished enclosure to withstand a 225lb/100kg load.
- Ensure that the anti-tip bracket is installed correctly to prevent the possibility of the appliance tipping forward when the door is open.

SAFETY AND WARNINGS

Positioning inside the cabinetry

- Ensure the door of the appliance is closed when rolling into the cabinetry.
- Ensure the power cord is not run over or damaged when rolling the product into the cabinetry.

Aligning inside the cabinetry

- For flush installation, ensure the door panels are installed flush with cabinetry front surface. Ensure the appliance is properly centred.
- All four corners of the appliance must be supported firmly on the floor to eliminate any movement. Installing the appliance on a soft, uneven, or not level floor may cause twisting and poor door sealing.

Fixing inside the cabinetry

- Use low speed, low torque setting when using a powered driver for the screws when fixing or aligning the product.
- Make sure to remove the depth alignment brackets before fixing the appliance inside the cabinetry.
- Open the appliance door to remove the alignment brackets from both sides of the appliance, and then re-tighten the screws.

Installing the door panel

Stainless steel panel

- Protect the finish of the Fisher & Paykel Stainless Steel door panels from any scratch or damage.
- Remove the blue tape attached to inner edges of the door panels after the handles are installed.
- We recommend to load the shelves in the appliance door with weights to ensure an accurate door panel gap width.

Custom panel

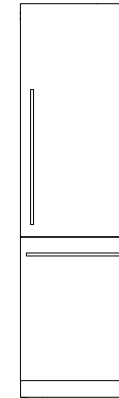
- If using Custom door panels, ensure they are prepared as per 'Custom door panel install dimensions' section.
- The thickness of the custom door panel can vary as long as the screws do not penetrate beyond the full depth of the door panel, and as long as the overall weight of the panel does not exceed 55lb/25kg.
- Do not place the handle holes in marked areas to avoid clashing with panel attachment brackets.
- Minimum panel thickness where screw hole is drilled must be 16mm.

Switching the door hinge (optional)

- Door hinges are interchangeable for each model. A hinge change kit is available and can be purchased separately if you prefer to change from 'right hand hinge' to 'left hand hinge' or vice versa.

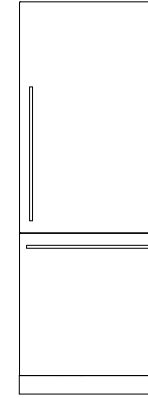
INTEGRATED COLUMNS – REFRIGERATOR-FREEZER

24" (610mm)

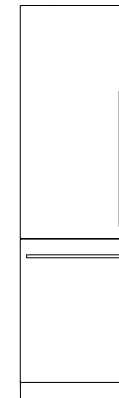


RS2484WR

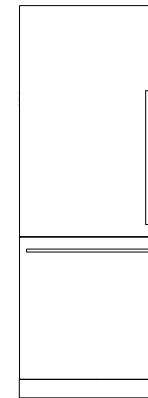
30" (762mm)



RS3084WR



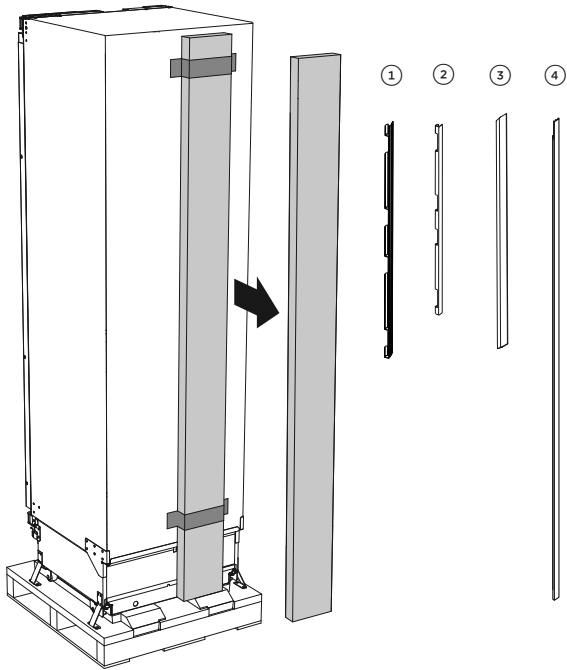
RS2484WL



RS3084WL

CHECK YOUR APPLIANCE

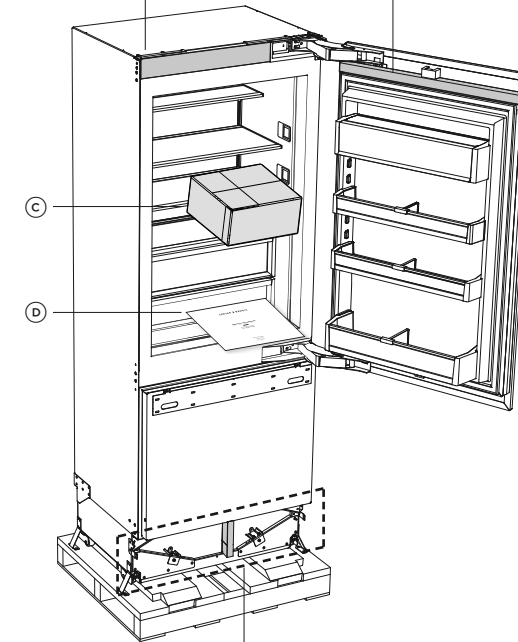
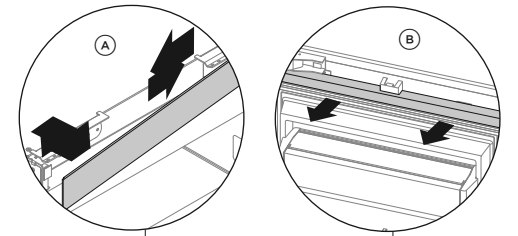
- Ensure you follow the unpacking steps printed on the packaging box of your appliance.
- Check that your appliance is the correct model as per your order.
- Check that the components and install kits are complete.



Remove external box (trims kit) from the back of the appliance.

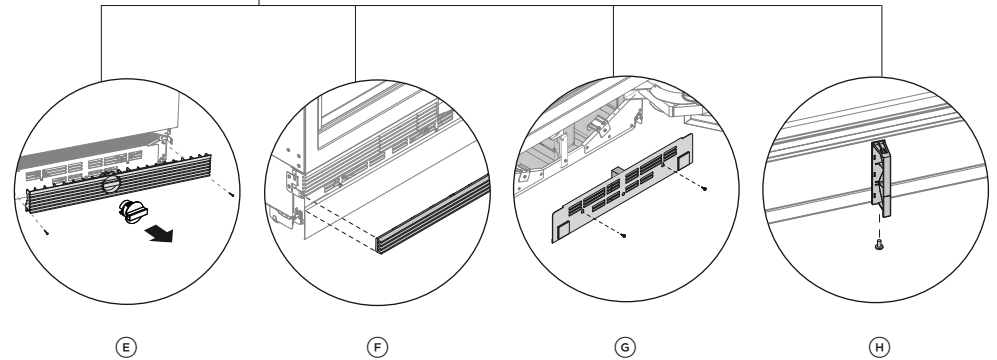
The box contains:

- ① Top door panel side extrusion
- ② Bottom drawer panel side extrusion
- ③ Bottom drawer top trim
- ④ Cabinet side trim



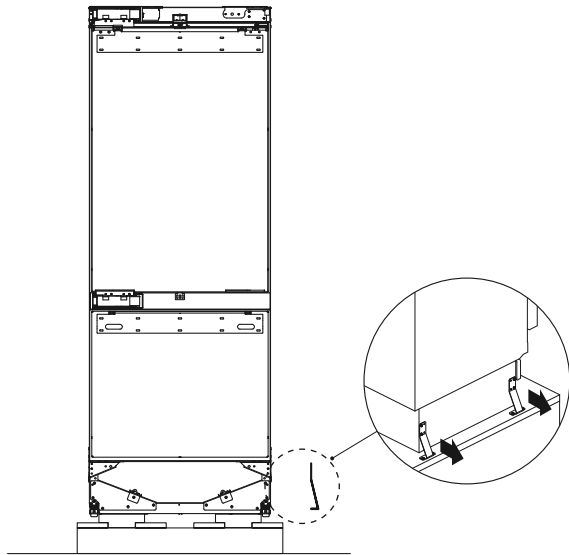
Remove installation kit, miscellaneous items pack and pre-installed parts. Keep all components to use later.

- Ⓐ Top trim
- Ⓑ Top door extrusion
- Ⓒ Installation kit
- Ⓓ Miscellaneous items pack and water filter kit
- Ⓔ Top grille and water filter tool
- Ⓕ Bottom grille
- Ⓖ Toe kick mounting plate
- Ⓗ Air flow divider

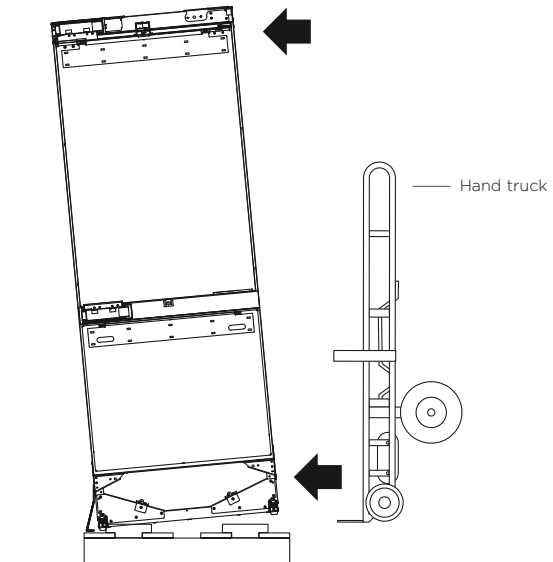


MOVING YOUR APPLIANCE

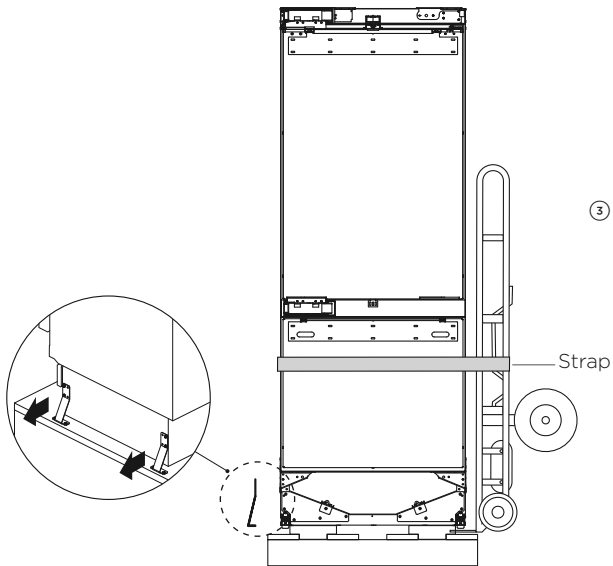
- Follow the steps below to move your appliance to the install location.
- Be careful when tilting the appliance forward/backward.
- Tape the door shut to prevent opening while moving the appliance.



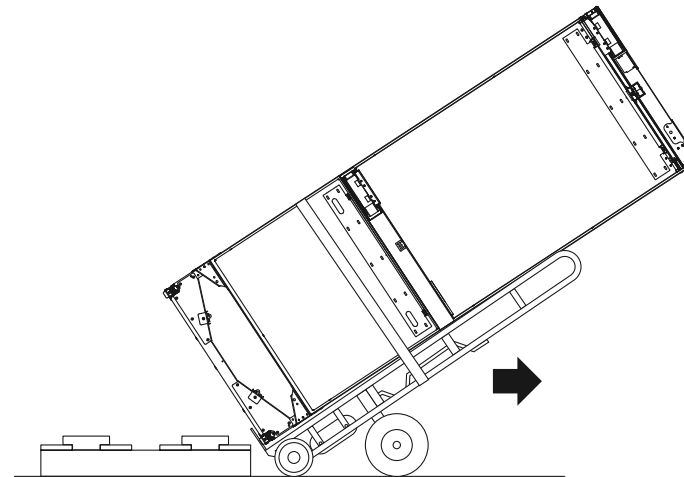
- ① Remove the brackets from the non-hinge side of the pallet.



- ② Tilt the appliance slightly forward and insert the hand truck between pallet and appliance.

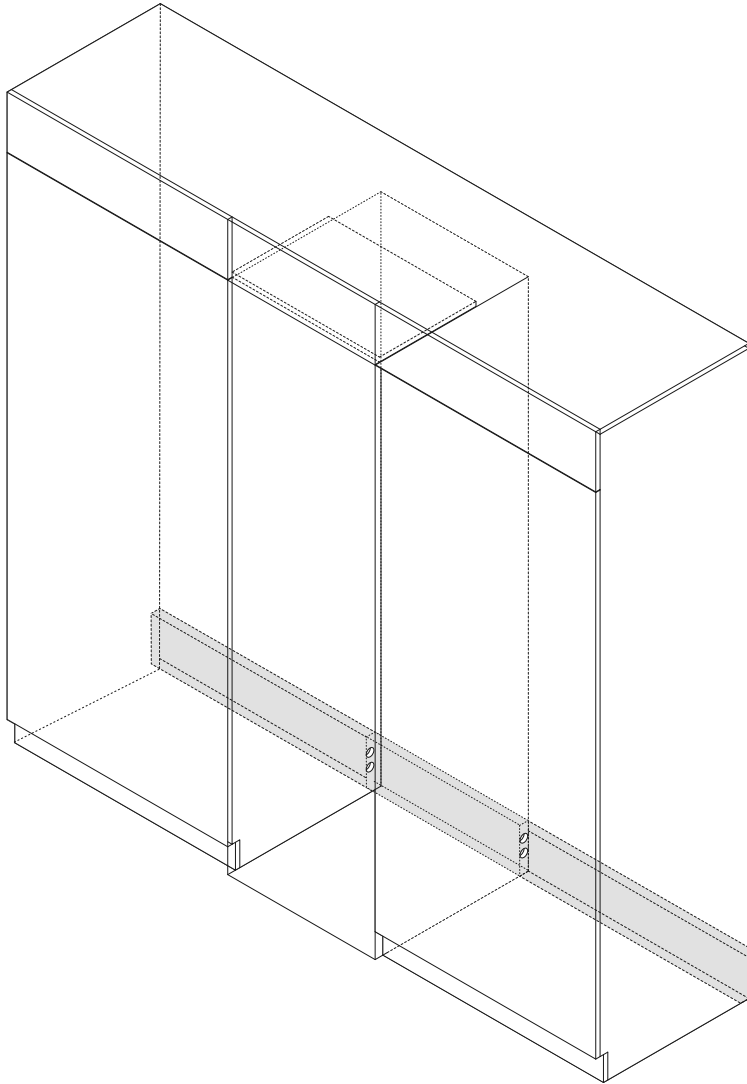


- ③ Restrain the appliance with strap and remove the remaining brackets.



- ④ Tilt backward to load appliance onto hand truck and push to install location.

BEFORE INSTALLATION



Check the cabinetry

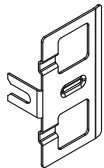
- Check the dimensions of the cabinetry: height, width, depth, floor level, finished alcove returns. Refer to 'Cavity Dimensions' for the correct measurements.

Check the power supply and water connections

- Ensure that there is a separate power socket for each appliance.
- Avoid sharing the power point with other appliances to prevent accidental switching off of the appliance.
- For power requirements, refer to the information on the serial plate.
- Ensure your appliance is properly grounded (earthed).
- Connect your appliance to an electrical supply with the fitted plug and lead.
- If power connection is located behind the appliance, we recommend to install an isolating switch to a location that is easily accessible to the user for repair or disconnection.
- If water connection is behind the appliance, we recommend to connect the hose to exit at an angle if there is not enough clearance between the cabinet wall and back of appliance.
- Follow local codes and ordinances when installing the appliance.

SUPPLIED PARTS

DOOR PANEL ATTACHMENT KIT



Side bracket
(6)



Bracket slider
(6)

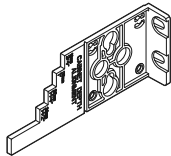


Side spacer bracket
(6)

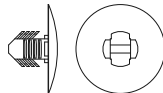


For Custom door panels:
M5x12 Cross-head screw (32)

INSTALL FASTENERS KIT



Depth alignment gauge
(4)

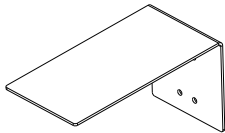


Barbed plug
(2)

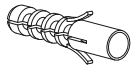


8x16 Countersunk screw
(7)

ANTI-TIP BRACKET ASSEMBLY



Anti-tip bracket
(1)



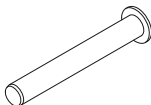
Masonry plug
(4)



10-12x35mm crosshead screw
(5)

MISCELLANEOUS PARTS

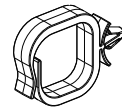
Supplied in separate bags



Hinge limiting pin
(3)



Air toe kick seal
(1)



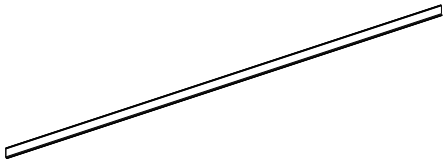
Locking clip
(2)

SUPPLIED PARTS

TRIMS INSTALL KIT (EXTERNAL BOX)



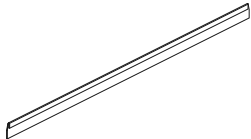
Top door panel side extrusion
(2)



Cabinet side trim
(2)



Bottom drawer panel side extrusion
(2)



Bottom drawer top trim
(1)

MISCELLANEOUS ITEM PACK



User guide
(6)



Installation guide
(1)



Service & Warranty
(1)

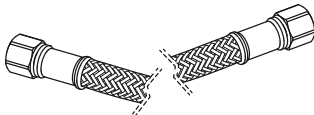
WATER FILTER KIT



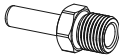
Collet locking clip
(1)



Water filter
(1)

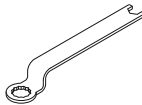


7/16" (11mm) UNS Stainless steel braided hose
(1)

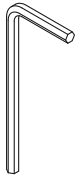


1/4" (6.35mm) Adaptor
(2)

SUPPLIED TOOLS



Door spanner
(1)



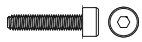
M4 Hex key
(1)

REQUIRED PARTS

INSTALL JOINER KIT

Used for dual or multiple installation of appliances. Can be purchased separately through an authorised Fisher & Paykel dealer. Visit fisherpaykel.com for more information.

Top joiner fastener kit

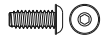


M5x20 Cap screw
(1)



M5x16x1 Plain washer
(1)

Bottom joiner fastener kit



M6x16 Washer screw
(1)



M6x12x3.2 Plastic washer
(1)

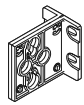


M6 Hex nut
(1)

Top joiner bracket kit



8Gx16 Mush washer screw
(2)



Central spacer
(1)

TOE KICK PANEL

Not supplied and can be purchased separately through an authorised Fisher & Paykel dealer. Visit fisherpaykel.com for more information.

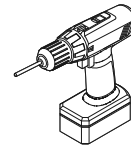


Toe kick panel (1)

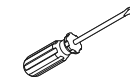
- Standard toe kick height is 102mm for standard stainless steel door panel.
- For Custom door panel installation, a toe kick 2" - 6" (50-152mm) must be fitted and adjusted accordingly.
- An extra bottom grille is required for 2" (50mm) toe kick installation. You can purchase the extra bottom grille (Part No. 847542P) online at fisherpaykel.com.

REQUIRED TOOLS

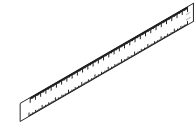
Not supplied and must be provided by the installer.



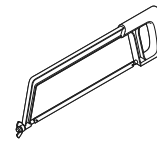
Powered driver



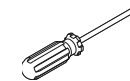
Flathead screwdriver



Ruler



Hacksaw



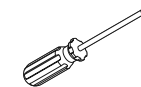
Cross-head screwdriver



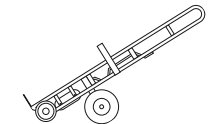
Pencil



Cutter

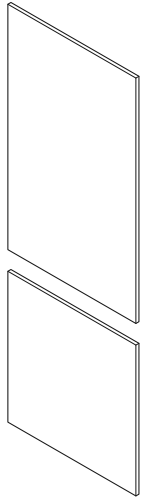


T20 star-head screwdriver



Hand truck

DOOR PANEL SET



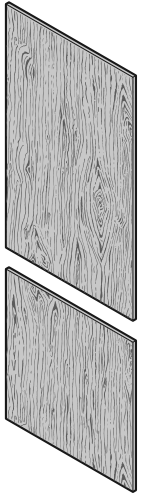
Stainless steel door panel set

Not supplied and must be purchased separately through an authorised Fisher & Paykel dealer. Visit fisherpaykel.com for more information..

MODEL	RH	LH
RS24	CA 25715	CA 25716
RS30	CA 25713	CA 25714



For SS door panels:
8Gx16 Mush washer screw (32)

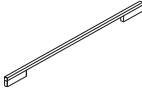

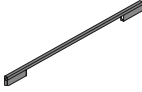

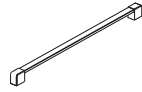

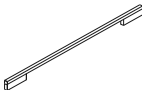

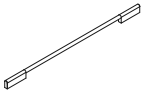

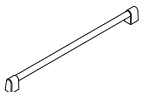

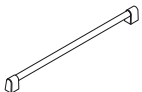



Custom door panel set

Supplied by customers to match their cabinetry.

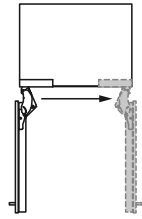
DOOR AND DRAWER HANDLE KITS

Not supplied and must be purchased separately through an authorised Fisher & Paykel dealer. Visit fisherpaykel.com for more information. Select among the handle kit options below:

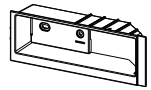
HANDLE KIT		RS24	RS30
 Square fine aluminum handle (1)	 M5x25 Hex screw (4)	CA 25865	CA 25864
 Square fine black handle (1)	 M5x25 Hex screw (4)	CA 25911	CA 25910
 Professional square handle (1)	 M5x25 Hex screw (4)	CA 25732	CA 25724
 Square aluminum handle (1)	 M5x25 Hex screw (4)	CA 25729	CA 25721
 Round aluminum handle (1)	 M5x25 Hex screw (4)	CA 25731	CA 25723
 Professional round handle (1)	 M5x25 Hex screw (4)	CA 25730	CA 25722
 Professional round flush handle (1)	 M5x25 Hex screw (4)	CA 25923	CA 25922

HINGE CHANGE KIT

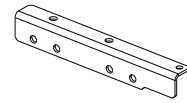
Not supplied and must be purchased separately. Available online at fisherpaykel.com.



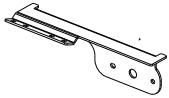
MODEL	LEFT HINGE TO RIGHT HINGE KIT
RS24	CA 848184P
RS30	CA 848184P



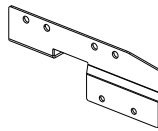
Top hinge pocket RH
(2)



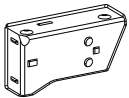
K05 bottom adaptor bracket RH
(1)



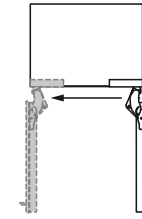
Top alcove bracket RH
(1)



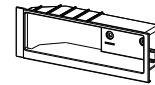
K05 top adaptor bracket RH
(1)



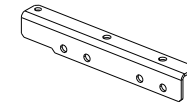
Bottom hinge bracket RH
(1)



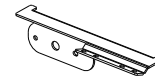
MODEL	RIGHT HINGE TO LEFT HINGE KIT
RS24	CA 848183P
RS30	CA 848183P



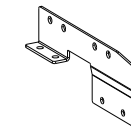
Top hinge pocket LH
(2)



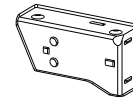
K05 bottom adaptor bracket LH
(1)



Top alcove bracket LH
(1)

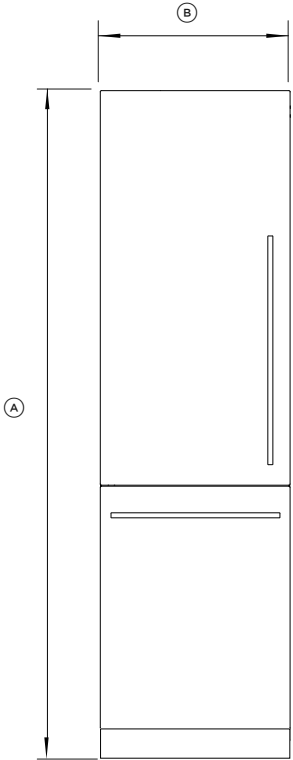


K05 top adaptor bracket LH
(1)

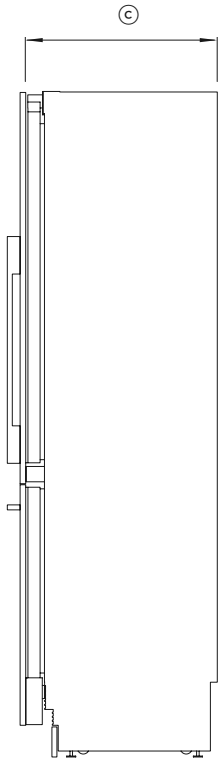


Bottom hinge bracket LH
(1)

PRODUCT DIMENSIONS — RS24 MODEL



FRONT VIEW



PROFILE VIEW

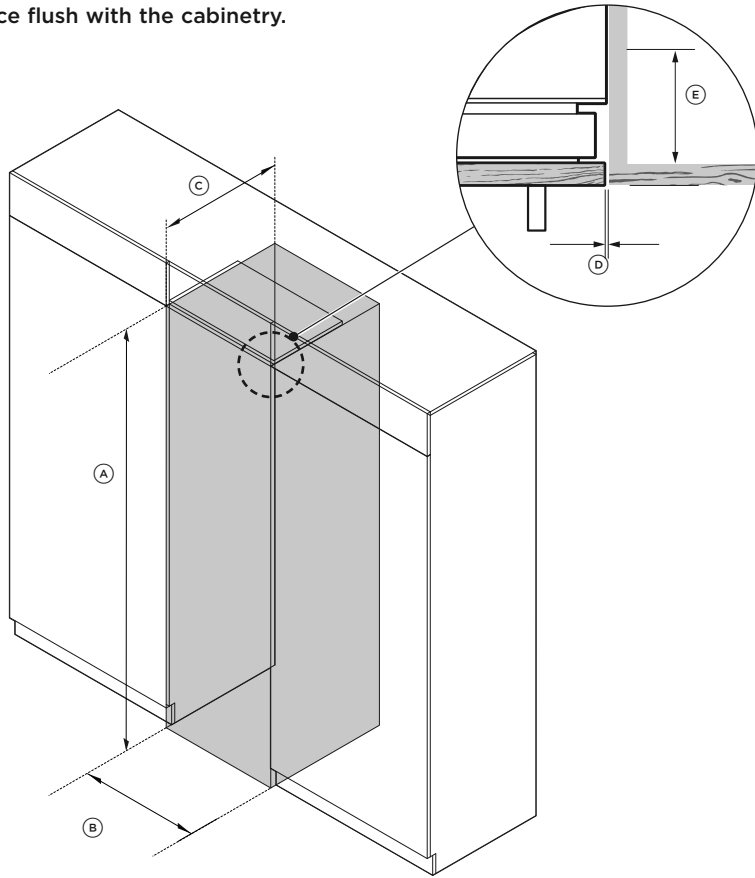
PRODUCT DIMENSIONS	IN	MM
Ⓐ Overall height of product	84	2134
Ⓑ Overall width of product	23 3/4	603
Ⓒ Overall depth of product (excluding front door panel)	24	610

PRODUCT WEIGHT	LBS	KG
Weight (with packaging)	357	162
Weight (without packaging)	313	142

CAVITY DIMENSIONS — RS24 MODEL

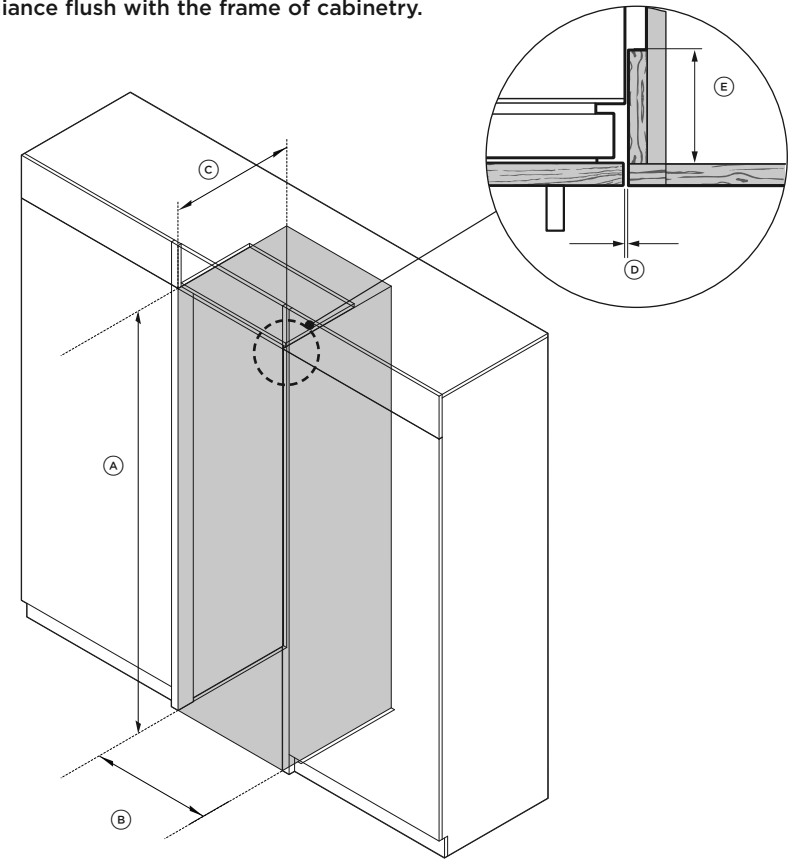
FRAMELESS CABINETRY

Aligns appliance flush with the cabinetry.



FRAMED CABINETRY

Aligns appliance flush with the frame of cabinetry.



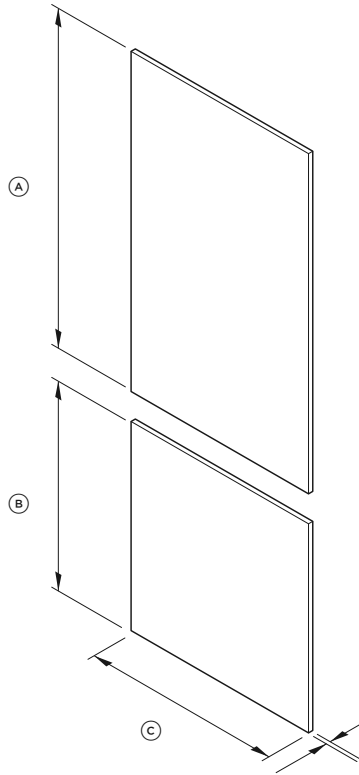
DIMENSIONS

	IN	MM
Ⓐ Overall height of cavity	84	2134
Ⓑ Overall width of cavity	24	610
Ⓒ Minimum overall depth of cavity*	25	635
Ⓓ Minimum cabinetry gap clearance from edge of door panels	1/8"	3
Ⓔ Minimum required finished return	4"	102

* Assumes a door panel thickness of 3/4" (19mm).

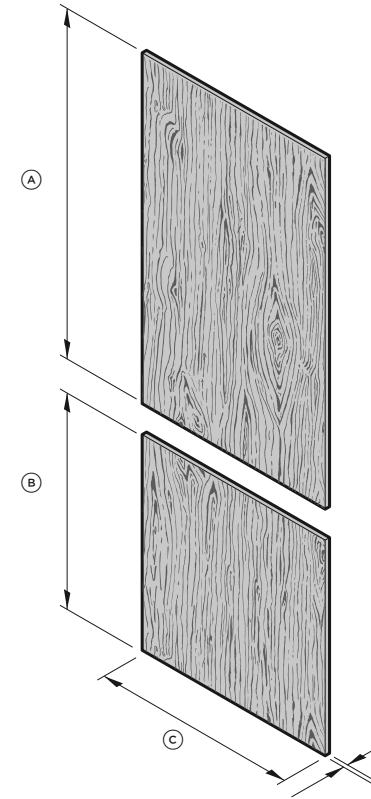
DOOR PANEL DIMENSIONS – RS24 MODEL

STAINLESS STEEL PANEL



DIMENSIONS	IN	MM
Ⓐ Height of top door panel	49 3/8	1254
Ⓑ Height of bottom drawer panel	30 3/8	772
Ⓒ Width of door/drawer panel	23 3/4	603
Ⓓ Depth of door panel (excluding door handle)	3/4	19
DOOR PANEL WEIGHT	LBS	KG
Weight of top door panel*	20	9
Weight of bottom drawer panel*	13	6

CUSTOM PANEL



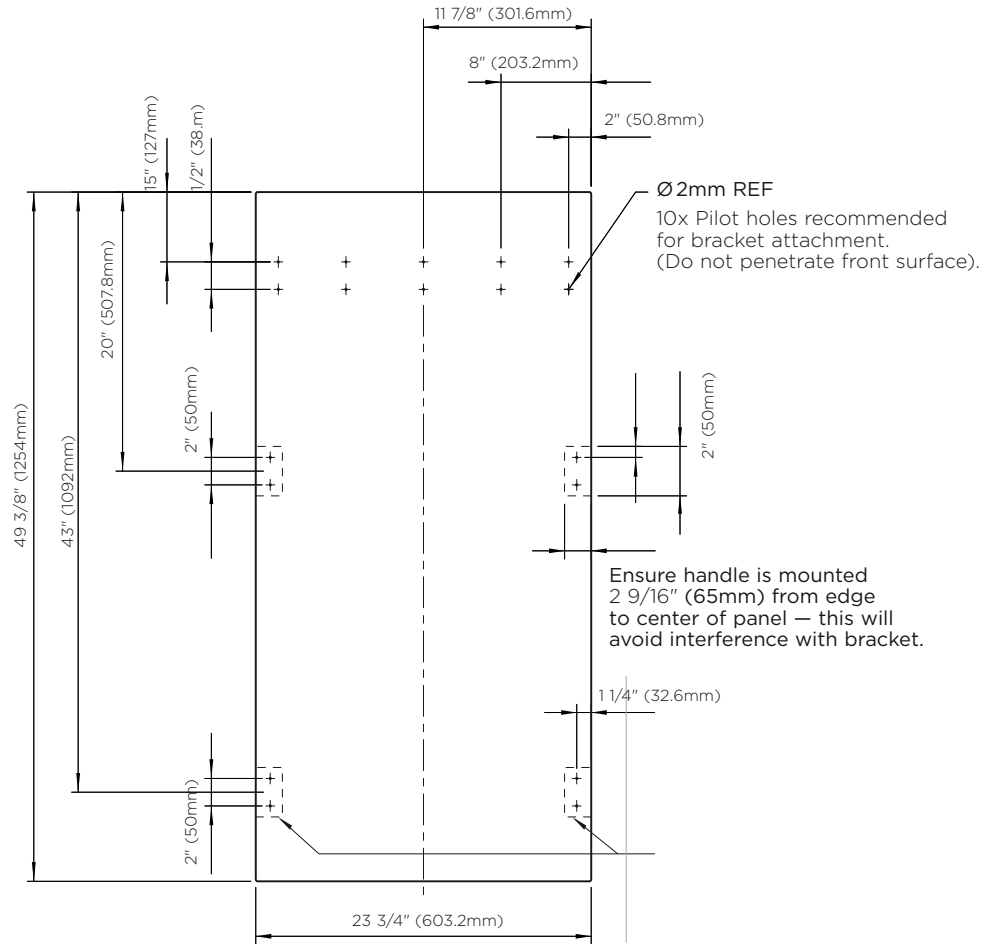
DIMENSIONS	IN	MM
Ⓐ Height of top door panel	49 3/8	1254
Ⓑ Height of bottom drawer panel	30 3/8	772
Ⓒ Width of door/drawer panel	23 3/4	603
Ⓓ Depth of door panel (excluding door handle)	min 5/8 max 1	min 16 max 25
DOOR PANEL WEIGHT	LBS	KG
Weight of top door panel	max 34	max 15 1/2
Weight of bottom drawer panel	max 21	max 9 1/2

* Maximum panel weight must not be exceeded.

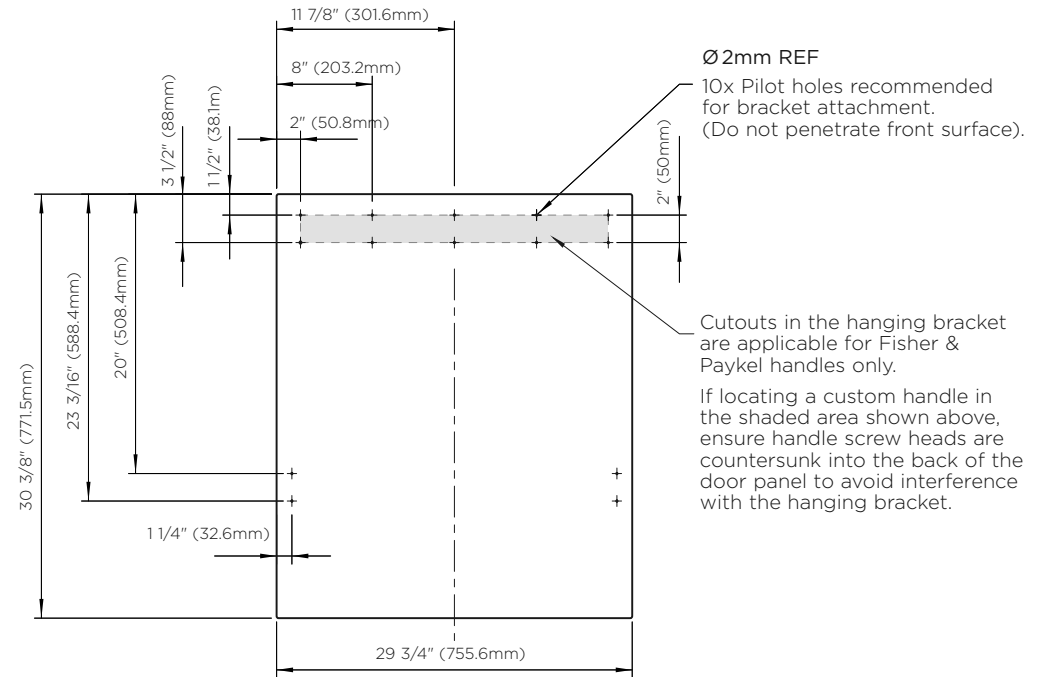
CUSTOM DOOR PANEL INSTALL DIMENSIONS – RS24 MODEL

Dimensions apply for the preparation and installation of Custom door panels. For Dwg and Dxf files of the below panel preparation download the folder on thekitchentools.fisherpaykel.com.

- The thickness of the custom door panel can vary provided that the screws do not penetrate beyond the full depth of the door panel.
- Measurements of screw hole locations can vary depending on the height of toe kick 50-152mm.



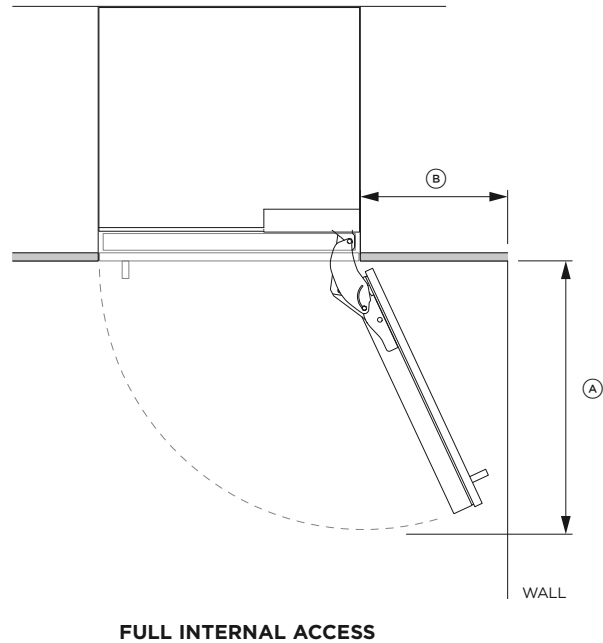
TOP PANEL – REAR VIEW



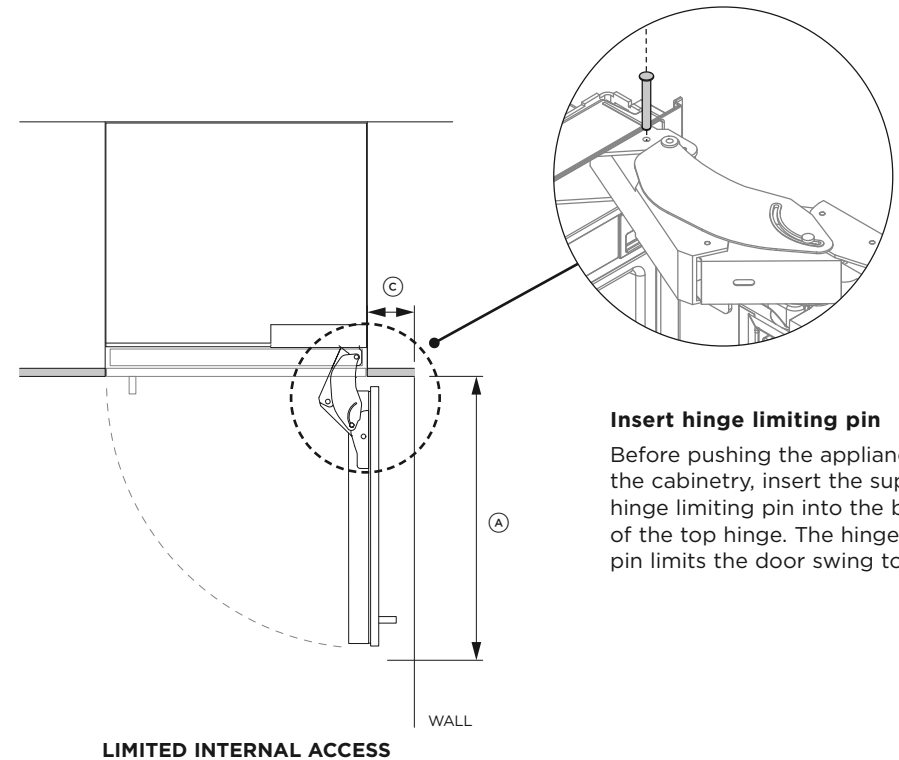
BOTTOM PANEL – REAR VIEW

DOOR CLEARANCE — RS24 MODEL

115° DOOR OPENING



90° DOOR OPENING

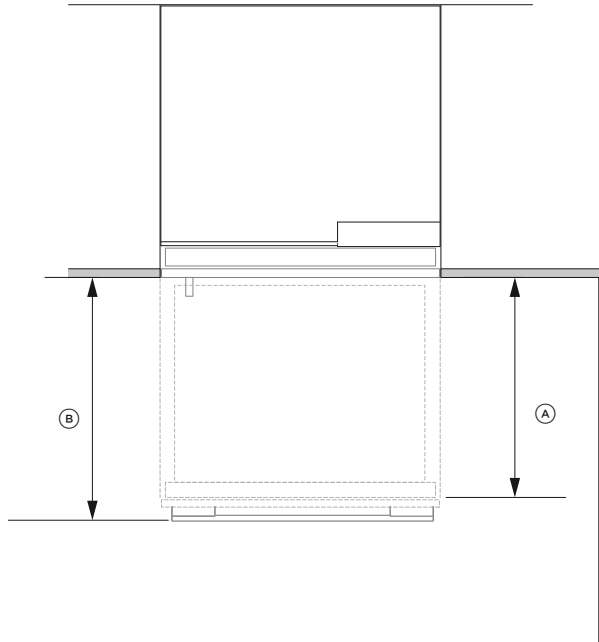


Insert hinge limiting pin

Before pushing the appliance into the cabinetry, insert the supplied hinge limiting pin into the borehole of the top hinge. The hinge limiting pin limits the door swing to 90°.

DIMENSIONS	IN	MM
Ⓐ Width of door (90° open) measured from front of door	26	660
Ⓑ Minimum door clearance* to adjacent wall** (115° — full internal access)	14	356
Ⓒ Minimum door clearance* to adjacent wall** (90° — reduced internal access)	4 5/16	110

DRAWER CLEARANCE — RS24 MODEL

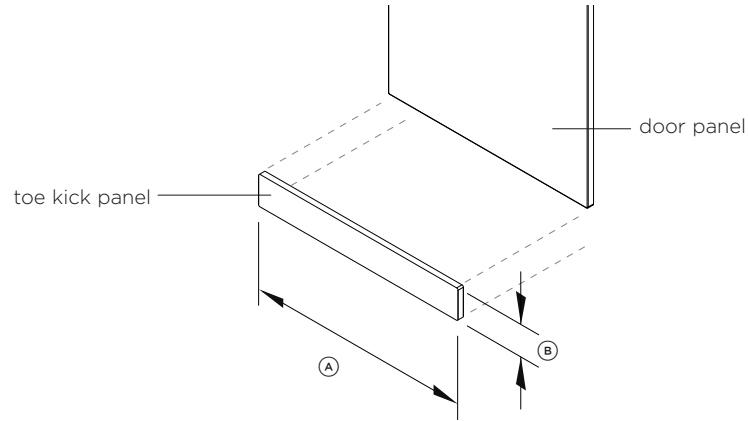


DIMENSIONS	IN	MM
Ⓐ Maximum drawer extension when open (excluding handle)	15 3/4	400
Ⓑ Maximum drawer extension when open (including handle)	18 1/8	461

TOE KICK DIMENSIONS – RS24 MODEL

STAINLESS STEEL TOE KICK PANEL

Can be purchased separately through an authorised Fisher & Paykel dealer. Visit fisherpaykel.com for more information.

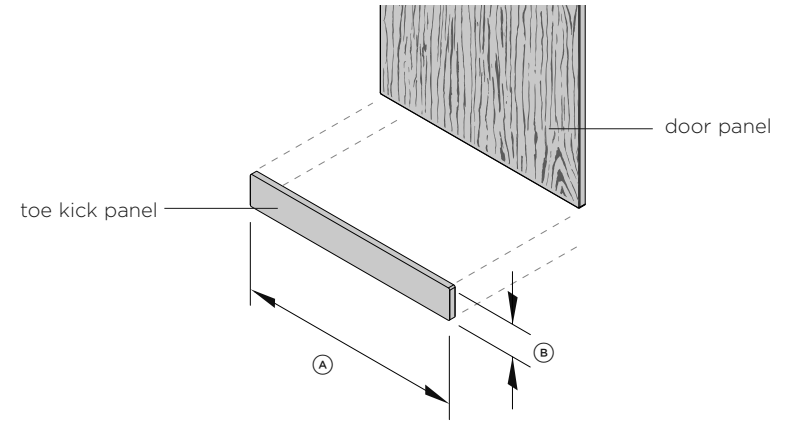


TOE KICK PANEL (CA 25390)

DIMENSIONS	IN	MM
Ⓐ Width of toe kick	23 7/8	606
Ⓑ Height of toe kick	4	102

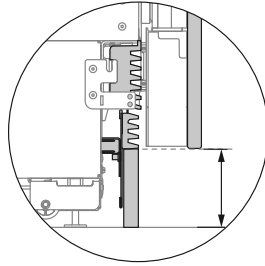
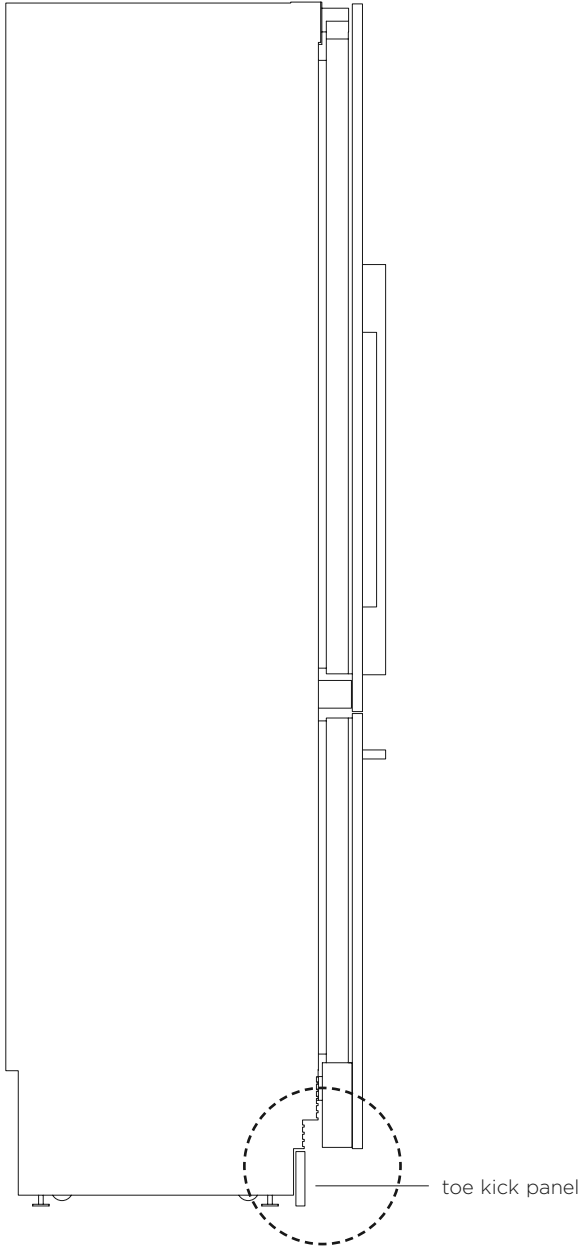
CUSTOM PANEL TOE KICK PANEL

For Custom door panel installation, a custom toe kick 2" - 6" (50 - 152mm) can be manufactured and fitted by cabinetmaker. The Custom door panel height needs to be adjusted accordingly. Extra lower grilles are required for a 2" (50mm) toe kick installation.

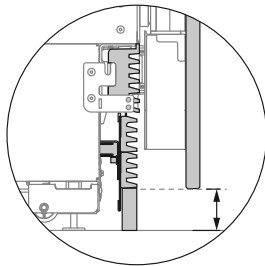


DIMENSIONS	IN	MM
Ⓐ Width of toe kick	23 7/8	606
Ⓑ Height of toe kick*	min 2 - max 6	min 51 - max 152

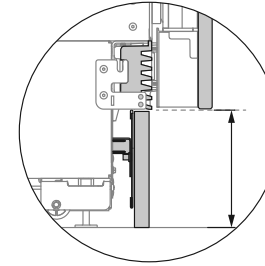
TOE KICK INSTALL OPTIONS



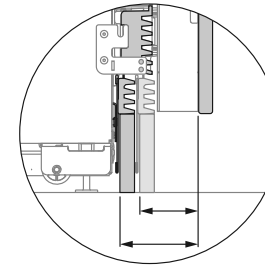
Standard toe kick height is 4" (102mm) with Stainless steel door panel.



For custom toe kick with 2" (50mm) height (extra lower grille attached).

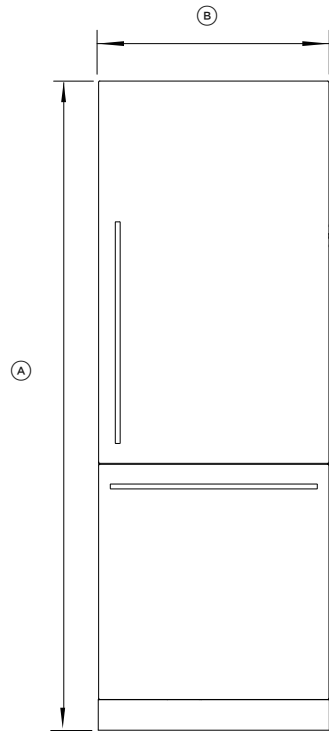


For custom toe kick with 6" (152mm) height.

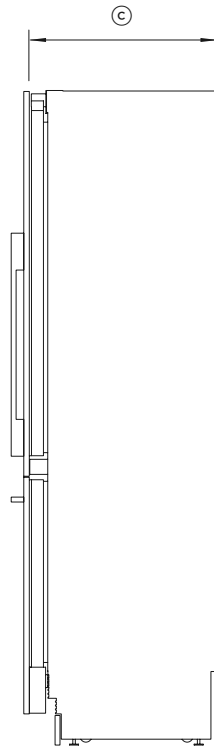


Min 2 7/8" (73mm) - max 4" (102mm) toe kick depth measured from rear of door panel

PRODUCT DIMENSIONS — RS30 MODEL



FRONT VIEW



PROFILE VIEW

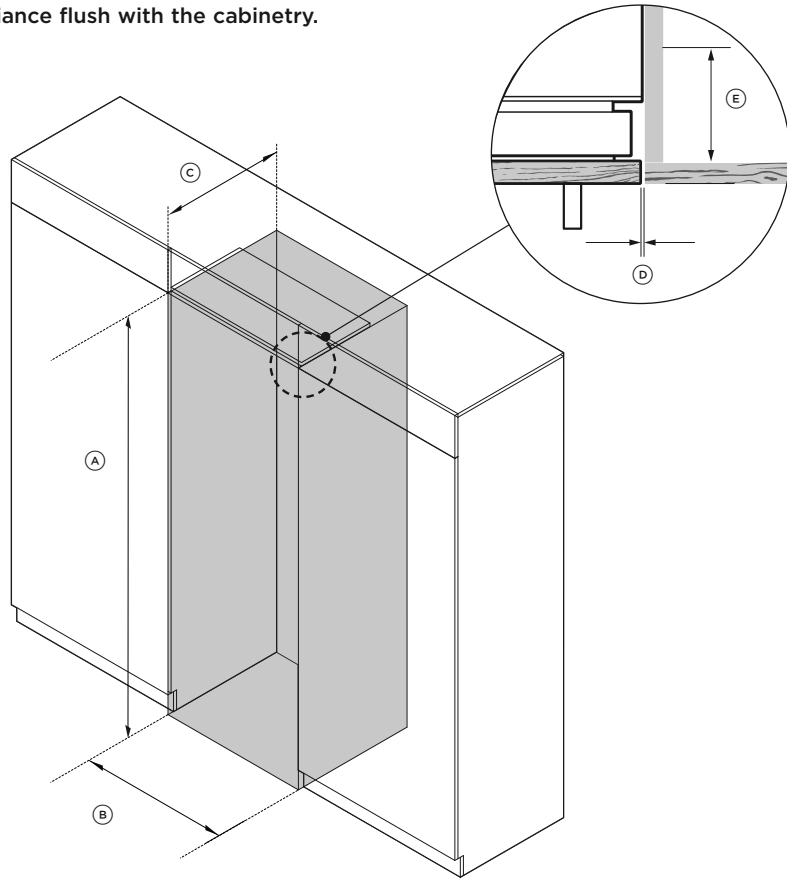
PRODUCT DIMENSIONS	IN	MM
Ⓐ Overall height of product	84	2134
Ⓑ Overall width of product	29 3/4	756
Ⓒ Overall depth of product (excluding front door panel)	24	610

PRODUCT WEIGHT	LBS	KG
Weight (with packaging)	406	184
Weight (without packaging)	357	162

CAVITY DIMENSIONS — RS30 MODEL

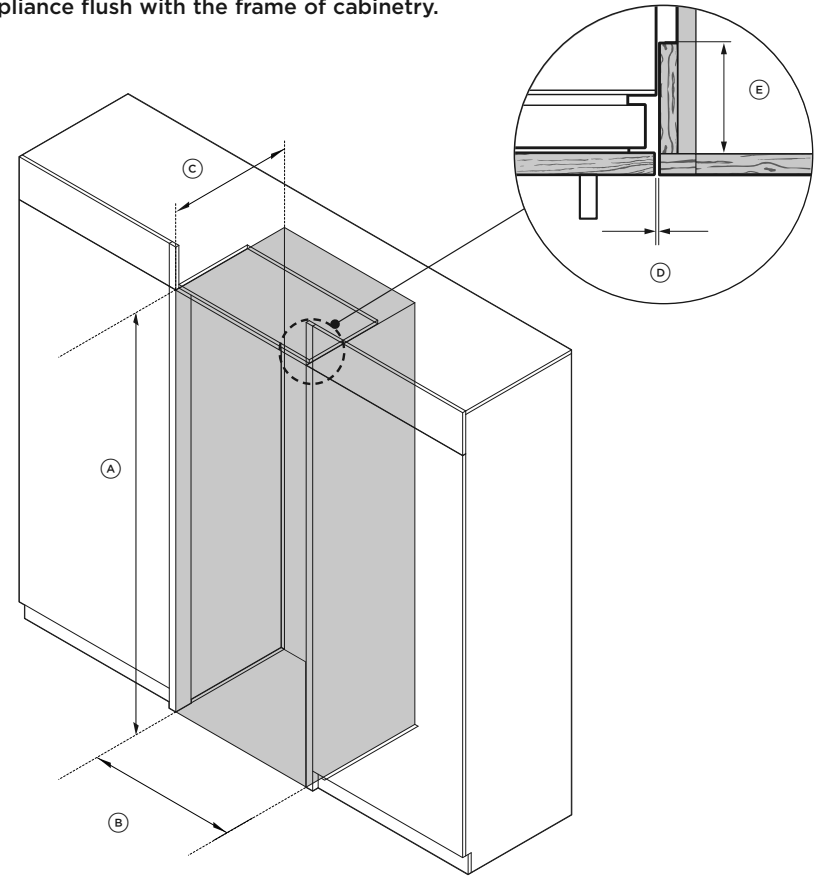
FRAMELESS CABINETRY

Aligns appliance flush with the cabinetry.



FRAMED CABINETRY

Aligns appliance flush with the frame of cabinetry.

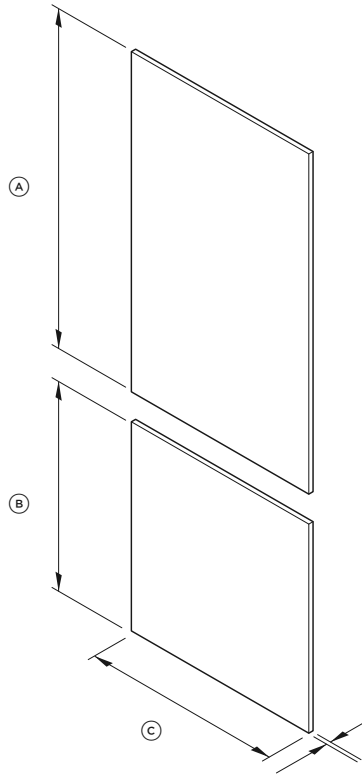


DIMENSIONS	IN	MM
① Overall height of cavity	84	2134
② Overall width of cavity	30	762
③ Minimum overall depth of cavity*	25	635
④ Minimum cabinetry gap clearance from edge of door panels	1/8"	3
⑤ Minimum required finished return	4"	102

* Assumes a door panel thickness of 3/4" (19mm).

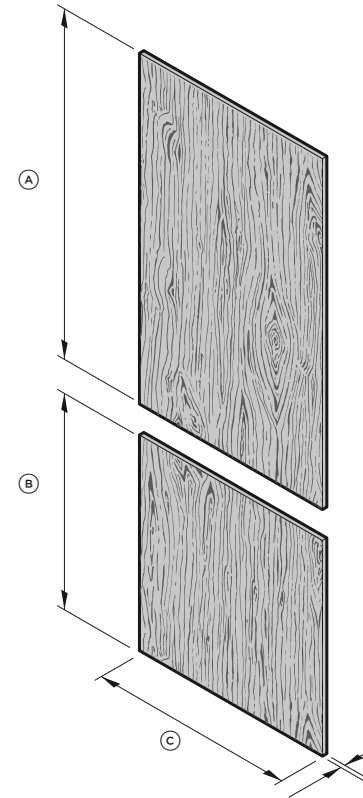
DOOR PANEL DIMENSIONS – RS30 MODEL

STAINLESS STEEL PANEL



DIMENSIONS	IN	MM
Ⓐ Height of top door panel	49 3/8	1254
Ⓑ Height of drawer door panel	30 3/8	772
Ⓒ Width of door panel	29 3/4	756
Ⓓ Depth of door panel (excluding door handle)	3/4	19
DOOR PANEL WEIGHT	LBS	KG
Weight of top door	22	10
Weight of bottom drawer door	15	7

CUSTOM PANEL

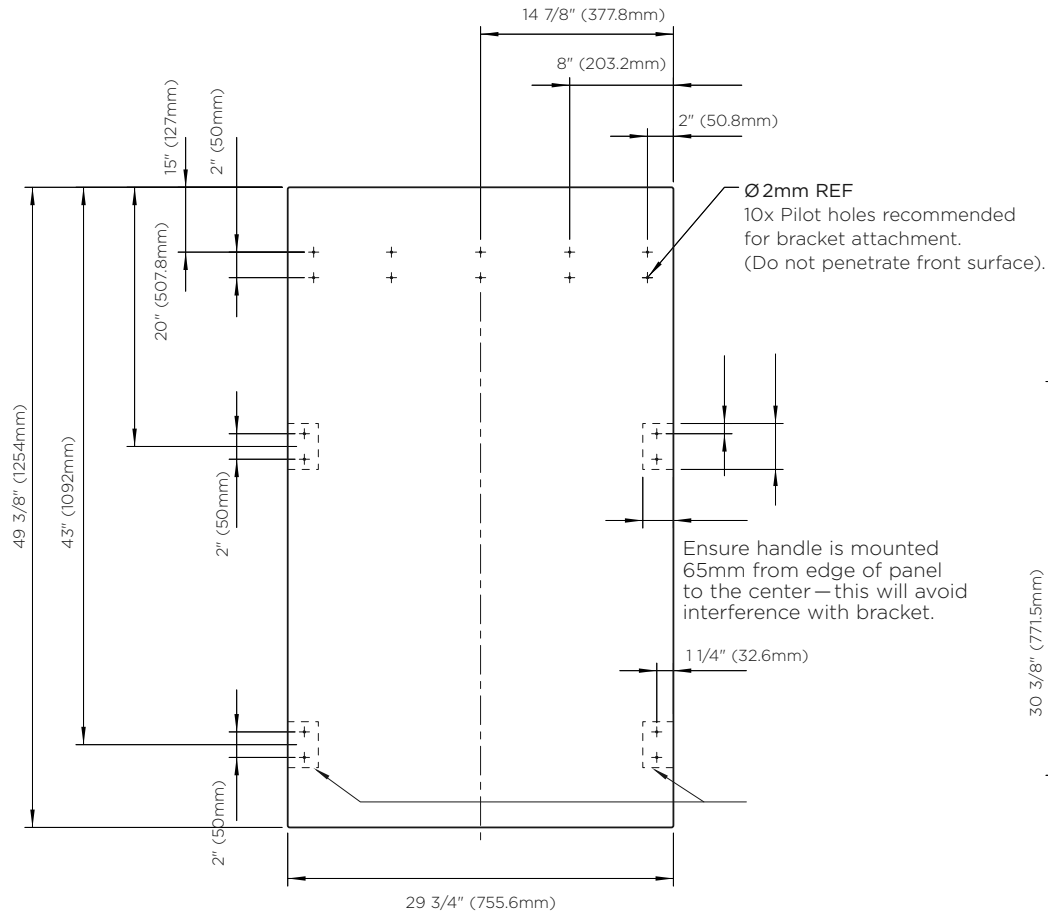


DIMENSIONS	IN	MM
Ⓐ Height of top door panel	49 3/8	1254
Ⓑ Height of drawer door panel	30 3/8	772
Ⓒ Width of door panel	29 3/4	756
Ⓓ Depth of door panel (excluding door handle)	min 5/8 max 1	min 16 max 25
DOOR PANEL WEIGHT	LBS	KG
Weight of top door	max 41	max 18 1/2
Weight of bottom drawer door	max 25	max 11 1/2

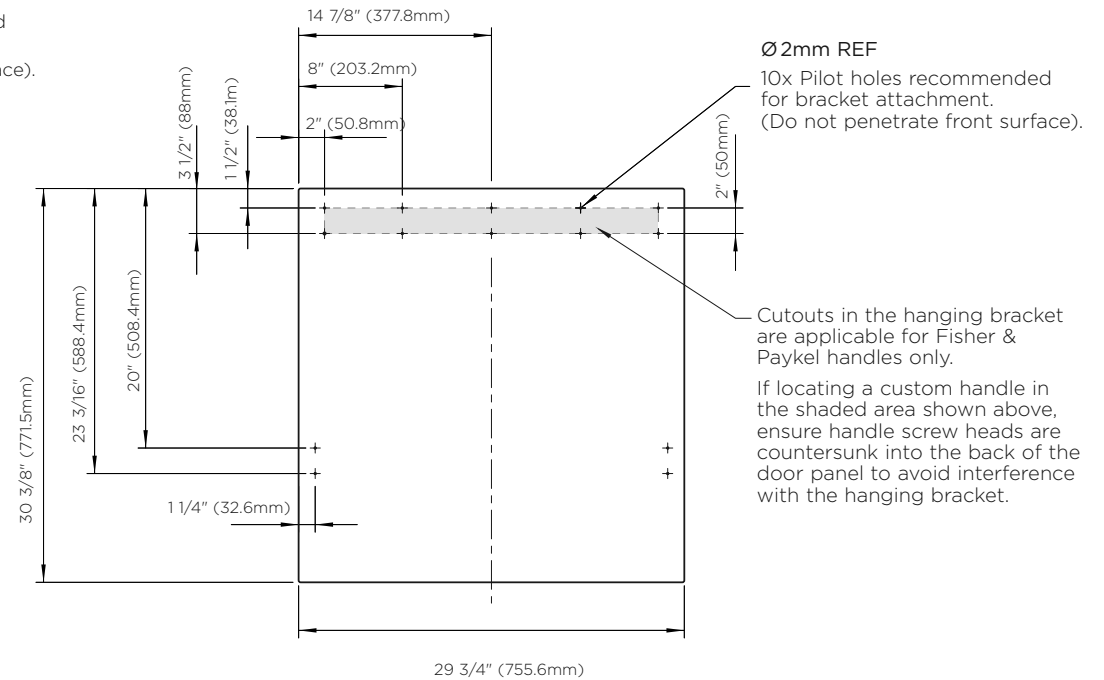
CUSTOM DOOR PANEL INSTALL DIMENSIONS – RS30 MODEL

Dimensions apply for the preparation and installation of Custom door panels. For Dwg and Dxf files of the below panel preparation download the folder on thekitchentools.fisherpaykel.com.

- The thickness of the custom door panel can vary provided that the screws do not penetrate beyond the full depth of the door panel.
- Measurements of screw hole locations can vary depending on the height of toe kick 50–152mm.



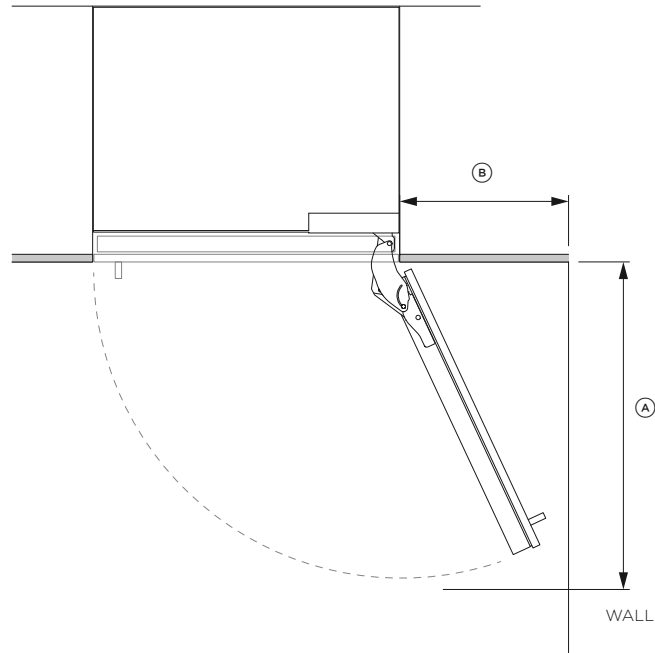
TOP PANEL—REAR VIEW



BOTTOM PANEL—REAR VIEW

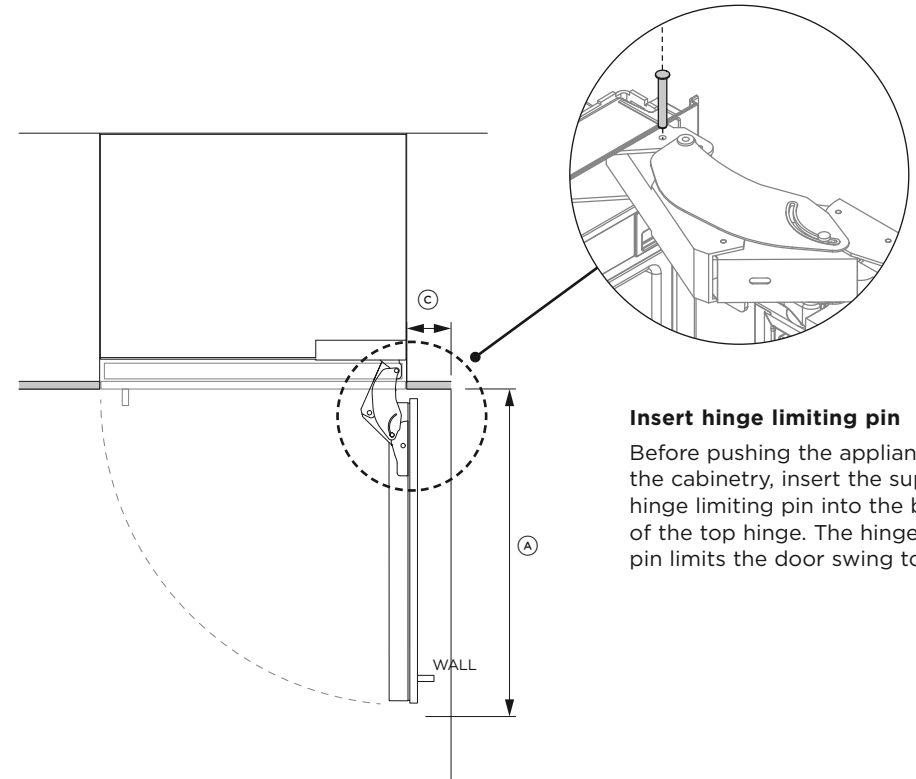
DOOR CLEARANCE — RS30 MODEL

115° DOOR OPENING



FULL INTERNAL ACCESS

90° DOOR OPENING



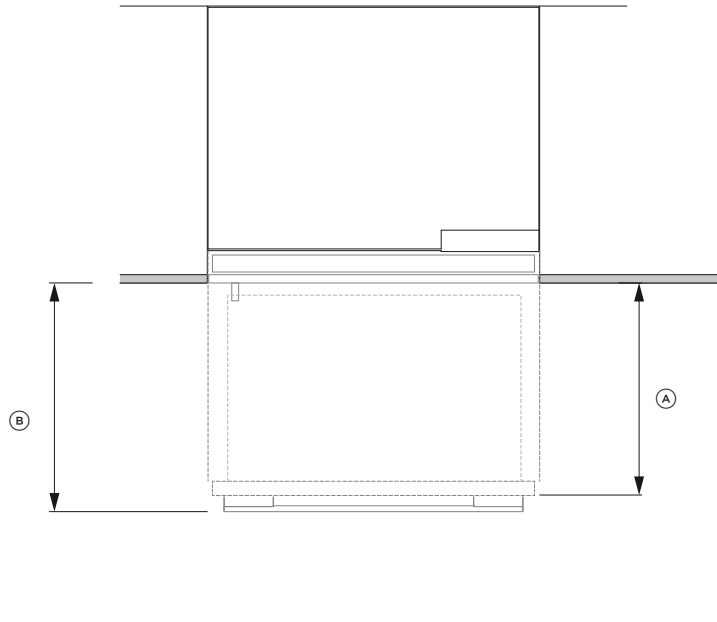
Insert hinge limiting pin

Before pushing the appliance into the cabinetry, insert the supplied hinge limiting pin into the borehole of the top hinge. The hinge limiting pin limits the door swing to 90°.

LIMITED INTERNAL ACCESS

DIMENSIONS	IN	MM
Ⓐ Width of door (90° open) measured from front of door	32	813
Ⓑ Minimum door clearance* to adjacent wall** (115° — full internal access)	16 1/2	419
Ⓒ Minimum door clearance* to adjacent wall** (90° — reduced internal access)	4 5/16	110

DRAWER CLEARANCE — RS30 MODEL

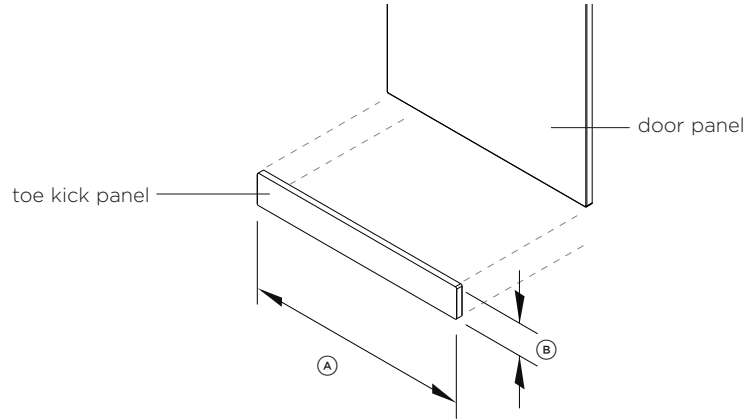


DIMENSIONS	IN	MM
Ⓐ Maximum drawer extension when open (excluding handle)	15 3/4	400
Ⓑ Maximum drawer extension when open (including handle)	18 1/8	461

TOE KICK DIMENSIONS – RS30 MODEL

STAINLESS STEEL TOE KICK PANEL

Can be purchased separately through an authorised Fisher & Paykel dealer. Visit fisherpaykel.com for more information.

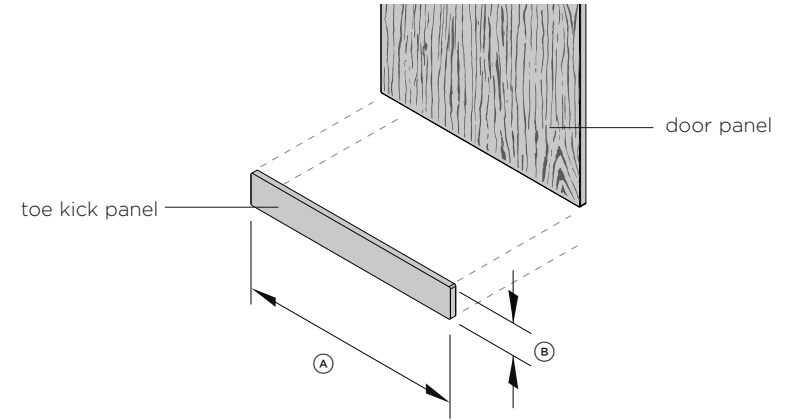


TOE KICK PANEL (CA 25392)

DIMENSIONS	IN	MM
Ⓐ Width of toe kick	29 7/8	759
Ⓑ Height of toe kick	4	102

CUSTOM PANEL TOE KICK PANEL

For Custom door panel installation, a custom toe kick 2" – 6" (50 – 152mm) can be manufactured and fitted by cabinetmaker. The Custom door panel height needs to be adjusted accordingly. Extra lower grilles are required for a 2" (50mm) toe kick installation.



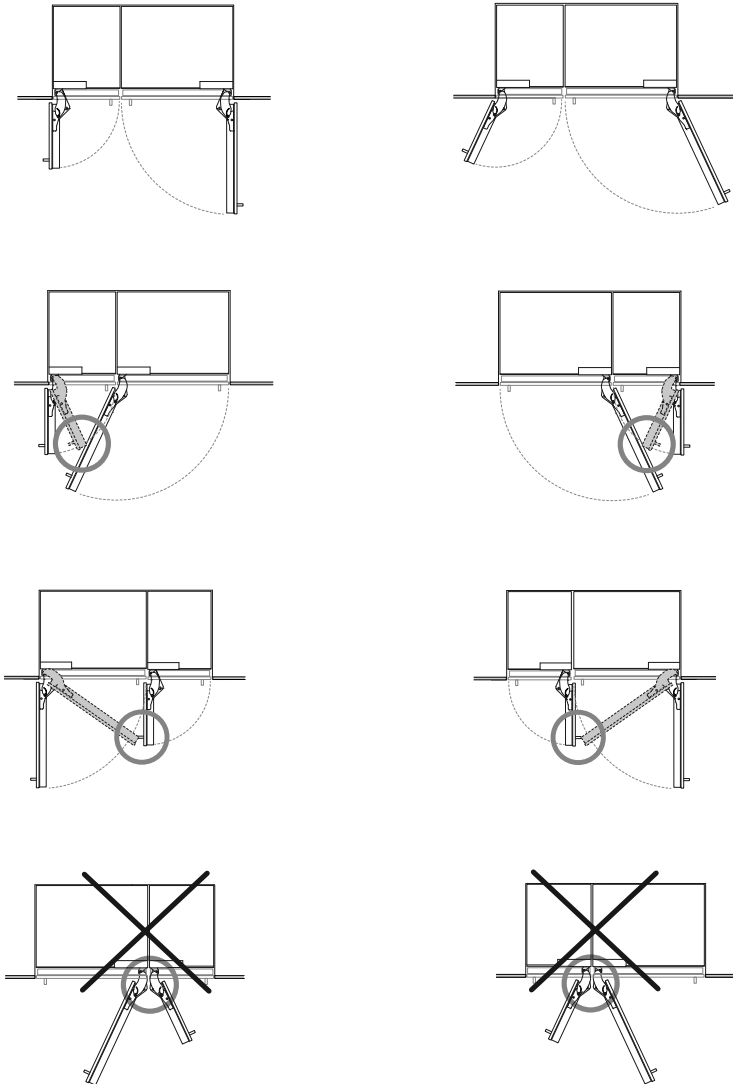
DIMENSIONS	IN	MM
Ⓐ Width of toe kick	29 7/8	759
Ⓑ Height of toe kick*	2-6	51 - 152

DUAL INSTALL OPTIONS

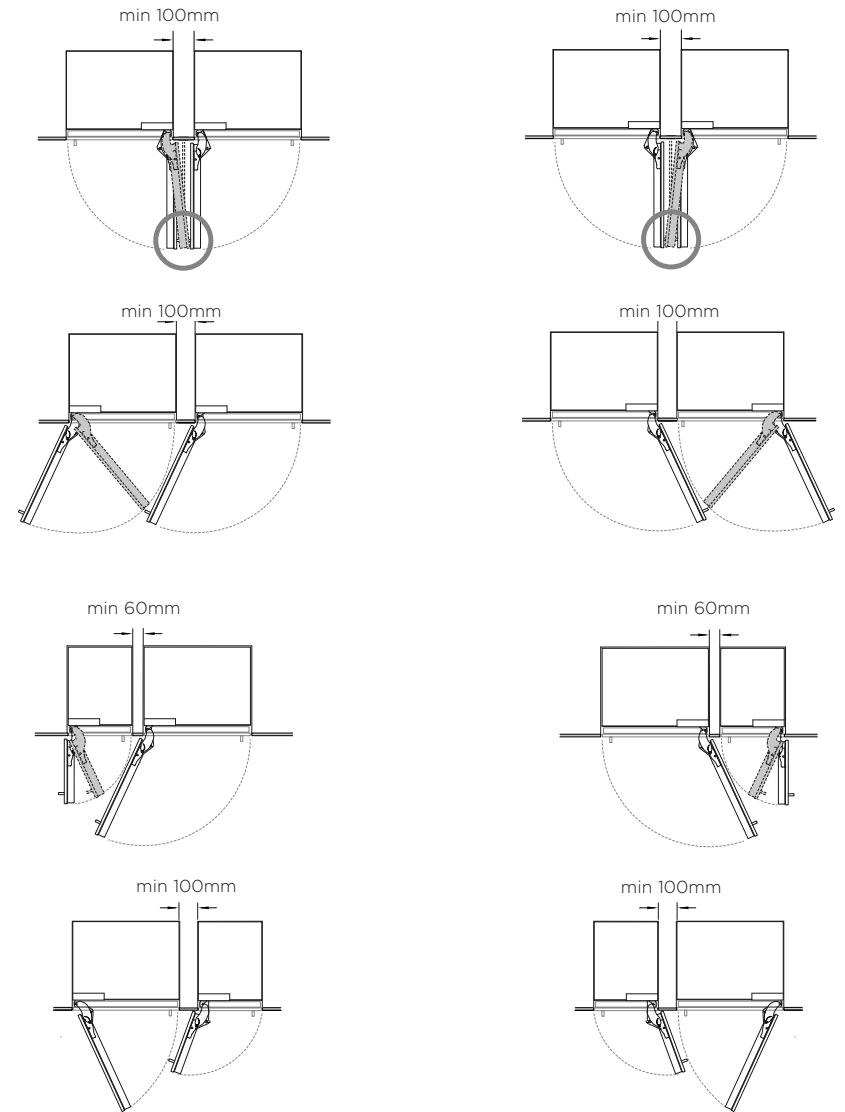
The following are options for dual/multiple installation with reference to the door opening range and partition (optional) between two appliance combinations.

- Beware of clashing (circled) when opening the doors. Use a hinge limiting pin to restrict door opening rotation to 90°. Refer to 'Door Clearance' for more information.
- If installing a partition between two appliances, it must have enough clearance to ensure the doors/handles do not interfere with one another when opening or closing.

NO PARTITION



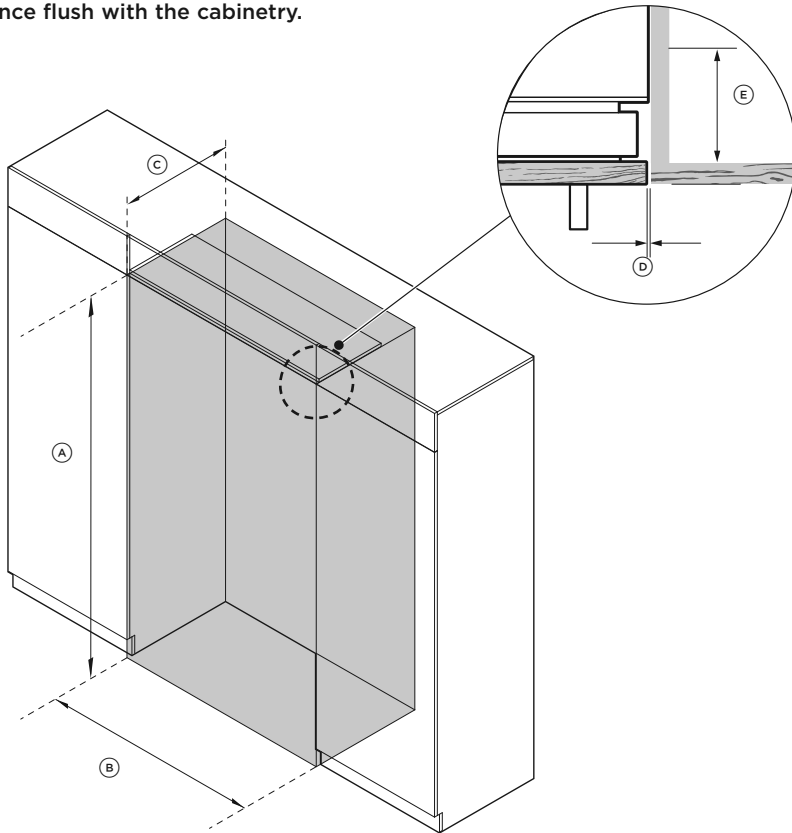
WITH PARTITION



CAVITY DIMENSIONS — RS24 + RS24 DUAL INSTALL

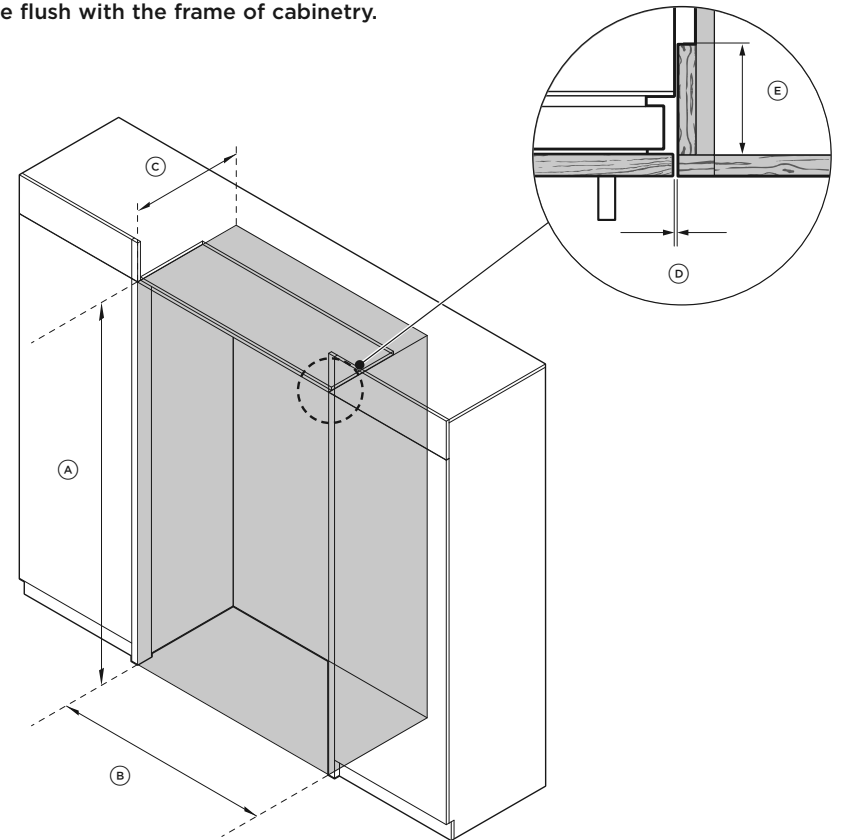
FRAMELESS CABINETRY

Aligns appliance flush with the cabinetry.



FRAMED CABINETRY

Aligns appliance flush with the frame of cabinetry.



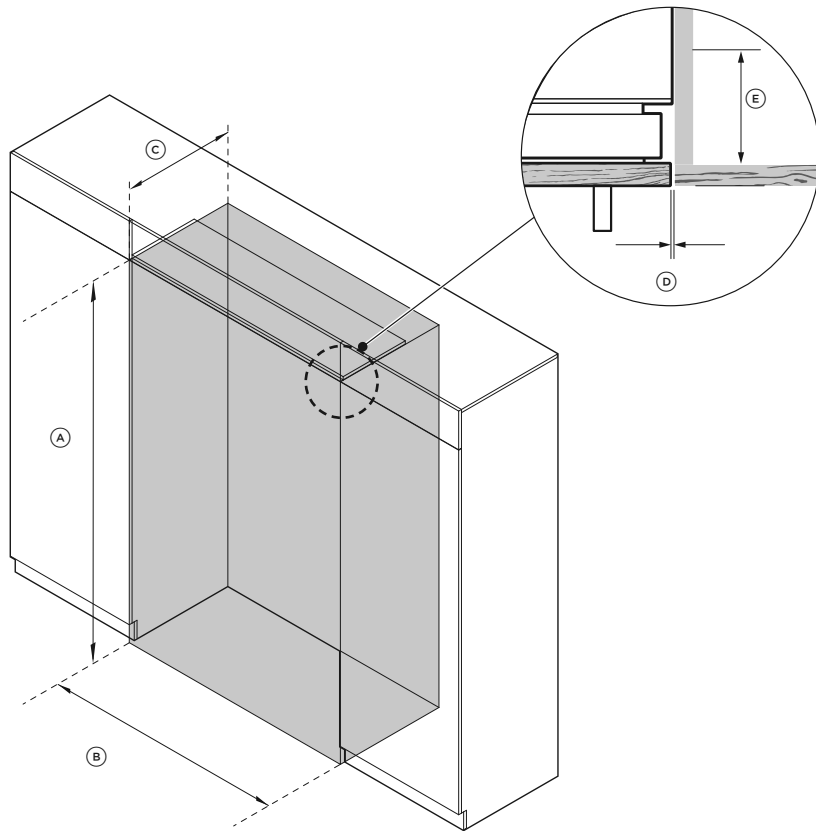
DIMENSIONS	IN	MM
(A) Overall height of cavity	84	2134
(B) Overall width of cavity	48	1219
(C) Minimum overall depth of cavity*	25	635
(D) Minimum cabinetry gap clearance from edge of door panels	1/8"	3
(E) Minimum required finished return	4"	102

* Assumes a door panel thickness of 3/4" (19mm).

CAVITY DIMENSIONS — RS24 + RS30 DUAL INSTALL

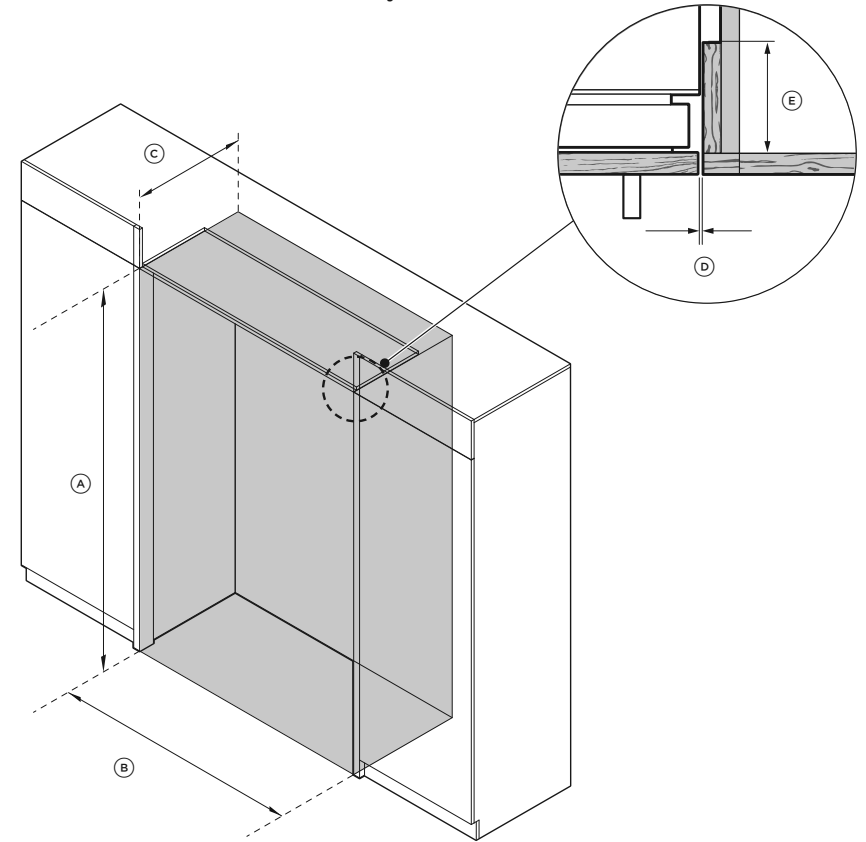
FRAMELESS CABINETRY

Aligns appliance flush with the cabinetry.



FRAMED CABINETRY

Aligns appliance flush with the frame of cabinetry.



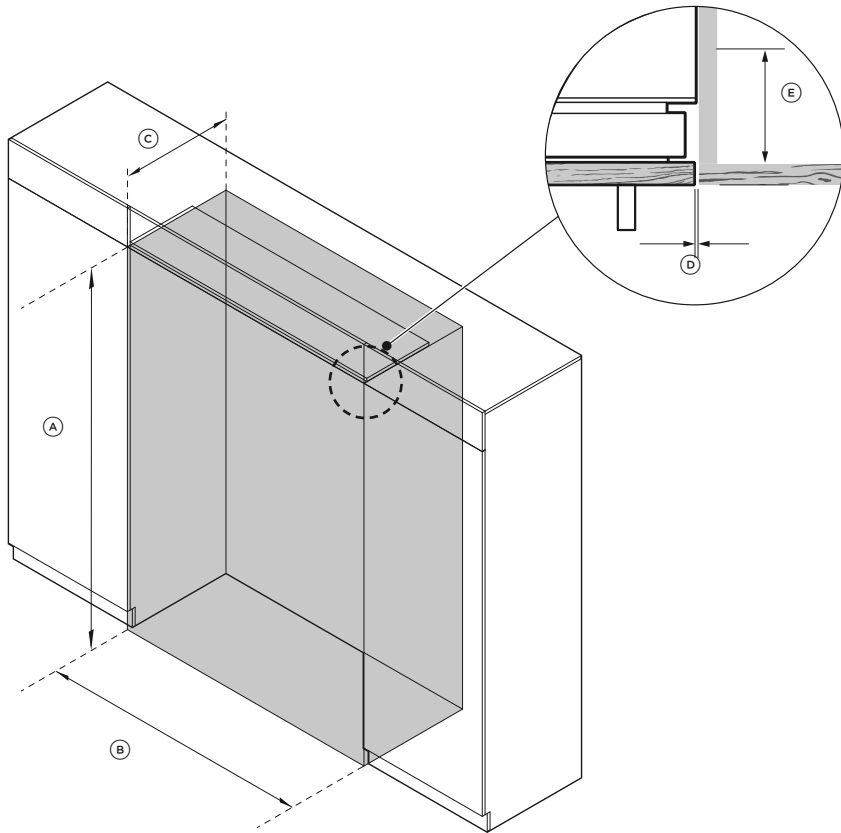
DIMENSIONS	IN	MM
Ⓐ Overall height of cavity	84	2134
Ⓑ Overall width of cavity	54	1372
Ⓒ Minimum overall depth of cavity*	25	635
Ⓓ Minimum cabinetry gap clearance from edge of door panels	1/8"	3
Ⓔ Minimum required finished return	4"	102

* Assumes a door panel thickness of 3/4" (19mm).

CAVITY DIMENSIONS — RS30 + RS30 DUAL INSTALL

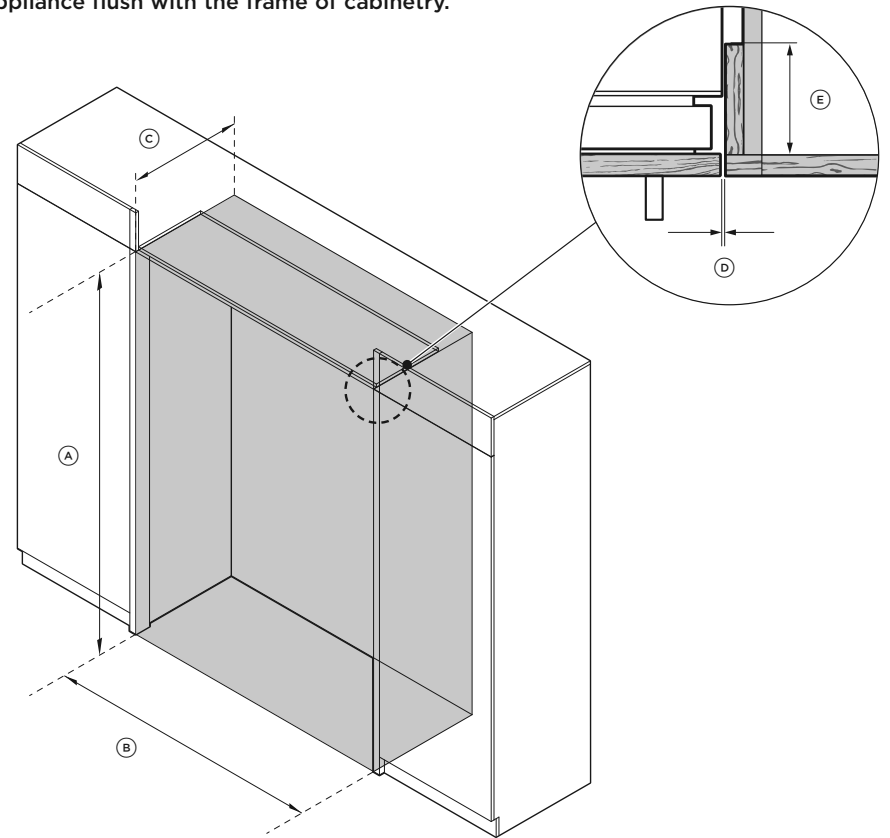
FRAMELESS CABINETRY

Aligns appliance flush with the cabinetry.



FRAMED CABINETRY

Aligns appliance flush with the frame of cabinetry.

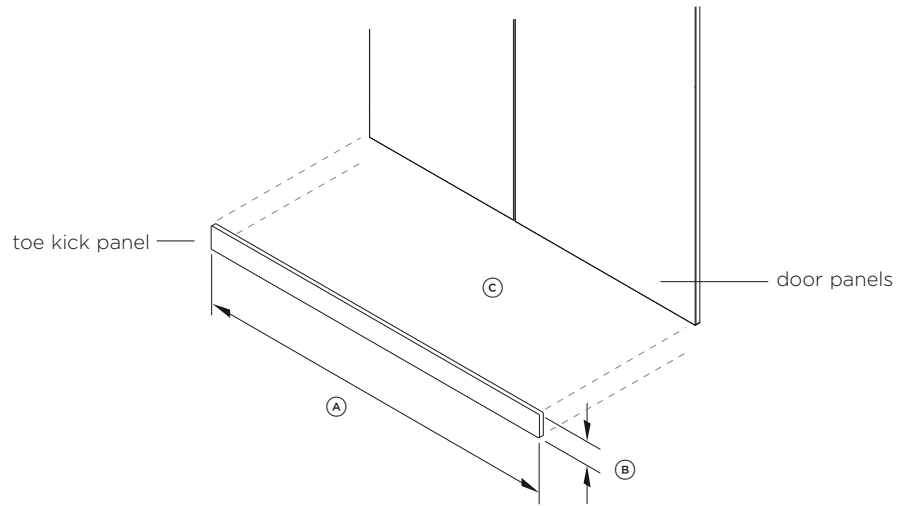


DIMENSIONS	IN	MM
Ⓐ Overall height of cavity	84	2134
Ⓑ Overall width of cavity	60	1524
Ⓒ Minimum overall depth of cavity*	25	635
Ⓓ Minimum cabinetry gap clearance from edge of door panels	1/8"	3
Ⓔ Minimum required finished return	4"	102

* Assumes a door panel thickness of 3/4" (19mm).

TOE KICK PANEL DIMENSIONS – DUAL INSTALL

STAINLESS STEEL PANEL



TOE KICK PANEL (CA 25396)

RS24 + RS24 MODELS

DIMENSIONS	IN	MM
(A) Width of toe kick	47 7/8	1216
(B) Height of toe kick	4	102

TOE KICK PANEL (CA 25398)

RS24 + RS30 MODELS

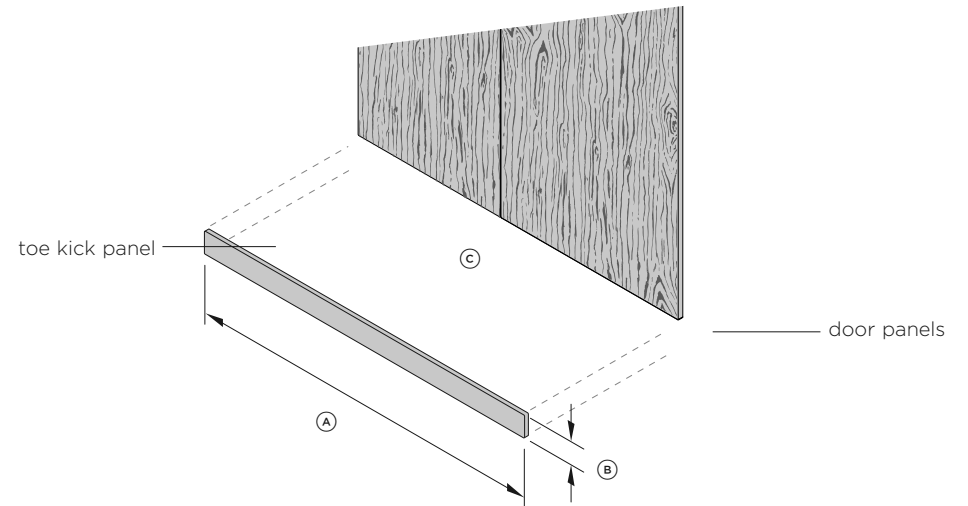
DIMENSIONS	IN	MM
(A) Width of toe kick	53 7/8	1368
(B) Height of toe kick	4	102

TOE KICK PANEL (CA 25400)

RS30 + RS30 MODELS

DIMENSIONS	IN	MM
(A) Width of toe kick	59 7/8	1521
(B) Height of toe kick	4	102

CUSTOM PANEL



RS24 + RS24 MODELS

DIMENSIONS	IN	MM
(A) Width of toe kick	47 7/8	1216
(B) Height of toe kick*	min 2 - max 6	min 51 - max 152

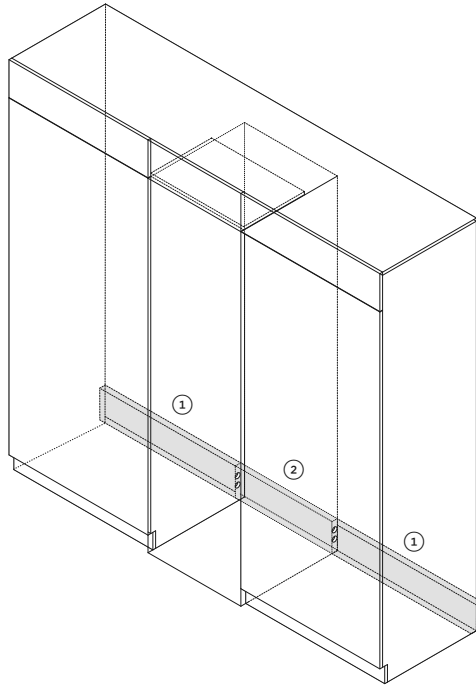
RS24 + RS30 MODELS

DIMENSIONS	IN	MM
(A) Width of toe kick	53 7/8	1368
(B) Height of toe kick*	min 2 - max 6	min 51 - max 152

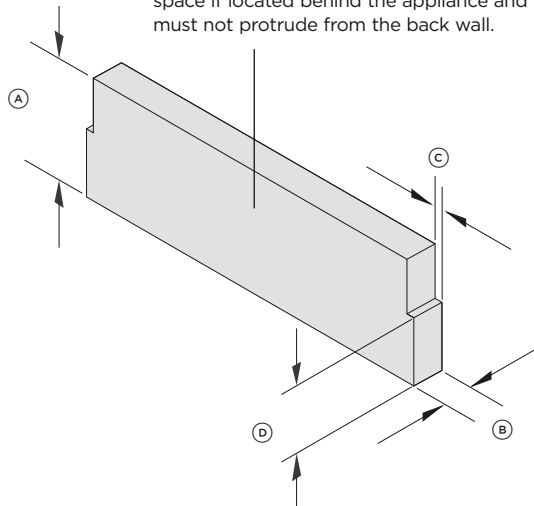
RS30 + RS30 MODELS

DIMENSIONS	IN	MM
(A) Width of toe kick	59 7/8	1521
(B) Height of toe kick*	min 2 - max 6	min 51 - max 152

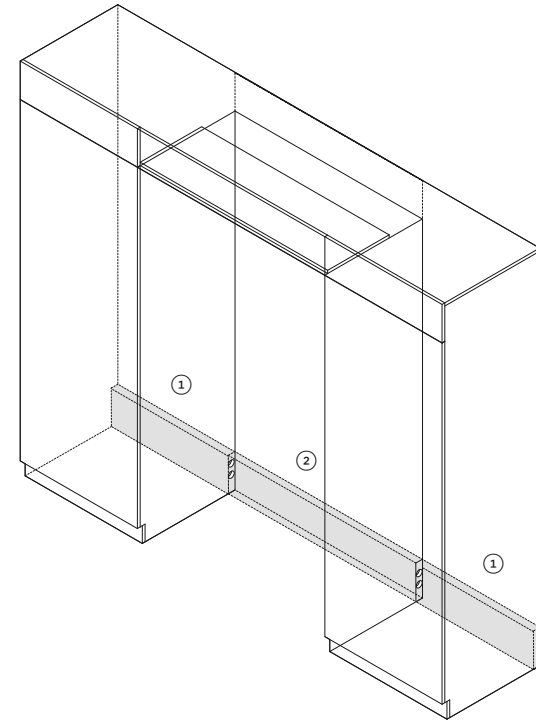
SINGLE INSTALLATION



Electrical connection must be within this space if located behind the appliance and must not protrude from the back wall.



DUAL INSTALLATION



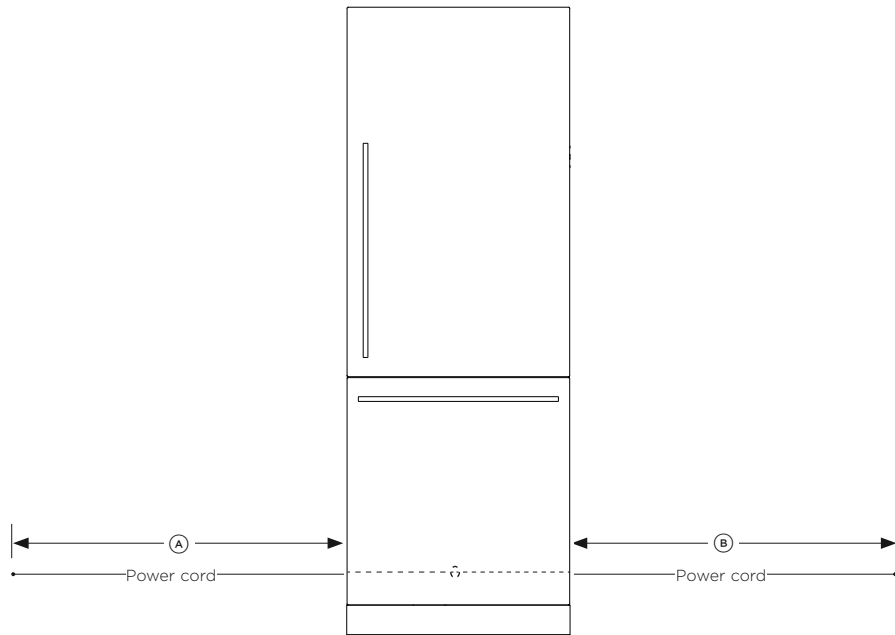
ELECTRICAL AND PLUMBING CONNECTIONS

- ① Recommended location for connections in adjacent area or unit
- ② Alternative location for connections at rear of cavity

ELECTRICAL DIMENSIONS

	IN	MM
Ⓐ Overall height of supply area	9	229
Ⓑ Overall depth of supply area	1"	25
Ⓒ Width of notch in supply area (both sides)	1/2	13
Ⓓ Height of sides of supply area (both sides)	5	127

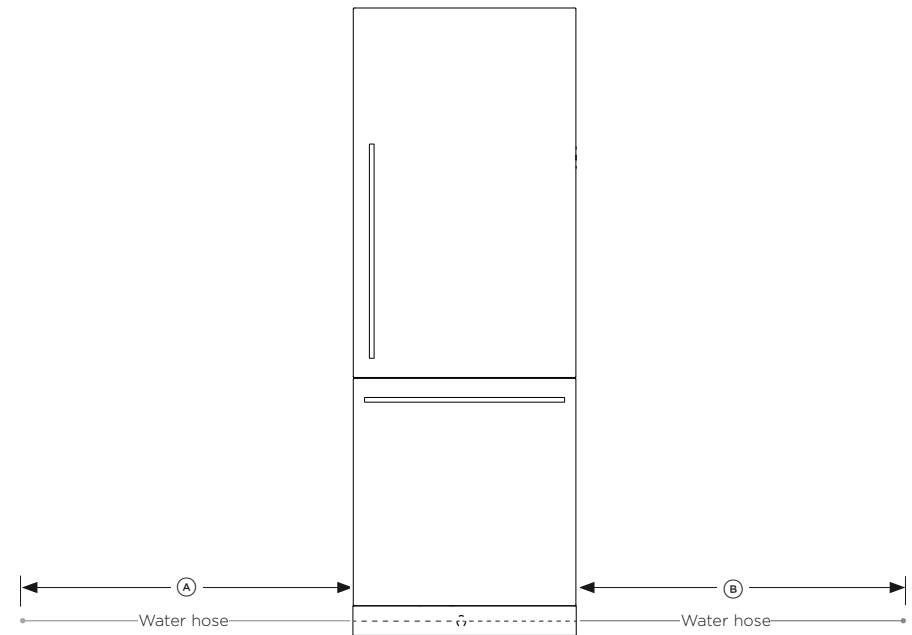
ELECTRICAL SPECIFICATION



Supply	115 VAC, 60 Hz
Service	10 amp circuit
Socket	3-prong grounding-type
Power cord (total length)	78 3/4" (2000mm)

MAXIMUM DISTANCE OF POWER CORD	RS24		RS30	
	in	mm	in	mm
Ⓐ Power cord length from left side edge of appliance (excluding plug)	71 1/4	1809	68 1/4	1733
Ⓑ Power cord length from right side edge of appliance (excluding plug)	72 1/4	1835	69 1/4	1759

PLUMBING SPECIFICATION

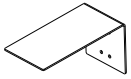


Supply	1/2" (12.7mm) BSP Stainless steel braided hose with adaptor
Pressure psi (kPa)	min 150psi (22) / max 827psi (120kPa) @ 68°F (20°C)
Water inlet hose (total length)	118 1/8 (3000mm)

MAXIMUM DISTANCE OF SUPPLIED WATER HOSE	RS24		RS30	
	in	mm	in	mm
Ⓐ Water inlet hose length from left side edge of appliance	86 7/16	2196	83 7/16	2120
Ⓑ Water inlet hose length from right side edge of appliance	73 15/16	1878	70 15/16	1802

INSTALL ANTI-TIP BRACKET

Anti-tip bracket assembly kit



Anti-tip bracket (1)

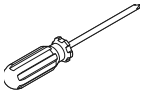


Masonry plug (4)

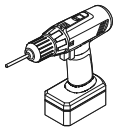


#10x40 cross-head screw (4)

Tools



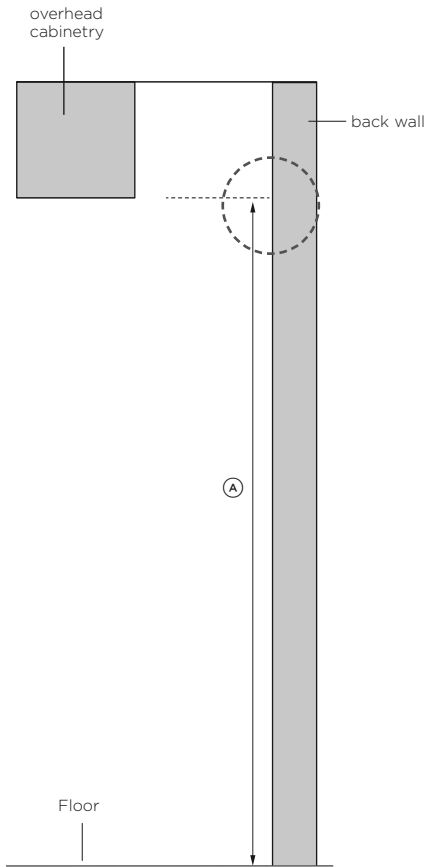
Cross-head screwdriver



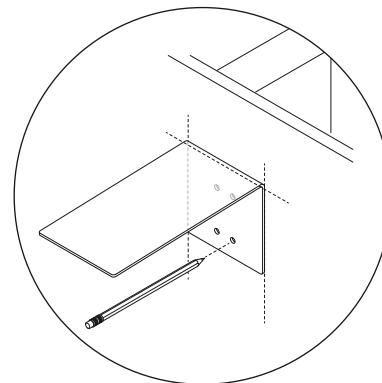
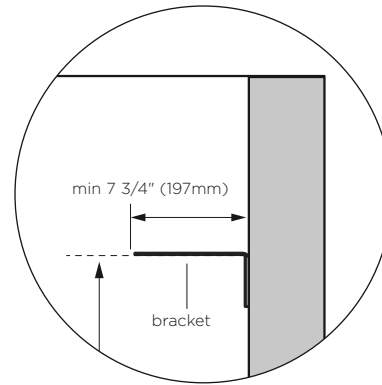
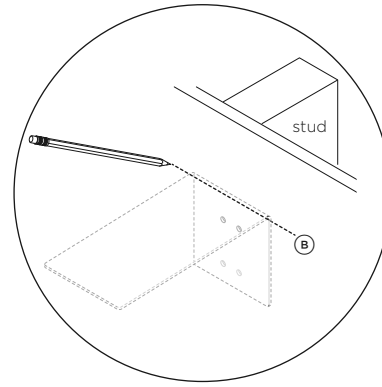
Powered drill



Pencil



PROFILE VIEW



Locating the attachment position of anti-tip bracket

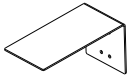
- ① Measure the height (**A**) of the attachment location from the floor to the alcove return at the back wall, and mark a horizontal line (**B**).
 - The height (**A**) must not exceed 84 3/16" (2138mm) to ensure the appliance does not tip over during installation.
 - Ensure there is a stud behind the wall.

- ② Place the bracket to the backwall. Align the undersurface of the bracket along the marked line.

- ③ Mark screw hole locations, and drill screw holes with powered drill.
 - For solid wall installation, drill holes suitable to the size of the masonry plugs.

INSTALL ANTI-TIP BRACKET

Anti-tip bracket assembly kit



Anti-tip bracket (1)

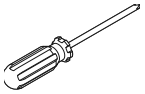


Masonry plug (4)

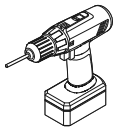


#10x40 cross-head screw (4)

Tools



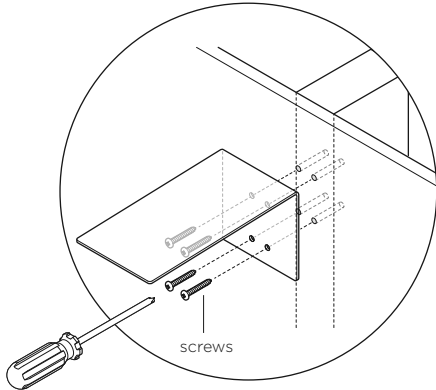
Cross-head screwdriver



Powered drill

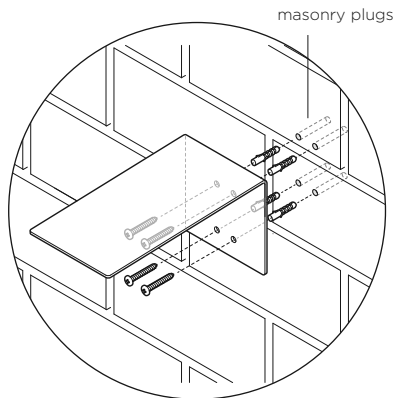


Pencil



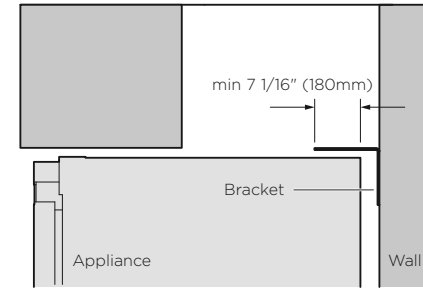
For plaster board wall

Fix the anti-tip bracket to the wall with #10x40mm cross head screws, and screw tightly with a screwdriver.



For solid wall installation

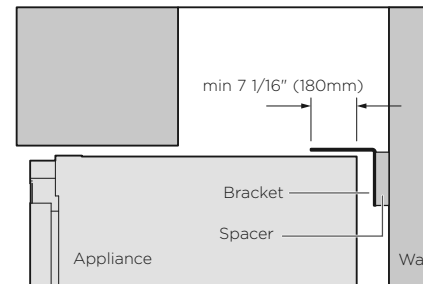
Hammer 10x30mm masonry plugs into wall until flush. Fix bracket to wall with #10x40mm cross head screws, and screw tightly.



PROFILE VIEW

Roll the appliance slowly into the cabinetry until the anti-tip bracket overlaps the back edge of the appliance.

- Ensure the bracket overlaps the appliance by a minimum 7 1/16" (180mm) for a secure hold.



PROFILE VIEW

If minimum 7 1/16" (180mm) overlap cannot be achieved, install a solid spacer to the wall stud behind the bracket.

- Be careful not to run over the power cord when rolling in the appliance.

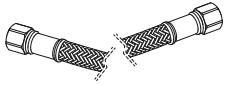
CONNECT WATER AND POWER SUPPLY

Water fittings kit



Collet locking clip

(1)



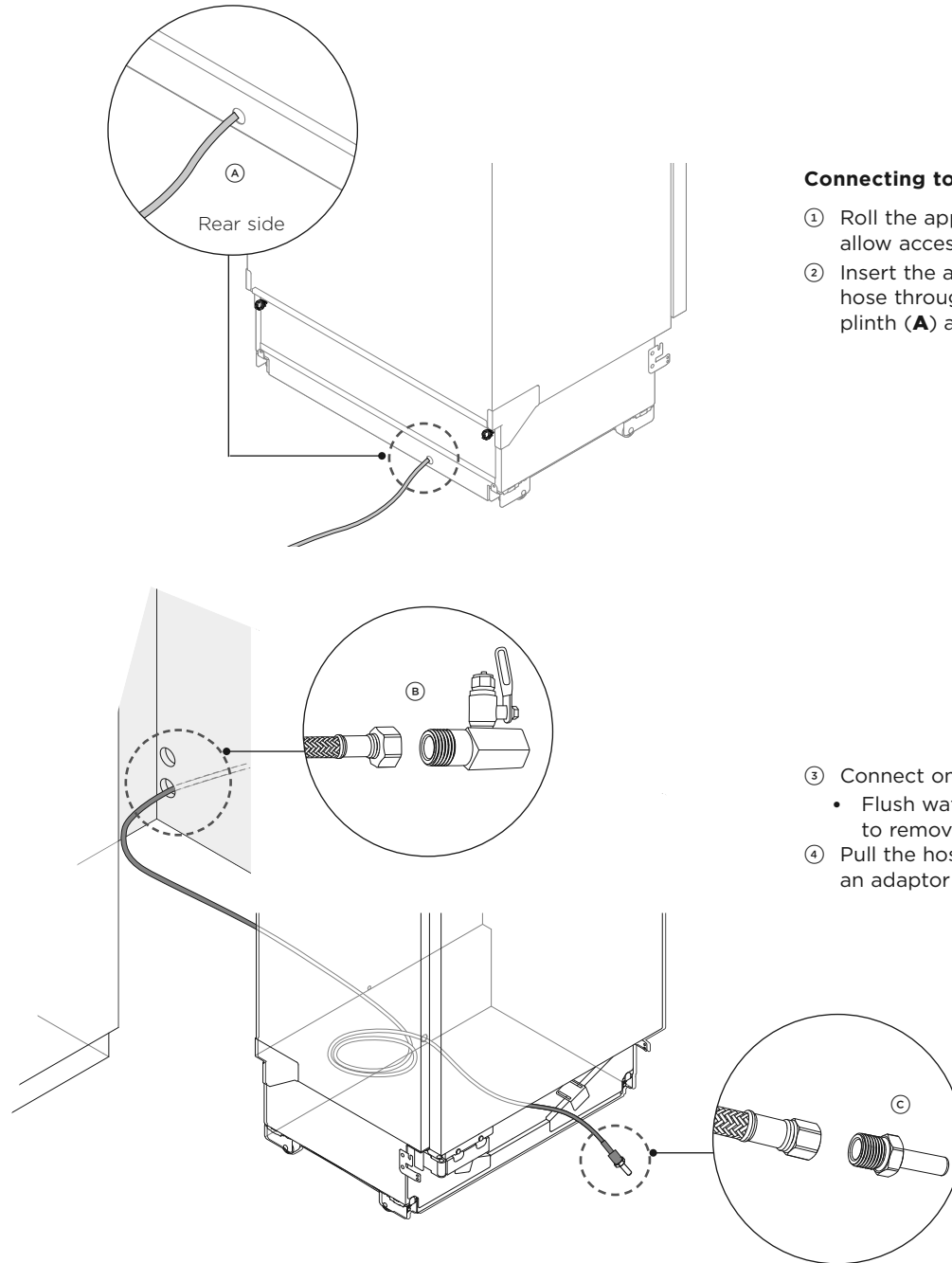
7/16" (11mm) BSP
Stainless steel braided
hose with adaptor

(1)



1/4" (6.35mm) Adaptor

(2)



Connecting to water supply

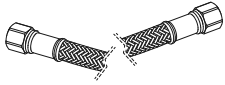
- ① Roll the appliance to the front of the cabinetry close enough to allow access at the back for power and water connection.
- ② Insert the adaptor end of the braided hose through a hole at the rear of the plinth **(A)** and push all the way to the front of the appliance.
- ③ Connect one end of the braided water hose to the water tap **(B)**.
 - Flush water through the hose prior to connection to the appliance to remove any debris in the hose.
- ④ Pull the hose from the front of the appliance and connect an adaptor **(C)**.

CONNECT WATER AND POWER SUPPLY

Water fittings kit



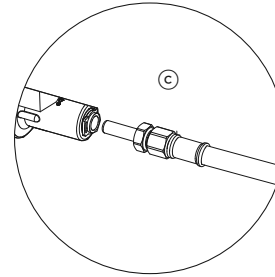
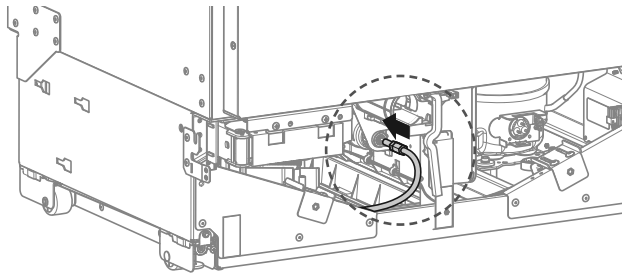
Collet locking clip
(1)



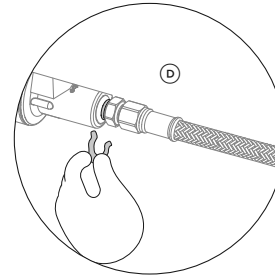
7/16" (11mm) BSP
Stainless steel braided
hose with adaptor
(1)



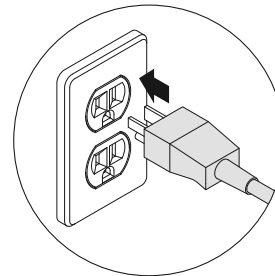
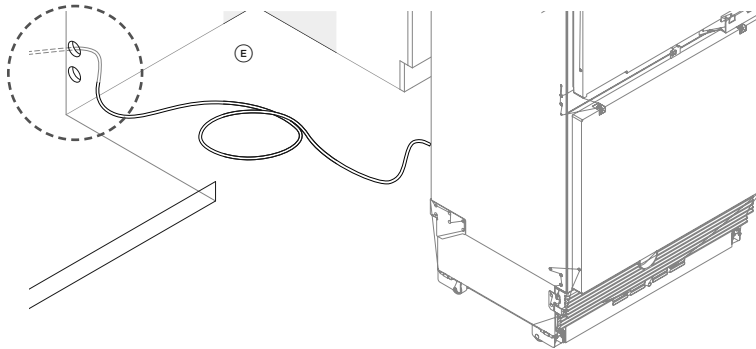
1/4" (6mm) Adaptor
(2x)



- ⑤ Insert the tube end of the adaptor fully into the PLV (**C**) at the bottom front of the appliance.



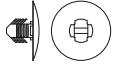
- ⑥ Secure the connection with a locking clip between the PLV and hose end of adaptor (**D**).
- Check the connection and open the water supply to test for leaks.



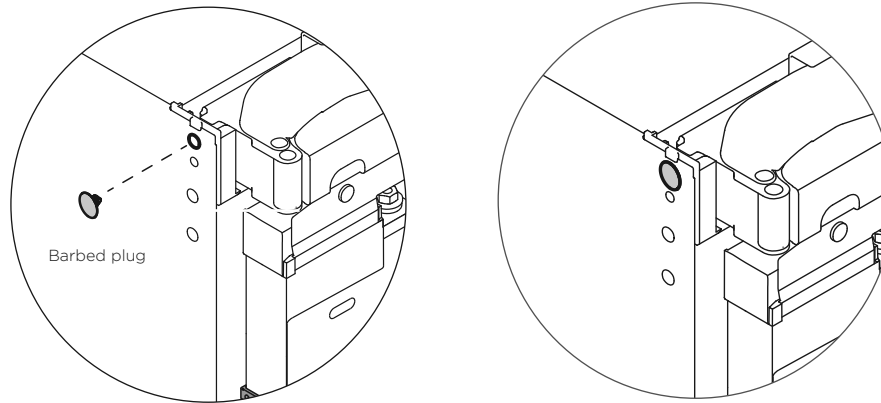
Connecting to power supply

- ① At the back of your appliance, connect the power cable to the power supply (115VAC, 60Hz) (**E**).
- You will hear a chime sound when the appliance is powered on.
 - Refer to your 'User guide' for more details on activating the appliance.

Install fasteners kit



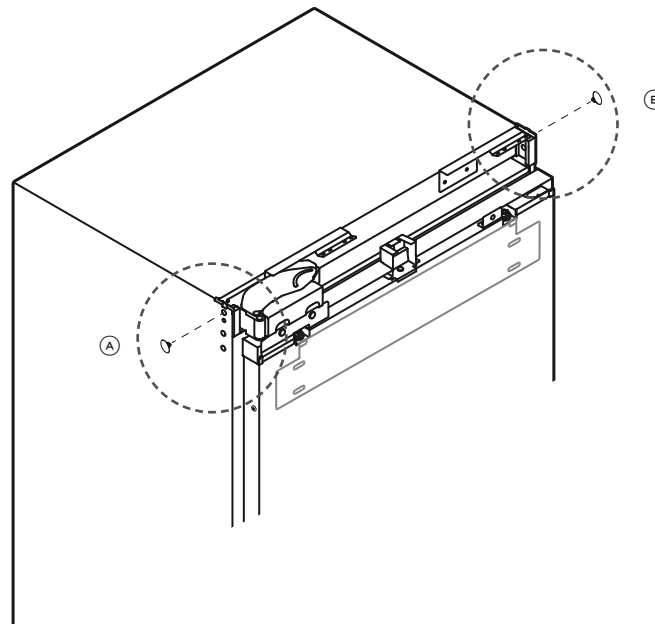
Barbed plugs
(2)



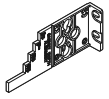
Attaching the barbed plugs

- ① Before rolling into the cavity, insert a barbed plug into a large hole at the top left side (**A**) of the appliance.
- The plugs protect the inside surface of cabinetry from being damaged by screws when pushing in the appliance.

Repeat steps ① – ② to the right side (**B**) of the appliance.

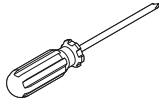


Install fasteners kit

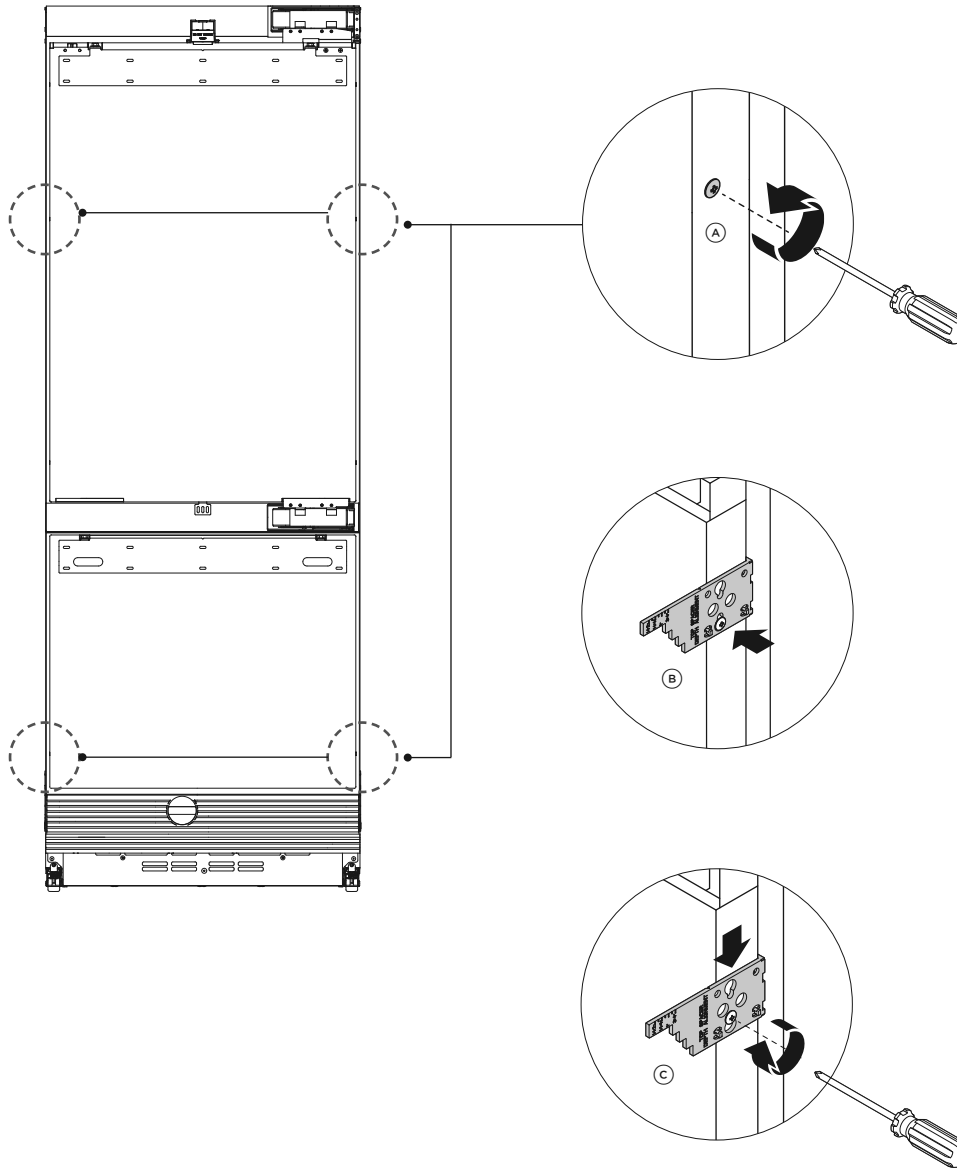


Cabinet depth alignment gauge (4)

Tools

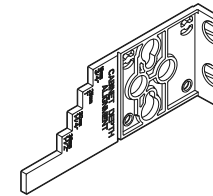


Cross-head screwdriver

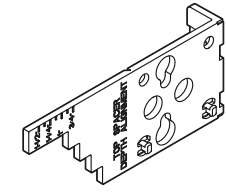


Attaching the depth alignment gauges

- ① Loosen the right and left screws at the top and bottom sides of the door. **(A)**
- ② Locate the alignment gauges at correct orientation to the right and left screws.



Left



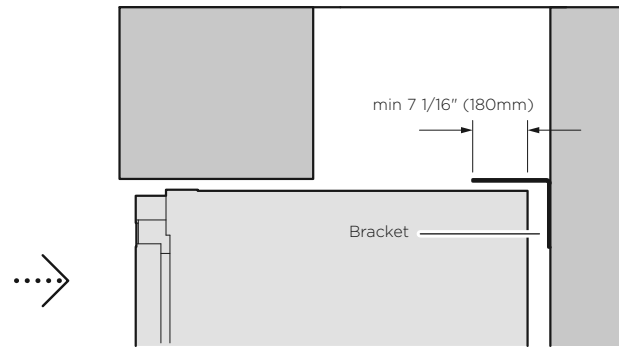
Right

- ③ Position the alignment gauge by inserting the screw head through the keyhole of the gauge. **(B)**

- ④ Push the alignment gauge down to lock the screw position in the keyhole. **(C)**
- ⑤ Tighten the screw just enough to firmly hold the gauge.

The alignment gauges are only temporary and must be removed after installation.

POSITION AND ALIGNMENT IN CABINETS

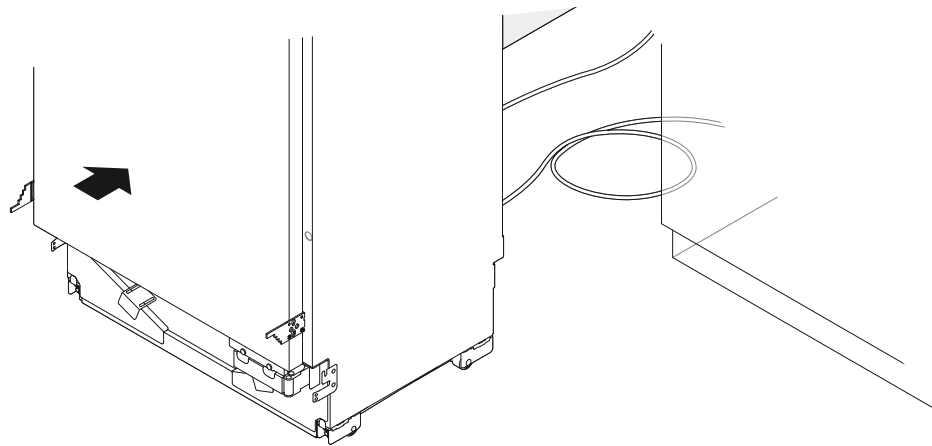


PROFILE VIEW

Positioning into the cabinetry

- ① Roll the appliance slowly into the cabinetry until the anti-tip bracket overlaps the back edge of the appliance.

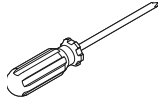
Ensure the bracket overlaps the appliance by a minimum 7 1/16" (180mm) for a secure hold.



Be careful not to run over the water hose and power cord when rolling in the appliance.

POSITION AND ALIGNMENT IN CABINETRY

Tools



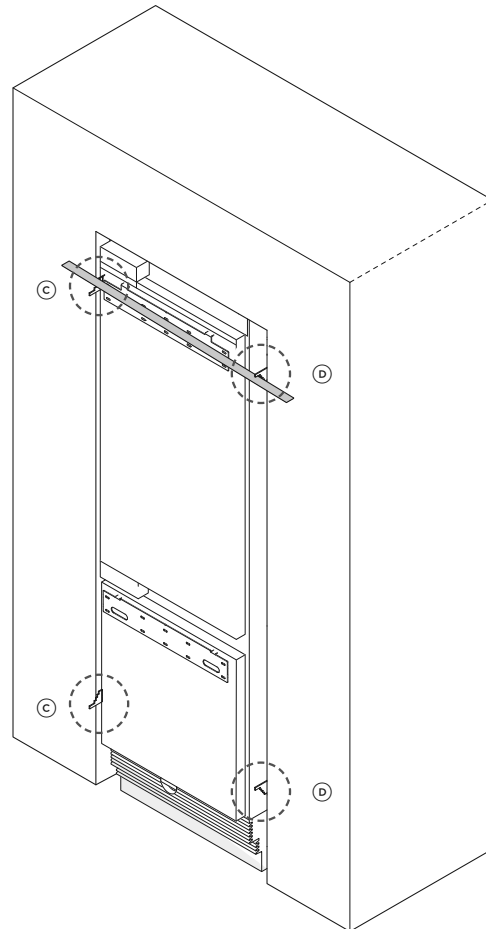
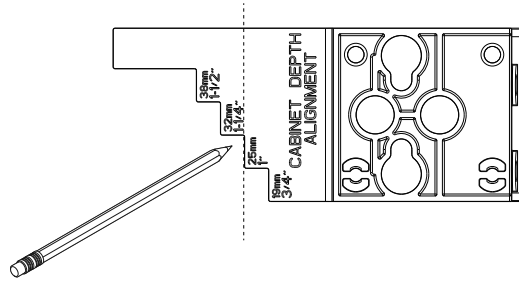
Cross-head screwdriver



Ruler

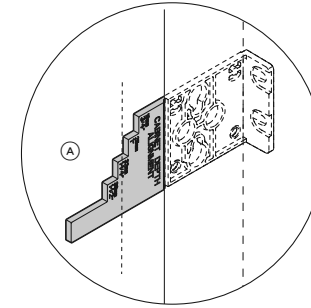


Pencil

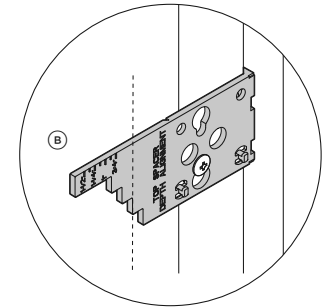


Aligning with the depth gauges

- 1 Mark the step of the depth gauges (**A**, **B**) on both sides of the door based on the thickness of door panel.
 - Example illustrations showing 1" (25.4mm) door panel thickness marked on the gauges.

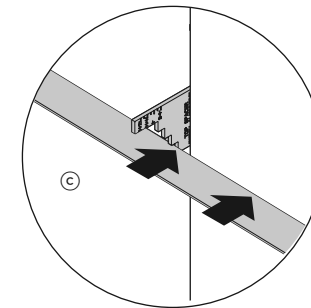


Left

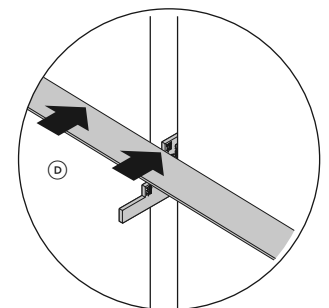


Right

- 2 Check if the gaps between appliance and cabinetry side walls are even on left and right sides (**C**, **D**).



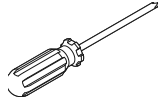
Left



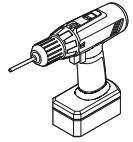
Right

POSITION AND ALIGNMENT IN CABINETY

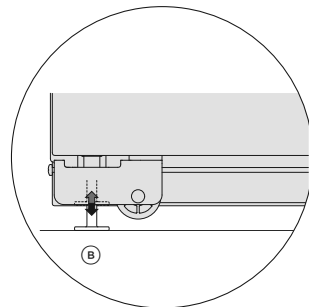
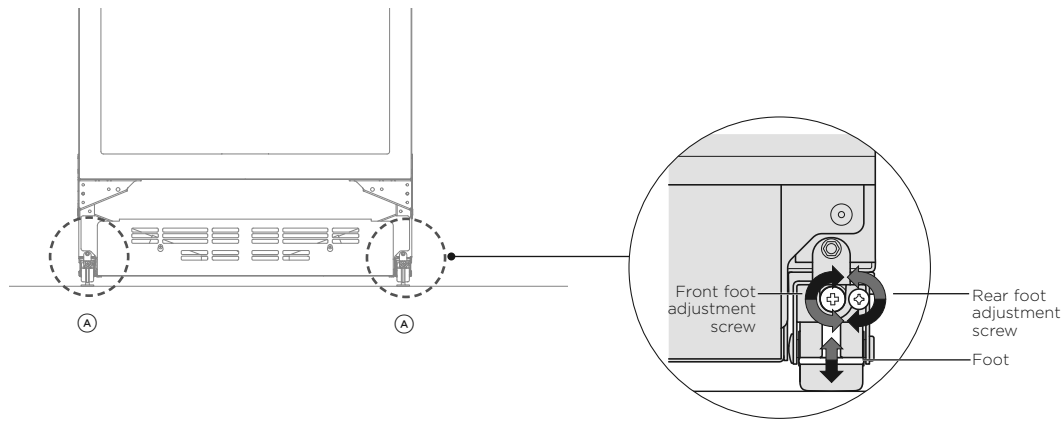
Tools



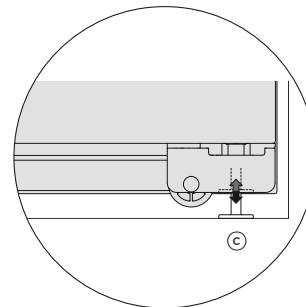
Cross-head screwdriver



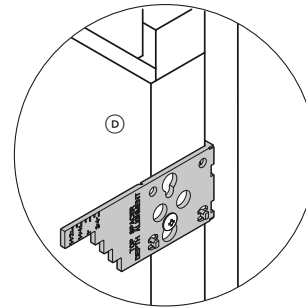
Powered driver (optional)



Front side view



Rear side view



Adjusting the alignment in the cabinetry

- Clockwise turn of the front and rear adjustment screws **(A)** raise the height of the appliance.
- Counter-clockwise turn of the adjustment screws lower the height of the appliance.

- ① Turn the front and rear adjustment screws clockwise to extend the front feet **(B)** and rear feet **(C)** until they engage the floor and the top bracket reaches the cabinetry ceiling.

- ② Check the depth gauges **(D)** while adjusting the screws to maintain alignment of the appliance.

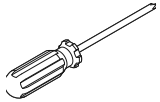
SECURE APPLIANCE TO CABINETRY

Install fasteners kit

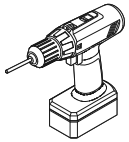


8Gx16 Countersunk screw (6)

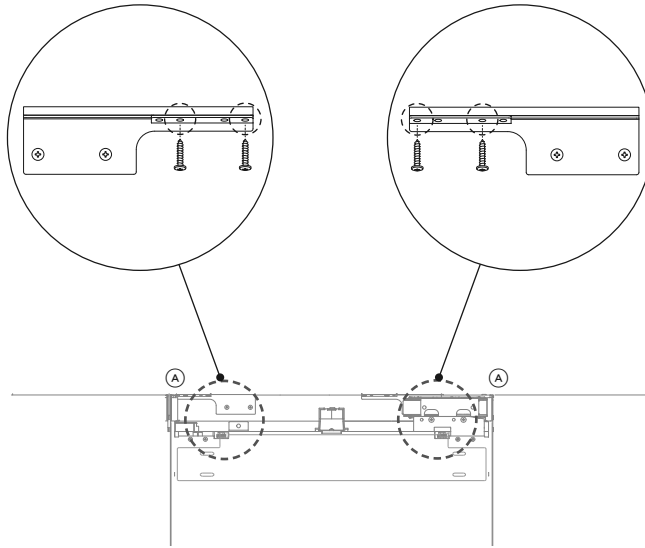
Tools



Cross-head screwdriver

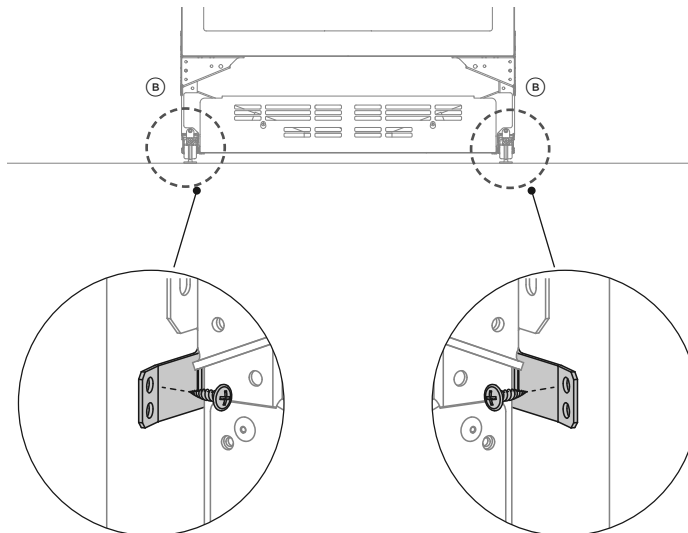


Powered driver (optional)



Securing the top brackets

Fix the top brackets to the ceiling surface of the cabinetry with 8Gx16 countersunk screws. **(A)**



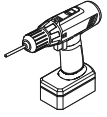
Securing the side brackets

Fix the side brackets (2x) to the lower right and left sides of the cabinetry with 8Gx16 countersunk screws. **(B)**

Once the appliance is secured to the cabinetry, remove the alignment gauges and re-tighten the side screws.

REMOVE HANGING BRACKETS

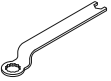
Tools



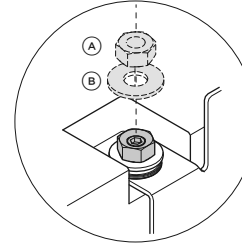
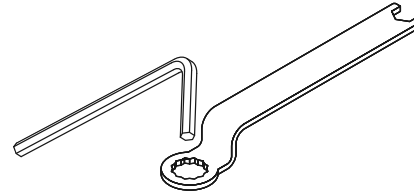
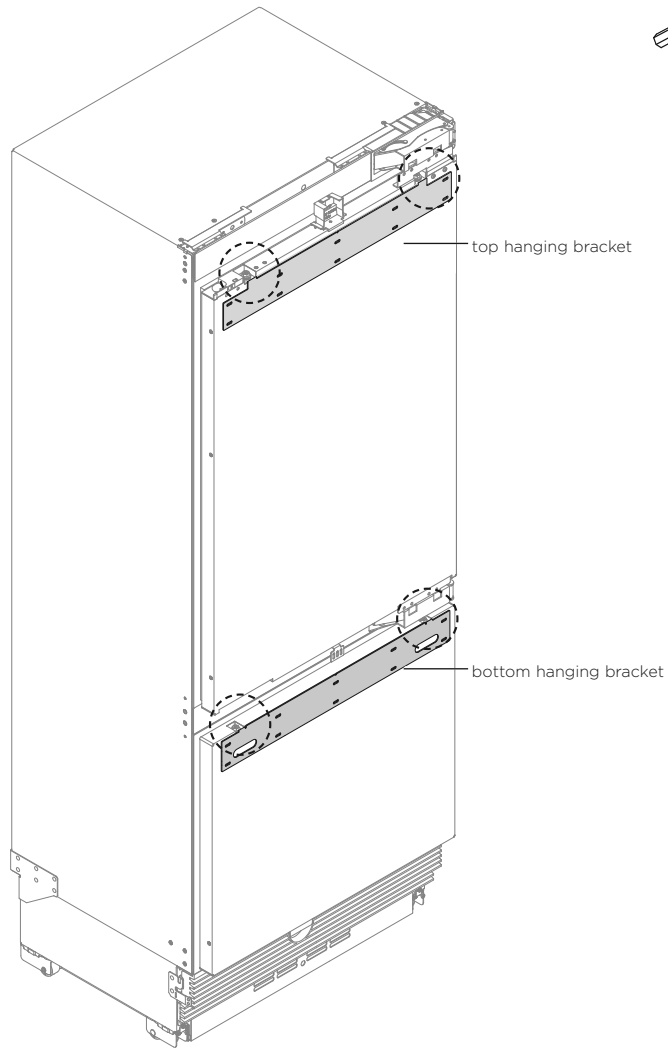
Powered driver



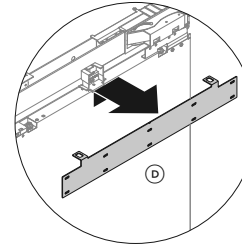
M8 hex key
(1)



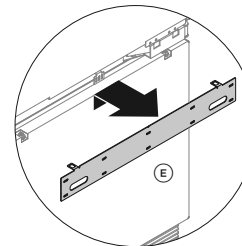
13mm spanner (1)



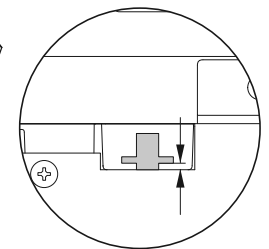
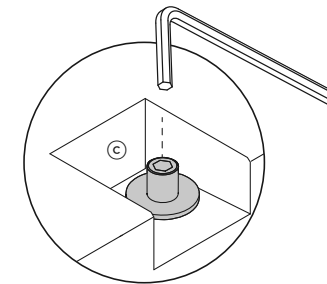
- 1 Remove the M8 nut (**A**) and M8 washer (**B**) from the M8 screw at the top of the refrigerator door using the supplied hex key and spanner.
 - Repeat for the top of the drawer door.



- 2 Remove the top and bottom hanging brackets (**D**, **E**) and set aside to use later.



- 3 Loosen the M8 screw (**C**) by 1/8" (3mm).



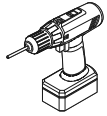
INSTALL DOOR AND DRAWER PANELS

Door handle kit



M5x25 Hex screw
(4x)

Tools



Powered driver



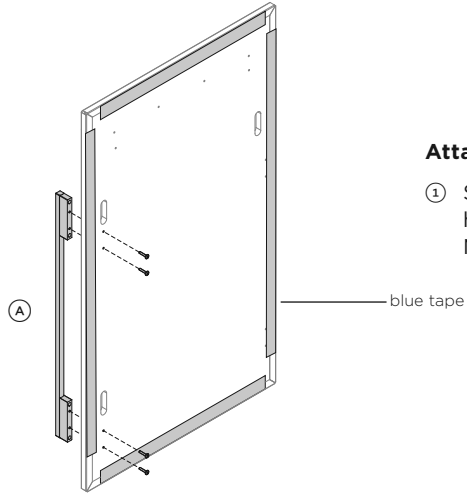
M8 hex key
(1)



13mm spanner (1)

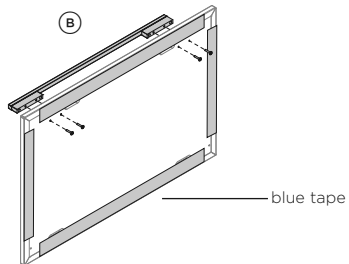
STAINLESS STEEL PANELS

Remove the protective film around the handle attachment area of the stainless steel panel before installing the handle.



Attaching refrigerator door handle

- Secure the door handle to the handle holes of the refrigerator door with M5x25 pan head socket screws. **(A)**

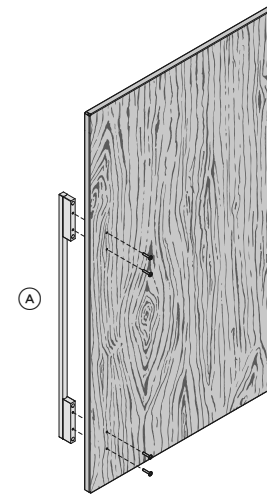


Attaching freezer drawer handle

- Secure the door handle to the handle holes of the freezer door with M5x25 pan head socket screws. **(B)**

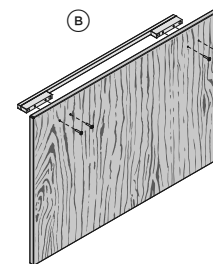
Remove the blue tape attached to inner edges of the door panels after the handles are installed.

CUSTOM PANELS



Attaching refrigerator door handle

- Refer to 'Custom door panel dimensions' page to locate the screw holes on the door panel.
- Secure the top door handle to the handle holes of the refrigerator door with #8x16 mush washer screw. **(A)**



Attaching freezer drawer handle

- Secure the bottom door handle to the handle holes of the freezer door with #8x16 mush washer screw. **(B)**

Ensure the door and drawer handles do not interfere when attaching the side attachment brackets. Refer to 'Custom door panel install dimensions' (page 17, page 25).

INSTALL DOOR AND DRAWER PANELS

Door panel attachment kit



Side bracket
(6)



Bracket slider
(6)



Bracket spacer
(6)



8Gx16 Mush washer screw (30) — For Stainless steel panels



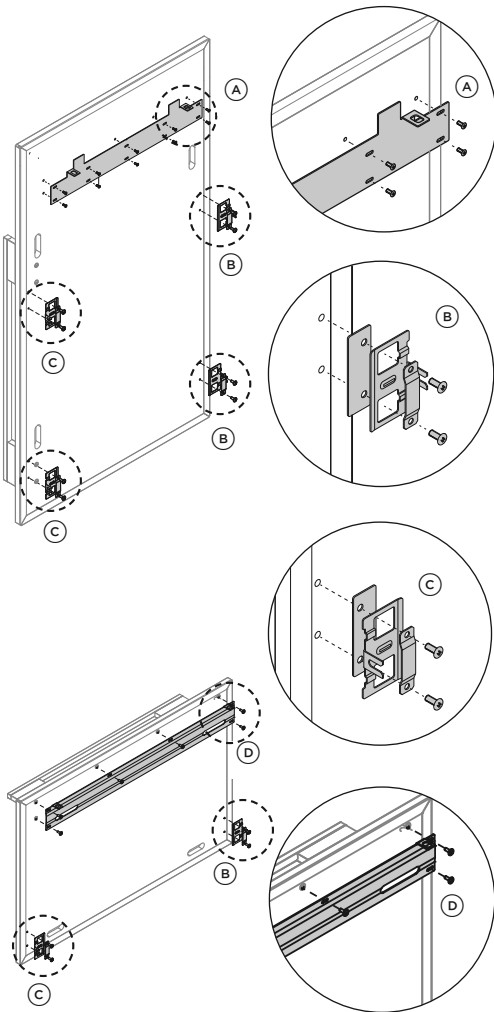
M5x12 Cross-head screw (30) — For Custom panels

Tools



Powered driver

STAINLESS STEEL PANELS



Attaching top hanging bracket

- Secure the top hanging bracket (A) to the screw holes of the refrigerator door panel with 8Gx16 Mush washer screws.

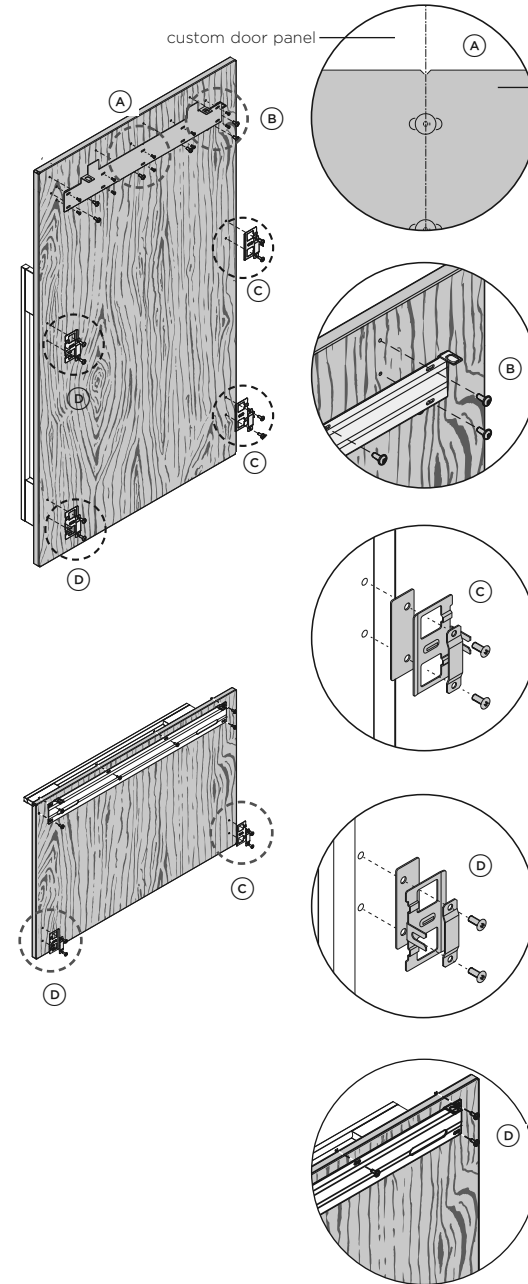
Attaching side brackets

- Secure the bracket spacer, side bracket (in order as per drawing) to the screw holes on both sides of the door and drawer panels with 8Gx16 mush washer screws. (B)

Attaching bottom hanging bracket

- Secure the bottom hanging bracket (D) to the screw holes of the freezer door panels with 8Gx16 Mush washer screws.

CUSTOM PANELS



Attaching top hanging bracket

- Mark a line across the center of the custom door panel.
- Align the top of the centerline to the 'V' notch in the bracket. (A)
- Secure the top hanging bracket (B) to the screw holes of the refrigerator custom door panel with M5x12 cross-head screws

Attaching side brackets

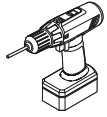
- Secure the bracket spacer, side bracket and bracket slider (in order as per drawing) to the screw holes on both sides of the door and drawer panels with M5x12 cross-head screw. (C).

Attaching bottom hanging bracket

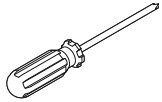
- Secure the bottom hanging bracket to the screw holes of the freezer door panels with M5x12 Cross-head screws. (E)

INSTALL DOOR AND DRAWER PANELS

Tools



Powered driver
(with 2.5mm drill bit)



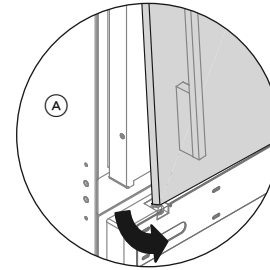
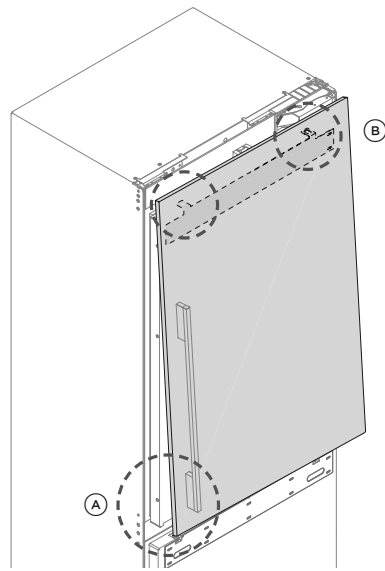
Cross-head screwdriver



M4 hex key
(1)

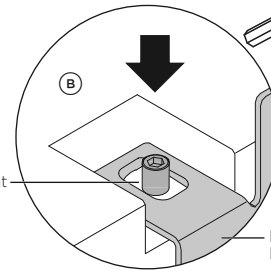


1/2" (13mm) spanner
(1)

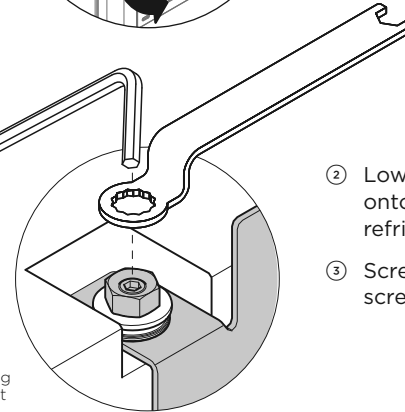


Hanging the refrigerator door panel

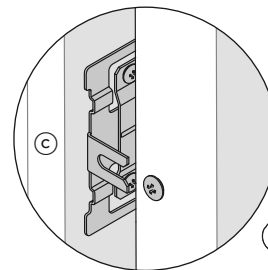
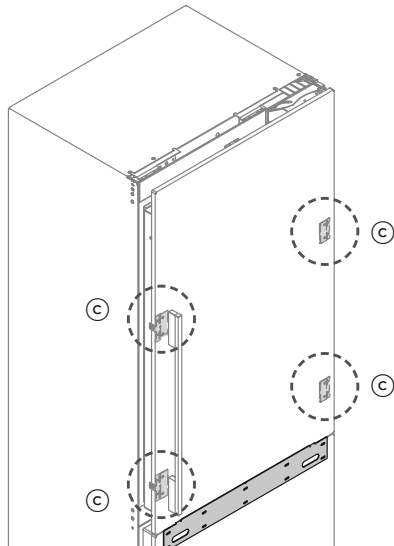
① Hold the door panel at an angle towards the top of the refrigerator door (**A**).



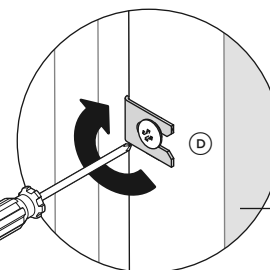
② Lower the screw holes of the hanging bracket onto the adjustment screws at the top of the refrigerator door. (**B**)



③ Screw the M8 washer and nut to the adjustment screw and loosely tighten.



Left isometric view



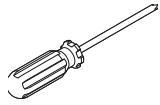
④ Slide-in the side brackets (**C**) to the side screws of the door, and align the door panel straight with the refrigerator door.

⑤ Tighten the side screws (**D**) loosely to temporarily secure the door panel.

Repeat steps 1 - 4 for the freezer drawer panel.

INSTALL DOOR AND DRAWER PANELS

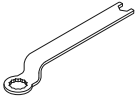
Tools



Cross-head screwdriver

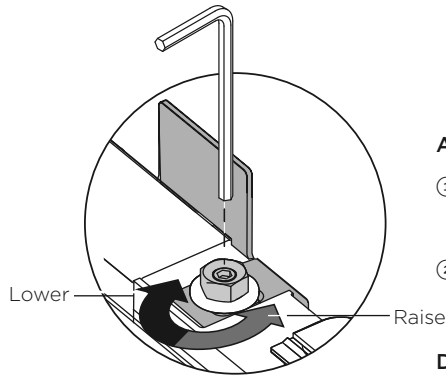


M4 hex key
(1)



13mm spanner
(1)

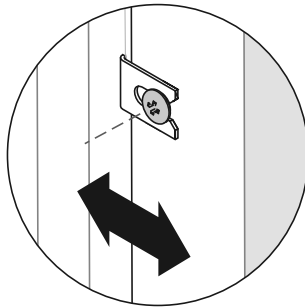
Ensure the side brackets are loosely screwed when adjusting the height of the door panel. Do not adjust the door panel height when the side brackets are screwed tight. This can generate friction which causes the hanging brackets to bend.



Adjusting height of door panel

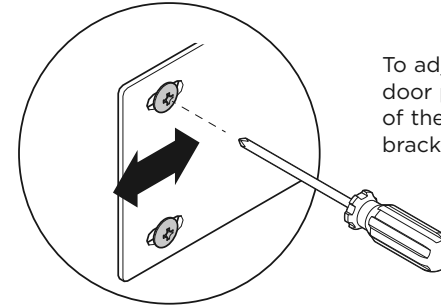
- ① Turn the adjustment screw to raise or lower the height of the door panel relative to the door.
- ② Continue adjustment until gap with cabinetry is more than 1/8 (3mm).

Do not adjust the adjustment screw higher than 1/4" (6.5mm) from its fully down position.

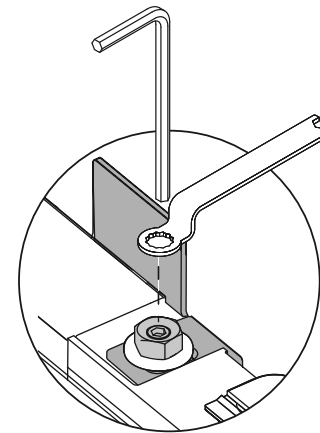


Adjusting depth of door panel

- ③ Loosen side screws on the side brackets, and slide door panel forward/backward.
- ④ Re-tighten once satisfied.



To adjust door panel further, remove the door panel then loosen the fixing screws of the hanging bracket and move the bracket sideways to suit.

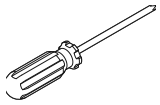


To adjust door panel further, remove the door panel then loosen the fixing screws of the hanging bracket and move the bracket sideways to suit.

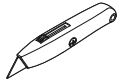
- Once satisfied with door panel position, fully tighten M8 washer and nut to adjustment screw.

INSTALL LOCKING BRACKET

Tools



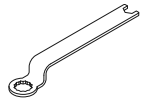
Cross-head screwdriver



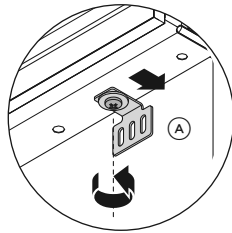
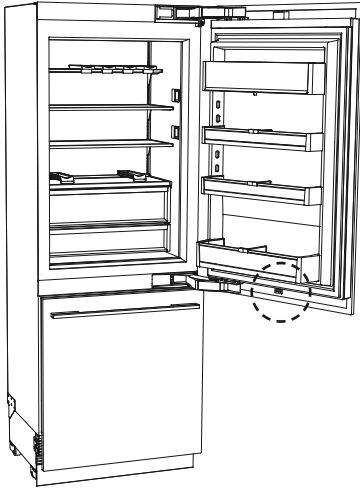
Cutter



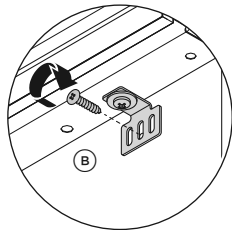
M4 hex key
(1)



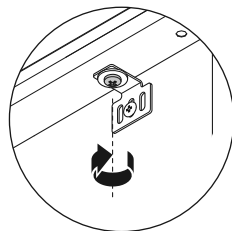
13mm spanner
(1)



- ① Loosen the screw at the bottom of the refrigerator door, and slide the locking bracket (A) out until it touches the panel.

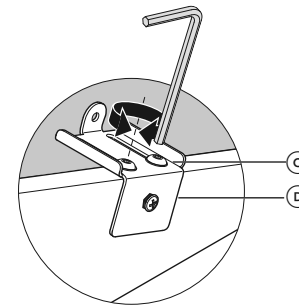
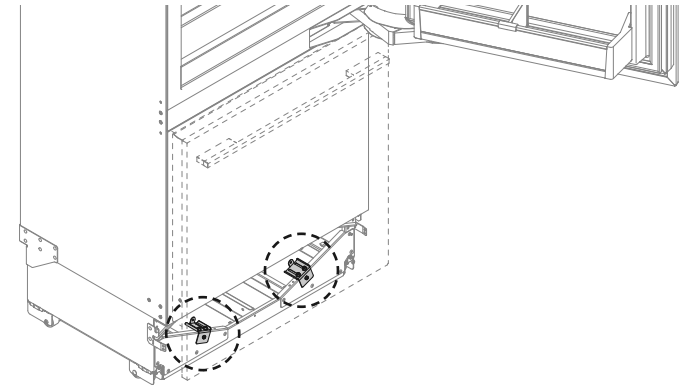


- ② Fix the locking bracket to the door panel with 8Gx16 countersunk screw (B).

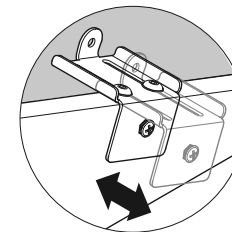


- ③ Re-tighten the screw at the bottom of the door.

INSTALL ADJUSTMENT BRACKETS



- ① Loosen the cap screws (C) of the adjustment brackets (D) on both sides of the plinth with a hex key.



- ② Adjust the brackets to the desired depth by moving it forward/backward.
- ③ Re-tighten the cap screws once satisfied.

INSTALL TOE KICK PANEL

Miscellaneous components



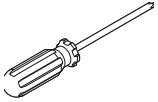
Air toe kick seal
(1)

Toe kick install kit



Toe kick panel
(1)

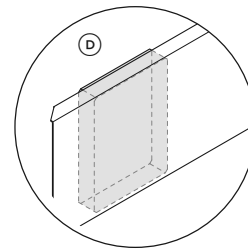
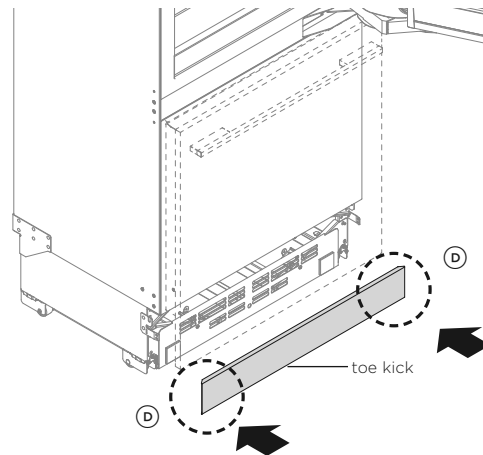
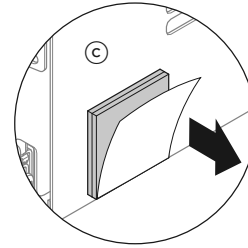
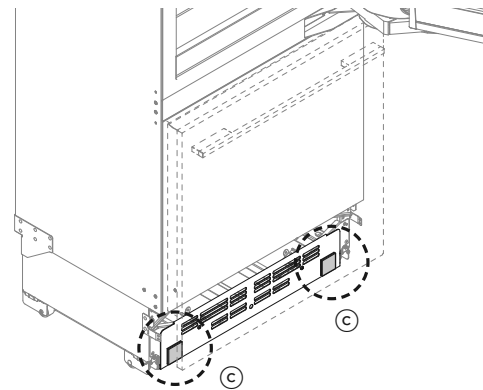
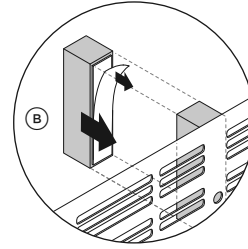
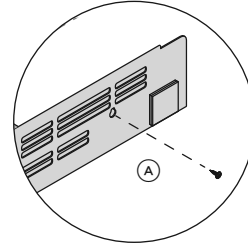
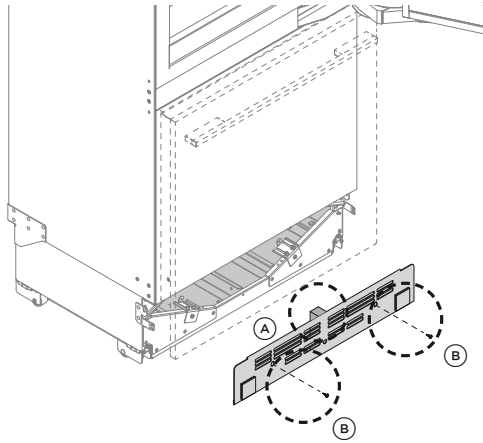
Tools



Cross-head screwdriver



M4 hex key
(1)



Attaching the mounting plate

- ① Re-attach the toe kick mounting plate (A) to the plinth using same screws that were set aside previously.
- ② If toe kick depth is less than 3 5/8" (92mm), attach an air toe kick seal (B) to the mounting plate.
 - Peel off the adhesive tape of air toe kick seal and attach to the middle of the back side of the mounting plate.

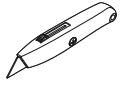
- ③ Peel off the adhesive tape backing of the magnets (C) attached to the mounting plate.

Attaching the toe kick panel

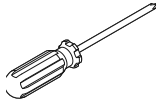
- ① Position the toe kick in front of the mounting plate.
 - The spacers (D) on the toe kick must be aligned with the magnets of the mounting plate.
- ② Press the toe kick onto the mounting plate to fix the position.
 - For custom toe kick, spacers are not needed.
 - For correct dimensions of toe kick, refer to 'Toe kick panel dimensions' for more information.

INSTALL TOE KICK GRILLES

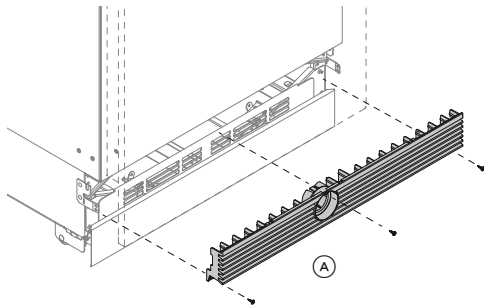
Tools



Cutter

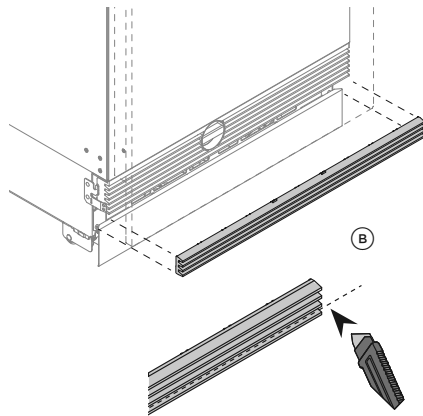


Cross-head screwdriver



Installing the top grille

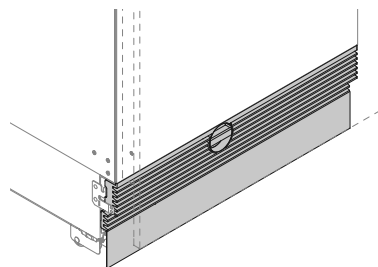
- 1 Reattach the top grille (A) using the same screws set aside previously.



Installing the bottom grille

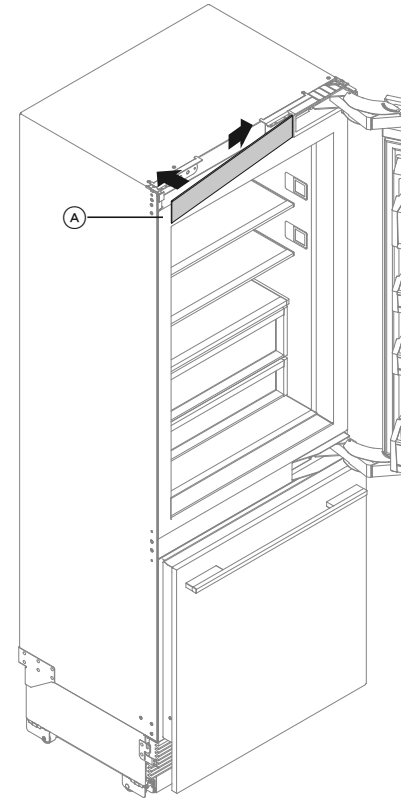
- 1 Reattach the bottom grille (B) to the mounting plate.

- For toe kick heights 4 1/2" - 5" (114 - 127mm), shorten the bottom grille by cutting along the vertical ribs.



Toe kick, top and bottom grilles complete installation

INSTALL TOP TRIM



Reinstalling the top trim

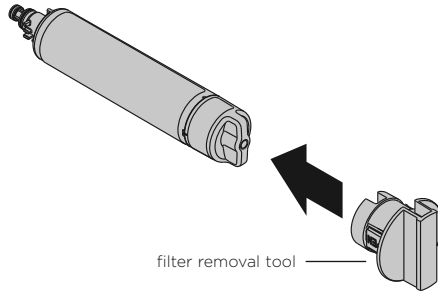
- 1 Slide one end of the top trim (A) into the hinge pocket of the appliance.
- 2 Press the other end to engage the dual lock strips on the non-hinge side of the appliance.

INSTALL WATER FILTER

Supplied tools



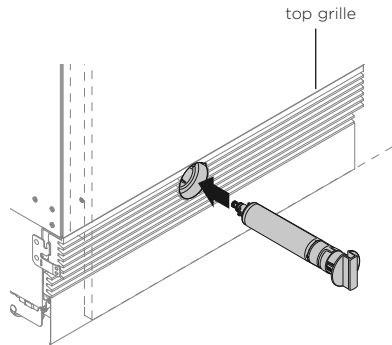
Water filter
(1)



filter removal tool

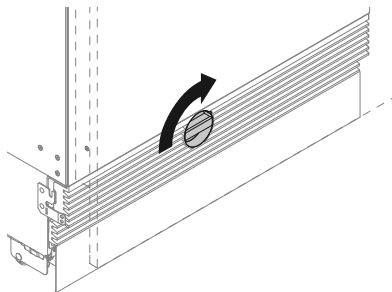
Inserting the water filter

- ① Remove the packaging from the water filter.
- ② Align the filter head with the slot of the filter removal tool and push until it clips in place.

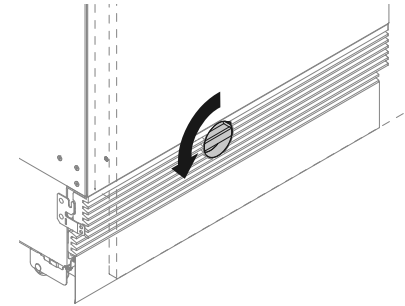


top grille

- ③ Using the water removal tool, hold the water filter with the handle positioned vertically and insert into the filter casing through a hole in the top grille.

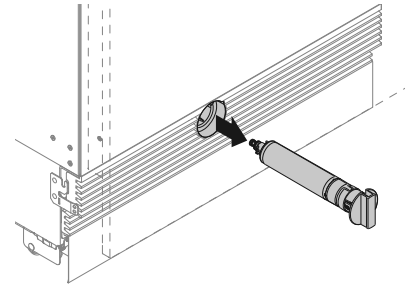


- ④ Push firmly until the water filter is all the way into the casing.
- ⑤ Turn the filter removal tool clockwise to lock the water filter in place.



Removing and replacing the filter

- ① To remove the water filter, turn the filter removal tool counterclockwise and pull out the filter.



- ② Unclip the tool from the filter head and discard the used water filter.

Refer to 'Inserting the water filter' when replacing the filter.

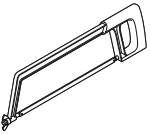
INSTALL AIR FLOW DIVIDER

Miscellaneous components



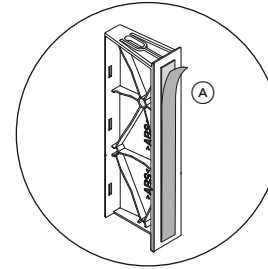
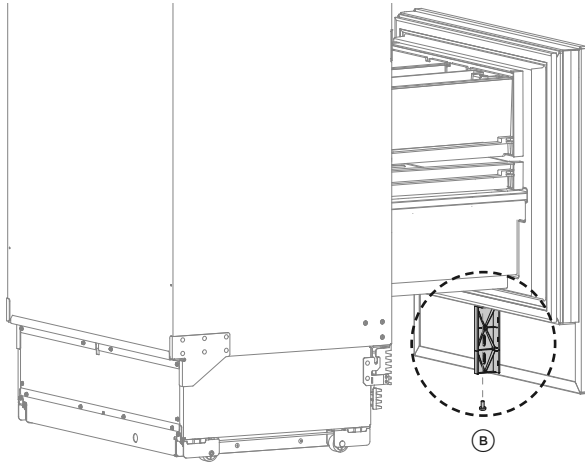
Flow divider cap
(1)

Tools

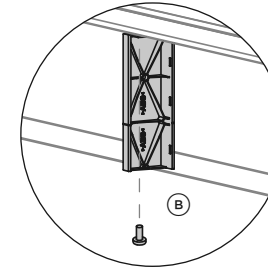


Hacksaw

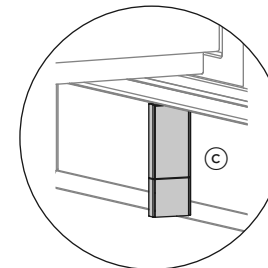
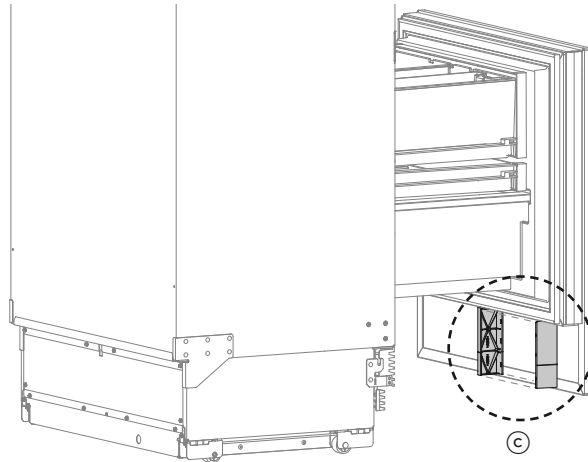
The air flow divider blocks the air flow from bypassing the front of the bottom grille.



- ① Remove the adhesive layer (**A**) off the air flow divider.



- ② Reinstall the air flow divider (**B**) to the bottom of the freezer drawer with screw.
 - Ensure the adhesive layer side of the divider contacts the door panel.
- ③ Press the flow divider firmly against the door panel.



- ④ Attach a flow divider cap (**C**) to the flow divider.

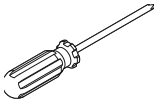
INSTALL CABINET SIDE TRIMS

Install parts

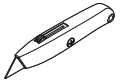


Cabinet side trim
(2)

Tools

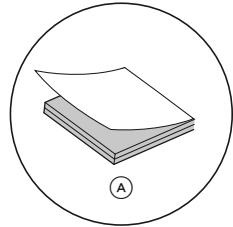
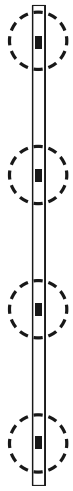


Cross-head screwdriver

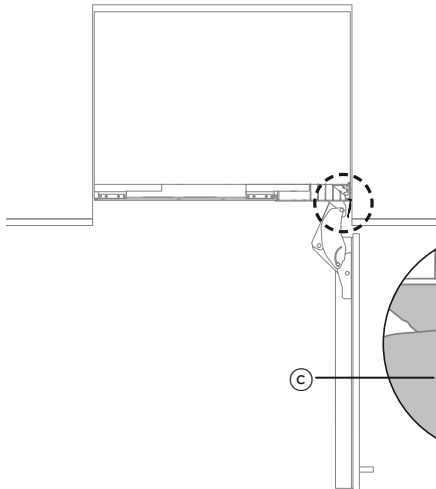


Cutter

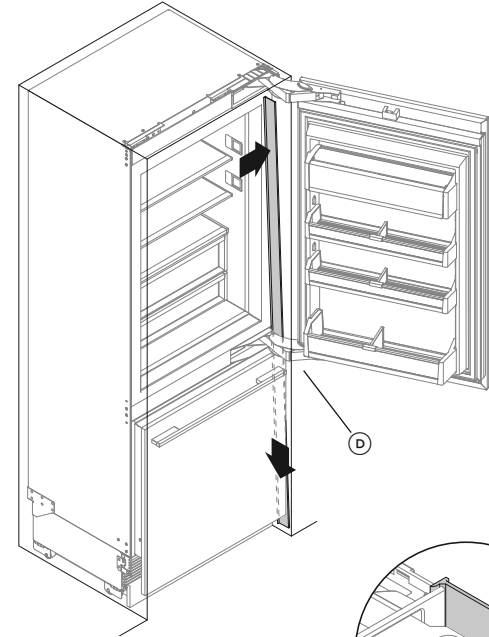
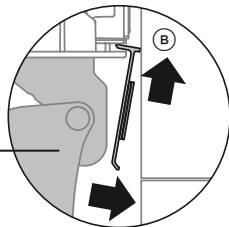
Dual adhesive strips are pre-attached at four locations along the side trim.



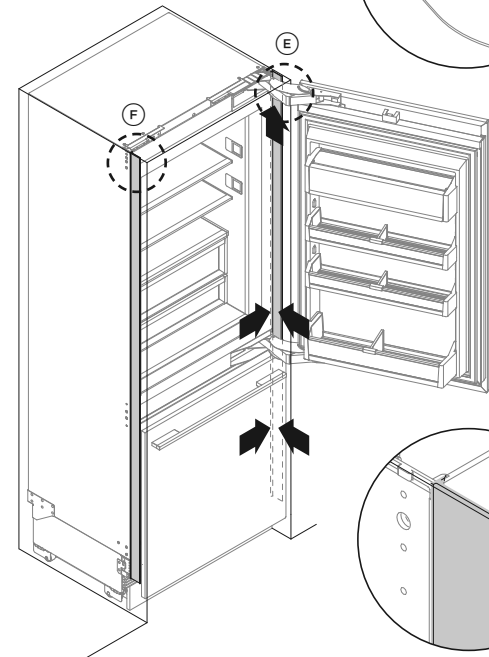
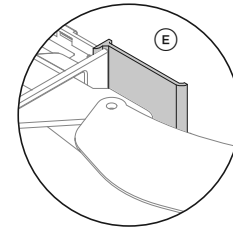
① Peel off the liners from the dual adhesive strips (**A**).



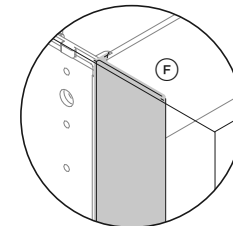
② Position the trim (**B**) at an angle on the throat of the door hinge (**C**).



③ Hold the same angle and slide the side trim bottom end behind the lower hinge down to the bottom drawer side. (**D**)
④ Slide the side trim top end behind the top hinge.



⑤ Slot the side trim behind the top hinge pocket. (**E**)
⑥ Press the adhesive strip to the cavity to ensure the trim is also tight against the inner face of the appliance.
⑦ On the non-hinge side, slide in the side trim behind the top trim. (**F**)



INSTALL DOOR AND DRAWER SIDE TRIMS

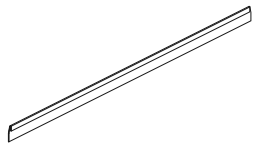
Trims install kit



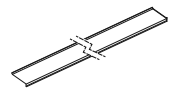
Top door panel side extrusion (2)



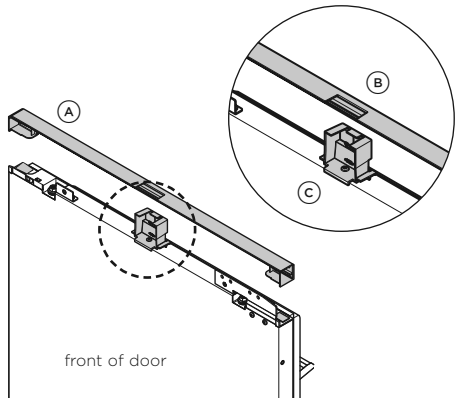
Bottom drawer panel side extrusion (2)



Bottom drawer top trim (1)

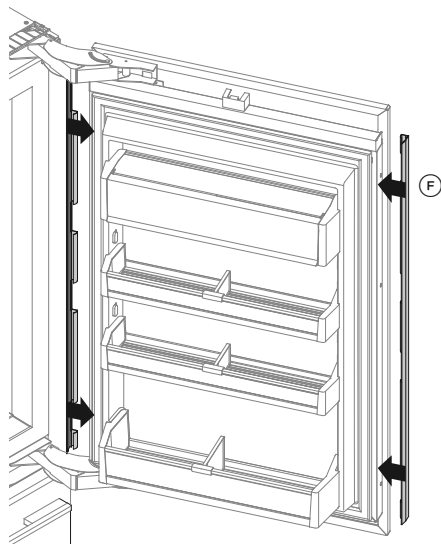
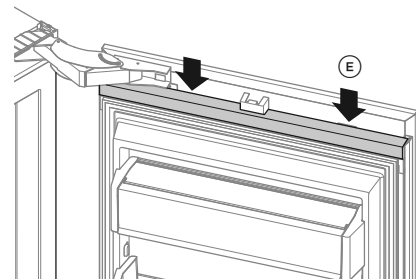


Cabinet side trim (2)



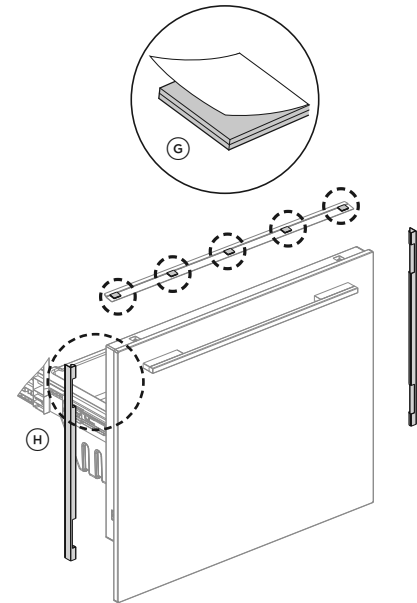
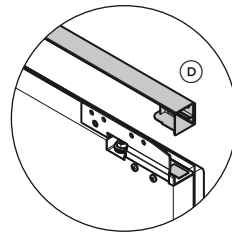
Install door top extrusion

- Align the top extrusion (A) to the top of the door, and match the notch (B) with the magnet housing (C).
- Clip the trim caps (D) at both ends of top extrusion to both ends of the top of the door.
- Press the top extrusion down to the door top surface. (E)



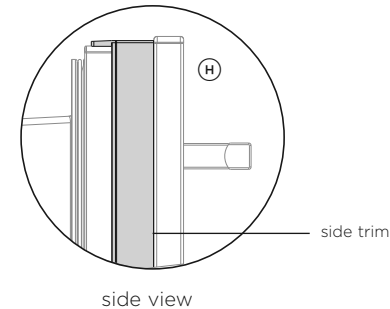
Install door side extrusions

- Press the side trims (F) to fit into the panel gaps on the right and left sides of the door.
- Align the top of the side trims to fit with the right and left ends of the top extrusion.



Install drawer top and side trims

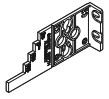
- Remove the adhesive backing of adhesive strips pre-attached to the underside of the top trim (G).
- Press down the top trim firmly to engage the back surface of the drawer panel.
 - Ensure the trim is fully seated against the drawer top surface.
- Install the side trims (H) by inserting into the panel gaps on each side of the door.
 - Ensure the cabinet is centered to prevent the side trims from interfering with the cabinet.



Your columns Installation is now complete!

DUAL INSTALLATION

Install fasteners kit



Cabinet depth alignment gauges (4)

Top joiner bracket kit

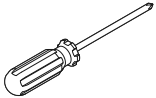


Central spacer (1)

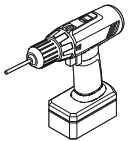


8Gx16 Mush washer screw (2)

Tools

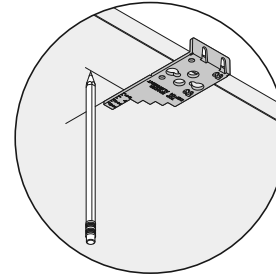
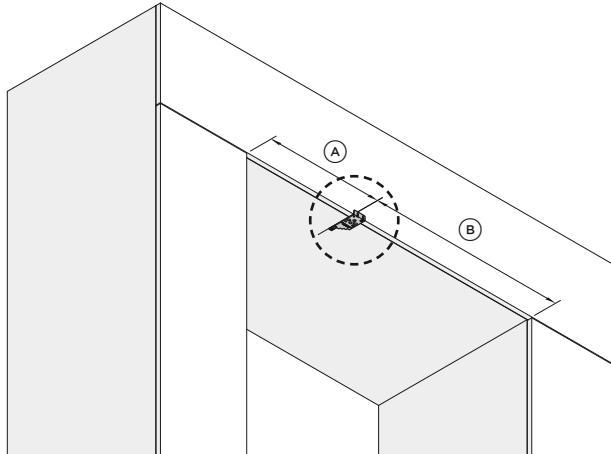


Cross-head screwdriver



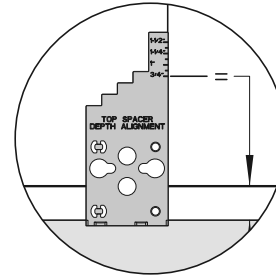
Powered driver (optional)

Attach central spacer to cabinetry

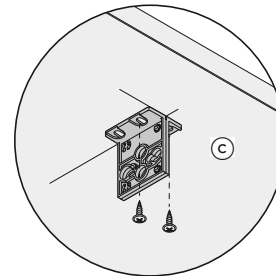


- ① Measure the widths from the left (**A**) and right (**B**) cabinetry sides towards the centre to determine the spacer location.

Refer to "Cavity dimensions" page for correct width of the appliance.



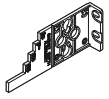
- ② Mark the attachment location of the central spacer on the cabinetry ceiling using the depth alignment gauge (**C**).
 - The depth position of spacer depends on the door panel thickness.



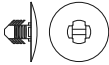
- ③ Fix a central spacer (**C**) to the alcove ceiling with two 8Gx16 countersunk screws.
- ④ Tighten the screws with a screwdriver or powered driver.

DUAL INSTALLATION

Install fasteners kit

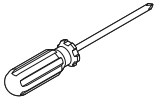


Cabinet depth alignment gauges (4)

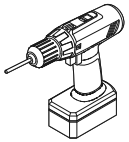


Barbed plugs (2)

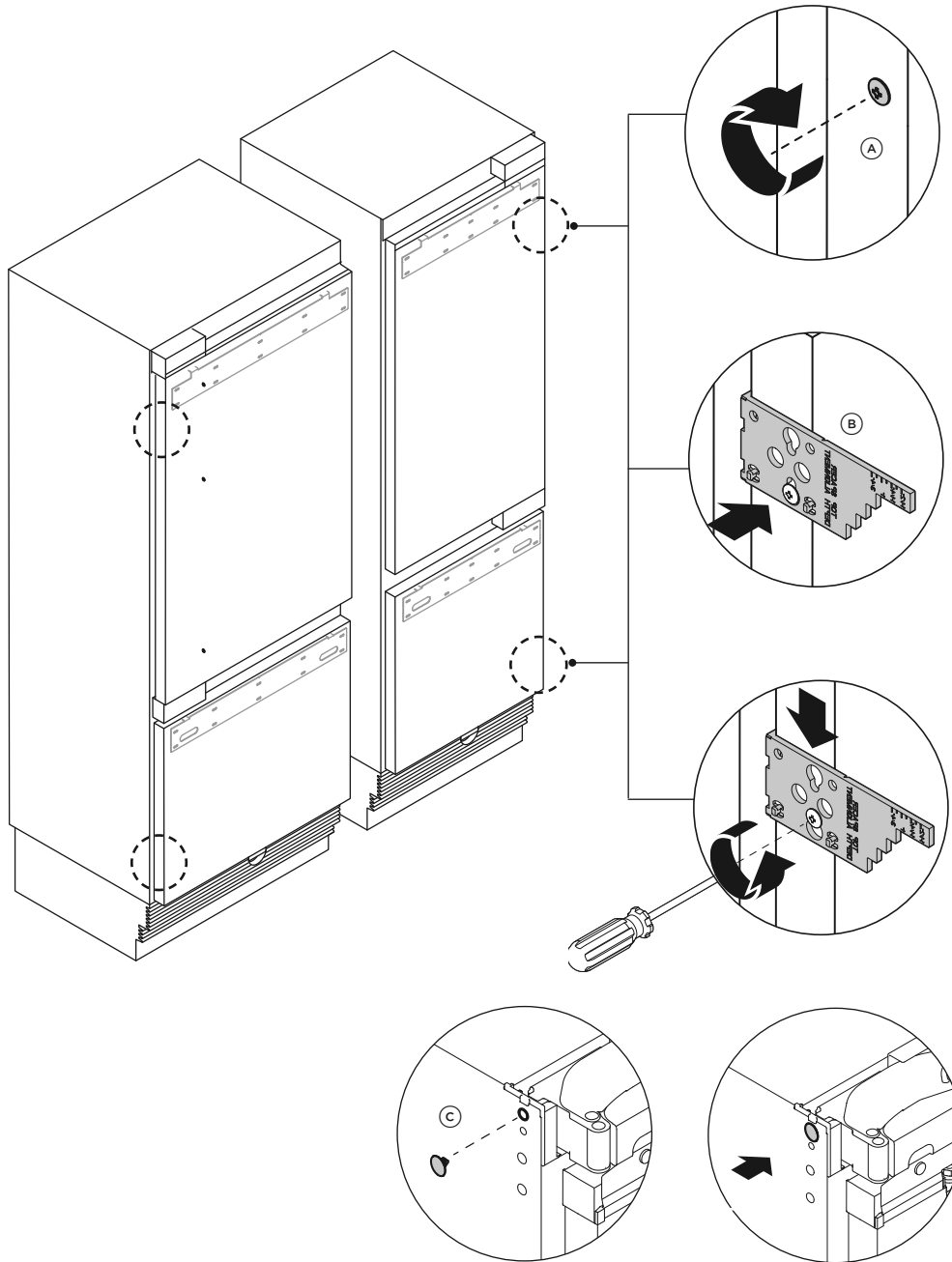
Tools



Cross-head screwdriver

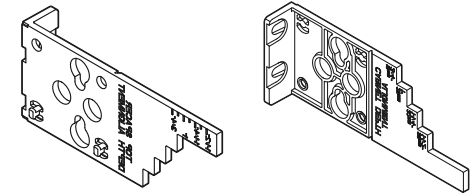


Powered driver (optional)



Attaching the depth alignment gauges

- ① Loosen the screws (**A**) at the cabinetry sides of the door and drawer of each appliance.
- ② Locate the alignment gauges (**B**) at correct orientation to the right and left side screws.



Left

Right

- ③ Position the alignment gauge by inserting the screw head through the keyhole of the gauge.

- ④ Push the alignment gauge down to lock the screw position in the keyhole.
- ⑤ Tighten the screw just enough to firmly hold the gauge.

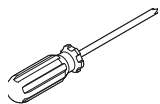
The alignment gauges are only temporary and must be removed after installation.

Attaching the barbed plugs

- ① Before rolling into the cavity, insert barbed plugs (**C**) into large holes on the top right and left sides of both appliances.
- ② The plugs protect the inside surface of cabinetry from being damaged by screws when pushing in the appliance.

DUAL INSTALLATION

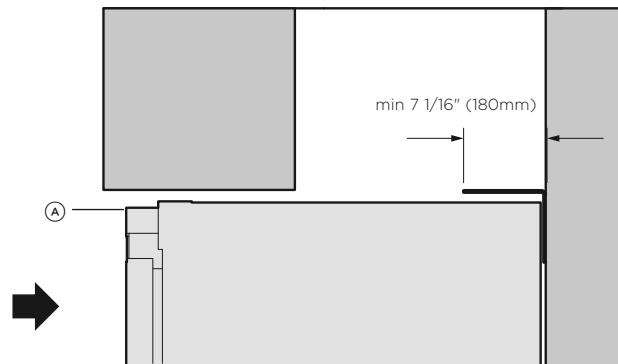
Tools



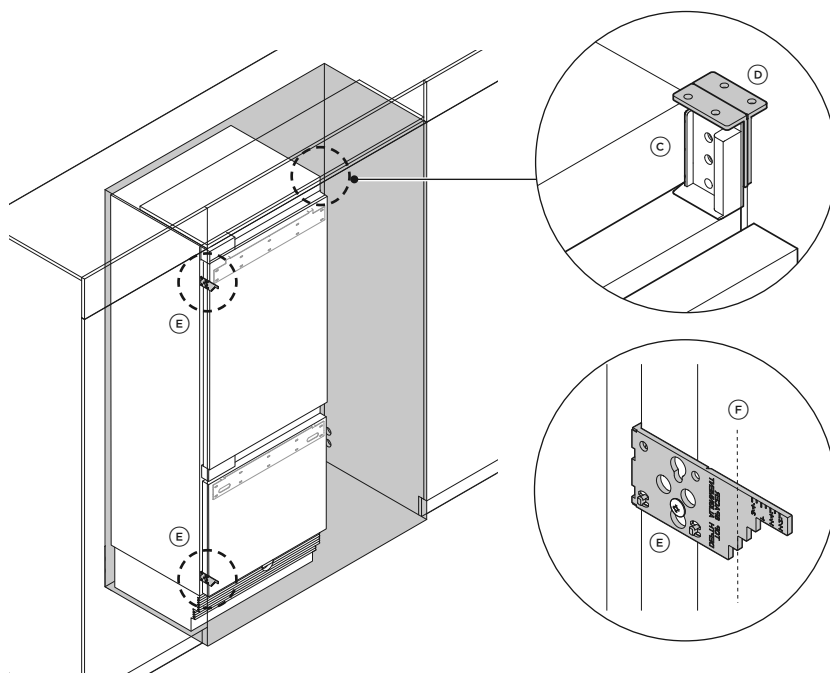
Cross-head screwdriver



Ruler



PROFILE VIEW



Aligning the first appliance into the cabinetry

- ① Roll the first appliance (**A**) slowly into one side of the cabinetry until the anti-tip bracket (**B**) overlaps the back edge of the appliance.
 - Ensure the bracket overlaps the appliance by a minimum 7 1/16" (180mm) for a secure hold. Refer to 'Install anti-tip bracket' for more information.

- ② Align the top cap (**C**) of the first appliance flush with the front of the spacer (**D**).

- ③ Mark the step of the depth gauges (**E**) on the cabinetry side of the door based on the thickness of door panel.
- ④ Align the marked line (**F**) flush with the front surface of the adjacent cabinetry.

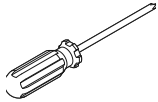
DUAL INSTALLATION

Install fasteners kit

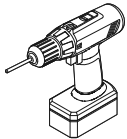


8Gx16 Countersunk screw (6)

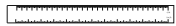
Tools



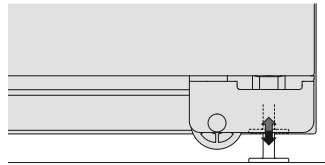
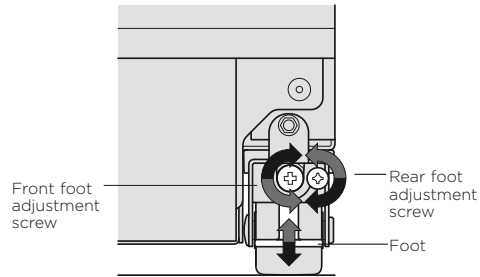
Cross-head screwdriver



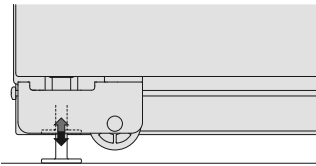
Powered driver (optional)



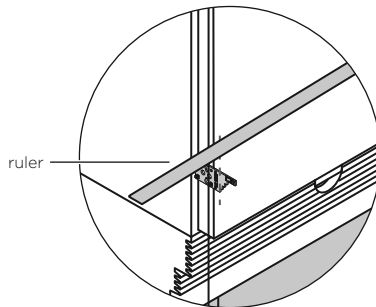
Ruler



Rear foot



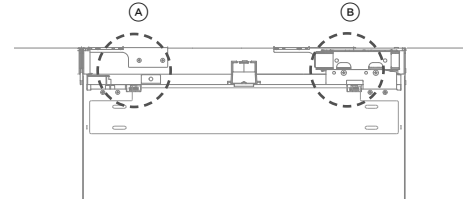
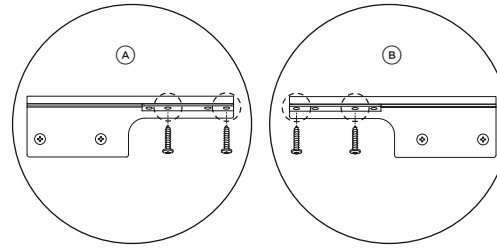
Front foot



Adjusting the height of first appliance in cabinetry

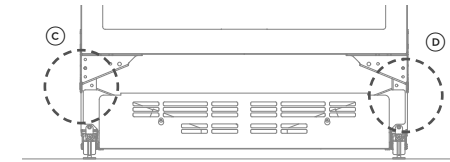
- 1 Turn the front and rear adjustment screws clockwise to raise height of the appliance and counter-clockwise to lower the height.
- 2 Turn the front and rear adjustment screws clockwise to extend the feet until it engages the floor, and the top bracket reaches ceiling of the alcove.

- 3 Check the alignment gauges while adjusting the screws to maintain the alignment of the appliance.
- 4 Using a ruler, check if the gaps between appliance and cabinetry side wall are even.

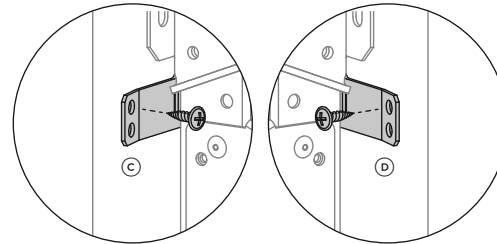


Securing first appliance in cabinetry

- 1 Fix the left and right top brackets (**A**, **B**) to the ceiling surface of the cabinetry with 8Gx16 countersunk screws.

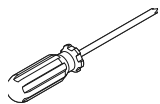


- 2 Fix the left and right lower side brackets (**C**, **D**) to the cabinetry side surface with 8Gx16 countersunk screws.



DUAL INSTALLATION

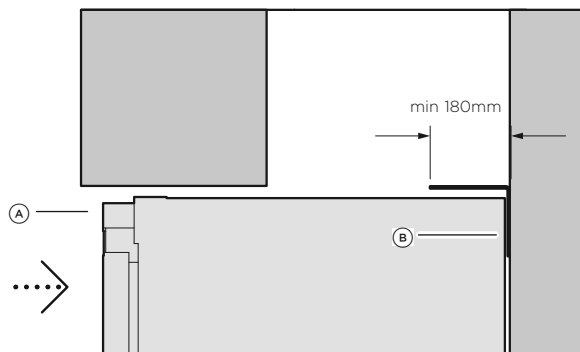
Tools



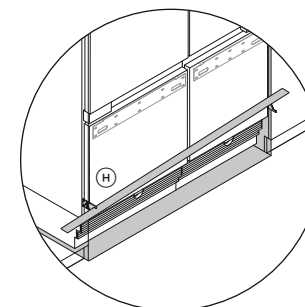
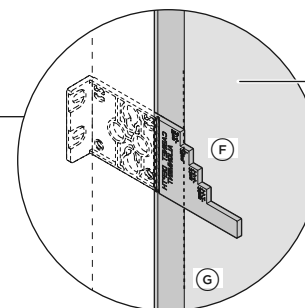
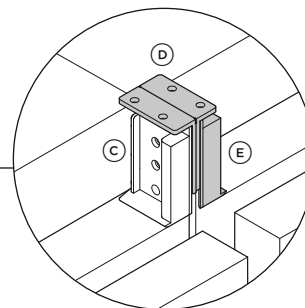
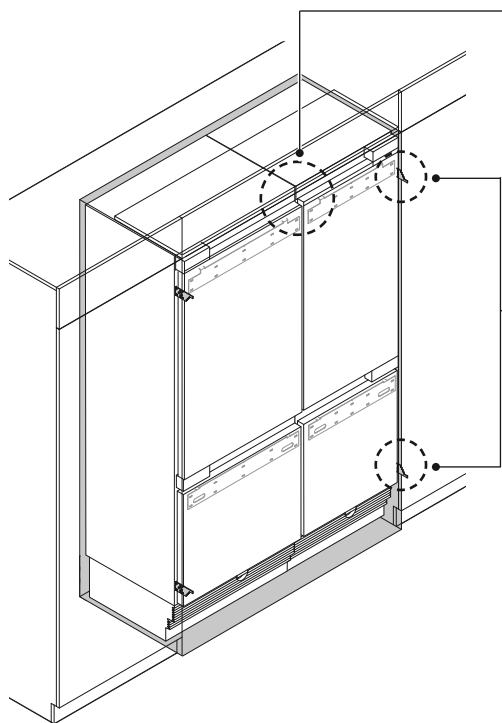
Cross-head screwdriver



Ruler



PROFILE VIEW



Aligning the second appliance into the cabinetry

- ① Push the second appliance (**A**) to roll slowly into the other side of the cabinetry side by side with the first appliance.
 - Ensure the bracket (**B**) overlaps the appliance by a minimum 180mm for a secure hold. Refer to 'Install anti-tip bracket' for more information.

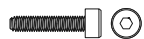
- ② Align the top cap (**C**) of the second appliance flush with the central spacer (**D**) and top cap (**E**) of the first appliance.

- ③ Mark the step of depth gauge (**F**) on the cabinetry side of the door based on the thickness of door panel.
- ④ Align the marked line (**G**) flush with the front surface of the adjacent cabinetry.

- ⑤ Adjust the height of the second appliance. Refer to 'Adjusting the height of first appliance in cabinetry' (page 59).
- ⑥ Using a ruler (**H**), check if the gaps between appliances and cabinetry side walls are even.

DUAL INSTALLATION

Top joiner fastener kit



M5x20 Cap screw (1)



M5x16x1 Plain washer (1)

Bottom joiner fastener kit



M6x16 Washer screw (1)



M6x12x3.2 Plastic washer (1)



M6 Hex nut (1)

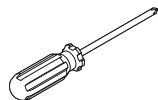


8Gx16 Countersunk screw (5)

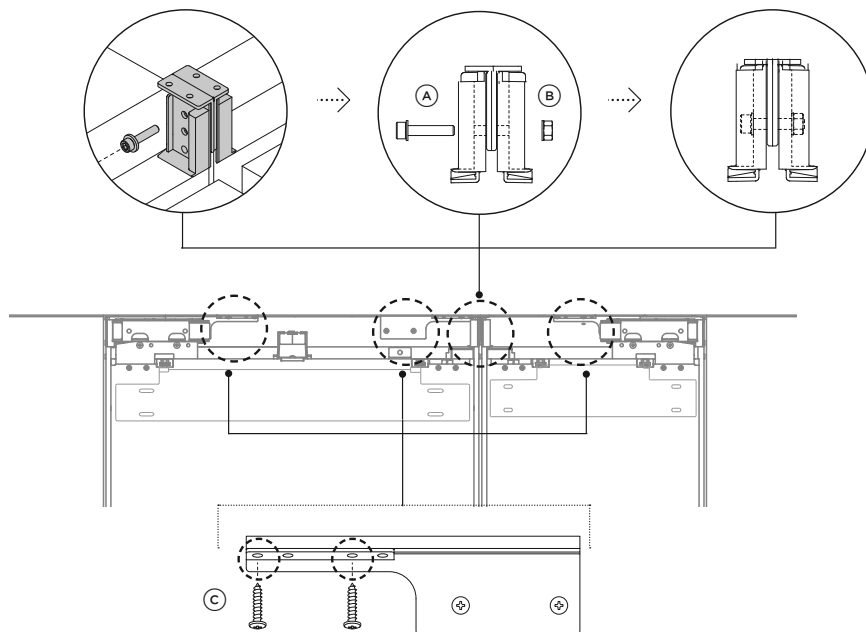
Tools



M4 Hex key

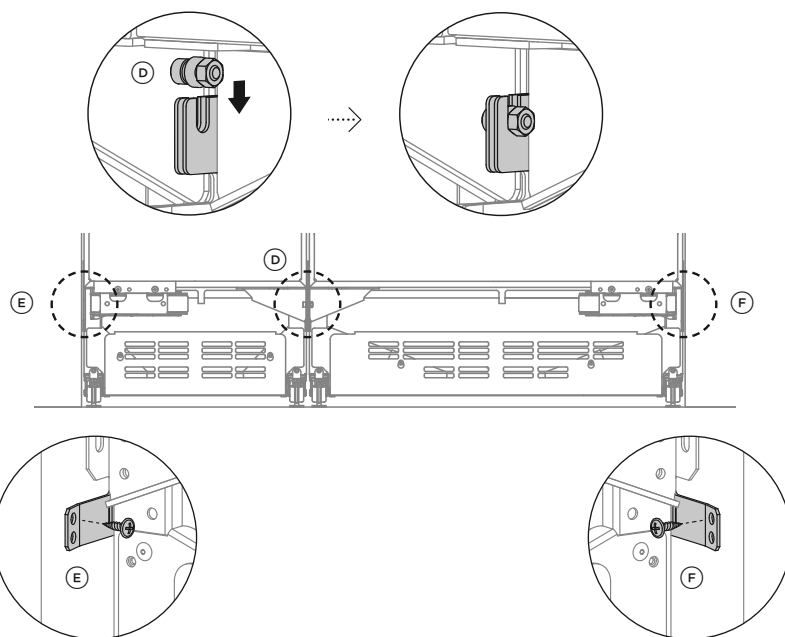


Cross-head screwdriver



Securing the top brackets

- ① Secure the top caps of both appliances to the central spacer with M5x20 cap screw **(A)** and washer **(B)**.
- ② Secure the top brackets to the ceiling surface of the cabinetry with 8Gx16 countersunk screws. **(C)**



Securing the bottom brackets

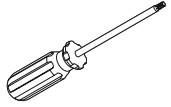
- ③ Secure the bottom joiner brackets of both appliances together with the bottom joiner fastener kit **(D)**.
- ④ Secure the left and right bottom side brackets **(E, F)** of the second appliance to the cabinetry with 8Gx16 countersunk screw.

Refer to the following pages to complete your installation (pages 44-55):

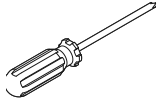
- Remove hanging brackets
- Install door and drawer panels
- Install locking bracket
- Install adjustment brackets
- Install toe kick panel
- Install toe kick grilles
- Install top trim
- Install water filter
- Install air flow divider
- Install cabinet side trims
- Install door and drawer side trims

CHANGE THE DOOR HINGES (OPTIONAL)

Tools



T2 star-head screwdriver

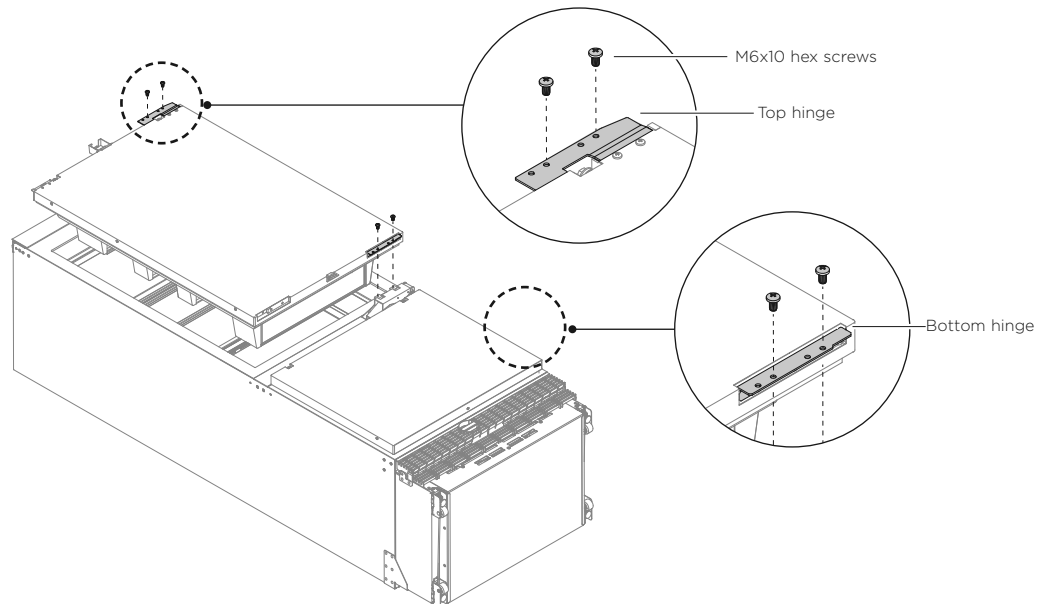
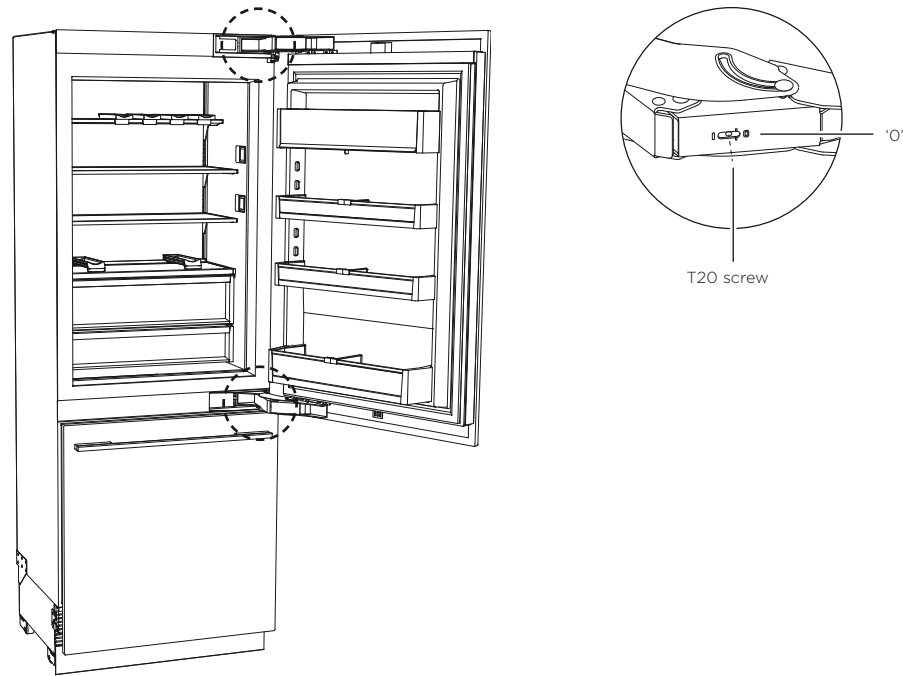


Cross-head screwdriver



Hex key

You have the option to switch the door hinge side of your appliance from right hand hinge to left hand hinge or vice versa. A hinge change kit is required for this installation, and must be purchased separately.



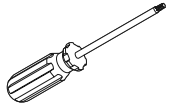
Ensure that you remove all the shelves, covers and trims from the appliance before changing the hinges. Take care not to damage the door.

- ① Release the hinge spring by turning the T20 screw in the hinge to the 'O' position.
- ② Do this to both top and middle hinges.

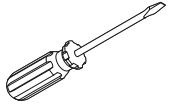
- ③ Close the door and place the appliance on its back on the pallet.
- ④ Detach the door from the appliance by unscrewing the door hinge M6x10 hex screws at the top and middle hinges.

CHANGE THE DOOR HINGES (OPTIONAL)

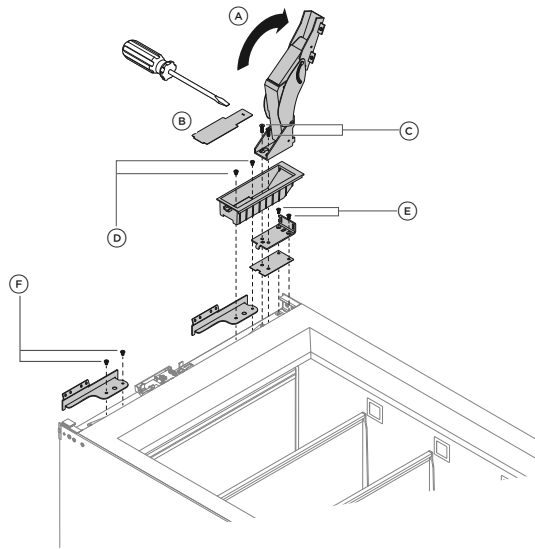
Tools



T2 star-head screwdriver

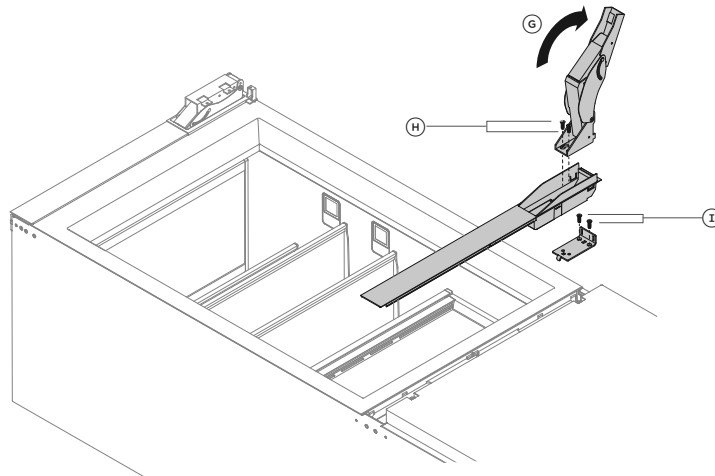


Flat-head screwdriver



Removing the top door hinge

- ① Rotate the top hinge (**A**) outwards and remove the top hinge pocket cover (**B**) using the flat head screwdriver in the slot of the cover.
- ② Unscrew M6x16 countersunk screws (**C**) to remove top hinge, and set aside to use later.
- ③ Unscrew M6x16 countersunk screws (**D**) from hinge pocket to remove hinge pocket and top alcove bracket.
- ④ Unscrew M5x12 countersunk screws (**E**) to remove top hinge bracket and spacer.
- ⑤ For the non-hinge side, remove the top alcove bracket by unscrewing the M6x16 countersunk screws (**F**).

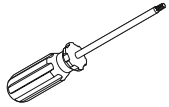


Removing the middle door hinge

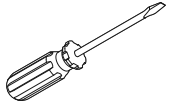
- ① Rotate the middle hinge (**G**) and unscrew M6x16 countersunk screws (**H**) to remove middle hinge, and set aside to use later.
- ② Unscrew M5x12 countersunk screws (**I**) to remove top hinge bracket and spacer.

CHANGE THE DOOR HINGES (OPTIONAL)

Tools

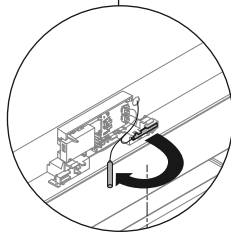
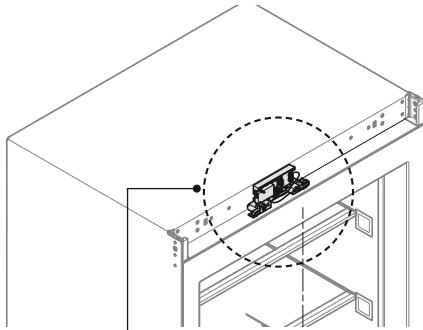


T20 star-head screwdriver

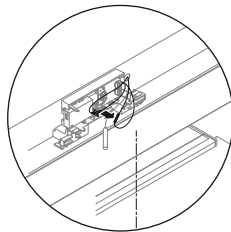


Flat-head screwdriver

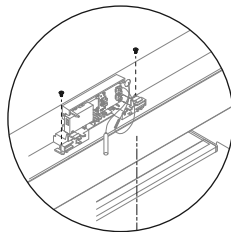
Moving the sensor housing



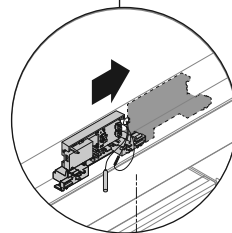
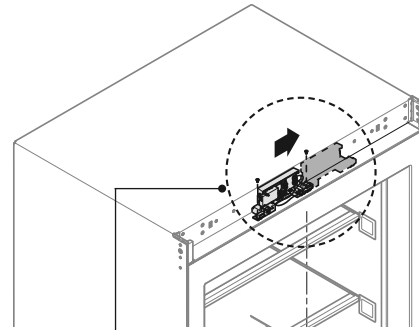
- ① Unclip the hall sensor from the housing.



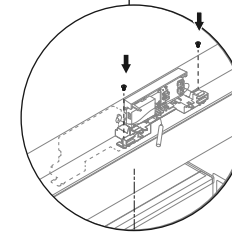
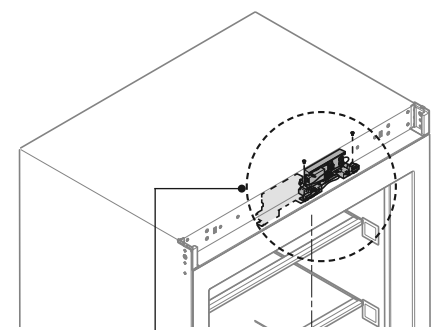
- ② Unhook the interceptor board harness from sensor housing so harness is loose.



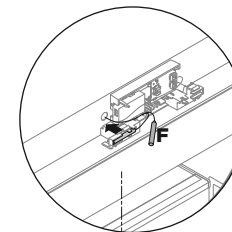
- ③ Remove the #8x16 screws (2x) from the sensor housing.



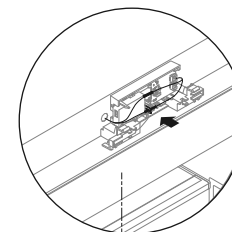
- ④ Move the sensor housing to align the opposite hall sensor clip with the centre of the cabinet.



- ⑤ Reinstall the sensor housing using #8x16 screws (2x) into the pre-drilled holes in the cabinet top panel.



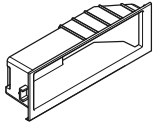
- ⑥ Clip the hall sensor into the sensor housing in the pocket closest to the centreline of the cabinet.



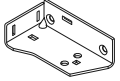
- ⑦ Press the harness from the interceptor board into the forks on the sensor housing.

CHANGE THE DOOR HINGES (OPTIONAL)

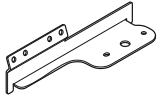
Hinge change assembly



Hinge (right or left) top pocket (1)

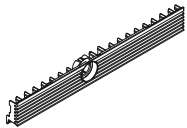


Lower (right or left) hinge bracket (1)

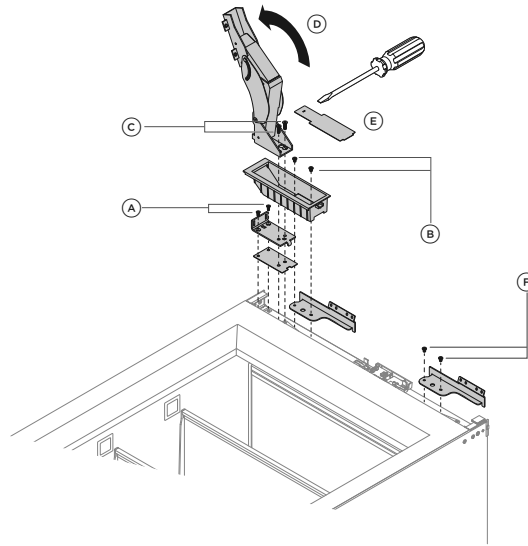


K05 top adapter bracket (1)

Top grille assembly

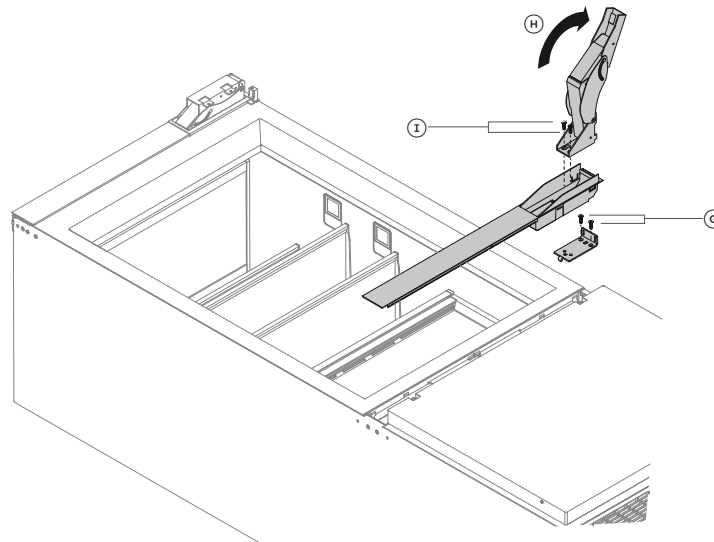


Top (fixed) grille (1)



Reinstalling the top hinge

- ① Reinstall the hinge top bracket and bracket spacer with M5x12 countersunk screws (A) on the new hinge side at the other side of the appliance.
- ② Install the new hinge pocket and alcove top bracket on the new hinge side using two (2x) M6x16 countersunk screws (B).
 - The new hinge pocket and top alcove bracket are supplied with the hinge kit.
- ③ Install the new hinge in the new hinge pocket by screwing M6x16 countersunk screws (2x) (C).
- ④ Open the hinge (D) and reinstall the top hinge pocket cover (E) to the top hinge pocket..
- ⑤ Install a new top alcove bracket on the new non-hinge side (F).

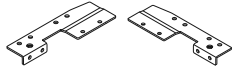


Reinstalling the middle door hinge

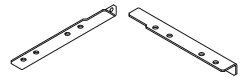
- ① Reinstall the middle hinge bracket and spacer with M5x12 countersunk screws (G).
- ② Open the middle hinge (H) and reinstall the hinge with M6x16 countersunk screws (I).

CHANGE THE DOOR HINGES (OPTIONAL)

Hinge change assembly

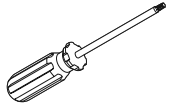


K05 top adaptor bracket R/L (1)

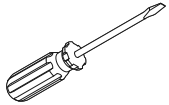


K05 bottom adaptor bracket R/L (1)

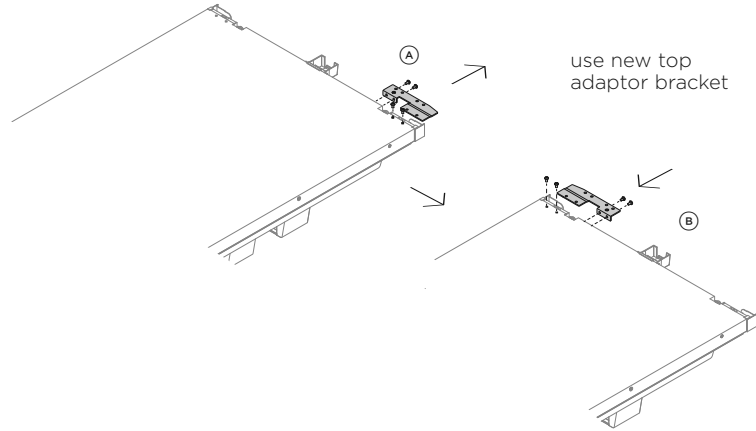
Tools



T2 star-head screwdriver

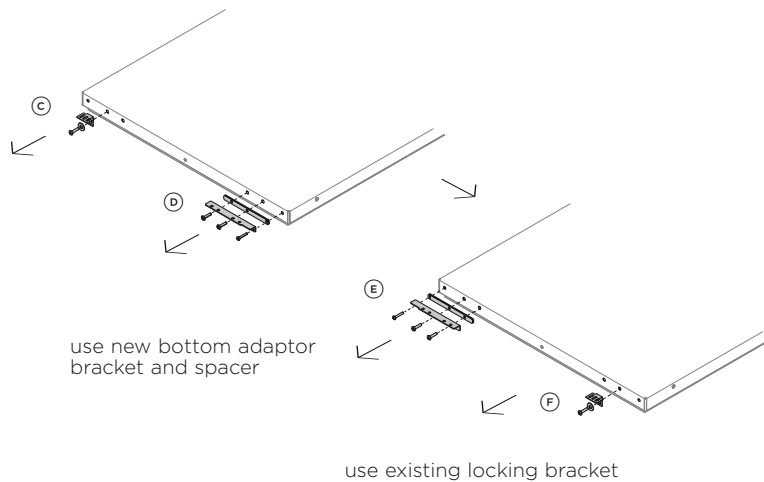


Flat-head screwdriver



Changing the top door bracket

- ① Unscrew the M5x10 screws (4x) to remove the top adaptor bracket from the top of the door (A).
- ② Install the new top adaptor bracket into the other side of the top of the door with M5x10 screws (4x) (B).

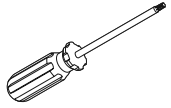


Changing the bottom door bracket

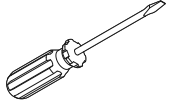
- ① Remove the door panel locking bracket and washer from the bottom of the door by unscrewing M6x25 screw (1x) (C).
- ② Remove the bottom adapter bracket and spacer from the bottom of the door by unscrewing M6x25 screws (2x) and M5x30 screw (1x) (D).
- ③ Install the new bottom adapter bracket and existing spacer to the other side of the door with M6x25 screws (2x) and M5x30 screw (1x) (E).
- ④ Install the existing door panel locking bracket and washer to the other side of the door with M6x25 screw (1x) (F).

CHANGE THE DOOR HINGES (OPTIONAL)

Tools



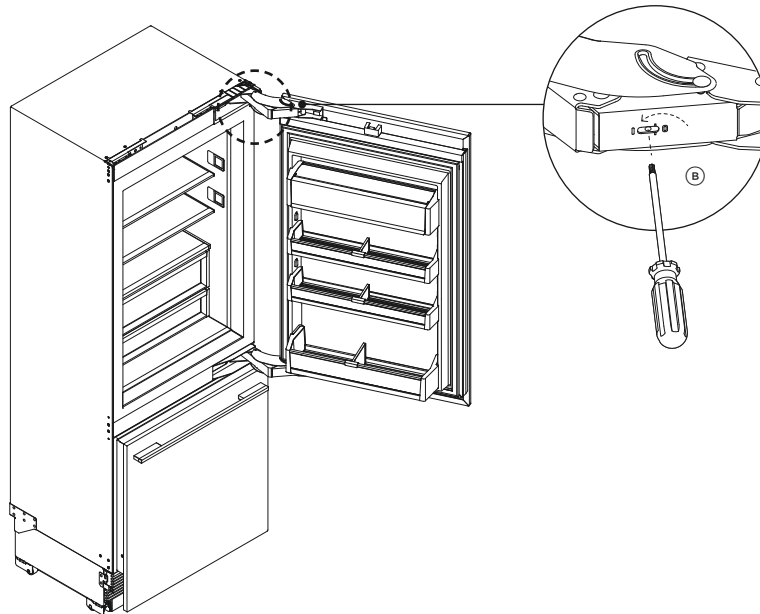
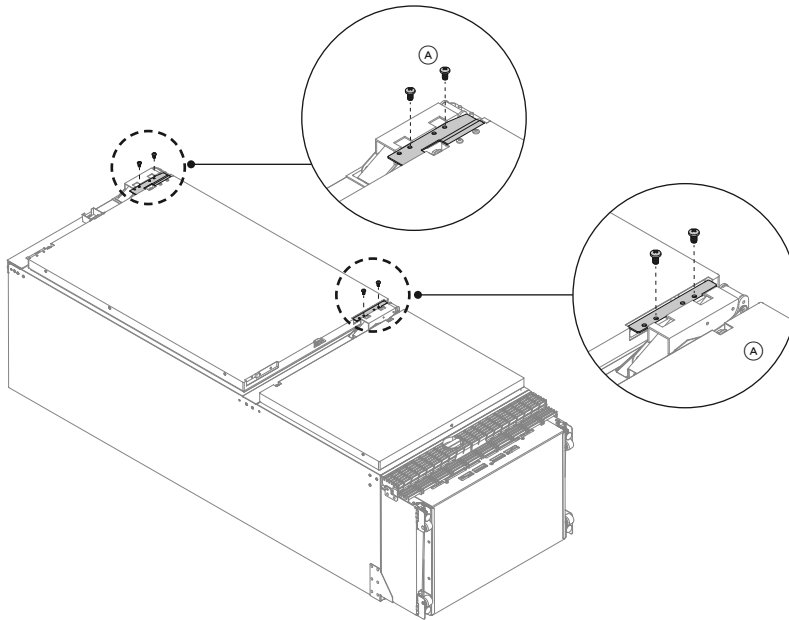
T2 star-head screwdriver



Flat-head screwdriver



Hex key



Reinstalling the door

① Secure the door to the top and middle hinges of the appliance using M6x10 hex screws (4x). **(A)**

② Activate the hinge spring by turning the star T20 screws to the I position. **(B)**

③ Return the appliance to the upright position, and reinstall all covers and trims.

FINAL CHECKLIST



TO BE COMPLETED BY THE INSTALLER

All models

- Check all parts are installed.
- Ensure the appliance is level.
- Ensure the appliance is securely fastened to the cabinetry with the supplied anti-tip bracket and fittings.
- Ensure the door can open and close freely with no resistance from surrounding cabinetry.
- Ensure hinge limiting pin is fitted for 90° door swing.
- Ensure all internal and external packaging is removed from the appliance before use.
- Ensure that you write down and keep the wifi password, serial and model numbers of your appliance.

Complete and keep for safe reference:

Model _____

Serial No. _____

Purchase Date _____

Purchaser _____

Dealer Address _____

Installer's Name _____

Installer's Signature _____

Installation Company _____

Installation Date _____

FISHERPAYKEL.COM

© Fisher & Paykel Appliances 2020. All rights reserved.

The appliance specifications in this document apply to the specific appliances and models described at the date of issue. Under our policy of continuous appliance improvement, these specifications may change at any time. You should therefore check with your Dealer to ensure this document correctly describes the appliance currently available.

US CA

863026B 03.20

F I S H E R & P A Y K E L

COLONNE ENCASTRABLE RÉFRIGÉRATEUR CONGÉLATEUR

Modèles RS2484WR, RS2484WL, RS3084WR
et RS3084WL

GUIDE D'INSTALLATION

US CA

863026B 03.20

TABLE DES MATIÈRES

Consignes de sécurité et mises en garde	4	Options d'installation double	29
Colonnes encastrables — réfrigérateur-congélateur	5	Dimensions de la cavité — installation double RS24 + RS24	30
Vérification de votre appareil	6	Dimensions de la cavité — installation double RS24 + RS30	31
Déplacement de votre appareil	7	Dimensions de la cavité — installation double RS30 + RS30	32
Avant l'installation	8	Dimensions de panneau de plinthe — installation double	33
Pièces fournies	9	Dimensions pour l'alimentation électrique	34
Pièces requises	11	Spécifications électriques	35
panneau de plinthe	11	Spécifications de plomberie	35
Ensemble de panneau de porte	12	Installation du support antibasculement	36
Ensembles de poignée de porte et tiroir	12	Raccordement de l'alimentation en eau et de l'alimentation électrique	38
Ensemble de changement de côté des charnières	13	Positionnement et alignement dans les armoires	40
Dimensions du produit — MODÈLE RS24	14	Fixation de l'appareil aux armoires	45
Dimensions de la cavité — Modèle RS24	15	Retrait des supports d'accrochage	46
Dimensions de panneau de porte — MODÈLE RS24	16	Installation des panneaux de porte et tiroir	47
Dimensions d'installation de panneau de porte sur mesure — MODÈLE RS24	17	Installation du support de blocage	51
Dégagement de la porte — modèle RS24	18	Installation des supports d'ajustement	51
Dégagement du tiroir — modèle RS24	19	Installation du panneau de plinthe	52
Dimensions de la plinthe — modèle RS24	20	Installation des grilles de plinthe	53
Options d'installation de la plinthe	21	Installation de la garniture supérieure	53
Dimensions du produit — modèle RS30	22	Installation du filtre à eau	54
Dimensions de la cavité — Modèle RS30	23	Installation du diviseur de débit d'air	55
Dimensions de panneau de porte — modèle RS30	24	Installation des garnitures latérales de bâti	56
Dimensions d'installation de panneau de porte sur mesure — modèle RS30	25	Installation des garnitures latérales de porte et tiroir	57
Dégagement de la porte — modèle RS30	26	Installation double	58
Dégagement du tiroir — modèle RS30	27	Changement de côté des charnières de porte (étape optionnelle)	64
Dimensions de la plinthe — modèle RS30	28	Liste de vérification finale	70

CONSERVEZ CES INSTRUCTIONS

Les modèles illustrés dans ce guide d'installation peuvent ne pas être disponibles dans tous les pays et sont sujets à modifications sans préavis. Pour les plus récentes informations sur la disponibilité des modèles et des caractéristiques dans votre pays, visitez notre site Web fisherpaykel.com ou contactez votre détaillant Fisher & Paykel local.

⚠ MISE EN GARDE!



Risque de choc électrique
Lisez et observez les consignes de sécurité et mises en garde contenues dans ce guide d'installation avant d'utiliser cet appareil.
Le fait de ne pas respecter ces consignes peut causer la mort, un choc électrique, un incendie ou des blessures.

⚠ MISE EN GARDE!



Risque de coupure
Attention – les bords du panneau sont tranchants.
Des blessures ou des coupures peuvent survenir si vous ne faites pas preuve de prudence.

⚠ MISE EN GARDE!



Comme cet appareil est lourd du haut, vous devez le fixer pour éviter qu'il ne bascule vers l'avant.
Pour assurer la stabilité de l'appareil dans toutes les conditions d'utilisation, le support antibasculement et les raccords fournis doivent être installés par un installateur professionnel, conformément aux étapes d'installation suivantes.

MISE EN GARDE!

Pour réduire les risques de danger, suivez attentivement ces instructions avant d'installer ou utiliser cet appareil.

- Veuillez remettre ces informations à la personne qui installera l'appareil.
- Présumez que toutes les pièces électriques sont sous tension.
- Déconnectez l'alimentation électrique avant de procéder à l'entretien et à l'installation.

AVANT L'INSTALLATION

- L'appareil est muni de roulettes avant et arrière qui facilitent le déplacement vers l'avant et l'arrière. Pour éviter d'endommager les roulettes ou le revêtement/la surface du plancher, ne déplacez pas l'appareil latéralement.
- Veillez à ce que votre appareil ne soit exposé à aucun appareil générant de la chaleur comme une surface de cuisson, un four ou un lave-vaisselle.
- Pour éviter des raccordements d'alimentation électrique et de plomberie incorrects, faites installer l'appareil par un installateur qualifié ou un technicien de service formé et supporté par Fisher & Paykel.
- Tous les raccordements d'alimentation électrique et de mise à la terre doivent être conformes aux codes et règlements locaux et être effectués par un technicien autorisé, lorsque nécessaire.
- Évitez d'installer les appareils à proximité d'un disjoncteur différentiel de fuite à la terre (DDFT).
- Assurez-vous que l'appareil est installé correctement. Les défaillances de l'appareil résultant d'une installation incorrecte ne sont pas couvertes par la garantie de l'appareil.

DÉBALLAGE

- L'appareil est lourd; le déplacement et l'installation nécessitent au moins deux personnes.
- Retirez l'ensemble d'installation (boîte interne) et l'ensemble de garnitures (boîte externe) pendant que le produit est toujours sur la palette.
- Évitez d'égratigner la surface de votre appareil lors du déplacement ou de l'installation.
- Gardez l'appareil stable et la porte fermée pour éviter tout basculement lors du déplacement jusqu'à l'emplacement d'installation.
- Assurez-vous que les pattes de l'appareil sont rétractées avant le déplacement jusqu'à l'emplacement d'installation.
- Si l'appareil est endommagé, communiquez avec votre détaillant Fisher & Paykel.
- Assurez-vous que toutes les pièces et tous les accessoires sont complets. Reportez-vous à la page 'Before Installation'.
- Notez le mot de passe Wi-Fi par défaut et les numéros de modèle et d'enregistrement pour toute demande de service ou réparation ultérieure de votre appareil.

RACCORDEMENT ÉLECTRIQUE/PLOMBERIE

- Les raccordements de l'alimentation en eau et de l'alimentation électrique de ces appareils doivent être situés dans une zone ou unité (armoire) adjacente facilement accessible en cas de réparation ou déconnexion.
- Assurez-vous qu'un interrupteur de sectionnement soit disponible si le raccordement de l'alimentation électrique n'est pas accessible.

INSTALLATION

Préparation de la cavité

- Le support antibasculement et les raccords fournis doivent être installés au mur de l'emplacement d'encastrement fini afin de procurer une capacité de charge de 225 lb/100 kg.

- Assurez-vous que le support antibasculement soit installé correctement pour éviter que l'appareil puisse basculer vers l'avant lorsque la porte est ouverte.

Positionnement dans les armoires

- Assurez-vous que la porte de l'appareil soit fermée lors du déplacement dans les armoires.
- Veillez à ne pas endommager ou rouler sur le cordon d'alimentation lors du déplacement du produit dans les armoires.

Alignement dans les armoires

- Pour une installation encastrée, assurez-vous que les panneaux de portes soient installés au même niveau que la surface avant des armoires. Assurez-vous que l'appareil est correctement centré.
- Les quatre coins de l'appareil doivent tous reposer fermement sur le plancher pour éliminer tout mouvement. L'installation de l'appareil sur un plancher souple, inégal ou qui n'est pas de niveau pourrait entraîner une déformation et compromettre l'étanchéité de la porte.

Fixation dans les armoires

- Utilisez un réglage à faible couple et basse vitesse lors de l'utilisation d'une visseuse électrique pour serrer les vis pendant la fixation ou l'alignement du produit.
- Assurez-vous de retirer les supports d'alignement de profondeur avant de fixer l'appareil dans les armoires.
- Ouvrez la porte de l'appareil pour retirer les supports d'alignement des deux côtés de l'appareil, puis resserrez les vis.

Installation du panneau de porte

Panneau en acier inoxydable

- Protégez le fini des panneaux de portes en acier inoxydable de Fisher & Paykel pour éviter de l'égratigner ou l'endommager.
- Après l'installation des poignées, retirez le ruban bleu apposé sur les rebords intérieurs des panneaux de portes.
- Nous vous recommandons de placer des articles d'un certain poids dans les tablettes de porte de l'appareil pour assurer la mesure précise de l'espacement du panneau de porte.

Panneau sur mesure

- Si vous utilisez des panneaux de portes sur mesure, assurez-vous qu'ils soient conformes à la section 'Custom door panel install dimensions'.
- L'épaisseur du panneau de porte sur mesure peut varier, du moment que les vis ne pénètrent pas au-delà de la profondeur totale du panneau de porte, et que le poids total du panneau ne dépasse pas 55 lb/25 kg.
- Pour éviter tout contact avec les supports de fixation du panneau, ne placez pas les trous de poignée dans les zones indiquées.
- L'épaisseur de panneau minimale à l'emplacement de perçage du trou de vis doit être de 16 mm.

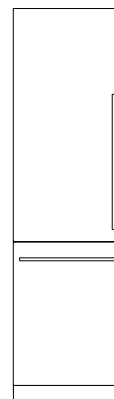
Changement de côté des charnières de porte (étape optionnelle)

- Les charnières de porte sont interchangeables sur chaque modèle. Un ensemble de changement de côté des charnières peut être acheté séparément si vous préférez un changement du 'côté droit' au 'côté gauche' ou vice versa.

24 PO (610 mm)

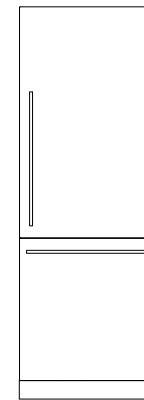


RS2484WR

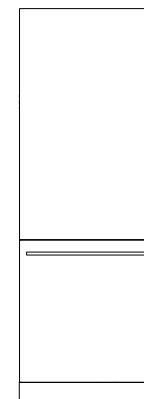


RS2484WL

30 PO (762 mm)



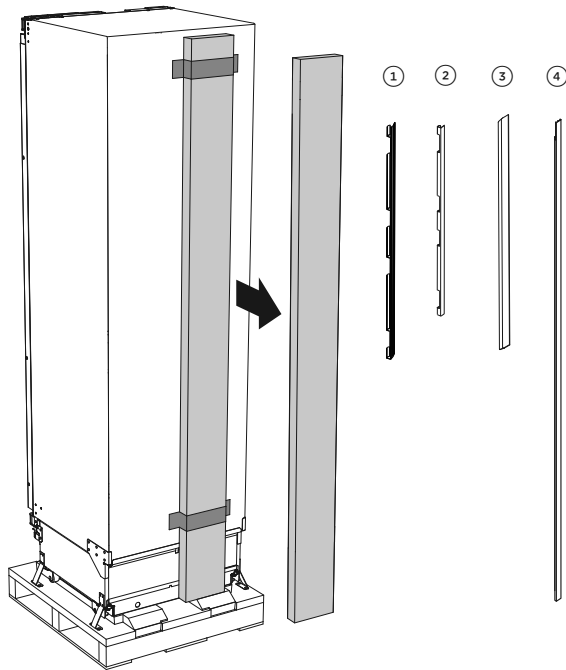
RS3084WR



RS3084WL

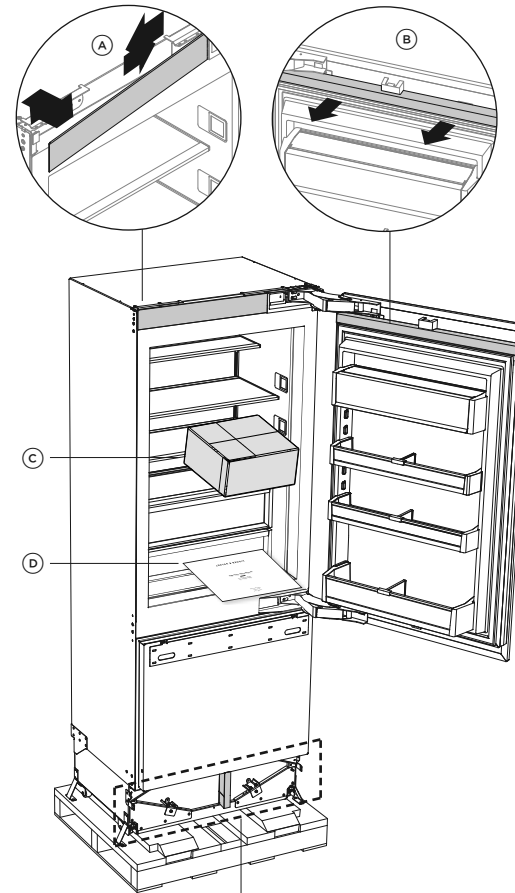
VÉRIFICATION DE VOTRE APPAREIL

- Assurez-vous de suivre les étapes de déballage imprimées sur la boîte d'emballage de votre appareil.
- Vérifiez que le modèle de l'appareil est bien celui que vous avez commandé.
- Vérifiez que toutes les pièces sont présentes et tous les ensembles d'installation sont complets.



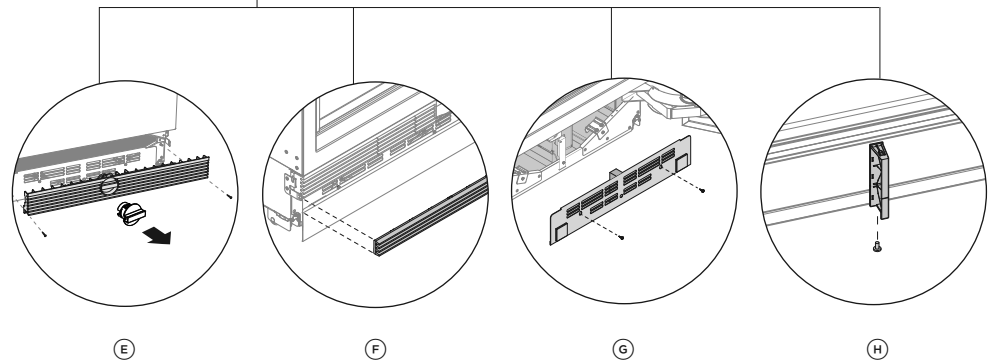
Retirez la boîte externe (ensemble de garnitures) de l'arrière de l'appareil. La boîte contient :

- ① Profilé latéral du panneau de porte supérieur
- ② Profilé latéral du panneau de tiroir inférieur
- ③ Garniture supérieure de tiroir inférieur
- ④ Garniture latérale de bâti



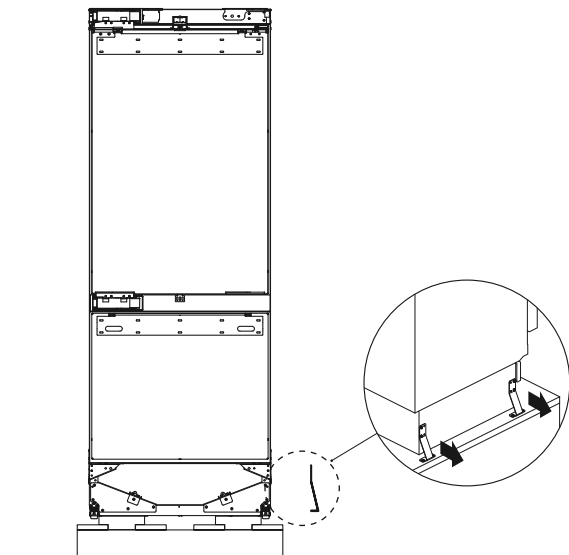
Retirez l'ensemble d'installation, l'emballage d'articles divers et les pièces préinstallées. Conservez toutes les pièces pour les utiliser ultérieurement.

- Ⓐ Garniture supérieure
- Ⓑ Profilé supérieur de porte
- Ⓒ Ensemble d'installation
- Ⓓ Emballage d'articles divers et ensemble de filtre à eau
- Ⓔ Grille supérieure et outil de filtre à eau
- Ⓕ Grille inférieure
- Ⓖ Plaque de fixation de la plinthe
- Ⓗ Diviseur de débit d'air

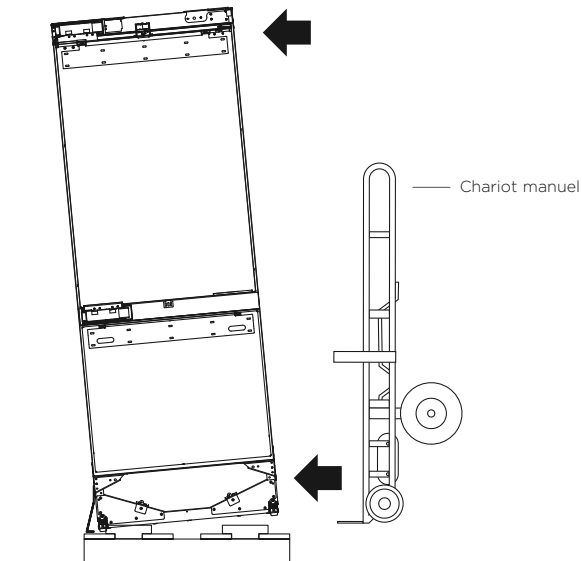


DÉPLACEMENT DE VOTRE APPAREIL

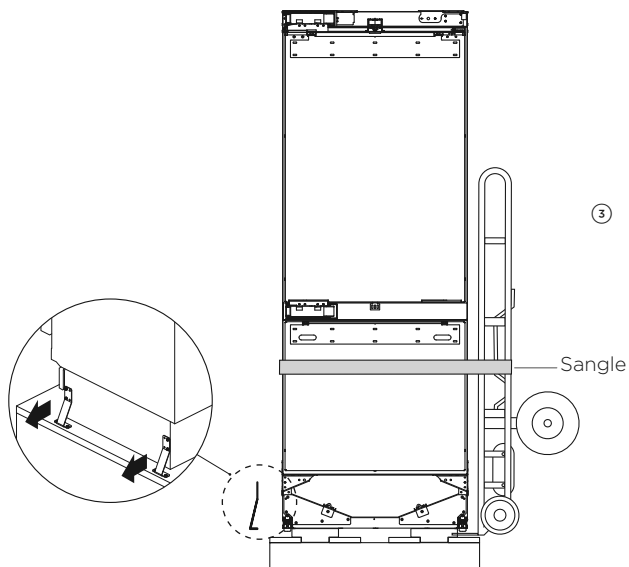
- Suivez les étapes ci-dessous pour déplacer votre appareil jusqu'à l'emplacement d'installation.
- Soyez prudent lorsque vous inclinez l'appareil vers l'avant/arrière.
- Appliquez du ruban adhésif pour maintenir les portes fermées et empêcher leur ouverture pendant le déplacement de l'appareil.



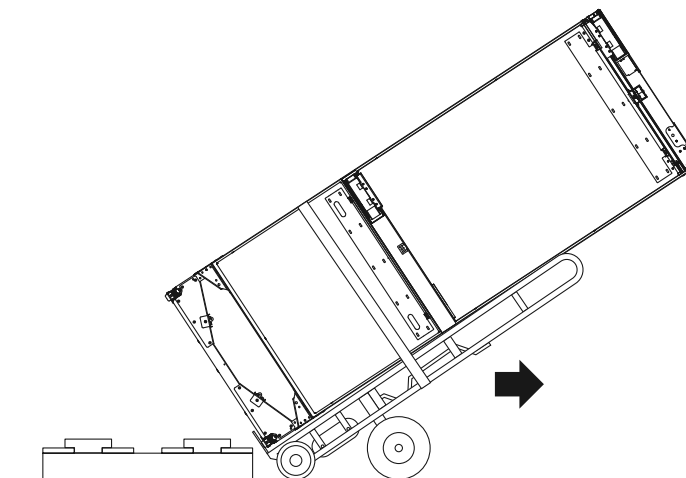
- ① Retirez les supports sur le côté sans charnière de la palette.



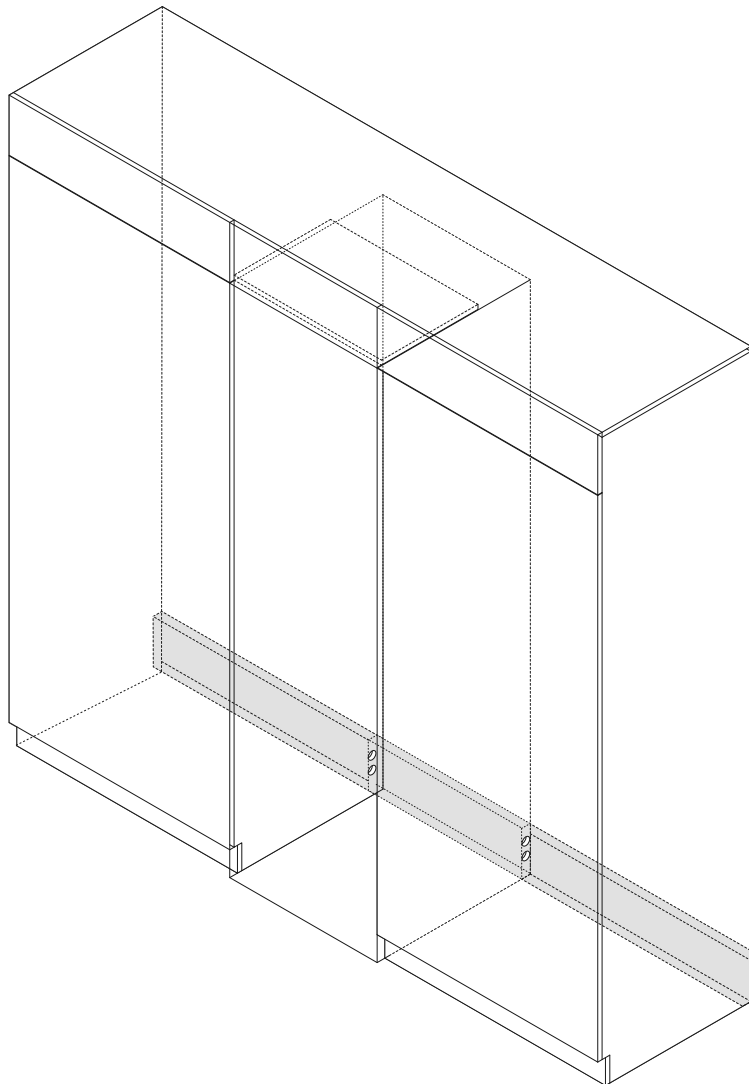
- ② Inclinez légèrement l'appareil vers l'avant et insérez le chariot manuel entre la palette et l'appareil.



- ③ Attachez l'appareil à l'aide d'une sangle et retirez les supports restants.



- ④ Inclinez vers l'arrière pour charger l'appareil sur le chariot manuel et poussez jusqu'à l'emplacement d'installation.



Vérifiez les armoires

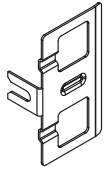
- Vérifiez les dimensions des armoires : hauteur, largeur, profondeur, niveau du plancher, finitions de l'alcôve. Reportez-vous à 'Dimensions de la cavité' pour les mesures adéquates.

Vérifiez les raccordements d'alimentation électrique et d'alimentation en eau

- Assurez-vous de brancher chaque appareil à une prise électrique distincte.
- Pour prévenir les interruptions d'alimentation accidentelles de l'appareil, évitez de partager le point d'alimentation avec d'autres appareils.
- Pour connaître les caractéristiques d'alimentation requises, reportez-vous aux informations inscrites sur la plaque signalétique.
- Assurez-vous que votre appareil est correctement mis à la terre.
- Raccordez votre appareil à l'alimentation électrique à l'aide de la fiche et du cordon dont il est muni.
- Si le raccordement à l'alimentation électrique se trouve derrière l'appareil, nous recommandons d'installer un interrupteur de sectionnement auquel l'utilisateur pourra facilement accéder pour toute réparation ou déconnexion.
- Si le raccordement d'alimentation en eau se trouve derrière l'appareil, nous recommandons de raccorder le tuyau à la sortie avec un angle si le dégagement est insuffisant entre le mur et l'arrière de l'appareil.
- Respectez les codes et règlements locaux lors de l'installation de l'appareil.

PIÈCES FOURNIES

ENSEMBLE DE FIXATION DE PANNEAU DE PORTE



Support latéral
(6)



Pièce d'insertion pour support
(6)

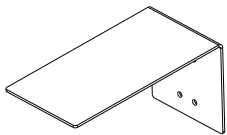


Pièce d'espacement de support
latéral
(6)

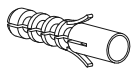


**Pour les panneaux de portes
sur mesure :**
Vis cruciforme M5x12 (32)

ASSEMBLAGE DE SUPPORT ANTIBASCULEMENT



Support antibascullement
(1)

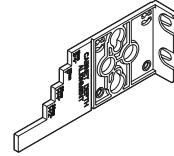


Cheville pour maçonnerie
(4)

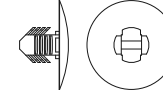


Vis cruciforme 10-12x35 mm
(5)

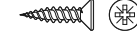
ENSEMBLE DE FIXATIONS D'INSTALLATION



Jauge d'alignement de
profondeur
(4)



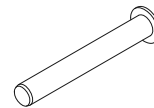
Embout cannelé
(2)



Vis à tête fraisée 8Gx16
(7)

PIÈCES DIVERSES

Fournies dans des sacs distincts



Tige de limitation de charnière
(3)



Joint d'étanchéité à l'air de la
plinthe
(1)



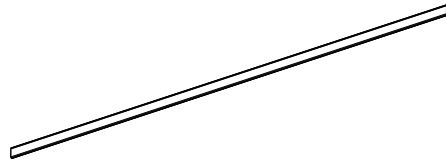
Clip de blocage
(2)

PIÈCES FOURNIES

ENSEMBLE D'INSTALLATION DE GARNITURES (BOÎTE EXTERNE)



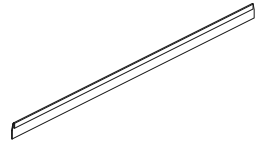
Profilé latéral du panneau de porte supérieur
(2)



Garniture latérale de bâti
(2)



Profilé latéral du panneau de tiroir inférieur (2)



Garniture supérieure de tiroir inférieur
(1)

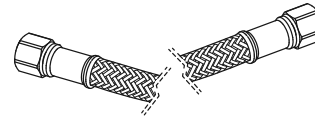
ENSEMBLE DE FILTRE À EAU



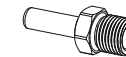
Clip de blocage de collet
(1)



Filtre à eau
(1)



Tuyau tressé en acier inoxydable UNS de 7/16 po
(11 mm)
(1)



Adaptateur de 1/4 po (6,35 mm)
(2)

EMBALLAGE D'ARTICLES DIVERS



Guide d'utilisation
(6)

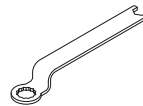


Guide d'installation
(1)

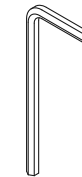


Service et garantie
(1)

OUTILS FOURNIS



Clé pour porte
(1)

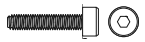


Clé hexagonale M4
(1)

ENSEMBLE DE LIAISON POUR INSTALLATION

Utilisé pour l'installation double ou multiple avec plusieurs appareils. Peut être acheté séparément auprès d'un détaillant Fisher & Paykel autorisé. Visitez le site fisherpaykel.com pour plus d'informations.

Ensemble de fixation de liaison supérieure



Vis d'assemblage M5x20
(1)



Rondelle plate M5x16x1
(1)

Ensemble de fixation de liaison inférieure



Vis rondelle M6x16
(1)



Rondelle de plastique M6x12x3,2
(1)

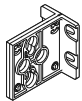


Écrou hexagonal M6
(1)

Ensemble de support de liaison supérieure



Vis rondelle 8Gx16
(2)



Pièce d'espacement centrale
(1)

PANNEAU DE PLINTHE

Non fourni; peut être acheté séparément auprès d'un détaillant Fisher & Paykel autorisé. Visitez le site fisherpaykel.com pour plus d'informations.

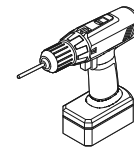


Panneau de plinthe (1)

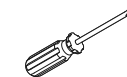
- La hauteur de la plinthe standard est de 102 mm pour le panneau de porte en acier inoxydable standard.
- Pour l'installation d'un panneau de porte sur mesure, une plinthe de 2 à 6 po (50 à 152 mm) doit être fabriquée et ajustée en conséquence.
- Une grille inférieure supplémentaire est requise pour l'installation d'une plinthe de 2 po (50 mm). Vous pouvez vous procurer la grille inférieure supplémentaire (Pièce n° 847542P) en ligne sur le site fisherpaykel.com.

OUTILS REQUIS

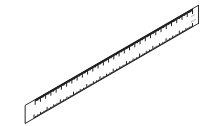
Non fourni; doit être fourni par l'installateur.



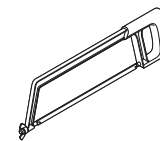
Visseuse électrique



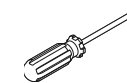
Tournevis à pointe plate



Règle



Scie à métaux



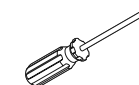
Tournevis cruciforme



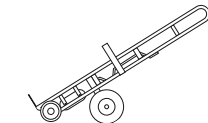
Crayon



Couteau à lame rétractable

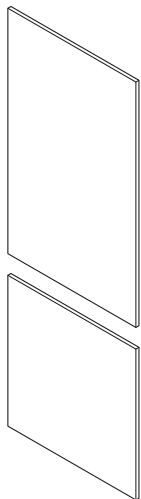


Tournevis à pointe T20 étoilée



Chariot manuel

ENSEMBLE DE PANNEAU DE PORTE



Ensemble de panneau de porte en acier inoxydable

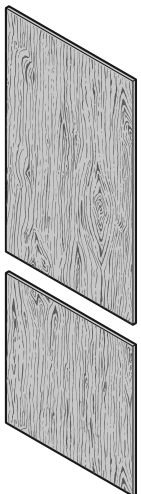
Non fourni; doit être acheté séparément auprès d'un détaillant Fisher & Paykel autorisé. Visitez le site fisherpaykel.com pour plus d'informations.

MODÈLE	D	G
RS24	CA 25715	CA 25716
RS30	CA 25713	CA 25714



Pour les panneaux de portes en acier inoxydable :

Vis rondelle 8Gx16 (32)



Ensemble de panneau de porte sur mesure

Fourni par les clients, adapté aux armoires.

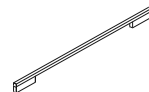
ENSEMBLES DE POIGNÉE DE PORTE ET TIROIR

Non fourni; doit être acheté séparément auprès d'un détaillant Fisher & Paykel autorisé. Visitez le site fisherpaykel.com pour plus d'informations. Sélectionnez parmi les options d'ensemble de poignée ci-dessous :

ENSEMBLE DE POIGNÉE

RS24

RS30



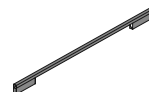
Poignée carrée fine en aluminium (1)



Vis hexagonale M5x25 (4)

CA 25865

CA 25864



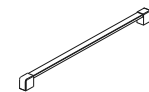
Poignée carrée fine noire (1)



Vis hexagonale M5x25 (4)

CA 25911

CA 25910



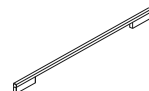
Poignée carrée de style professionnel (1)



Vis hexagonale M5x25 (4)

CA 25732

CA 25724



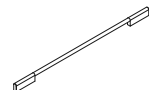
Poignée carrée en aluminium (1)



Vis hexagonale M5x25 (4)

CA 25729

CA 25721



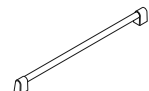
Poignée arrondie en aluminium (1)



Vis hexagonale M5x25 (4)

CA 25731

CA 25723



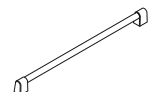
Poignée arrondie de style professionnel (1)



Vis hexagonale M5x25 (4)

CA 25730

CA 25722



Poignée arrondie affleurante de style professionnel (1)



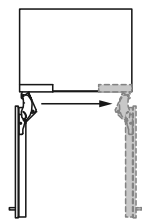
Vis hexagonale M5x25 (4)

CA 25923

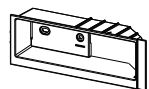
CA 25922

ENSEMBLE DE CHANGEMENT DE CÔTÉ DES CHARNIÈRES

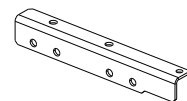
Non fourni; vendu séparément. Disponible en ligne sur le site fisherpaykel.com.



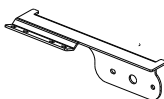
MODÈLE	ENSEMBLE POUR CHARNIÈRE GAUCHE À CHARNIÈRE DROITE
RS24	CA 848184P
RS30	CA 848184P



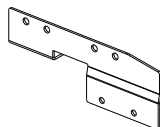
Cavité de charnière supérieure droite
(2)



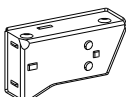
Support adaptateur inférieur K05 droit
(1)



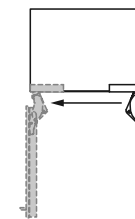
Support supérieur pour alcôve droit
(1)



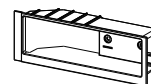
Support adaptateur supérieur K05 droit
(1)



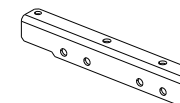
Support de charnière inférieure droite
(1)



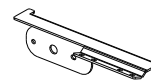
MODÈLE	ENSEMBLE POUR CHARNIÈRE DROITE À CHARNIÈRE GAUCHE
RS24	CA 848183P
RS30	CA 848183P



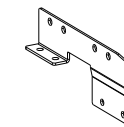
Cavité de charnière supérieure gauche
(2)



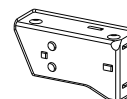
Support adaptateur inférieur K05 gauche
(1)



Support supérieur pour alcôve gauche
(1)

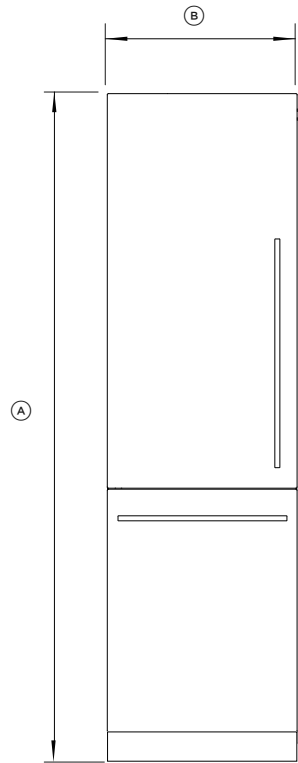


Support adaptateur supérieur K05 gauche
(1)

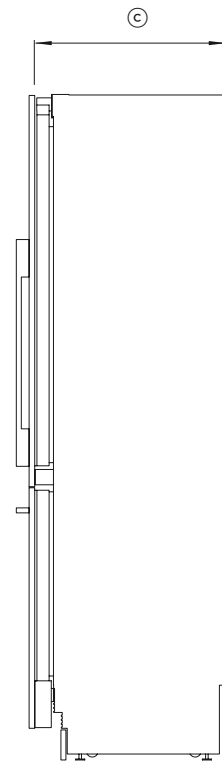


Support de charnière inférieure gauche
(1)

DIMENSIONS DU PRODUIT – MODÈLE RS24



VUE DE FACE



VUE DE PROFIL

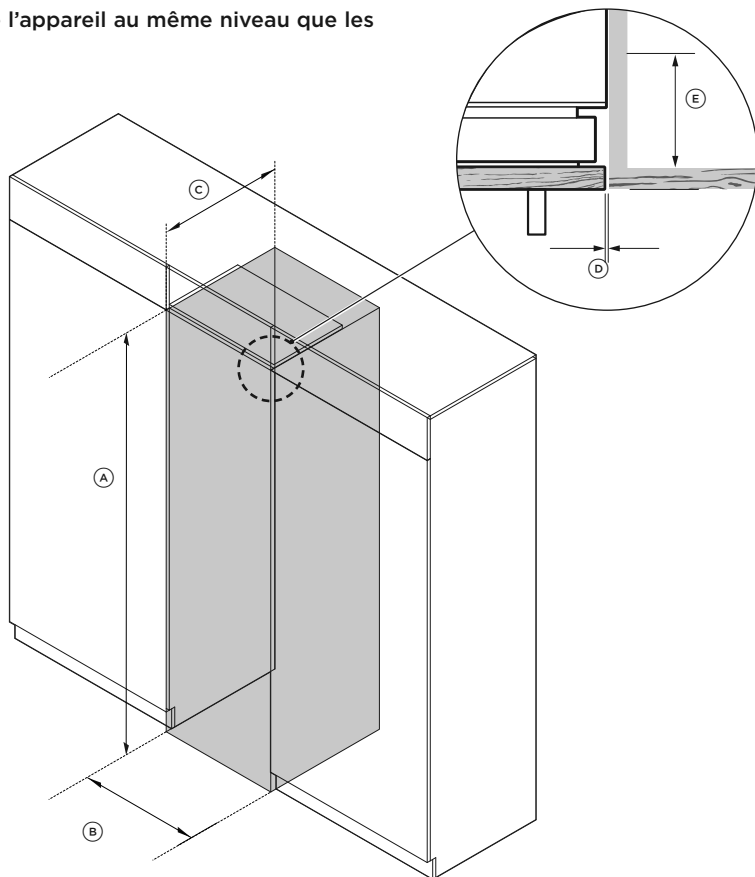
DIMENSIONS DU PRODUIT	PO	MM
Ⓐ Hauteur hors tout du produit	84	2 134
Ⓑ Largeur hors tout du produit	23 3/4	603
Ⓒ Profondeur hors tout du produit (excluant le panneau de porte avant)	24	610

POIDS DU PRODUIT	LB	KG
Poids (avec l'emballage)	357	162
Poids (sans l'emballage)	313	142

DIMENSIONS DE LA CAVITÉ – MODÈLE RS24

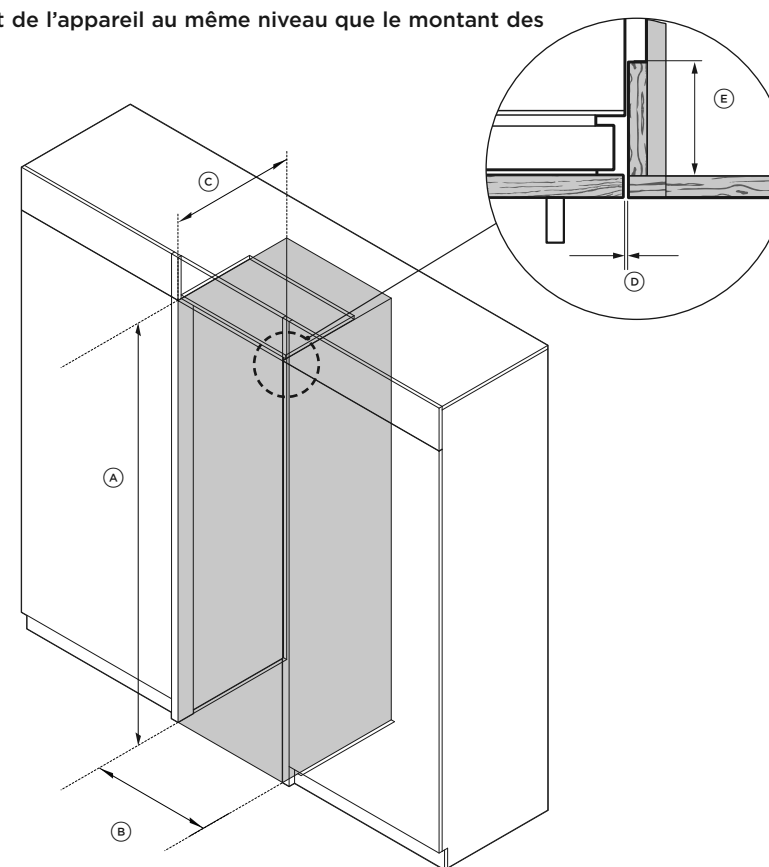
ARMOIRES SANS MONTANT

Alignement de l'appareil au même niveau que les armoires.



ARMOIRES AVEC MONTANT

Alignement de l'appareil au même niveau que le montant des armoires.

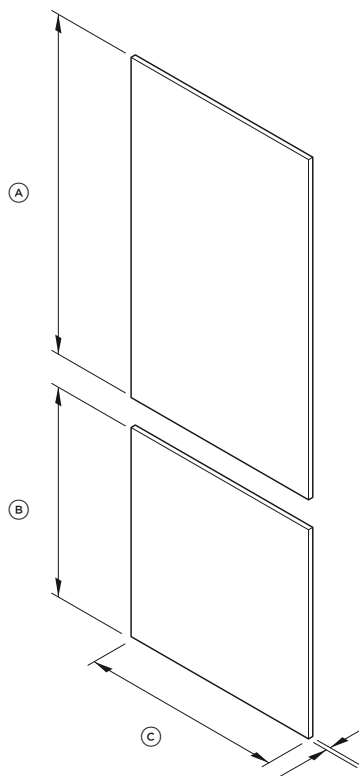


DIMENSIONS	PO	MM
(A) Hauteur hors tout de la cavité	84	2 134
(B) Largeur hors tout de la cavité	24	610
(C) Profondeur hors tout minimale de la cavité*	25	635
(D) Dégagement minimal des armoires à partir du bord des panneaux de portes	1/8	3
(E) Finition minimale requise	4	102

* En supposant une épaisseur de panneau de porte de 3/4 po (19 mm).

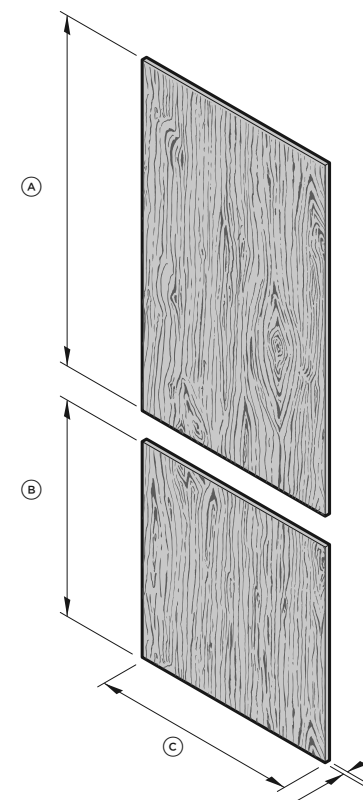
DIMENSIONS DE PANNEAU DE PORTE – MODÈLE RS24

..... PANNEAU EN ACIER INOXYDABLE



DIMENSIONS	PO	MM
Ⓐ Hauteur du panneau de porte supérieur	49 3/8	1 254
Ⓑ Hauteur du panneau de tiroir inférieur	30 3/8	772
Ⓒ Largeur du panneau de porte/tiroir	23 3/4	603
Ⓓ Profondeur du panneau de porte (excluant la poignée de porte)	3/4	19
POIDS DU PANNEAU DE PORTE	LB	KG
Poids du panneau de porte supérieur*	20	9
Poids du panneau de tiroir inférieur*	13	6

..... PANNEAU SUR MESURE



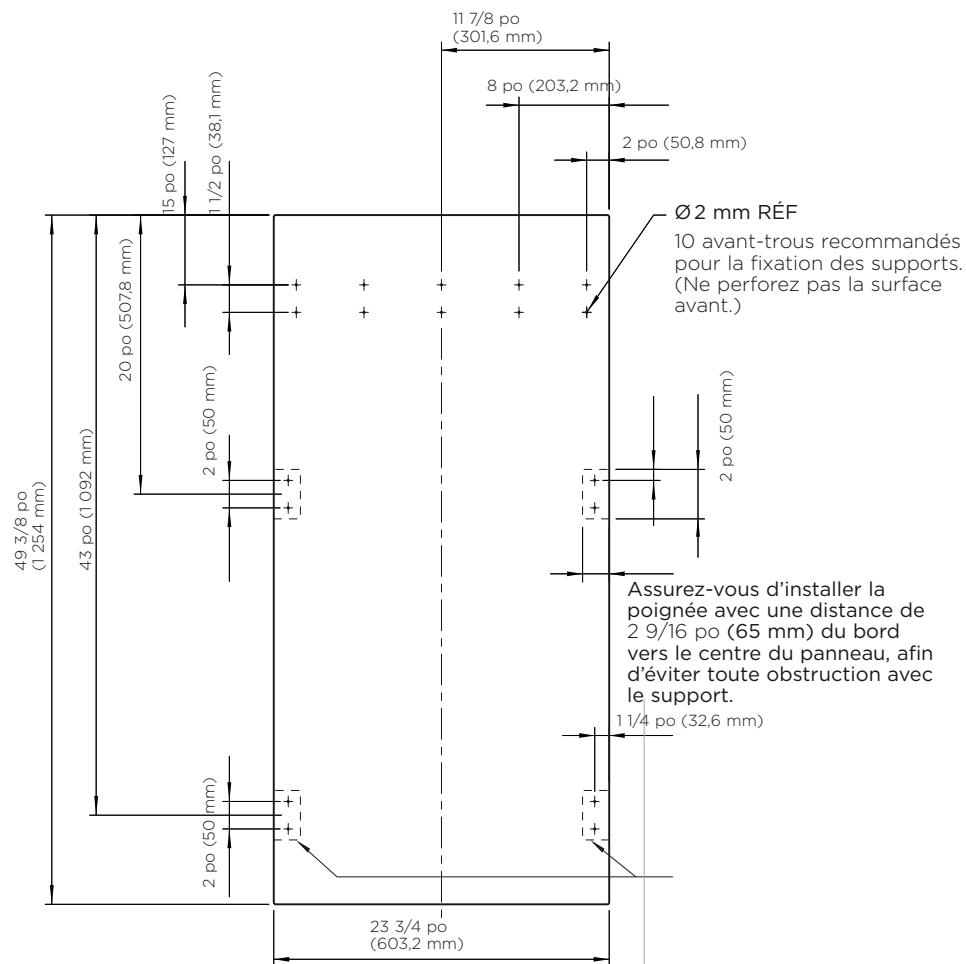
DIMENSIONS	PO	MM
Ⓐ Hauteur du panneau de porte supérieur	49 3/8	1 254
Ⓑ Hauteur du panneau de tiroir inférieur	30 3/8	772
Ⓒ Largeur du panneau de porte/tiroir	23 3/4	603
Ⓓ Profondeur du panneau de porte (excluant la poignée de porte)	min. 5/8 max. 1	min. 16 max. 25
POIDS DU PANNEAU DE PORTE	LB	KG
Poids du panneau de porte supérieur	max. 34	max. 15 1/2
Poids du panneau de tiroir inférieur	max. 21	max. 9 1/2

* Le poids maximal du panneau ne doit pas être dépassé.

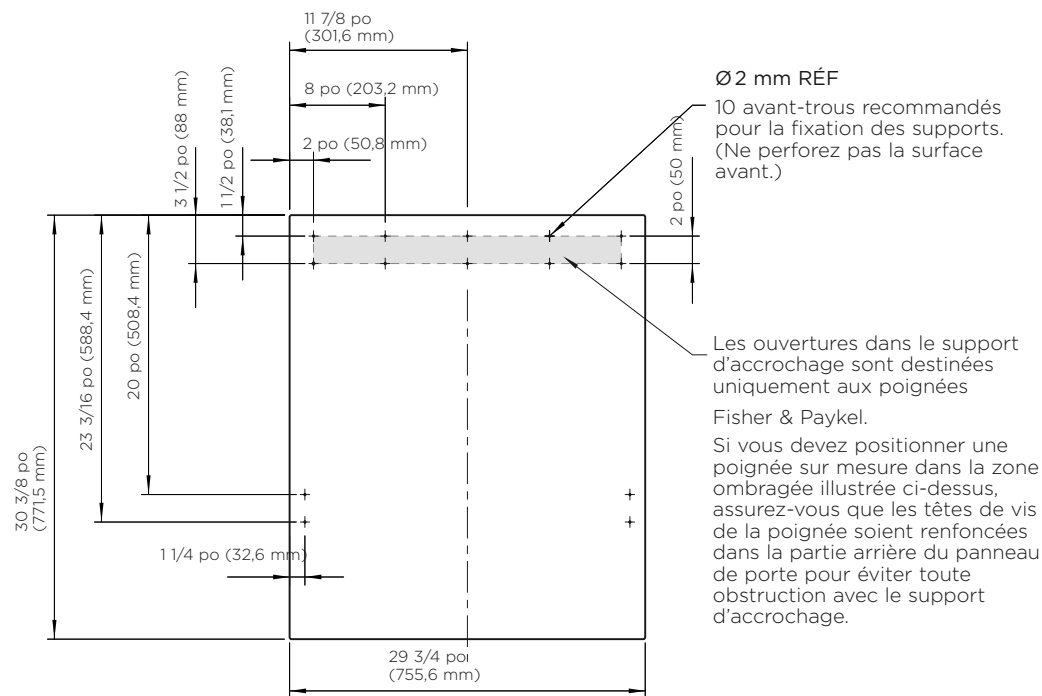
DIMENSIONS D'INSTALLATION DE PANNEAU DE PORTE SUR MESURE – MODÈLE RS24

Les dimensions sont indiquées pour la préparation et l'installation des panneaux de portes sur mesure. Pour les fichiers Dwg et Dxf de la préparation de panneau ci-dessous, téléchargez le dossier sur thekitchentools.fisherpaykel.com.

- L'épaisseur du panneau de porte sur mesure peut varier, à condition que les vis ne pénètrent pas au-delà de la profondeur totale du panneau de porte.
- Les mesures des emplacements de trous de vis peuvent varier en fonction de la hauteur de la plinthe, de 50 à 152 mm.

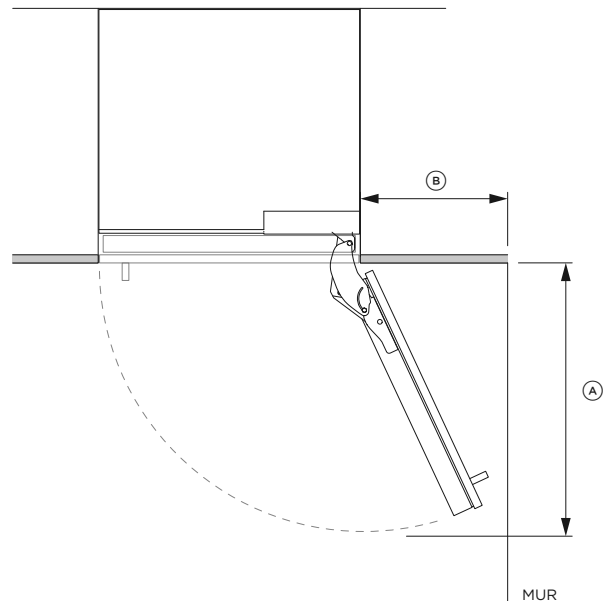


PANNEAU SUPÉRIEUR – VUE ARRIÈRE



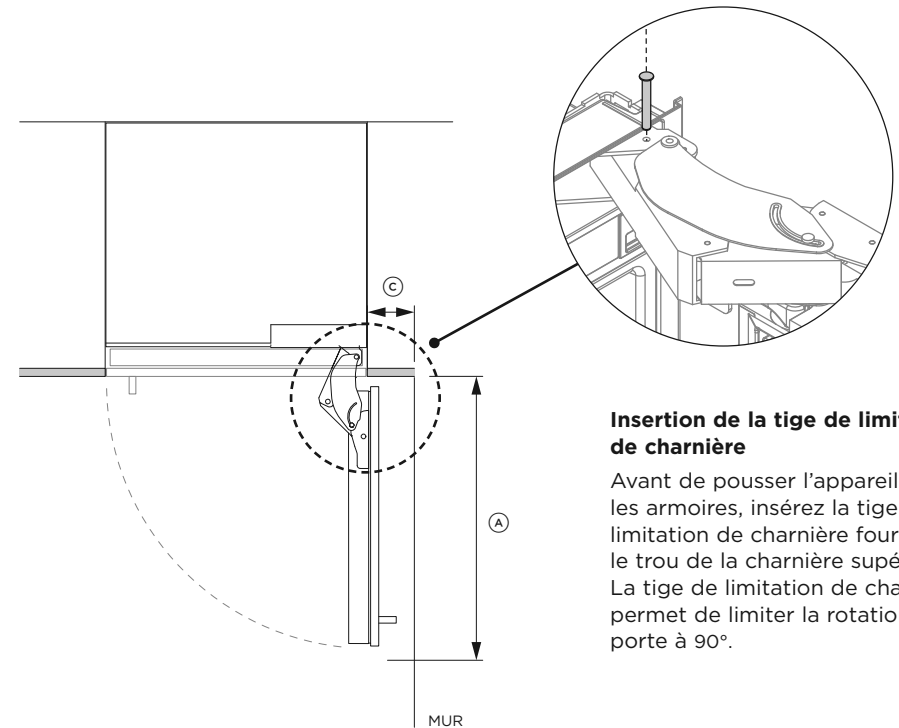
PANNEAU INFÉRIEUR – VUE ARRIÈRE

OUVERTURE DE LA PORTE À 115°



ACCÈS COMPLET À L'INTÉRIEUR

OUVERTURE DE LA PORTE À 90°

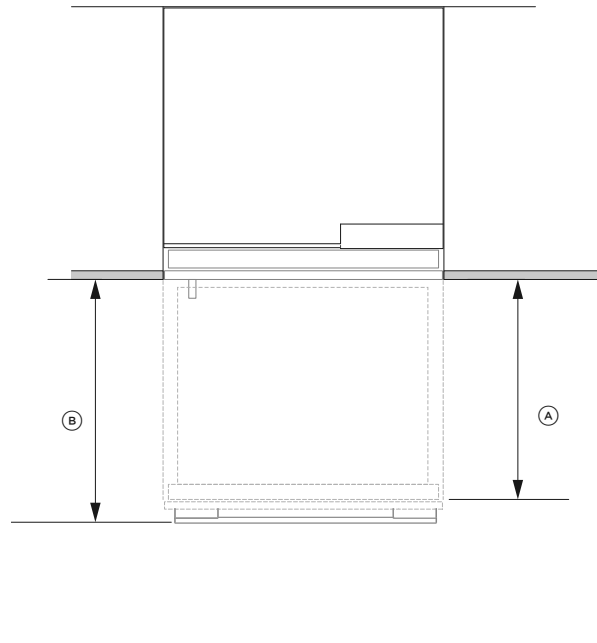


ACCÈS LIMITÉ À L'INTÉRIEUR

Insertion de la tige de limitation de charnière

Avant de pousser l'appareil dans les armoires, insérez la tige de limitation de charnière fournie dans le trou de la charnière supérieure. La tige de limitation de charnière permet de limiter la rotation de porte à 90°.

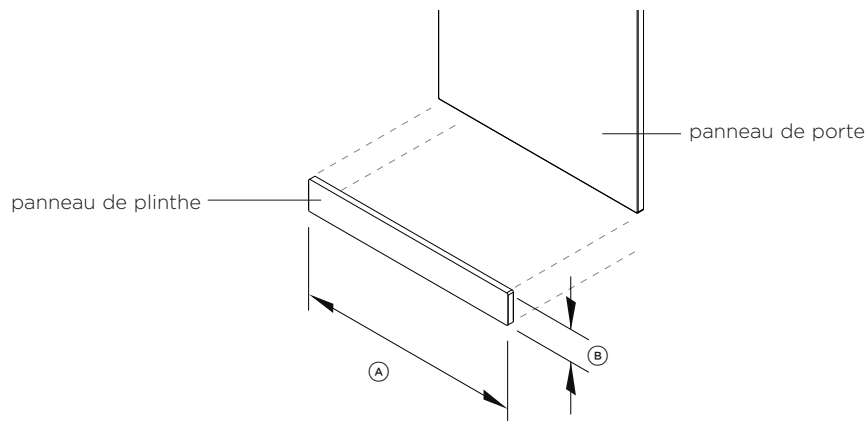
DIMENSIONS	PO	MM
Ⓐ Largeur de la porte (ouverture à 90°) mesurée à partir du devant de la porte	26	660
Ⓑ Dégagement minimal de la porte* par rapport au mur adjacent** (115° – accès complet à l'intérieur)	14	356
Ⓒ Dégagement minimal de la porte* par rapport au mur adjacent** (90° – accès réduit à l'intérieur)	4 5/16	110



DIMENSIONS	PO	MM
Ⓐ Extension maximale du tiroir lors de l'ouverture (excluant la poignée)	15 3/4	400
Ⓑ Extension maximale du tiroir lors de l'ouverture (incluant la poignée)	18 1/8	461

..... **PANNEAU DE PLINTHE EN ACIER INOXYDABLE**

Peut être acheté séparément auprès d'un détaillant Fisher & Paykel autorisé. Visitez le site fisherpaykel.com pour plus d'informations.

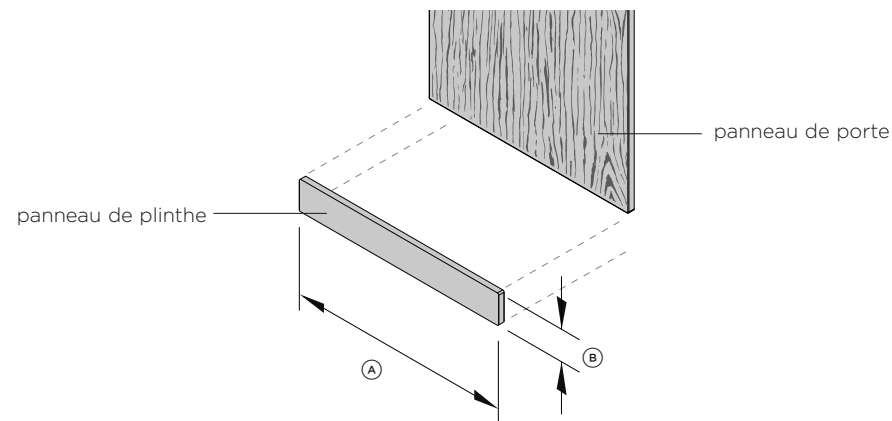


PANNEAU DE PLINTHE (CA 25390)

DIMENSIONS	PO	MM
Ⓐ Largeur de la plinthe	23 7/8	606
Ⓑ Hauteur de la plinthe	4	102

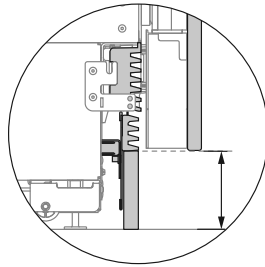
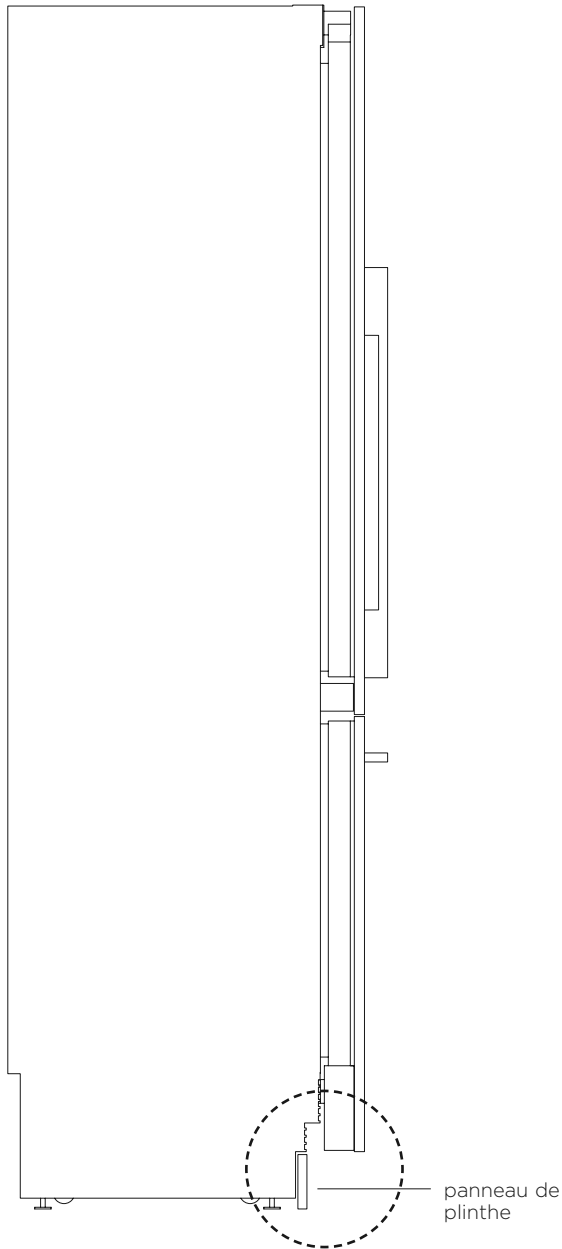
..... **PANNEAU DE PLINTHE SUR MESURE**

Pour l'installation d'un panneau de porte sur mesure, une plinthe sur mesure de 2 à 6 po (50 à 152 mm) peut être fabriquée et ajustée par un ébéniste. La hauteur du panneau de porte sur mesure doit être ajustée en conséquence. Des grilles inférieures supplémentaires sont requises pour l'installation d'une plinthe de 2 po (50 mm).

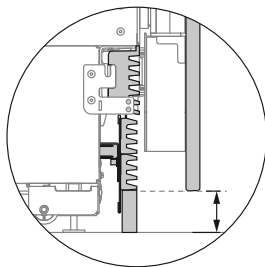


DIMENSIONS	PO	MM
Ⓐ Largeur de la plinthe	23 7/8	606
Ⓑ Hauteur de la plinthe*	min. 2 - max. 6	min. 51 - max. 152

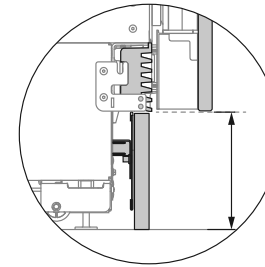
OPTIONS D'INSTALLATION DE LA PLINTHE



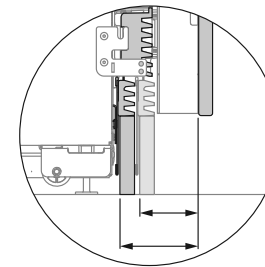
La hauteur de la plinthe standard est de 4 po (102 mm) avec le panneau de porte en acier inoxydable.



Pour une plinthe sur mesure d'une hauteur de 2 po (50 mm) (grille inférieure supplémentaire fixée).

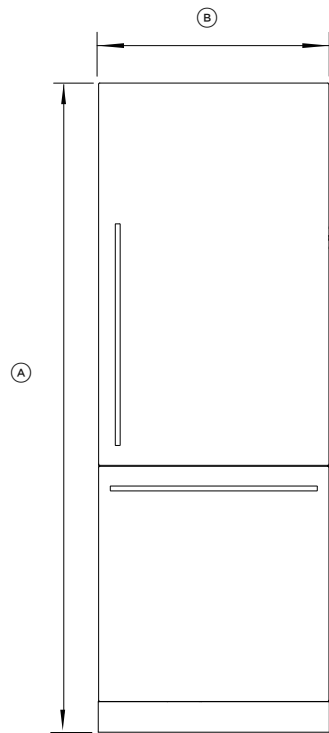


Pour une plinthe sur mesure d'une hauteur de 6 po (152 mm).

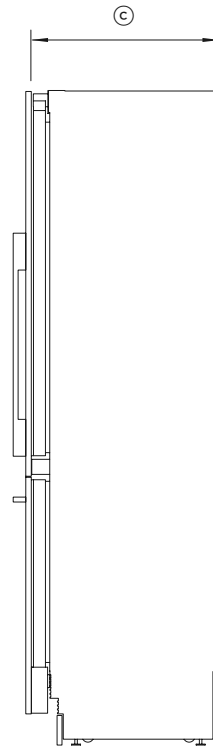


Profondeur de plinthe de min. 2 7/8 po (73 mm) à max. 4 po (102 mm) mesurée à partir de l'arrière du panneau de porte

DIMENSIONS DU PRODUIT – MODÈLE RS30



VUE DE FACE



VUE DE PROFIL

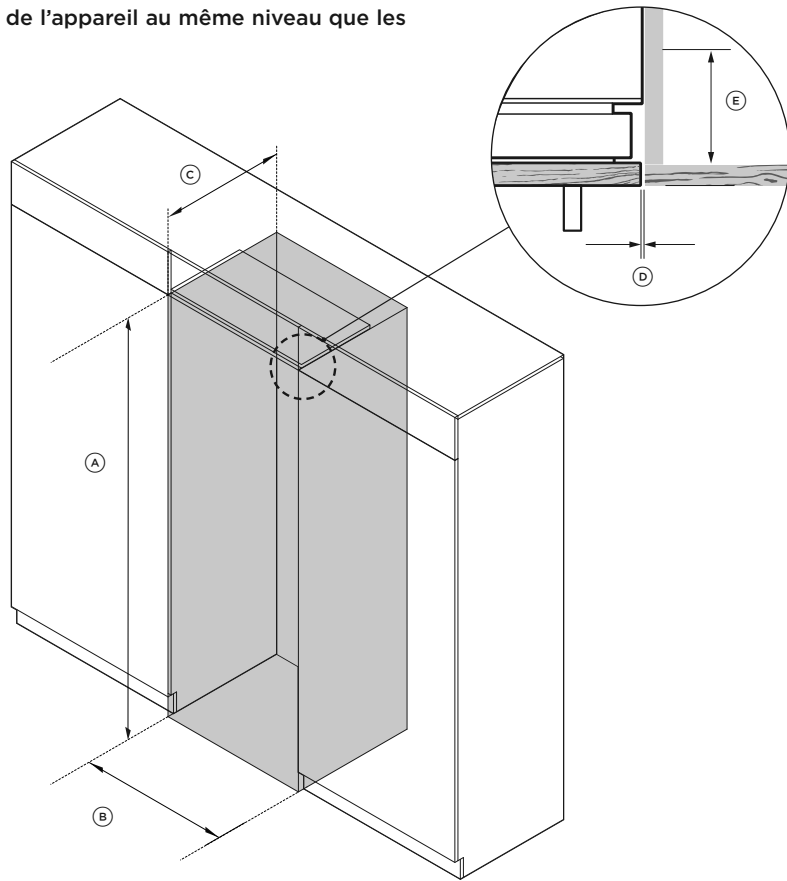
DIMENSIONS DU PRODUIT		PO	MM
Ⓐ	Hauteur hors tout du produit	84	2 134
Ⓑ	Largeur hors tout du produit	29 3/4	756
Ⓒ	Profondeur hors tout du produit (excluant le panneau de porte avant)	24	610

POIDS DU PRODUIT		LB	KG
	Poids (avec l'emballage)	406	184
	Poids (sans l'emballage)	357	162

DIMENSIONS DE LA CAVITÉ – MODÈLE RS30

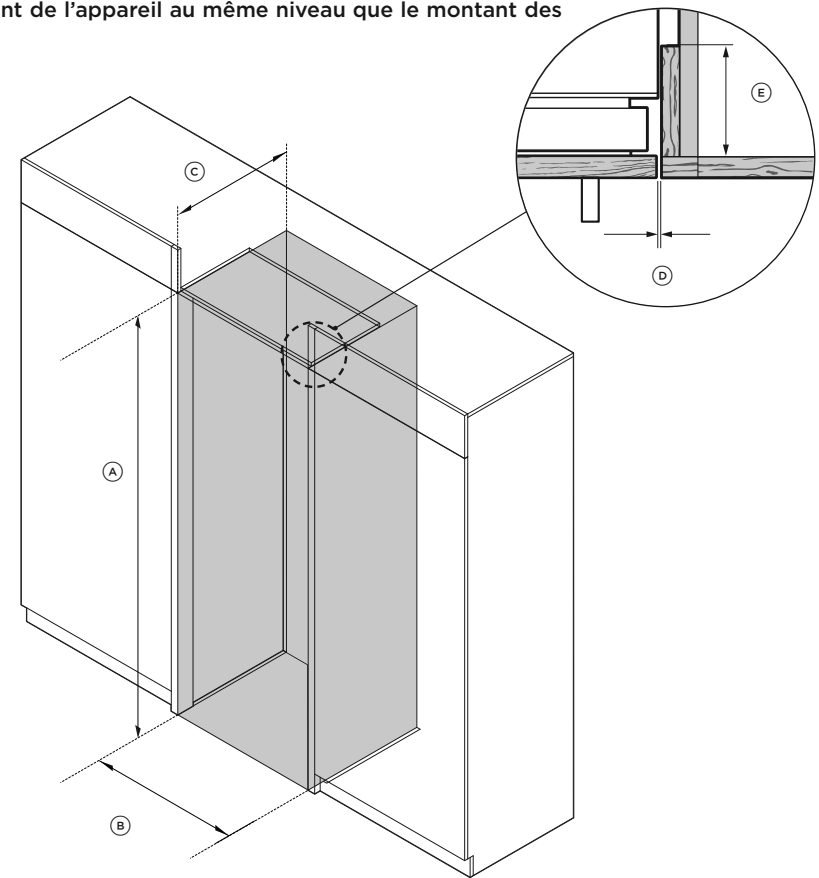
ARMOIRES SANS MONTANT

Alignement de l'appareil au même niveau que les armoires.



ARMOIRES AVEC MONTANT

Alignement de l'appareil au même niveau que le montant des armoires.

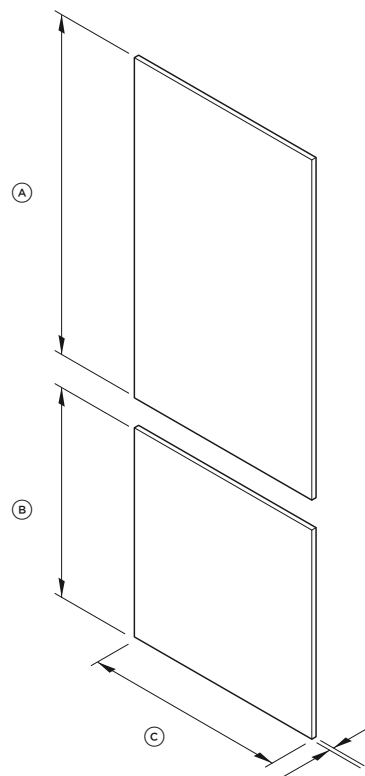


DIMENSIONS	PO	MM
① Hauteur hors tout de la cavité	84	2 134
② Largeur hors tout de la cavité	30	762
③ Profondeur hors tout minimale de la cavité*	25	635
④ Dégagement minimal des armoires à partir du bord des panneaux de portes	1/8	3
⑤ Finition minimale requise	4	102

* En supposant une épaisseur de panneau de porte de 3/4 po (19 mm).

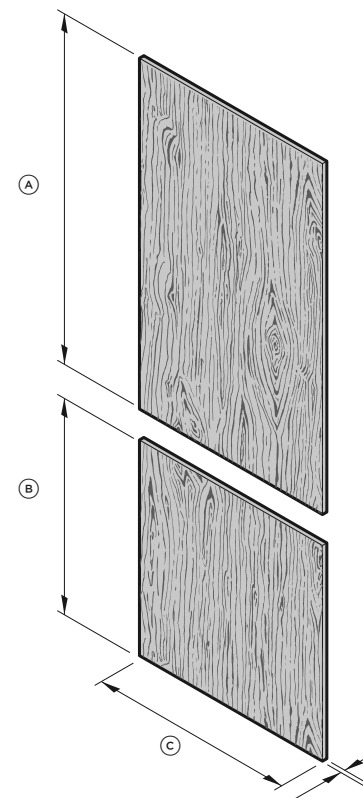
DIMENSIONS DE PANNEAU DE PORTE – MODÈLE RS30

..... PANNEAU EN ACIER INOXYDABLE



DIMENSIONS	PO	MM
Ⓐ Hauteur du panneau de porte supérieur	49 3/8	1 254
Ⓑ Hauteur du panneau de porte de tiroir	30 3/8	772
Ⓒ Largeur du panneau de porte	29 3/4	756
Ⓓ Profondeur du panneau de porte (excluant la poignée de porte)	3/4	19
POIDS DU PANNEAU DE PORTE	LB	KG
Poids de la porte supérieure	22	10
Poids de la porte de tiroir inférieur	15	7

..... PANNEAU SUR MESURE

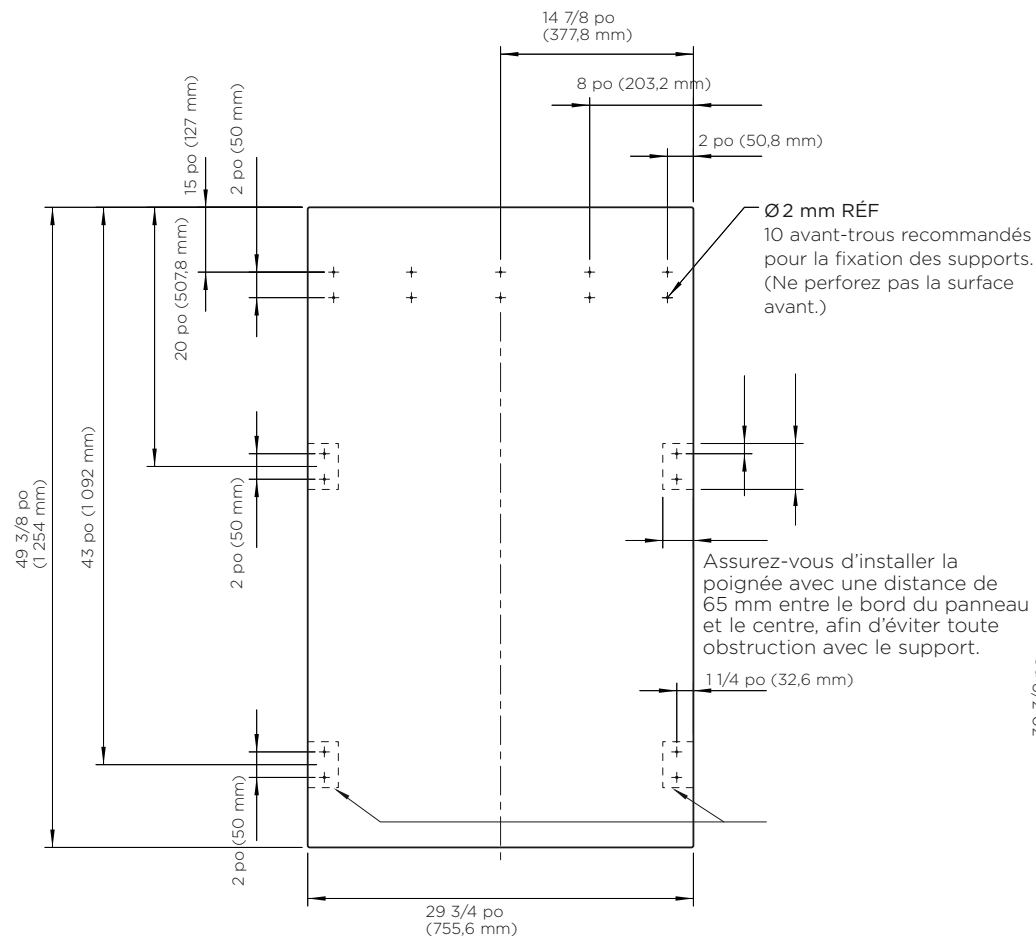


DIMENSIONS	PO	MM
Ⓐ Hauteur du panneau de porte supérieur	49 3/8	1 254
Ⓑ Hauteur du panneau de porte de tiroir	30 3/8	772
Ⓒ Largeur du panneau de porte	29 3/4	756
Ⓓ Profondeur du panneau de porte (excluant la poignée de porte)	min. 5/8 max. 1	min. 16 max. 25
POIDS DU PANNEAU DE PORTE	LB	KG
Poids de la porte supérieure	max. 41	max. 18 1/2
Poids de la porte de tiroir inférieur	max. 25	max. 11 1/2

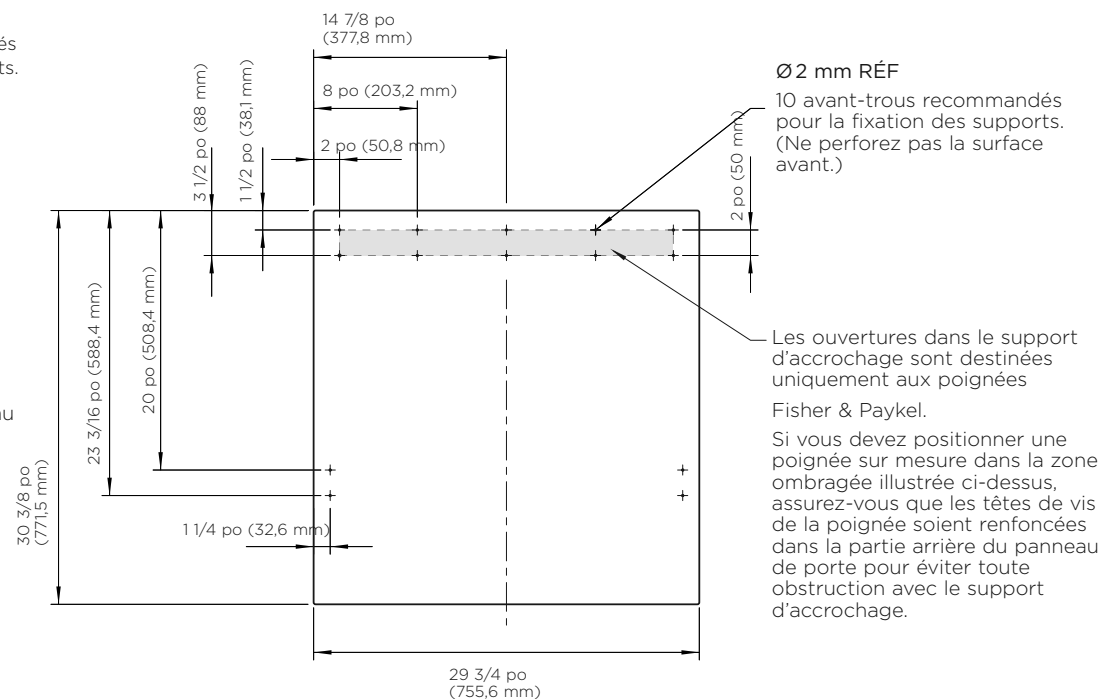
DIMENSIONS D'INSTALLATION DE PANNEAU DE PORTE SUR MESURE – MODÈLE RS30

Les dimensions sont indiquées pour la préparation et l'installation des panneaux de portes sur mesure. Pour les fichiers Dwg et Dxf de la préparation de panneau ci-dessous, téléchargez le dossier sur thekitchentools.fisherpaykel.com.

- L'épaisseur du panneau de porte sur mesure peut varier, à condition que les vis ne pénètrent pas au-delà de la profondeur totale du panneau de porte.
- Les mesures des emplacements de trous de vis peuvent varier en fonction de la hauteur de la plinthe, de 50 à 152 mm.

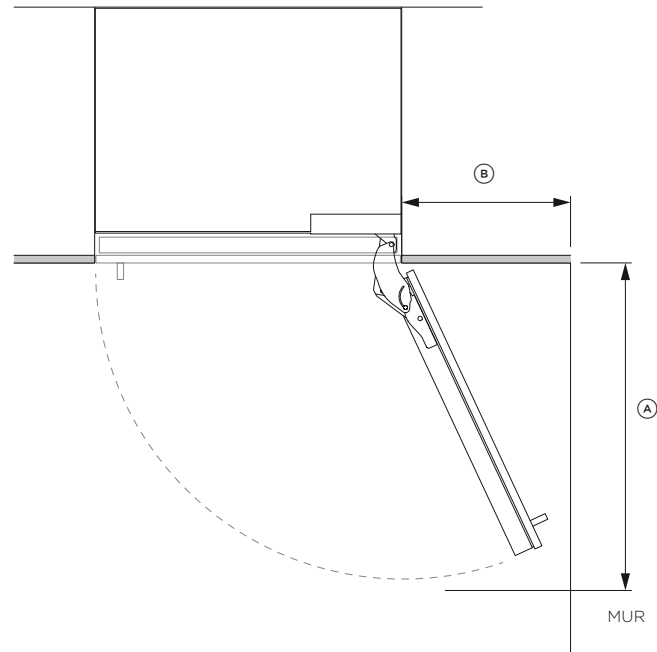


PANNEAU SUPÉRIEUR – VUE ARRIÈRE



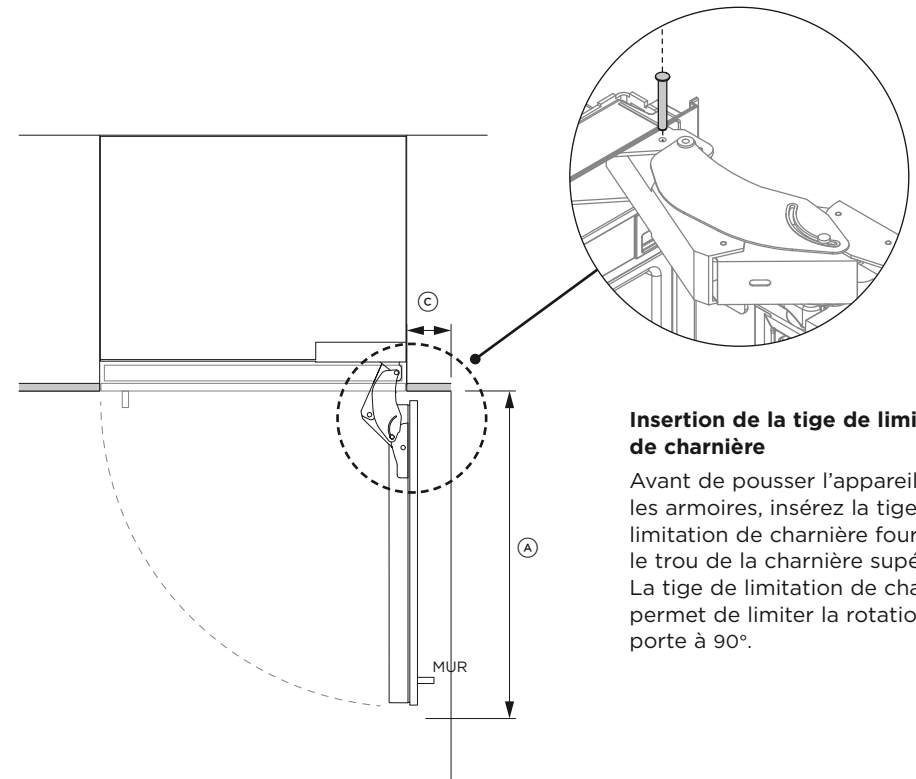
PANNEAU INFÉRIEUR – VUE ARRIÈRE

OUVERTURE DE LA PORTE À 115°



ACCÈS COMPLET À L'INTÉRIEUR

OUVERTURE DE LA PORTE À 90°



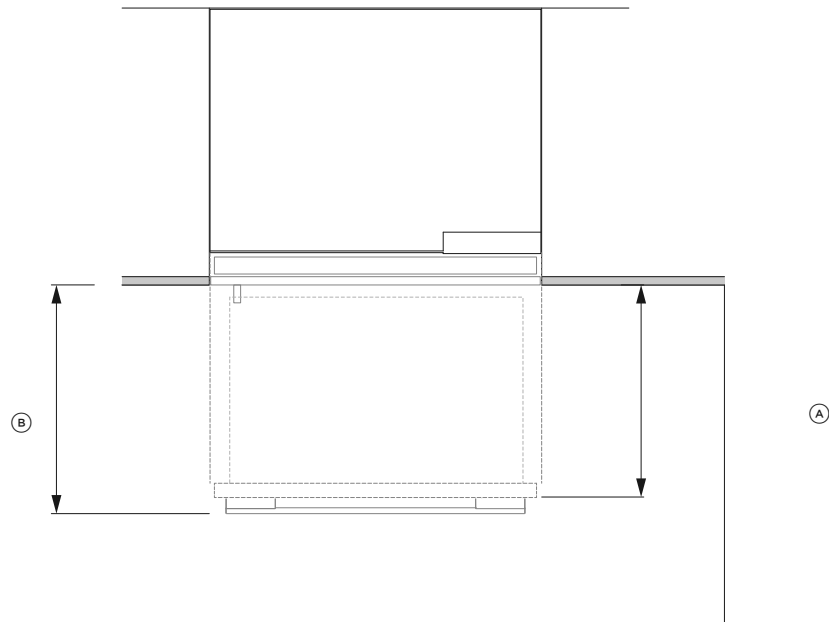
Insertion de la tige de limitation de charnière

Avant de pousser l'appareil dans les armoires, insérez la tige de limitation de charnière fournie dans le trou de la charnière supérieure. La tige de limitation de charnière permet de limiter la rotation de porte à 90°.

ACCÈS LIMITÉ À L'INTÉRIEUR

DIMENSIONS	PO	MM
Ⓐ Largeur de la porte (ouverture à 90°) mesurée à partir du devant de la porte	32	813
Ⓑ Dégagement minimal de la porte* par rapport au mur adjacent** (115° – accès complet à l'intérieur)	16 1/2	419
Ⓒ Dégagement minimal de la porte* par rapport au mur adjacent** (90° – accès réduit à l'intérieur)	4 5/16	110

DÉGAGEMENT DU TIROIR – MODÈLE RS30

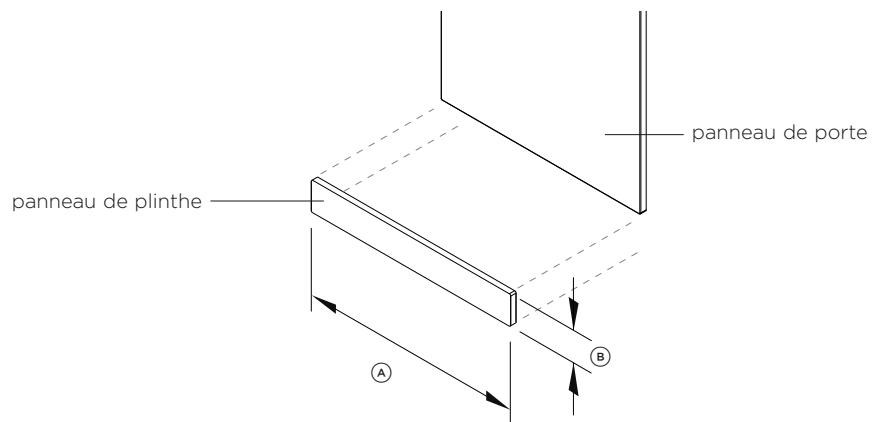


DIMENSIONS	PO	MM
Ⓐ Extension maximale du tiroir lors de l'ouverture (excluant la poignée)	15 3/4	400
Ⓑ Extension maximale du tiroir lors de l'ouverture (incluant la poignée)	18 1/8	461

DIMENSIONS DE LA PLINTHE — MODÈLE RS30

..... PANNEAU DE PLINTHE EN ACIER INOXYDABLE

Peut être acheté séparément auprès d'un détaillant Fisher & Paykel autorisé. Visitez le site fisherpaykel.com pour plus d'informations.

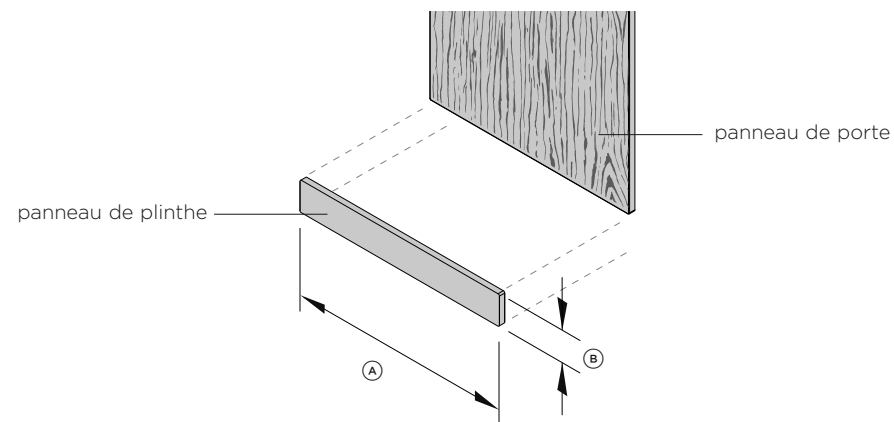


PANNEAU DE PLINTHE (CA 25392)

DIMENSIONS	PO	MM
Ⓐ Largeur de la plinthe	29 7/8	759
Ⓑ Hauteur de la plinthe	4	102

..... PANNEAU DE PLINTHE SUR MESURE

Pour l'installation d'un panneau de porte sur mesure, une plinthe sur mesure de 2 à 6 po (50 à 152 mm) peut être fabriquée et ajustée par un ébéniste. La hauteur du panneau de porte sur mesure doit être ajustée en conséquence. Des grilles inférieures supplémentaires sont requises pour l'installation d'une plinthe de 2 po (50 mm).



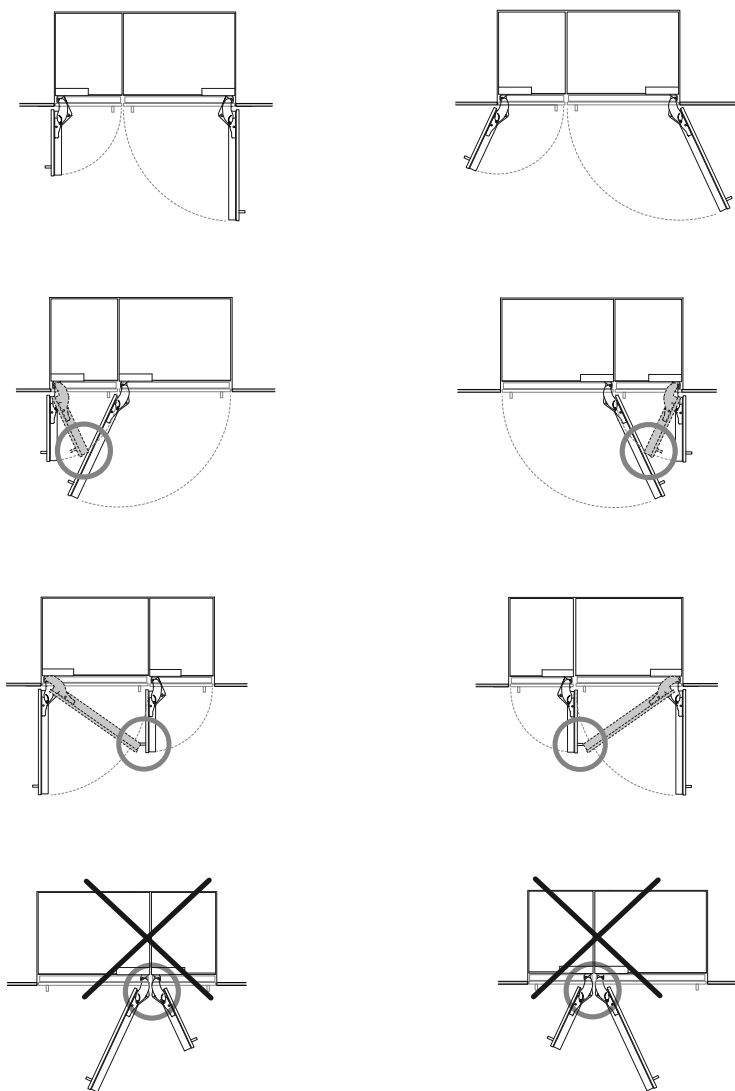
DIMENSIONS	PO	MM
Ⓐ Largeur de la plinthe	29 7/8	759
Ⓑ Hauteur de la plinthe*	2-6	51 - 152

OPTIONS D'INSTALLATION DOUBLE

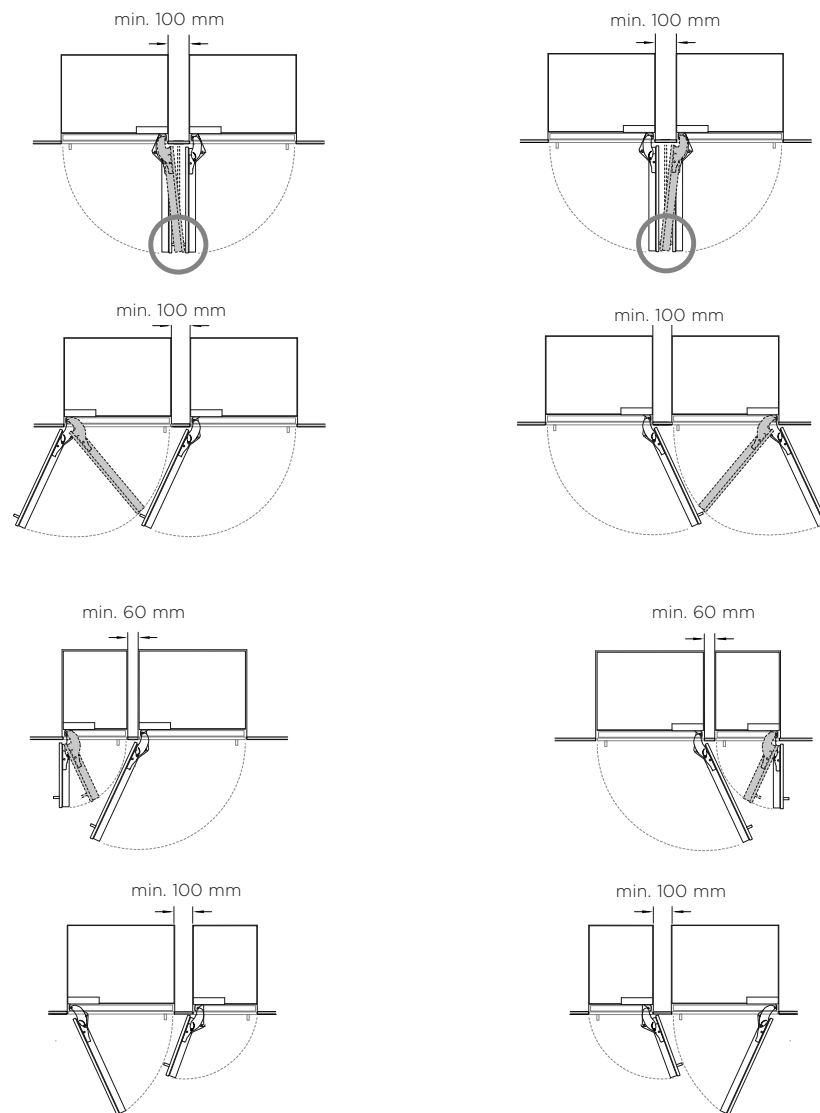
Les options suivantes sont présentées pour une installation double/multiple, avec les portées d'ouverture de porte et les dimensions de cloison (optionnelle) requises entre deux appareils combinés.

- Évitez tout contact (encerclé) lors de l'ouverture des portes. Utilisez une tige de limitation de charnière pour limiter la rotation d'ouverture de la porte à 90°. Reportez-vous à 'Dégagement de la porte' pour plus d'informations.
- Si vous installez une cloison entre deux appareils, le dégagement doit être suffisant pour assurer qu'il n'y ait aucune obstruction entre les portes/poignées lors de l'ouverture ou la fermeture.

SANS CLOISON

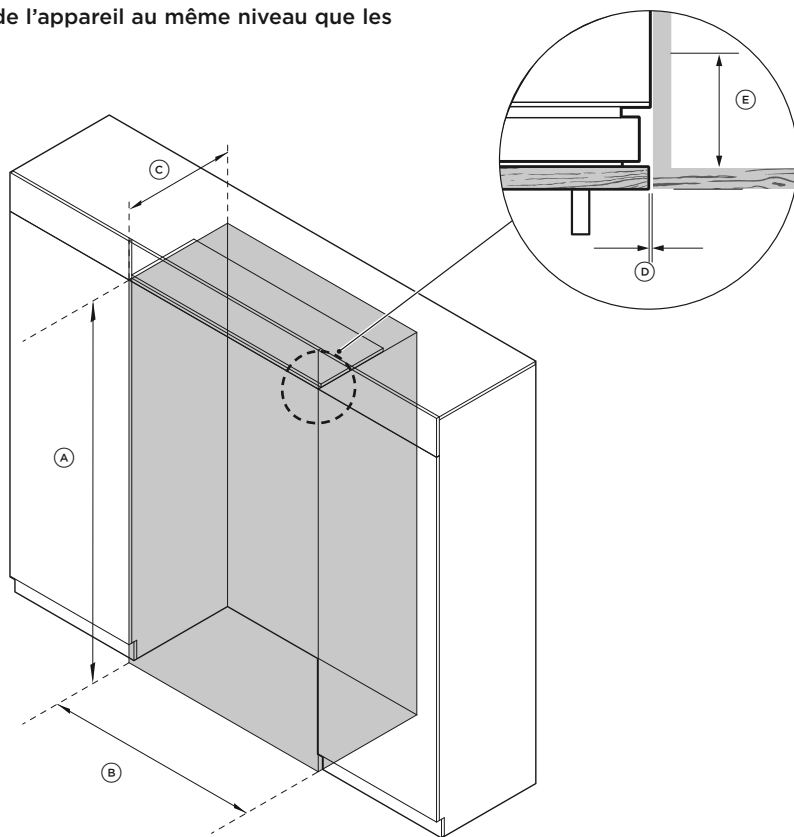


AVEC CLOISON



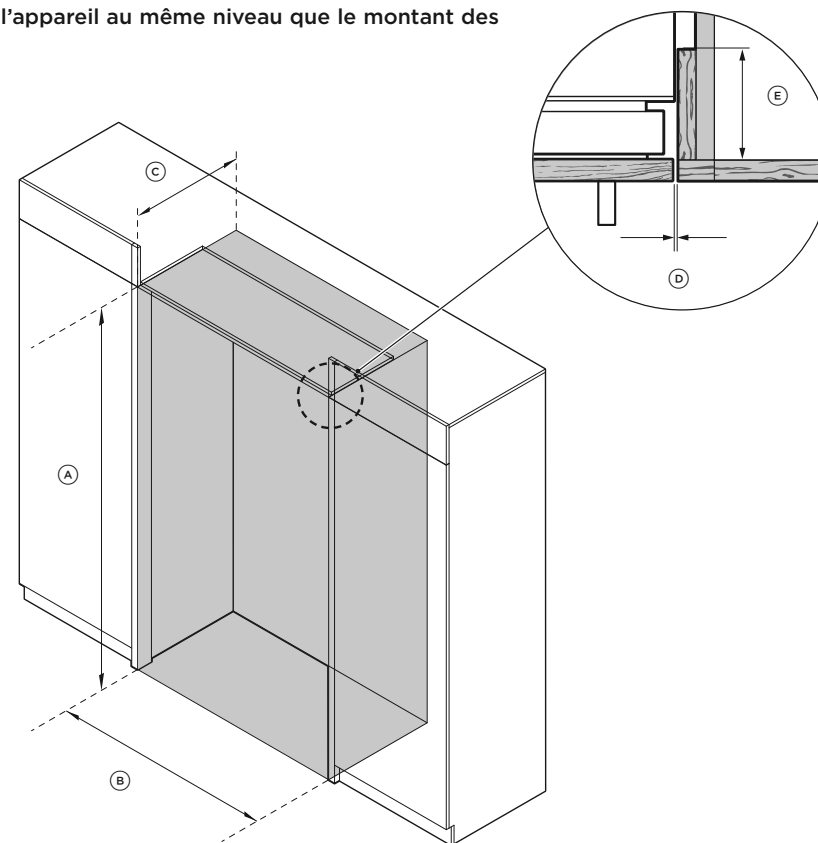
ARMOIRES SANS MONTANT

Alignement de l'appareil au même niveau que les armoires.



ARMOIRES AVEC MONTANT

Alignement de l'appareil au même niveau que le montant des armoires.



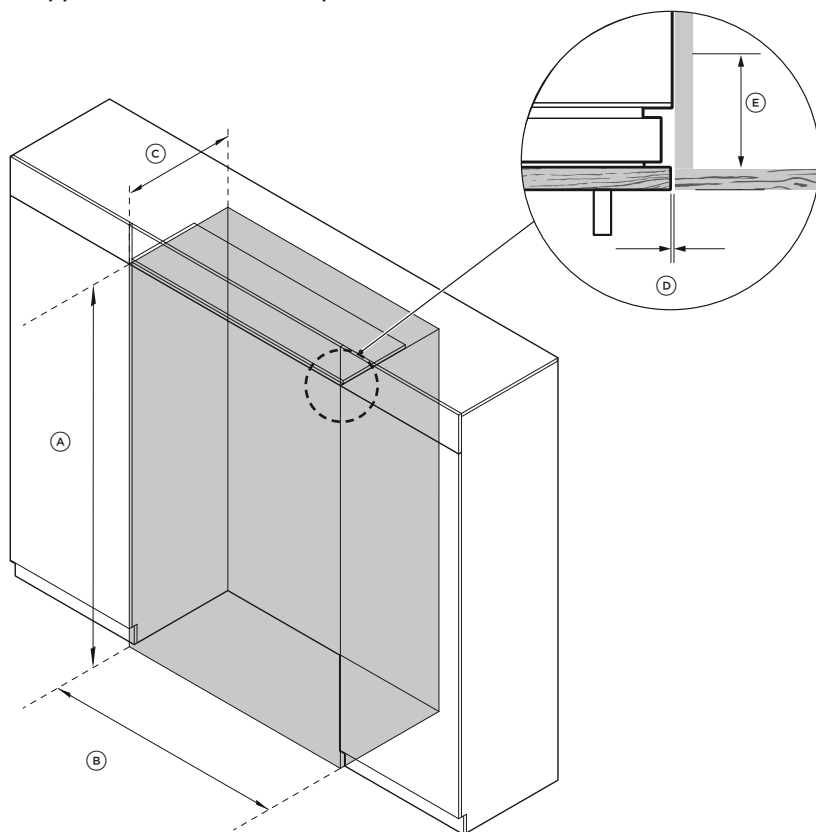
DIMENSIONS	PO	MM
(A) Hauteur hors tout de la cavité	84	2 134
(B) Largeur hors tout de la cavité	48	1 219
(C) Profondeur hors tout minimale de la cavité*	25	635
(D) Dégagement minimal des armoires à partir du bord des panneaux de portes	1/8	3
(E) Finition minimale requise	4	102

* En supposant une épaisseur de panneau de porte de 3/4 po (19 mm).

DIMENSIONS DE LA CAVITÉ – INSTALLATION DOUBLE RS24 + RS30

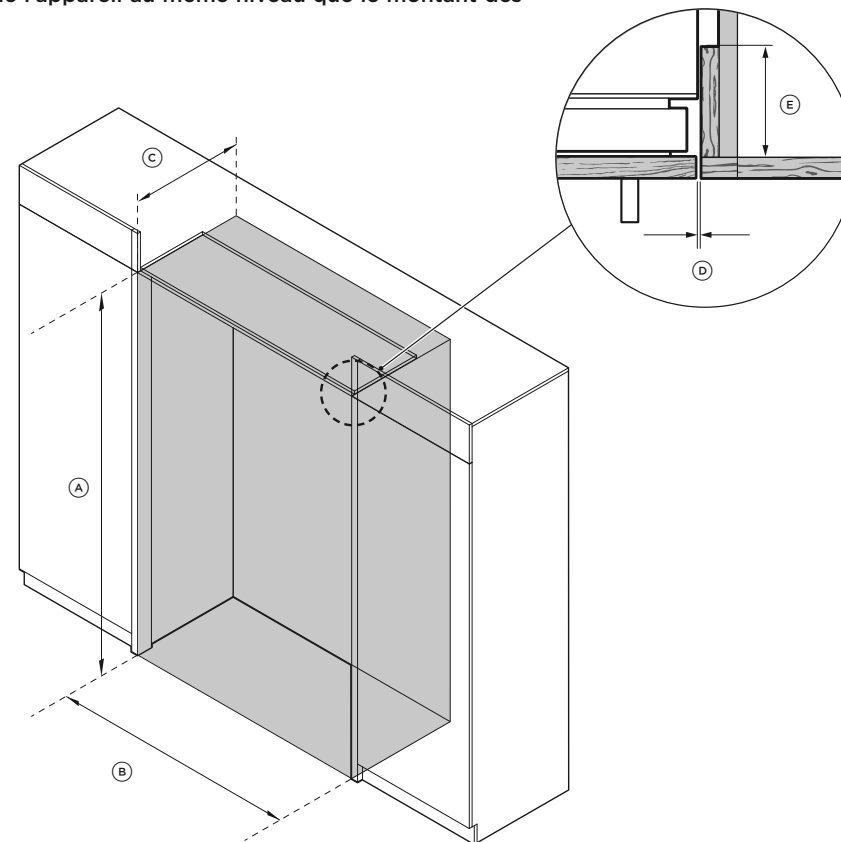
ARMOIRES SANS MONTANT

Alignement de l'appareil au même niveau que les armoires.



ARMOIRES AVEC MONTANT

Alignement de l'appareil au même niveau que le montant des armoires.

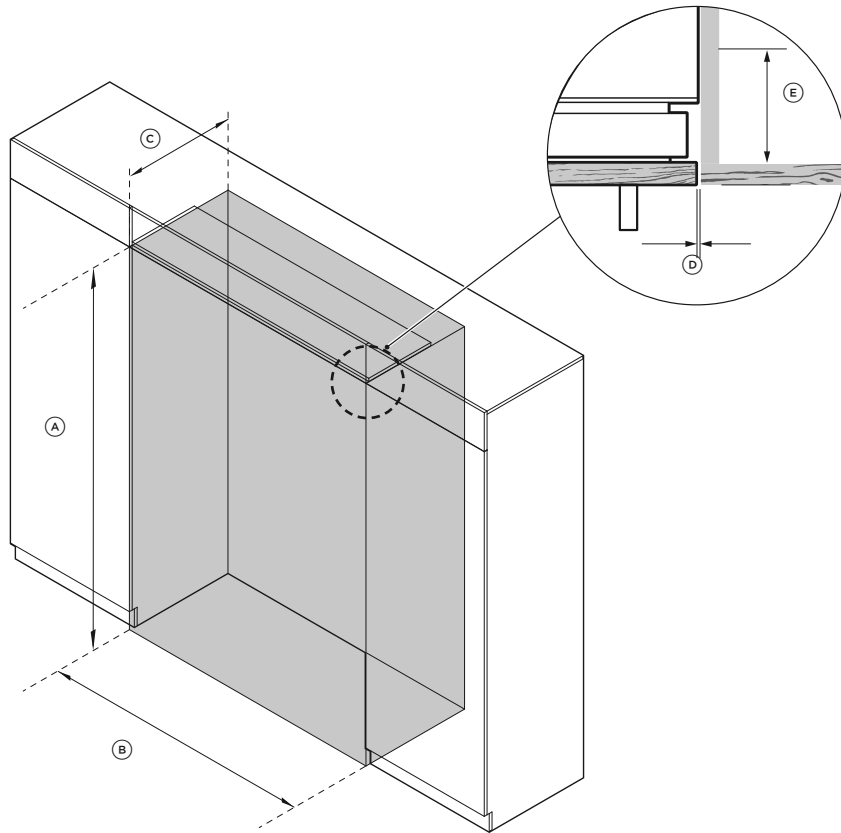


DIMENSIONS	PO	MM
Ⓐ Hauteur hors tout de la cavité	84	2 134
Ⓑ Largeur hors tout de la cavité	54	1 372
Ⓒ Profondeur hors tout minimale de la cavité*	25	635
Ⓓ Dégagement minimal des armoires à partir du bord des panneaux de portes	1/8	3
Ⓔ Finition minimale requise	4	102

* En supposant une épaisseur de panneau de porte de 3/4 po (19 mm).

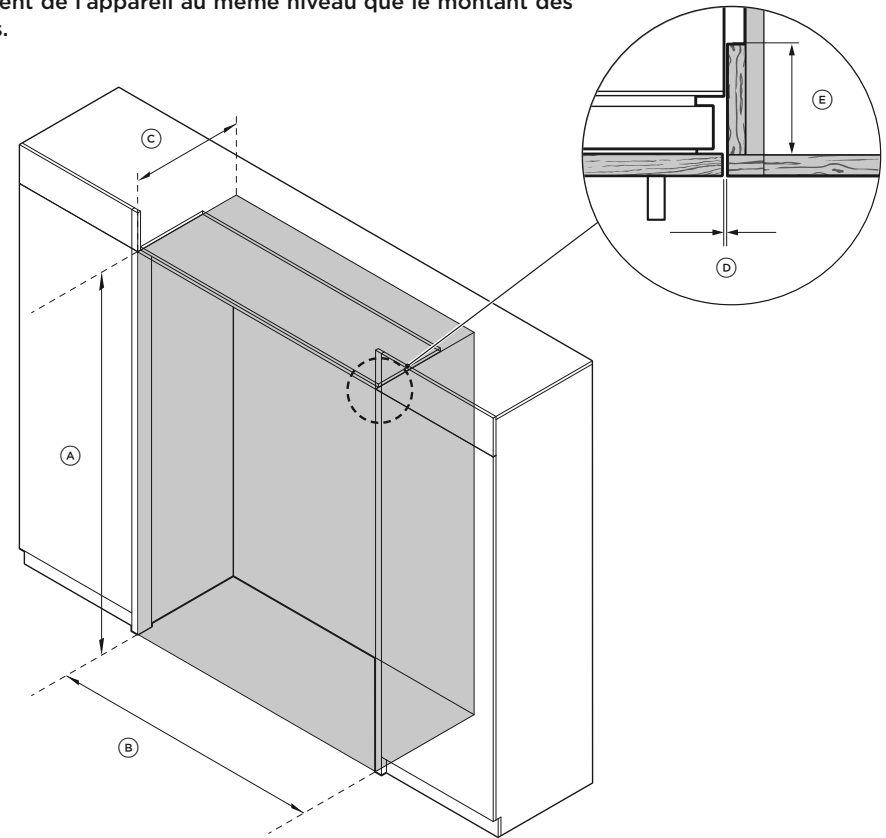
ARMOIRES SANS MONTANT

Alignement de l'appareil au même niveau que les armoires.



ARMOIRES AVEC MONTANT

Alignement de l'appareil au même niveau que le montant des armoires.

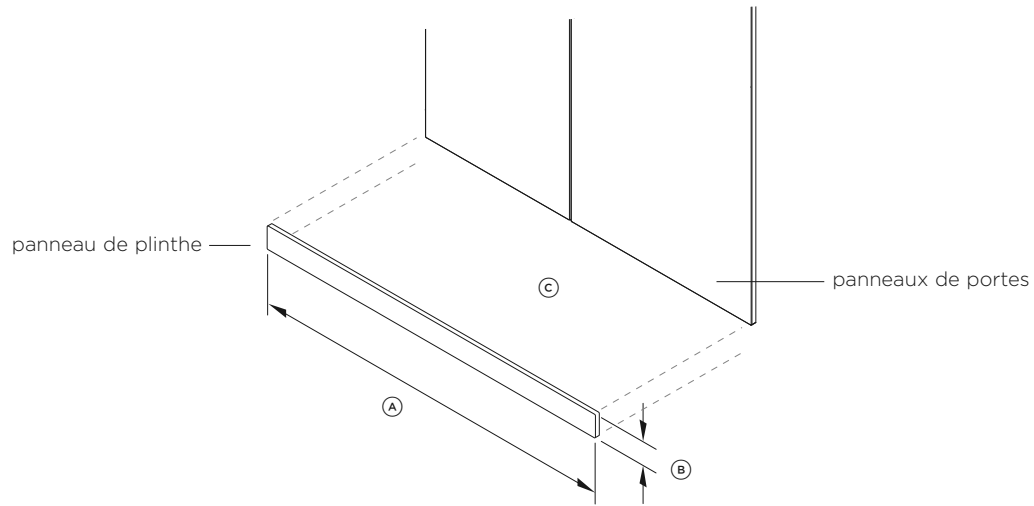


DIMENSIONS	PO	MM
Ⓐ Hauteur hors tout de la cavité	84	2 134
Ⓑ Largeur hors tout de la cavité	60	1 524
Ⓒ Profondeur hors tout minimale de la cavité*	25	635
Ⓓ Dégagement minimal des armoires à partir du bord des panneaux de portes	1/8	3
Ⓔ Finition minimale requise	4	102

* En supposant une épaisseur de panneau de porte de 3/4 po (19 mm).

DIMENSIONS DE PANNEAU DE PLINTHE – INSTALLATION DOUBLE

..... PANNEAU EN ACIER INOXYDABLE



PANNEAU DE PLINTHE (CA 25396)

MODÈLES RS24 + RS24

DIMENSIONS	PO	MM
Ⓐ Largeur de la plinthe	47 7/8	1 216
Ⓑ Hauteur de la plinthe	4	102

PANNEAU DE PLINTHE (CA 25398)

MODÈLES RS24 + RS30

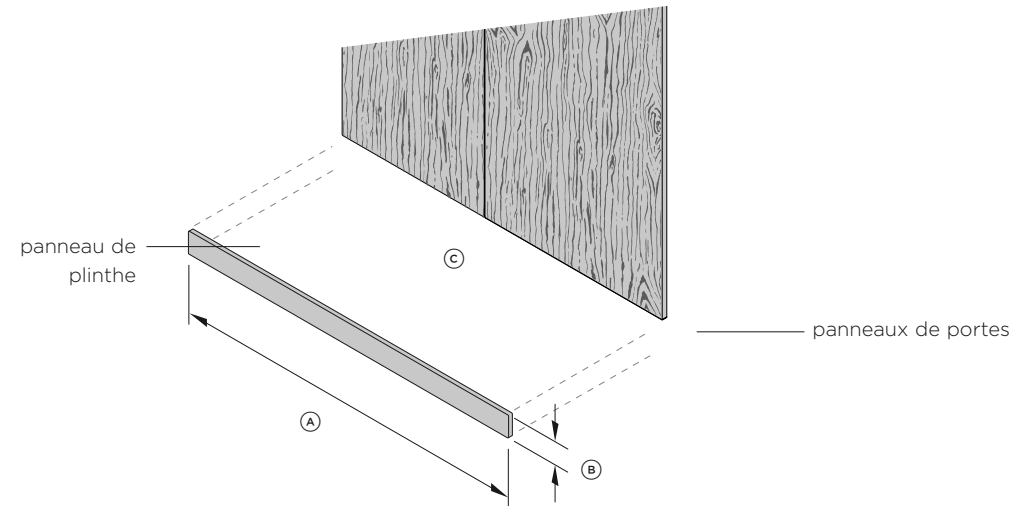
DIMENSIONS	PO	MM
Ⓐ Largeur de la plinthe	53 7/8	1 368
Ⓑ Hauteur de la plinthe	4	102

PANNEAU DE PLINTHE (CA 25400)

MODÈLES RS30 + RS30

DIMENSIONS	PO	MM
Ⓐ Largeur de la plinthe	59 7/8	1 521
Ⓑ Hauteur de la plinthe	4	102

..... PANNEAU SUR MESURE



MODÈLES RS24 + RS24

DIMENSIONS	PO	MM
Ⓐ Largeur de la plinthe	47 7/8	1 216
Ⓑ Hauteur de la plinthe*	min. 2 - max. 6	min. 51 - max. 152

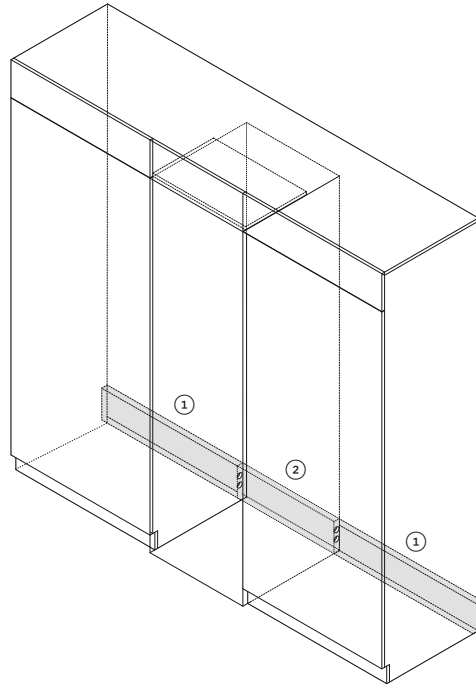
MODÈLES RS24 + RS30

DIMENSIONS	PO	MM
Ⓐ Largeur de la plinthe	53 7/8	1 368
Ⓑ Hauteur de la plinthe*	min. 2 - max. 6	min. 51 - max. 152

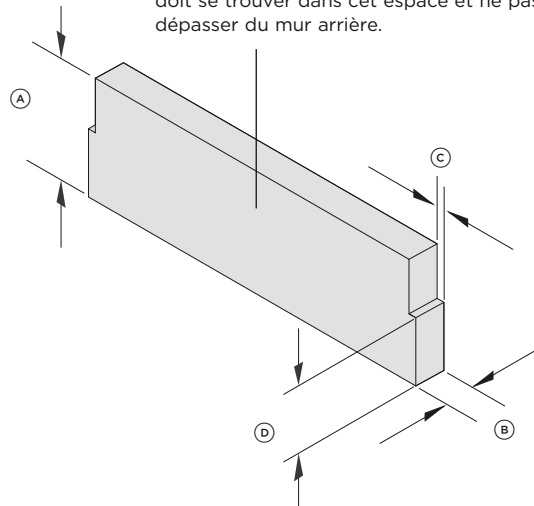
MODÈLES RS30 + RS30

DIMENSIONS	PO	MM
Ⓐ Largeur de la plinthe	59 7/8	1 521
Ⓑ Hauteur de la plinthe*	min. 2 - max. 6	min. 51 - max. 152

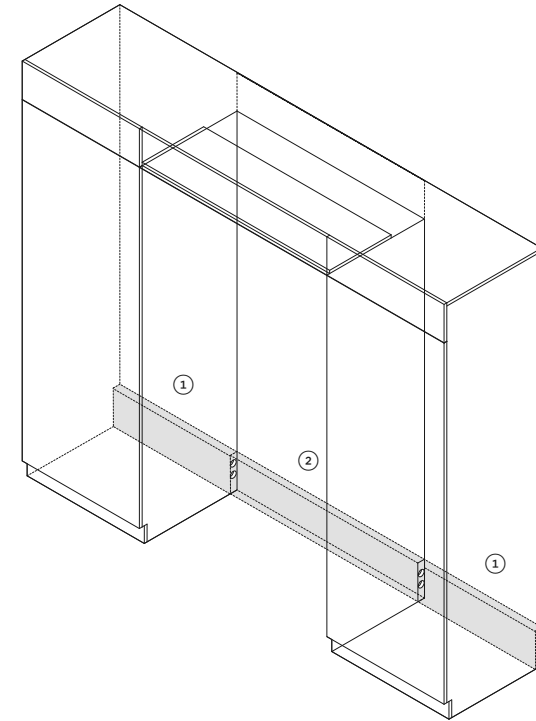
INSTALLATION SIMPLE



S'il est situé derrière l'appareil, le raccordement de l'alimentation électrique doit se trouver dans cet espace et ne pas dépasser du mur arrière.



INSTALLATION DOUBLE



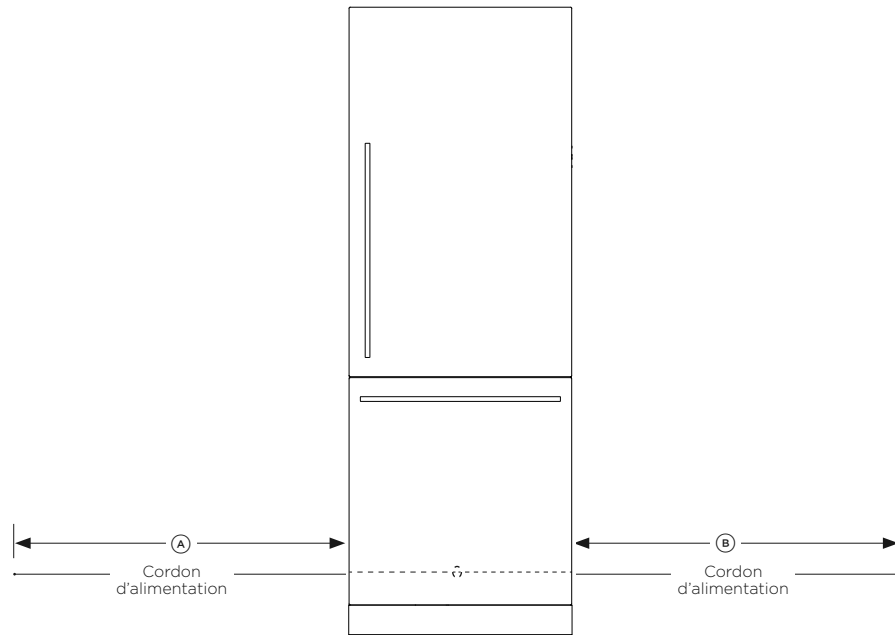
RACCORDEMENTS D'ALIMENTATION ÉLECTRIQUE ET DE PLOMBERIE

- ① Emplacement recommandé pour les raccordements dans une zone adjacente ou derrière l'appareil
- ② Autre emplacement possible pour les raccordements à l'arrière de la cavité

DIMENSIONS POUR LE RACCORDEMENT

ÉLECTRIQUE	PO	MM
① Hauteur hors tout de la zone d'alimentation	9	229
② Profondeur hors tout de la zone d'alimentation	1	25
③ Largeur de l'encoche dans la zone d'alimentation (deux côtés)	1/2	13
④ Hauteur des côtés de la zone d'alimentation (deux côtés)	5	127

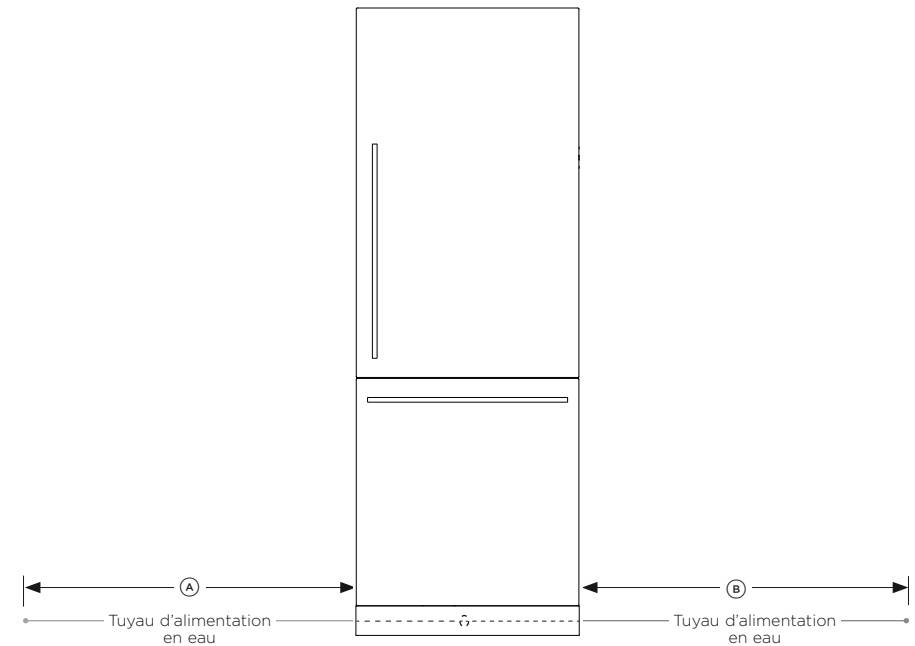
SPÉCIFICATIONS ÉLECTRIQUES



Alimentation	115 V CA, 60 Hz
Circuit	10 ampères
Prise	3 broches avec mise à la terre
Cordon d'alimentation (longueur totale)	78 3/4 po (2 000 mm)

DISTANCE MAXIMALE DU CORDON D'ALIMENTATION	RS24		RS30	
	po	mm	po	mm
Ⓐ Longueur du cordon d'alimentation depuis le côté gauche de l'appareil (excluant la fiche)	71 1/4	1 809	68 1/4	1 733
Ⓑ Longueur du cordon d'alimentation depuis le côté droit de l'appareil (excluant la fiche)	72 1/4	1 835	69 1/4	1 759

SPÉCIFICATIONS DE PLOMBERIE

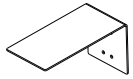


Alimentation	Tuyau tressé en acier inoxydable BSP de 1/2 po (12,7 mm) avec adaptateur
Pression psi (kPa)	min. 150 psi (22) / max. 827 psi (120 kPa) @ 68 °F (20 °C)
Tuyau d'alimentation en eau (longueur totale)	118 1/8 po (3 000 mm)

DISTANCE MAXIMALE DU TUYAU D'ALIMENTATION EN EAU FOURNI	RS24		RS30	
	po	mm	po	mm
Ⓐ Longueur du tuyau d'alimentation en eau depuis le côté gauche de l'appareil	86 7/16	2 196	83 7/16	2 120
Ⓑ Longueur du tuyau d'alimentation en eau depuis le côté droit de l'appareil	73 15/16	1 878	70 15/16	1 802

INSTALLATION DU SUPPORT ANTIBASCULEMENT

Ensemble d'assemblage de support antibasculement



Support antibasculement (1)

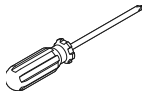


Cheville pour maçonnerie (4)

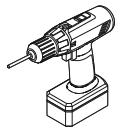


Vis cruciforme n° 10x40 (4)

Outils



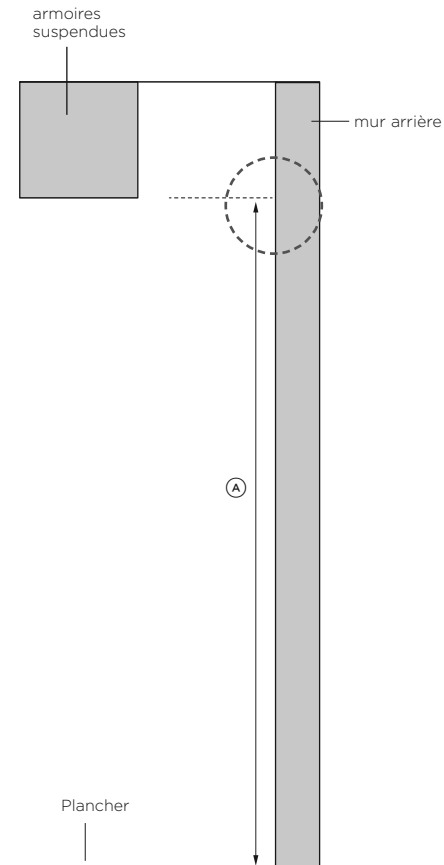
Tournevis cruciforme



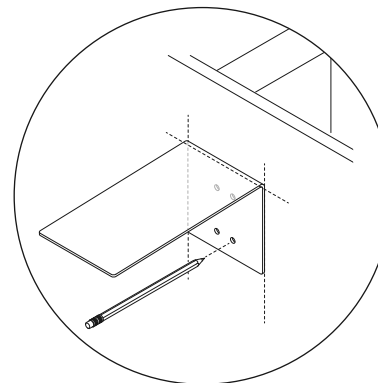
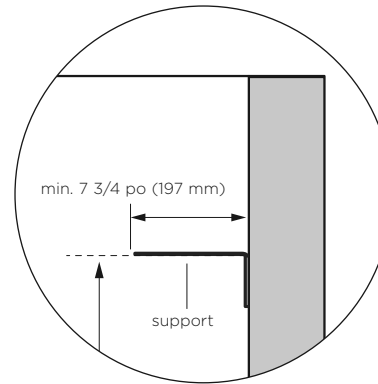
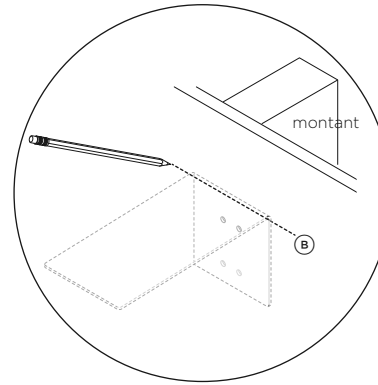
Perceuse électrique



Crayon



VUE DE PROFIL

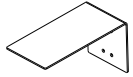


Localisation de la position de fixation du support antibasculement

- ① Mesurez la hauteur **(A)** de l'emplacement de fixation sur le mur arrière, correspondant à la distance entre le plancher et la finition de l'alcôve, puis marquez une ligne horizontale **(B)**.
 - La hauteur **(A)** ne doit pas dépasser 84 3/16 po (2 138 mm) pour assurer que l'appareil ne basculera pas pendant l'installation.
 - Assurez-vous qu'il y ait un montant derrière le mur.
- ② Placez le support sur le mur arrière. Alignez la surface inférieure du support sur la ligne marquée.
- ③ Marquez les emplacements des trous de vis, puis percez les trous à l'aide d'une perceuse électrique.
 - Pour l'installation sur un mur solide, percez des trous adaptés à la taille des chevilles pour maçonnerie.

INSTALLATION DU SUPPORT ANTIBASCULEMENT

Ensemble d'assemblage de support antibasculément



Support antibasculément (1)

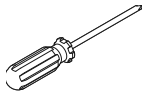


Cheville pour maçonnerie (4)

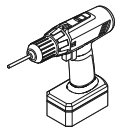


Vis cruciforme n° 10x40 (4)

Outils



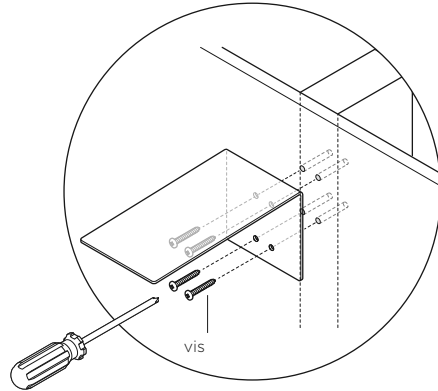
Tournevis cruciforme



Perceuse électrique

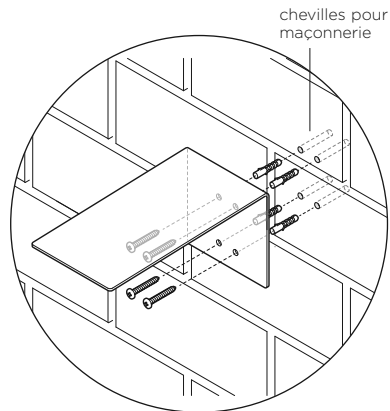


Crayon



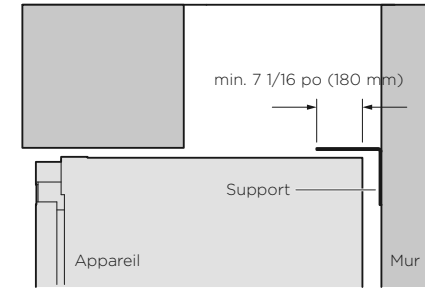
Pour un mur en plaque de plâtre

Fixez le support antibasculément au mur à l'aide de vis cruciformes n° 10x40 mm, puis vissez fermement avec un tournevis.



Pour l'installation sur un mur solide

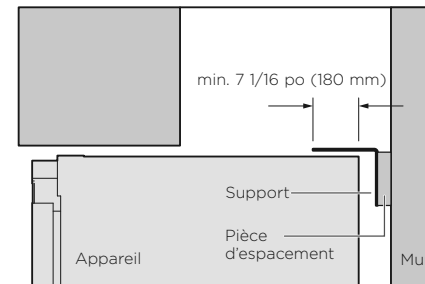
À l'aide d'un marteau, enfoncez les chevilles pour maçonnerie 10x30 mm dans le mur afin qu'elles soient au même niveau que ce dernier. Fixez le support au mur à l'aide de vis cruciformes n° 10x40 mm, puis vissez fermement.



VUE DE PROFIL

Déplacez lentement l'appareil dans les armoires jusqu'à ce que le support antibasculément chevauche le rebord arrière de l'appareil.

- Vérifiez que le support chevauche l'appareil d'un minimum de 7 1/16 po (180 mm) pour assurer un maintien stable.



VUE DE PROFIL

S'il n'est pas possible d'obtenir un chevauchement minimum de 7 1/16 po (180 mm), installez une pièce d'espacement solide sur le montant de mur derrière le support.

- Assurez-vous de ne pas rouler sur le cordon d'alimentation lors du déplacement de l'appareil.

Ensemble de raccords d'alimentation en eau



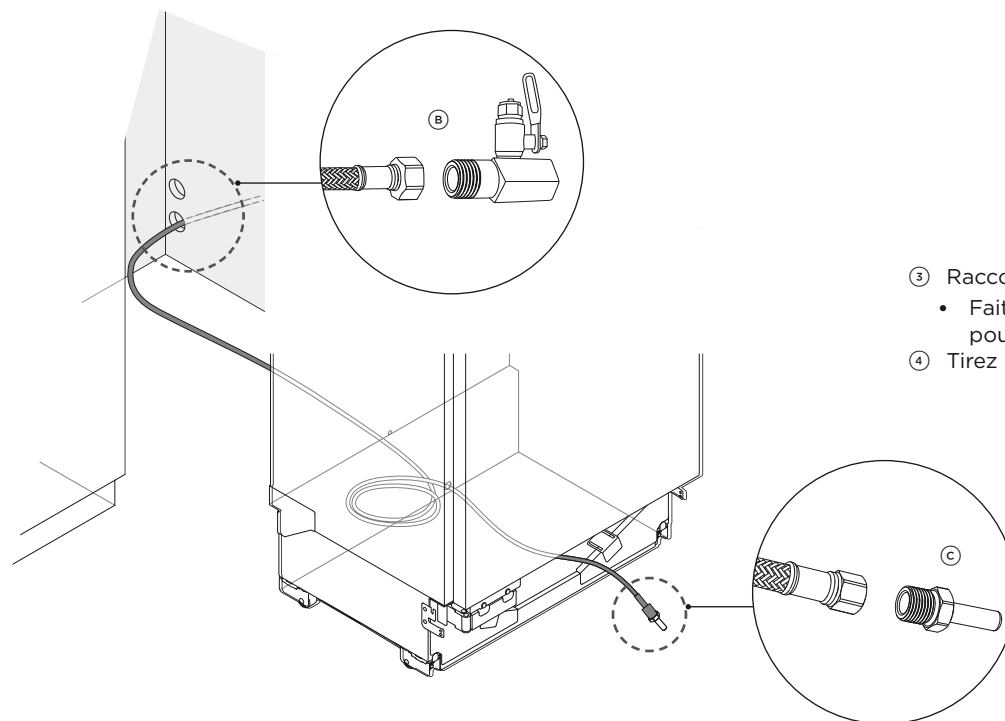
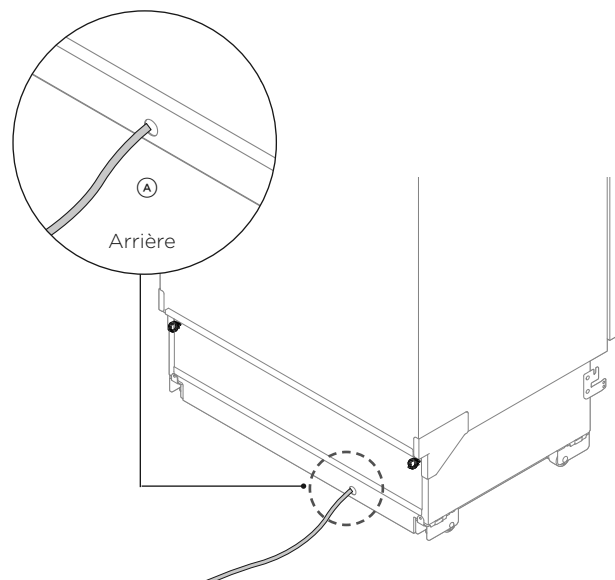
Clip de blocage de collet
(1)



Tuyau tressé en acier inoxydable BSP de 7/16 po (11 mm) avec adaptateur
(1)



Adaptateur de 1/4 po (6,35 mm)
(2)



Raccordement à l'alimentation en eau

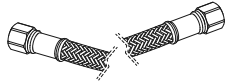
- ① Déplacez l'appareil vers l'avant des armoires, à une distance permettant d'accéder à l'arrière pour raccorder l'alimentation électrique et l'alimentation en eau.
- ② Insérez l'extrémité pour adaptateur du tuyau tressé dans une ouverture à l'arrière de la v plinth de l'appareil **(A)**, puis poussez le tuyau entièrement vers l'avant de l'appareil
- ③ Raccordez une extrémité du tuyau tressé au robinet d'eau **(B)**.
 - Faites couler de l'eau dans le tuyau avant de le raccorder à l'appareil pour éliminer tout débris présent dans le tuyau.
- ④ Tirez le tuyau depuis l'avant de l'appareil et raccordez un adaptateur **(C)**.

RACCORDEMENT DE L'ALIMENTATION EN EAU ET DE L'ALIMENTATION ÉLECTRIQUE

Ensemble de raccords d'alimentation en eau



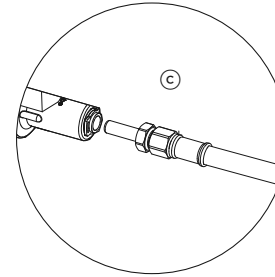
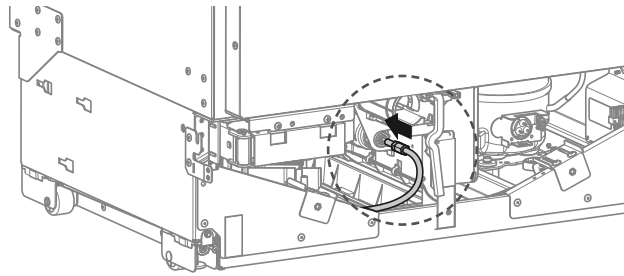
Clip de blocage de collet (1)



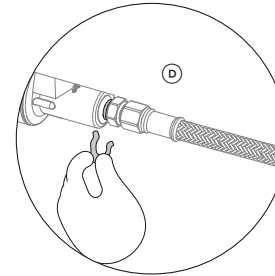
Tuyau tressé en acier inoxydable BSP de 7/16 po (11 mm) avec adaptateur (1)



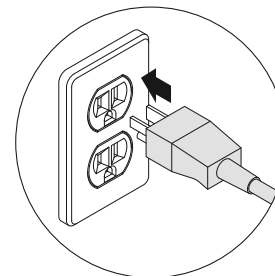
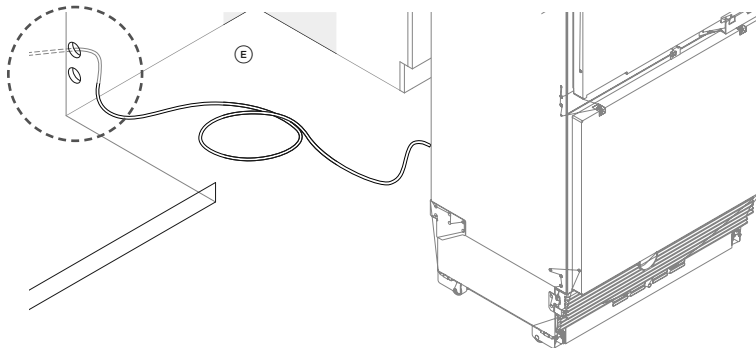
Adaptateur de 1/4 po (6 mm) (2x)



- ⑤ Insérez entièrement l'extrémité de tuyau de l'adaptateur dans le dispositif PLV (C) dans la partie avant inférieure de l'appareil.



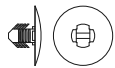
- ⑥ Fixez le raccordement avec un clip de blocage entre le dispositif PLV et l'extrémité de tuyau de l'adaptateur (D).
- Vérifiez le raccordement et ouvrez l'alimentation en eau pour vérifier s'il y a des fuites.



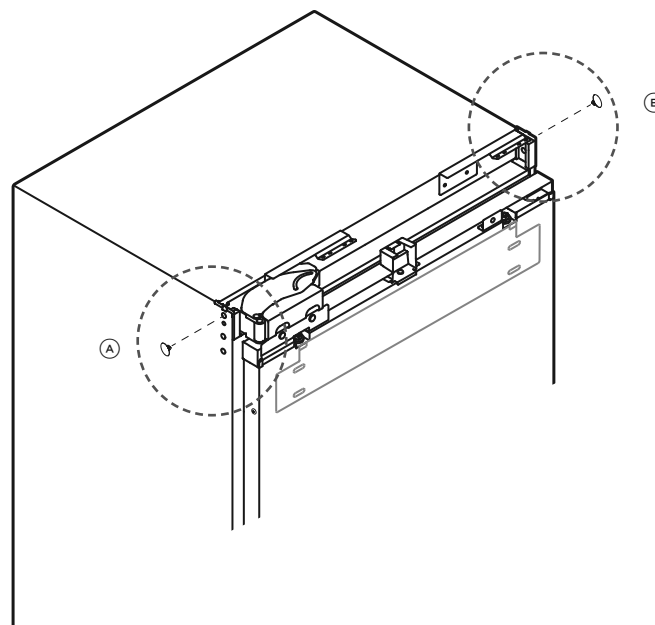
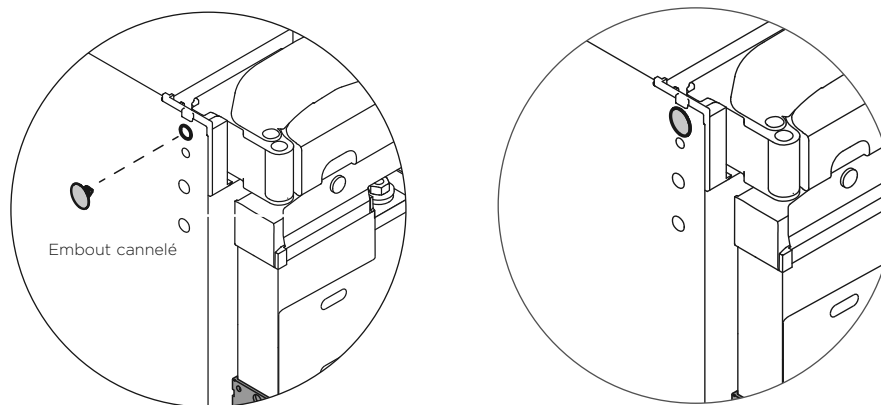
Raccordement à l'alimentation électrique

- ① À l'arrière de votre appareil, connectez le câble d'alimentation à l'alimentation électrique (115 V CA, 60 Hz) (E).
- Une tonalité est émise lors de la mise en marche de l'appareil.
 - Reportez-vous au 'Guide d'utilisation' pour plus de détails sur l'activation de l'appareil.

Ensemble de fixations d'installation



Embouts cannelés
(2)

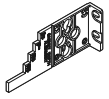


Fixation des embouts cannelés

- ① Avant de déplacer l'appareil dans la cavité, insérez un embout cannelé dans un grand trou sur le côté supérieur gauche (**A**) de l'appareil.
- Les embouts protègent la surface intérieure des armoires des dommages pouvant être causés par les vis lors de l'insertion de l'appareil.

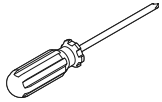
Répétez les étapes ① – ② sur le côté droit (**B**) de l'appareil.

Ensemble de fixations d'installation

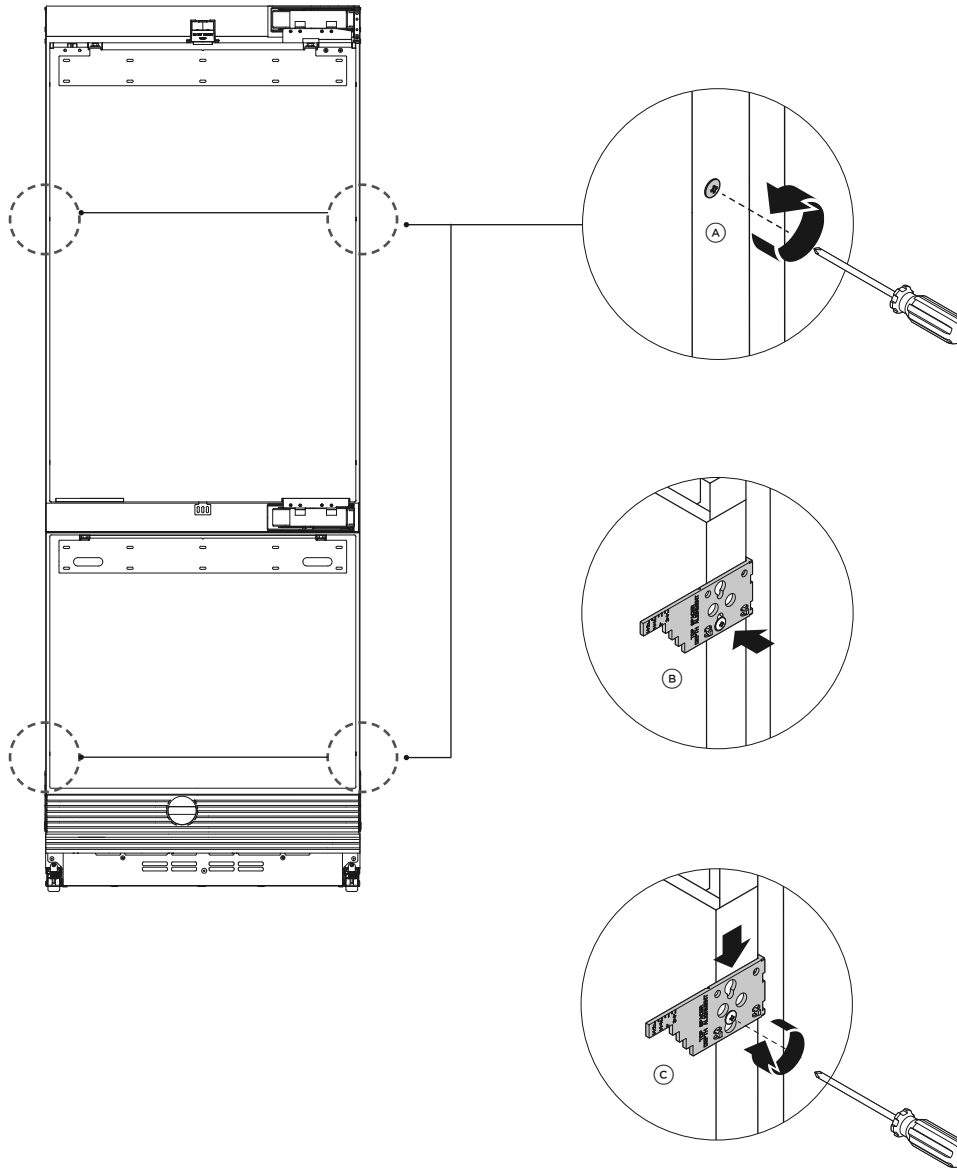


Jauge d'alignement de profondeur (4)

Outils

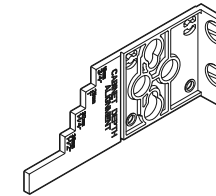


Tournevis cruciforme

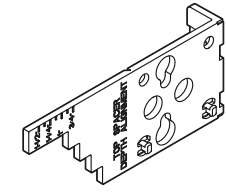


Fixation des jauges d'alignement de profondeur

- ① Desserrez les vis sur les côtés gauche et droit dans le haut et le bas de la porte. **(A)**
- ② Placez les jauges d'alignement dans le bon sens sur les vis des côtés gauche et droit.



Gauche

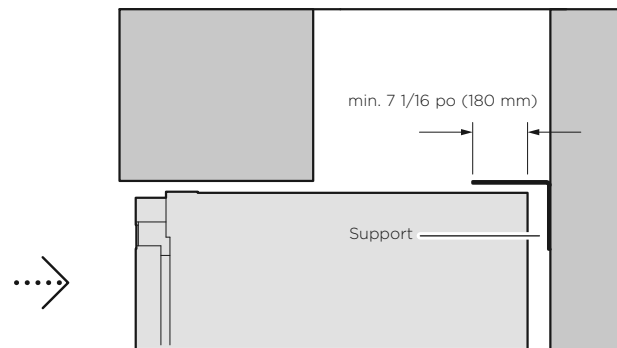


Droite

- ③ Positionnez la jauge d'alignement en insérant la tête de vis au travers de l'encoche en trou de serrure de la jauge. **(B)**

- ④ Poussez la jauge d'alignement vers le bas pour verrouiller la vis en position dans l'encoche en trou de serrure. **(C)**
- ⑤ Serrez la vis juste assez pour maintenir fermement la jauge.

Les jauges d'alignement sont seulement temporaires; elles doivent être retirées après l'installation.

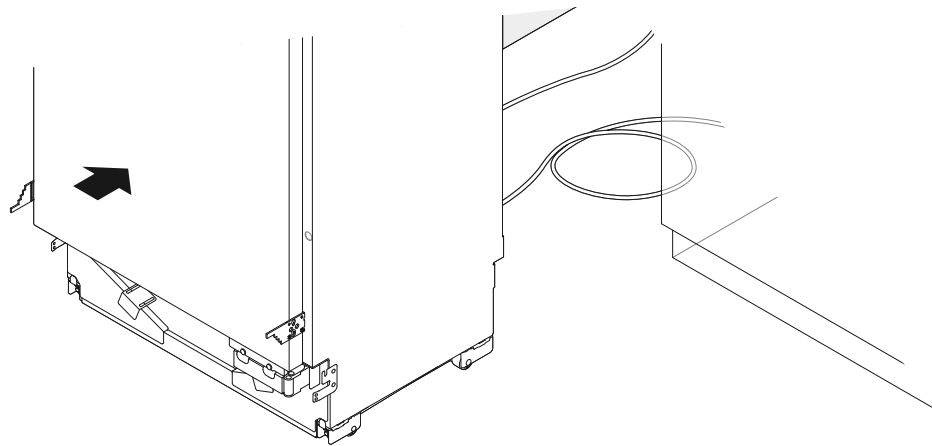


VUE DE PROFIL

Positionnement dans les armoires

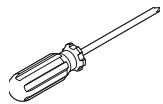
- ① Déplacez lentement l'appareil dans les armoires jusqu'à ce que le support antibasculement chevauche le rebord arrière de l'appareil.

Vérifiez que le support chevauche l'appareil d'un minimum de 7 1/16 po (180 mm) pour assurer un maintien stable.



Assurez-vous de ne pas rouler sur le tuyau d'alimentation en eau et le cordon d'alimentation lors du déplacement de l'appareil.

Outils



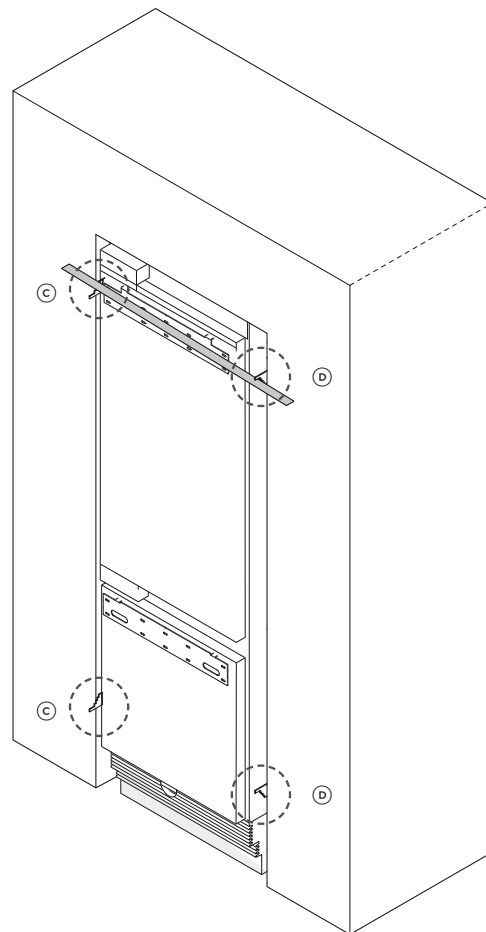
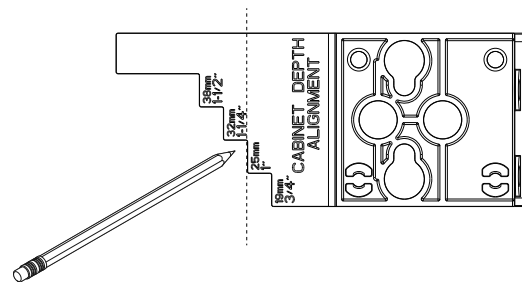
Tournevis cruciforme



Règle

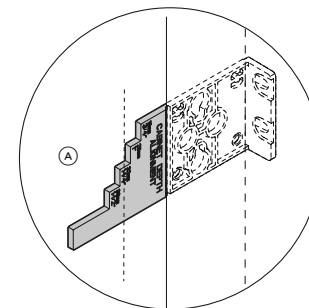


Crayon

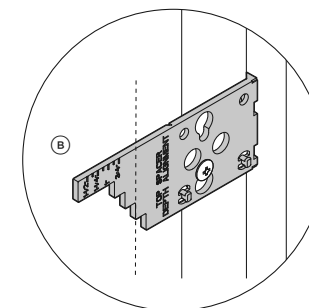


Alignement avec les jauges de profondeur

- Sur chaque côté de la porte, marquez le repère des jauges de profondeur (**A, B**) qui correspond à l'épaisseur du panneau de porte.
 - Dans les illustrations de cet exemple, l'épaisseur de panneau de porte de 1 po (25,4 mm) est marquée sur les jauges.

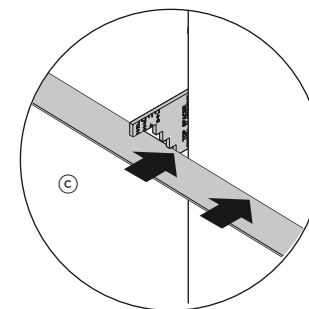


Gauche

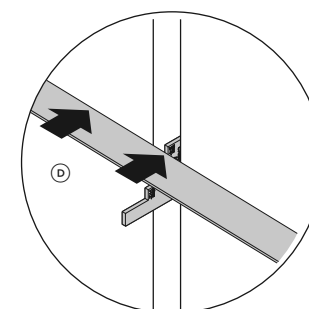


Droite

- Vérifiez que les espaces entre l'appareil et les parois des armoires sont égaux sur les côtés gauche et droit (**C, D**).

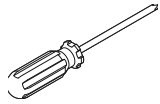


Gauche

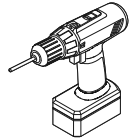


Droite

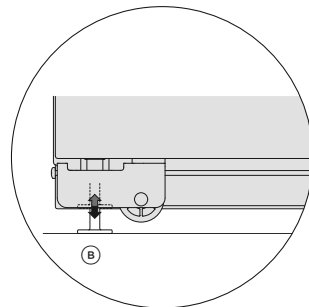
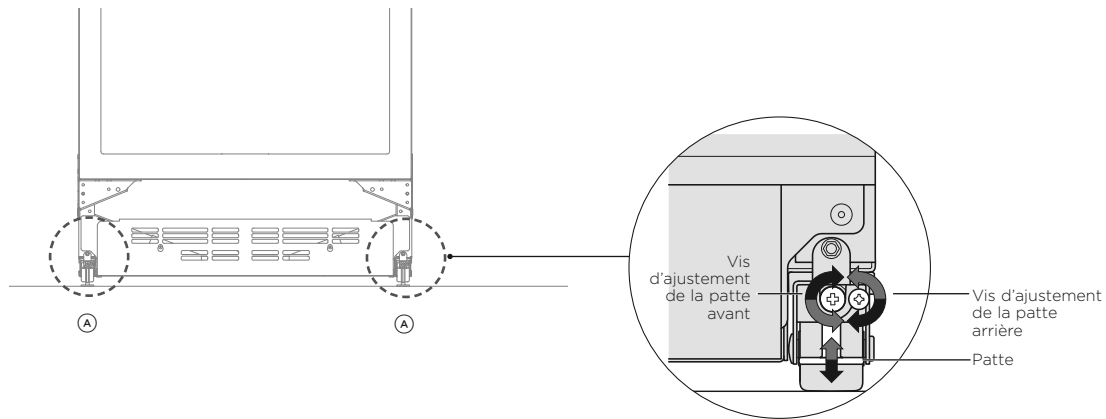
Outils



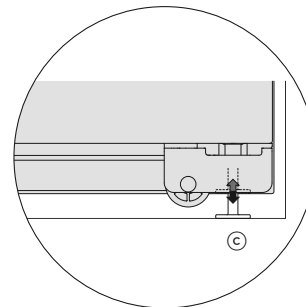
Tournevis cruciforme



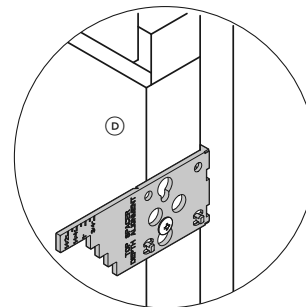
Visseuse électrique (optionnelle)



Vue de côté à l'avant



Vue de côté à l'arrière



Ajustement de l'alignement dans les armoires

- Tourner les vis d'ajustement avant et arrière (**A**) dans le sens des aiguilles d'une montre augmente la hauteur de l'appareil.
- Tourner les vis d'ajustement dans le sens inverse des aiguilles d'une montre diminue la hauteur de l'appareil.

- ① Tournez les vis d'ajustement avant et arrière dans le sens des aiguilles d'une montre pour allonger les pattes avant (**B**) et les pattes arrière (**C**) afin qu'elles reposent au sol et que le support supérieur atteigne le plafond de l'emplacement dans les armoires.

- ② Vérifiez les jauges de profondeur (**D**) pendant l'ajustement des vis pour maintenir l'alignement de l'appareil.

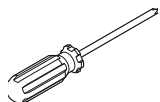
FIXATION DE L'APPAREIL AUX ARMOIRES

Ensemble de fixations d'installation

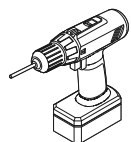


Vis à tête fraisée 8Gx16
(6)

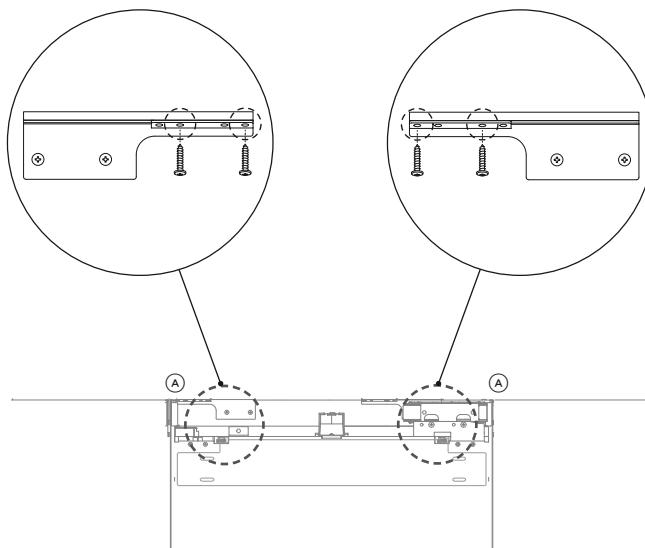
Outils



Tournevis cruciforme

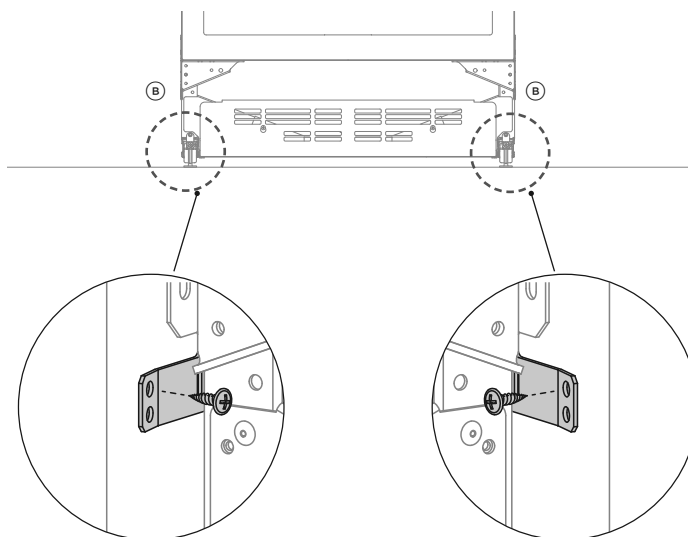


Visseuse électrique
(optionnelle)



Fixation des supports supérieurs

Fixez le support supérieur à la surface du plafond des armoires à l'aide de vis à tête fraisée 8Gx16. **(A)**



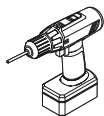
Fixation des supports latéraux

Fixez les supports latéraux (2x) aux côtés inférieurs droit et gauche des armoires à l'aide de vis à tête fraisée 8Gx16. **(B)**

Une fois l'appareil fixé aux armoires, retirez les jauges d'alignement et resserrez les vis latérales.

RETRAIT DES SUPPORTS D'ACCROCHAGE

Outils



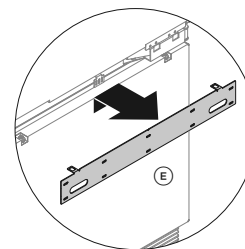
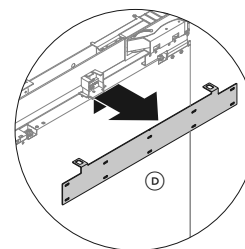
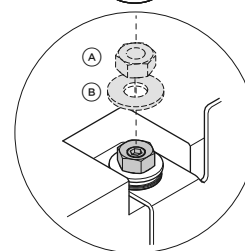
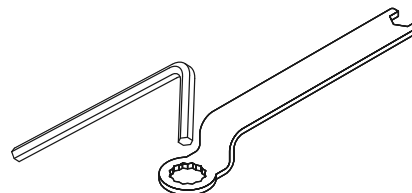
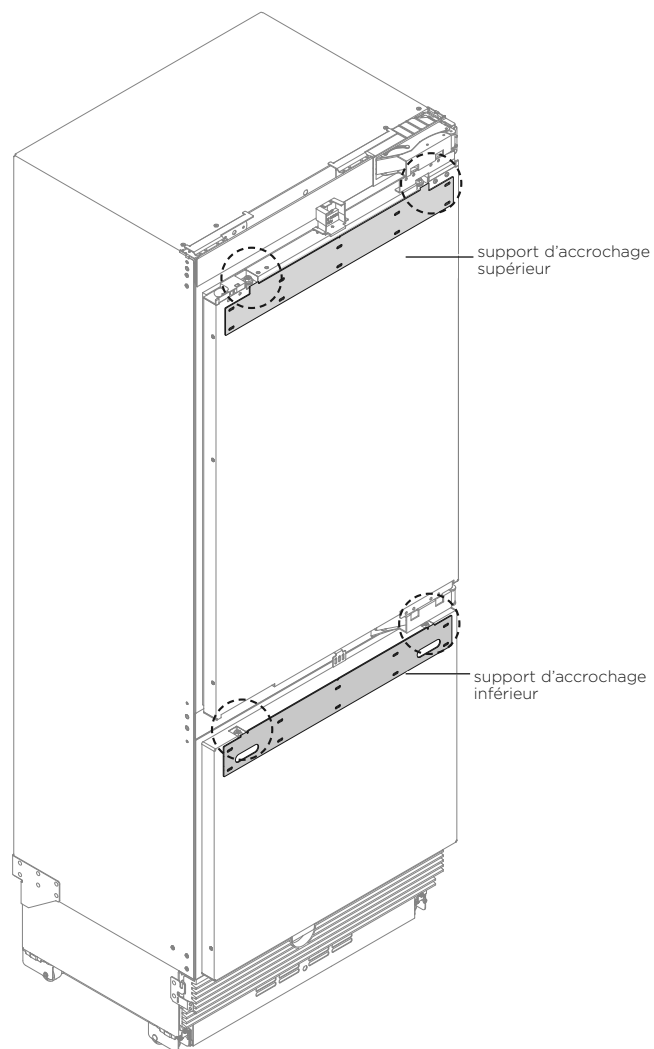
Visseuse électrique



Clé hexagonale M8
(1)



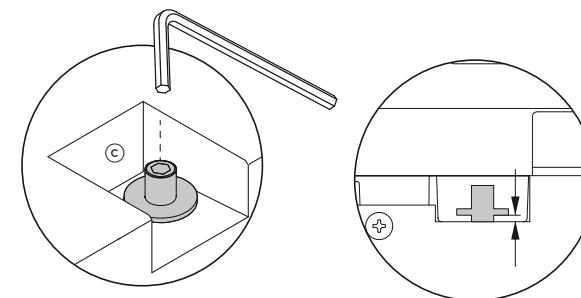
Clé 13 mm (1)



- Retirez l'écrou M8 (**A**) et la rondelle M8 (**B**) de la vis M8 dans le haut de la porte du réfrigérateur en utilisant la clé hexagonale et la clé fournies.
 - Répétez dans le haut de la porte de tiroir.

- Retirez les supports d'accrochage supérieur et inférieur (**D**, **E**), puis mettez-les de côté pour l'utilisation ultérieure.

- Desserrez la vis M8 (**C**) de 1/8 po (3 mm).

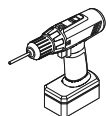


Ensemble de poignée de porte



Vis hexagonale M5x25
(4x)

Outils



Visseuse électrique



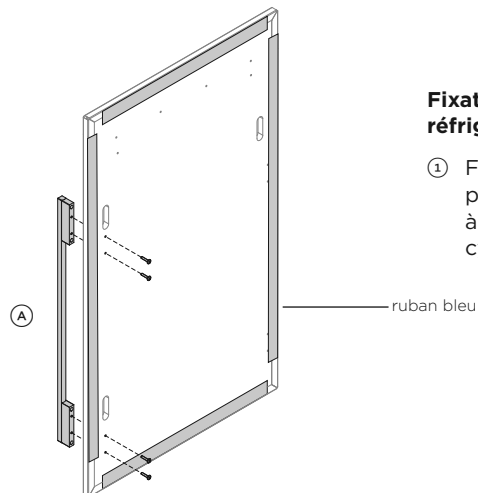
Clé hexagonale M8
(1)



Clé 13 mm (1)

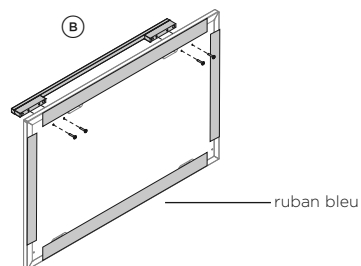
PANNEAUX EN ACIER INOXYDABLE

Avant d'installer la poignée, retirez la pellicule protectrice autour de la zone de fixation de la poignée du panneau en acier inoxydable.



Fixation de la poignée de porte du réfrigérateur

- Fixez la poignée de porte aux trous de poignée de la porte du réfrigérateur à l'aide de vis à tête creuse cylindrique M5x25. **(A)**

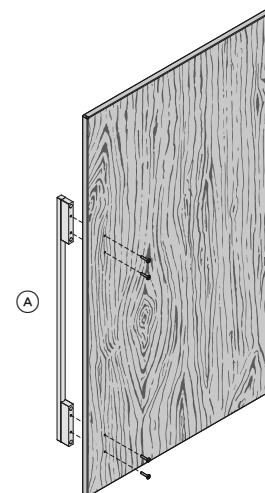


Fixation de la poignée de tiroir du congélateur

- Fixez la poignée de porte aux trous de poignée de la porte du congélateur à l'aide de vis à tête creuse cylindrique M5x25. **(B)**

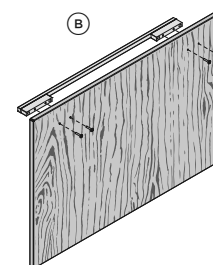
Après l'installation des poignées, retirez le ruban bleu apposé sur les rebords intérieurs des panneaux de portes.

PANNEAUX SUR MESURE



Fixation de la poignée de porte du réfrigérateur

- Reportez-vous à la page 'Dimensions de panneau de porte sur mesure' pour situer les trous de vis sur le panneau de porte.
- Fixez la poignée de porte supérieure aux trous de poignée de la porte du réfrigérateur à l'aide de vis rondelles n° 8x16. **(A)**



Fixation de la poignée de tiroir du congélateur

- Fixez la poignée de porte inférieure aux trous de poignée de la porte du congélateur à l'aide de vis rondelles n° 8x16. **(B)**

Assurez-vous que les poignées de porte et de tiroir ne nuisent pas à l'installation des supports de fixation latéraux. Reportez-vous à 'Dimensions d'installation de panneau de porte sur mesure' (page 17, page 25).

Ensemble de fixation de panneau de porte



Support latéral (6)



Pièce d'insertion pour support (6)



Pièce d'espacement de support (6)

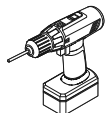


Vis rondelle 8Gx16 (30) — Pour panneaux en acier inoxydable



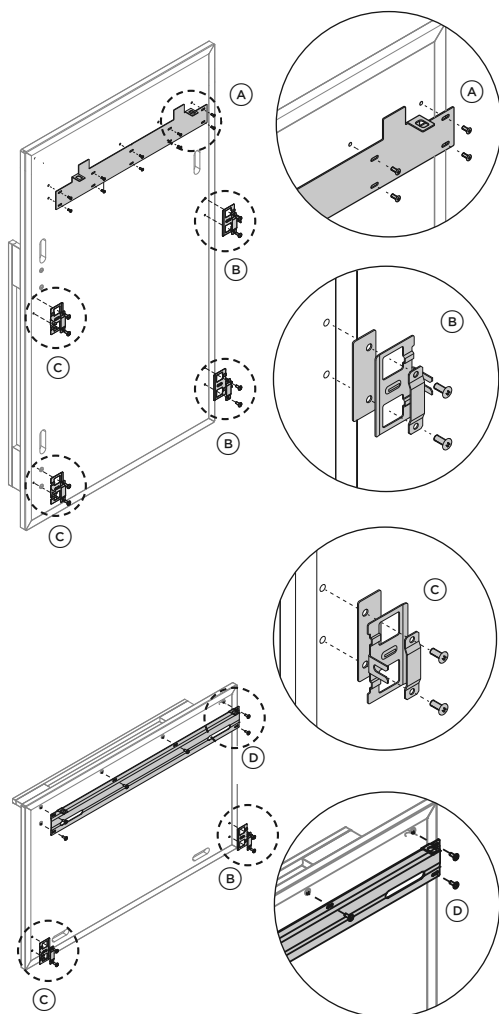
Vis cruciforme M5x12 (30) — Pour panneaux sur mesure

Outils



Visseuse électrique

PANNEAUX EN ACIER INOXYDABLE



Fixation du support d'accrochage supérieur

- Fixez le support d'accrochage supérieur (A) aux trous de vis du panneau de porte du réfrigérateur à l'aide de vis rondelles 8Gx16.

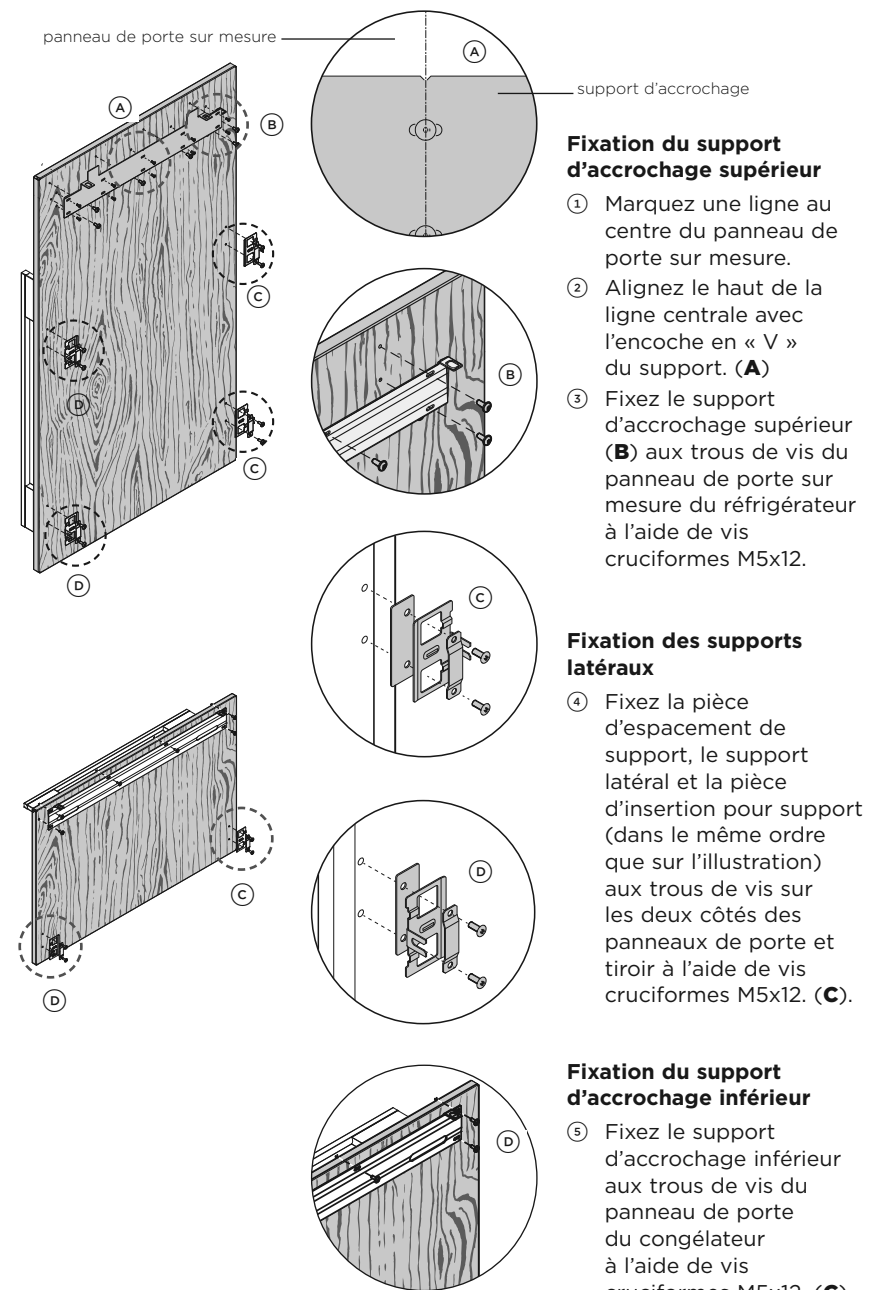
Fixation des supports latéraux

- Fixez la pièce d'espacement de support, le support latéral et la pièce d'insertion pour support (dans le même ordre que sur l'illustration) aux trous de vis sur les deux côtés des panneaux de porte et tiroir à l'aide de vis rondelles 8Gx16. (B)

Fixation du support d'accrochage inférieur

- Fixez le support d'accrochage inférieur (D) aux trous de vis du panneau de porte du congélateur à l'aide de vis rondelles 8Gx16.

PANNEAUX SUR MESURE



Fixation du support d'accrochage supérieur

- Marquez une ligne au centre du panneau de porte sur mesure.
- Alignez le haut de la ligne centrale avec l'encoche en « V » du support. (A)
- Fixez le support d'accrochage supérieur (B) aux trous de vis du panneau de porte sur mesure du réfrigérateur à l'aide de vis cruciformes M5x12.

Fixation des supports latéraux

- Fixez la pièce d'espacement de support, le support latéral et la pièce d'insertion pour support (dans le même ordre que sur l'illustration) aux trous de vis sur les deux côtés des panneaux de porte et tiroir à l'aide de vis cruciformes M5x12. (C).

Fixation du support d'accrochage inférieur

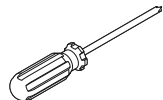
- Fixez le support d'accrochage inférieur aux trous de vis du panneau de porte du congélateur à l'aide de vis cruciformes M5x12. (D)

INSTALLATION DES PANNEAUX DE PORTE ET TIROIR

Outils



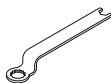
Visseuse électrique
(avec mèche de 2,5 mm)



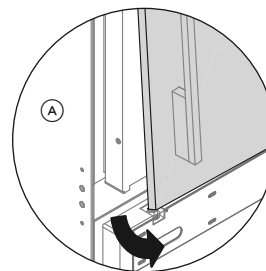
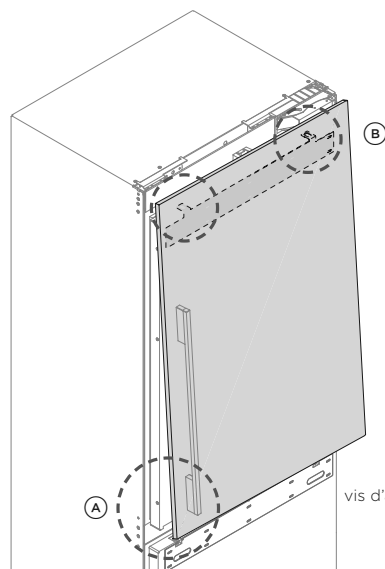
Tournevis cruciforme



Clé hexagonale M4
(1)

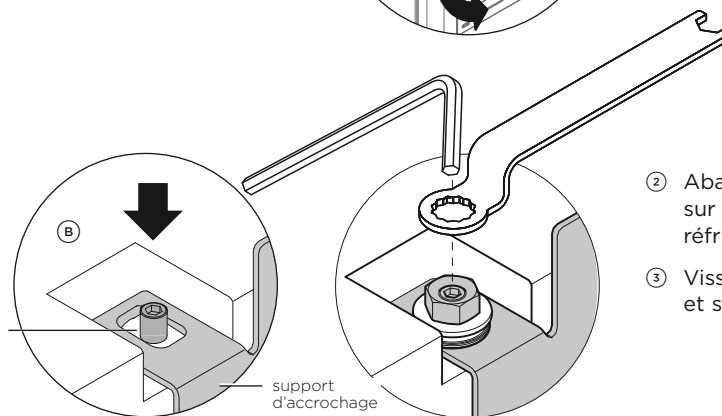


Clé 1/2 po (13 mm)
(1)



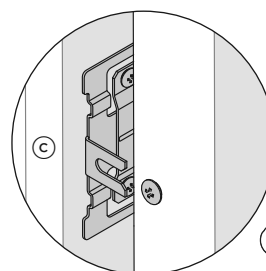
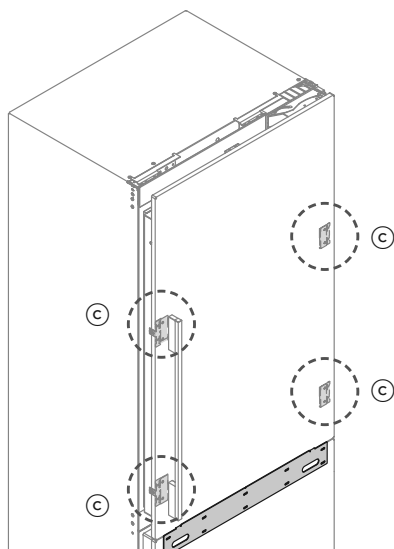
Suspension du panneau de porte du réfrigérateur

① Maintenez le panneau de porte avec un angle, vers le haut de la porte du réfrigérateur (A).

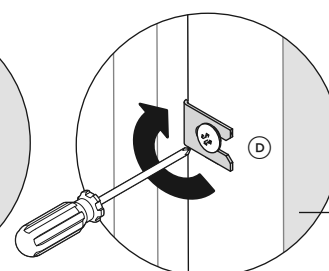


② Abaissez les trous de vis du support d'accrochage sur les vis d'ajustement dans le haut de la porte du réfrigérateur. (B)

③ Vissez la rondelle et l'écrou M8 sur la vis d'ajustement et serrez partiellement.



Vue isométrique du côté gauche

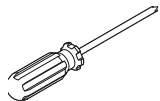


④ Glissez les supports latéraux (C) sur les vis latérales de la porte, puis alignez le panneau de porte pour qu'il soit bien droit avec la porte du réfrigérateur.

⑤ Serrez partiellement les vis latérales (D) pour fixer temporairement le panneau de porte.

Répétez les étapes 1 - 4 pour le panneau de tiroir du congélateur.

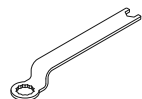
Outils



Tournevis cruciforme

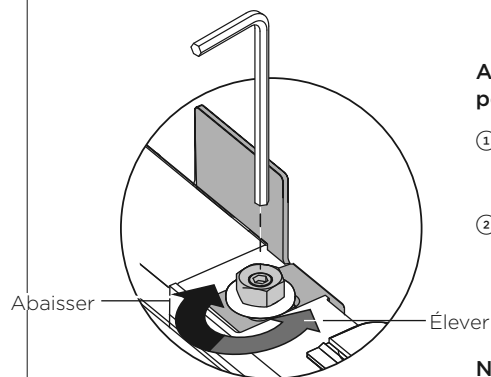


Clé hexagonale M4
(1)



Clé 13 mm
(1)

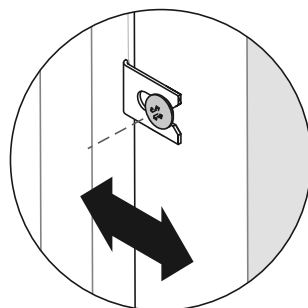
Assurez-vous que les supports latéraux soient partiellement vissés lors de l'ajustement de la hauteur du panneau de porte. N'ajustez pas la hauteur du panneau de porte lorsque les supports latéraux sont solidement vissés. Cela risque de produire un frottement causant la déformation des supports d'accrochage.



Ajustement de la hauteur du panneau de porte

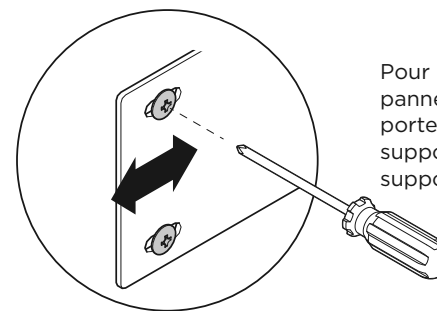
- ① Tournez la vis d'ajustement pour augmenter ou réduire la hauteur du panneau par rapport à la porte.
- ② Continuez l'ajustement jusqu'à l'obtention d'un espace de plus de 1/8 mm (3 mm) par rapport aux armoires.

N'ajustez pas la vis d'ajustement à plus de 1/4 po (6,5 mm) de sa position complètement abaissée.

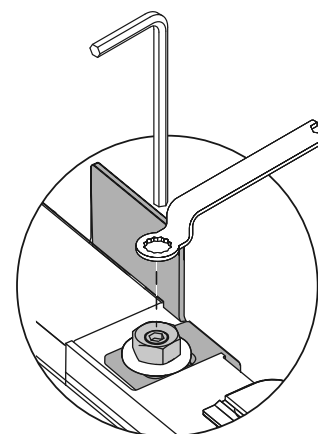


Ajustement de la profondeur du panneau de porte

- ③ Desserrez les vis latérales des supports latéraux, puis glissez le panneau de porte vers l'avant/arrière.
- ④ Une fois satisfait de l'ajustement, resserrez les vis.



Pour un ajustement supplémentaire du panneau de porte, retirez le panneau de porte et desserrez les vis de fixation du support d'accrochage, puis déplacez le support latéralement selon les besoins.

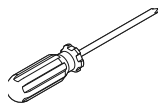


Pour un ajustement supplémentaire du panneau de porte, retirez le panneau de porte et desserrez les vis de fixation du support d'accrochage, puis déplacez le support latéralement selon les besoins.

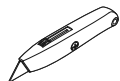
- Une fois satisfait de la position du panneau de porte, serrez complètement la rondelle et l'écrou M8 sur la vis d'ajustement.

INSTALLATION DU SUPPORT DE BLOCAGE

Outils



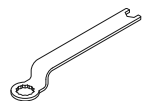
Tournevis cruciforme



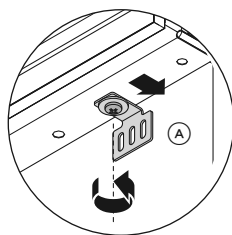
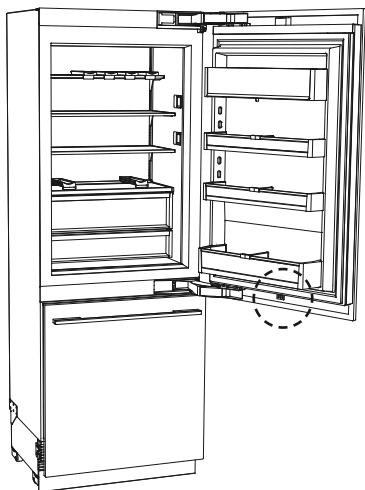
Couteau à lame rétractable



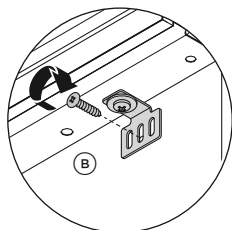
Clé hexagonale M4
(1)



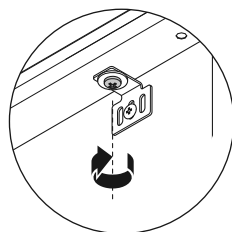
Clé 13 mm
(1)



- 1 Desserrez la vis dans le bas de la porte du réfrigérateur, puis glissez le support de blocage (A) vers l'extérieur jusqu'à ce qu'il touche au panneau.

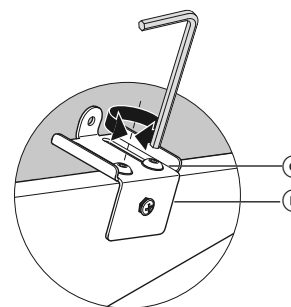
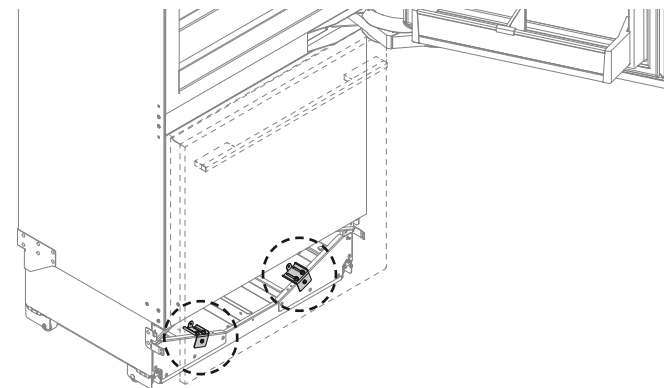


- 2 Fixez le support de blocage au panneau de porte à l'aide d'une vis à tête fraisée 8Gx16 (B).

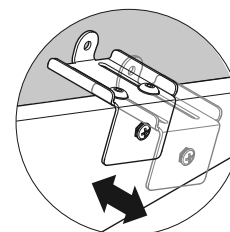


- 3 Resserrez la vis dans le bas de la porte.

INSTALLATION DES SUPPORTS D'AJUSTEMENT



- 1 Desserrez les vis d'assemblage (C) des supports d'ajustement (D) sur les deux côtés de la plinthe de l'appareil à l'aide d'une clé hexagonale.



- 2 Ajustez les supports à la profondeur souhaitée en les déplaçant vers l'avant/arrière.
- 3 Resserrez les vis d'assemblage lorsque vous êtes satisfait.

INSTALLATION DU PANNEAU DE PLINTHE

Pièces diverses



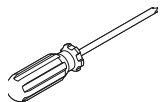
Joint d'étanchéité à l'air de la plinthe
(1)

Ensemble d'installation de la plinthe



Panneau de plinthe
(1)

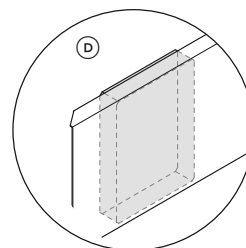
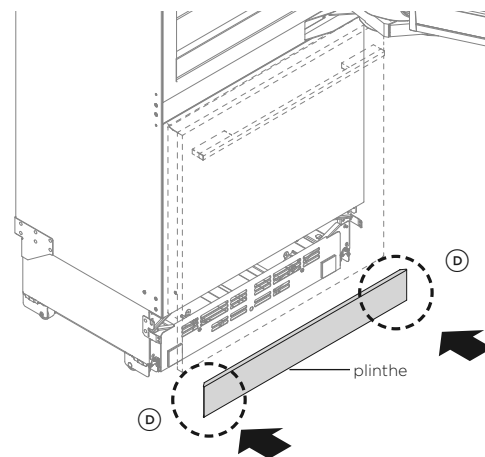
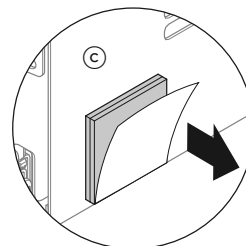
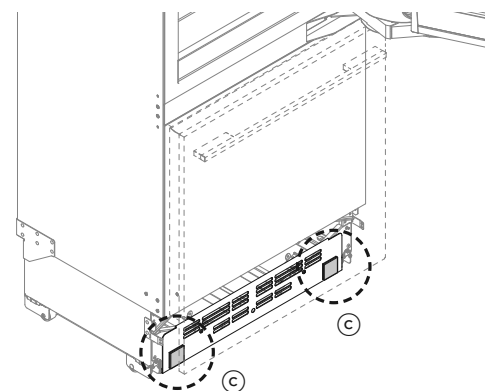
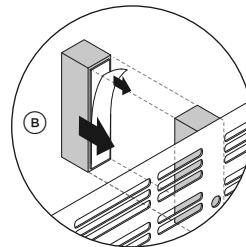
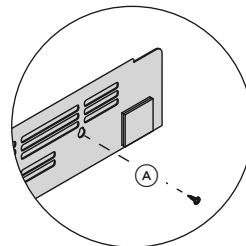
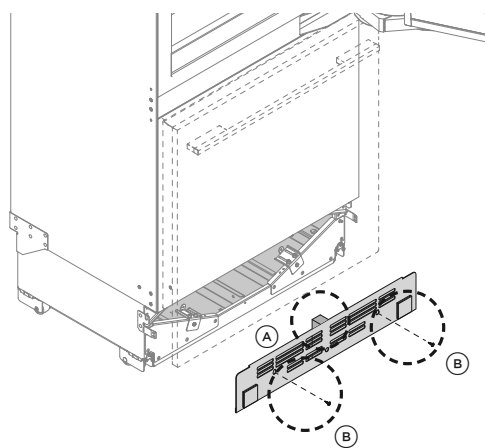
Outils



Tournevis cruciforme



Clé hexagonale M4
(1)



Installation de la plaque de fixation

- ① Réinstallez la plaque de fixation (**A**) sur la plinthe de l'appareil à l'aide des mêmes vis précédemment mises de côté.
- ② Si la profondeur de la plinthe est inférieure à 3 5/8 po (92 mm), fixez un joint d'étanchéité à l'air (**B**) sur la plaque de fixation.
 - Enlevez l'endos du ruban adhésif du joint d'étanchéité à l'air, puis fixez-le au centre de la partie arrière de la plaque de fixation.

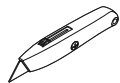
- ③ Enlevez l'endos du ruban adhésif des aimants (**C**) fixés à la plaque de fixation.

Fixation du panneau de plinthe

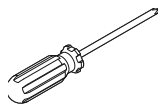
- ① Positionnez la plinthe devant la plaque de fixation.
 - Les pièces d'espacement (**D**) sur la plinthe doivent être alignées avec les aimants sur la plaque de fixation.
- ② Appuyez la plinthe sur la plaque de fixation pour la fixer en position.
 - Pour une plinthe sur mesure, les pièces d'espacement ne sont pas requises.
 - Pour les dimensions de plinthe adéquates, reportez-vous à 'Toe kick panel dimensions' pour plus d'informations.

INSTALLATION DES GRILLES DE PLINTHE

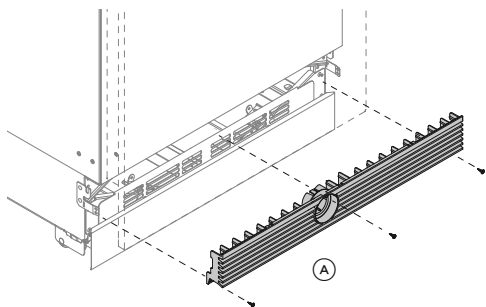
Outils



Couteau à lame rétractable

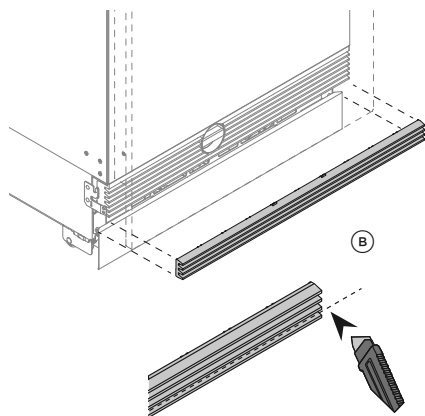


Tournevis cruciforme



Installation de la grille supérieure

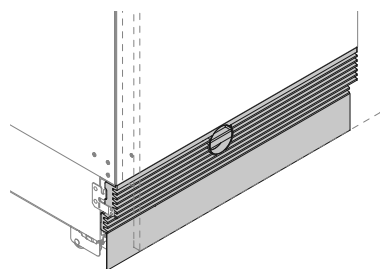
- 1 Refixez la grille supérieure (**A**) à l'aide des mêmes vis précédemment mises de côté.



Installation de la grille inférieure

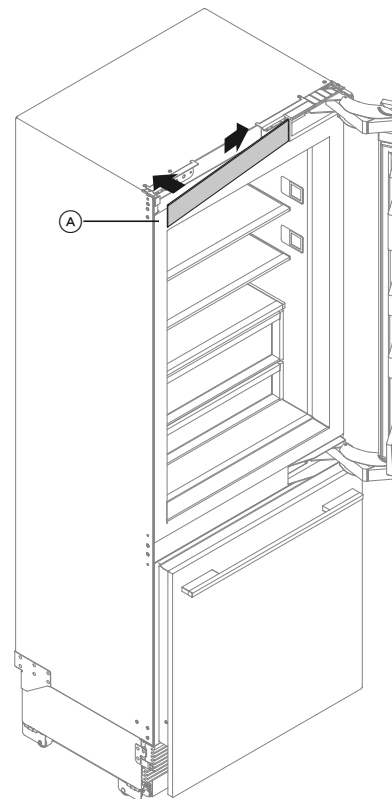
- 1 Refixez la grille inférieure (**B**) sur la plaque de fixation.

- Pour les hauteurs de plinthe de 4 1/2 po - 5 po (114mm-127mm), raccourcissez la grille inférieure en coupant le long des cannelures verticales.



Installation terminée de la plinthe et des grilles supérieure et inférieure

INSTALLATION DE LA GARNITURE SUPÉRIEURE



Réinstallation de la garniture supérieure

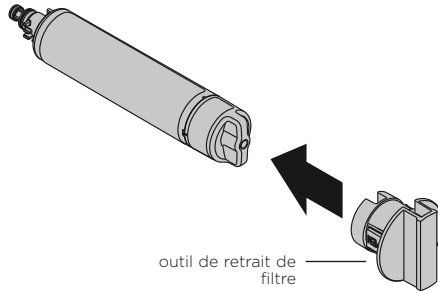
- 1 Glissez une extrémité de la garniture supérieure (**A**) dans la cavité de charnière de l'appareil.
- 2 Appuyez sur l'autre extrémité pour fixer les bandes Dual Lock sur le côté sans charnière de l'appareil.

INSTALLATION DU FILTRE À EAU

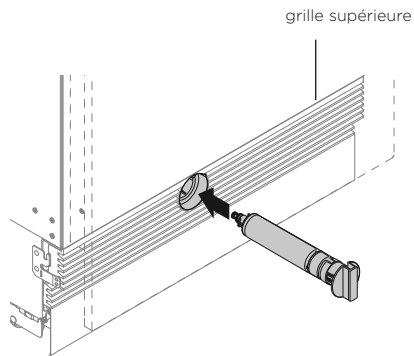
Outils fournis



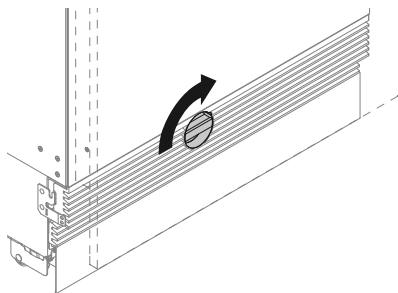
Filtre à eau
(1)



outil de retrait de
filtre

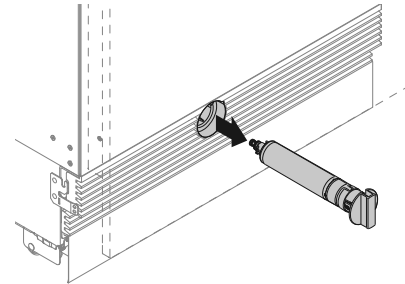
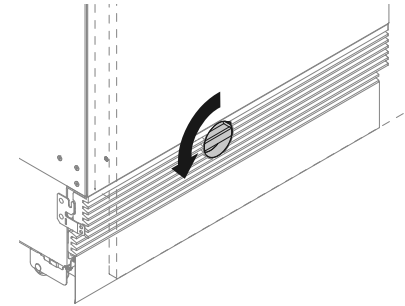


grille supérieure



Insertion du filtre à eau

- ① Retirez l'emballage du filtre à eau.
- ② Alignez la tête de filtre avec la fente de l'outil de retrait de filtre, puis poussez jusqu'à ce qu'il s'enclenche en place.
- ③ En utilisant l'outil de retrait de filtre, maintenez le filtre à eau avec la poignée positionnée à la verticale, puis insérez-le dans le boîtier de filtre par l'ouverture dans la grille supérieure.
- ④ Poussez fermement afin d'insérer le filtre à eau complètement dans le boîtier.
- ⑤ Tournez l'outil de retrait de filtre dans le sens des aiguilles d'une montre pour verrouiller le filtre à eau en place.

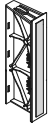


Retrait et réinstallation du filtre

- ① Pour retirer le filtre à eau, tournez l'outil de retrait de filtre dans le sens inverse des aiguilles d'une montre et tirez le filtre vers l'extérieur.
 - ② Dégagez l'outil de la tête de filtre et jetez le filtre à eau usé.
- Reportez-vous à 'Insertion du filtre à eau' lors du remplacement du filtre.

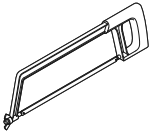
INSTALLATION DU DIVISEUR DE DÉBIT D'AIR

Pièces diverses



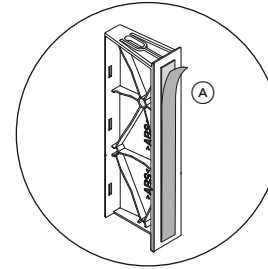
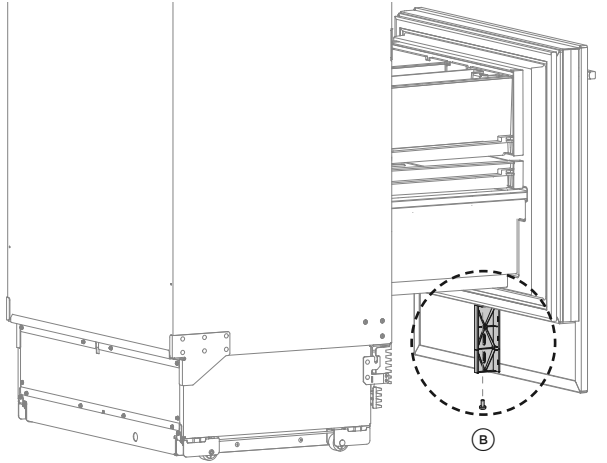
Capuchon de diviseur de débit
(1)

Outils

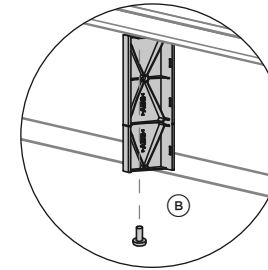


Scie à métaux

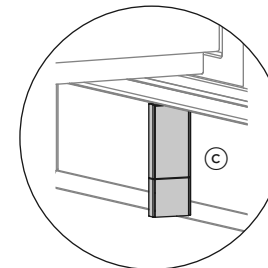
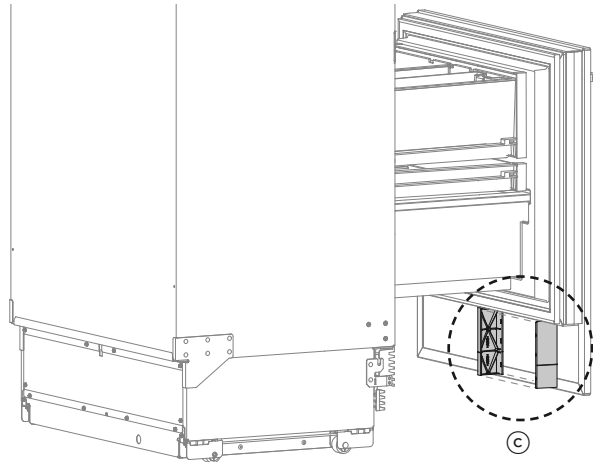
Le diviseur de débit d'air empêche la dérivation du débit d'air devant la grille inférieure.



- ① Retirez le revêtement de la couche adhésive (**A**) du diviseur de débit d'air.



- ② Réinstallez le diviseur de débit d'air (**B**) dans le bas du tiroir de congélateur avec la vis.
 - Assurez-vous que le côté de la couche adhésive du diviseur soit en contact avec le panneau de porte.
- ③ Appuyez le diviseur de débit fermement contre le panneau de porte.



- ④ Fixez un capuchon (**C**) sur le diviseur de débit.

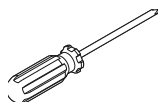
INSTALLATION DES GARNITURES LATÉRALES DE BÂTI

Pièces à installer

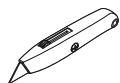


Garniture latérale de bâti
(2)

Outils

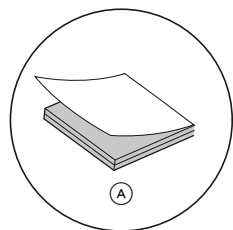


Tournevis cruciforme

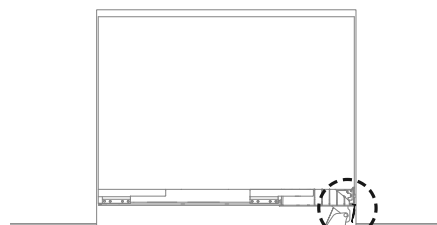


Couteau à lame rétractable

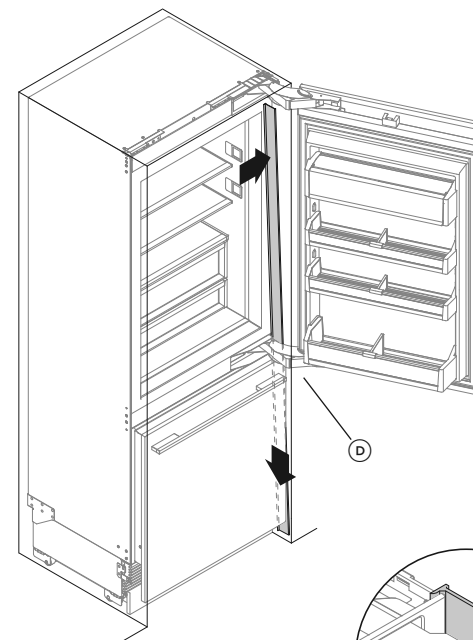
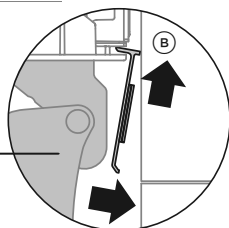
Les bandes adhésives double face sont préfixées à quatre emplacements le long de la garniture latérale.



① Enlevez le revêtement des bandes adhésives double face (A).

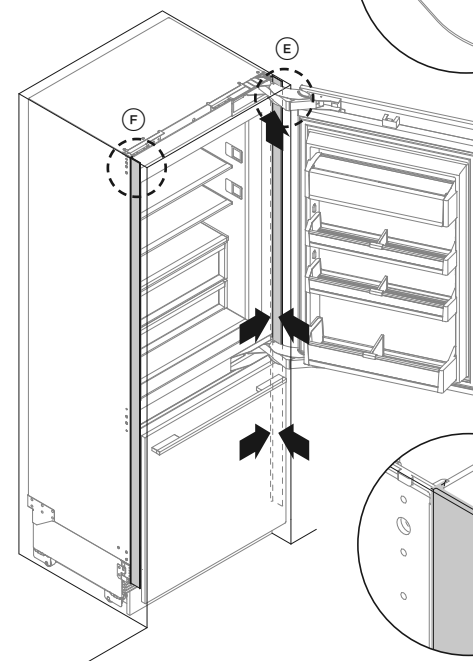
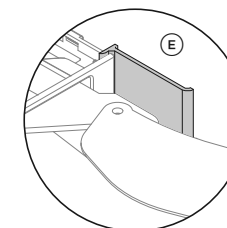


② Positionnez la garniture (B) avec un angle sur le col de la charnière de porte (C).



③ Maintenez la garniture latérale dans le même angle et glissez l'extrémité inférieure derrière la charnière inférieure, vers le bas jusqu'au côté du tiroir inférieur. (D)

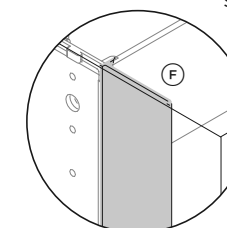
④ Glissez l'extrémité supérieure de la garniture latérale derrière la charnière supérieure.



⑤ Insérez la garniture latérale derrière la cavité de la charnière supérieure. (E)

⑥ Appuyez la bande adhésive sur la cavité en vous assurant que la garniture repose également contre la face intérieure de l'appareil.

⑦ Sur le côté sans charnière, glissez la garniture latérale derrière la garniture supérieure. (F)



INSTALLATION DES GARNITURES LATÉRALES DE PORTE ET TIROIR

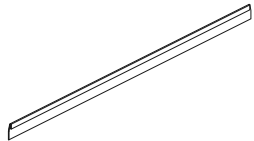
Ensemble d'installation de garnitures



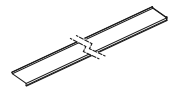
Profilé latéral du panneau de porte supérieur (2)



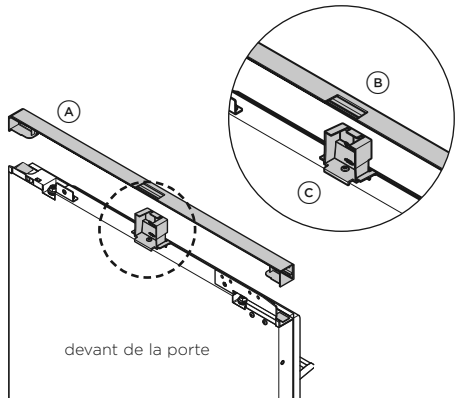
Profilé latéral du panneau de tiroir inférieur (2)



Garniture supérieure de tiroir inférieur (1)



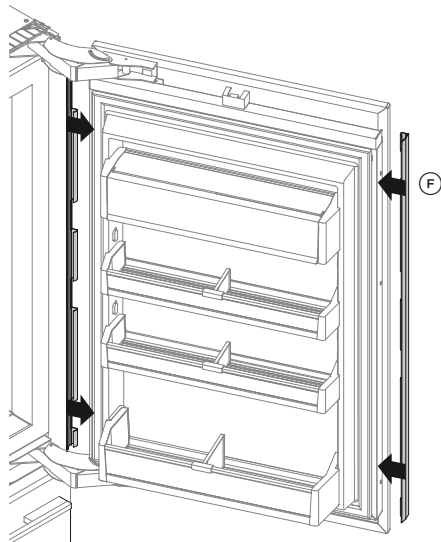
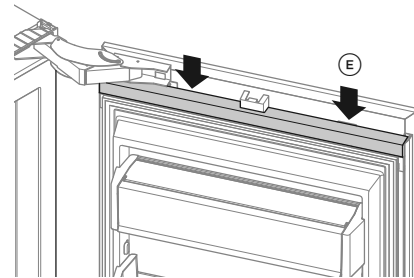
Garniture latérale de bâti (2)



devant de la porte

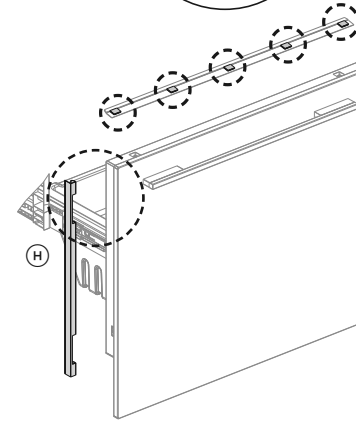
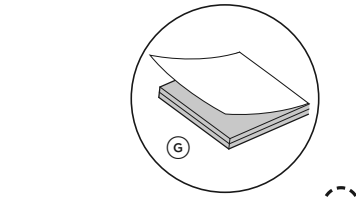
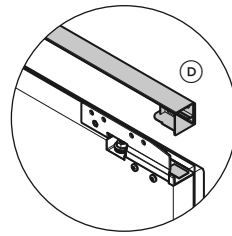
Installation du profilé supérieur de porte

- 1 Alignez le profilé supérieur (A) sur le haut de la porte, puis faites correspondre l'encoche (B) avec le compartiment à aimant (C).
- 2 Enclenchez les capuchons de garniture (D) aux deux extrémités du profilé supérieur dans le haut de la porte.
- 3 Poussez le profilé supérieur vers le bas sur la surface supérieure de la porte. (E)



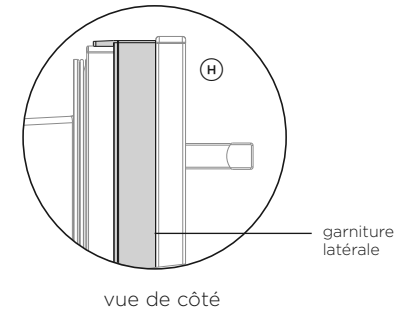
Installation des profilés latéraux de porte

- 1 Poussez les garnitures latérales (F) pour les insérer dans les espaces du panneau à droite et gauche de la porte.
- 2 Alignez les parties supérieures des garnitures latérales avec les extrémités droite et gauche du profilé supérieur.



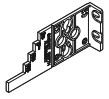
Installation des garnitures supérieure et latérales de tiroir

- 1 Enlevez l'endos adhésif des bandes adhésives préfixées sur le dessous de la garniture supérieure (G).
- 2 Poussez la garniture supérieure fermement vers le bas pour la fixer sur la surface arrière du panneau de tiroir.
 - Assurez-vous que la garniture repose complètement contre la surface supérieure du tiroir.
- 3 Installez les garnitures latérales (H) en les insérant dans l'espace du panneau de chaque côté de la porte.
 - Assurez-vous que le bâti soit centré pour éviter toute obstruction avec les garnitures latérales.



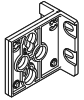
L'installation de votre colonne est maintenant terminée!

Ensemble de fixations d'installation



Jauges d'alignement de profondeur (4)

Ensemble de support de liaison supérieure

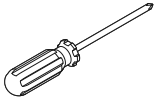


Pièce d'espacement centrale (1)

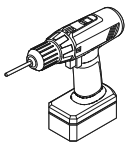


Vis rondelle 8Gx16 (2)

Outils

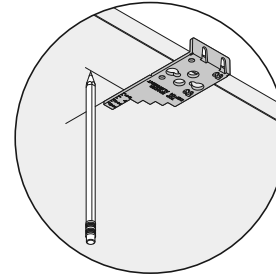
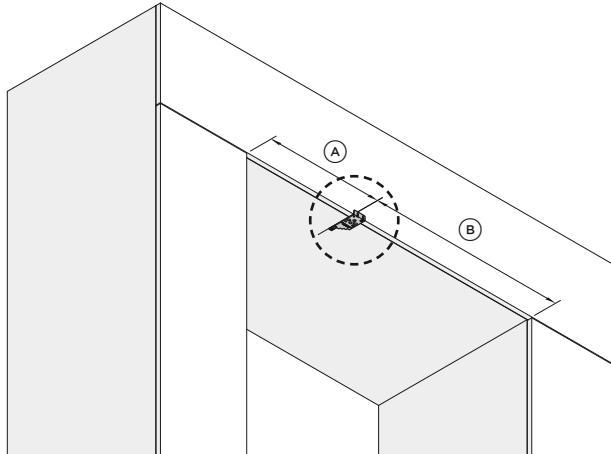


Tournevis cruciforme



Visseuse électrique (optionnelle)

Fixez la pièce d'espacement centrale aux armoires

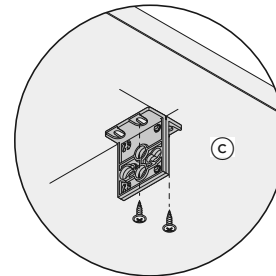
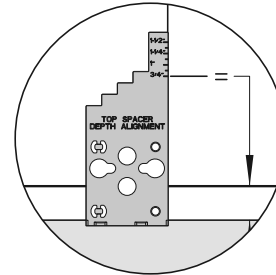


- ① Mesurez les largeurs des côtés gauche (**A**) et droit (**B**) vers le centre de l'alcôve pour déterminer l'emplacement de la pièce d'espacement.

Reportez-vous à la page 'Dimensions de la cavité' pour les

mesures de largeur adéquates pour l'appareil.

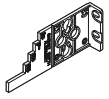
- ② Marquez l'emplacement de fixation de la pièce d'espacement centrale au plafond de l'alcôve en utilisant la jauge d'alignement de profondeur (**C**).
 - La position de profondeur de la pièce d'espacement dépend de l'épaisseur du panneau de porte.



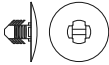
- ③ Fixez une pièce d'espacement centrale (**C**) au plafond de l'alcôve à l'aide de deux vis à tête fraisée 8Gx16.
- ④ Serrez les vis avec un tournevis ou une visseuse électrique.

INSTALLATION DOUBLE

Ensemble de fixations d'installation

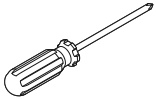


Jauges d'alignement de profondeur (4)

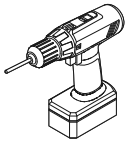


Embouts cannelés (2)

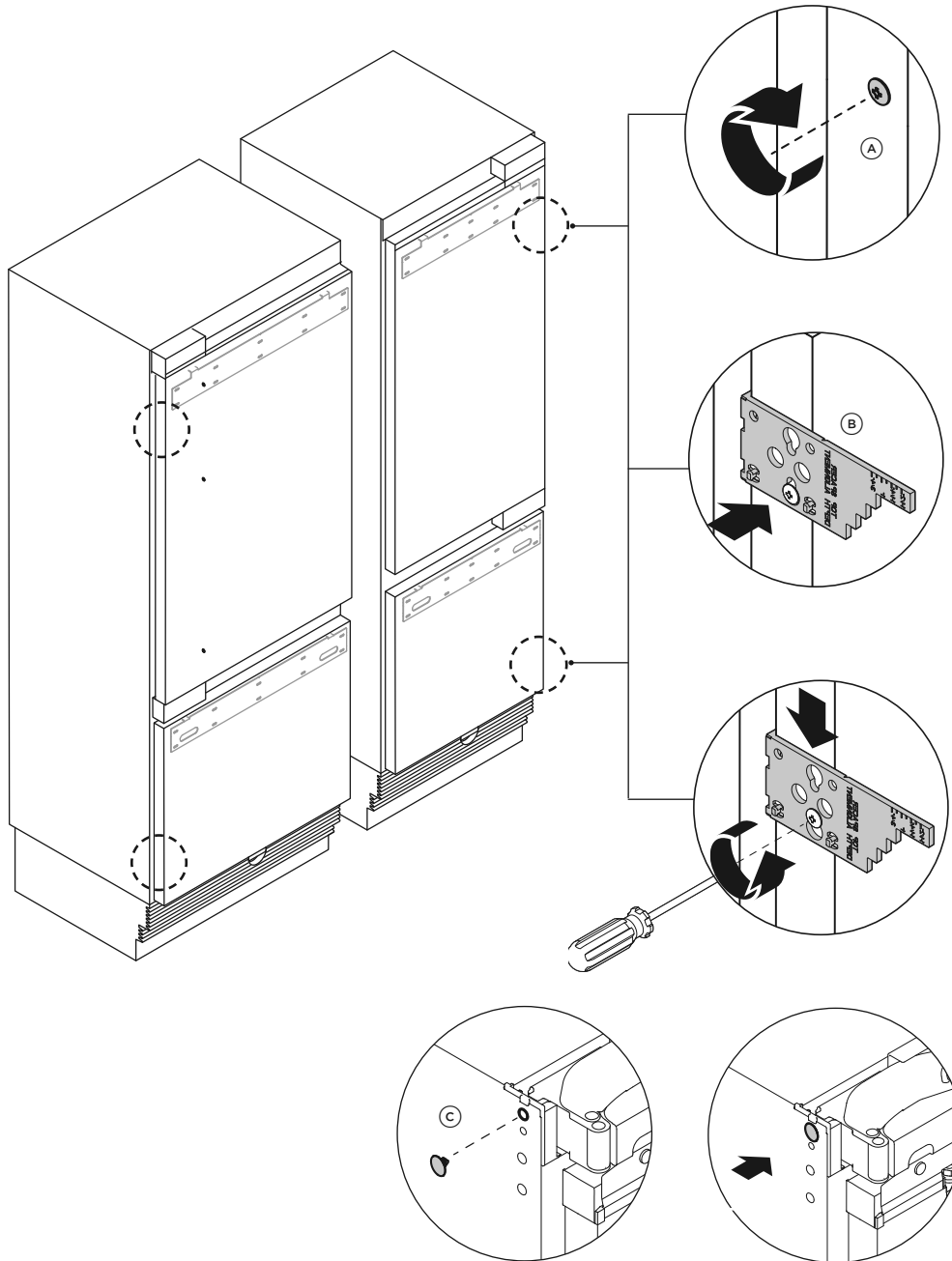
Outils



Tournevis cruciforme

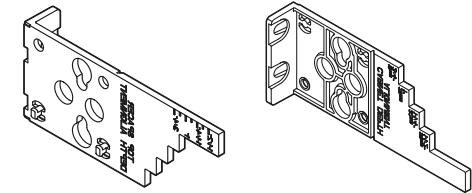


Visseuse électrique (optionnelle)



Fixation des jauges d'alignement de profondeur

- ① Desserrez les vis (**A**) sur les côtés des armoires de la porte et du tiroir de chaque appareil.
- ② Placez les jauges d'alignement (**B**) dans le bon sens sur les vis latérales à gauche et droite.



Gauche

Droite

- ③ Positionnez la jauge d'alignement en insérant la tête de vis au travers de l'encoche en trou de serrure de la jauge.

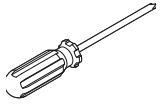
- ④ Poussez la jauge d'alignement vers le bas pour verrouiller la vis en position dans l'encoche en trou de serrure.
- ⑤ Serrez la vis juste assez pour maintenir fermement la jauge.

Les jauges d'alignement sont seulement temporaires; elles doivent être retirées après l'installation.

Fixation des embouts cannelés

- ① Avant de déplacer les appareils dans la cavité, insérez les embouts cannelés (**C**) dans les grands trous sur les côtés supérieurs droit et gauche des deux appareils.
- ② Les embouts protègent la surface intérieure des armoires des dommages pouvant être causés par les vis lors de l'insertion de l'appareil.

Outils



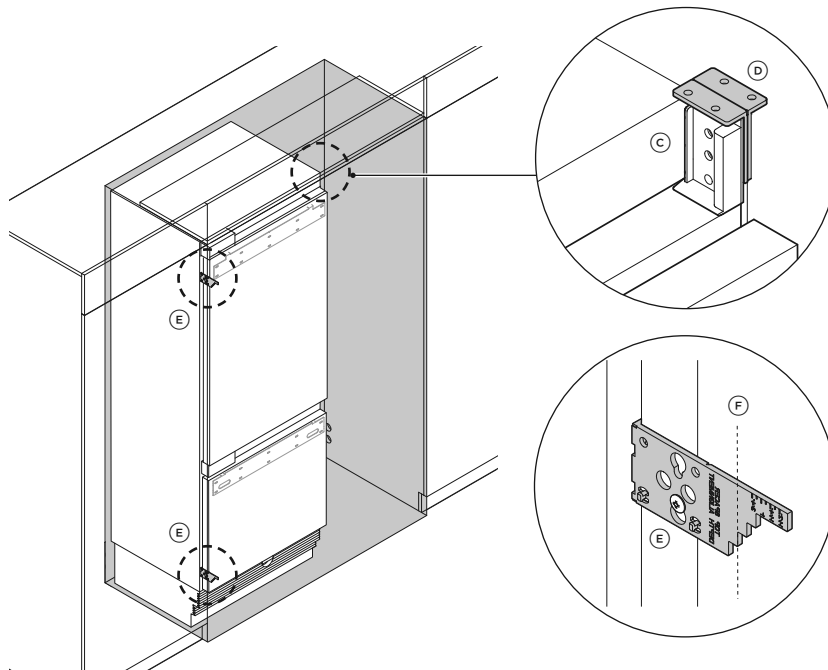
Tournevis cruciforme



Règle



VUE DE PROFIL



Alignement du premier appareil dans les armoires

- ① Déplacez lentement le premier appareil (**A**) sur le côté souhaité dans les armoires jusqu'à ce que le support antibasculement (**B**) chevauche le rebord arrière de l'appareil.
 - Vérifiez que le support chevauche l'appareil d'un minimum de 7 1/16 po (180 mm) pour assurer un maintien stable. Reportez-vous à 'Installation du support antibasculement' pour plus d'informations.

- ② Alignez le capuchon supérieur (**C**) du premier appareil afin qu'il soit au même niveau que le devant de la pièce d'espacement (**D**).

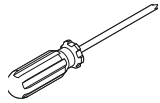
- ③ Sur le côté de la porte adjacent aux armoires, marquez le repère des jauges de profondeur (**E**) qui correspond à l'épaisseur du panneau de porte.
- ④ Alignez la ligne marquée (**F**) au même niveau que la surface avant des armoires adjacentes.

Ensemble de fixations d'installation

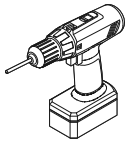


Vis à tête fraisée 8Gx16 (6)

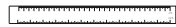
Outils



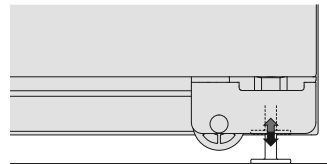
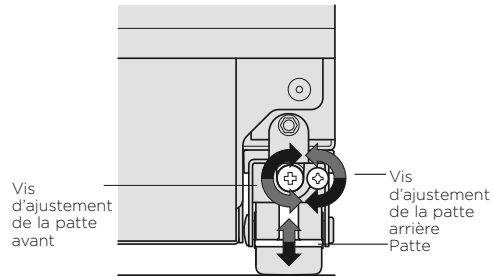
Tournevis cruciforme



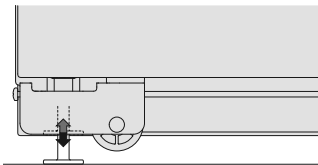
Visseuse électrique (optionnelle)



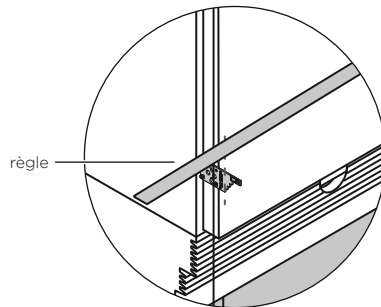
Règle



Patte arrière



Patte avant

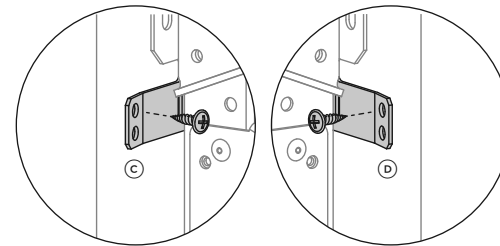
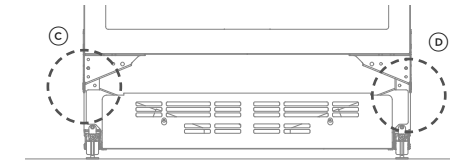
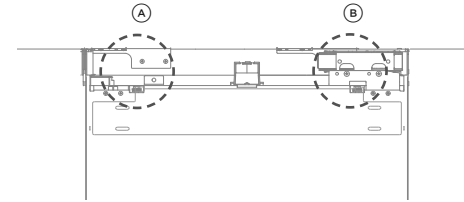
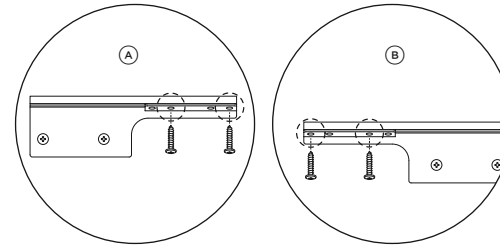


règle

Ajustement de la hauteur du premier appareil dans les armoires

- 1 Tournez les vis d'ajustement avant et arrière dans le sens des aiguilles d'une montre pour augmenter la hauteur de l'appareil, ou dans le sens inverse pour la réduire.
- 2 Tournez les vis d'ajustement avant et arrière dans le sens des aiguilles d'une montre pour allonger les pattes afin qu'elles reposent au sol et que le support supérieur atteigne le plafond de l'alcôve.

- 3 Vérifiez les jauges d'alignement pendant l'ajustement des vis pour maintenir l'alignement de l'appareil.
- 4 En utilisant une règle, vérifiez que les espaces entre l'appareil et la paroi d'armoire sont égaux.

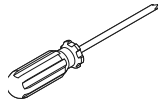


Fixation du premier appareil dans les armoires

- 1 Fixez les supports supérieurs gauche et droit (A, B) à la surface du plafond des armoires à l'aide de vis à tête fraisée 8Gx16.
- 2 Fixez les supports latéraux inférieurs gauche et droit (C, D) à la surface latérale des armoires à l'aide de vis à tête fraisée 8Gx16.

INSTALLATION DOUBLE

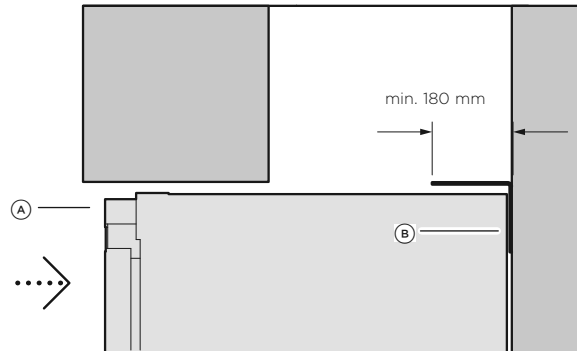
Outils



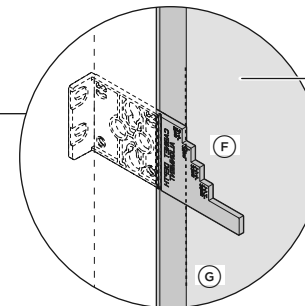
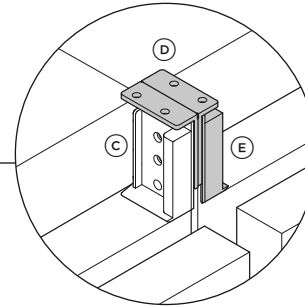
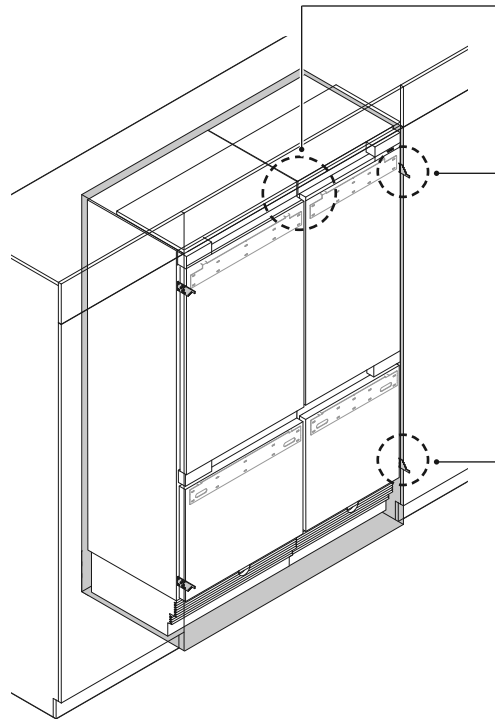
Tournevis cruciforme



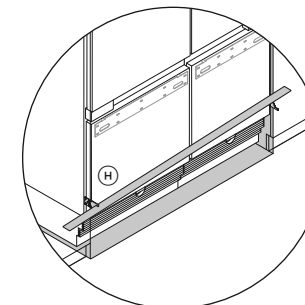
Règle



VUE DE PROFIL



armoires adjacentes

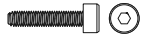


Alignement du deuxième appareil dans les armoires

- ① Poussez le deuxième appareil (**A**) pour le déplacer lentement sur l'autre côté dans les armoires, à côté du premier appareil.
 - Assurez-vous que le support (**B**) chevauche l'appareil d'un minimum de 180 mm pour assurer un maintien stable. Reportez-vous à 'Installation du support antibasculement' pour plus d'informations.
- ② Alignez le capuchon supérieur (**C**) du deuxième appareil afin qu'il soit au même niveau que la pièce d'espacement (**D**) et le capuchon supérieur (**E**) du premier appareil.
- ③ Sur le côté de la porte adjacent aux armoires, marquez le repère de la jauge de profondeur (**F**) qui correspond à l'épaisseur du panneau de porte.
- ④ Alignez la ligne marquée (**G**) au même niveau que la surface avant des armoires adjacentes.
- ⑤ Ajustez la hauteur du deuxième appareil. Reportez-vous à 'Ajustement de la hauteur du premier appareil dans les armoires' (page 59).
- ⑥ En utilisant une règle (**H**), vérifiez que les espaces entre les appareils et les parois des armoires sont égaux.

INSTALLATION DOUBLE

Ensemble de fixation de liaison supérieure



Vis d'assemblage
M5x20 (1)



Rondelle plate M5x16x1
(1)

Ensemble de fixation de liaison inférieure



Vis rondelle M6x16
(1)



Rondelle de plastique
M6x12x3,2 (1)



Écrou hexagonal M6
(1)

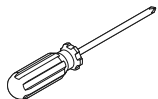


Vis à tête fraisée 8Gx16
(5)

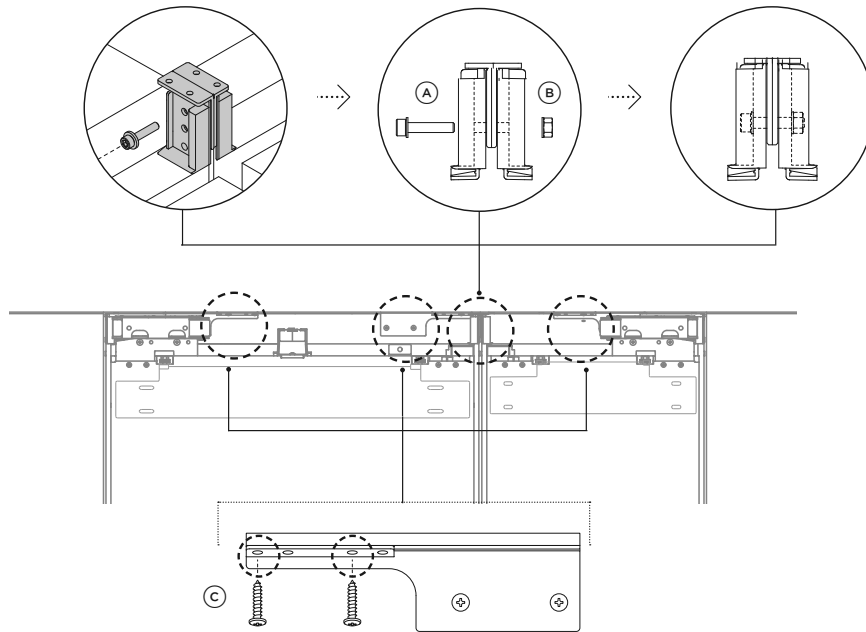
Outils



Clé hexagonale M4



Tournevis cruciforme



Fixation des supports supérieurs

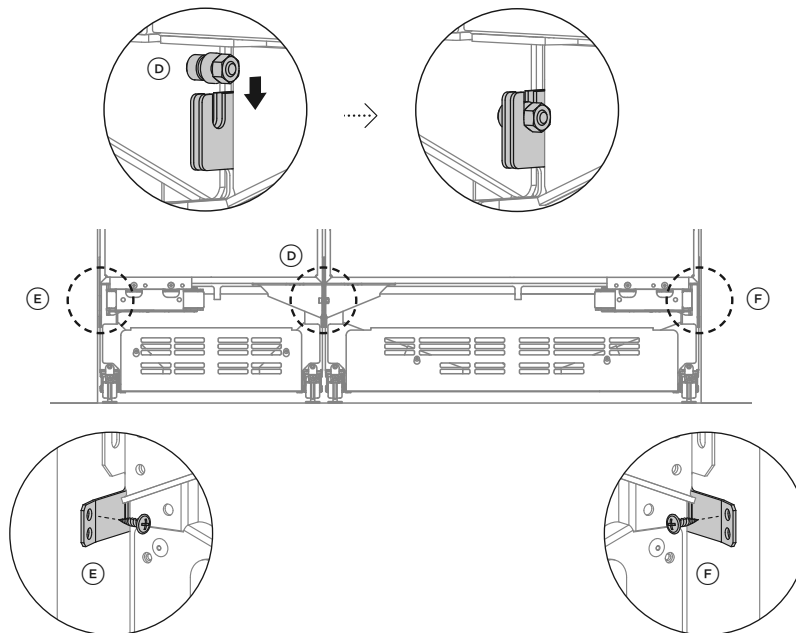
- Fixez les capuchons supérieurs des deux appareils à la pièce d'espacement centrale à l'aide de la vis d'assemblage M5x20 (A) et la rondelle (B).
- Fixez les supports supérieurs à la surface du plafond des armoires à l'aide de vis à tête fraisée 8Gx16. (C)

Fixation des supports inférieurs

- Fixez ensemble les supports de liaison inférieure des deux appareils à l'aide de l'ensemble de fixation de liaison inférieure (D).
- Fixez les supports latéraux inférieurs gauche et droit (E, F) du deuxième appareil aux armoires à l'aide de vis à tête fraisée 8Gx16.

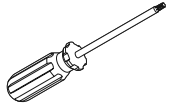
Reportez-vous aux pages suivantes pour terminer votre installation (pages 44-55) :

- Retrait des supports d'accrochage
- Installation des panneaux de porte et tiroir
- Installation du support de blocage
- Installation des supports d'ajustement
- Installation du panneau de plinthe
- Installation des grilles de plinthe
- Installation de la garniture supérieure
- Installation du filtre à eau
- Installation du diviseur de débit d'air
- Installation des garnitures latérales de bâti
- Installation des garnitures latérales de porte et tiroir

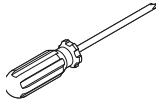


CHANGEMENT DE CÔTÉ DES CHARNIÈRES DE PORTE (ÉTAPE OPTIONNELLE)

Outils



Tournevis à pointe T2 étoilée

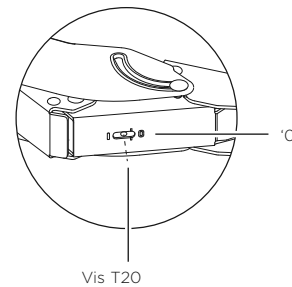
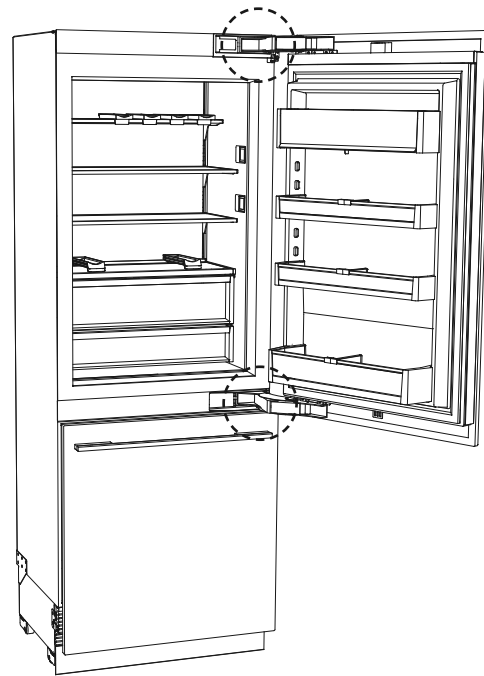


Tournevis cruciforme



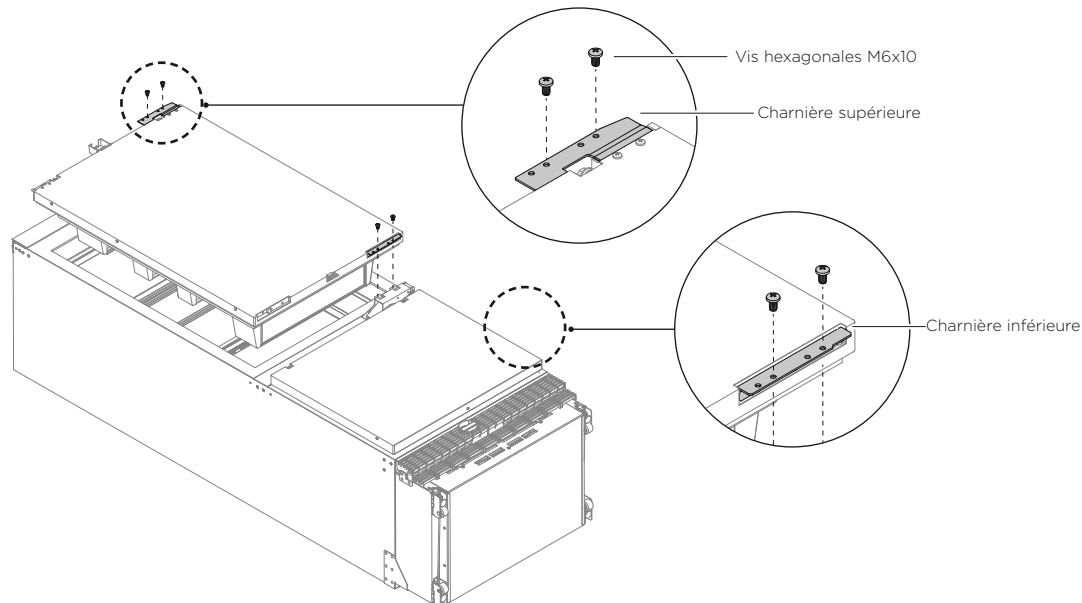
Clé hexagonale

Vous avez la possibilité optionnelle de changer le côté des charnières de porte de votre appareil, du côté droit au côté gauche ou vice versa. Un ensemble de changement de côté des charnières est requis pour cette installation; cet ensemble est vendu séparément.



Assurez-vous de retirer la totalité des tablettes, couvercles et garnitures de l'appareil avant de changer les charnières de côté. Veillez à ne pas endommager la porte.

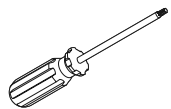
- ① Relâchez le ressort de charnière en tournant la vis T20 dans la charnière à la position '0'.
- ② Effectuez cette étape pour la charnière supérieure et la charnière centrale.



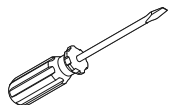
- ③ Fermez la porte et placez l'appareil sur le dos, en le déposant sur la palette.
- ④ Détachez la porte de l'appareil en dévissant les vis hexagonales M6x10 de la charnière supérieure et la charnière centrale.

CHANGEMENT DE CÔTÉ DES CHARNIÈRES DE PORTE (ÉTAPE OPTIONNELLE)

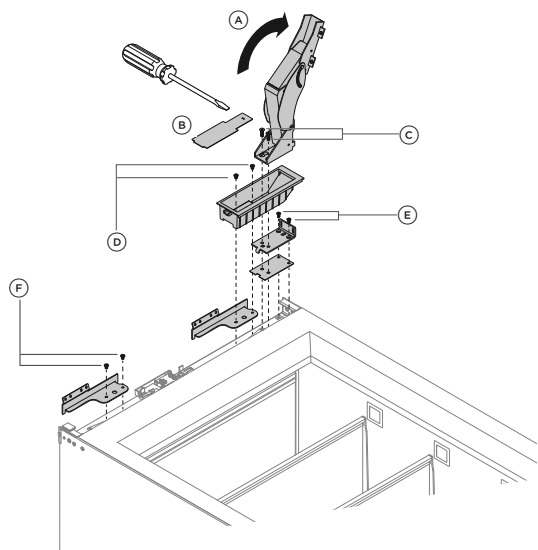
Outils



Tournevis à pointe T2 étoilée

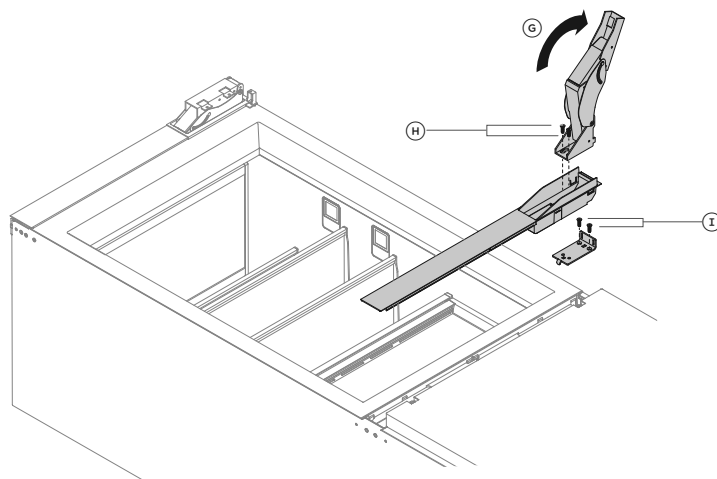


Tournevis à pointe plate



Retrait de la charnière de porte supérieure

- ① Faites pivoter la charnière supérieure (**A**) vers l'extérieur et retirez le couvercle de cavité de la charnière supérieure (**B**) en insérant un tournevis à pointe plate dans la fente du couvercle.
- ② Dévissez les vis à tête fraisée M6x16 (**C**) pour retirer la charnière supérieure, puis mettez-la de côté pour l'utilisation ultérieure.
- ③ Dévissez les vis à tête fraisée M6x16 (**D**) de la cavité de charnière pour retirer la cavité de charnière et le support supérieur pour alcôve.
- ④ Dévissez les vis à tête fraisée M5x12 (**E**) pour retirer le support de la charnière supérieure et la pièce d'espacement.
- ⑤ Sur le côté sans charnière, retirez le support supérieur pour alcôve en dévissant les vis à tête fraisée M6x16 (**F**).

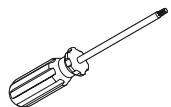


Retrait de la charnière de porte centrale

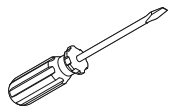
- ① Faites pivoter la charnière centrale (**G**) et dévissez les vis à tête fraisée M6x16 (**H**) pour retirer la charnière centrale, puis mettez-la de côté pour l'utilisation ultérieure.
- ② Dévissez les vis à tête fraisée M5x12 (**I**) pour retirer le support de la charnière supérieure et la pièce d'espacement.

CHANGEMENT DE CÔTÉ DES CHARNIÈRES DE PORTE (ÉTAPE OPTIONNELLE)

Outils

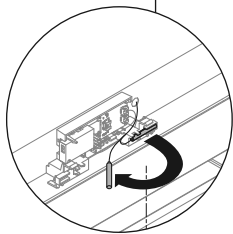
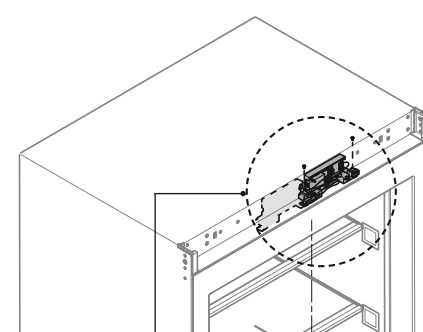
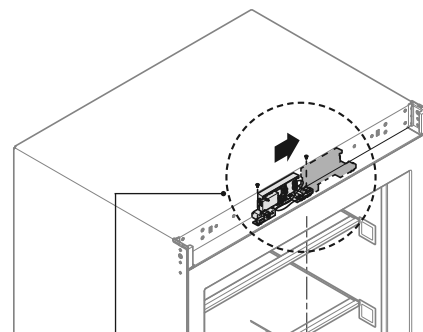
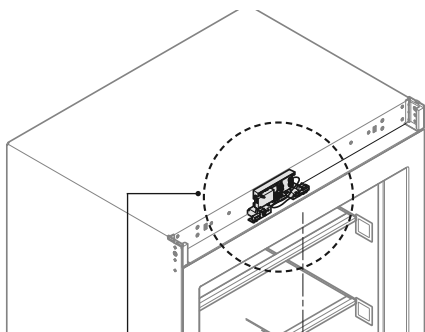


Tournevis à pointe
T20 étoilée

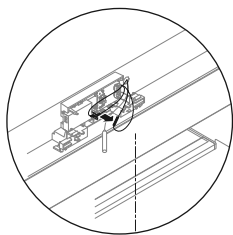


Tournevis à pointe
plate

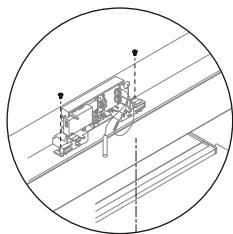
Déplacement du compartiment de capteur



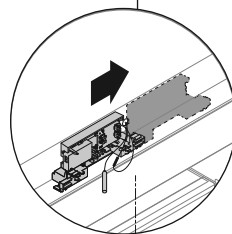
- ① Dégrafez le capteur Hall du compartiment.



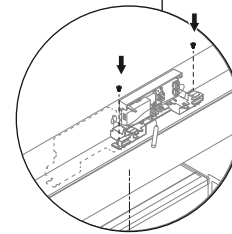
- ② Libérez le faisceau de la plaquette d'interception en le décrochant du compartiment de capteur.



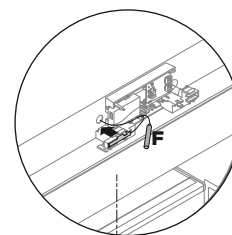
- ③ Retirez les vis n° 8x16 (2x) du compartiment de capteur.



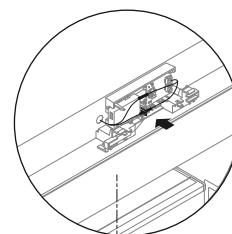
- ④ Déplacez le compartiment de capteur afin d'aligner le clip opposé du capteur Hall avec le centre du bâti.



- ⑤ Réinstallez le compartiment de capteur en utilisant des vis n° 8x16 (2x) dans les trous pré-perçés du panneau supérieur du bâti.



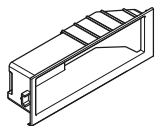
- ⑥ Enclenchez le capteur Hall dans le compartiment de capteur, dans la cavité la plus proche de la ligne centrale du bâti.



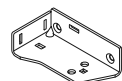
- ⑦ Enfoncez le faisceau de la plaquette d'interception dans les fourches du compartiment de capteur.

CHANGEMENT DE CÔTÉ DES CHARNIÈRES DE PORTE (ÉTAPE OPTIONNELLE)

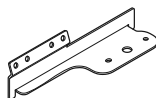
Assemblage de changement de côté des charnières



Cavité de charnière (droite ou gauche) supérieure (1)

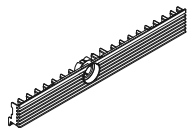


Support de charnière (droite ou gauche) inférieure (1)

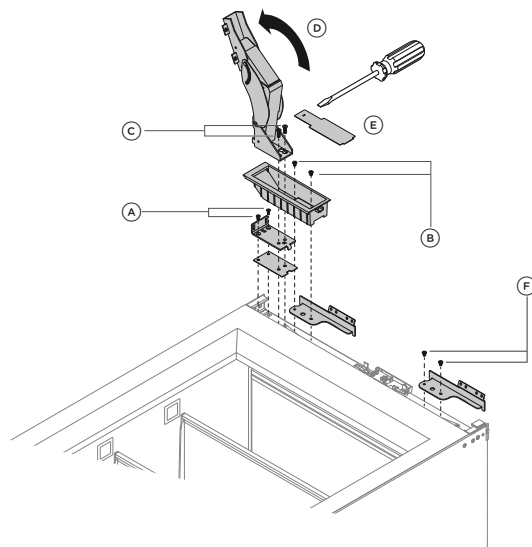


Support adaptateur supérieur K05 (1)

Assemblage de grille supérieure

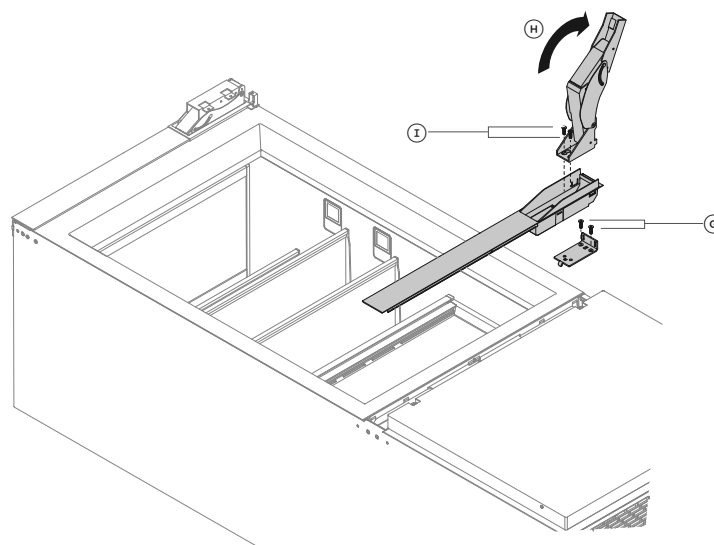


Grille supérieure (fixée) (1)



Réinstallation de la charnière supérieure

- ① Réinstallez le support de la charnière supérieure et la pièce d'espacement avec les vis à tête fraisée M5x12 (A) sur le nouveau côté des charnières, de l'autre côté de l'appareil.
- ② Installez la nouvelle cavité de charnière et le nouveau support supérieur pour alcôve sur le nouveau côté des charnières en utilisant deux (2x) vis à tête fraisée M6x16 (B).
 - La nouvelle cavité de charnière et le nouveau support supérieur pour alcôve sont fournis dans l'ensemble de charnière.
- ③ Installez la nouvelle charnière dans la nouvelle cavité de charnière en vissant les vis à tête fraisée M6x16 (2x) (C).
- ④ Ouvrez la charnière (D) et réinstallez le couvercle (E) sur la cavité de la charnière supérieure.
- ⑤ Installez un nouveau support supérieur pour alcôve sur le nouveau côté sans charnière (F).

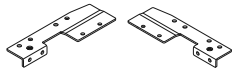


Réinstallation de la charnière de porte centrale

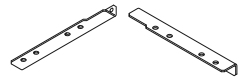
- ① Réinstallez le support de la charnière centrale et la pièce d'espacement avec les vis à tête fraisée M5x12 (G).
- ② Ouvrez la charnière centrale (H) et réinstallez la charnière avec les vis à tête fraisée M6x16 (I).

CHANGEMENT DE CÔTÉ DES CHARNIÈRES DE PORTE (ÉTAPE OPTIONNELLE)

Assemblage de changement de côté des charnières

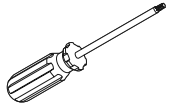


Support adaptateur supérieur K05 D/G (1)

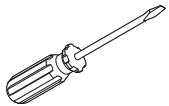


Support adaptateur inférieur K05 D/G (1)

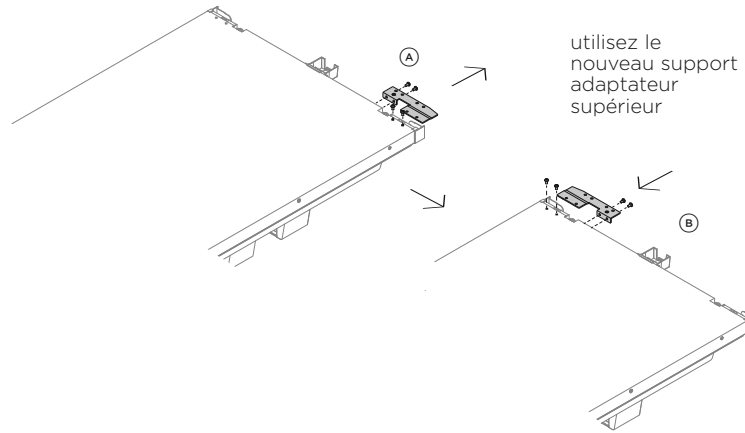
Outils



Tournevis à pointe T2 étoilée

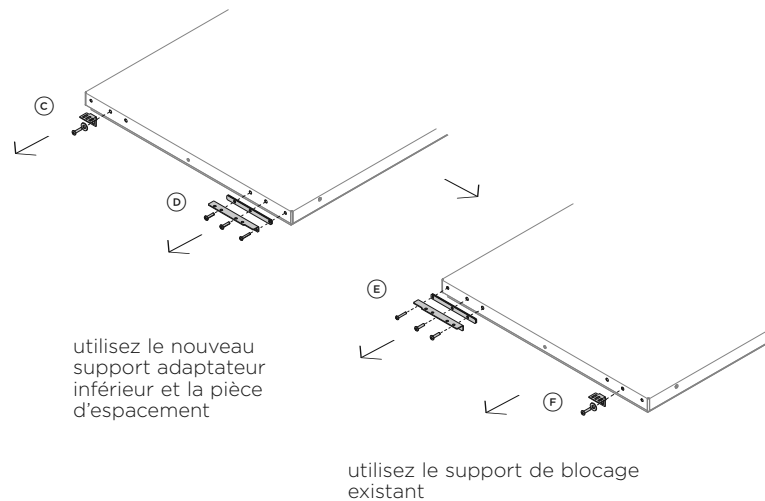


Tournevis à pointe plate



Changement de support de porte supérieur

- ① Dévissez les vis M5x10 (4x) pour retirer le support adaptateur supérieur du haut de la porte (**A**).
- ② Installez le nouveau support adaptateur supérieur de l'autre côté du haut de la porte, à l'aide de vis M5x10 (4x) (**B**).

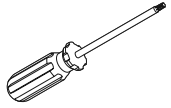


Changement de support de porte inférieur

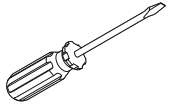
- ① Retirez le support de blocage du panneau de porte et la rondelle du bas de la porte en dévissant la vis M6x25 (1x) (**C**).
- ② Retirez le support adaptateur inférieur et la pièce d'espacement du bas de la porte en dévissant les vis M6x25 (2x) et la vis M5x30 (1x) (**D**).
- ③ Installez le nouveau support adaptateur inférieur et la pièce d'espacement existante de l'autre côté de la porte, à l'aide de vis M6x25 (2x) et d'une vis M5x30 (1x) (**E**).
- ④ Installez le support de blocage du panneau de porte existant et la rondelle de l'autre côté de la porte, à l'aide d'une vis M6x25 (1x) (**F**).

CHANGEMENT DE CÔTÉ DES CHARNIÈRES DE PORTE (ÉTAPE OPTIONNELLE)

Outils



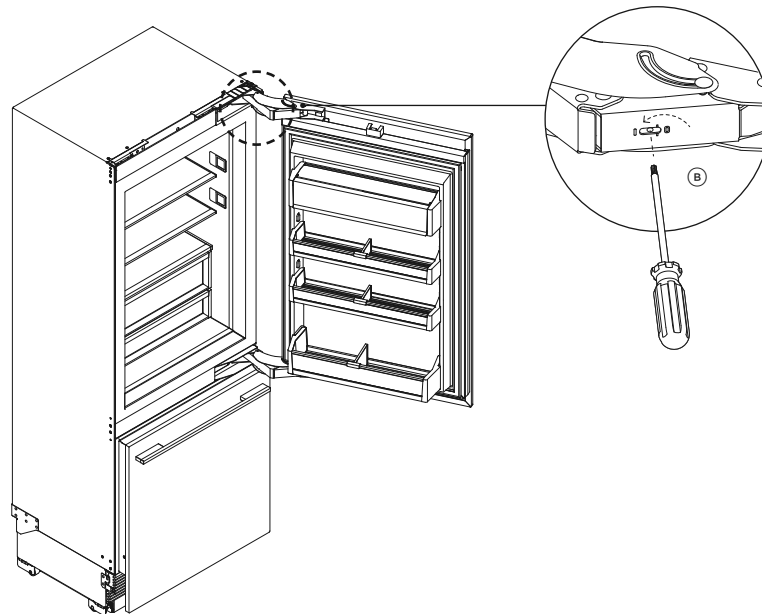
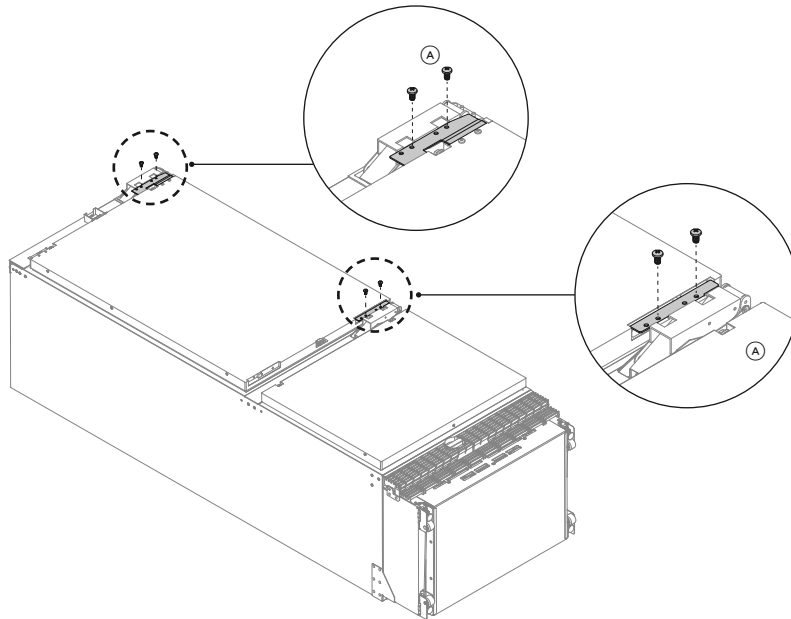
Tournevis à pointe T2 étoilée



Tournevis à pointe plate



Clé hexagonale



Réinstallation de la porte

① Fixez la porte aux charnières supérieure et centrale de l'appareil en utilisant des vis hexagonales M6x10 (4x). **(A)**

② Activez le ressort de charnière en tournant les vis T20 étoilées à la position I. **(B)**

③ Ramenez l'appareil en position verticale, puis réinstallez tous les couvercles et toutes les garnitures.



À ÊTRE REMPLIE PAR L'INSTALLATEUR

Tous les modèles

- Vérifiez que toutes les pièces sont installées.
- Assurez-vous que l'appareil est de niveau.
- Assurez-vous que l'appareil est fixé solidement aux armoires à l'aide du support antibasculement et des raccords fournis.
- Assurez-vous que la porte peut s'ouvrir et se fermer facilement, sans aucune résistance causée par les armoires à proximité.
- Assurez-vous que la tige de limitation de charnière est installée pour une rotation de porte à 90°.
- Assurez-vous de retirer tous les matériaux d'emballage internes et externes de l'appareil avant l'utilisation.
- Assurez-vous de noter et conserver le mot de passe Wi-Fi et les numéros de série et modèle de votre appareil.

Remplir et conserver pour référence ultérieure :

Modèle _____

N° de série _____

Date d'achat _____

Acheteur _____

Adresse du détaillant _____

Nom de l'installateur _____

Signature de l'installateur _____

Entreprise d'installation _____

Date de l'installation _____

FISHERPAYKEL.COM

© Fisher & Paykel Appliances 2020. Tous droits réservés.

Les caractéristiques de l'appareil présentées dans ce document s'appliquent aux modèles et appareils spécifiques qui y sont décrits à la date de publication. Dans le cadre de notre politique d'amélioration en permanence de nos appareils, ces caractéristiques peuvent être modifiées à tout moment. Nous vous recommandons de vérifier auprès de votre détaillant que ce document décrit l'appareil actuellement disponible.

US CA

863026B 03.20