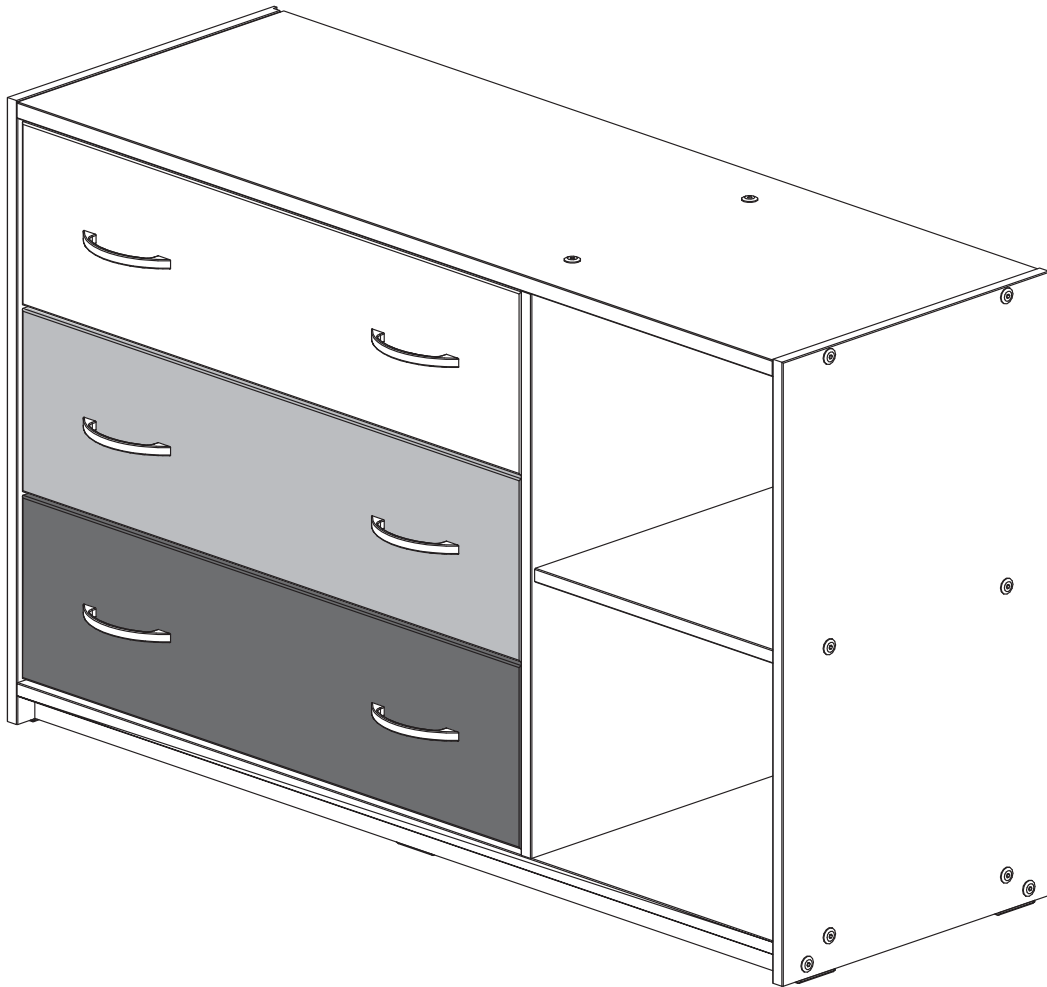


Fort Worth, Texas 76140

**ASSEMBLY INSTRUCTIONS**

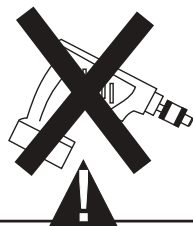
**5000 - 3 DRAWERS CHEST**



Thank you for purchasing this quality product. Be sure to check all packing material carefully for small parts which may have come loose inside the carton during shipment. Separate identify and count all parts and hardware.

Compare with the parts list to be sure all parts are present.

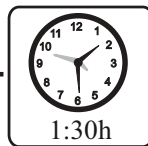
**"DO NOT TIGHTEN SCREWS UNTIL COMPLETELY ASSEMBLED"**



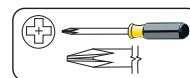
\* Use of power tool to assemble this product will invalidate any claim and damage this product making unsafe !!!  
\* Please assemble on a clean soft surface to avoid damage.



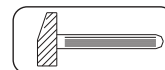
+



Tools Required



(Not included)

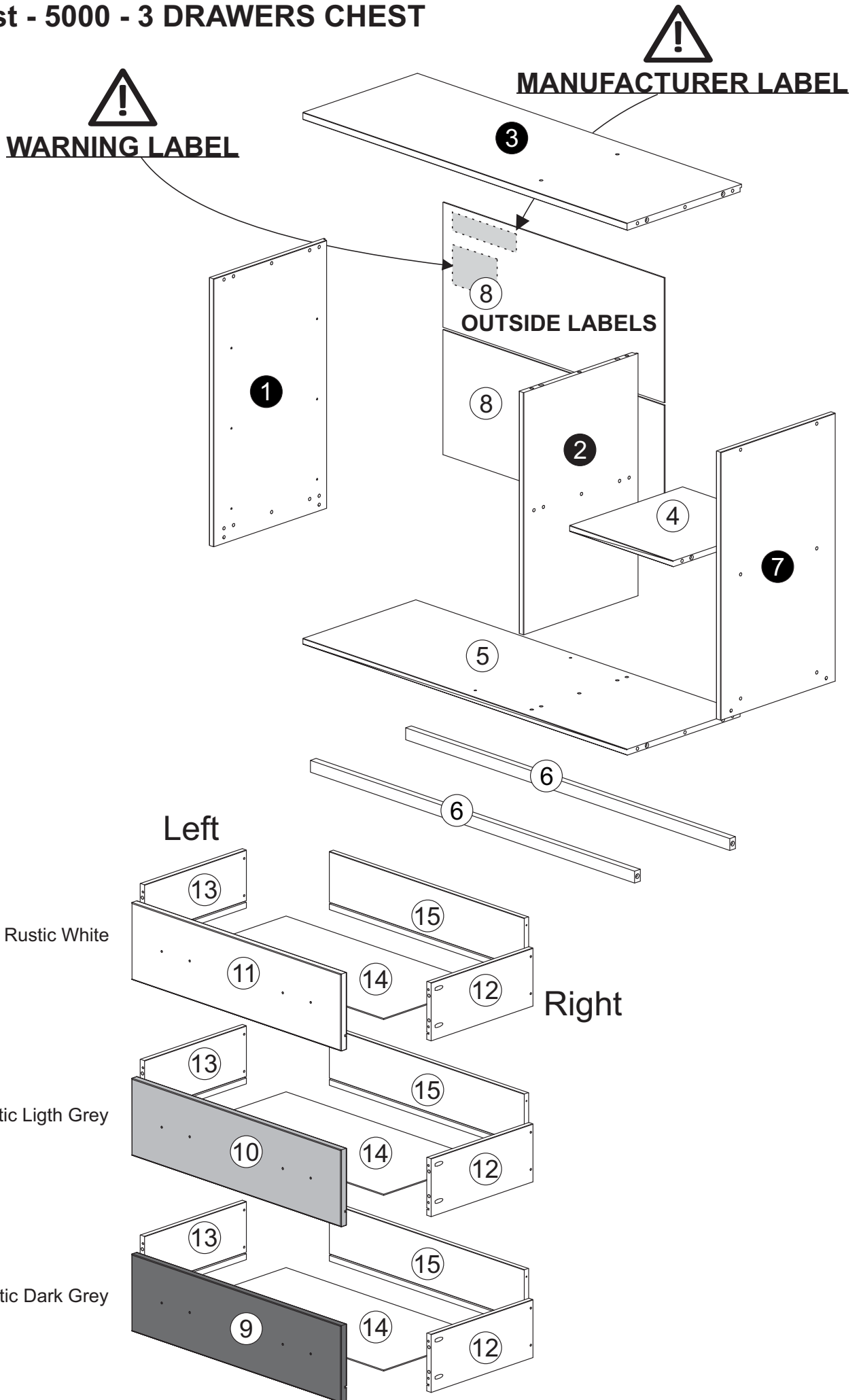


(Not included)

**IMPORTANT:**

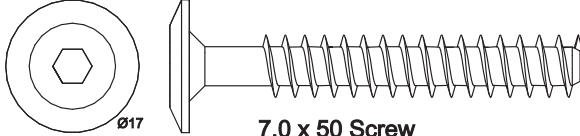
**PLEASE READ INSTRUCTION BEFORE STARTING THE ASSEMBLY**

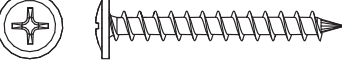
# Part List - 5000 - 3 DRAWERS CHEST




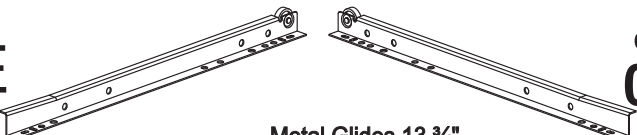
# Identifying the Hardware-Identify the hardware using the illustrations below.

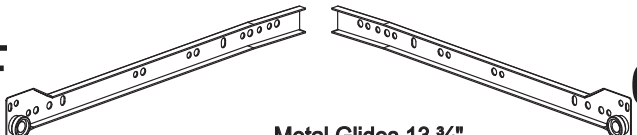
**A**  Qty **36**  
8 x 30 Wood Dowel

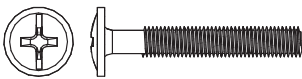
**B**  Qty **20**  
7,0 x 50 Screw

**C**  Qty **26**  
1 3/16" Screw

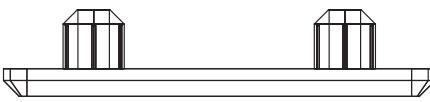
**D**  Qty **24**  
3/8" Screw

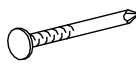
**E**  Qty **03**  
Metal Glides 13 3/4"

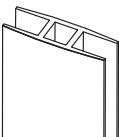
**F**  Qty **03**  
Metal Glides 13 3/4"

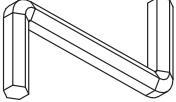
**G**  Qty **12**  
M4,0 x 25 Screw

**H**  Qty **06**  
Knob

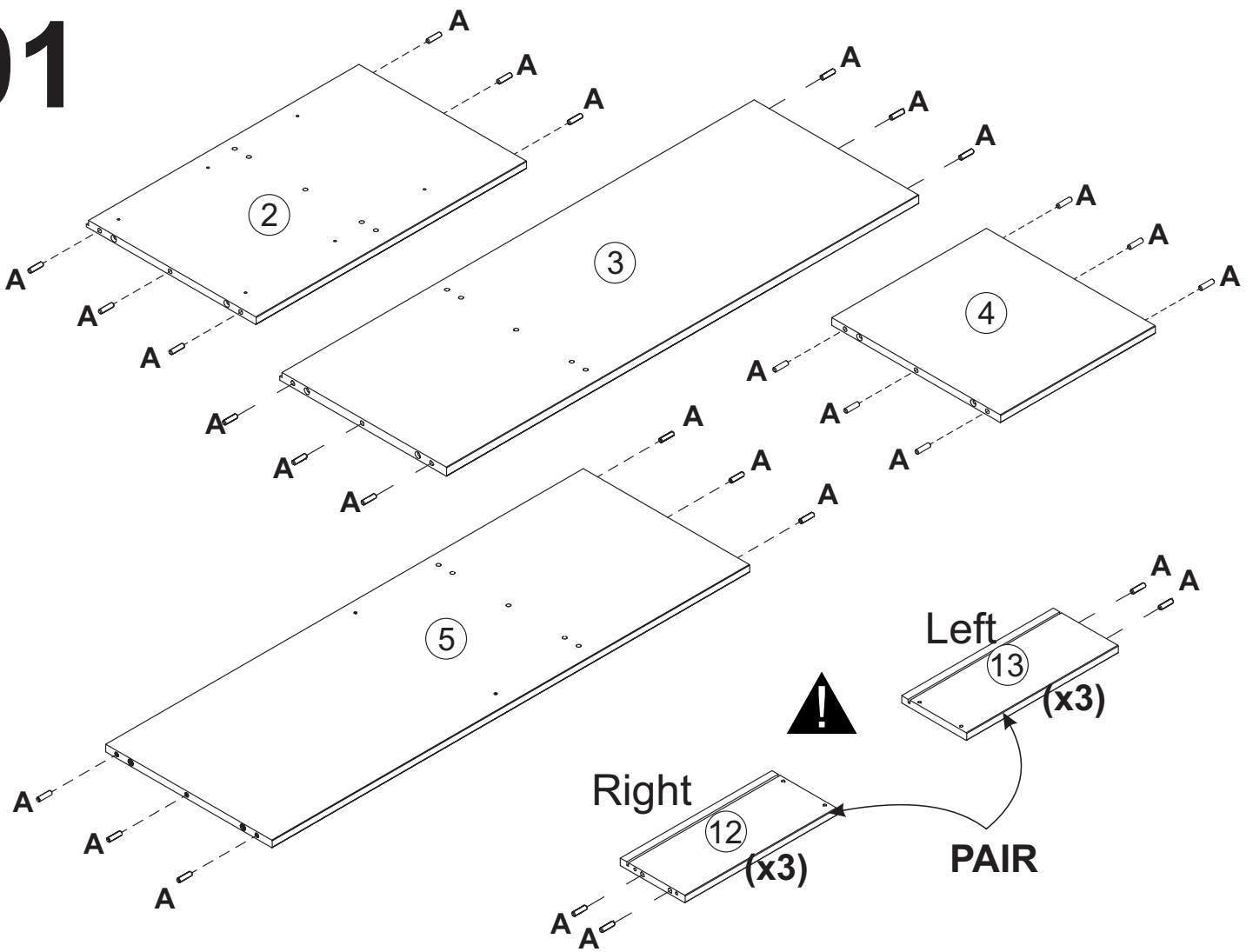
**I**  Qty **06**  
Plastic Foot

**J**  Qty **26**  
10 x 10

**K**  Qty **01**

**L**  Qty **01**  
Hex Screwdriver

# 01

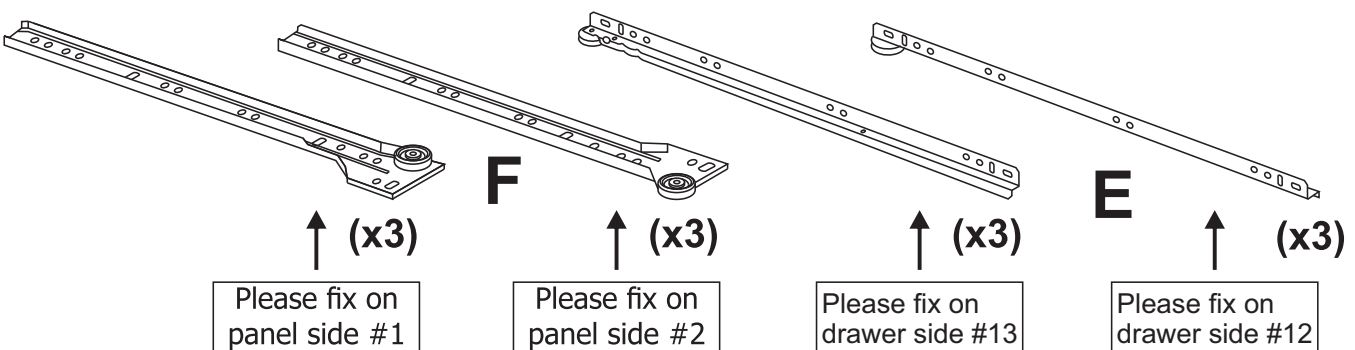


**A**  Qty **36**  
8 x 30 Wood Dowel

## SET OF METAL GLIDES FOR THE DRAWERS

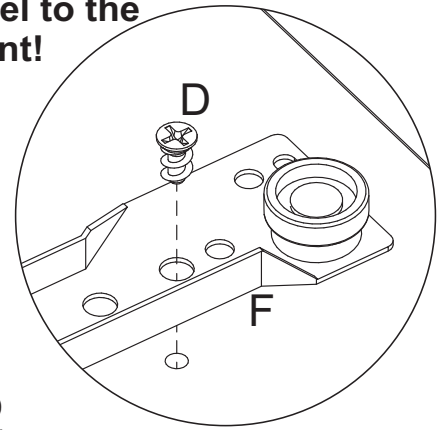
The metal glides hardware are all in one packed. Please separate the left and right pieces like a pair.

- The glides **#F** are used on chest panel side and has a left and middle pieces.
- The glides **#E** are used on drawers side, also has a left and right pieces.

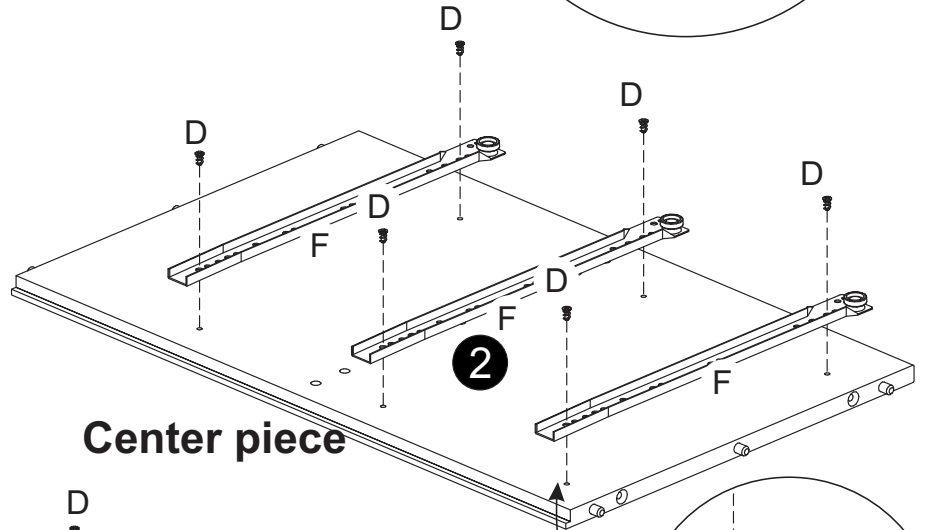
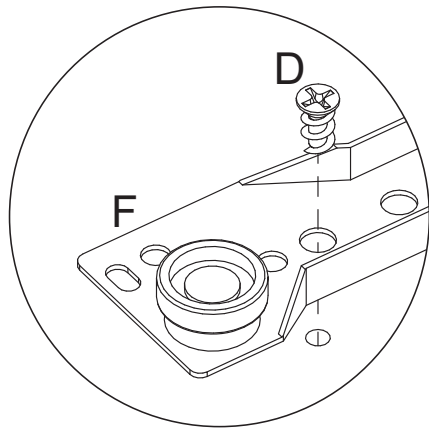




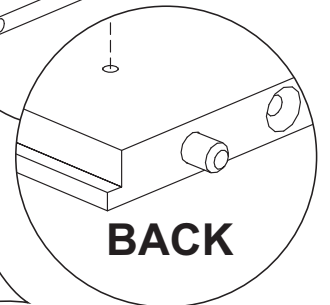
The wheel to the front!



The wheel to the front!

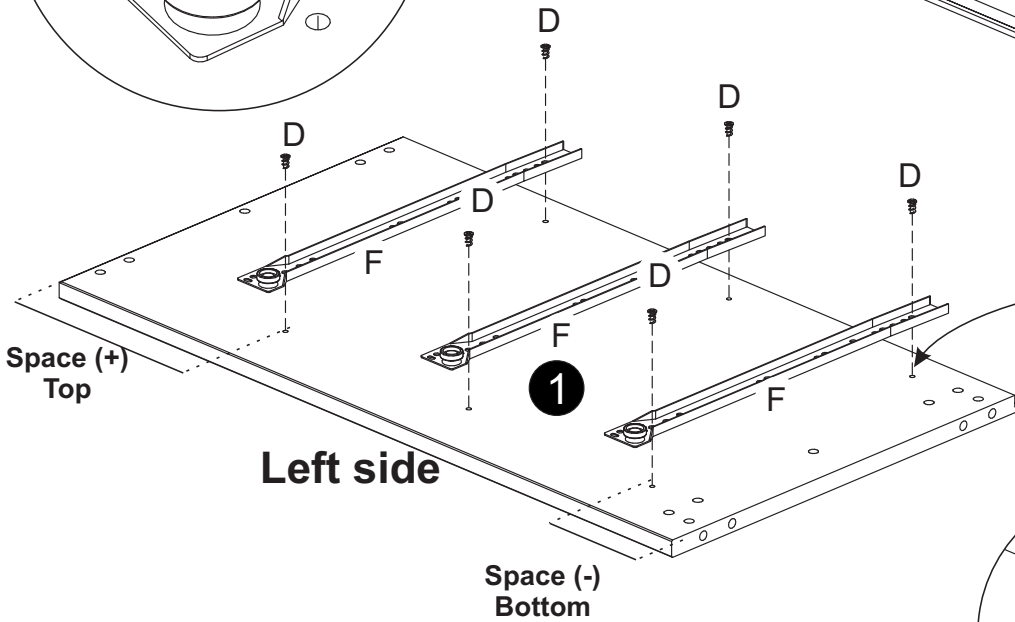


Center piece



BACK

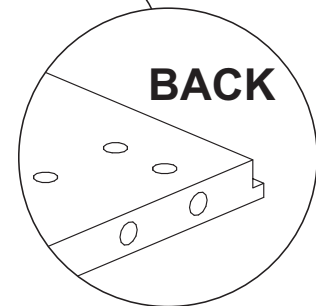
PRE DRILLED HOLES



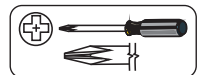
Space (+)  
Top

Left side

Space (-)  
Bottom



BACK



F



Metal Glides 13 3/4"

Qty  
**03**

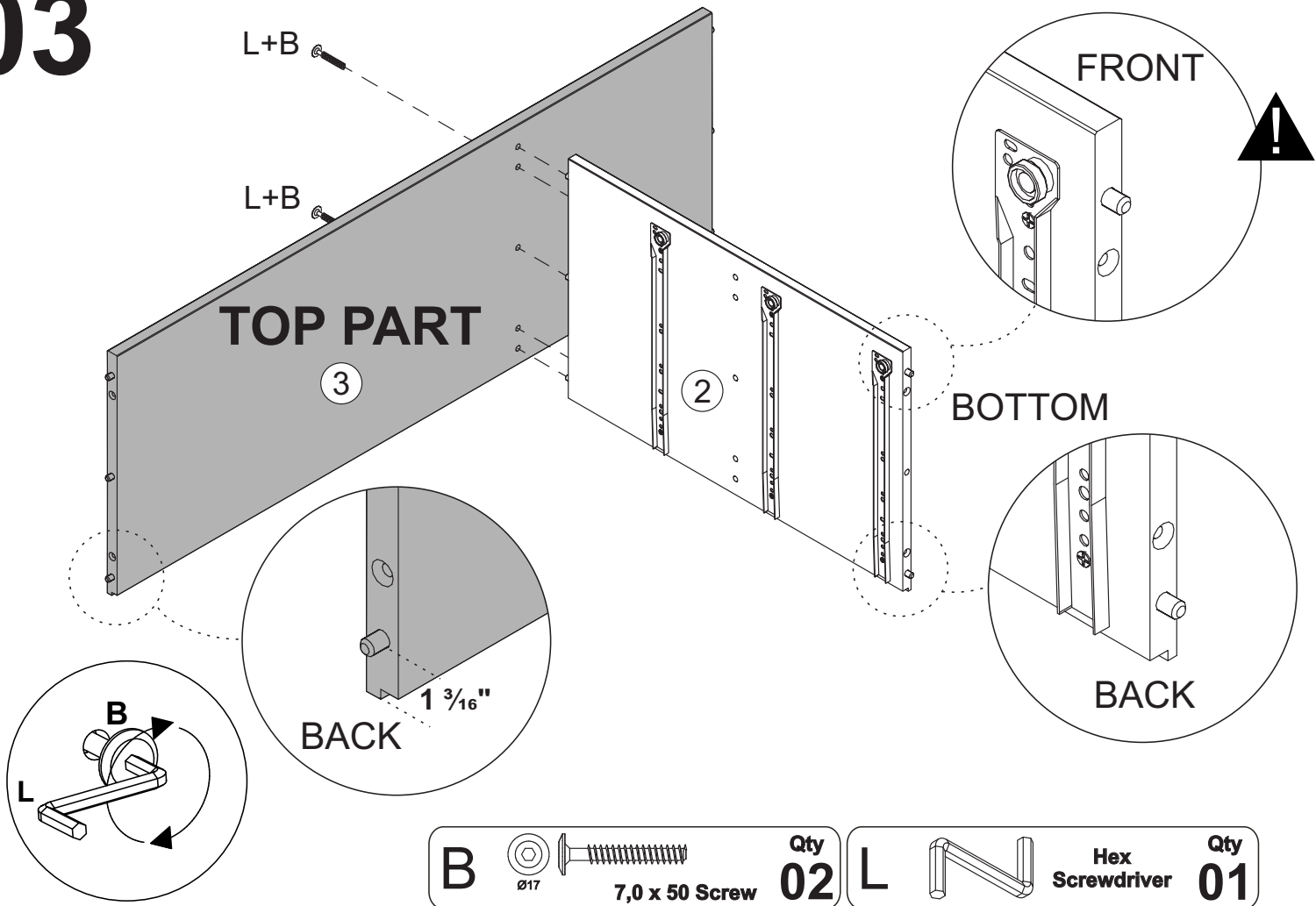
D



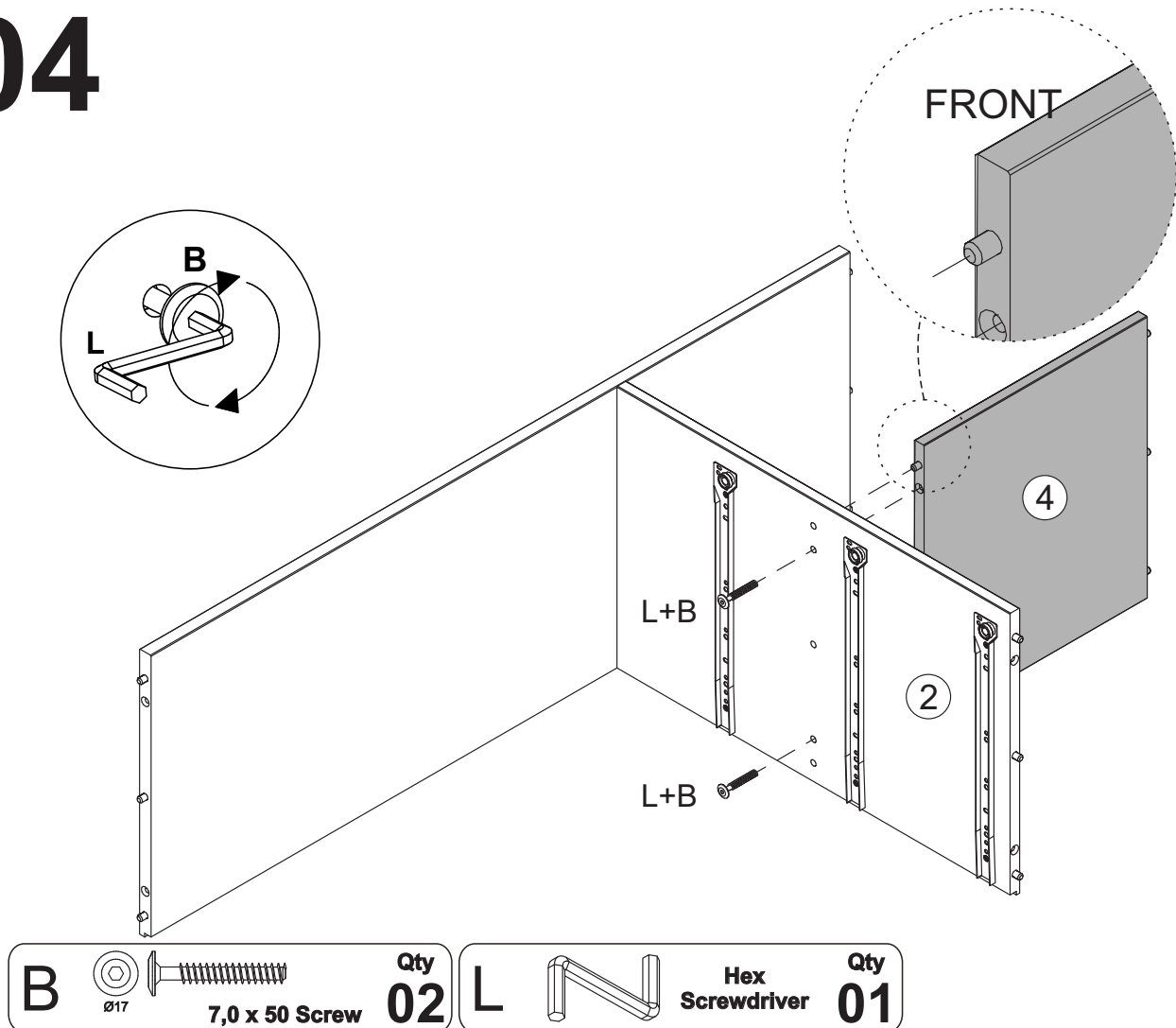
6,0 x 10 Screw

Qty  
**12**

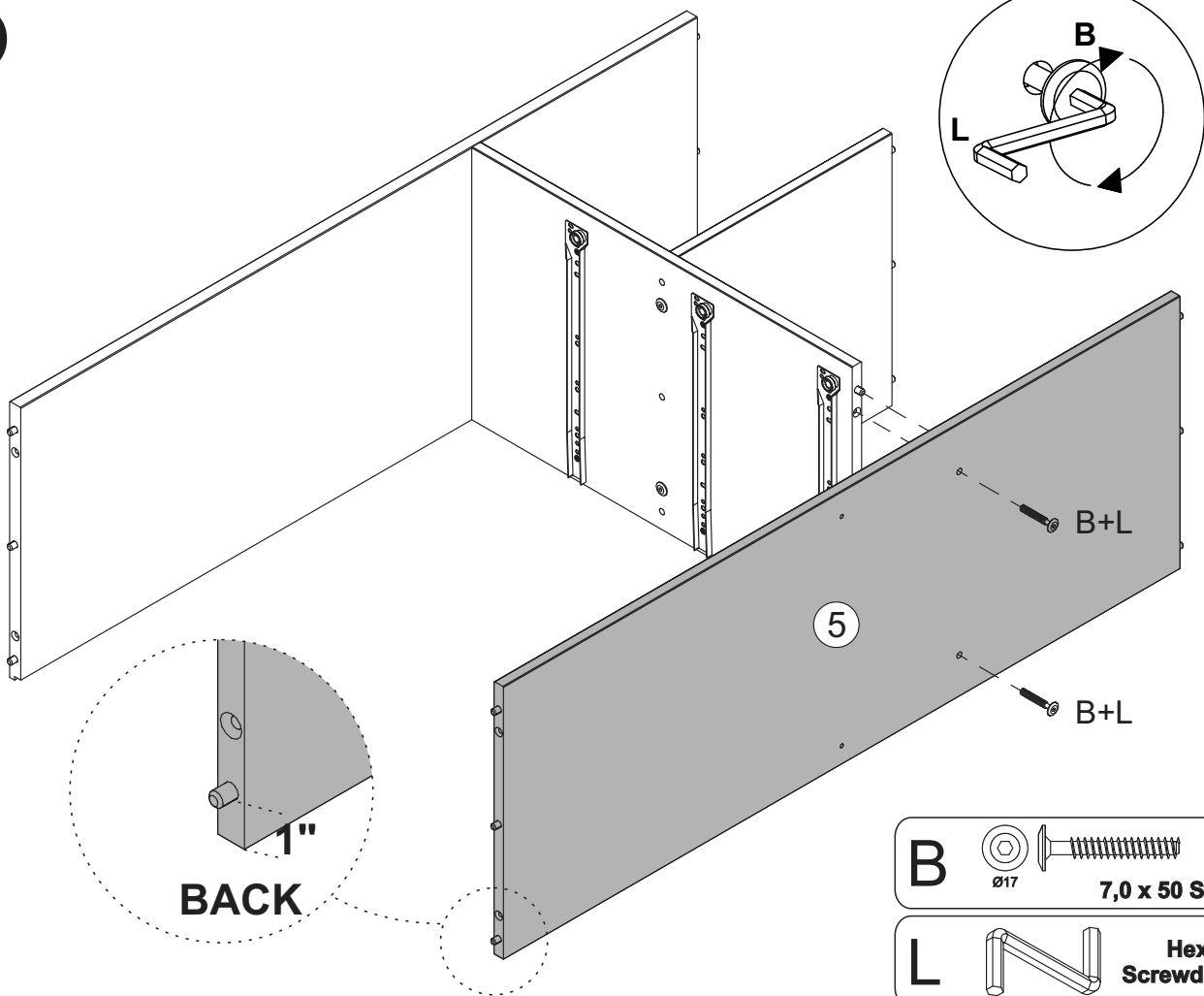
# 03



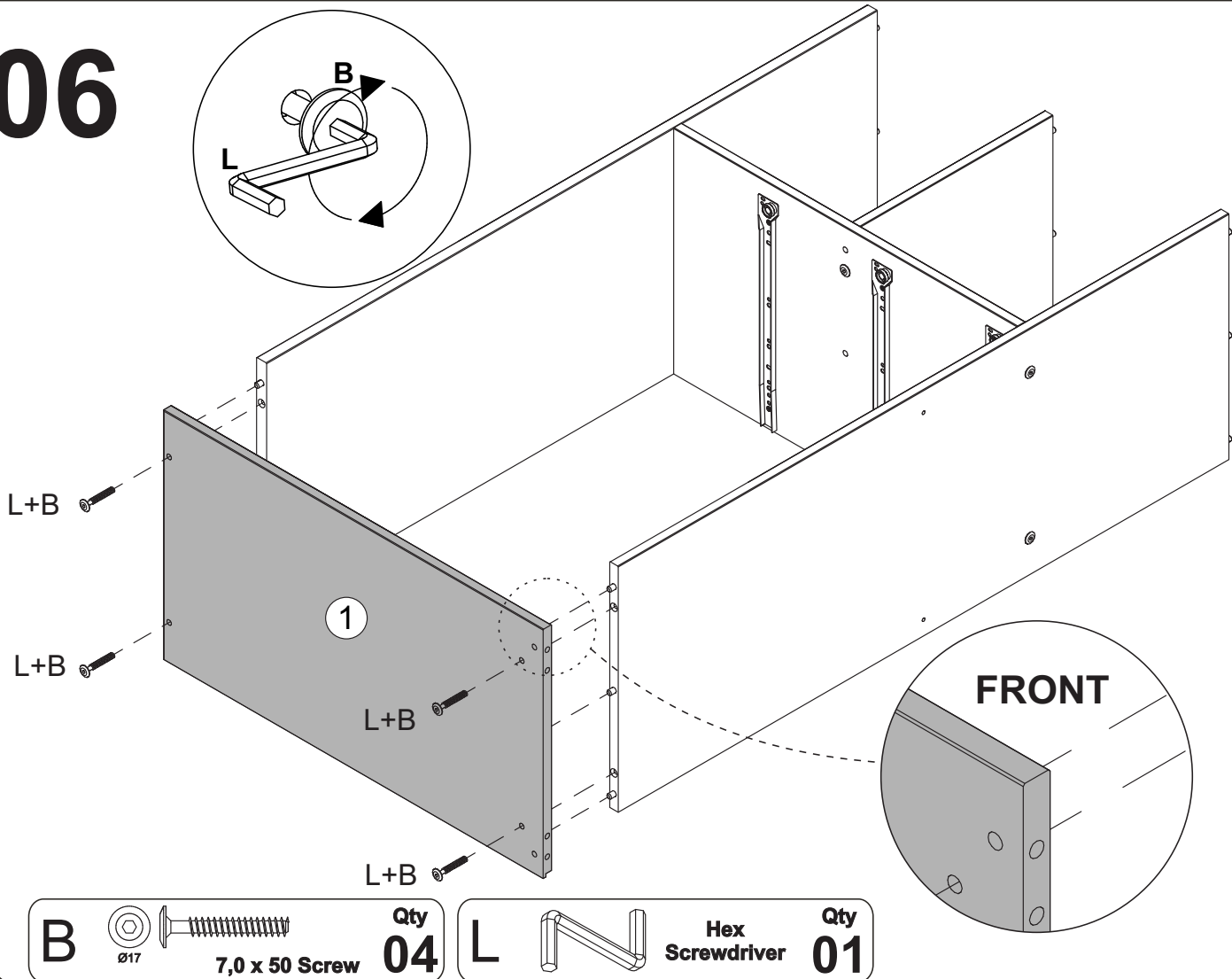
# 04



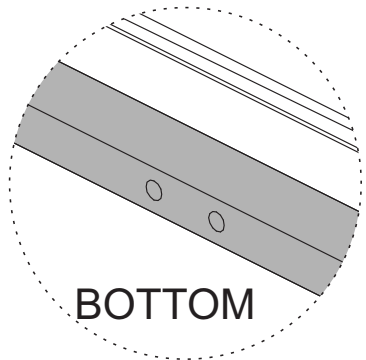
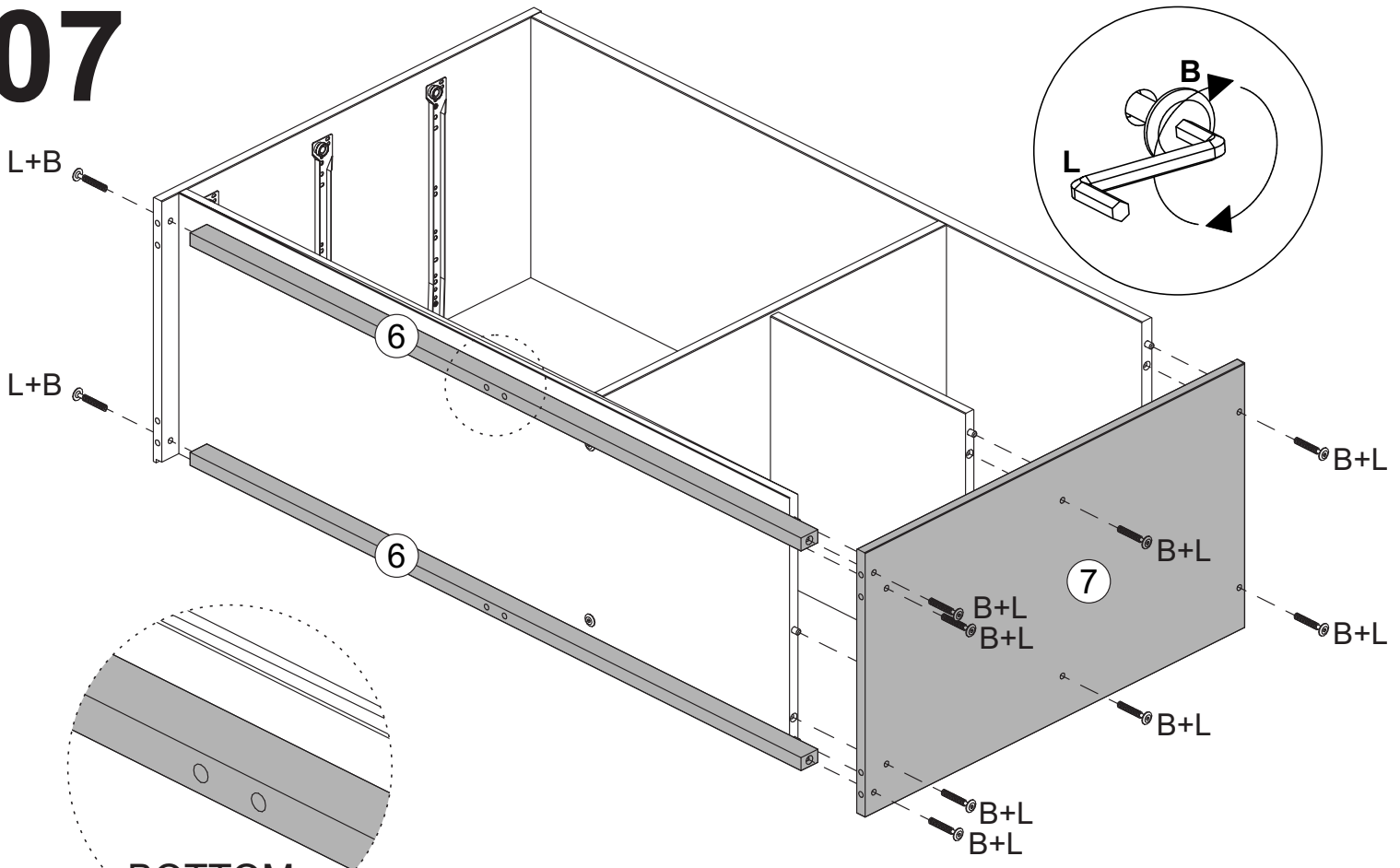
# 05




# 06



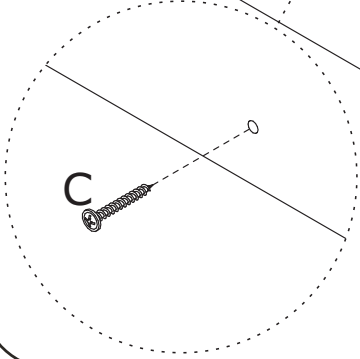
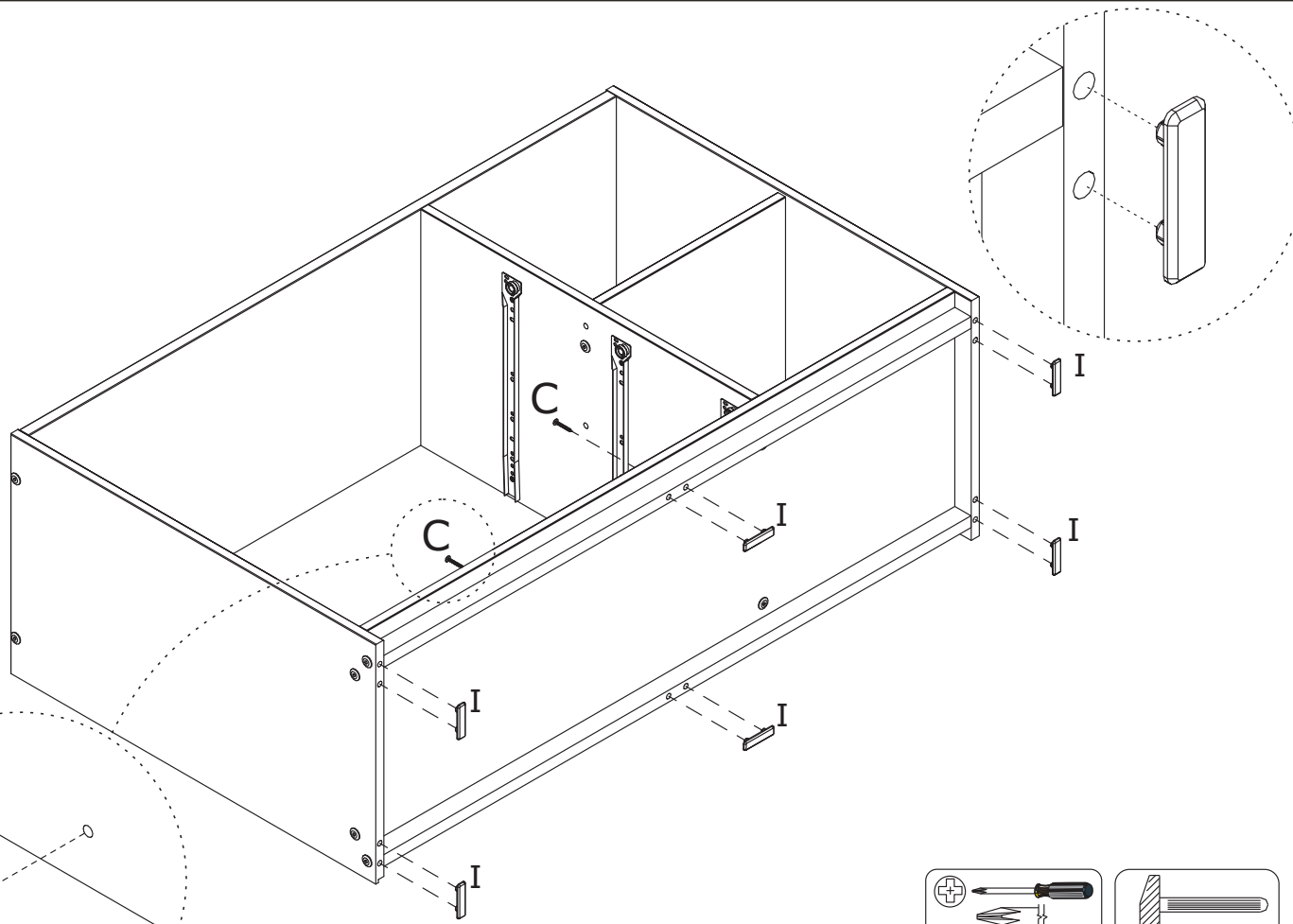
# 07




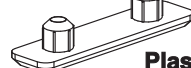
**B**   $\varnothing 17$  7,0 x 50 Screw Qty **10**

**L**  Hex Screwdriver Qty **01**

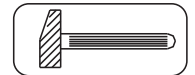
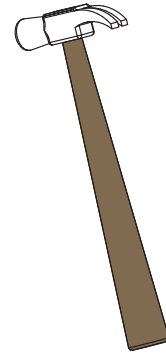
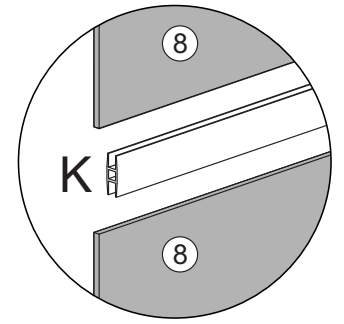
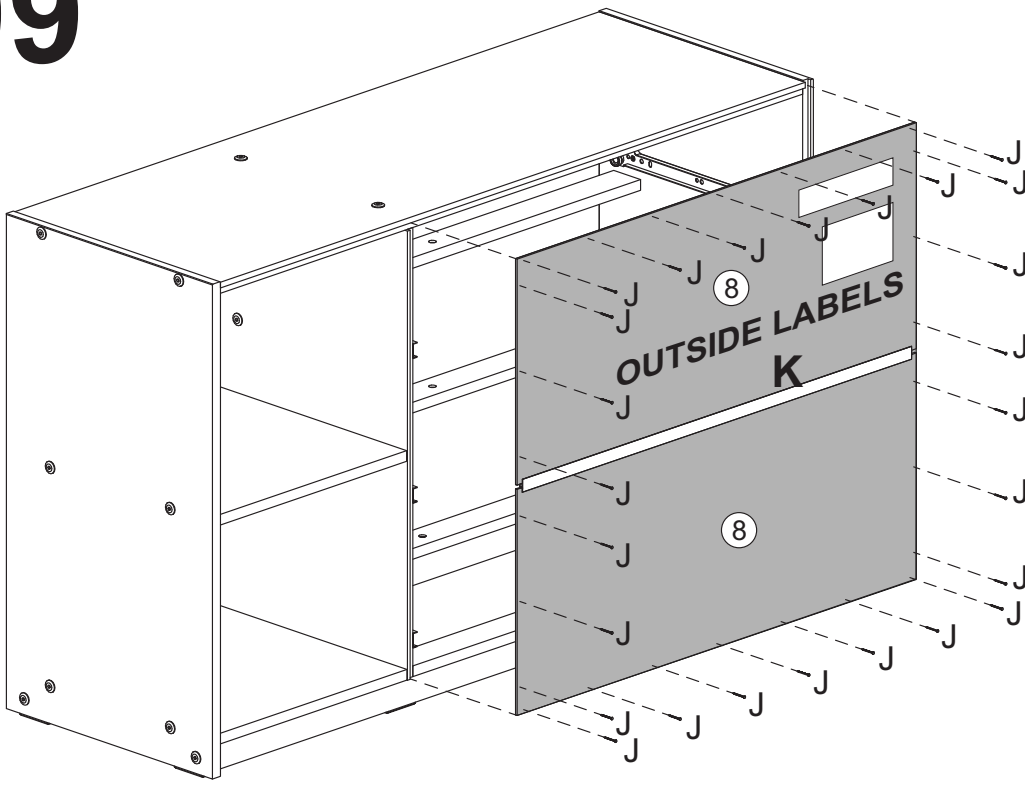
# 08




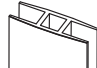
**C**  4,0 x 30 Screw Qty **02**

**I**  Plastic Foot Qty **06**

# 09



**J**  10 x 10 Qty **26**

**K**  Qty **01**

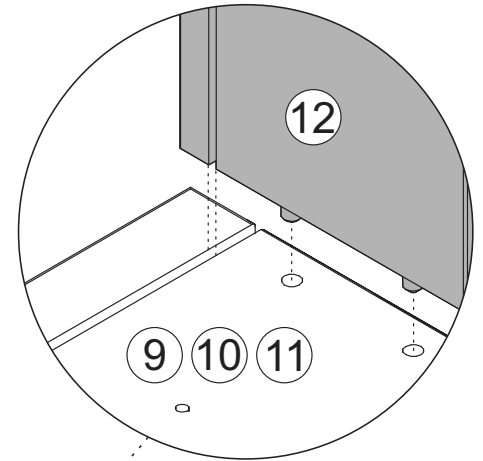
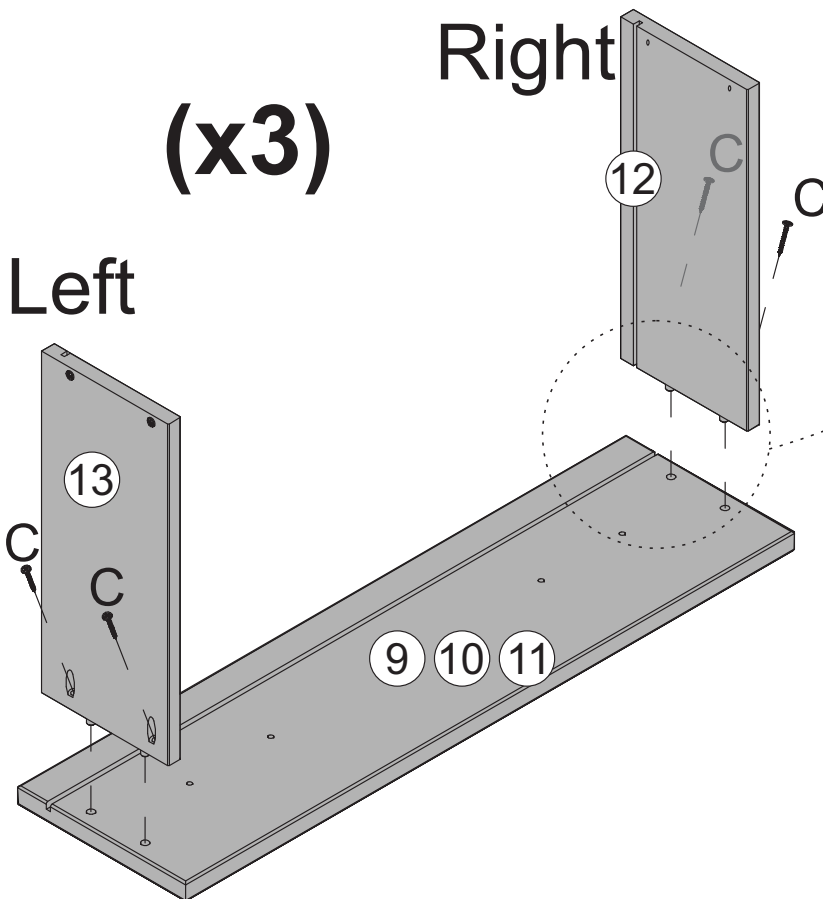
# 10

## DRAWERS

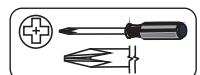
(x3)


Left

Right

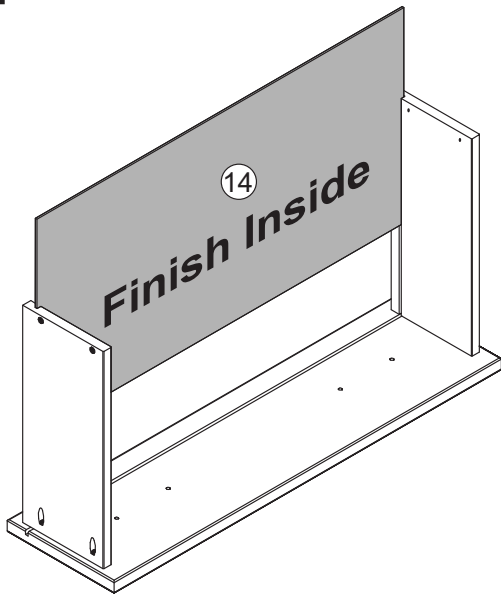


#9 Rustic Dark Grey  
#10 Rustic Light Grey  
#11 Rustic White

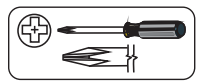
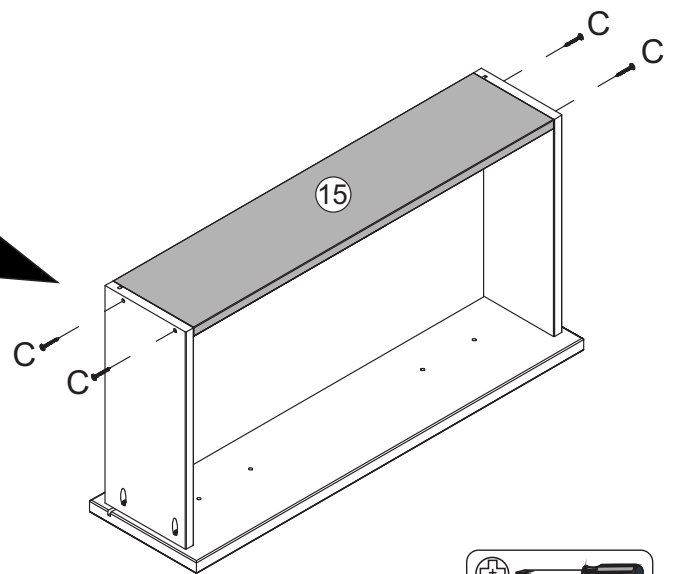



**C**  4,0 x 30 Screw Qty **12**

# 11 (x3)

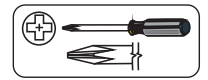
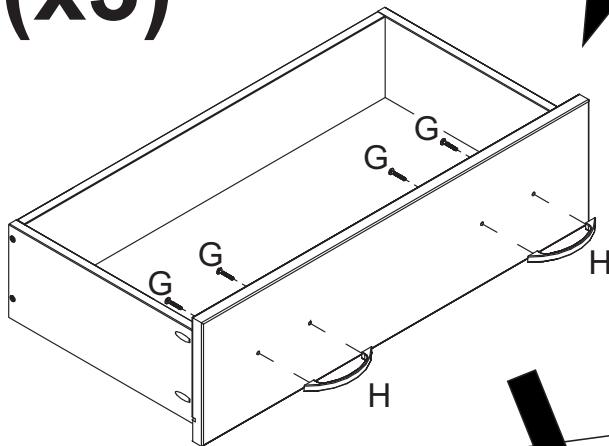



# 12 (x3)



**C**  **4,0 x 30 Screw** Qty **12**

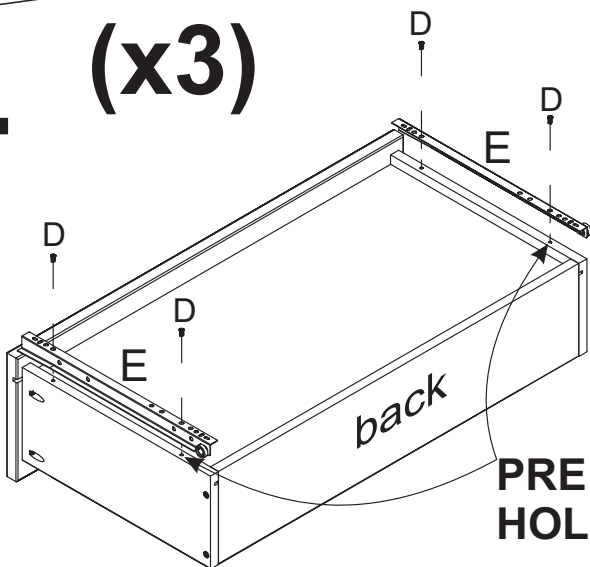
# 13 (x3)



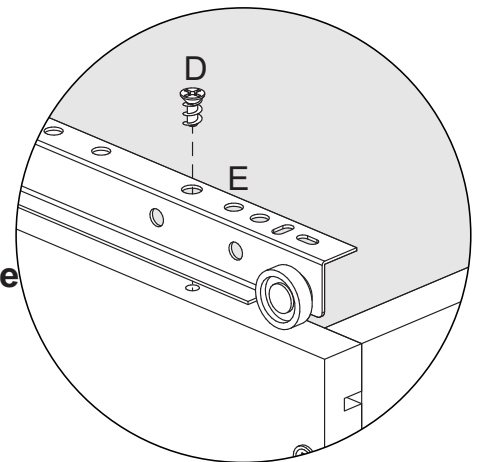
**G**  **M4,0 x 25 Screw** Qty **12**

**H**  Qty **06**

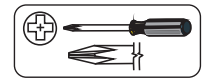
# 14 (x3)





 **The wheel to the back!**



**PRE DRILLED HOLES**



**E**  **Metal Glides 13 3/4"** Qty **03**

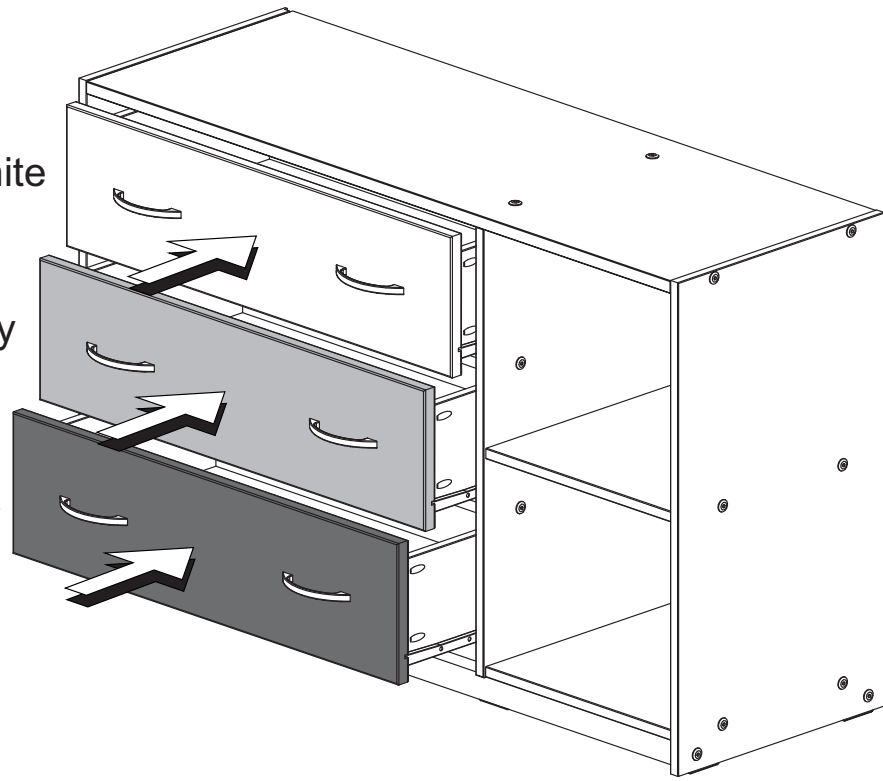
**D**  **6,0 x 10 Screw** Qty **12**

# 15

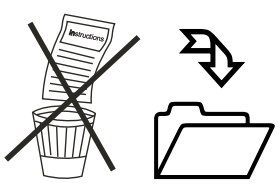
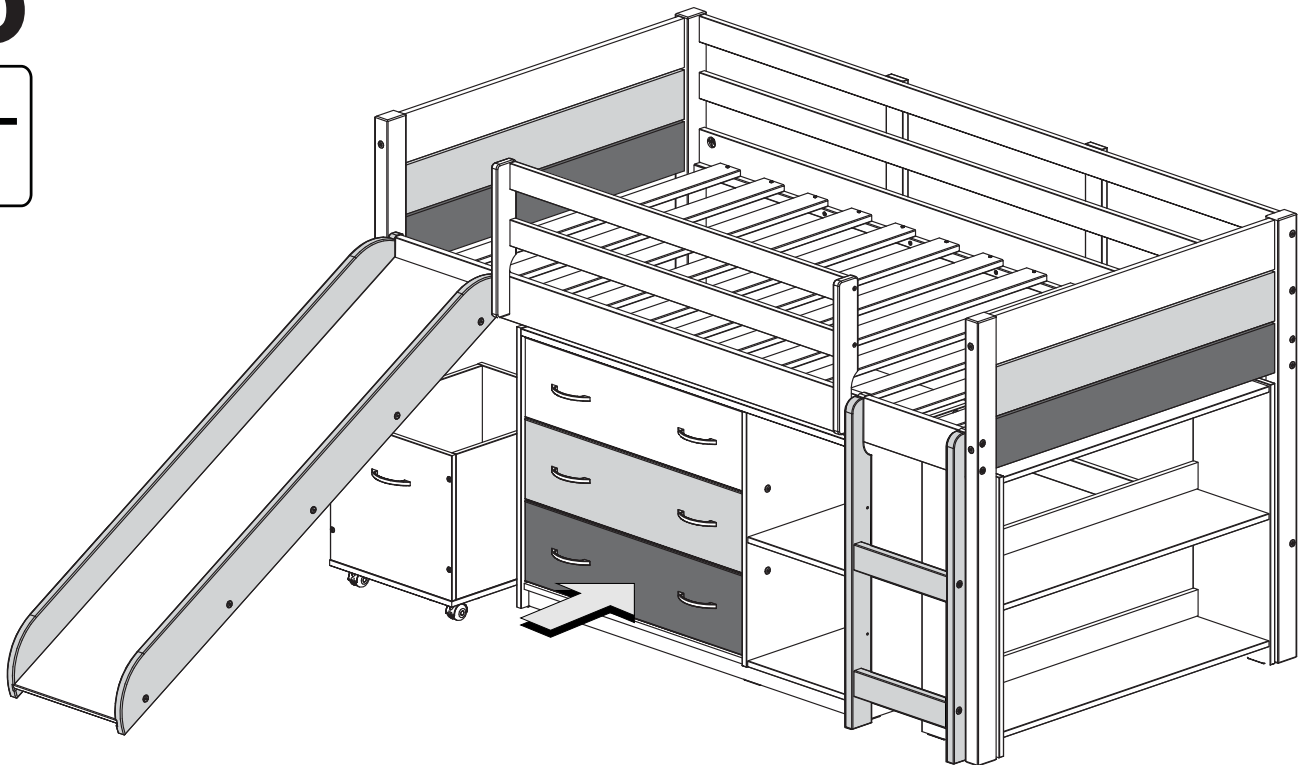
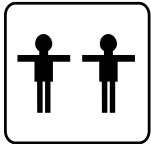
#11 Rustic White

#10 Rustic Light Grey

#9 Rustic Dark Grey



# 16



# **WARNING**

**Serious or fatal crushing injuries can occur from furniture tip over. To help prevent tip over:**


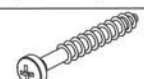


- \* Place heaviest items in the lowest drawers.
- \* Unless specifically designed to accommodate do not set TV's or other heavy objects on top of this product.
- \* Never allow children to climb or hang on drawers, doors, or shelves.
- \* Never open more than one drawer at a time.

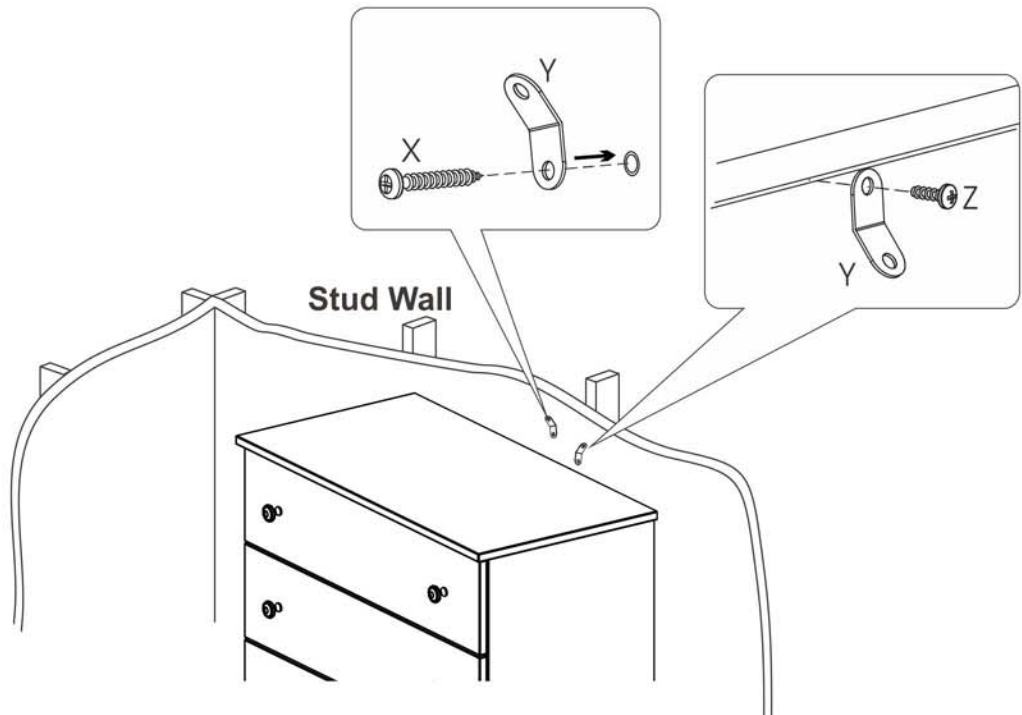
**Use of tip-over restraints may only reduce, but not eliminate, the risk of tip over.**

## **STEP 01**

### Tipping restraint Instructions

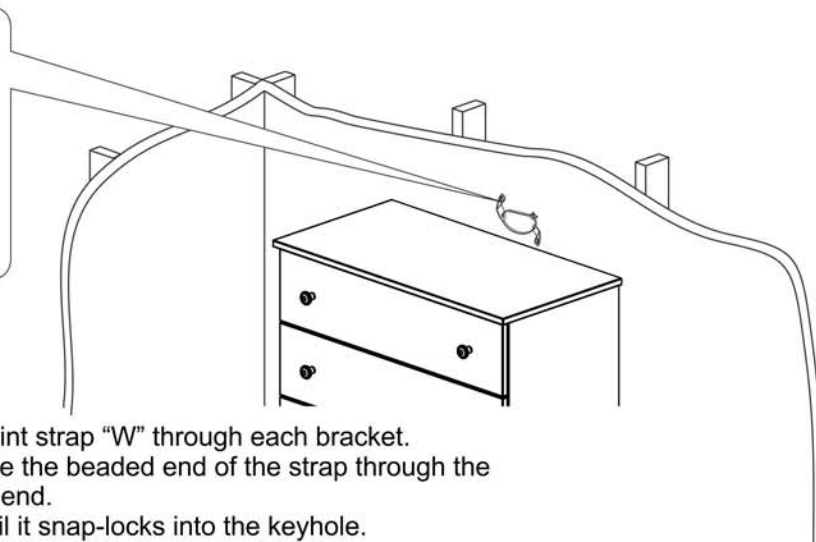
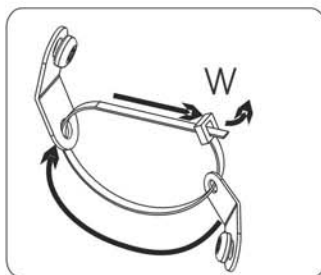
#### TIPPING RESTRAINT HARDWARE

W		01
	• nylon strap	
X		01
	• 2" screw	
Y		02
	• wall brackets	
Z		01
	• 5/8" small screw	



- This tip restraint must be attached to a WALL STUD using the 2" screw enclosed.
- When properly installed, this hardware can provide protection against the unexpected tipping of furniture.
- Attach one of the mounting brackets "Y" securely to the back top edge of the unit using the short screw "Z".
- Locate the other bracket on the wall over a wall stud and 2 inches below the mounting bracket secured to the back of your unit. Attach so the wall stud using the 2" screw provided, through the bracket hole.
- Place the unit so the bracket on the back edge of unit is in line with the bracket on the wall.

## **STEP 02**



- Lace the end of the nylon restraint strap "W" through each bracket. Bring both ends together and slide the beaded end of the strap through the keyhole shaped slot on the other end. Pull down on the beaded end until it snap-locks into the keyhole.
- Check to make sure the strap is securely laced and locked to the brackets.