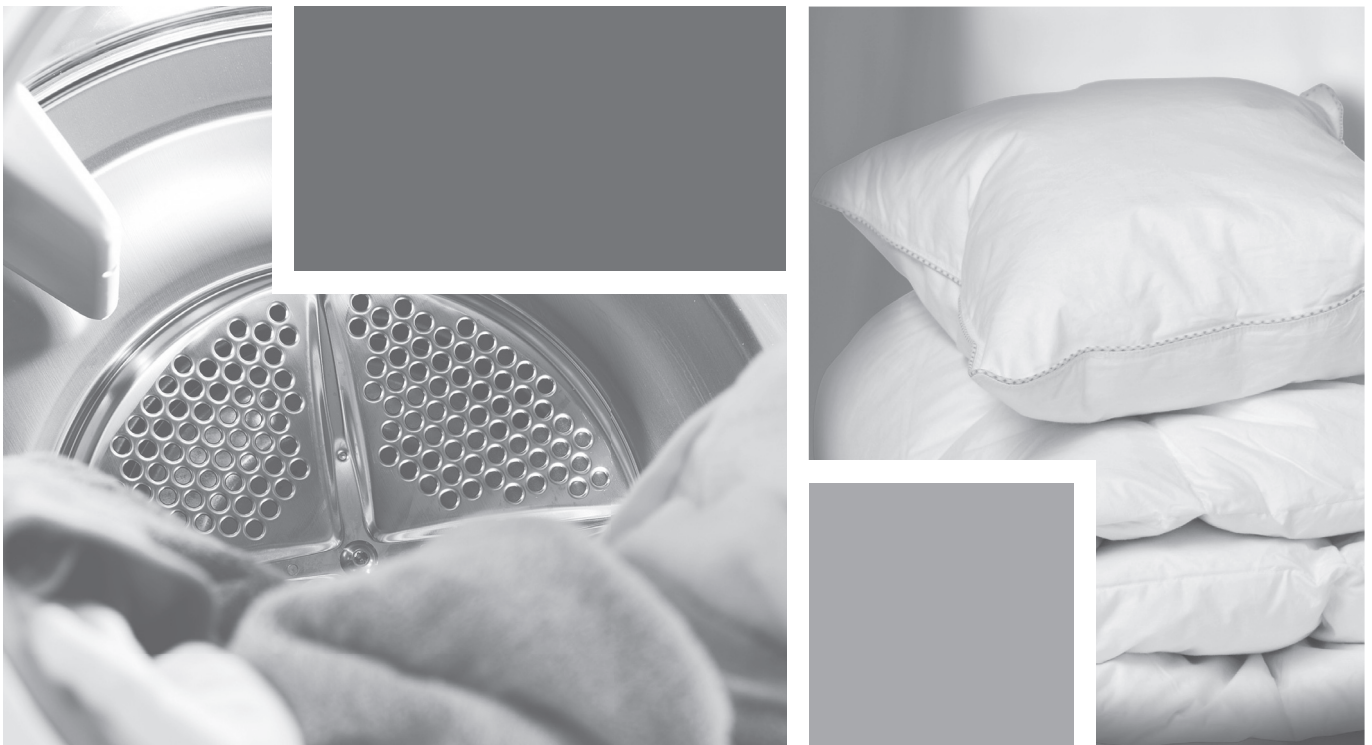


Dear Customer,

Thank you for choosing this quality product from ASKO. We hope it will meet your expectations and fulfil your needs for many years to come. Scandinavian design combines clean lines, everyday functionality and high quality. These are key characteristics of all our products and the reason they are greatly appreciated throughout the world.

To get the most out of your new machine, we recommend that you read the operating instructions before using the machine. The operating instructions also include information on how you can help protect the environment.



Operating Instructions

Tumble dryer
T884HP XLW

WARNING: Read the instructions before using the machine.

CONTENTS

BEFORE USING YOUR MACHINE FOR THE FIRST TIME	3	CARE AND CLEANING	15
Language selection	3	Cleaning the lint filter	15
Laundry labels	3	Emptying the condensed water container	16
SAFETY INSTRUCTIONS	4	Cleaning the evaporator filter and evaporator	16
Grounding instructions	5	Cleaning the auto filter	17
Installation	6	Cleaning the outside of the machine	17
Transport/Winter storage	6	TROUBLESHOOTING	18
Packing material	6	The machine will not start	18
Recycling	6	The machine loses all power during a programme	18
KidSafe™ Child-safe	7	The machine leaks water	18
KidSafe™ Child-safe start	7	Drying takes too long	18
Activating/deactivating KidSafe™ Child-safe start	7	Error messages	18
To deactivate KidSafe™ Child-safe start temporarily	7	TECHNICAL INFORMATION	19
DESCRIPTION OF THE TUMBLE DRYER	8	Technical data	19
ADVICE AND TIPS BEFORE YOU TUMBLE-DRY	9	Standard tests	19
Have the clothes been spun?	9	Information on energy labelling	20
Materials that can be tumble-dried	9	SERVICE AND GUARANTEE	21
Materials that must not be tumble-dried	9	Limited Warranty – Residential Appliances	21
Static electricity	9	INSTALLATION	23
TUMBLE DRYING	10	Installation	23
Sort your fabrics	10	Electrical installation	23
Select the programme	10	Connection on delivery	23
Selecting options	11	DOOR HANGING	24
Press the start button	11	QUICK GUIDE	28
Drying programme finished	12		
Programme chart	13		
SETTINGS	14		
You can carry out the following settings	14		
Language	14		
KidSafe™ Child-safe	14		

Original instruction

BEFORE USING YOUR MACHINE FOR THE FIRST TIME

LANGUAGE SELECTION

You will be prompted to select the display language when you have connected your machine and start it for the first time. Do as follows:

1. Turn the programme selector to choose from: US English, English, Svenska, Dansk, Norsk, Suomi, Français, Deutsch, Italiano, Espanol, Русский, Nederlands.
2. Press Stop to save the setting.

LAUNDRY LABELS

Certain materials are not suitable for tumbling drying. Always check and follow the instructions on each item's laundry label. You can find more information in the Advice and tips before you tumble-dry chapter.

NOTE

When starting the tumble dryer for the first time or after a long period without use, you may notice a slight thumping noise. This noise is completely normal and will disappear after a few loads.



! SAFETY INSTRUCTIONS



SAVE THESE INSTRUCTIONS FOR FUTURE REFERENCE

! WARNING!

WARNING - To reduce the risk of fire, electric shock, or injury to persons when using your appliance, follow basic precautions, including the following:

- Read all instructions before using the appliance.
- Do not wash or dry articles that have been previously cleaned in, washed in, soaked in, or spotted with gasoline, dry-cleaning solvents, cooking oils, other flammable or explosive substances as they give off vapors that could ignite or explode.
- Your dryer is intended solely for household use.
- Do not allow children to play on or in the appliance. Children should be closely supervised when near the appliance.
- Before the appliance is removed from service or discarded, remove the door to the drying compartment.
- Do not reach into the appliance if the drum is moving.
- Do not install or store this appliance where it will be exposed to the weather.
- Do not tamper with controls.
- Do not attempt to repair or replace any part of the appliance or perform any servicing unless specifically recommended in this guide.
- Do not use fabric softeners or dryer sheets unless the manufacturer gives written assurance that the product will not damage a tumble dryer.
- Do not heat dry items containing vinyl, plastic, foam rubber or similarly textured rubberlike materials, fiberglass, or wool unless the label
- Clean the lint filter before or after each load.
- Keep the area around the exhaust opening and adjacent surrounding areas free from the accumulation of lint, dust and dirt.
- The interior of the machine should be cleaned periodically by an authorized ASKO service agent.
- Do not place items exposed to cooking oils in your dryer. Items contaminated with cooking oils may contribute to a chemical reaction that could cause a load to catch fire.
- Electrical installation, if required, must be done by a licensed electrician.
- Do not operate appliance while away from the home.
- Do not heat dry items that have been dry-cleaned.
- The dryer is made and marked to facilitate recycling. When it is no longer useful, contact your local refuse collection service for advice on how to properly dispose of the dryer for purposes of recycling.
- Damaged power cables should only be replaced by a certified professional.
- Provide sufficient ventilation, otherwise smoke from open fires or fumes from equipment burning other fuels can be drawn into the room.



SAFETY INSTRUCTIONS

CAUTION! HOT SURFACE!

During the program, the back of the dryer will get very hot. Let the machine cool completely before touching the back.

WARNING!

This appliance must be properly grounded.

GROUNDING INSTRUCTIONS

A) Grounding instructions for a grounded, cord-connected appliance

In the event of malfunction or breakdown, grounding will reduce the risk of electric shock by providing a path of least resistance for electric current. This appliance (Canadian market only) is equipped with a cord having an equipment-grounding conductor and a grounding plug. The plug must be plugged into an appropriate outlet that is properly installed and grounded in accordance with all local codes and ordinances.

WARNING!

Improper connection of the equipment-grounding conductor can result in a risk of electric shock. Check with a qualified electrician or service representative or personnel if you are in doubt as to whether the appliance is properly grounded. Do not modify the plug provided with the appliance (Canadian market only). If it will not fit the outlet, have a proper outlet installed by a qualified electrician.

To reduce the risk of fire, this appliance must be exhausted outdoors or the equivalent. Do not exhaust into a chimney, wall, ceiling or concealed space in a building.

B) Grounding instructions for a permanently connected appliance:

This appliance must be connected to a grounded metal, permanent wiring system, or an equipment-grounding conductor must be run with the circuit conductors and connected to the equipment-grounding terminal or lead on the appliance.

NOTE!

This manual does not cover every possible condition and situation that may occur. Use common sense and caution when installing, operating, and maintaining any appliance.



! SAFETY INSTRUCTIONS

INSTALLATION

See the separate installation instructions.

! WARNING!

Do not start the machine until it has been in position for 24 hours. If for some reason the tumble dryer needs to be laid down for transport or service, it must be laid on its left side viewed from the front.

TRANSPORT/WINTER STORAGE

If you need to move your machine or store it over the winter in unheated premises, make sure that you drain the condensed water container beforehand.

PACKING MATERIAL

Please sort waste materials in accordance with local guidelines.

RECYCLING

This machine is manufactured and labelled for recycling. In order to prevent personal injury, the machine must be made inoperable after deciding to take it out of service. Contact your local authority for information about where and how your machine should be correctly recycled.

! WARNING!

This product may contain chemicals known to the state of California to cause cancer or reproductive harm.



SAFETY INSTRUCTIONS

KIDSAFE™ CHILD-SAFE

⚠ WARNING!

DO NOT ALLOW CHILDREN TO PLAY WITH THE TUMBLE DRYER.

- If the door is opened when a programme is running the garments may be very hot, with a risk of burn injuries.
- The tumble dryer does not start automatically when the door is closed (if a child pulls the door shut from the inside, for example).

KIDSAFE™ CHILD-SAFE START

By activating the child-safe start function you can prevent children from starting the tumble dryer or changing the current programme.

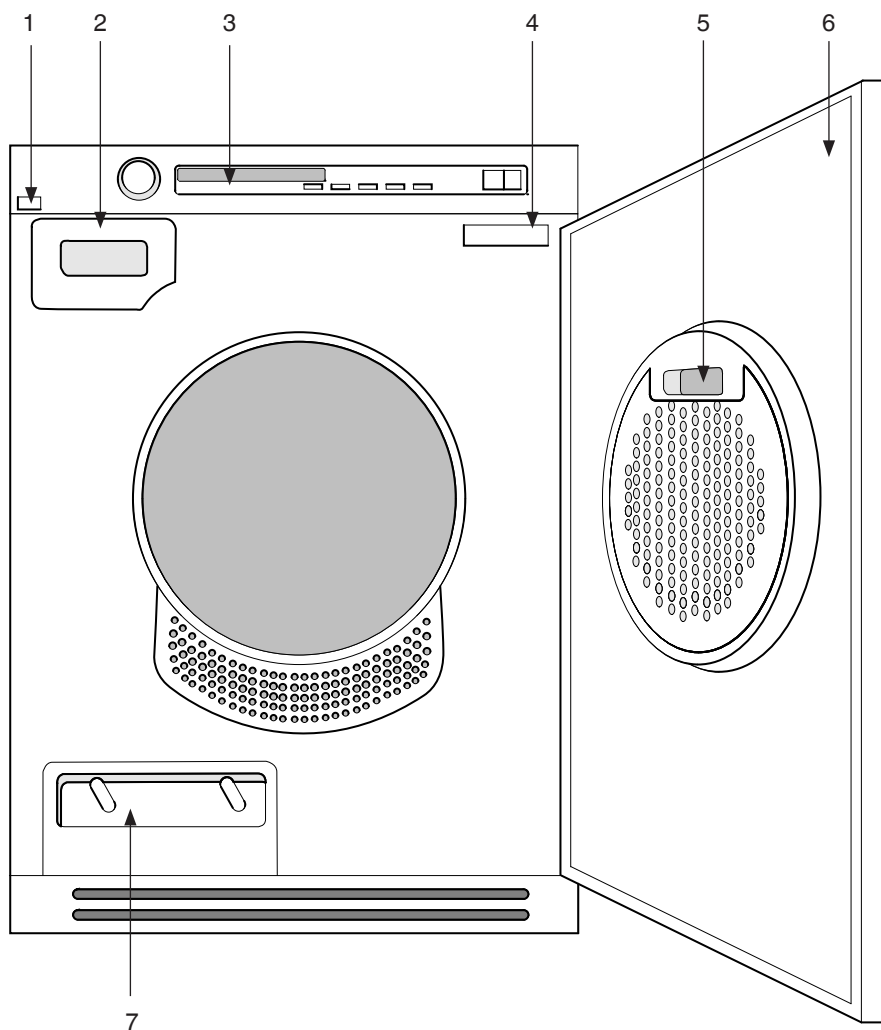
ACTIVATING/DEACTIVATING KIDSAFE™ CHILD-SAFE START

1. Turn off the machine using the main power switch.
2. Press and hold the + button and the temperature selection button and turn on the main power switch.
3. Turn the programme selector and choose "Child-safe start off" or "Child-safe start on".
4. Press the Start button to save.

TO DEACTIVATE KIDSAFE™ CHILD-SAFE START TEMPORARILY

You can temporarily deactivate Child-safe start for three minutes by pressing the temperature button and the minus button under Delayed Start at the same time.

DESCRIPTION OF THE TUMBLE DRYER



- | | |
|------------------------------|----------------|
| 1. Main power switch | 5. Lint filter |
| 2. Condensed water container | 6. Outer door |
| 3. Panel | 7. Heat pump |
| 4. Type plate | |




ADVICE AND TIPS BEFORE YOU TUMBLE-DRY

Here are some tips that may help you before you begin tumble-drying.

HAVE THE CLOTHES BEEN SPUN?

Items to be tumble-dried should be spun at 1000 rpm or faster. Higher spin speeds save energy and reduce drying time.


MATERIALS THAT CAN BE TUMBLE-DRIED

 This symbol means that the material is suitable for tumble-drying. Fabrics best suited to tumble-drying are cotton fabrics, terry cloth and synthetic fibres. Garments will be softer and lighter when tumbled than when hung out to dry.

NOTE!

The tumble dryer does not cause any significant wear on fabrics. The lint that collects in the lint filter consists of dust and fibre residues formed when the items are used.

MATERIALS THAT MUST NOT BE TUMBLE-DRIED

 This symbol means that the material is not suitable for tumble-drying. Certain materials may melt or become a fire hazard if exposed to heat, and others can lose their shape or shrink.

And do not tumble-dry:

- materials labelled "Do not dry near heat".
- garments that have been dry-cleaned at home.
- plastic foam.
- fibreglass material.
- wool must not be tumble-dried because of the risk of felting.

STATIC ELECTRICITY

To reduce the risk of static electricity in the laundry after tumble drying you can:

- Use fabric softener when washing.
- Wait five minutes after the drying program ends before opening the door and removing the laundry from the dryer.

NOTE!

You can stop the tumble dryer by pressing the Stop button for three seconds or by opening the door. In both cases the programme is stopped and starts from the beginning if restarted. If you do not want to restart the programme then immediately remove all laundry and spread it out to allow the heat to dissipate.



TUMBLE DRYING

Below are step-by-step instructions to help you achieve the best possible tumble-drying results.

SORT YOUR FABRICS

You will achieve the most uniform drying results if the items are made of the same type of material. Do up zips and buttons, fasten belts, sort the items and adjust the load and temperature.

NOTE!

Do not overload the drum!
Overloading the dryer will result in poor drying results and wrinkling.

Press the main power switch until the display lights.
Open the door, load the items and then close the door.

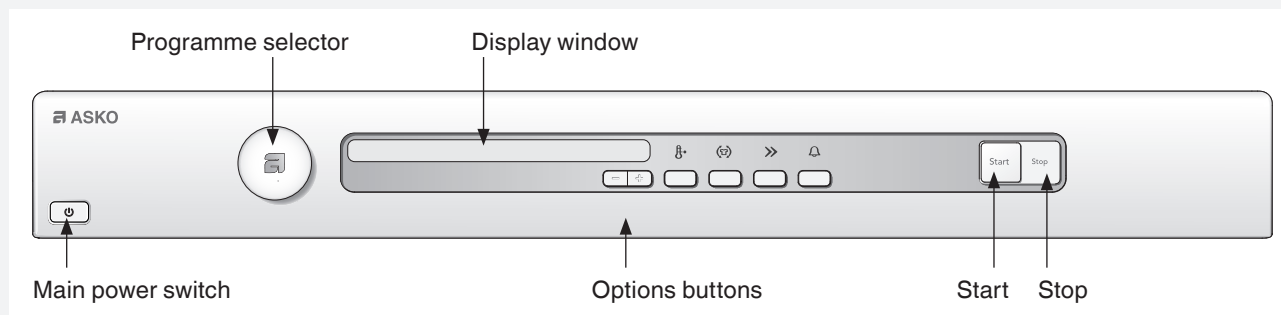
NOTE!

Make sure that objects e.g. detergent dispensing balls, have been removed from the laundry. They could melt and cause damage to the dryer or the laundry.

NOTE!

To save energy, always observe the maximum load for each program (see Program chart).

SELECT THE PROGRAMME



Select a programme by turning the programme selector. The selected programme is shown in the display window. Use the option buttons to select any options.

Guidelines as to what specific programmes can be used for:

Auto heavy

This program is for items that are particularly difficult to dry.

NOTE!

Knitted fabrics in particular are prone to shrinkage. Use the Auto heavy, Auto normal dry or Auto Iron dry programs for these items. Stretch clothes back into shape immediately after drying.

Auto dry and Auto delicate

These programmes end automatically when the load is dry. The Auto dry programme gives slightly drier laundry than Auto normal dry.

Auto Iron dry

This programme shuts off the heat once the load is just damp enough for ironing or pressing.

Jeans

Program for jeans and clothing with very thick seams. Delayed Start can be selected as an option.

Synthetics

Gentle program for synthetics. Delayed Start can be selected as an option.

Terry towels

Program intended for large and small loads of thick terry cloth, such as towels and bathrobes.

Down

Gentle program that dries down items completely. Can be used to dry up to three pillows or one quilt.

Timed dry

The most suitable program time depends on what you intend to do with the items after tumble-drying them. Use trial and error to find out what works best. When you use Timed dry to tumble-dry a load of mixed fabrics, some of the garments may remain damp. Tumble-dry any damp garments for a further 30 minutes or so using the Timed dry program. Select the program time by pressing the + and - buttons. A program time between 30 minutes and 3 hours can be selected and each button press changes the time by 15 minutes.



TUMBLE DRYING

NOTE!

When using the Timed dry program with a program time that is too long, the garments can become “over-dry”. This can cause items to shrink or crease and feel rough to the touch. Synthetic materials can also become charged with static electricity.

Revitalise

Use the Air fluff program when you just want to refresh, air or soften up items. Select the program time by pressing the + and - buttons. A program time between 15 minutes and 3 hours can be selected and each button press changes the time by 15 minutes.

SELECTING OPTIONS

By selecting options, you can tailor a drying programme to suit your requirements. The available options depend on the selected programme. Once you have started the programme, the options you selected are saved for the next time you use the same programme. The exception is option Delayed Start, which is not saved for the next time.

Energy Save

You can select Energy Save with all programmes except Revitalise and Timed dry.

- Select Energy save by pressing the button under the symbol.
- The symbol lights when the option Energy save is selected.

Audible Volume

You can choose to have the machine notify you when a programme is finished or if an error has occurred.

- Select Audible Volume by pressing the button under the symbol.
- The symbol lights when Audible Volume is selected.

Time saver

You can select Time saver with all programmes except Revitalise. The programme is shortened by about 12 minutes.

- Press the button under the symbol.
- The symbol lights when Time saver is selected.

Anti crease

This option means that the drum will rotate for three seconds per minute for two hours after the drying programme has finished. This option prevents items from remaining in the same position and becoming creased if you are unable to remove them immediately after tumble-drying has finished. Cannot be selected

with the Revitalise programme. If the Audible Volume option has also been activated, an audible signal will sound each time the drum rotates as a reminder that the drying programme has finished.

- Select Anti crease by pressing the button under the symbol.
- The symbol lights when Anti crease is selected.

Delayed Start

First select which programme you want to use and then select Delayed Start by pressing the + button. The display shows Delayed Start in whole hours. Press the + / - button to select a delayed start of 1 to 24 hours. The symbol for Delayed Start lights next to the number of hours. Press the Start button and the machine counts down 1 hour at a time and starts after the selected delay. This option cannot be used with Timed dry or Revitalise.

PRESS THE START BUTTON

An estimate of the remaining drying time will be shown on the display a few minutes after the drying programme starts. For example, 1:35 means that it will take approximately 1 hour and 35 minutes for the load to dry. If the option Anti crease has been selected, the drum will rotate for three seconds per minute for two hours after the programme is finished. The actual remaining time may be longer than the estimated time shown on the display. The remaining time is then shown as 0:15 until the load is sufficiently dry. If you selected Time Saver the display will show 0:05 instead. You can stop the tumble dryer by pressing the Stop button for three seconds or by opening the door. In both cases the programme is stopped and starts from the beginning if restarted.

NOTE!

The programme will not be affected if you change the programme selector after the programme has started.



TUMBLE DRYING

DRYING PROGRAMME FINISHED

The text Done appears on the display when the programme is finished. If the Anti crease option has been selected, the drum will rotate for three seconds per minute for two hours after the programme is finished. The compressor's cooling fan continues to run after the program finishes, but stops automatically or when any button/knob is activated.

Backlighting

Two minutes after the drying programme finishes the backlighting on the display and options buttons enters energy saving mode. Turn the programme selector if you want to activate the machine.

Condensed water

The condensed water container must be emptied after each load. Remove the condensed water container, empty out the water and replace the container. If the condensed water container becomes full to overflowing, the program is interrupted and Over Flow appears on the display. Empty the container and press the Start button to start a new program.

TIP!

The condensed water is decalcified and can be used in steam irons. Pour it through a coffee filter.

NOTE!

- Clean the lint filter in the outer door after each load. See the Care and cleaning chapter.
- Clean the steamer and the steamer filter at the intervals shown on the machine's display or more often.
- Empty the condensed water container after each load.

⚠ WARNING!

If the lint filter becomes clogged, the machine's automatic overheating cut-out may be triggered. Clean the filter, wait until the machine has cooled then try starting it. If it still does not start: call the service division.

Once drying has finished

Turn off the main power switch. Remove the clothes and close the door to prevent small children from climbing into the machine.



TUMBLE DRYING

PROGRAMME CHART

Here we present the energy and time consumption of a few different programmes. The table shows the effect of using different spin speeds when washing the load. Consumption can vary depending on room temperature, humidity, load, variations in the power supply and selected options.

For the consumption values given below, the requirements are as follows:

Temperature of intake air: 73 °F (23°C)

Moisture content of intake air: 55%

Drying temperature: Normal

Program	Test load*			Full load (11kg / 24lbs)		Half load (5,5kg / 12lbs)		Partial load (3,5kg / 7,7lbs)	
	Washing machine spin speed (rpm)	Initial moisture content approx. (%)	Final moisture content approx. (%)	Energy consumption approx. (kWh)	Program time approx. (h:min)	Energy consumption approx. (kWh)	Program time approx. (h:min)	Energy consumption approx. (kWh)	Program time approx. (h:min)
Auto heavy	1400	45	-4	2,20	4:00	1,10	1:55	0,73	1:17
Auto dry	1400	45	-2	2,00	3:55	1,05	1:50	0,70	1:14
Auto delicate	1400	45	0	1,90	3:50	1,00	1:45	0,67	1:11
Auto iron dry	1400	45	12	1,60	2:50	0,65	1:04	0,43	0:53

* Test load is consist of cotton sheets, pillowcases and towels based on standard EN 61121.



SETTINGS

YOU CAN CARRY OUT THE FOLLOWING SETTINGS

- Language
- KidSafe™ Child-safe

You will be prompted to select the display language when you have connected your machine and start it for the first time.

LANGUAGE

Do as follows:

1. Turn off the machine using the main power switch.
2. Press and hold the Start button and then press the main power switch.
3. Turn the programme selector and choose from: US English, EU English, Svenska, Dansk, Norsk, Suomi, Français, Deutsch, Italiano, Español, Русский, Nederlands.
4. Press the Start button to save.

KIDSAFE™ CHILD-SAFE

Activating/deactivating Child-safe start

1. Turn off the machine using the main power switch.
2. Press and hold the + button and the option Temperature low and then turn on the main power switch.
3. Turn the programme selector and choose "Child-safe On" or "Child-safe Off".
4. Press the Start button to save.

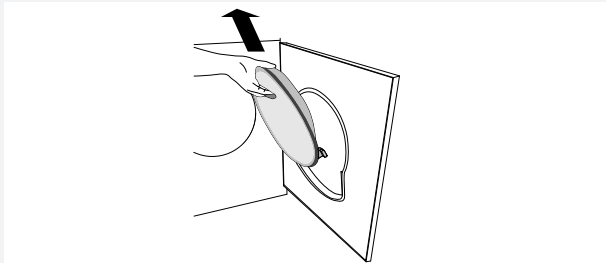
You can temporarily deactivate Child-safe start for three minutes by pressing the option Temperature low and - button at the same time.

CARE AND CLEANING

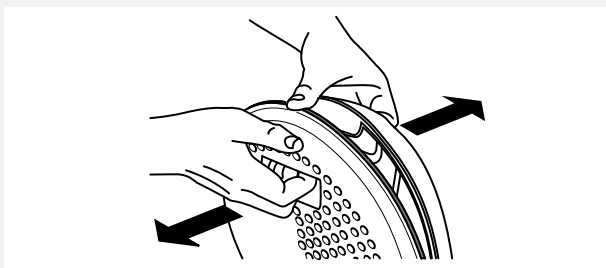
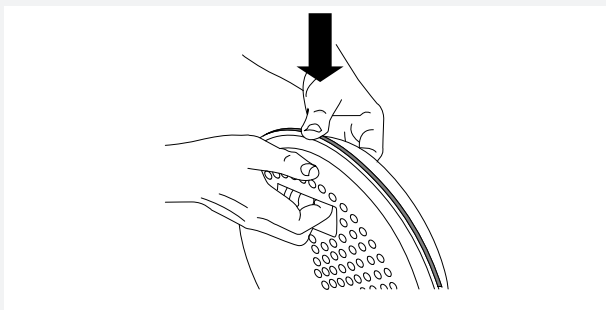
CLEANING THE LINT FILTER

The lint filter must be cleaned after each load.

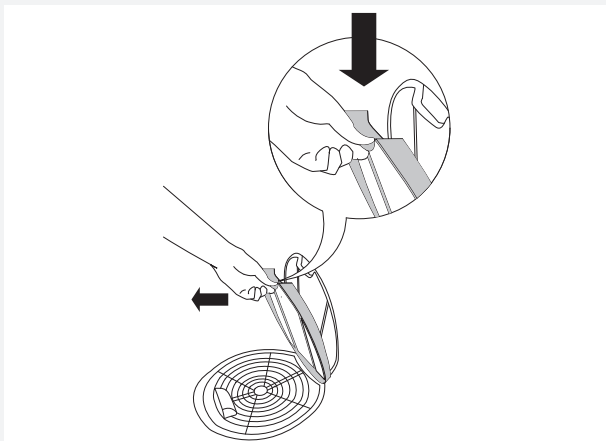
1. Lift the filter from the holder in the door.



2. Open the lint filter. Push against the edge with your thumb as shown in the figure.



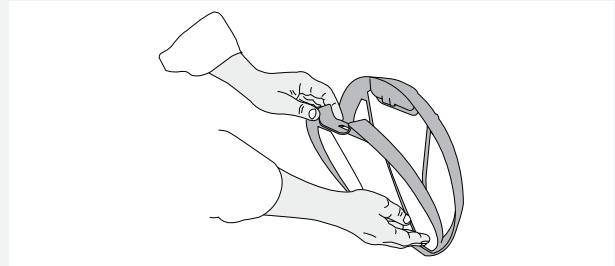
3. Open the inner filter as shown in the figure.



4. Use your hand or a soft cloth to remove the lint from all sides of the filter. If necessary, use a damp sponge and a small amount of washing-up liquid to remove any deposits. Dry the filter thoroughly with a towel.

NOTE!

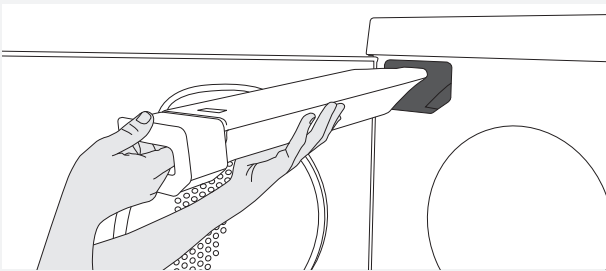
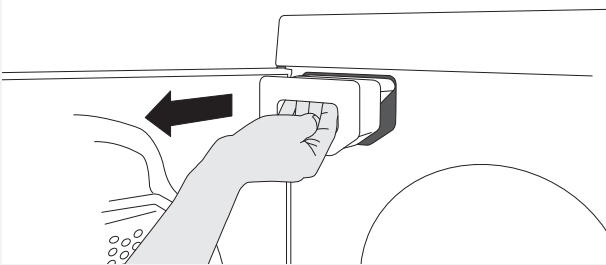
Clean the surface of the lint (fluf) filter after each drying program.



5. To close the lint filter, follow the reverse order of steps used for opening. Then, replace the filter by sliding it back into the door. Close the lint filter before closing the door.

CARE AND CLEANING

EMPTYING THE CONDENSED WATER CONTAINER



If you have not connected the machine to a separate drain the condensed water container must be emptied after each load. Remove the condensed water container, empty out the water and replace the container.

If the condensed water container becomes full to overflowing, the program is interrupted and “Over Flow” appears on the display. Empty the container and press the Start button to restart the program.

For connection to a separate drain, see the installation instructions in the set of documents.

NOTE!

Empty the condensate tank after each drying cycle.

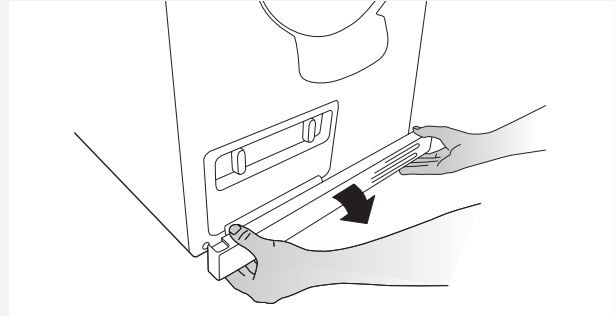
NOTE!

The dryer must not be used without the condenser unit in place.

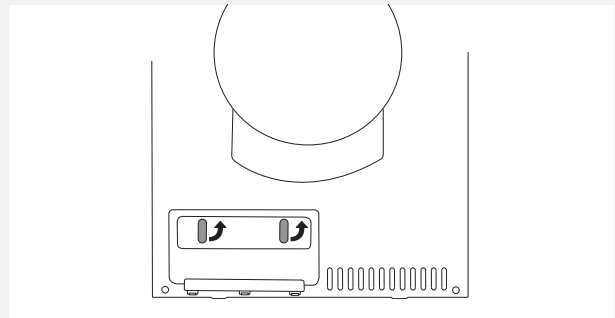
CLEANING THE EVAPORATOR FILTER AND EVAPORATOR

Clean the evaporator and the evaporator filter at the intervals shown on the machine’s display or more often.

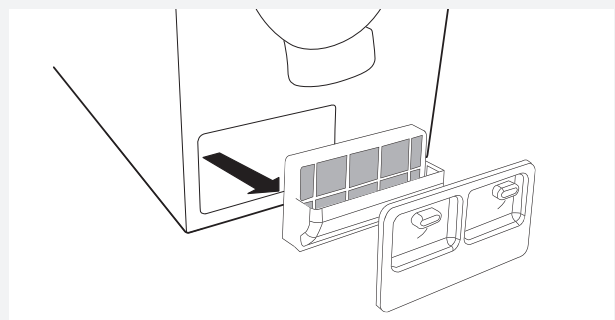
1. Turn off the Main power switch and open the outer door.
2. Remove the plinth.



3. Open the heat pump door.

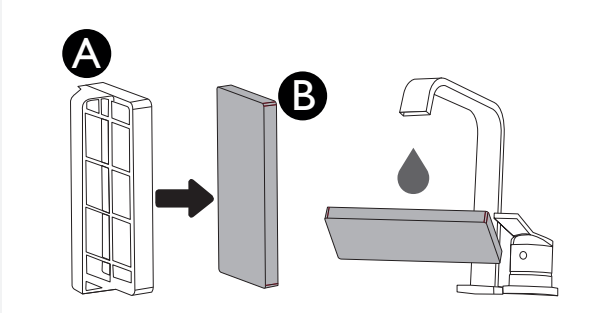


4. Pull out the filter by lightly pressing the filter support downwards.



CARE AND CLEANING

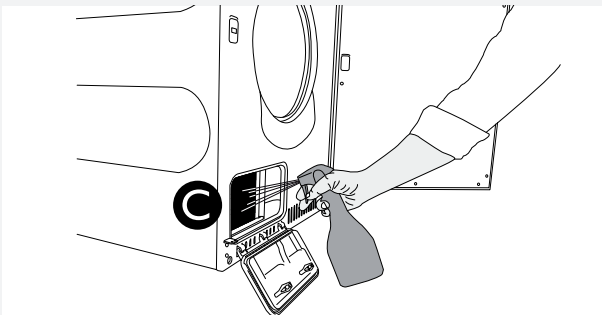
- Remove the sponge filter (B) from the filter support (A). Clean it with a vacuum cleaner and wash it under running water.



RECOMMENDATION!

Wash the sponge filter in the washing machine after 30 drying cycles (use the rinse or quick wash program).

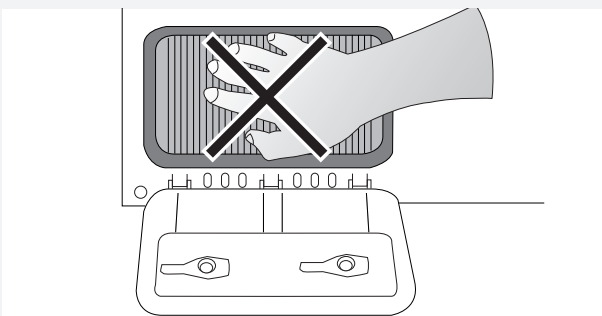
- Clean the heat pump ribs by spraying water on them (use a plant sprayer). The water will carry away the lint and the condensate pump will drain the lint and water mixture.



- Replace the clean sponge filter into the filter support. To replace the support, first insert the bottom edge of the support under an angle, and then lightly press it towards the heat pump ribs to align it. Close the heat pump door.

NOTE!

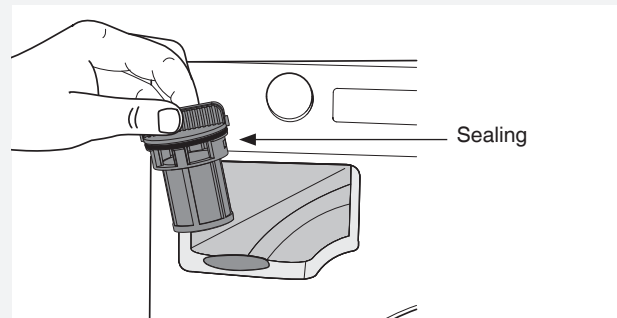
Do not touch the heat pump ribs. They are very thin and easily damaged. If the ribs are bent or damaged, the efficiency of the condenser unit will deteriorate considerably, which in turn leads to poorer drying results.



CLEANING THE AUTO FILTER

Clean the filter at the intervals shown on the machine's display or more often

- Pull the condensed water container out and up.
- Unscrew and remove the auto filter.



- Rinse the auto filter clean with water.
- Screw the autofilter back into place. Check that the seal is properly seated.

NOTE!

Clean the filters after each drying.

Do not replace the filters if they are damp or wet. Damp or wet filters could cause operational faults.

NOTE!

The dryer should never be operated without the filters in place, or with damaged filters as excessive amount of accumulated fibres from the fabric could cause malfunction or failure of the dryer.

CLEANING THE OUTSIDE OF THE MACHINE

Clean the outside of the machine and the programme panel with a mild cleaner. Do not use solvents, as these can damage the machine. Do not hose down or spray the machine with water.

NOTE!

Do not allow dust to accumulate around the machine. Keep the area around the tumble dryer clean and cool; dust, heat and moisture prolong drying times.



TROUBLESHOOTING

NOTE!

When starting the tumble dryer for the first time or after a long period without use, you may notice a slight thumping noise. This noise is completely normal and will disappear after a few loads.

THE MACHINE WILL NOT START

Check:

- that the door is properly closed.
- that the main power switch is on.
- that the Delayed Start option has not been selected. To cancel Delayed Start, press the Stop button for three seconds.
- that the plug is connected.
- that the main fuses have not blown.

THE MACHINE LOSES ALL POWER DURING A PROGRAMME

Contact the service division.

THE MACHINE LEAKS WATER

Check that the autofilter and its seal are installed correctly and not faulty.

⚠ WARNING!

If the lint filter not is cleaned regularly, the machine's automatic overheating cut-out may be triggered because of to high temperature. The heaters in the machine will then switch off and the drum will continue to spin to cool down the machine.

Call the service division if:

- Heating fault appears on the display.
- Max program time is shown frequently in the display and the laundry does not get dry. (Overheating protection may have been tripped.)

DRYING TAKES TOO LONG

- Check that the lint filter is not clogged (see the Care and cleaning chapter).
- Empty the condensed water container. Clean the evaporator filter (net filter + foam filter), evaporator, lint filter and autofilter, see chapter Care and cleaning.

ERROR MESSAGES

- If Over Flow appears on the display, the condensed water container is full or the evaporator filter is blocked. Empty the container, clean the filter and restart the machine. See the Care and cleaning chapter.
- Read Drying takes too long in this chapter if Max program time appears on the display.
- If Clean Lint Filter appears on the display, clean the lint filter.
- If Clean condenser appears on the display, clean the evaporator. See the Care and cleaning chapter.
- If Clean auto filter appears on the display, clean the auto filter. See the Care and cleaning chapter.
- Call the service division if Thermistor fault appears on the display.
- Press the Stop button to close any error messages.

TECHNICAL INFORMATION

TECHNICAL DATA

Height:	33 1/2" (850 mm)
Width:	23 1/2" (595 mm)
Depth:	29 1/3" (745 mm)
Weight (net):	134,5 lb (61 kg)
Cylinder volume:	38,3 gal (145 l)
Max. drying capacity:	24 lb (11 kg)
Speed:	50-55 rpm
Rated power:	See type plate.
Drum material:	Stainless steel
Outer casing material:	Powder-coated and hot-galvanized sheet steel or stainless steel
Setup:	Stacking or freestanding

STANDARD TESTS

Europe:

Drying performance:	EN 611 21 (392/2012). Programme 3 Auto normal dry, 24 lb (11kg) cotton, temperature Normal, Time saver. The machine has been tested for 1-Phase 10A.
Energy declaration:	EN 611 21 (392/2012). Programme 3 Auto normal dry, 24 lb (11kg) cotton, temperature Normal, Time saver. The machine has been tested for 1-Phase 10A.
Test method for noise measurement:	IEC 60 704-2-6.

This product contains fluorinated greenhouse gases.	
Type of refrigerant:	R134a
Quantity of refrigerant:	0.45 kg
Total GWP:	1430
CO ₂ equivalent:	0.644 t
Hermetically sealed.	

TECHNICAL INFORMATION

INFORMATION ON ENERGY LABELLING

Information sheet, in compliance with Commission Delegated Regulation (EU) No. 392/2012

ASKO

Model designation	T884HP XL
Max. drying capacity	11 kg
Energy efficiency class	A++
Annual energy consumption (AE_c)	282 (kWh/year) ¹⁾
Energy consumption	
Auto normal dry with full load (E_{dry})	2,38 (kWh)
Auto normal dry with half load ($E_{dry1/2}$)	1,25 (kWh)
Power consumption	
Off-mode (P_o)	0,5 (W)
Left-on mode (P_l)	0,5 (W)
Condensation efficiency	
Auto normal dry with full and half load (C_t)	86 (%)
Auto normal dry with full load (C_{tdry})	86 (%)
Auto normal dry with half load ($C_{tdry1/2}$)	86 (%)
Drying programme	Auto normal dry ²⁾
Programme time (minutes)	
Auto normal dry with full and half load (T_t)	181 (minute)
Auto normal dry with full load	249 (minute)
Auto normal dry with half load	130 (minute)
Airborne acoustical sound	66 (dB(A))
Type of dryer (A=Automatic, NA=Non Automatic)	A
Standby mode duration	2 (minute)
Condensation efficiency class	B ³⁾

1) Based on 160 standard drying cycles for Auto normal dry full and half load, and consumption in accordance with the low power modes. The actual energy consumption will depend on how the machine is used.

2) Auto normal dry used with a full or half load is the standard programme to which the information on the label and the information sheet refer. This programme is intended for drying normally wet cotton laundry and in terms of energy consumption is the most effective programme for cotton.

3) On a scale from G (least efficient) to A (most efficient).



SERVICE AND GUARANTEE

LIMITED WARRANTY – RESIDENTIAL APPLIANCES

ASKO Distribution North America, LLC. (“ASKO”) warrants to the original purchaser (the “ASKO Customer”) of the ASKO product (the “ASKO Product”), who purchased the ASKO Product from a distributor, dealer, manufacturer’s representative or other seller who has been authorized by ASKO, that this ASKO Product is free of defects in materials and/or workmanship, subject to the terms and conditions set forth herein. This Limited Warranty covers parts and labor, except as set forth in this Limited Warranty. Service must be provided by an authorized ASKO service company. YOUR SOLE AND EXCLUSIVE REMEDY UNDER THIS LIMITED WARRANTY SHALL BE PRODUCT REPAIR AS PROVIDED HEREIN. This Limited Warranty is valid only when the ASKO Product is used in the country in which it was purchased. Proof of original purchase date is required to obtain service under this Limited Warranty.

Residential ASKO Products Used Exclusively for Household/Personal Purposes:

Two (2) Years limited Warranty – Any warranty service claims for residential ASKO Products must be filed with ASKO within two (2) years from date of purchase. Service will be provided during normal business hours.

Residential ASKO Products Not Used Exclusively for Household/Personal Purposes or used Commercially or used in Marine, Mobile or Aeronautical Applications:

One (1) Year limited Warranty – Any warranty service claims for ASKO Products not used exclusively for household and personal use, or used commercially or used in marine, mobile, or aeronautical applications must be filed with ASKO within one (1) year from date of purchase. Service will be provided during normal business hours.

ITEMS EXCLUDED FROM WARRANTY

This limited warranty does not cover:

1. Replacement parts or repair labor if the ASKO Product is used in a manner that is inconsistent with published user or operator instructions and/or installation instructions.
2. Service calls to correct the installation of the ASKO Product, to instruct you on how to use the ASKO Product, to replace or repair house fuses, or to correct house wiring or plumbing.
3. Consumable items and parts, such as filters.
4. Damage resulting from accident, alteration, misuse, abuse, negligence, fire, flood, acts of God, improper use, improper installation, installation not in accordance with electrical or plumbing codes, or use of products not approved by ASKO, as well as any attempted repair by other than authorized ASKO service companies.
5. Cosmetic damage, including scratches, dents, chips or other damage to the finish of the ASKO Product, unless such damage results from defects in materials or workmanship and is reported to ASKO within 5 days from date of purchase.
6. Pickup and delivery. The ASKO Product is intended to be repaired in your home.
7. Repairs to parts or systems resulting from unauthorized modifications made to the ASKO Product.
8. Expenses for travel and transportation for product service if the ASKO Product is located in a remote area where service by an authorized ASKO service company is not available.
9. The removal and reinstallation of the ASKO Product if it is installed in an inaccessible location or is not installed in accordance with ASKO’s published installation instructions.
10. Replacement parts or repair labor on ASKO Products with original model/serial numbers that have been removed, altered or cannot be easily determined.

SERVICE AND GUARANTEE

DISCLAIMER

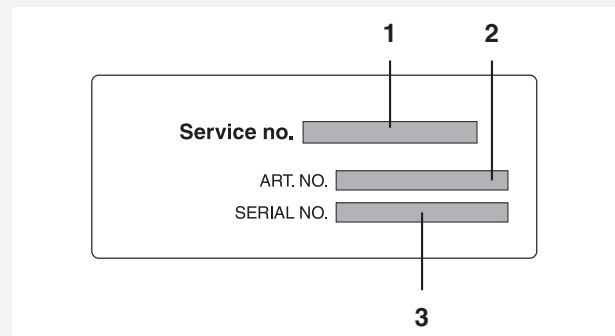
YOUR SOLE AND EXCLUSIVE REMEDY UNDER THIS LIMITED WARRANTY SHALL BE PRODUCT REPAIR AS PROVIDED HEREIN. EXPRESSLY DISCLAIMED ARE ALL OTHER EXPRESS AND IMPLIED WARRANTIES, INCLUDING ANY IMPLIED WARRANTIES OF MERCHANTABILITY AND FITNESS FOR A PARTICULAR PURPOSE. Some jurisdictions do not allow exclusion or limitations regarding warranty rights. This Limited Warranty gives you specific legal rights and you may have other rights that vary from jurisdiction to jurisdiction. Attempted repair by any person other than an authorized ASKO service company will void this Limited Warranty.

LIMITATION OF LIABILITY

IN NO EVENT SHALL ASKO OR THE MANUFACTURER AND THEIR RESPECTIVE PARENTS, SUBSIDIARIES AND AFFILIATES BE LIABLE FOR CONSEQUENTIAL, INCIDENTAL, EXEMPLARY, PUNITIVE OR SPECIAL DAMAGES. IN NO EVENT SHALL ASKO OR THE MANUFACTURER AND THEIR RESPECTIVE PARENTS, SUBSIDIARIES AND AFFILIATES BE LIABLE FOR DAMAGES OTHER THAN ACTUAL DAMAGES AND IN NO EVENT FOR DAMAGES IN EXCESS OF THE PRICE PAID FOR THE ASKO PRODUCT AS TO WHICH A CLAIM IS MADE. Some jurisdictions do not allow the exclusion or limitation of incidental, consequential or other damages, so these limitations and exclusions may not apply to you. This Limited Warranty gives you specific legal rights. You also may have other rights that vary from jurisdiction to jurisdiction.

TROUBLESHOOTING & ASKO CUSTOMER CARE

If you think you need repair service, first see the “Troubleshooting” section of the Use & Care Guide. If you are unable to resolve the problem after checking “Troubleshooting,” then additional help can be obtained by calling ASKO Customer Care at 1-800-898-1879. Read the “Troubleshooting” chapter before contacting the Customer Care Center. Make a note of the (1) service number, (2) item number and (3) serial number.

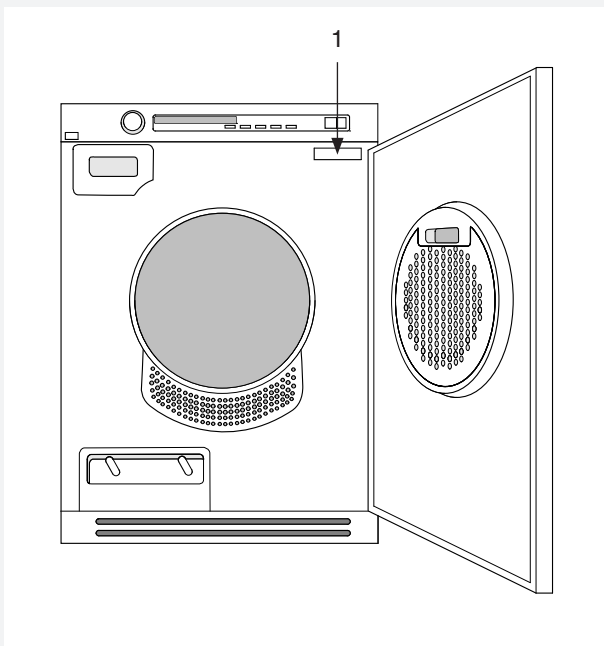


NOTE!

Only authorised spare parts shall be used in the event of failure.

NOTE!

Repair or any warranty claim resulting from incorrect connection or use of the dryer shall not be covered by the warranty. In such cases, the costs of repair shall be charged to the user.



SERVICE AFTER EXPIRATION OF LIMITED WARRANTY

For information about obtaining parts and labor after expiration of this Limited Warranty or arising outside the scope of this Limited Warranty, please contact ASKO Customer Care at 1-800-898-1879. After your purchase and prior to first use of the ASKO Product, register your ASKO Product with ASKO by utilizing the address information below. Should you need further assistance as well, contact us at the address information below:

ASKO Distribution North America, LLC
Customer Care Center
PO Box 44848
MADISON WI 53744
1-800- 898-1879
www.askona.com

INSTALLATION

INSTALLATION

See the separate installation instructions included in the set of documents.

ELECTRICAL INSTALLATION

Connect the machine by plugging it into an earthed wall socket. The electrical wall socket must be placed outside of the installation area to be easily accessible.

⚠ WARNING!

The receptacle on the rear of the machine is designed to accommodate ASKO washers ONLY (rated 208–240 V.) To use this receptacle, you must use the ready-fitted plug supplied with the washing machine or an equivalent. ASKO washers rated 208–240 V have two internal fuses of 15 A each. The machine should only be connected to a grounded wall socket.

⚠ WARNING!

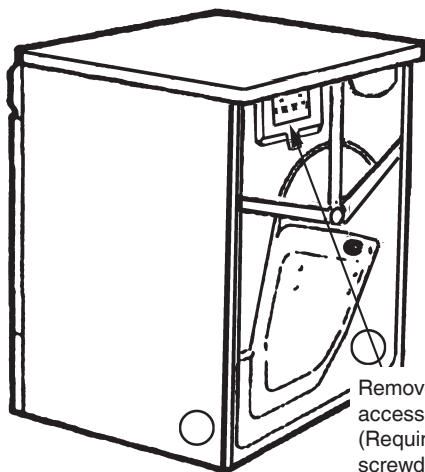
This appliance must be properly grounded. Refer to the “Important Safety Instructions” for grounding instructions. The power supply cord must be grounded. If the machine is to be used in a wet area, the supply must be protected by a residual current device. Connection to a permanently wired supply point must be made only by a qualified electrician. As supplied: Single-phase, 230 V, 60 Hz, 2500W heater rating 30 A circuit required.

CONNECTION ON DELIVERY

- 208-240 V, 1-phase, 15 A
- 60 Hz
- Use a type A residual-current device.

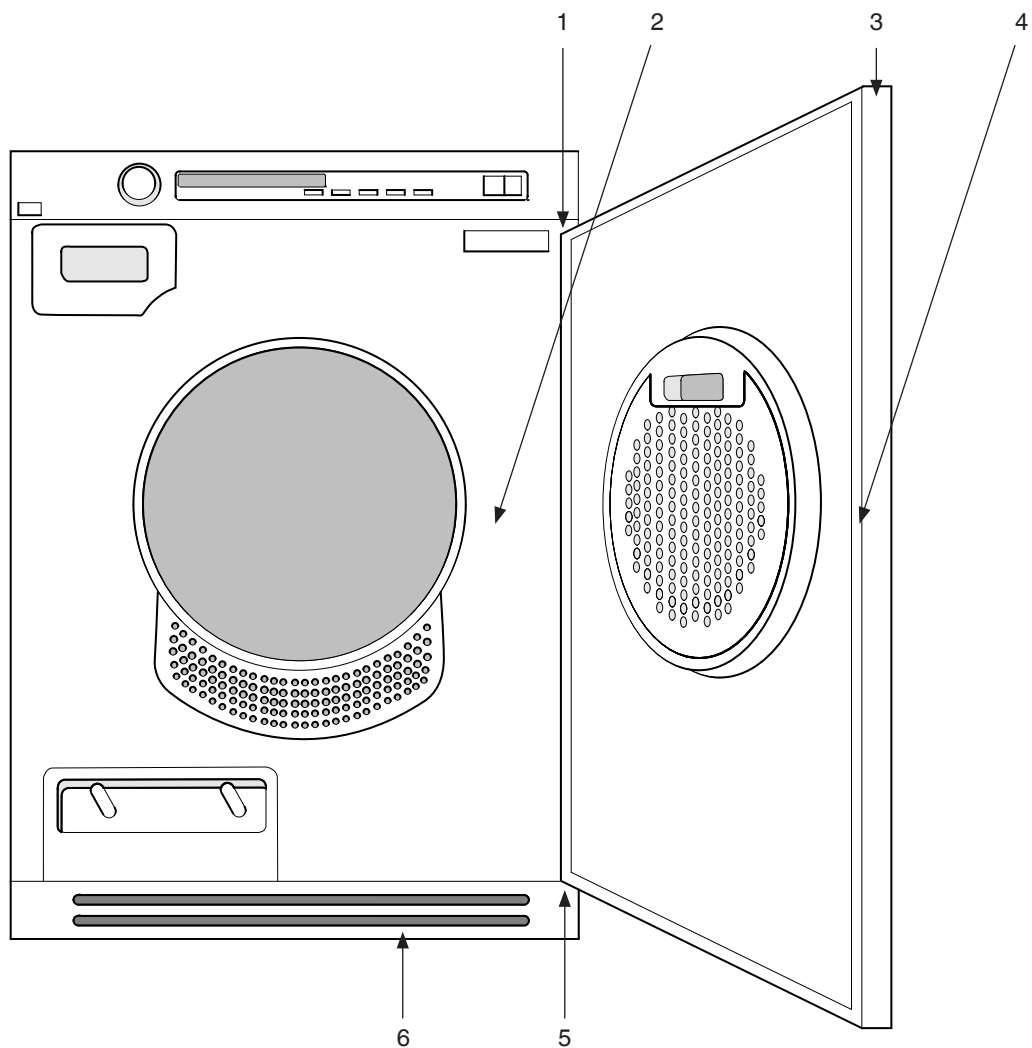
NOTE!

Do not connect the machine to the mains electricity supply by an extension lead.



Remove cover to access terminal box. (Requires- Torx screwdriver.)

DOOR HANGING



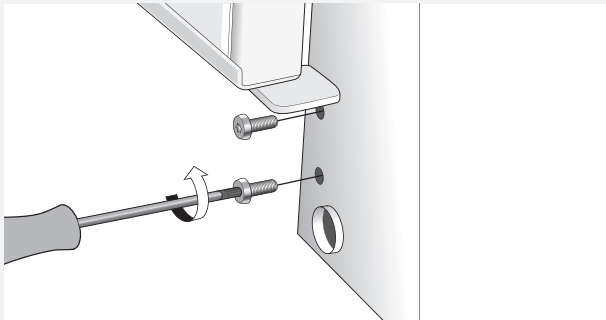
1. Hinge pins (top and bottom)
2. Cover plate
3. Plastic plugs (on the upper and lower edges)
4. Locking hook
5. Hinges (left + right side)
6. Plinth

DOOR HANGING

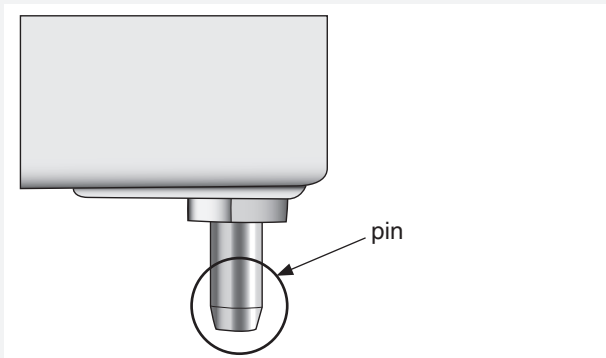
You can choose whether the door is hung on the right or the left.

Follow these instructions:

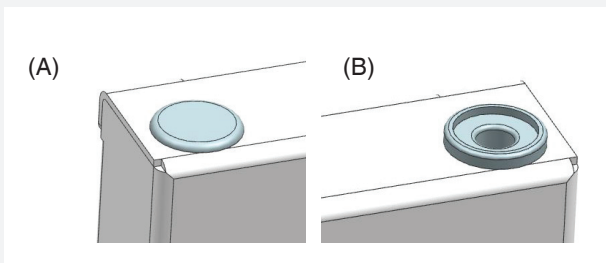
1. Remove the plinth.
2. Remove the hinge, two screws



3. Lift the door up and remove it. Support the door at the same time.
4. Remove both door pins (top and bottom). Fit them on the other side of the machine. Replace the hinge.



5. Also change the hole plug (A) (on top) and the door hinge bushing (B) (at the top and on the bottom), and replace them on the other side of the door.

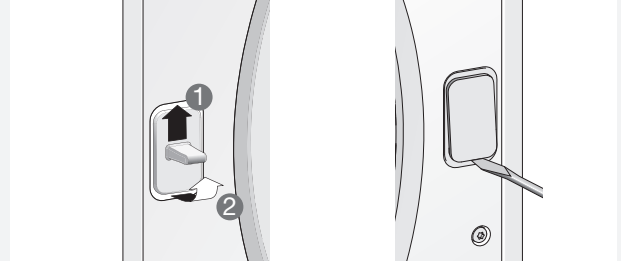


Use a flat screwdriver to remove the plugs.

NOTE!

Be careful not to damage the appliance with the screwdriver.

6. Loosen and remove the catch (lift up and pull out) and the cover plate on the door and the machine. Switch the catch and the cover plate.



7. Refit the door by loosening the hinge screws slightly, affixing the door and closing it. Retighten the hinges. Replace the plinth.



NOTES

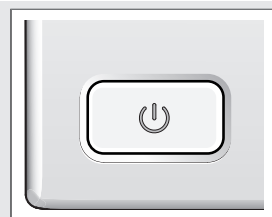
A large area of the page is filled with horizontal dotted lines, providing space for handwritten notes. The lines are arranged in two columns, with approximately 25 lines per column.



NOTES

A large area for taking notes, consisting of two columns of horizontal dotted lines.

QUICK GUIDE



1.

TURN ON THE MAIN POWER SWITCH

Load the garments and close the door.



2.

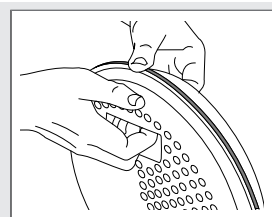
SELECT A PROGRAMME AND ANY OPTIONS

Turn the programme selector to the required programme.



3.

PRESS THE START BUTTON



4.

DRYING PROGRAMME FINISHED

The text End appears on the display when the programme is finished.

Clean the lint filter after each load.

Turn off the main power switch.

Close the door.

We reserve the right to make changes.

ASKO

www.askousa.com



TD80.2 HP
T884HP XLW US/CA



463357



en (03-17)