

CE304C-208/B



FEATURES

- Four elements, seven zones accommodate different pan sizes

- High-frequency pulsation technology for superior performance and control

- True simmer setting for soups, sauces and more

- Super-low Melt setting for fine chocolate and other delicate foods

- Rigorously tested in our U.S. manufacturing facilities for decades of use

- Exceptional 24/7 support from our Customer Care team in Madison

- Illuminated touch controls

- Hot surface indicator lights when temperature exceeds 150°F

- Temperature limiter ensures that safe operating temps are never exceeded

- Universal "off" turns all elements off

- Control panel lock for safety

- Automatic timer up to 99 minutes

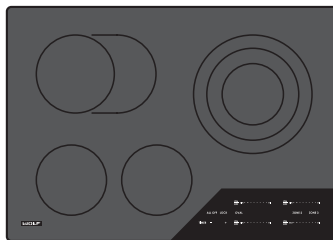
- Ceran ceramic glass resists scratching, staining, impact and heat

- Can be mounted flush with countertop

- Trimless design matches Wolf contemporary products



TOP CONFIGURATION



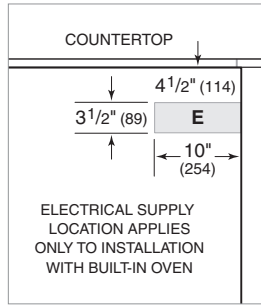
COOKTOP SPECIFICATIONS

- 1–10¹/₂" Triple Element (1050/1950/2700W)
- 2–5¹/₂" Single Elements (1200W)
- 1–6¹/₂" Single Element With Oval (2400W)

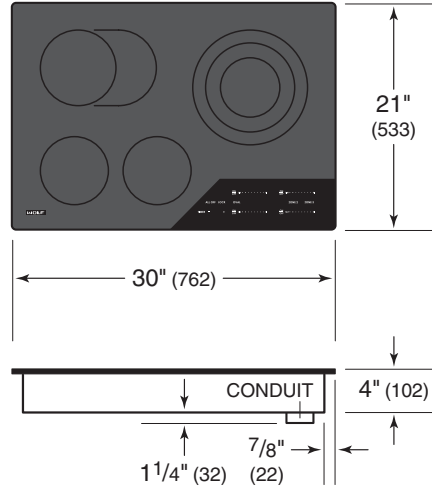
PRODUCT SPECIFICATIONS

Model	CE304C-208/B
Dimensions	30"W x 4"H x 21"D
Weight	45 lb
Electrical Supply	3-wire, 208 VAC, 60 Hz
Electrical Service	40 amp dedicated circuit
Conduit Length	4 feet

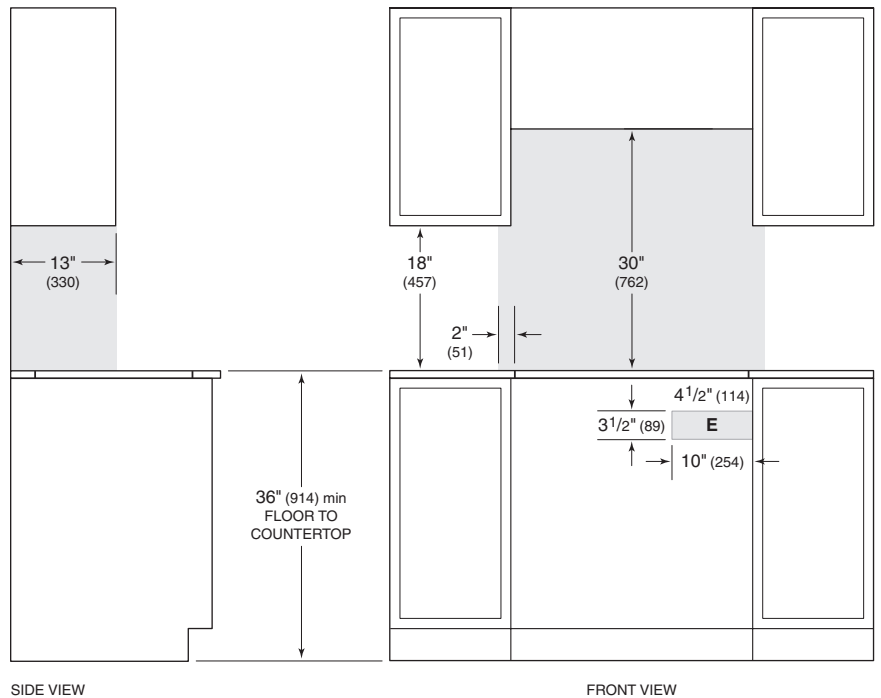
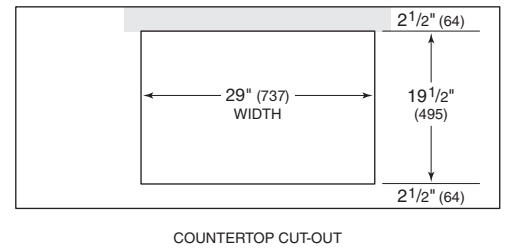
ELECTRICAL



DIMENSIONS



STANDARD INSTALLATION



*NOTE: Shaded area above countertop indicates minimum clearance to combustible surfaces, combustible materials cannot be located within this area.
Electrical supply location only applies to installations with built-in oven.*