

# XO

THE IDEAL CHOICE FOR  
STORING AND SERVING

## XOU15WGO

SINGLE ZONE WINE COOLER | PANEL READY

**SINGLE  
ZONE**



Easy to use touch control panel is hidden when the door is closed.



Full telescoping racks cradle your bottles to help dampen vibration.



Zero Clearance Hinge Enables True Flush Install

STORE UP TO 34 BOTTLES READY TO SERVE AT 41° to 64° F

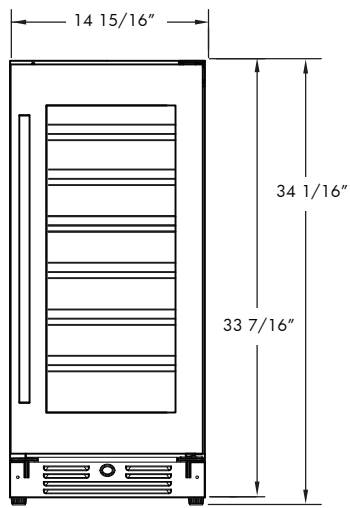
This elegant and efficient single zone wine cooler is your ideal accessory for convenient entertaining, storing up to 34 of your favorites ready to serve close at hand because the XOU15WGO was designed to install discreetly into your cabinetry. When it is all about the wine - it's all about XO.

[www.xoappliance.com](http://www.xoappliance.com)

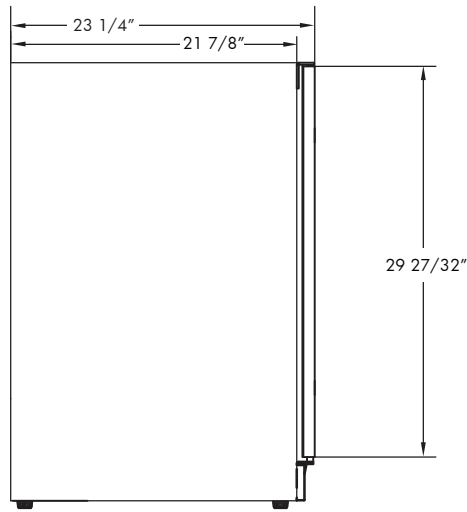
MODEL: XOU15WGO\_\*

# 15" SINGLE ZONE WINE COOLER

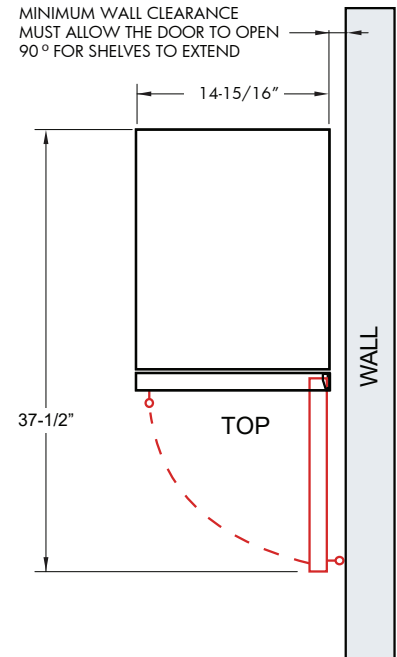
\*Specify **R** for right hand hinge - or - **L** for left hand hinge



FRONT  
RIGHT HAND HINGE MODEL SHOWN



SIDE

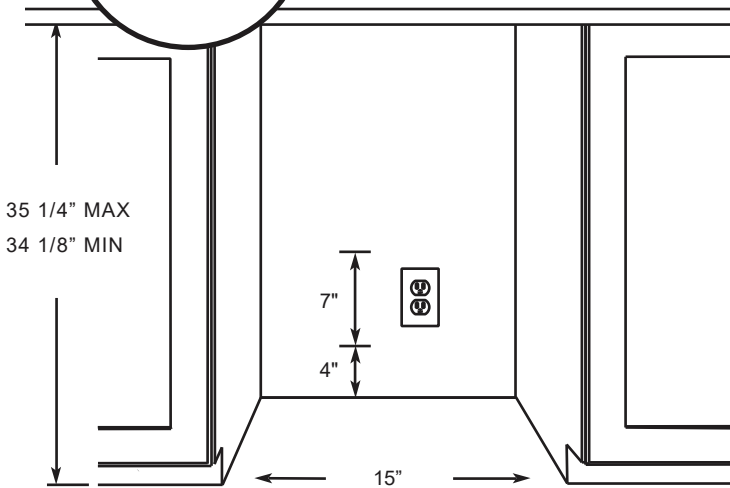


## ROUGH-IN

## SPECIFICATIONS



THE 6' FLAT PLUG POWER CORD SUPPLIED ON YOUR XO WINE COOLER ENSURES AN EASY FLUSH INSTALLATION

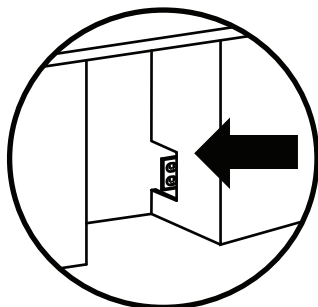


<b>Size</b>	15"
<b>Dimensions</b>	14 15/16"W x 34 1/8"H x 23 1/4"D
<b>Installation Type</b>	Built-in / Freestanding
<b>Refrigerant Type</b>	R600a
<b>Electrical</b>	115V 60Hz 1.5A USE DEDICATED 15A CIRCUIT
<b>Temperature Range</b>	41° - 64° F HOLDS UP TO (34) 750ml BOTTLES

**Panel Dimensions:** refer to operating and installation manual. Panel must not exceed 3/4" thick and 20 lbs.

### Low-E Glass

\* The void between the twin layers of coated glass is filled with Argon, a harmless, natural, inert gas further improving their insulation value. In addition to reducing energy use - this limits the transmission of damaging sound, vibration and light, particularly UV light which can harm wine.



TIP:  
IN TIGHT INSTALLATIONS CUT THROUGH AN ADJACENT CABINET WALL TO REACH AN OUTLET INSTALLED THERE



**XO** the next level  
in luxury appliances  
[www.xoappliance.com](http://www.xoappliance.com)

XO is exclusively distributed through  
EASTERN MARKETING CORP.  
24 Eisenhower Parkway, Roseland, NJ 07068  
p. 973.403.8900



# INTOXICATING FEATURES FROM **XO**



## IN THE ZONE

DIFFERENT WINES - DIFFERENT TEMPERATURES. WITH TWO DISTINCT ZONES YOU HAVE JUST THE RIGHT CONDITIONS TO BOTH STORE AND SERVE.



## NO ADMITTANCE

SECURE DOOR LOCKS KEEP YOUR COLLECTION SAFE.



## SHHH... YOUR WINE IS SLEEPING

VIBRATION, NOISE AND LIGHT ARE SOME OF WINE'S ENEMIES. UV BLOCKING LOW-E GLASS AND VIBRATION DAMPENING PROTECT YOUR FAVORITE VINTAGES.



## FAN CLUB

FILTERED, CONDITIONED AIR IS CIRCULATED TO HELP ENSURE EACH ZONE PROVIDES A STABLE, UNIFORM CLIMATE.



**SELECTABLE INTERIOR LED LIGHTING IN:**  
THEATER WHITE  
MIDNIGHT BLUE  
HONEY AMBER

## LEDS ARE COOL

COOL RUNNING INTERIOR LEDES DRAMATICALLY ILLUMINATE YOUR BOTTLES WHILE SAVING ENERGY.



## FLUSH INSTALLATION

YOUR XO IS DESIGNED TO INTEGRATE SEAMLESSLY INTO CABINETRY WITH ZERO CLEARANCE HINGES AND FLAT PLUG POWER CORD.

## XO HAS THE BEST WARRANTIES AND SERVICE...

