

T42IT100NP

42-INCH BUILT-IN FRENCH DOOR TWO DRAWER REFRIGERATOR

PANEL READY



Also Available In:

- T42BT110NS – Pre-Assembled with Masterpiece® Handles
- T42BT120NS – Pre-Assembled with Professional Handles

FEATURES & BENEFITS

- Intelligent freshness system automatically sets optimal temperature and humidity for fruits and vegetables. ThermaFresh® Pro technology keeps your food fresher longer.
- Flex drawer can be utilized as an additional refrigerator or freezer space for maximum versatility
- Dual ice maker provides two sizes of ice, diamond ice and cocktail ice, perfect for entertaining
- See what's inside without opening the door with four cameras located in the refrigerator compartment

TEMPERATURE RANGES

Refrigerator	33°F (1°C) to 43°F (6°C)
SuperCool	34°F (1°C) for Approximately 6 Hours
Energy Saving (Economy) Mode	Refrigerator: 43°F (6°C) VitaFresh: 37°F (3°C)
Freezer	-7°F (-22°C) to 6°F (-14°C)
SuperFreeze®	-15°F (-26°C) for Approximately 8 Hours
Flex Drawer	0°F (-18°C) to 39°F (4°C)
Preset Drawer Temperatures	Freezer, Soft Freeze Refrigerator, Beverages Meat/Fish, Deli/Cheese Cake

GENERAL PROPERTIES

Home Connect™ (Wi-Fi Enabled)	Yes
Flex Drawer	Yes
Carbon Air Filter	Yes
Ethylene Filter	2
Lighting	LED Sidewall and Theater Lighting
Dual Compressors / Evaporators	Yes
SoftClose® Drawers	Yes
Adjustable Shelves – Refrigerator	4
Shelf Material	Glass w/Metal Profile
ThermaFresh® Temperature & Humidity Managed Drawers	2
Non-slip Mats	10
Standard Door Bins – Refrigerator	4
Gallon Door Bins – Refrigerator	2
Defrost Process – Freezer	Automatic
Freezer Drawers	2
Internal Water Dispenser with Water Filter	Yes
SoftClose Door	Yes
Ice Maker with Diamond Ice System	Dual System w/ two sizes
Door Open Alarms	Yes
Full Extension Drawers @ 115° Door Opening Angle	Yes
Full Extension Drawers @ 90° Door Opening Angle	Yes
Special Modes	Sabbath, Economy, Vacation, Theater

CAPACITY

Total Capacity (cu. ft.)	23.9 cu. ft.*
Refrigerator / Freezer Capacity (cu. ft.)	15.9 / 4.2 cu. ft.*

TECHNICAL DETAILS

Current (A) / Volts (V) / Frequency (Hz)	15 A / 110-120V / 60 Hz
Power Cord Length (in.)	118
Plug Type	120V-3 Prong

DIMENSIONS & WEIGHT

Appliance Dimensions (H x W x D) (in.)	83 7/16" x 41 1/4" x 24"
Appliance Dimensions with Hinges and Doors, No Handles (H x W x D) (in.)	83 7/16" x 41 1/4" x 24"
Required Cutout Size (H x W x D) (in.)	84" x 42" x 24" min
Net / Gross Weight (lbs.)	554 / 603 lbs.

EFFICIENCY

ENERGY STAR® Certified	Yes
Annual Energy Consumption	635 kWh / yr**

*Preliminary measurements subject to change. Final product measurements may vary.
**Estimated annual energy consumption. Exact usage may vary.

T42IT100NP

42-INCH BUILT-IN FRENCH DOOR TWO DRAWER REFRIGERATOR

PANEL READY

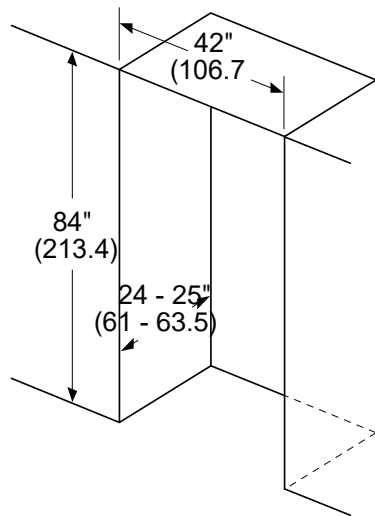


WARRANTY

Limited, Entire Appliance, Parts and Labor on Any Part of the Refrigerator that Fails Because of a Manufacturing Defect	2 Year
Limited Warranty for Sealed Refrigeration System*; Parts and Labor	3rd to 6th Year
Limited Warranty for Sealed Refrigeration System*; Parts Only	7th to 12th Year
Limited Warranty for Stainless Steel Rust-Through	Lifetime

*Sealed refrigeration system includes compressor, evaporator, condenser, dryer / strainer and connection tubing

measurements in inches (cm)



Leave 1/2" gap at the top and 1" behind the refrigerator for proper ventilation.

It is recommended that you do not install the refrigerator near a heat source such as a stove or a range.

24" min depth recommended for niche. Actual depth can vary based on kitchen cabinet design.

ACCESSORIES (OPTIONAL)

FILTERS

REPLFLTR55 | Part No. 11032531
UltraClarityPro® Water Filter

ACLETHST10 | Part No. 17006999
Ethylene Filter Starter Kit

ACLETHRF10 | Part No. 17007000
Ethylene Filter Refill

These warranties give you specific legal rights and you may have other rights that vary from state to state. Limited warranty from date of purchase. For complete warranty details, refer to your Use & Care manual, or ask your dealer.

Specifications are for planning purposes only. Refer to installation instructions and consult your countertop supplier prior to making counter opening. Consult with a heating and ventilation engineer for your specific ventilation requirements. For the most detailed information, refer to installation instructions accompanying product or write to Thermador indicating the model number. Specifications are correct at time of printing. Thermador reserves the right to change product specifications or design without notice. Some models are certified for use in Canada. Thermador is not responsible for products that are transported from the U.S. for use in Canada.