






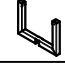
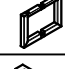
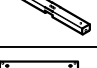


ASSEMBLY INSTRUCTION

ITEM: 6820-75203B-80 Round Dining Table Base
 6820-75203B-85 Round Dining Table Base
 6820-75203B-99 Round Dining Table Base
 6820-75223T-80 60in Round Dining Table Top
 6820-75223T-85 60in Round Dining Table Top
 6820-75223T-99 60in Round Dining Table Top

Thank you for purchasing this quality product. Be sure to unpack carefully looking for small parts which may have come loose during shipment.

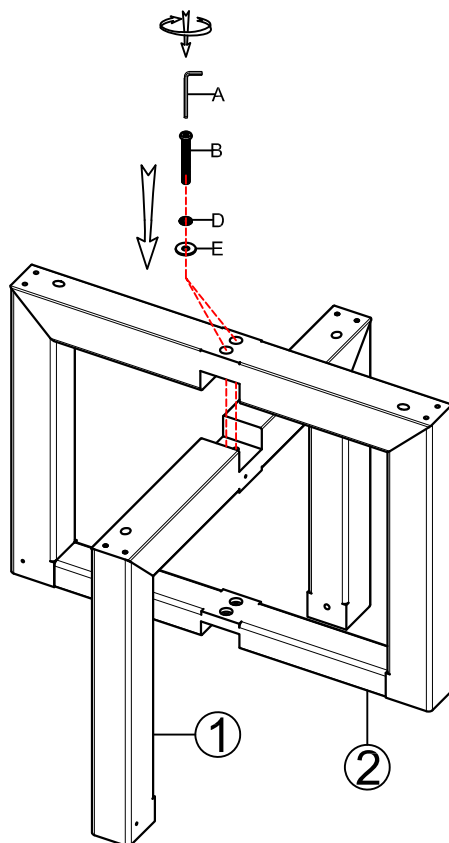
Read all instruction and study the drawing carefully before starting the assembly process.

HARDWARE PACK				
NO.	DRAWING	DESCRIPTION	SIZE	Q'TY
A		Allen Wrench	73*29*5mm	1 PC
B		Bolt	5/16*50mm	8 PCS
C		Bolt	5/16*35mm	7 PCS
D		Lock Washer	5/16"	15 PCS
E		Flat Washer	5/16*22mm	15 PCS

PART LIST			
NO.	DRAWING	DESCRIPTION	Q'TY
1		Leg Frame	1 PC
2		Square Frame	1 PC
3		Stretcher	1 PC
4		Mounting Bridge	1 PC
5		Top Panel	1 PC

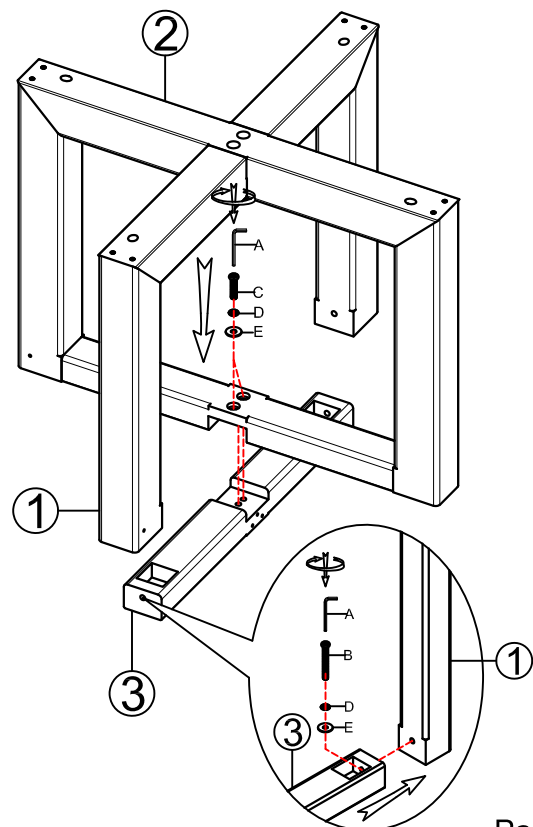
STEP 1:

Assemble Leg frame (1) with Square Frame (2).



STEP 2:

Attach Stretcher (3) to the Leg Frame (1) and Square Frame (2).



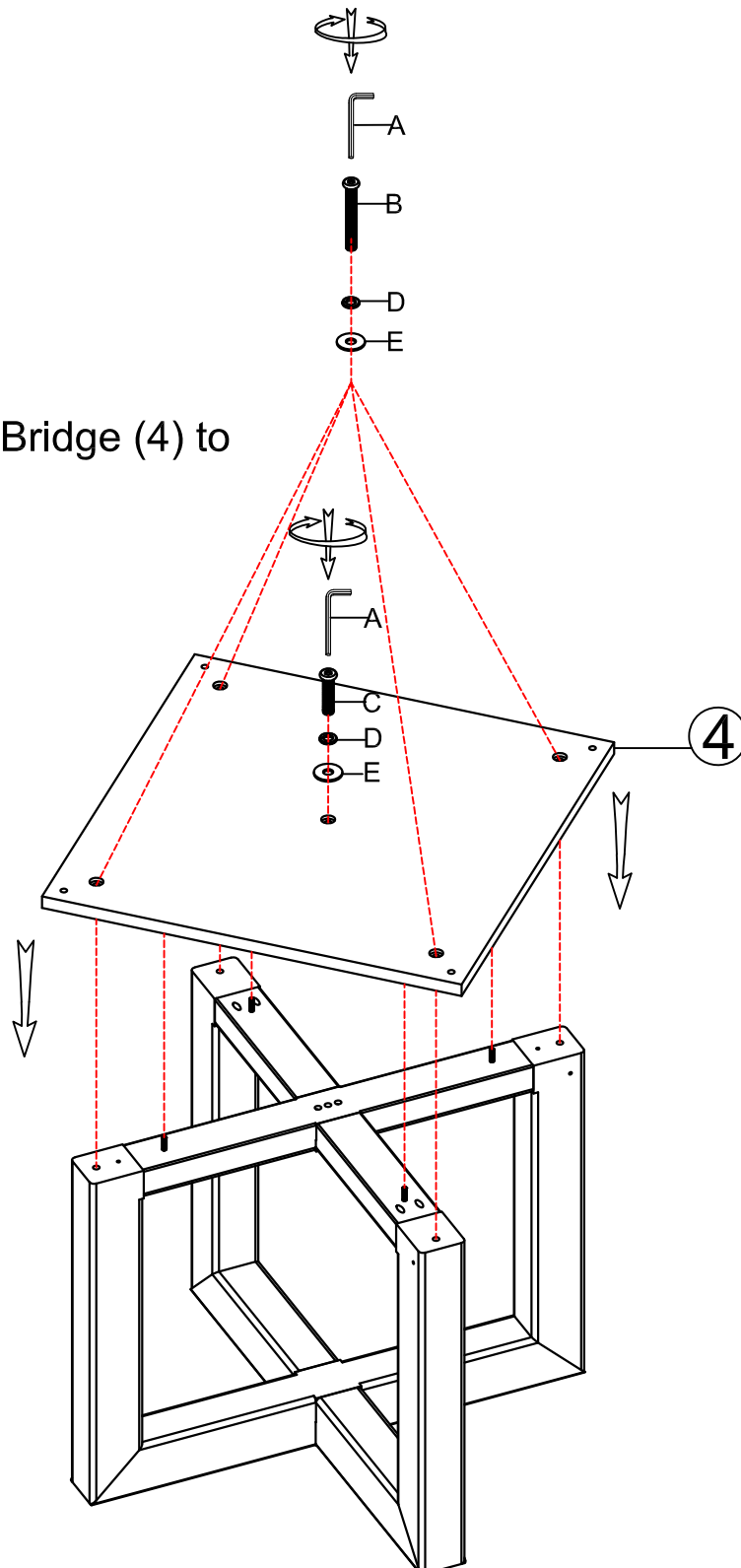
ASSEMBLY INSTRUCTION

ITEM: 6820-75203B-80 Round Dining Table Base
6820-75203B-85 Round Dining Table Base
6820-75203B-99 Round Dining Table Base
6820-75223T-80 60in Round Dining Table Top
6820-75223T-85 60in Round Dining Table Top
6820-75223T-99 60in Round Dining Table Top

Thank you for purchasing this quality product. Be sure to unpack carefully looking for small parts which may have come loose during shipment.

Read all instruction and study the drawing carefully before starting the assembly process.

STEP 3:
Attach Mounting Bridge (4) to
the base.

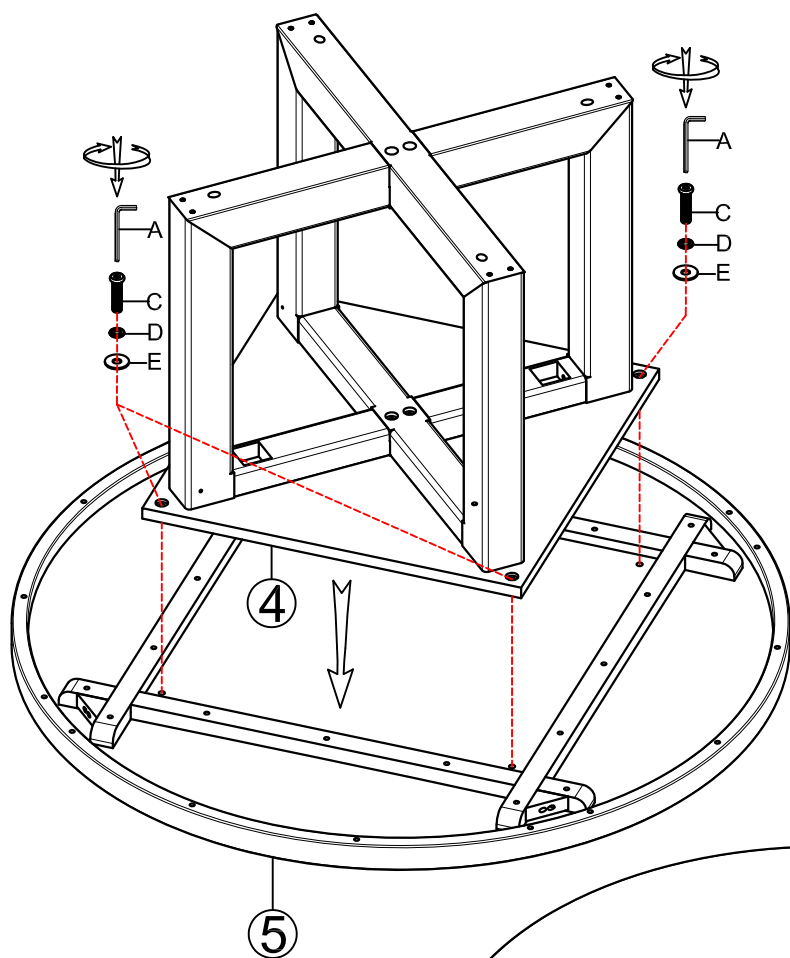


ASSEMBLY INSTRUCTION

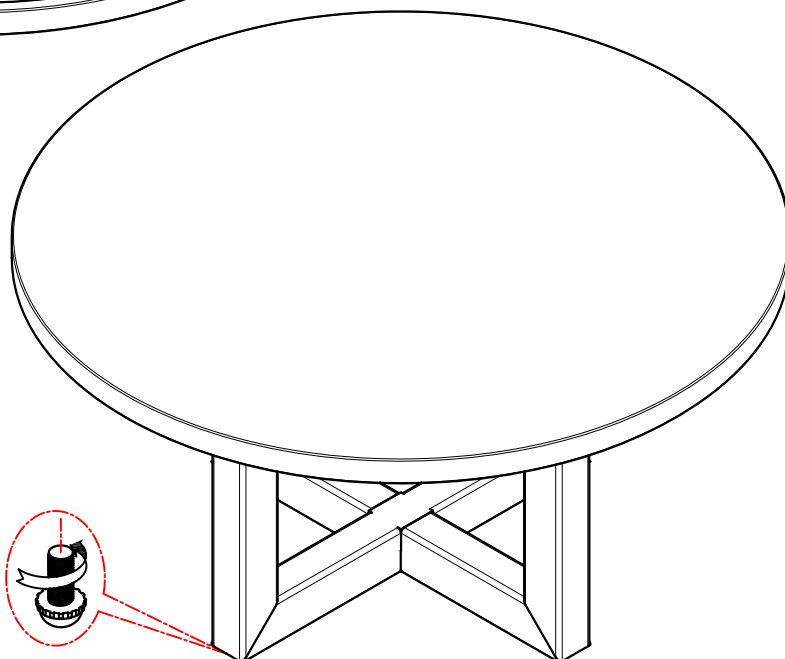
ITEM: 6820-75203B-80 Round Dining Table Base
6820-75203B-85 Round Dining Table Base
6820-75203B-99 Round Dining Table Base
6820-75223T-80 60in Round Dining Table Top
6820-75223T-85 60in Round Dining Table Top
6820-75223T-99 60in Round Dining Table Top

Thank you for purchasing this quality product. Be sure to unpack carefully looking for small parts which may have come loose during shipment.

Read all instruction and study the drawing carefully before starting the assembly process.



STEP 4:
Attach the complete base to
Top Panel (5).



Adjust leveler if needed to
level table on uneven floor.