



27" Electric Wall Oven/Microwave Combination

Microwave Combination Wall Oven

Available Products: FCWM2727AS, FCWM2727AB

Available Colors: Stainless Steel, Black

Version: 08/22

Product Specifications

Cooking Controls

Add A Min	Yes
Bake	Yes
Bake Time	Yes
Broil	Yes
Cancel	Yes
Clock	Yes
Convection Bake	Yes
Cook Time	Yes
Delay Start	Yes
Kitchen Timer	Yes
Light	Yes
Off	Yes
Oven Light	Yes
Preheat	Yes
Self Clean	Yes
Start	Yes
Temperature Display	Yes
Timer On / Off	Yes

Oven

Bake Element Type	Hidden
Bake Element Pass	8
Bake Element	2,500 Watts
Broil Element Pass	6
Broil Element	4,000 Watts
Cleaning System	Yes
Convection	Yes
Convection Type	Fan
Rack Position Type	Embossed
Number of Rack Positions	5
Rack Type 1	Flat
Rack Type 1 Quantity	2
Oven Interior Color	Midnight Black
Oven Light Type	Halogen
Oven Light Quantity	1
Oven Light Watts	40 Watts
Number of Convection Fans	1

Controls

Control Lock	Yes
Sabbath Mode	Yes

Cooking Controls Function

Change between Continuous Bake Setting or 12-Hour Energy Saving Feature	Yes
Program Fahrenheit or Celsius	Yes
Silent Control Panel	Yes

Microwave Cooking

Auto Cook	Yes
Sensor Cooking	Yes
Beverage	Yes
Popcorn	Yes
Potato	Yes
Melt / Soften	Yes
Veggies	Yes
Defrost	Yes
Reheat	Yes
Microwave Cooking Power	1100 Watts

Microwave Control Features

+ 30 Seconds	Yes
--------------	-----

Exterior

Door Swing	Side-Swing Door
------------	-----------------

Dimensions and Volume

Height	42 3/4"
Width	27"
Depth	25"
Depth With Door 90° Open	41 3/16"
Depth With Handle	27 7/16"
Oven Interior Height	17"
Oven Interior Width	20 1/2"
Oven Interior Depth	18 3/4"
Microwave Interior Height	10 1/2"
Microwave Interior Width	17 3/8"
Microwave Interior Depth	18 5/8"
Maximum Cutout Height	41 7/8"
Maximum Cutout Width	25 1/4"
Minimum Cutout Height	41 1/4"
Minimum Cutout Width	24 7/8"
Microwave Capacity	1.6 Cu. Ft.
Oven Capacity	3.8 Cu. Ft.

Display

Display Interface Color	White
Display Light Color	White
Display Type	Capacitive Touch
Control Location	Front

Internal Specifications

Interior Color	White
Interior Light Quantity	1
Interior Light Type	Halogen
Interior Light Wattage	40 Watts
Turntable Diameter	13 1/2"
Turntable Material	Glass

Electrical Specifications

Amps @ 240 Volts	40 Amps
Connected Load @ 240V	7.9 kW
Minimum Circuit Required	40 Amps
Voltage Rating	240 V

General Specifications

Prop 65 Label	Yes
Warranty - Labor	1 Year
Warranty - Parts	1 Year

Safety Certifications and Approvals

CSA Listed	Yes
UL Listed	Yes
RoHS	Yes

Installation

Power Supply Connection Location	Top Left
----------------------------------	----------

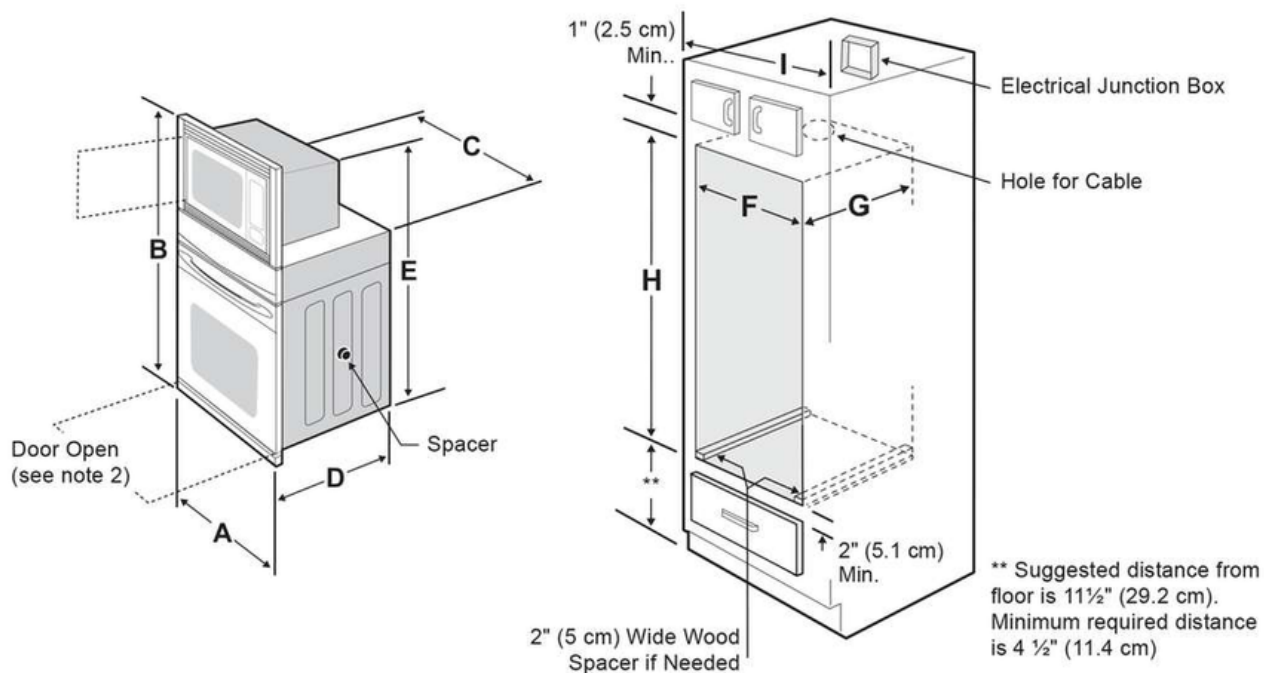
Certifications and Approvals

Star-K Certification	Yes
----------------------	-----

Accessories

Optional Trim Kit Part Number	WO27TRM3SS (Stainless), WO27TRM3BB (Black)
-------------------------------	--

Installation Diagram



NOTES:

1. Allow at least 21" (53.3cm) clearance in front of oven for door depth when it is open.
2. Dimension G (cutout depth) is critical to the proper installation of the built-in oven. If the oven decorative trim does not butt against the cabinet verify dimension G to assure it is the required depth.
3. For a cutout height greater than H maximum, add 2" (5 cm) wide wood shims of appropriate height to each side of the opening under the appliance side rails. You can order a larger bottom trim through a service center.
4. If the junction box is below the oven, longer conduit cables are available through a service center.

Figure 1: Product and Cutout Dimensions

PRODUCT DIMENSIONS					
A	B	C	D		E
27" (68.6 cm)	42 ³ / ₄ " (108.6 cm)	24 ⁵ / ₈ " (62.5 cm)	25" (63.5 cm)		41 ³ / ₁₆ " (104.6 cm)
CUTOUT DIMENSIONS AND CABINET WIDTH					
F		G Min.	H		I Min.
Min.	Max.		Min.	Max.	
24 ⁷ / ₈ " (63.2 cm)	25 ¹ / ₄ " (64.1 cm)	24" (61.0 cm)	41 ¹ / ₄ " (104.8 cm)	41 ⁷ / ₈ " (106.5 cm)	27 ¹ / ₈ " (68.9 cm)