

# GRACE FULL STORAGE BED

## OWNER'S MANUAL

VENDOR ITEM NO. :

PNRAL4BH / PNRAD4FS / PNRAD4RD / PNRADB - SNOWFALL

PNRBL4BH / PNRBD4FS / PNRBD4RD / PNRBDB - RAVEN

PNRCL4BH / PNRCD4FS / PNRCD4RD / PNRADB - DARK MOCHA

PNKXL4BH / PNKXD4FS / PNKXD4RD / PNKXDB - BLUEBERRY

PNKGL4BH / PNKGD4FS / PNKGD4RD / PNKGDB - ELEPHANT GREY



### ASSEMBLY PARTS LIST

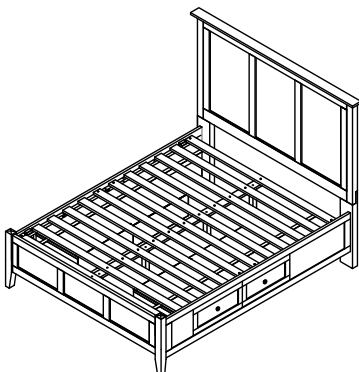
BOX 1 - HEADBOARD (SKU PNRAL4BH/PNRBL4BH/PNRCL4BH/PNKXL4BH/PNKGL4BH)				BOX 3 - STORAGE SIDE RAILS (SKU PNRAD4RD/PNRBD4RD/PNRCD4RD/PNKXD4RD/PNKGD4RD)			
PART NO.	IMAGE	DESCRIPTION	QUANTITY	PART NO.	IMAGE	DESCRIPTION	QUANTITY
A		HEADBOARD PANEL	1	F		LEFT SIDE RAIL	1
B		LEFT HEADBOARD LEG	1	G		RIGHT SIDE RAIL	1
C		RIGHT HEADBOARD LEG	1	H		CENTER SLAT	1
<b>HEADBOARD HARDWARE KIT PACKED IN BOX 1</b>				I		BED SUPPORT LEG	4
1		ALLEN BOLT (6X35mm)	8	<b>BOX 4 - STORAGE DRAWER BOX (SKU PNRADB/PNRBDB/PNRADB/PNKXDB/PNKGDB)</b>			
2		SPRING WASHER (M6)	8	J		STORAGE DRAWER BOX	2
3		FLAT WASHER (M6)	8	K		DRAWER BOX SUPPORT LEG	12
4		ALLEN KEY	1				
<b>BOX 2 - FOOTBOARD-SLAT ROLL (SKU PNRAD4FS/PNRBD4FS/PNRCD4FS/PNKXD4FS/PNKGD4FS)</b>							
D		FOOTBOARD	1				
E		SLAT ROLL	1				
<b>BED HARDWARE KIT PACKED IN BOX 2</b>							
5		PAN HEAD SCREW (6X15mm)	13				
6		WOOD SCREW (8x30mm)	9				
7		ALLEN KEY	1				
8		ALLEN BOLT (6X40mm)	19				



NOT PROVIDED

**ASSEMBLE ON A SOFT SURFACE**

GRACE STORAGE BED FULLY ASSEMBLED



UPDATED : MAY 3RD, 2023

# GRACE FULL STORAGE BED

## OWNER'S MANUAL



VENDOR ITEM NO. :

PNRAL4BH / PNRAD4FS / PNRAD4RD / PNRADB - SNOWFALL

PNRBL4BH / PNRBD4FS / PNRBD4RD / PNRBDB - RAVEN

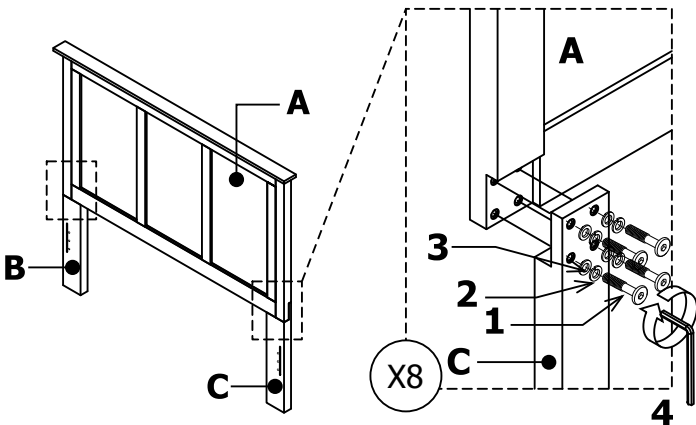
PNRCL4BH / PNRCD4FS / PNRCD4RD / PNRADB - DARK MOCHA

PNKXL4BH / PNKXD4FS / PNKXD4RD / PNKXDB - BLUEBERRY

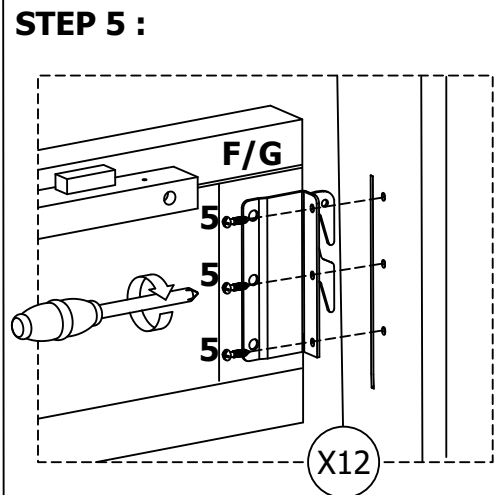
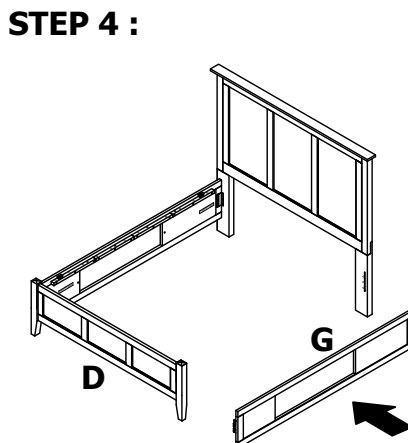
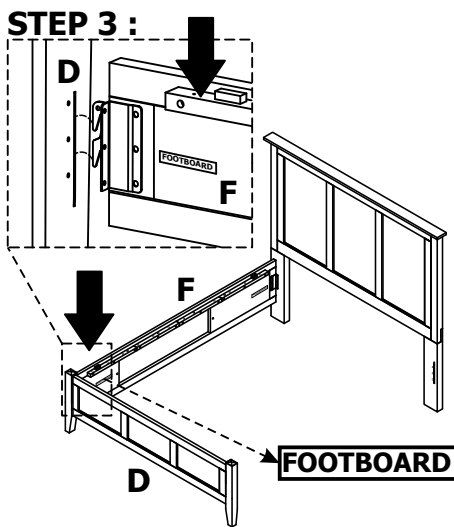
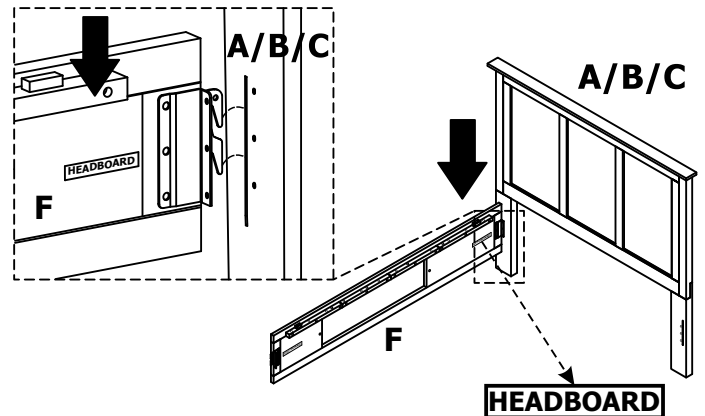
PNKGL4BH / PNKGD4FS / PNKGD4RD / PNKGDB - ELEPHANT GREY

### ASSEMBLY INSTRUCTIONS

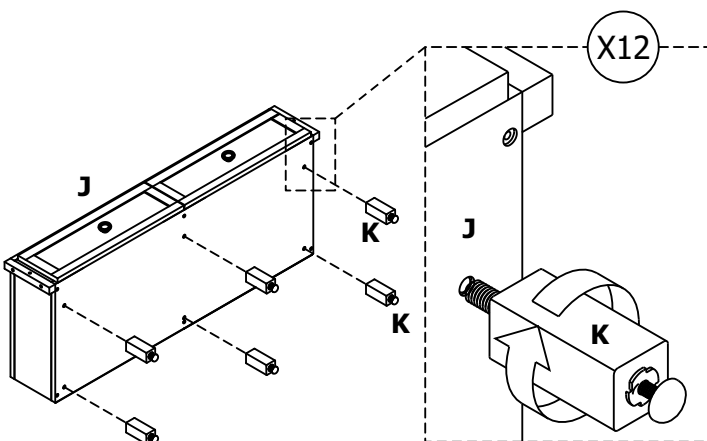
**STEP 1 :**  
USE HEADBOARD HARDWARE PACKED IN BOX 1 FOR STEP 1.



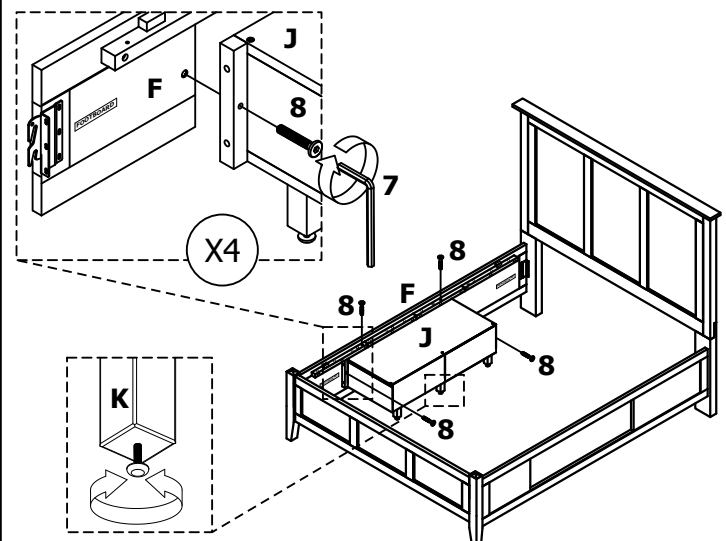
**STEP 2 :**  
USE HARDWARE PACKED IN BOX 2 FOR STEP 2 AND ALL REMAINING STEPS.



**STEP 6 :**  
REMOVE PLASTIC COVER FROM DRAWER BOX SUPPORT LEG (K) BOLT.



**STEP 7 :**



# GRACE FULL STORAGE BED

## OWNER'S MANUAL

VENDOR ITEM NO. :

PNRAL4BH / PNRAD4FS / PNRAD4RD / PNRADB - SNOWFALL

PNRBL4BH / PNRBD4FS / PNRBD4RD / PNRBDB - RAVEN

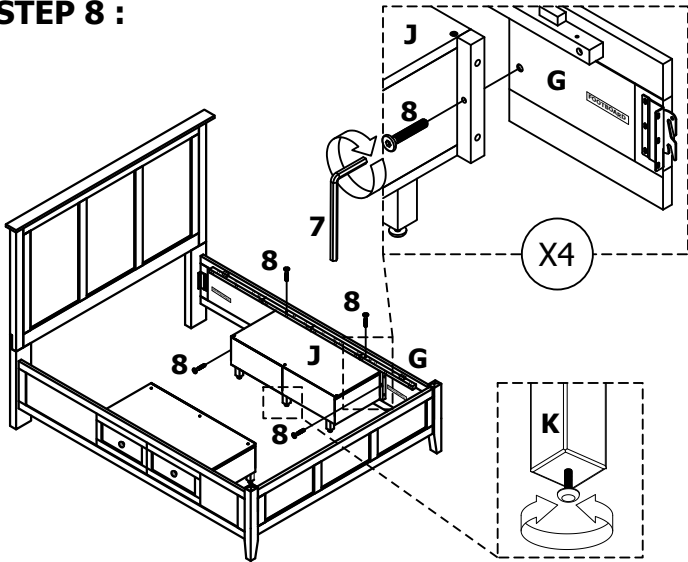
PNRCL4BH / PNRCD4FS / PNRCD4RD / PNRADB - DARK MOCHA

PNKXL4BH / PNKXD4FS / PNKXD4RD / PNKXDB - BLUEBERRY

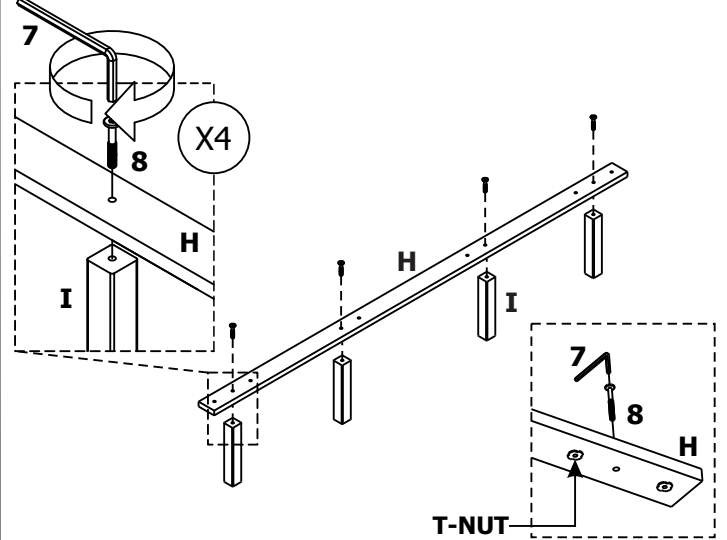
PNKGL4BH / PNKGD4FS / PNKGD4RD / PNKGDB - ELEPHANT GREY



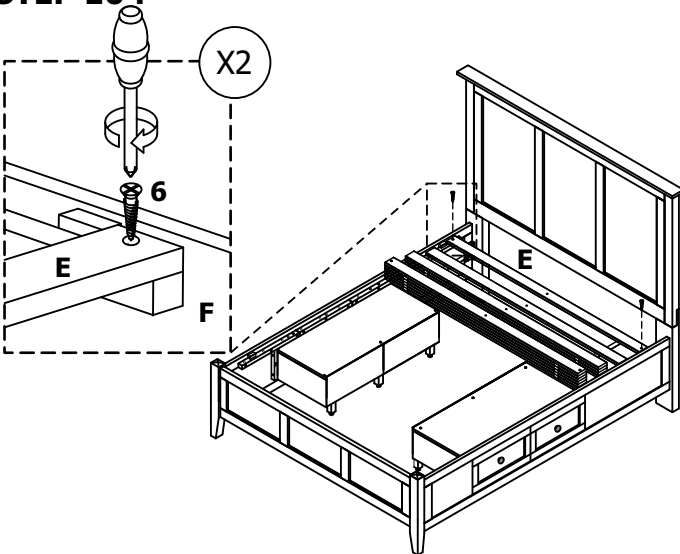
### STEP 8 :



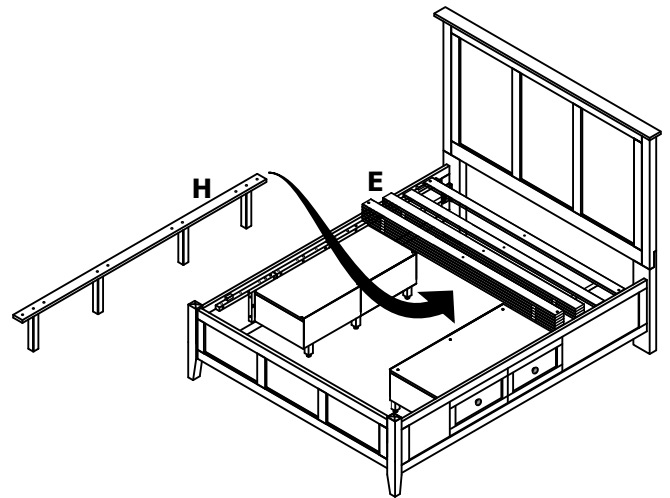
### STEP 9 :



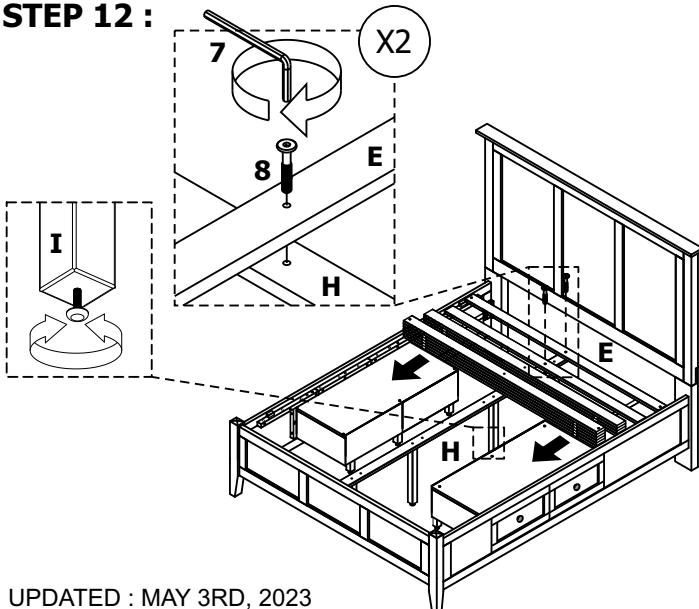
### STEP 10 :



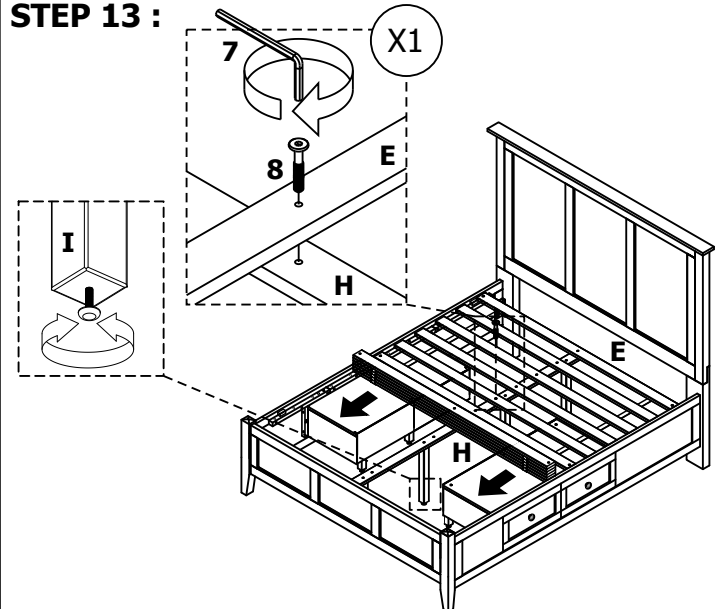
### STEP 11 :



### STEP 12 :



### STEP 13 :



# GRACE FULL STORAGE BED

## OWNER'S MANUAL

VENDOR ITEM NO. :

PNRAL4BH / PNRAD4FS / PNRAD4RD / PNRADB - SNOWFALL

PNRBL4BH / PNRBD4FS / PNRBD4RD / PNRBDB - RAVEN

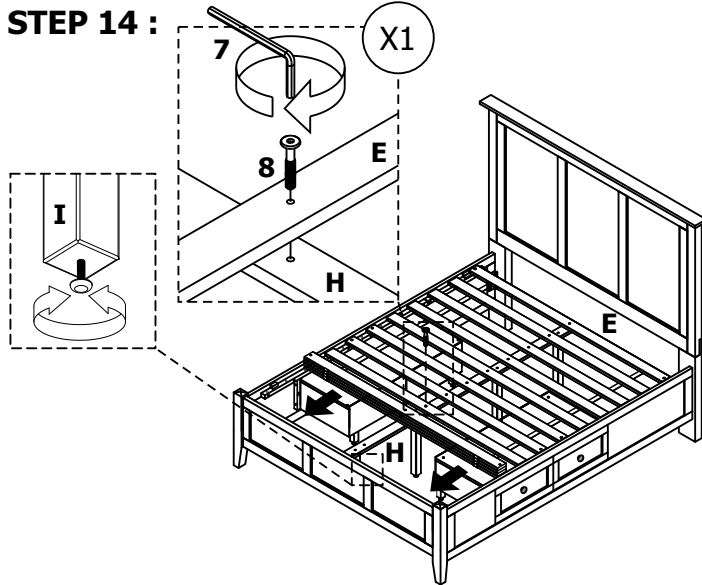
PNRCL4BH / PNRCD4FS / PNRCD4RD / PNRADB - DARK MOCHA

PNKXL4BH / PNKXD4FS / PNKXD4RD / PNKXDB - BLUEBERRY

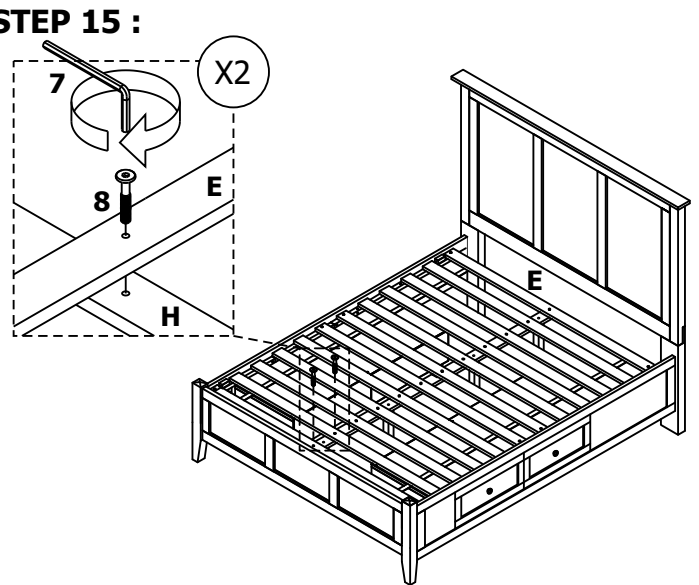
PNKGL4BH / PNKGD4FS / PNKGD4RD / PNKGDB - ELEPHANT GREY



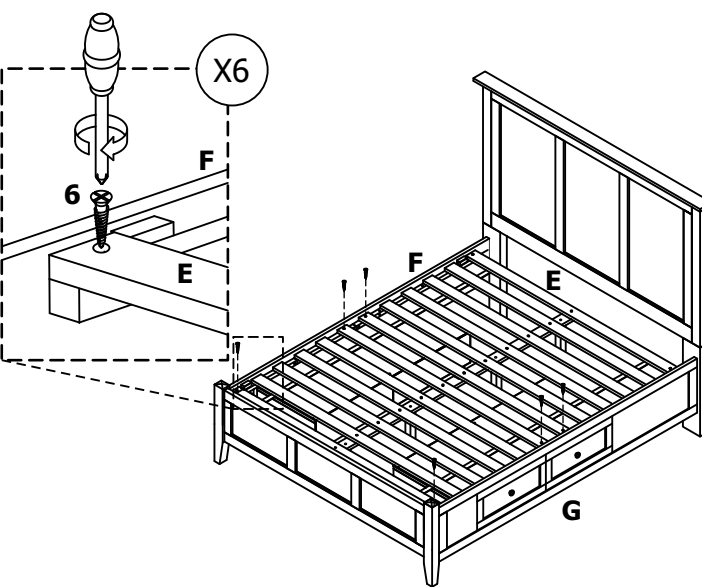
**STEP 14 :**



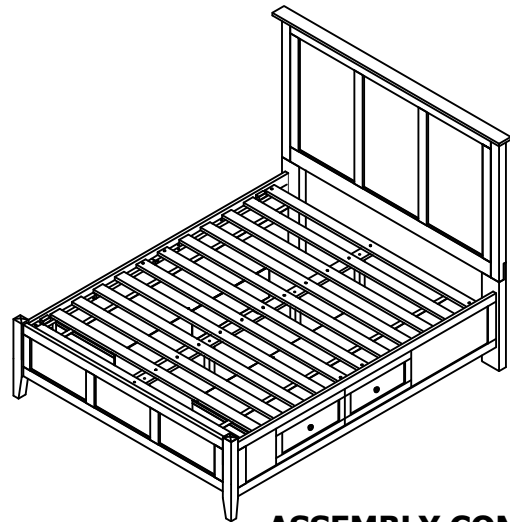
**STEP 15 :**



**STEP 16 :**



**STEP 17 :**



**ASSEMBLY COMPLETE**

# GRACE FULL STORAGE BED

## OWNER'S MANUAL



VENDOR ITEM NO. :

PNRAL4BH / PNRAD4FS / PNRAD4RD / PNRADB - SNOWFALL

PNRBL4BH / PNRBD4FS / PNRBD4RD / PNRBDB - RAVEN





PNRCL4BH / PNRCD4FS / PNRCD4RD / PNRADB - DARK MOCHA

PNKXL4BH / PNKXD4FS / PNKXD4RD / PNKXDB - BLUEBERRY



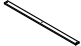
PNKGL4BH / PNKGD4FS / PNKGD4RD / PNKGDB - ELEPHANT GREY

### REPLACEABLE PARTS LIST




#### HEADBOARD - SNOWFALL, RAVEN, DARK MOCHA, BLUEBERRY, ELEPHANT GREY

DESCRIPTION	IMAGE	SKU
BOX 1 HARDWARE KIT		PNZZBPHWHB
FOOT CAP		PNZZCPFC
HEADBOARD LEFT LEG		PNRABPHBLL (Snowfall), PNRBBPHBLL (Raven), PNRCBPHBLL (Dark Mocha) PNKXBPHBLL (Blueberry), PNKGBPHBLL (Elephant Grey)
HEADBOARD RIGHT LEG		PNRABPHBLR (Snowfall), PNRBBPHBLR (Raven), PNRCBPHBLR (Dark Mocha) PNKXBPHBLR (Blueberry), PNKGBPHBLR (Elephant Grey)




#### FOOTBOARD/SLAT ROLL - SNOWFALL, RAVEN, DARK MOCHA, BLUEBERRY, ELEPHANT GREY

DESCRIPTION	IMAGE	SKU
BOX 2 HARDWARE KIT		PNZZBPHWST
FOOT CAP		PNZZCPFC
INDIVIDUAL SLAT		PNZZBPSL4

#### STORAGE SIDE RAILS - SNOWFALL, RAVEN, DARK MOCHA, BLUEBERRY, ELEPHANT GREY

DESCRIPTION	IMAGE	SKU
SIDE RAIL BRACKET SET/2		RPZZBPLBG
BED SUPPORT LEG		PNRABPLSST (Snowfall), PNRBBPLSST (Raven), PNRCBPLSST (Dark Mocha) PNKXBPLSST (Blueberry), PNKGBPLSST (Elephant Grey)
CENTER SLAT		PNZZBPCS4

#### STORAGE DRAWER BOX - SNOWFALL, RAVEN, DARK MOCHA, BLUEBERRY, ELEPHANT GREY

DESCRIPTION	IMAGE	SKU
KNOB		PNZZCPKB (Snowfall, Raven, Dark Mocha, Elephant Grey) PNZZCPKBSN (Blueberry)
BED DRAWER GLIDE SET		PNZZBPDG450
DRAWER BOX SUPPORT LEG		PNRABPDBSL (Snowfall), PNRBBPDBSL (Raven), PNRCBPDBSL (Dark Mocha) PNKXBPDBSL (Blueberry), PNKGBPDBSL (Elephant Grey)

# GRACE FULL STORAGE BED

## OWNER'S MANUAL

VENDOR ITEM NO. :

PNRAL4BH / PNRAD4FS / PNRAD4RD / PNRADB - SNOWFALL

PNRBL4BH / PNRBD4FS / PNRBD4RD / PNRBDB - RAVEN

PNRCL4BH / PNRCD4FS / PNRCD4RD / PNRADB - DARK MOCHA

PNKXL4BH / PNKXD4FS / PNKXD4RD / PNKXDB - BLUEBERRY

PNKGL4BH / PNKGD4FS / PNKGD4RD / PNKGDB - ELEPHANT GREY



### **WARNING:**

- Maximum distributed load capacity: 700 lbs.
- Standing or jumping on this product may result in damage or injury.

### **ROUTINE MAINTENANCE:**

Periodically check that support legs are in place and are applying equal upward pressure on the bed frame. To adjust support legs, turn levelers counterclockwise to extend, clockwise to retract.

Periodically check all fittings and tighten if necessary, as they can loosen over time.

Always remove box spring and mattress before moving the bed. Lift the bed when moving it. Dragging the bed can damage the center support. Readjust levelers after moving the bed.

### **CARE AND CLEANING:**

**WOOD FURNITURE:** Dust frequently with a clean, damp, lint-free cloth. Frequent dusting will remove abrasive build-up which can damage a finish over time. Avoid using oily polishes or waxes. Avoid exposing your furniture to strong sunlight. Prolonged exposure to direct sunlight can fade the finish of your furniture. Do not expose your furniture to any liquids. Never allow water to sit on your furniture. Do not place hot items on top of surface, always use a mat or other protector. Alcohol, nail polish and perfume are also dangerous, as they can dissolve the furniture finish on contact and may require professional repairs.



# GRACE QUEEN STORAGE BED

## OWNER'S MANUAL

VENDOR ITEM NO. :

PNRAL5BH / PNRAD5FS / PNRAD5RD / PNRADB - SNOWFALL

PNRBL5BH / PNRBD5FS / PNRBD5RD / PNRBDB - RAVEN

PNRCL5BH / PNRCD5FS / PNRCD5RD / PNRADB - DARK MOCHA

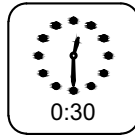
PNKXL5BH / PNKXD5FS / PNKXD5RD / PNKXDB - BLUEBERRY

PNKGL5BH / PNKGD5FS / PNKGD5RD / PNKGDB - ELEPHANT GREY



### ASSEMBLY PARTS LIST

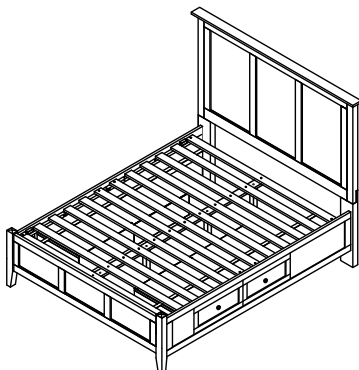
BOX 1 - HEADBOARD (SKU PNRAL5BH/PNRBL5BH/PNRCL5BH/PNKXL5BH/PNKGL5BH)				BOX 3 - STORAGE SIDE RAILS (SKU PNRAD5RD/PNRBD5RD/PNRCD5RD/PNKXD5RD/PNKGD5RD)			
PART NO.	IMAGE	DESCRIPTION	QUANTITY	PART NO.	IMAGE	DESCRIPTION	QUANTITY
A		HEADBOARD PANEL	1	F		LEFT SIDE RAIL	1
B		LEFT HEADBOARD LEG	1	G		RIGHT SIDE RAIL	1
C		RIGHT HEADBOARD LEG	1	H		CENTER SLAT	1
<b>HEADBOARD HARDWARE KIT PACKED IN BOX 1</b>				I		BED SUPPORT LEG	4
1		ALLEN BOLT (6X35mm)	8	<b>BOX 4 - STORAGE DRAWER BOX (SKU PNRADB/PNRBDB/PNRADB/PNKXDB/PNKGDDB)</b>			
2		SPRING WASHER (M6)	8	J		STORAGE DRAWER BOX	2
3		FLAT WASHER (M6)	8	K		DRAWER BOX SUPPORT LEG	12
4		ALLEN KEY	1				
<b>BOX 2 - FOOTBOARD-SLAT ROLL (SKU PNRAD5FS/PNRBD5FS/PNRCD5FS/PNKXD5FS/PNKGD5FS)</b>							
D		FOOTBOARD	1				
E		SLAT ROLL	1				
<b>BED HARDWARE KIT PACKED IN BOX 2</b>							
5		PAN HEAD SCREW (6X15mm)	13				
6		WOOD SCREW (8x30mm)	9				
7		ALLEN KEY	1				
8		ALLEN BOLT (6X40mm)	19				



NOT PROVIDED

**ASSEMBLE ON A SOFT SURFACE**

GRACE STORAGE BED FULLY ASSEMBLED



UPDATED : MAY 3RD, 2023

# GRACE QUEEN STORAGE BED

## OWNER'S MANUAL



VENDOR ITEM NO. :

PNRAL5BH / PNRAD5FS / PNRAD5RD / PNRADB - SNOWFALL

PNRBL5BH / PNRBD5FS / PNRBD5RD / PNRBDB - RAVEN

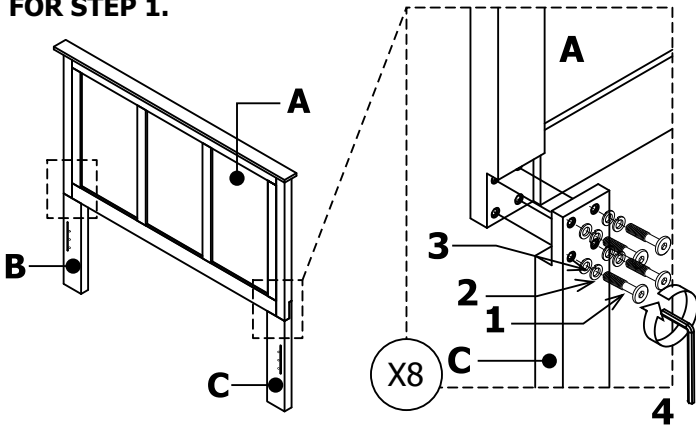
PNRCL5BH / PNRCD5FS / PNRCD5RD / PNRADB - DARK MOCHA

PNKXL5BH / PNKXD5FS / PNKXD5RD / PNKXDB - BLUEBERRY

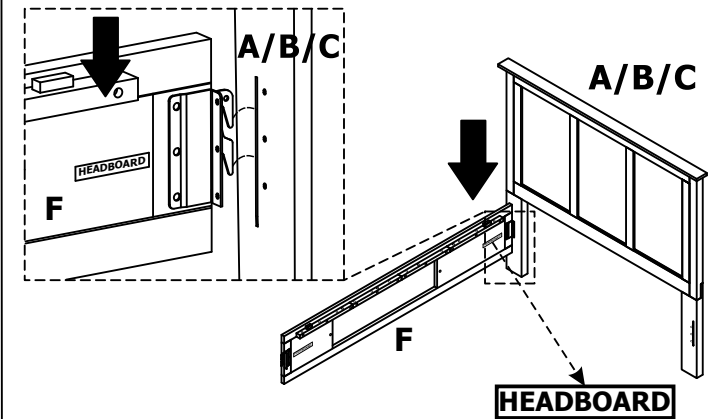
PNKGL5BH / PNKGD5FS / PNKGD5RD / PNKGDB - ELEPHANT GREY

### ASSEMBLY INSTRUCTIONS

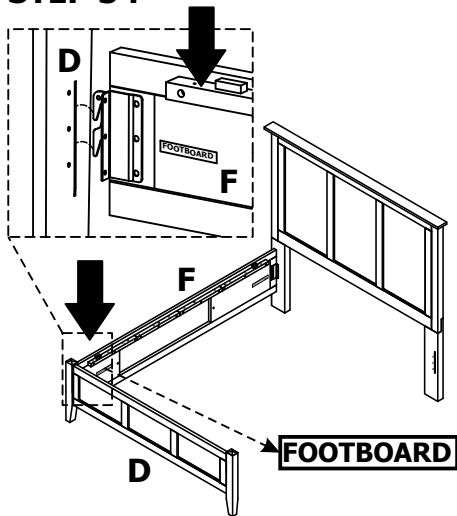
**STEP 1 :**  
USE HEADBOARD HARDWARE PACKED IN BOX 1 FOR STEP 1.



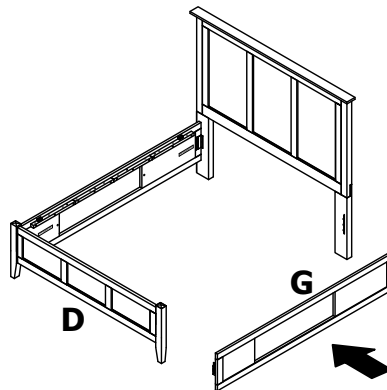
**STEP 2 :**  
USE HARDWARE PACKED IN BOX 2 FOR STEP 2 AND ALL REMAINING STEPS.



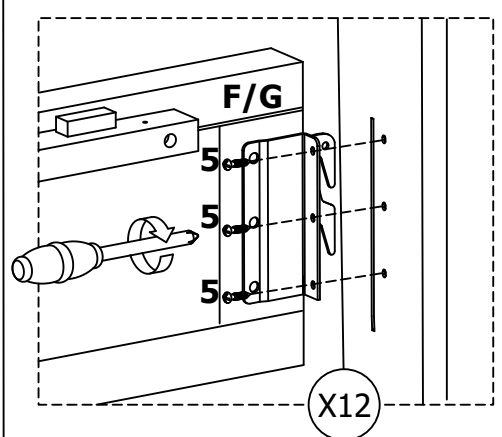
**STEP 3 :**



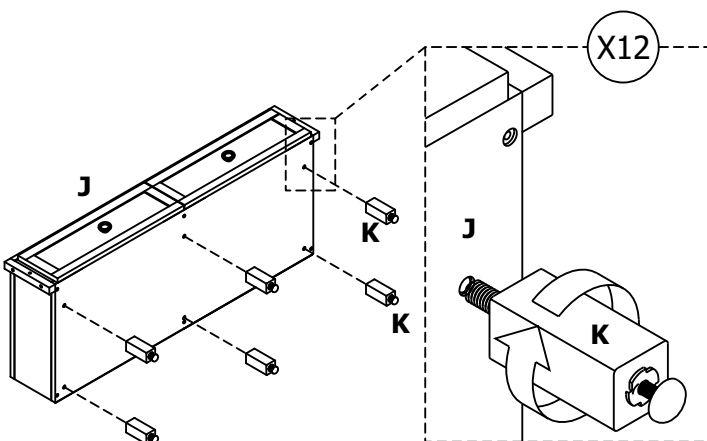
**STEP 4 :**



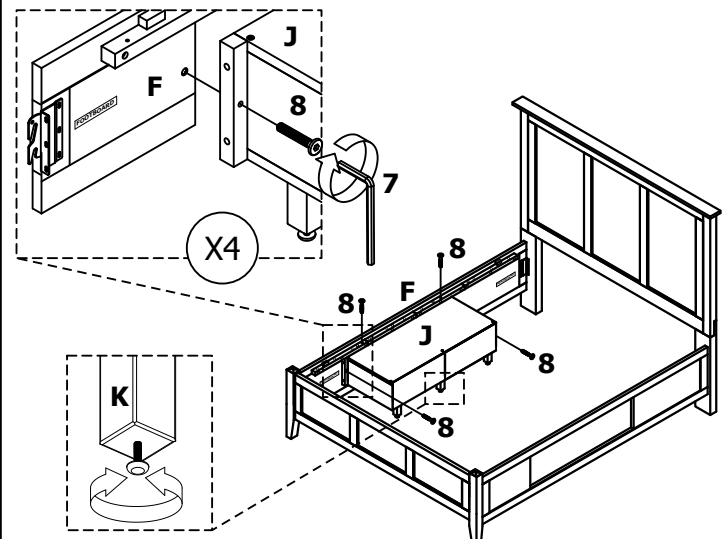
**STEP 5 :**



**STEP 6 :**  
REMOVE PLASTIC COVER FROM DRAWER BOX SUPPORT LEG (K) BOLT.



**STEP 7 :**





# GRACE QUEEN STORAGE BED

## OWNER'S MANUAL

VENDOR ITEM NO. :

PNRAL5BH / PNRAD5FS / PNRAD5RD / PNRADB - SNOWFALL

PNRBL5BH / PNRBD5FS / PNRBD5RD / PNRBDB - RAVEN

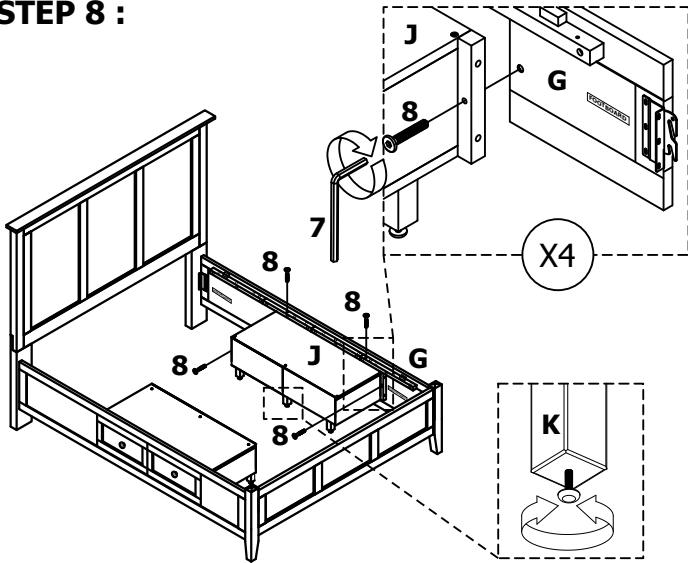
PNRCL5BH / PNRCD5FS / PNRCD5RD / PNRADB - DARK MOCHA

PNKXL5BH / PNKXD5FS / PNKXD5RD / PNKXDB - BLUEBERRY

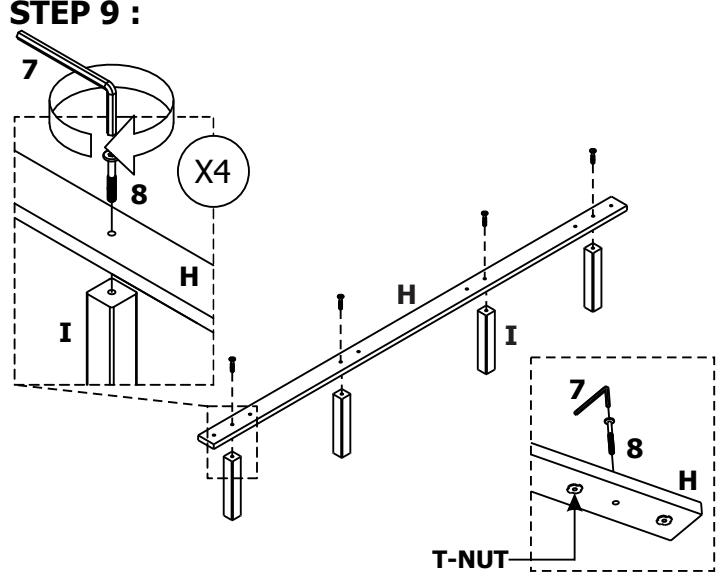
PNKGL5BH / PNKGD5FS / PNKGD5RD / PNKXDB - ELEPHANT GREY



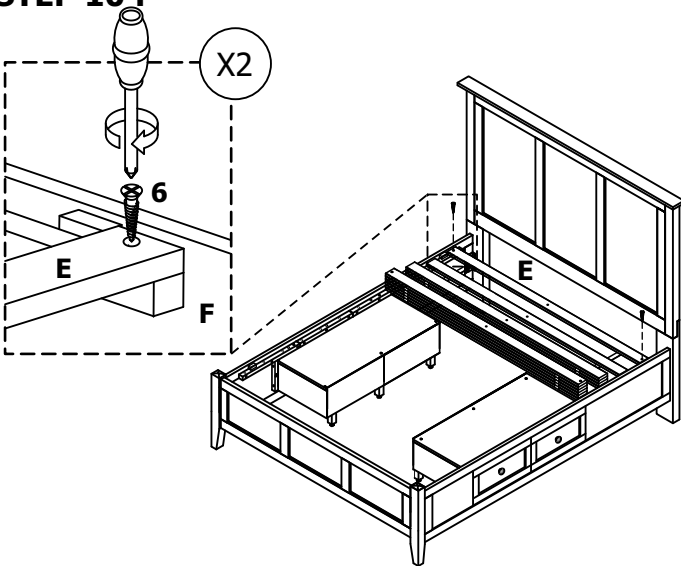
### STEP 8 :



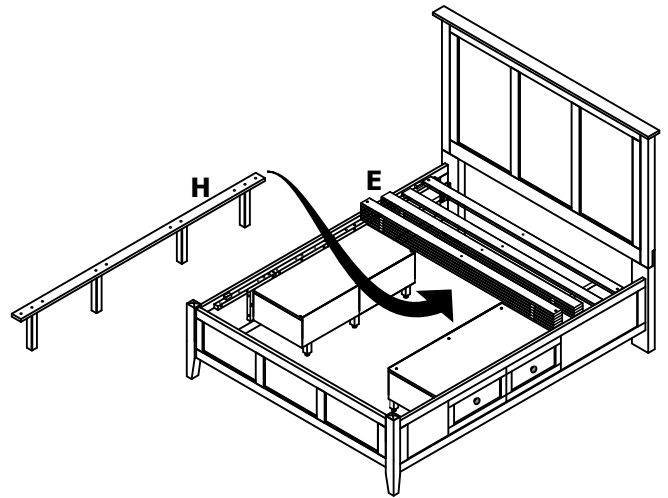
### STEP 9 :



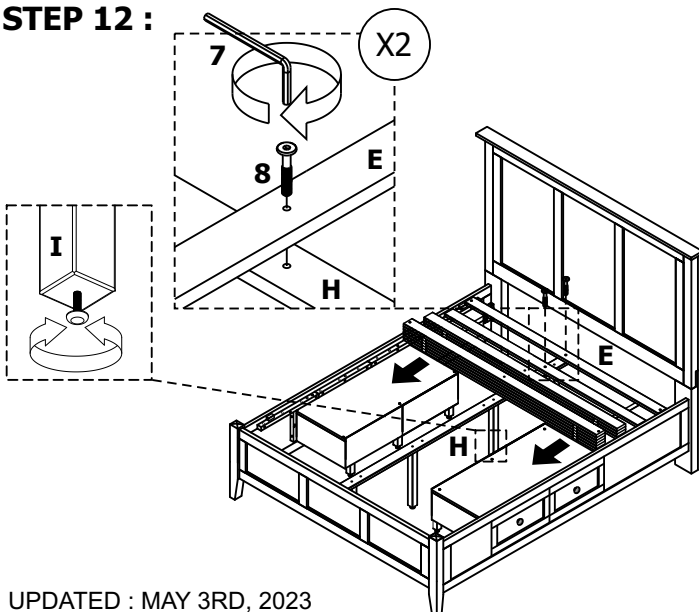
### STEP 10 :



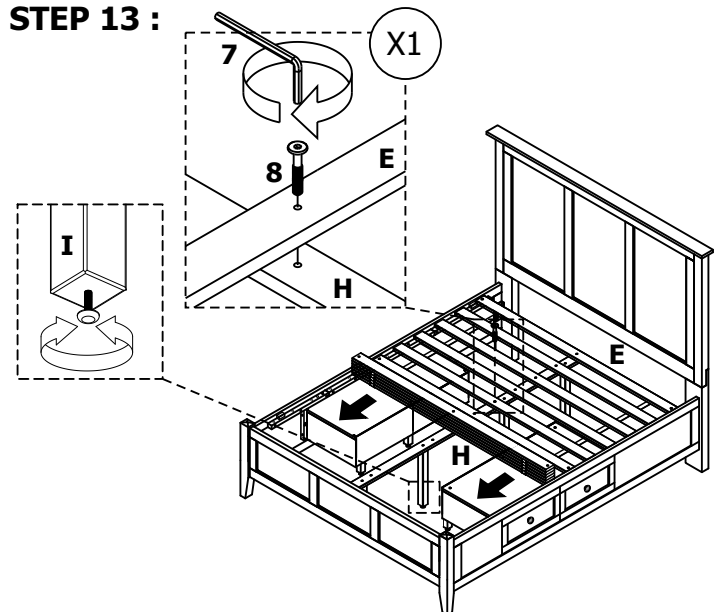
### STEP 11 :



### STEP 12 :



### STEP 13 :



UPDATED : MAY 3RD, 2023

# GRACE QUEEN STORAGE BED

## OWNER'S MANUAL

VENDOR ITEM NO. :

PNRAL5BH / PNRAD5FS / PNRAD5RD / PNRADB - SNOWFALL

PNRBL5BH / PNRBD5FS / PNRBD5RD / PNRBDB - RAVEN

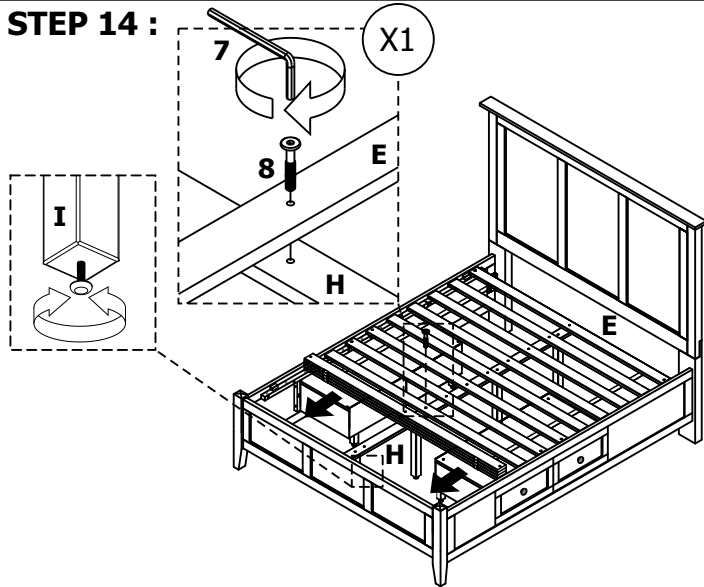
PNRCL5BH / PNRCD5FS / PNRCD5RD / PNRADB - DARK MOCHA

PNKXL5BH / PNKXD5FS / PNKXD5RD / PNKXDB - BLUEBERRY

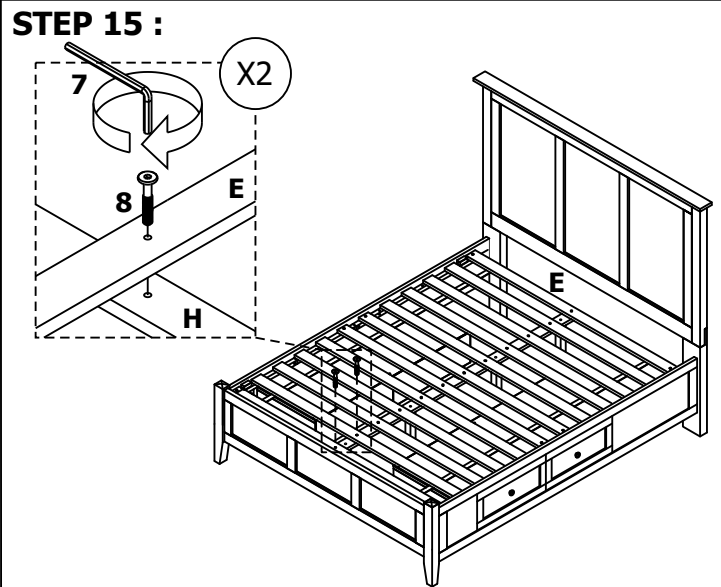
PNKGL5BH / PNKGD5FS / PNKGD5RD / PNKGDB - ELEPHANT GREY



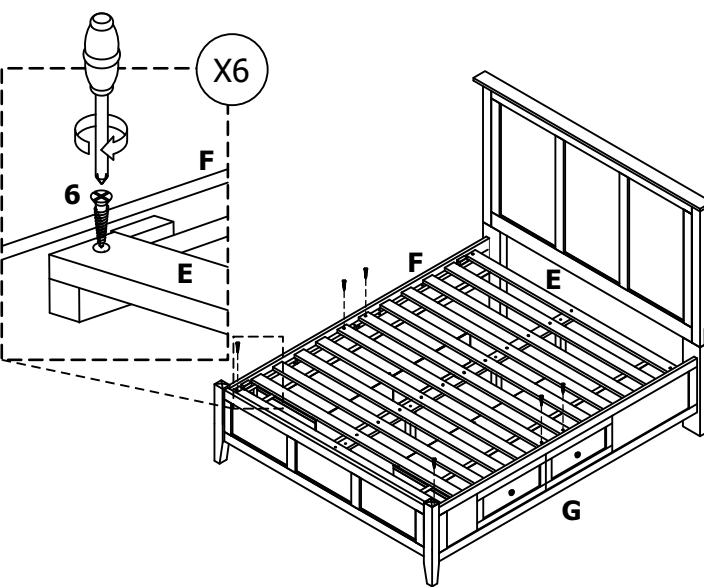
**STEP 14 :**



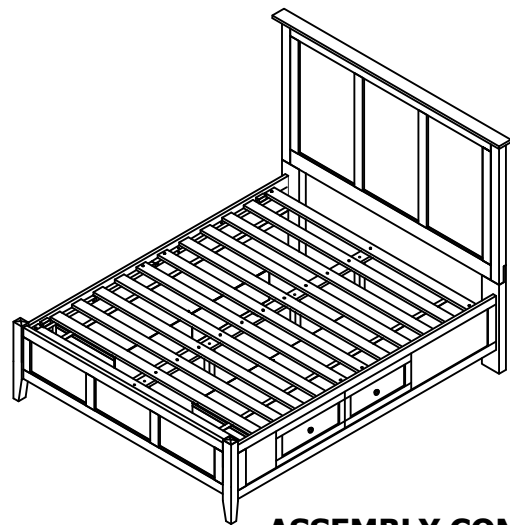
**STEP 15 :**



**STEP 16 :**



**STEP 17 :**



**ASSEMBLY COMPLETE**

# GRACE QUEEN STORAGE BED

## OWNER'S MANUAL



VENDOR ITEM NO. :

PNRAL5BH / PNRAD5FS / PNRAD5RD / PNRADB - SNOWFALL

PNRBL5BH / PNRBD5FS / PNRBD5RD / PNRBDB - RAVEN





PNRCL5BH / PNRCD5FS / PNRCD5RD / PNRADB - DARK MOCHA

PNKXL5BH / PNKXD5FS / PNKXD5RD / PNKXDB - BLUEBERRY

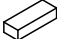

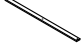
PNKGL5BH / PNKGD5FS / PNKGD5RD / PNKGDDB - ELEPHANT GREY

### REPLACEABLE PARTS LIST




#### HEADBOARD - SNOWFALL, RAVEN, DARK MOCHA, BLUEBERRY, ELEPHANT GREY

DESCRIPTION	IMAGE	SKU
BOX 1 HARDWARE KIT		PNZZBPHWHB
FOOT CAP		PNZZCPFC
HEADBOARD LEFT LEG		PNRABPHBLL (Snowfall), PNRBBPHBLL (Raven), PNRCBPHBLL (Dark Mocha) PNKXBPHBLL (Blueberry), PNKGBPHBLL (Elephant Grey)
HEADBOARD RIGHT LEG		PNRABPHBLR (Snowfall), PNRBBPHBLR (Raven), PNRCBPHBLR (Dark Mocha) PNKXBPHBLR (Blueberry), PNKGBPHBLR (Elephant Grey)




#### FOOTBOARD/SLAT ROLL - SNOWFALL, RAVEN, DARK MOCHA, BLUEBERRY, ELEPHANT GREY

DESCRIPTION	IMAGE	SKU
BOX 2 HARDWARE KIT		PNZZBPHWST
FOOT CAP		PNZZCPFC
INDIVIDUAL SLAT		PNZZBPSL5

#### STORAGE SIDE RAILS - SNOWFALL, RAVEN, DARK MOCHA, BLUEBERRY, ELEPHANT GREY

DESCRIPTION	IMAGE	SKU
SIDE RAIL BRACKET SET/2		RPZZBPLBG
BED SUPPORT LEG		PNRABPLSST (Snowfall), PNRBBPLSST (Raven), PNRCBPLSST (Dark Mocha) PNKXBPLSST (Blueberry), PNKGBPLSST (Elephant Grey)
CENTER SLAT		PNZZBPCS57

#### STORAGE DRAWER BOX - SNOWFALL, RAVEN, DARK MOCHA, BLUEBERRY, ELEPHANT GREY

DESCRIPTION	IMAGE	SKU
KNOB		PNZZCPKB (Snowfall, Raven, Dark Mocha, Elephant Grey) PNZZCPKBSN (Blueberry)
BED DRAWER GLIDE SET		PNZZBPDG450
DRAWER BOX SUPPORT LEG		PNRABPDBSL (Snowfall), PNRBBPDBSL (Raven), PNRCBPDBSL (Dark Mocha) PNKXBPDBSL (Blueberry), PNKGBPDBSL (Elephant Grey)

# GRACE QUEEN STORAGE BED

## OWNER'S MANUAL



VENDOR ITEM NO. :

PNRAL5BH / PNRAD5FS / PNRAD5RD / PNRADB - SNOWFALL

PNRBL5BH / PNRBD5FS / PNRBD5RD / PNRBDB - RAVEN

PNRCL5BH / PNRCD5FS / PNRCD5RD / PNRADB - DARK MOCHA

PNKXL5BH / PNKXD5FS / PNKXD5RD / PNKXDB - BLUEBERRY

PNKGL5BH / PNKGD5FS / PNKGD5RD / PNKGDB - ELEPHANT GREY



### **WARNING:**

- Maximum distributed load capacity: 800 lbs.
- Standing or jumping on this product may result in damage or injury.

### **ROUTINE MAINTENANCE:**

Periodically check that support legs are in place and are applying equal upward pressure on the bed frame. To adjust support legs, turn levelers counterclockwise to extend, clockwise to retract.

Periodically check all fittings and tighten if necessary, as they can loosen over time.

Always remove box spring and mattress before moving the bed. Lift the bed when moving it. Dragging the bed can damage the center support. Readjust levelers after moving the bed.

### **CARE AND CLEANING:**

**WOOD FURNITURE:** Dust frequently with a clean, damp, lint-free cloth. Frequent dusting will remove abrasive build-up which can damage a finish over time. Avoid using oily polishes or waxes. Avoid exposing your furniture to strong sunlight. Prolonged exposure to direct sunlight can fade the finish of your furniture. Do not expose your furniture to any liquids. Never allow water to sit on your furniture. Do not place hot items on top of surface, always use a mat or other protector. Alcohol, nail polish and perfume are also dangerous, as they can dissolve the furniture finish on contact and may require professional repairs.

# GRACE C.KING STORAGE BED

## OWNER'S MANUAL

VENDOR ITEM NO. :

PNRAL6BH / PNRAD6FS / PNRAD6RD / PNRADB - SNOWFALL

PNRBL6BH / PNRBD6FS / PNRBD6RD / PNRBDB - RAVEN

PNRCL6BH / PNRCD6FS / PNRCD6RD / PNRADB - DARK MOCHA

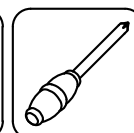
PNKXL6BH / PNKXD6FS / PNKXD6RD / PNKXDB - BLUEBERRY

PNKGL6BH / PNKGD6FS / PNKGD6RD / PNKGDB - ELEPHANT GREY



### ASSEMBLY PARTS LIST

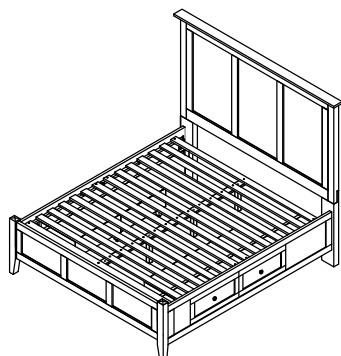
BOX 1 - HEADBOARD (SKU PNRAL6BH/PNRBL6BH/PNRCL6BH/PNKXL6BH/PNKGL6BH)				BOX 3 - STORAGE SIDE RAILS (SKU PNRAD6RD/PNRBD6RD/PNRCD6RD/PNKXD6RD/PNKGD6RD)			
PART NO.	IMAGE	DESCRIPTION	QUANTITY	PART NO.	IMAGE	DESCRIPTION	QUANTITY
A		HEADBOARD PANEL	1	F		LEFT SIDE RAIL	1
B		LEFT HEADBOARD LEG	1	G		RIGHT SIDE RAIL	1
C		RIGHT HEADBOARD LEG	1	H		CENTER SLAT	1
<b>HEADBOARD HARDWARE KIT PACKED IN BOX 1</b>				<b>BOX 4 - STORAGE DRAWER BOX (SKU PNRADB/PNRBDB/PNRADB/PNKXDB/PNKGDB)</b>			
1		ALLEN BOLT (6X35mm)	8	J		STORAGE DRAWER BOX	2
2		SPRING WASHER (M6)	8	K		DRAWER BOX SUPPORT LEG	12
3		FLAT WASHER (M6)	8				
4		ALLEN KEY	1				
<b>BOX 2 - FOOTBOARD-SLAT ROLL (SKU PNRAD6FS/PNRBD6FS/PNRCD6FS/PNKXD6FS/PNKGD6FS)</b>							
D		FOOTBOARD	1				
E		SLAT ROLL	1				
<b>BED HARDWARE KIT PACKED IN BOX 2</b>							
5		PAN HEAD SCREW (6X15mm)	13				
6		WOOD SCREW (8x30mm)	9				
7		ALLEN KEY	1				
8		ALLEN BOLT (6X40mm)	19				



NOT PROVIDED

**ASSEMBLE ON A SOFT SURFACE**

GRACE STORAGE BED FULLY ASSEMBLED



UPDATED : MAY 3RD, 2023

# GRACE C.KING STORAGE BED

## OWNER'S MANUAL



VENDOR ITEM NO. :

PNRAL6BH / PNRAD6FS / PNRAD6RD / PNRADB - SNOWFALL

PNRBL6BH / PNRBD6FS / PNRBD6RD / PNRBDB - RAVEN

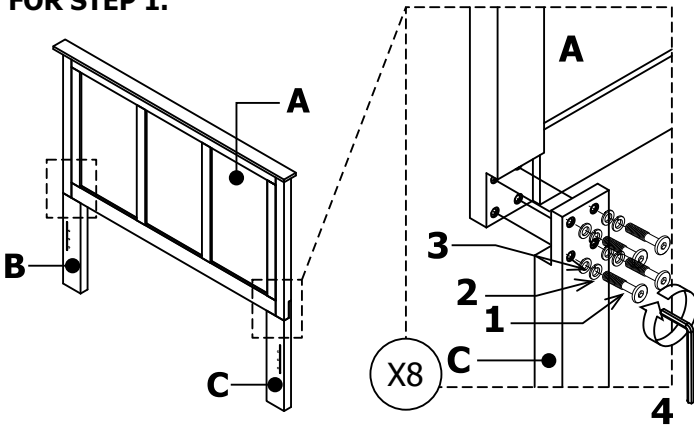
PNRCL6BH / PNRCD6FS / PNRCD6RD / PNRADB - DARK MOCHA

PNKXL6BH / PNKXD6FS / PNKXD6RD / PNKXDB - BLUEBERRY

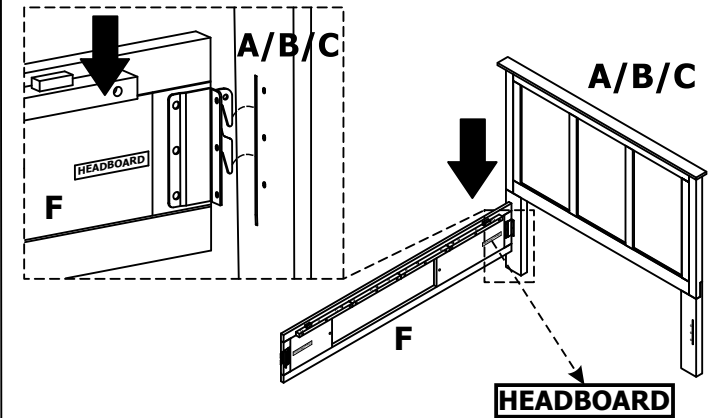
PNKGL6BH / PNKGD6FS / PNKGD6RD / PNKGDB - ELEPHANT GREY

### ASSEMBLY INSTRUCTIONS

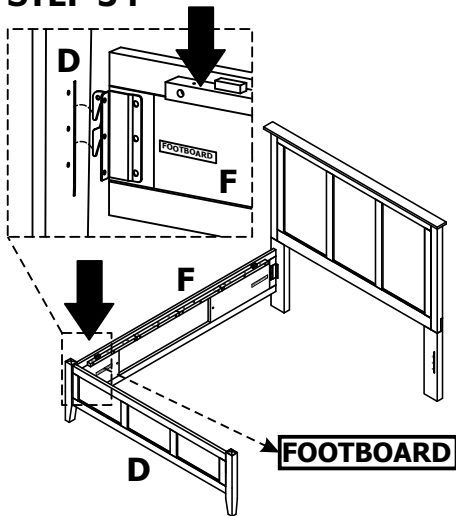
**STEP 1 :**  
USE HEADBOARD HARDWARE PACKED IN BOX 1 FOR STEP 1.



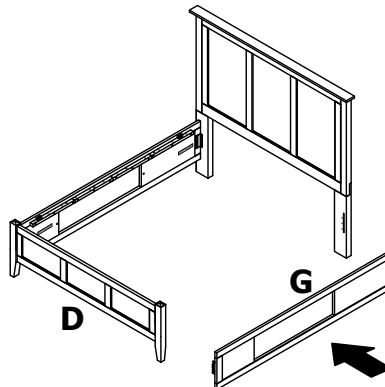
**STEP 2 :**  
USE HARDWARE PACKED IN BOX 2 FOR STEP 2 AND ALL REMAINING STEPS.



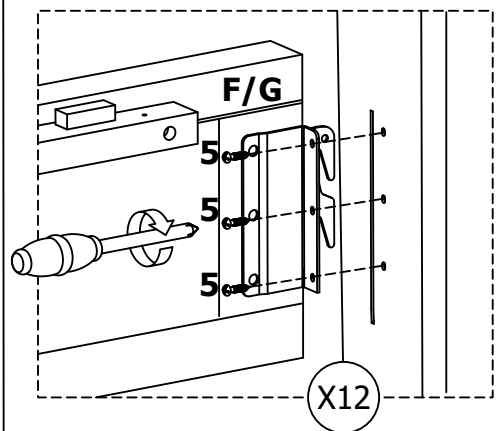
**STEP 3 :**



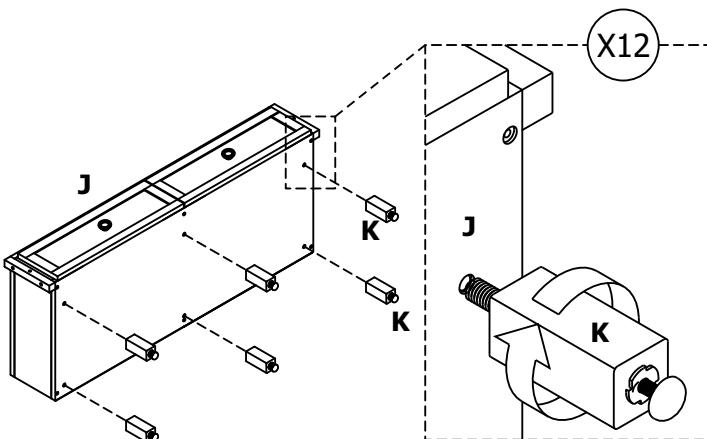
**STEP 4 :**



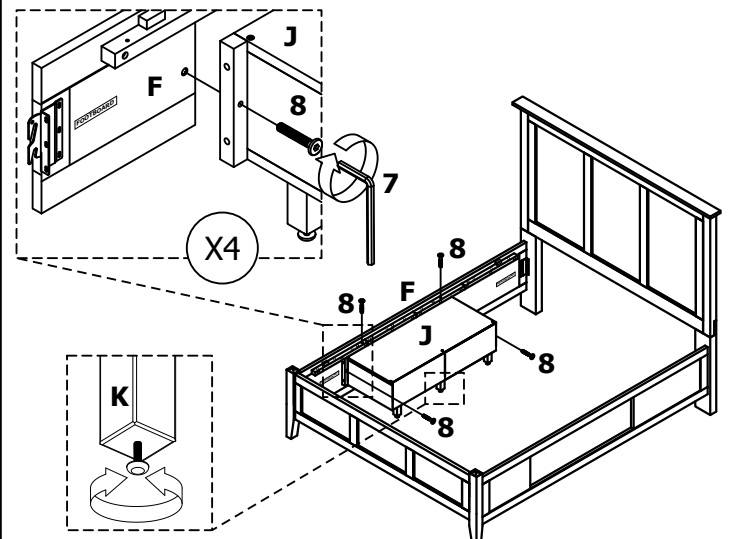
**STEP 5 :**



**STEP 6 :**  
REMOVE PLASTIC COVER FROM DRAWER BOX SUPPORT LEG (K) BOLT.



**STEP 7 :**







# GRACE C.KING STORAGE BED

## OWNER'S MANUAL



VENDOR ITEM NO. :

PNRAL6BH / PNRAD6FS / PNRAD6RD / PNRADB - SNOWFALL

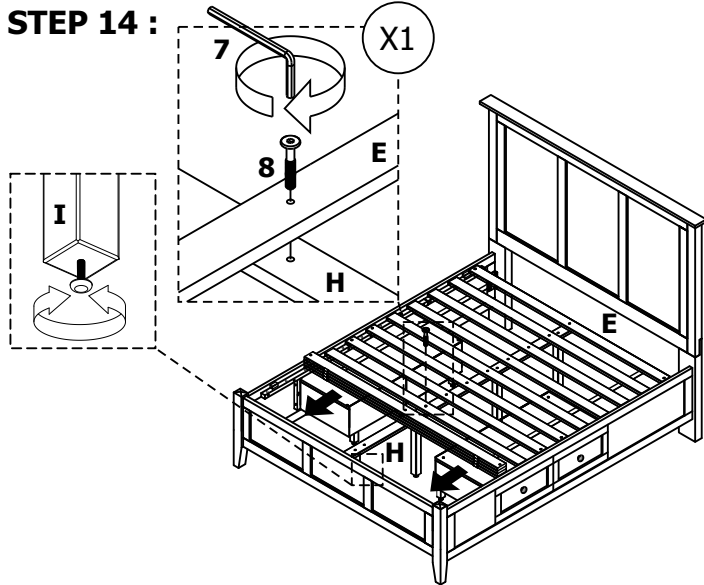
PNRBL6BH / PNRBD6FS / PNRBD6RD / PNRBDB - RAVEN

PNRCL6BH / PNRCD6FS / PNRCD6RD / PNRADB - DARK MOCHA

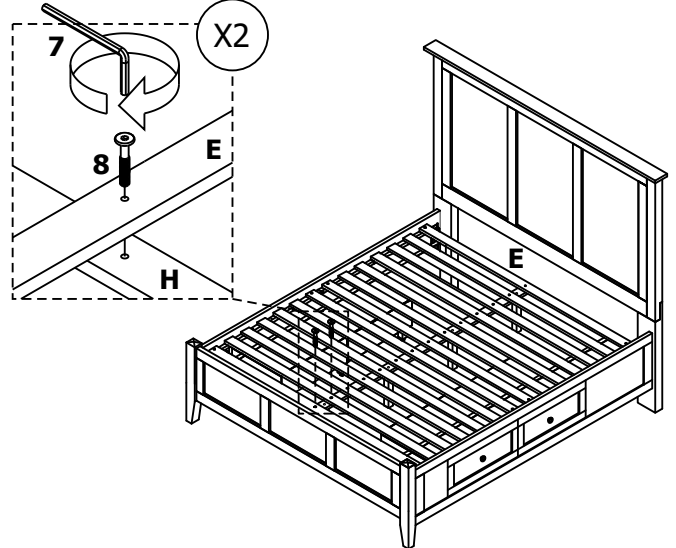
PNKXL6BH / PNKXD6FS / PNKXD6RD / PNKXDB - BLUEBERRY

PNKGL6BH / PNKGD6FS / PNKGD6RD / PNKGDB - ELEPHANT GREY

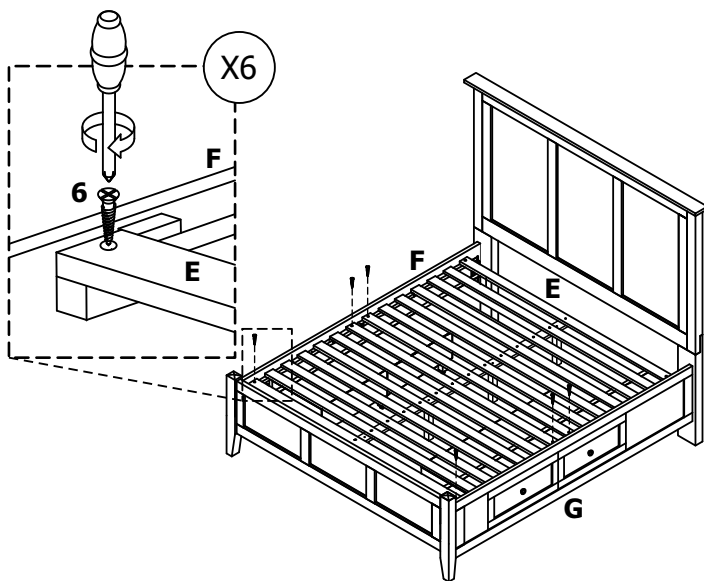
**STEP 14 :**



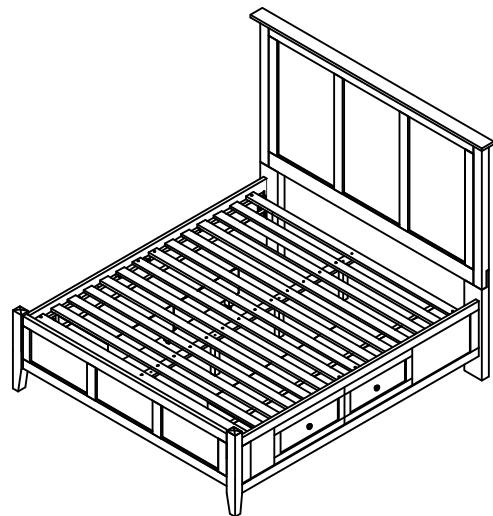
**STEP 15 :**



**STEP 16 :**



**STEP 17 :**



**ASSEMBLY COMPLETE**

# GRACE C.KING STORAGE BED

## OWNER'S MANUAL

VENDOR ITEM NO. :

PNRAL6BH / PNRAD6FS / PNRAD6RD / PNRADB - SNOWFALL

PNRBL6BH / PNRBD6FS / PNRBD6RD / PNRBDB - RAVEN

PNRCL6BH / PNRCD6FS / PNRCD6RD / PNRADB - DARK MOCHA





PNKXL6BH / PNKXD6FS / PNKXD6RD / PNKXDB - BLUEBERRY

PNKGL6BH / PNKGD6FS / PNKGD6RD / PNKGDB - ELEPHANT GREY



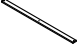


### REPLACEABLE PARTS LIST




#### HEADBOARD - SNOWFALL, RAVEN, DARK MOCHA, BLUEBERRY, ELEPHANT GREY

DESCRIPTION	IMAGE	SKU
BOX 1 HARDWARE KIT		PNZZBPHWHB
FOOT CAP		PNZZCPFC
HEADBOARD LEFT LEG		PNRABPHBLL (Snowfall), PNRBBPHBLL (Raven), PNRCBPHBLL (Dark Mocha) PNKXBPHBLL (Blueberry), PNKGBPHBLL (Elephant Grey)
HEADBOARD RIGHT LEG		PNRABPHBLR (Snowfall), PNRBBPHBLR (Raven), PNRCBPHBLR (Dark Mocha) PNKXBPHBLR (Blueberry), PNKGBPHBLR (Elephant Grey)




#### FOOTBOARD/SLAT ROLL - SNOWFALL, RAVEN, DARK MOCHA, BLUEBERRY, ELEPHANT GREY

DESCRIPTION	IMAGE	SKU
BOX 2 HARDWARE KIT		PNZZBPHWST
FOOT CAP		PNZZCPFC
INDIVIDUAL SLAT		PNZZBPSL6

#### STORAGE SIDE RAILS - SNOWFALL, RAVEN, DARK MOCHA, BLUEBERRY, ELEPHANT GREY

DESCRIPTION	IMAGE	SKU
SIDE RAIL BRACKET SET/2		RPZZBPLBG
BED SUPPORT LEG		PNRABPLSST (Snowfall), PNRBBPLSST (Raven), PNRCBPLSST (Dark Mocha) PNKXBPLSST (Blueberry), PNKGBPLSST (Elephant Grey)
CENTER SLAT		PNZZBPCS6

#### STORAGE DRAWER BOX - SNOWFALL, RAVEN, DARK MOCHA, BLUEBERRY, ELEPHANT GREY

DESCRIPTION	IMAGE	SKU
KNOB		PNZZCPKB (Snowfall, Raven, Dark Mocha, Elephant Grey) PNZZCPKBSN (Blueberry)
BED DRAWER GLIDE SET		PNZZBPDG450
DRAWER BOX SUPPORT LEG		PNRABPDBSL (Snowfall), PNRBBPDBSL (Raven), PNRCBPDBSL (Dark Mocha) PNKXBPDBSL (Blueberry), PNKGBPDBSL (Elephant Grey)

# GRACE C.KING STORAGE BED

## OWNER'S MANUAL



VENDOR ITEM NO. :

PNRAL6BH / PNRAD6FS / PNRAD6RD / PNRADB - SNOWFALL

PNRBL6BH / PNRBD6FS / PNRBD6RD / PNRBDB - RAVEN

PNRCL6BH / PNRCD6FS / PNRCD6RD / PNRADB - DARK MOCHA

PNKXL6BH / PNKXD6FS / PNKXD6RD / PNKXDB - BLUEBERRY

PNKGL6BH / PNKGD6FS / PNKGD6RD / PNKGDB - ELEPHANT GREY



### **WARNING:**

- Maximum distributed load capacity: 800 lbs.
- Standing or jumping on this product may result in damage or injury.

### **ROUTINE MAINTENANCE:**

Periodically check that support legs are in place and are applying equal upward pressure on the bed frame. To adjust support legs, turn levelers counterclockwise to extend, clockwise to retract.

Periodically check all fittings and tighten if necessary, as they can loosen over time.

Always remove box spring and mattress before moving the bed. Lift the bed when moving it. Dragging the bed can damage the center support. Readjust levelers after moving the bed.

### **CARE AND CLEANING:**

**WOOD FURNITURE:** Dust frequently with a clean, damp, lint-free cloth. Frequent dusting will remove abrasive build-up which can damage a finish over time. Avoid using oily polishes or waxes. Avoid exposing your furniture to strong sunlight. Prolonged exposure to direct sunlight can fade the finish of your furniture. Do not expose your furniture to any liquids. Never allow water to sit on your furniture. Do not place hot items on top of surface, always use a mat or other protector. Alcohol, nail polish and perfume are also dangerous, as they can dissolve the furniture finish on contact and may require professional repairs.

# GRACE E.KING STORAGE BED

## OWNER'S MANUAL

VENDOR ITEM NO. :

PNRAL7BH / PNRAD7FS / PNRAD5RD / PNRADB - SNOWFALL

PNRBL7BH / PNRBD7FS / PNRBD5RD / PNRBDB - RAVEN

PNRCL7BH / PNRCD7FS / PNRCD5RD / PNRADB - DARK MOCHA

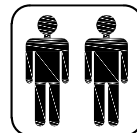
PNKXL7BH / PNKXD7FS / PNKXD5RD / PNKXDB - BLUEBERRY

PNKGL7BH / PNKGD7FS / PNKGD5RD / PNKGDB - ELEPHANT GREY



### ASSEMBLY PARTS LIST

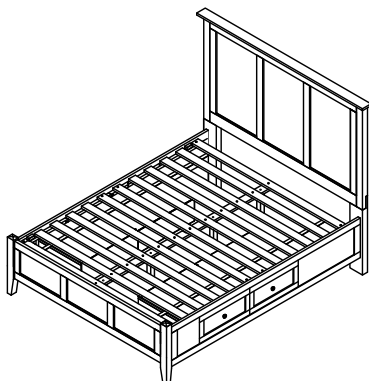
BOX 1 - HEADBOARD (SKU PNRAL7BH/PNRBL7BH/PNRCL7BH/PNKXL7BH/PNKGL7BH)				BOX 3 - STORAGE SIDE RAILS (SKU PNRAD5RD/PNRBD5RD/PNRCD5RD/PNKXD5RD/PNKG5RD)			
PART NO.	IMAGE	DESCRIPTION	QUANTITY	PART NO.	IMAGE	DESCRIPTION	QUANTITY
A		HEADBOARD PANEL	1	F		LEFT SIDE RAIL	1
B		LEFT HEADBOARD LEG	1	G		RIGHT SIDE RAIL	1
C		RIGHT HEADBOARD LEG	1	H		CENTER SLAT	1
<b>HEADBOARD HARDWARE KIT PACKED IN BOX 1</b>				I		BED SUPPORT LEG	4
1		ALLEN BOLT (6X35mm)	8	<b>BOX 4 - STORAGE DRAWER BOX (SKU PNRADB/PNRBDB/PNRADB/PNKXDB/PNKGDB)</b>			
2		SPRING WASHER (M6)	8	J		STORAGE DRAWER BOX	2
3		FLAT WASHER (M6)	8	K		DRAWER BOX SUPPORT LEG	12
4		ALLEN KEY	1				
<b>BOX 2 - FOOTBOARD-SLAT ROLL (SKU PNRAD7FS/PNRBD7FS/PNRCD7FS/PNKXD7FS/PNKG7FS)</b>							
D		FOOTBOARD	1				
E		SLAT ROLL	1				
<b>BED HARDWARE KIT PACKED IN BOX 2</b>							
5		PAN HEAD SCREW (6X15mm)	13				
6		WOOD SCREW (8x30mm)	9				
7		ALLEN KEY	1				
8		ALLEN BOLT (6X40mm)	19				



NOT PROVIDED

**ASSEMBLE ON A SOFT SURFACE**

GRACE STORAGE BED FULLY ASSEMBLED



UPDATED : MAY 3RD, 2023

# GRACE E.KING STORAGE BED

## OWNER'S MANUAL

VENDOR ITEM NO. :

PNRAL7BH / PNRAD7FS / PNRAD5RD / PNRADB - SNOWFALL

PNRBL7BH / PNRBD7FS / PNRBD5RD / PNRBDB - RAVEN

PNRCL7BH / PNRCD7FS / PNRCD5RD / PNRADB - DARK MOCHA

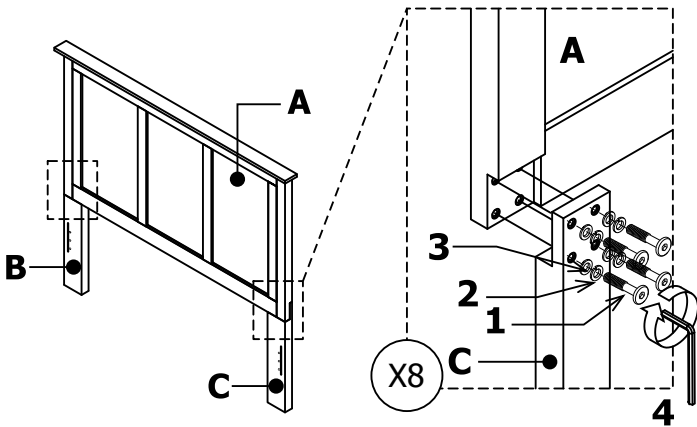
PNKXL7BH / PNKXD7FS / PNKXD5RD / PNKXDB - BLUEBERRY

PNKGL7BH / PNKGD7FS / PNKGD5RD / PNKADB - ELEPHANT GREY

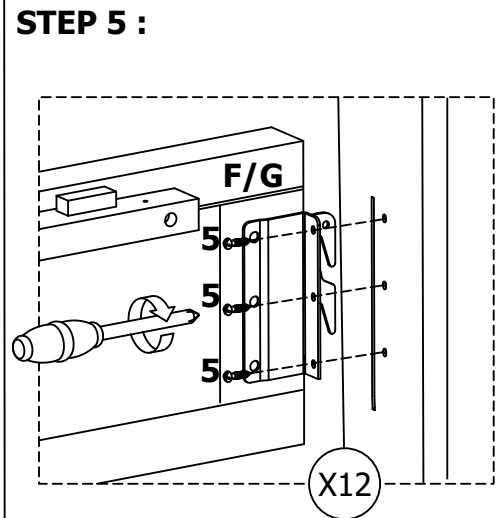
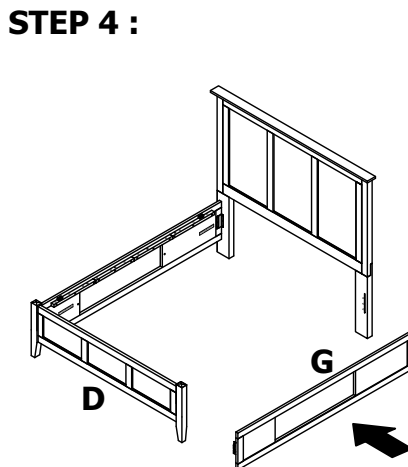
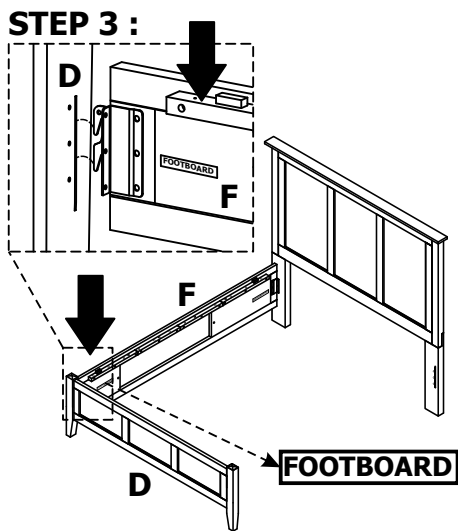
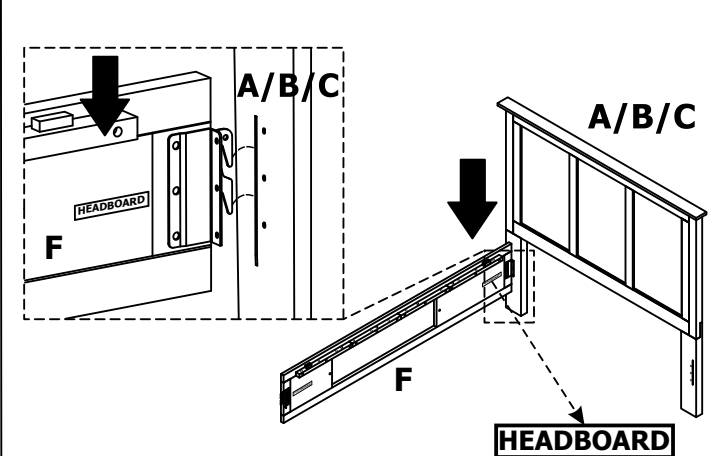


### ASSEMBLY INSTRUCTIONS

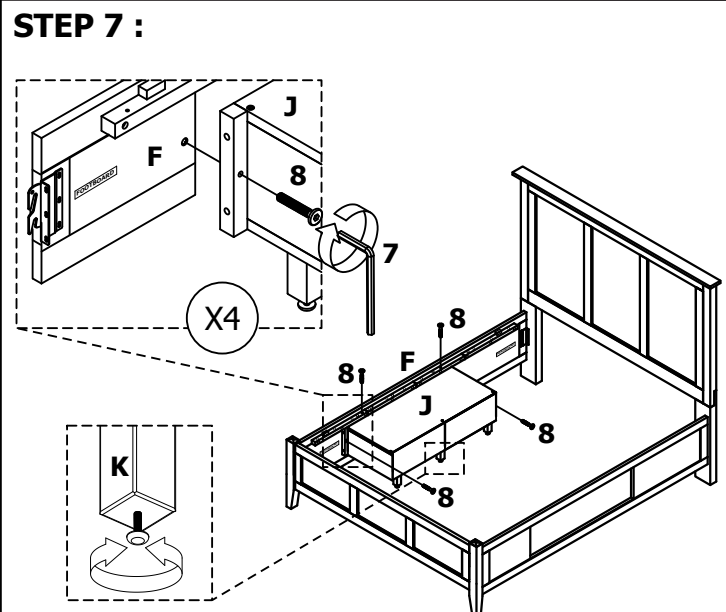
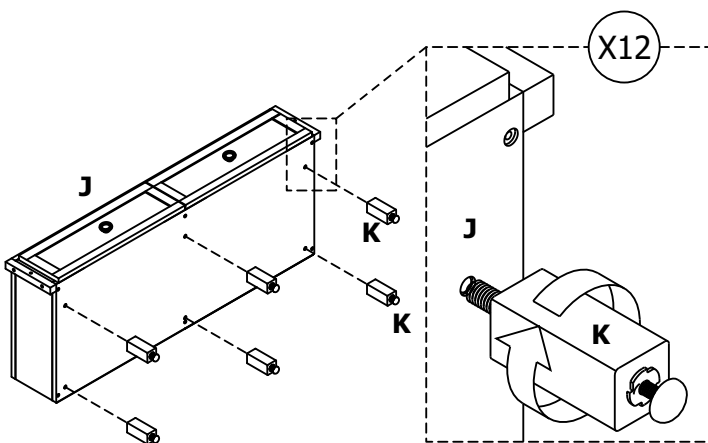
**STEP 1 :**  
USE HEADBOARD HARDWARE PACKED IN BOX 1 FOR STEP 1.



**STEP 2 :**  
USE HARDWARE PACKED IN BOX 2 FOR STEP 2 AND ALL REMAINING STEPS.



**STEP 6 :**  
REMOVE PLASTIC COVER FROM DRAWER BOX SUPPORT LEG (K) BOLT.





# GRACE E.KING STORAGE BED

## OWNER'S MANUAL

VENDOR ITEM NO. :

PNRAL7BH / PNRAD7FS / PNRAD5RD / PNRADB - SNOWFALL

PNRBL7BH / PNRBD7FS / PNRBD5RD / PNRBDB - RAVEN

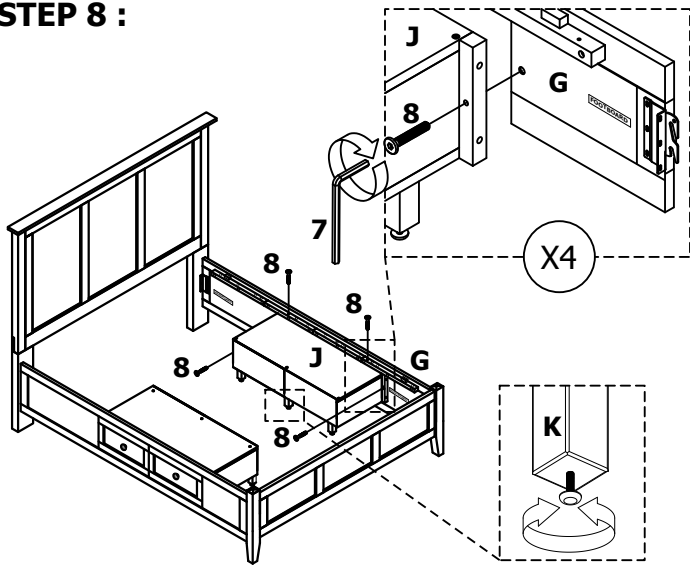
PNRCL7BH / PNRCD7FS / PNRCD5RD / PNRADB - DARK MOCHA

PNKXL7BH / PNKXD7FS / PNKXD5RD / PNKXDB - BLUEBERRY

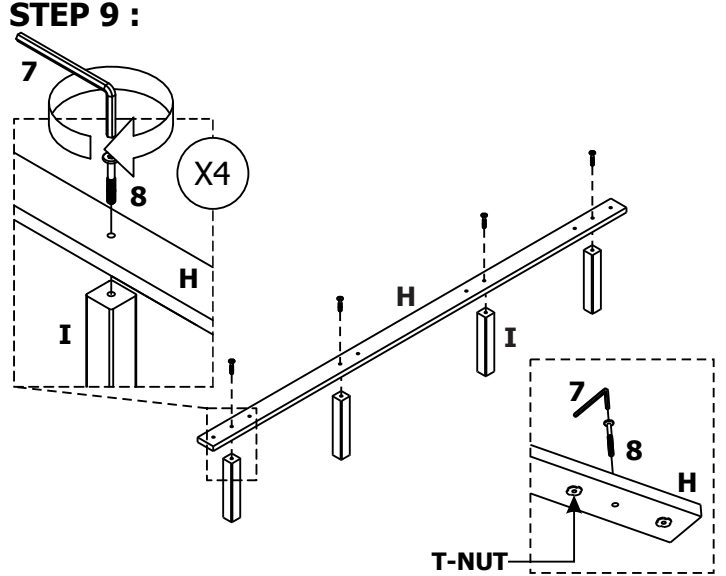
PNKGL7BH / PNKGD7FS / PNKGD5RD / PNKGDB - ELEPHANT GREY



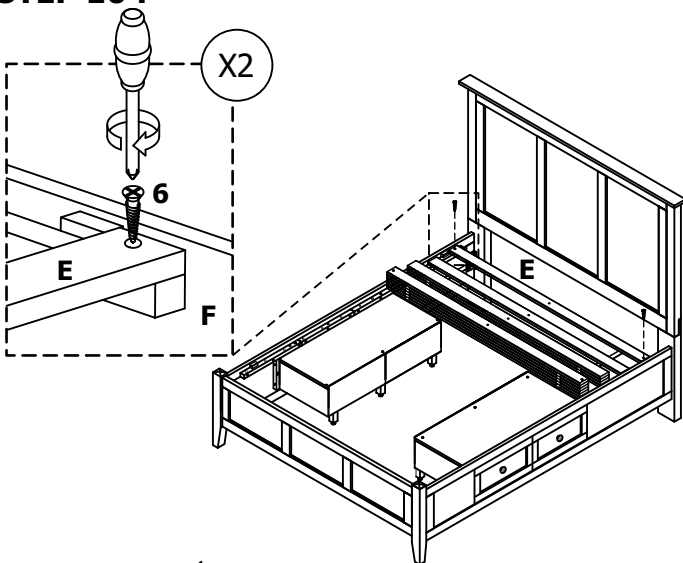
### STEP 8 :



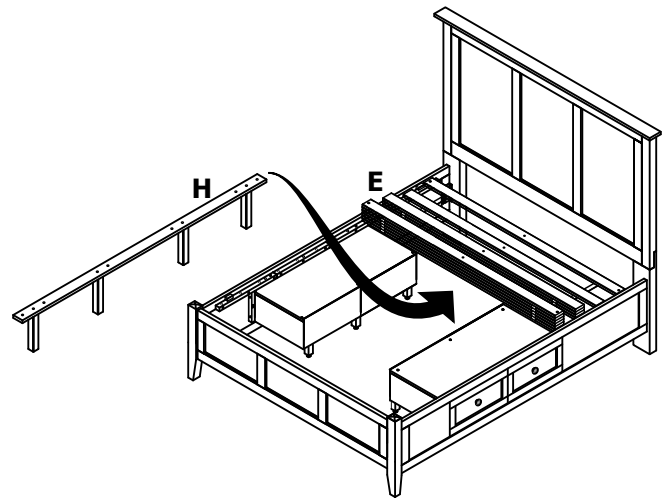
### STEP 9 :



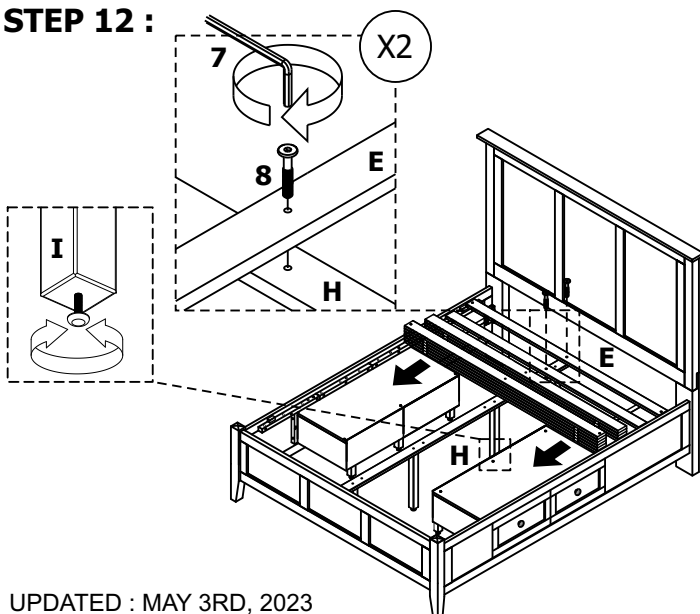
### STEP 10 :



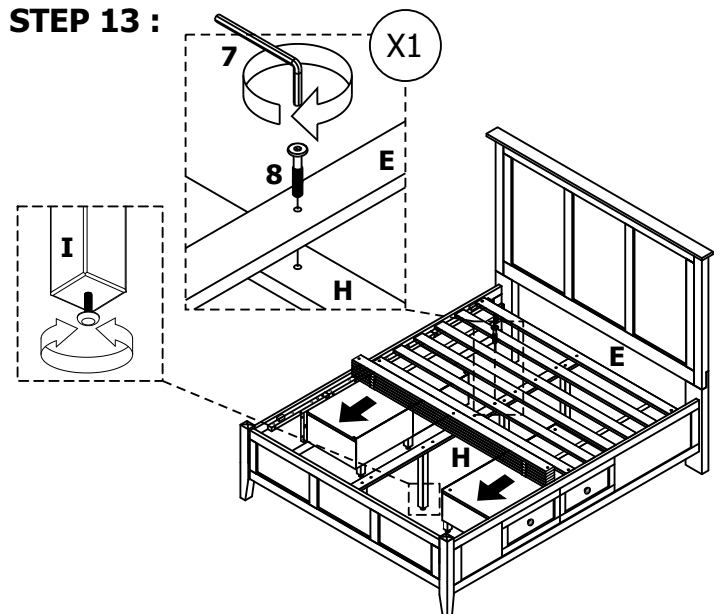
### STEP 11 :



### STEP 12 :



### STEP 13 :



UPDATED : MAY 3RD, 2023

# GRACE E.KING STORAGE BED

## OWNER'S MANUAL

VENDOR ITEM NO. :

PNRAL7BH / PNRAD7FS / PNRAD5RD / PNRADB - SNOWFALL

PNRBL7BH / PNRBD7FS / PNRBD5RD / PNRBDB - RAVEN

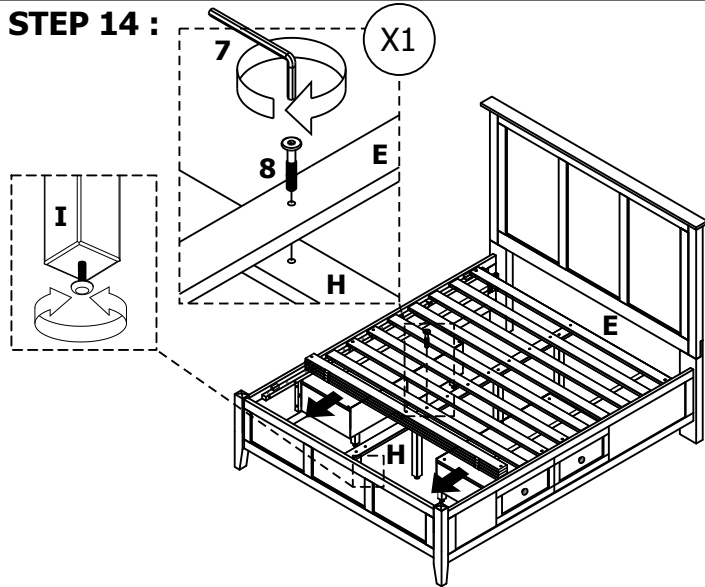
PNRCL7BH / PNRCD7FS / PNRCD5RD / PNRADB - DARK MOCHA

PNKXL7BH / PNKXD7FS / PNKXD5RD / PNKXDB - BLUEBERRY

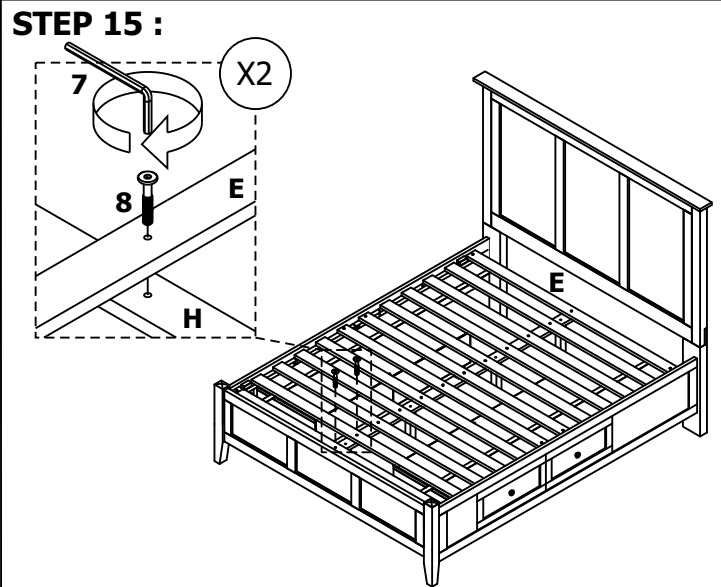
PNKGL7BH / PNKGD7FS / PNKGD5RD / PNKGDB - ELEPHANT GREY



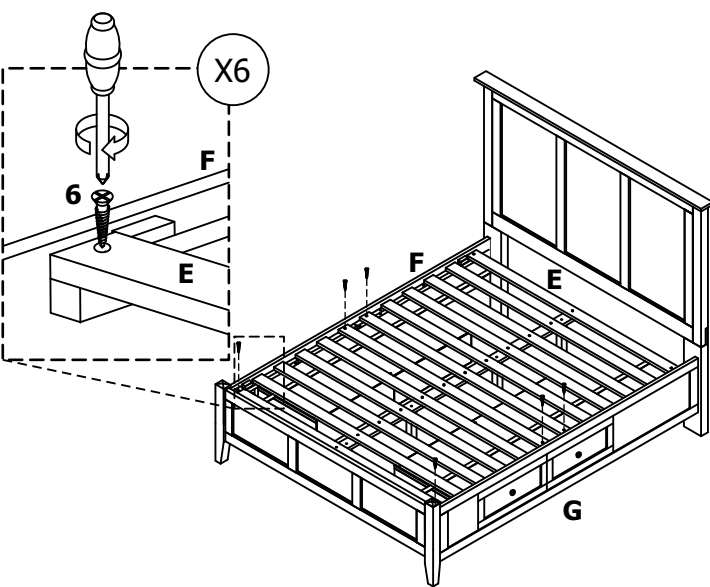
**STEP 14 :**



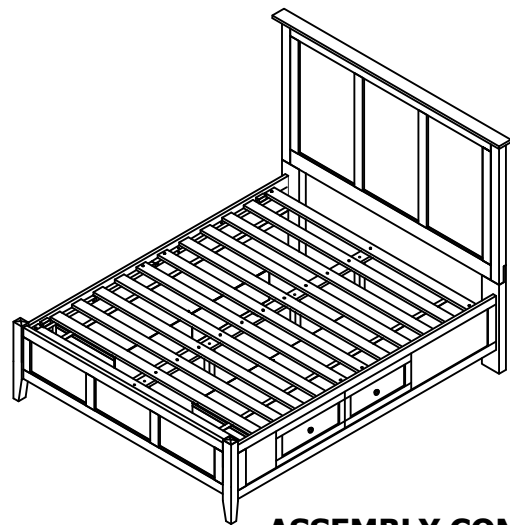
**STEP 15 :**



**STEP 16 :**



**STEP 17 :**



**ASSEMBLY COMPLETE**

# GRACE E.KING STORAGE BED

## OWNER'S MANUAL



VENDOR ITEM NO. :

PNRAL7BH / PNRAD7FS / PNRAD5RD / PNRADB - SNOWFALL

PNRBL7BH / PNRBD7FS / PNRBD5RD / PNRBDB - RAVEN





PNRCL7BH / PNRCD7FS / PNRCD5RD / PNRADB - DARK MOCHA

PNKXL7BH / PNKXD7FS / PNKXD5RD / PNKXDB - BLUEBERRY



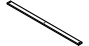
PNKGL7BH / PNKGD7FS / PNKGD5RD / PNKGDB - ELEPHANT GREY

### REPLACEABLE PARTS LIST




#### HEADBOARD - SNOWFALL, RAVEN, DARK MOCHA, BLUEBERRY, ELEPHANT GREY

DESCRIPTION	IMAGE	SKU
BOX 1 HARDWARE KIT		PNZZBPHWHB
FOOT CAP		PNZZCPFC
HEADBOARD LEFT LEG		PNRABPHBLL (Snowfall), PNRBBPHBLL (Raven), PNRCBPHBLL (Dark Mocha) PNKXBPHBLL (Blueberry), PNKGBPHBLL (Elephant Grey)
HEADBOARD RIGHT LEG		PNRABPHBLR (Snowfall), PNRBBPHBLR (Raven), PNRCBPHBLR (Dark Mocha) PNKXBPHBLR (Blueberry), PNKGBPHBLR (Elephant Grey)


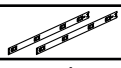

#### FOOTBOARD/SLAT ROLL - SNOWFALL, RAVEN, DARK MOCHA, BLUEBERRY, ELEPHANT GREY

DESCRIPTION	IMAGE	SKU
BOX 2 HARDWARE KIT		PNZZBPHWST
FOOT CAP		PNZZCPFC
INDIVIDUAL SLAT		PNZZBPSL7

#### STORAGE SIDE RAILS - SNOWFALL, RAVEN, DARK MOCHA, BLUEBERRY, ELEPHANT GREY

DESCRIPTION	IMAGE	SKU
SIDE RAIL BRACKET SET/2		RPZZBPLBG
BED SUPPORT LEG		PNRABPLSST (Snowfall), PNRBBPLSST (Raven), PNRCBPLSST (Dark Mocha) PNKXBPLSST (Blueberry), PNKGBPLSST (Elephant Grey)
CENTER SLAT		PNZZBPCS57

#### STORAGE DRAWER BOX - SNOWFALL, RAVEN, DARK MOCHA, BLUEBERRY, ELEPHANT GREY

DESCRIPTION	IMAGE	SKU
KNOB		PNZZCPKB (Snowfall, Raven, Dark Mocha, Elephant Grey) PNZZCPKBSN (Blueberry)
BED DRAWER GLIDE SET		PNZZBPDG450
DRAWER BOX SUPPORT LEG		PNRABPDBSL (Snowfall), PNRBBPDBSL (Raven), PNRCBPDBSL (Dark Mocha) PNKXBPDBSL (Blueberry), PNKGBPDBSL (Elephant Grey)

# GRACE E.KING STORAGE BED

## OWNER'S MANUAL



VENDOR ITEM NO. :

PNRAL7BH / PNRAD7FS / PNRAD5RD / PNRADB - SNOWFALL

PNRBL7BH / PNRBD7FS / PNRBD5RD / PNRBDB - RAVEN

PNRCL7BH / PNRC7FS / PNRC5RD / PNRCDB - DARK MOCHA

PNKXL7BH / PNKXD7FS / PNKXD5RD / PNKXDB - BLUEBERRY

PNKGL7BH / PNKGD7FS / PNKGD5RD / PNKGDB - ELEPHANT GREY



### **WARNING:**

- Maximum distributed load capacity: 800 lbs.
- Standing or jumping on this product may result in damage or injury.

### **ROUTINE MAINTENANCE:**

Periodically check that support legs are in place and are applying equal upward pressure on the bed frame. To adjust support legs, turn levelers counterclockwise to extend, clockwise to retract.

Periodically check all fittings and tighten if necessary, as they can loosen over time.

Always remove box spring and mattress before moving the bed. Lift the bed when moving it. Dragging the bed can damage the center support. Readjust levelers after moving the bed.

### **CARE AND CLEANING:**

**WOOD FURNITURE:** Dust frequently with a clean, damp, lint-free cloth. Frequent dusting will remove abrasive build-up which can damage a finish over time. Avoid using oily polishes or waxes. Avoid exposing your furniture to strong sunlight. Prolonged exposure to direct sunlight can fade the finish of your furniture. Do not expose your furniture to any liquids. Never allow water to sit on your furniture. Do not place hot items on top of surface, always use a mat or other protector. Alcohol, nail polish and perfume are also dangerous, as they can dissolve the furniture finish on contact and may require professional repairs.