

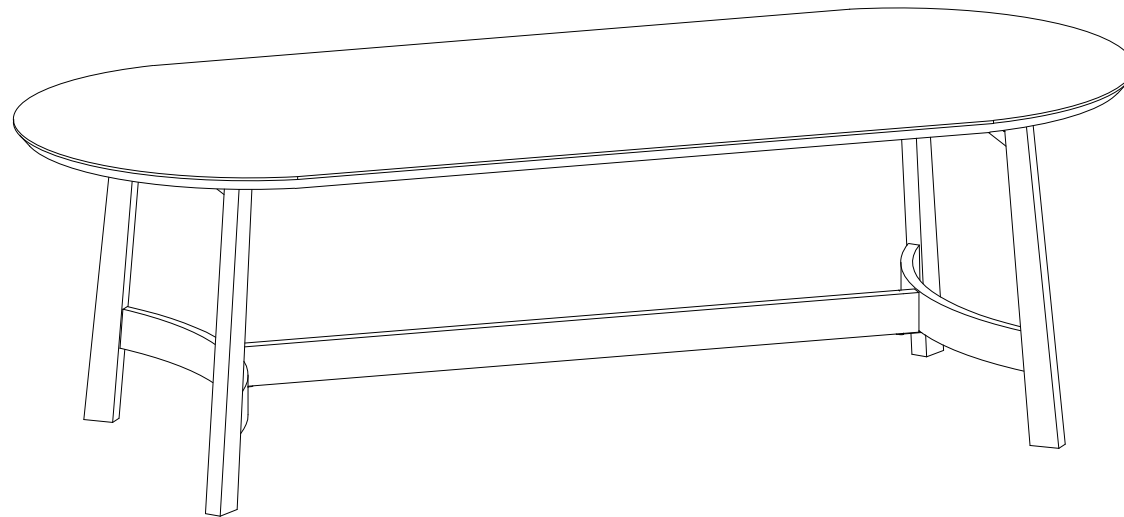
# MOE'S

h o m e c o l l e c t i o n

## **ASSEMBLY INSTRUCTIONS.**

TRIE DINING TABLE LARGE DARK BROWN



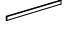

**VE-1098-20-0**







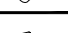

THANK YOU FOR YOUR PURCHASE!

## PARTS AND HARDWARE.

### PARTS LIST

NO.	DESCRIPTION	IMAGE	QTY
P1	TOP		1
P2	LEG		2
P3	STRETCHER		1
P4	T-CLIP		2

### HARDWARES LIST

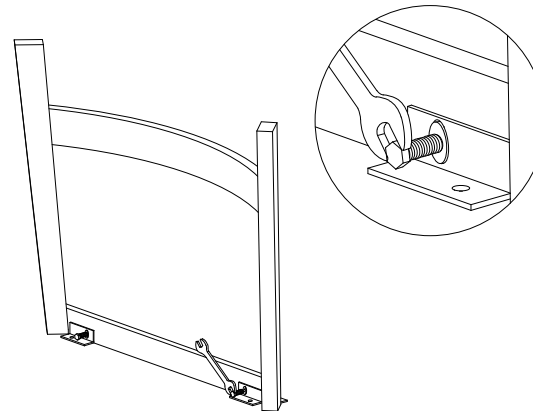
NO.	DESCRIPTION	IMAGE	QTY
H1	HEX BOLT 8x20mm		16
H2	SPANNER		1
H3	WASHER		16
H4	L-ANGLE		8
H6	ALLEN BOLT 6x20mm		6
H7	ALLEN KEY 4mm		1

### NOTES.

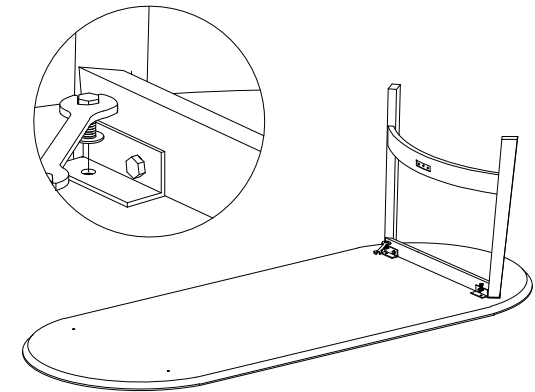
Thank you for purchasing this quality product! Be sure to check all packing material carefully for small part that may have come loose inside the carton during shipping.

**CAUTION:** The item is heavy, assembly should be performed by two people.

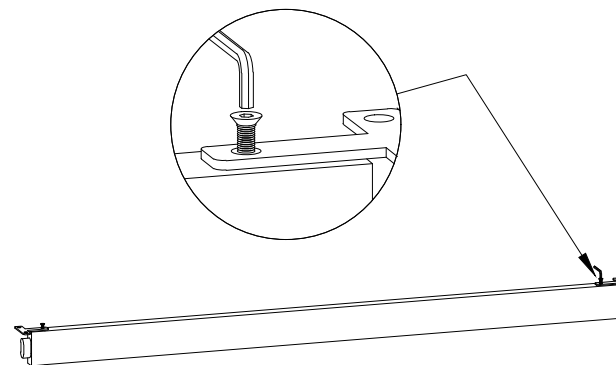
### STEP 1.



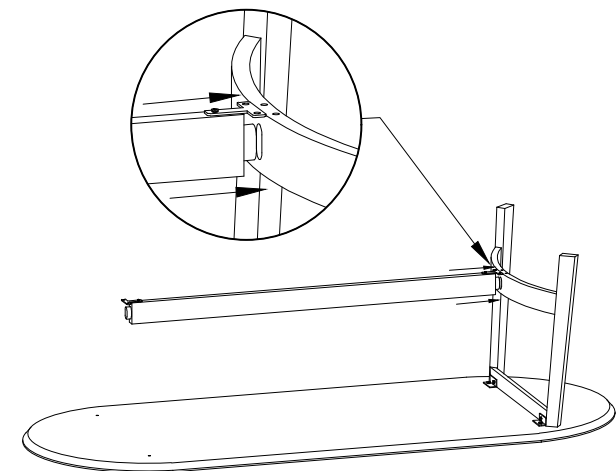
### STEP 2.



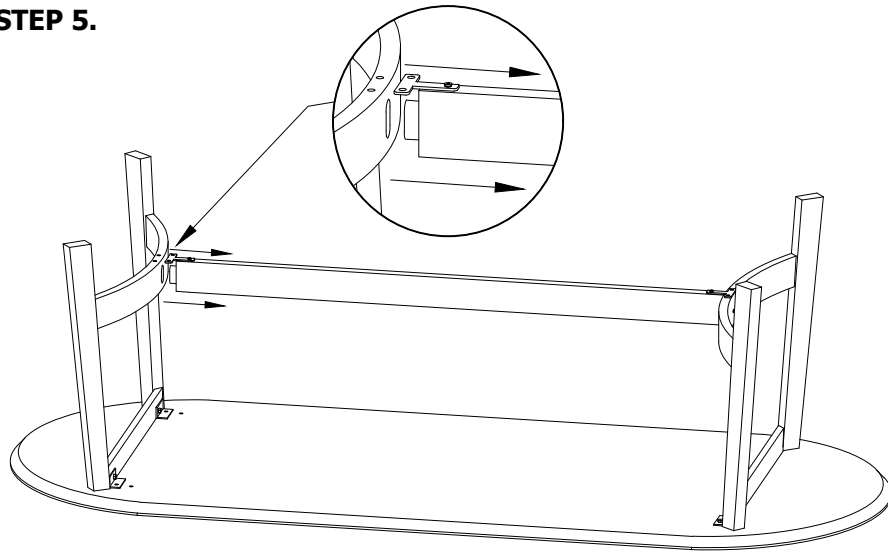
### STEP 3.



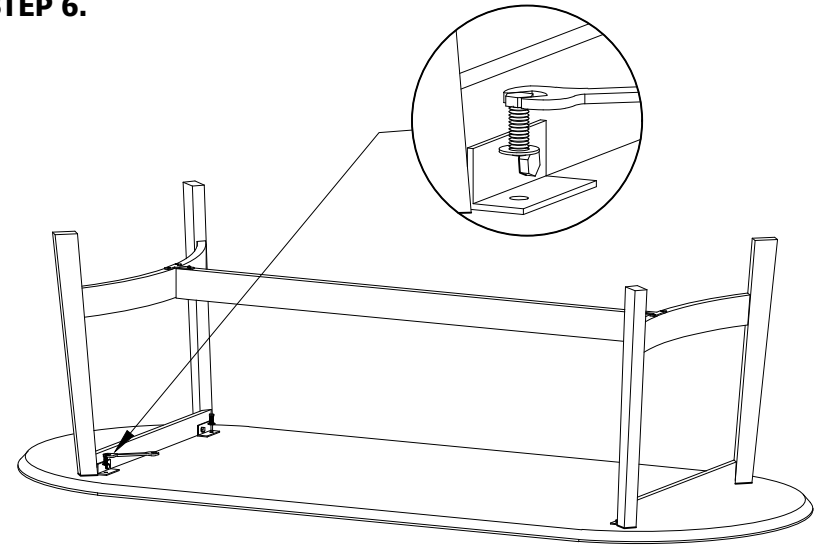
### STEP 4.



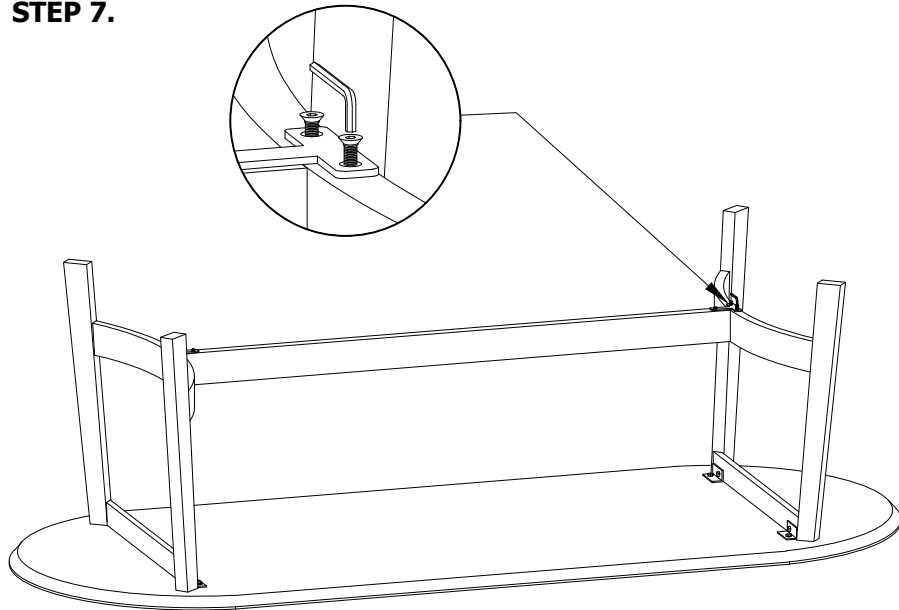
**STEP 5.**



**STEP 6.**



**STEP 7.**



**STEP 8.**

