




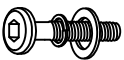


ASSEMBLY INSTRUCTIONS

**CROWN MARK
MODEL : B4680-2
NIGHT STAND**

**(BOX 1)
BOX OF NIGHT STAND**

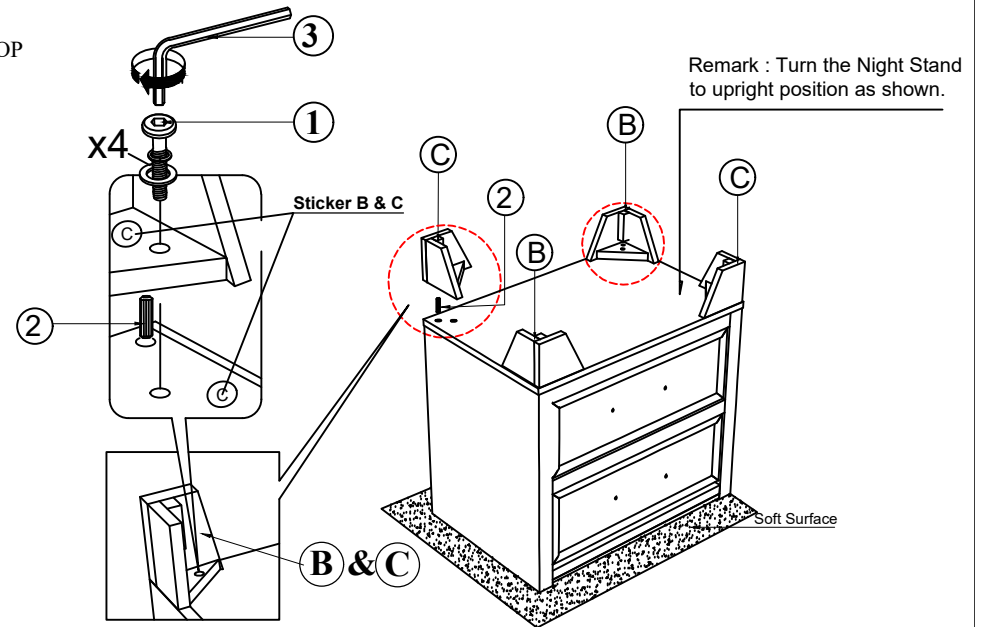
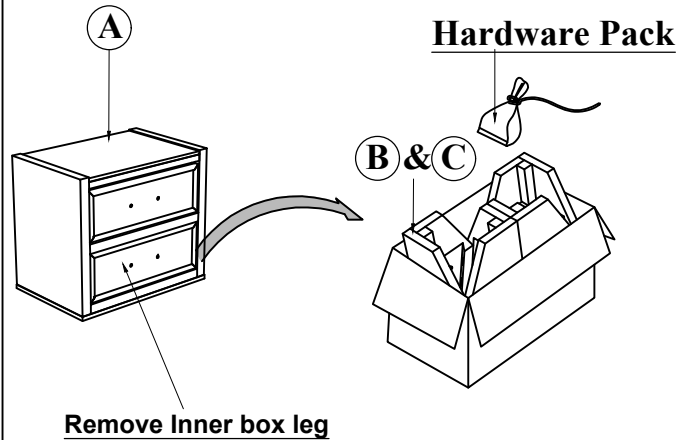
NO	ITEM	QTY
	NIGHT STAND	
A		1 pc
B	KD LEG RIGHT 	2 pcs
C	KD LEG LEFT 	2 pcs

**(BOX 1)
HARDWARE LIST**

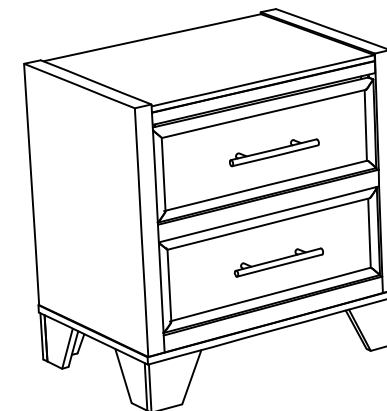
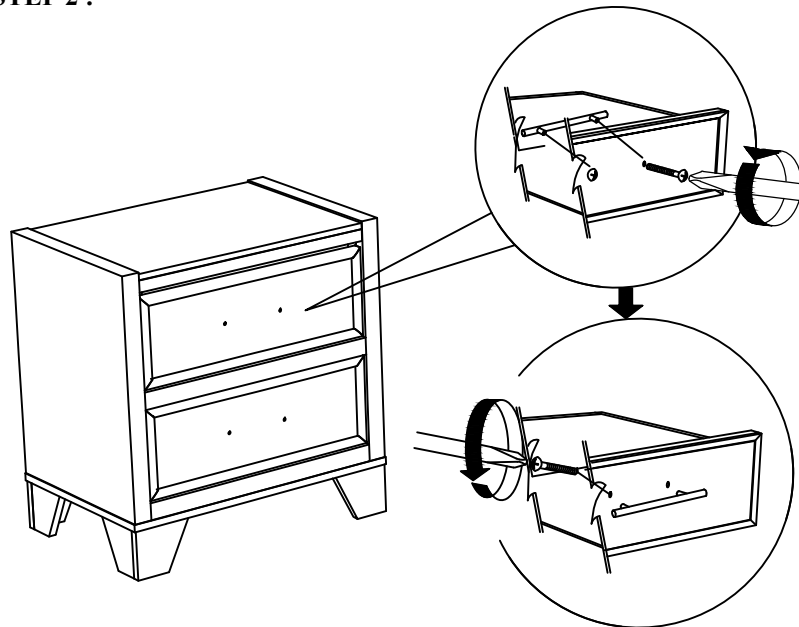
NO	ITEM	QTY
1	JCBC Bolt m6 x 35mm Blk 	4 pcs
2	Wood Dowel 8 x 20mm 	4 pcs
3	Allen Key m4 x 65mm Blk 	1 pc

STEP 1 : Pull the bottom drawer and take out the KD Leg carton. Insert wood dowel (2) into the bottom panel (A) as shown. Attach the KD Leg (B) & (C) and using the JCBC Bolt (1) and securing with Allen Key (3) as shown.

THE HARDWARE IS LOCATED IN THE PACKING ITEM
THE ANTI-TIPPING HARDWARE IS LOCATED IN THE TOP
DRAWER.



STEP 2 :



COMPLETED ASSEMBLY

NOTE : Periodically check to ensure that all connectors (bolts, screws, etc.) are tight.