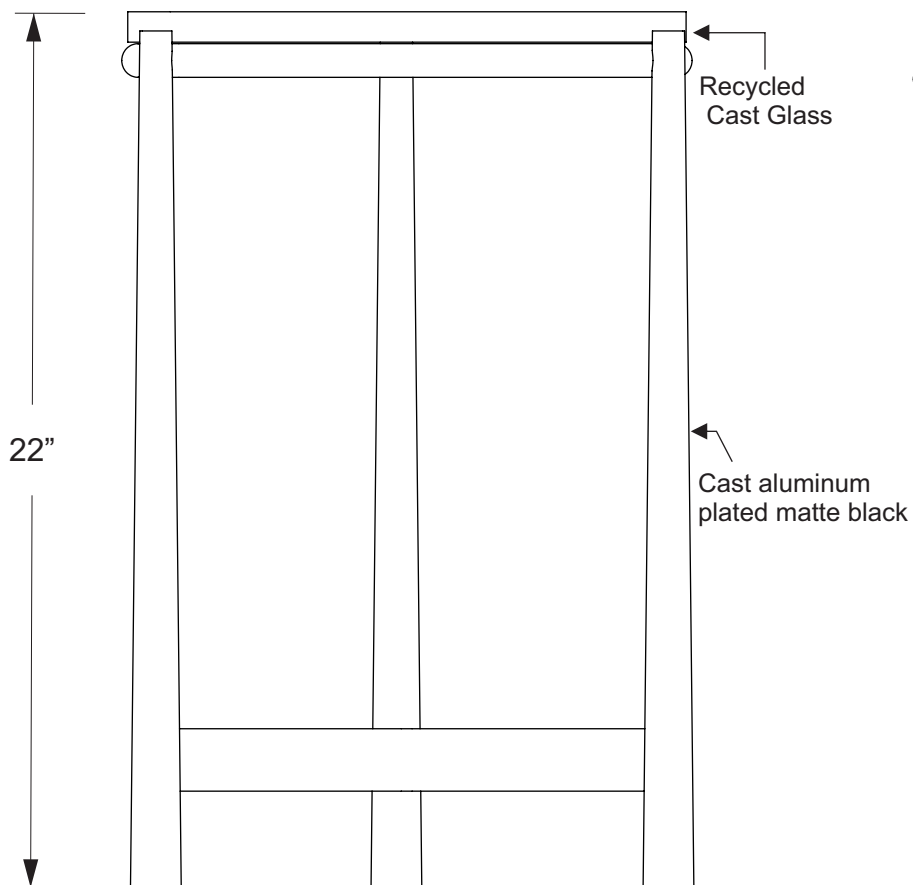
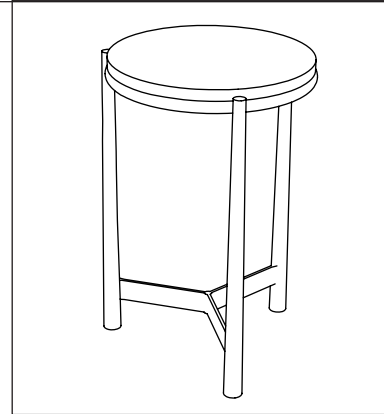
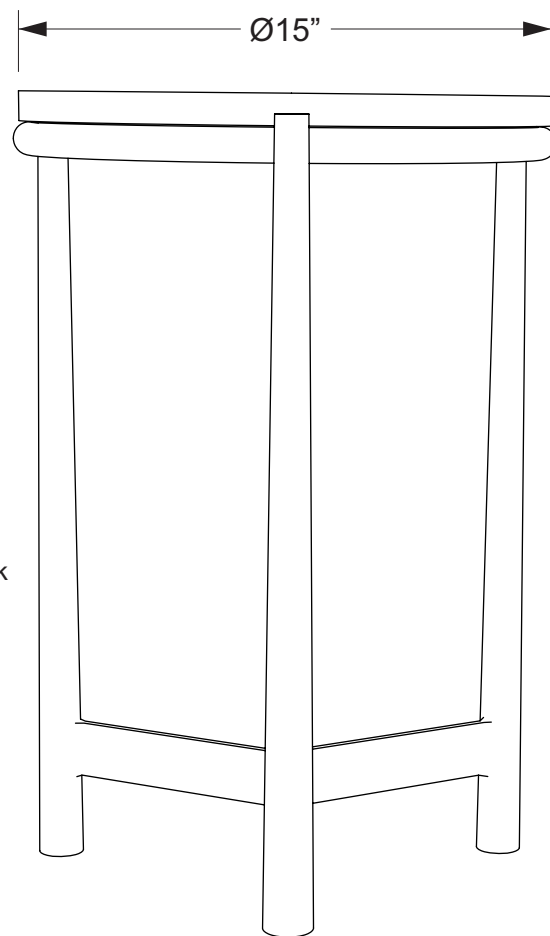


TOP VIEW



FRONT VIEW



SIDE VIEW

Item number:
TA500

Product name:
Avila

Overall dimension:
15"W x 22"H x 15"D

RENWIL[®]
EST. 1967