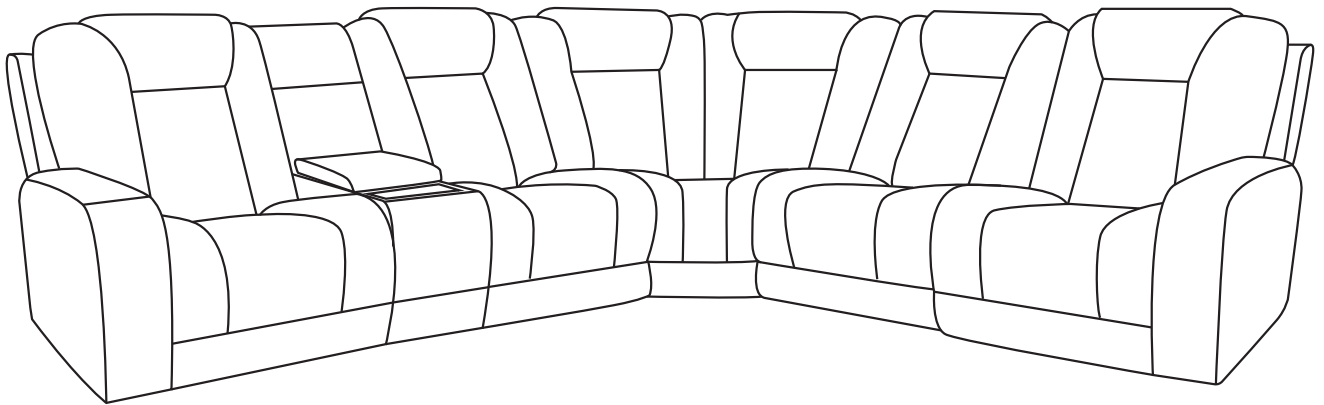


MOTOMOTION
FASHION. FORWARD. FURNITURE.



OWNER'S MANUAL

IMPORTANT SAFETY INSTRUCTIONS

READ ALL INSTRUCTIONS BEFORE USING.

WARNING: To reduce the risk of burns, fire, electric shock, or injury to persons:

1. DANGER: To reduce the risk of electric shock-Always unplug this furnishing from the electrical outlet before cleaning.
2. Unplug from outlet before putting on or taking off parts.
3. Close supervision is necessary when used by or near children, or disabled people.
4. Use this furnishing only for its intended use as described in these instructions.
Do not use attachments not recommended by the manufacturer.
5. Never operate this furnishing if it has a damaged cord or plug, if it is not working properly, if it has been dropped or damaged, or dropped into water.
6. Keep the cord away from heated surfaces.
7. Never drop or insert any object into any opening.
8. Do not use outdoors. Just for household indoor use only.
9. To disconnect, turn all controls to the off position, then remove plug from outlet.
10. WARNING: Risk of injury - Keep children away from extended foot support.
11. WARNING: Risk of injury to Persons – do not use this furnishing to support video equipment such as televisions or computer monitors.

SERVICING OF DOUBLE- INSULATED PRODUCTS.

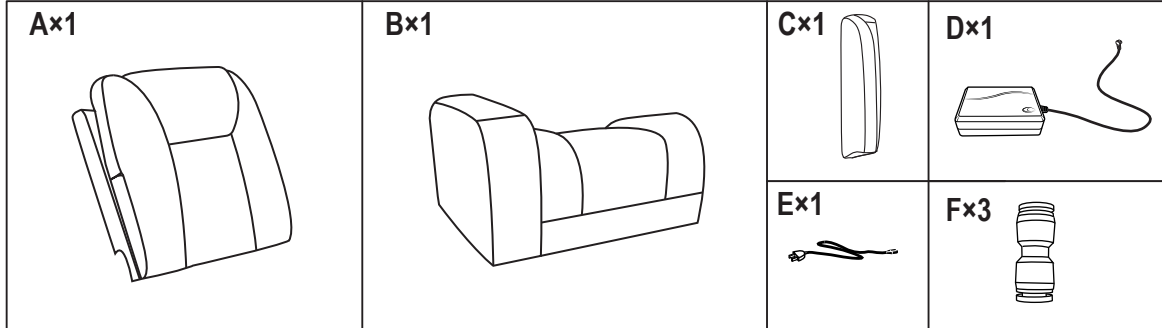
In a double-insulated product, two systems of insulation are provided instead of grounding. No grounding. No grounding means is provided on a double-insulated product, nor is a means for grounding to be added to the product. Servicing a double-Insulated Product requires extreme care and knowledge of the system, and is to be done only by qualified service personnel. Replacement parts for a double-insulated product must be identical to the parts they replace.

SAVE THESE INSTRUCTIONS.

Thank you for purchasing this quality product. Be sure to check all packing materials carefully for small parts that may have come loose inside the carton during shipment.

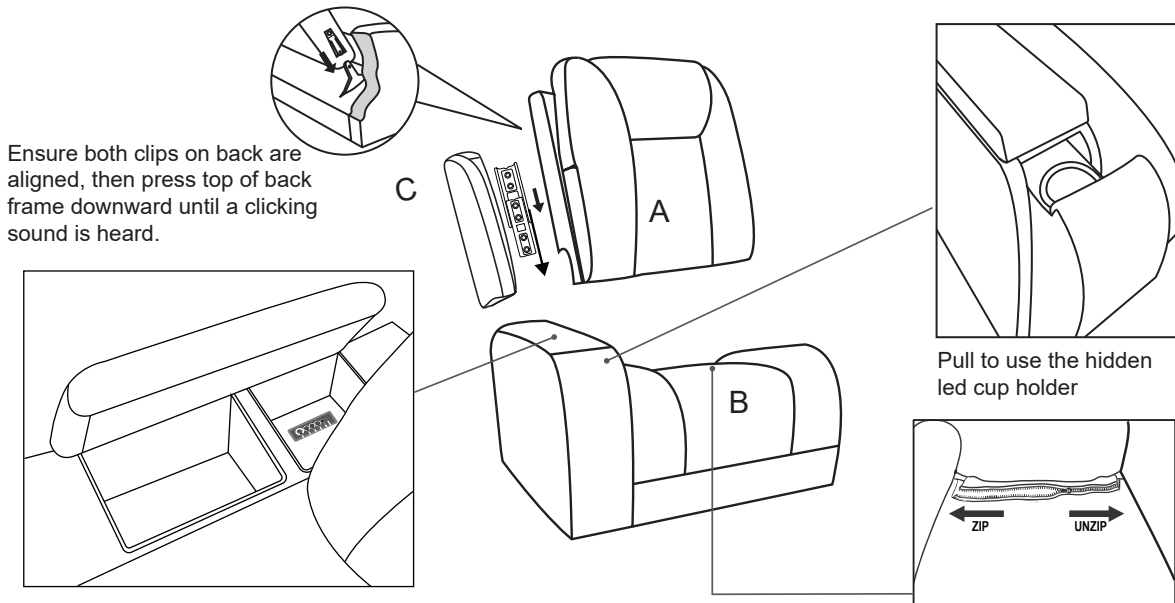
Inside the carton you will find a plastic bag that has the LAF Recliner's wing in it. Remove the wing from the plastic bag and set it aside to be used in assembly and installation.

Make sure to read the instructions below before assembling your LAF Recliner.



STEP 1

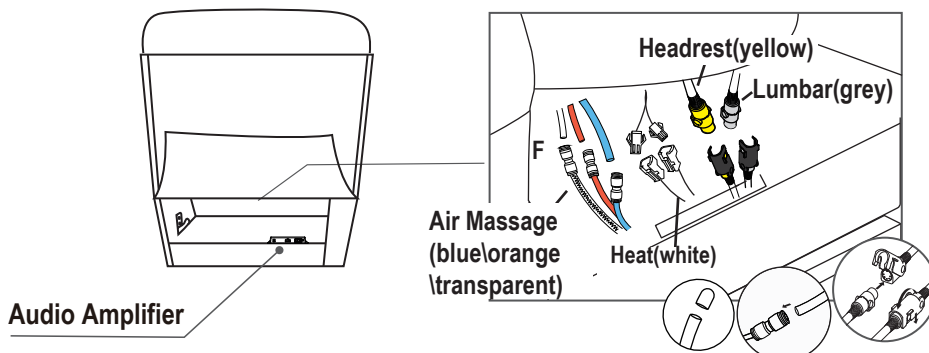
Attach the Back (A) to the Seat (B). Zip up the seat cushion and back cushion.



STEP 2

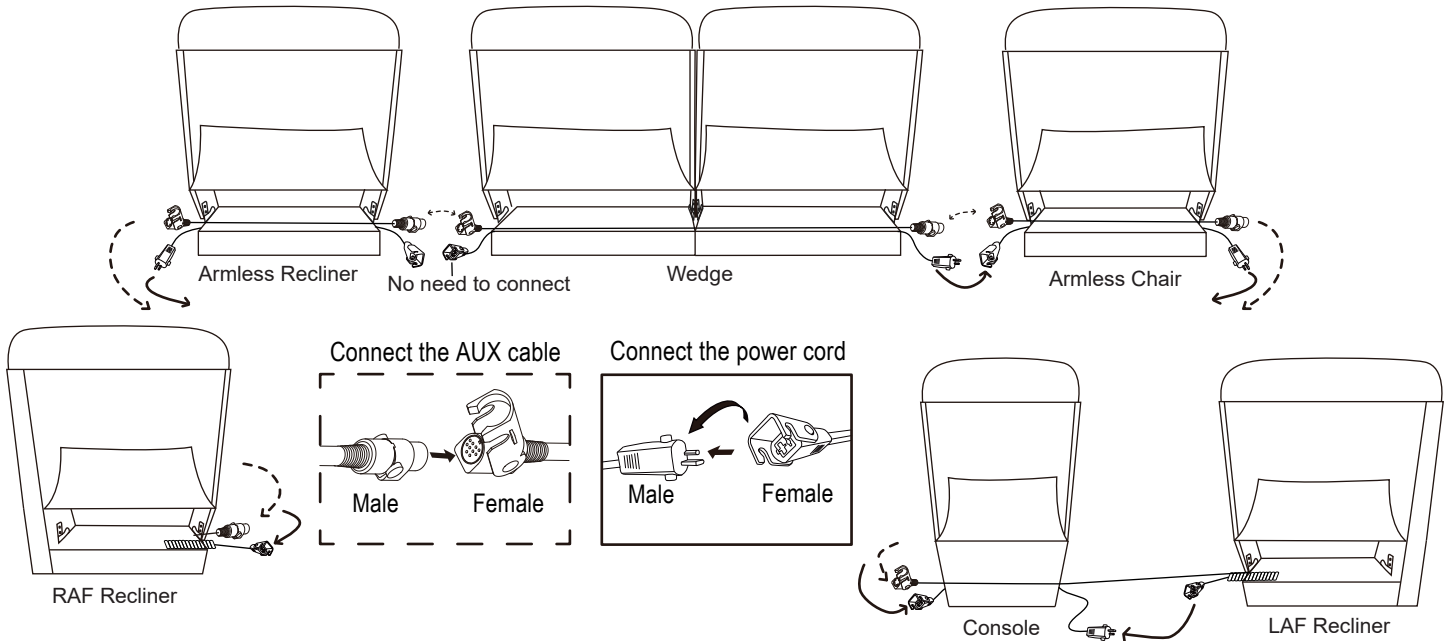
Flip up the back flap and remove the cables from the Back. Plug all the connectors.

For the LAF Recliner, all connections are color coded and labeled for ease of identification. Make sure to close all clip locks to assure the connections do not come loose during use. Double check to make sure the connections are correct before proceeding.



STEP 3

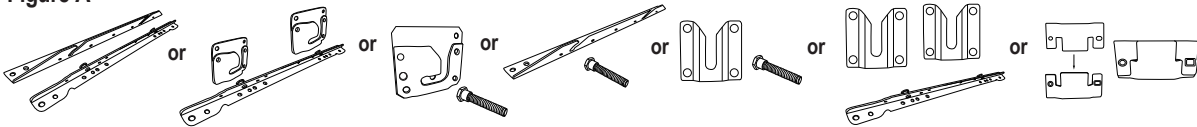
Connecting power cords and AUX cables with each position.



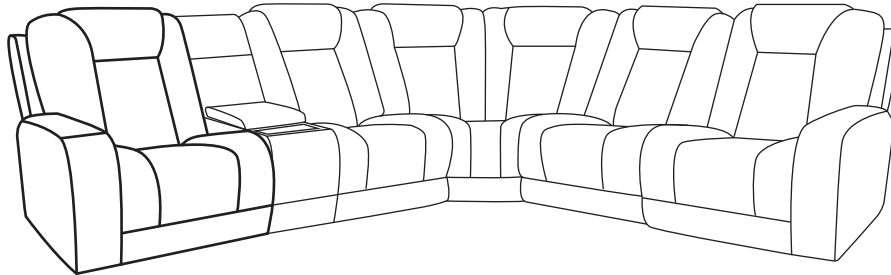
STEP 4

You can connect two or more recliners by connecting each position with male and female buckle as Figure A illustrated.

Figure A



Once completely assembled, your product may look similar to the illustration below, depending on the configuration.



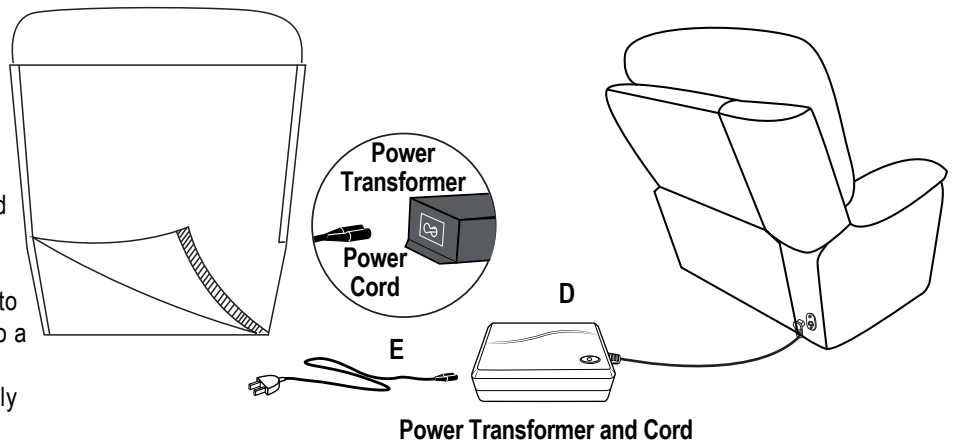
STEP 5

Connect the Power Transformer to the plug coming from the Recliner.
Connect the Power Cord into the Power Transformer.
Connect the Power Cord into an electrical outlet near where the Recliner will be positioned.

Do Not plug the power cord into a power outlet until your recliner is fully assembled and in place.

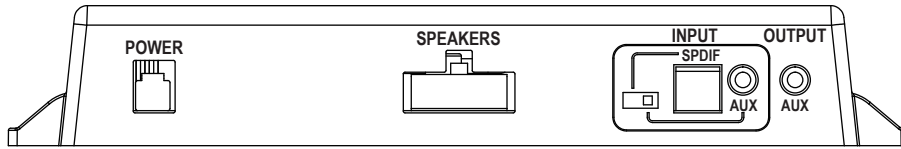
Notes:

- 1) To help prevent shock and or damage to your product only plug the power cord into a grounded outlet.
- 2) Read the operating instructions carefully before operating your LAF recliner.



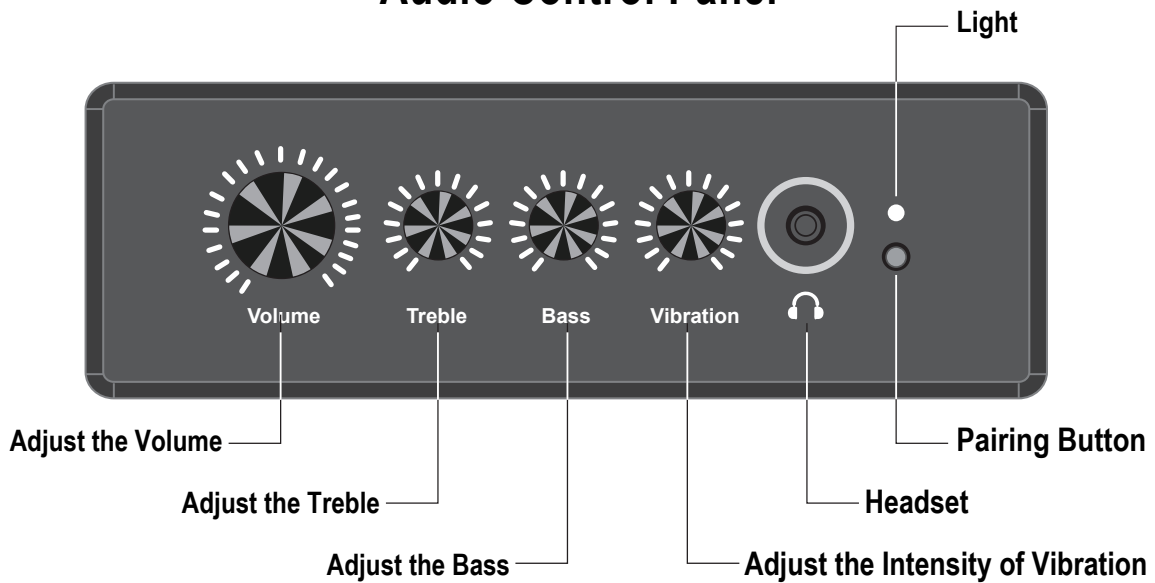
**Caution: Read the important instructions below before operating your power mechanized equipment
Do not allow children to play on or operate this power mechanized equipment**

Audio Amplifier



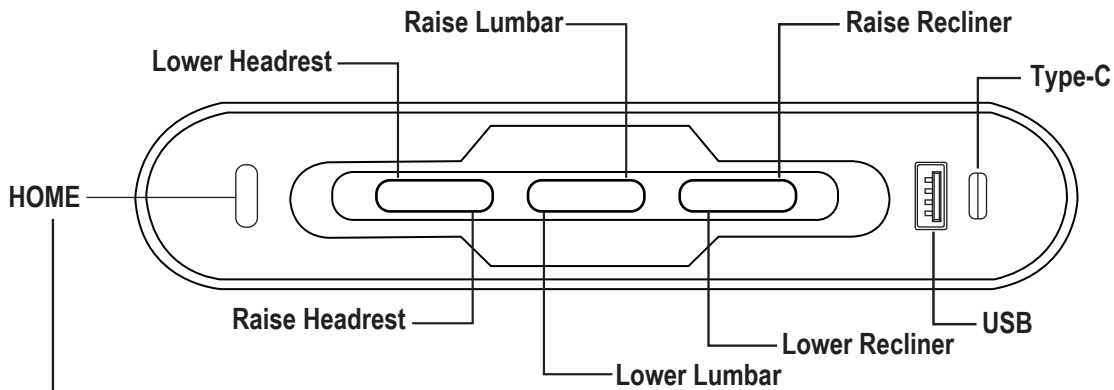
AUX input, AUX output, and S/PDIF are located on the Audio Amplifier. You can connect multiple devices by using a 3.5mm AUX cable connecting the AUX input to the audio source and then connecting another 3.5mm AUX cable from AUX output to the AUX input of the next Audio Amplifier. 3.5mm AUX cable sold separately.

Audio Control Panel

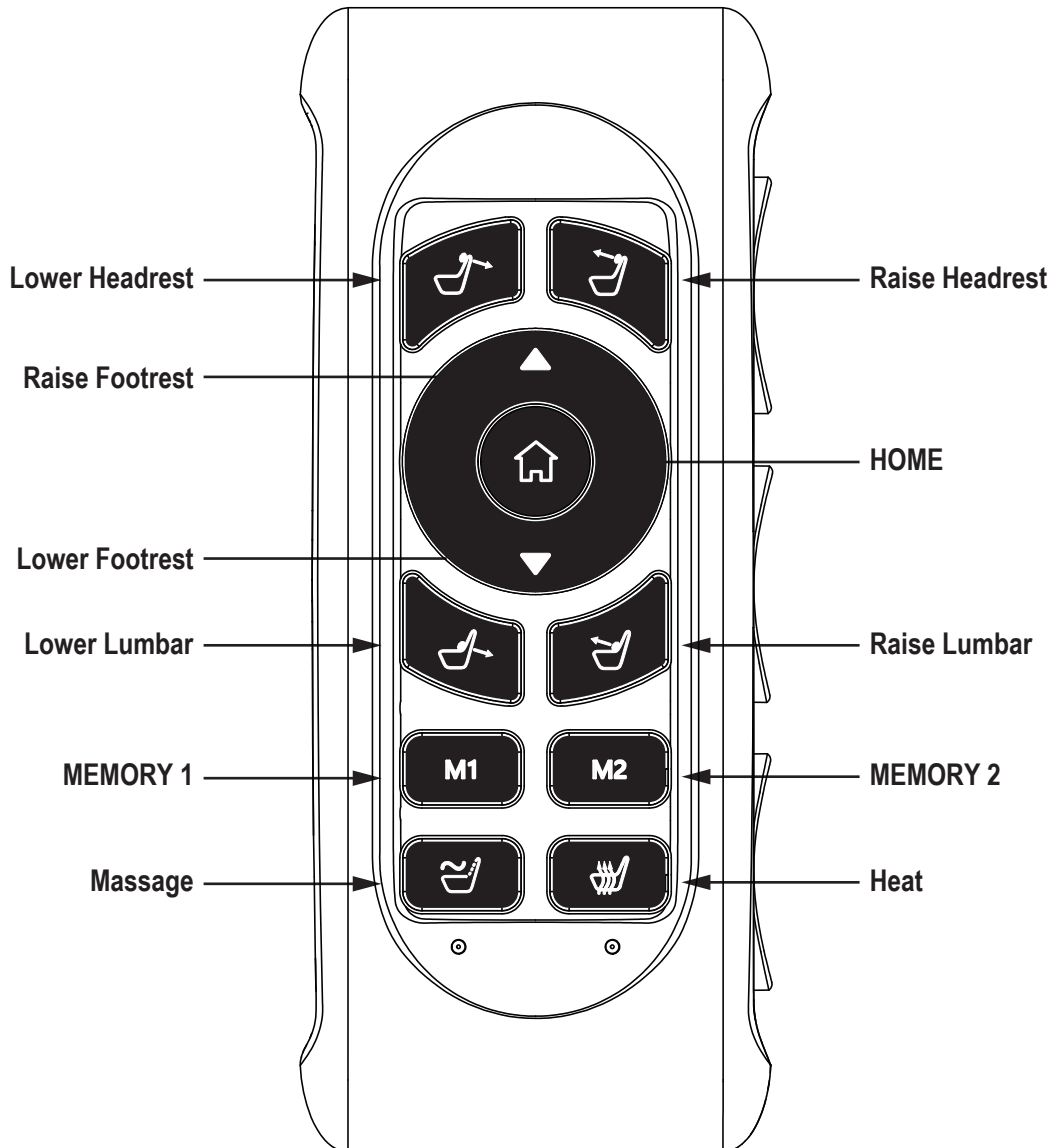


How to Connect Wireless

Press and hold the Pairing button, the LEDs on the memory buttons will flash to indicate that the control is in “pair” mode. Switch on the pairing function on your device.



When you cannot find the remote control handle, press and hold this button for 10 seconds and the handle will make a sound to indicate its location.
NOTE: If the remote control handle is 10 meters away from the base, pressing and holding this button will not cause the remote control to respond.



How to use Memory Function

Adjust your recline, headrest, and lumbar to the desired position. Press and hold Memory 1 and Memory 2 button together for 3 seconds until a buzzer sounds. This indicates the hand control is in "set" mode. Press either M1 or M2 to set that position and the buzzer will sound twice to indicate a successful setting. Now, from a fully closed home position you can return to your saved memory position of M1 or M2 by pressing and holding either saved button.

How to use Massage and Heat

There are two gears for the heating and massage functions; Green light for low grade, red light for high grade. Heating function will stop automatically after 30 minutes, massage function will stop automatically after 20 minutes. Pressing the lumbar support also stops automatically when the heating massage function is running.

How to pair the new remote

Disconnect the power, then Press and hold the "Lower Headrest" button and "Raise Headrest" buttons for 5 seconds, the buzzer in the remote will ring two times. Connect the power, the buzzer in control box will ring three times, and then the remote will ring one time. The pairing is finished.

NOTE: Pairing will not be possible when the remote control is more than 10 meters away.

NOTE: When you initially set up the piece, you will need to plug it in and let the wireless remote charge in the slot for a few minutes before the remote has enough power to activate the motion in the furniture.

FCC INSTRUCTION

CAUTION: Changes or modifications not expressly approved by the party responsible for compliance could void the user’s authority to operate the equipment.

NOTE: This equipment has been tested and found to comply with the limits for a Class B digital device, pursuant to Part 15 of the FCC Rules. These limits are designed to provide reasonable protection against harmful interference in a residential installation. This equipment generates, uses, and can radiate radio frequency energy and, if not installed and used in accordance with the instructions, may cause harmful interference to radio communications. However, there is no guarantee that interference will not occur in a particular installation. If this equipment does cause harmful interference to radio or television reception, which can be determined by turning the equipment off and on, the user is encouraged to try to correct the interference by one more of the following measures:

- Reorient or relocate the receiving antenna.
- Increase the distance between the equipment and receiver.
- Connect the equipment into an outlet on a circuit different from that to which the receiver is connected.
- Consult the dealer or an experienced radio/TV technician for help.

TROUBLESHOOTING

PROBLEM	POSSIBLE FACTORS	SOLUTION
The power light is not on.	The AC cable end is not plugged in.	Select another outlet with normal power supply and plug it into the AC side of the power supply.
The recliner stretches or shrinks and stutters.	<ul style="list-style-type: none"> • The iron frame rests are deformed. • There is an even pause when the backrest or leg rest is opened. It is possible that the motor hall sensor is damaged. 	<ul style="list-style-type: none"> • Replace the iron frame. • Replace the motor.
The handle cannot be paired with the recliner.	<ul style="list-style-type: none"> • Signal interference. • The pairing distance is out of range. 	<ul style="list-style-type: none"> • Remove interference sources such as metal and electrical appliances between the handle and the recliner, or change the pairing environment and try again. • Hold the handle close to the recliner (usually within 10 meters) and re-pair.
Loud noise during massage work (clearly different from noise during normal operation)	Faulty air pump	Replace the air pump
Heating does not work	The heating pad line and the control box are disconnected.	Check the connection between the heating power cord and the control box to make sure the connection is secure.
The air massage does not work	The control button and the control box wiring are disconnected.	Check the wiring of the massage control switch and the control box to make sure the connection is secure.

MOTO **MOTION**

FASHION. FORWARD. FURNITURE.

Customer Service

If you have any questions regarding the use of this unit, or find that your unit need service, please contact your retailer