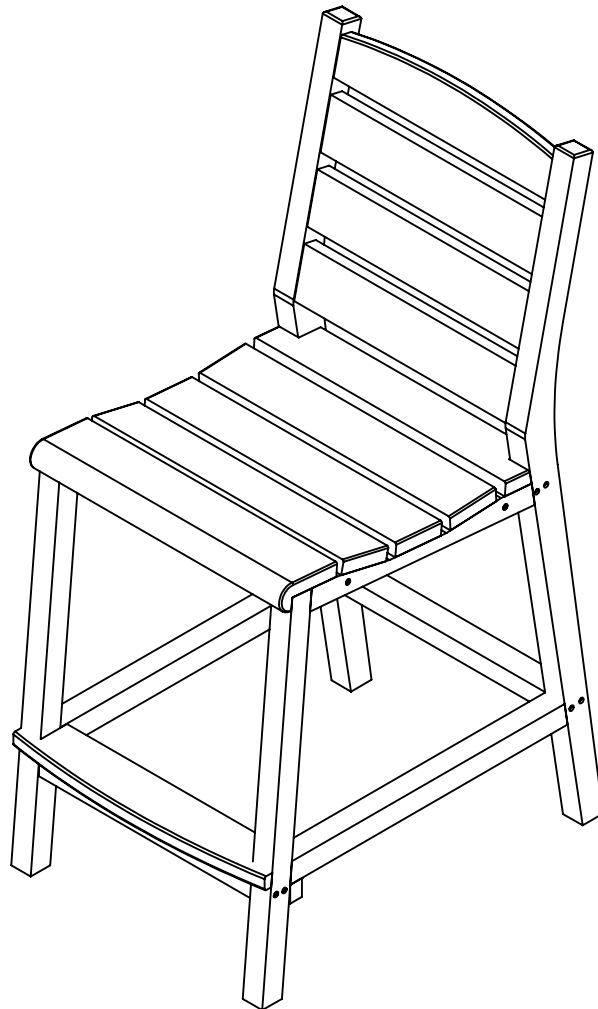


 **C.R. PLASTIC
PRODUCTS** 

we create sustainable outdoor living

C311C

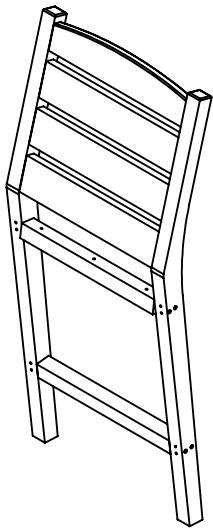




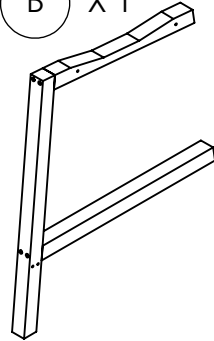
C.R. PLASTIC PRODUCTS

we create sustainable outdoor living

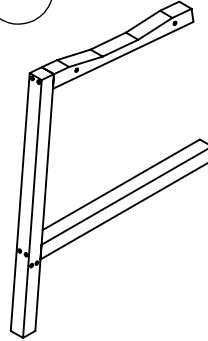
A X 1



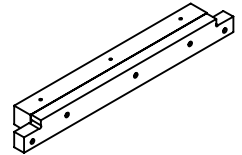
B X 1



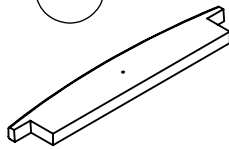
C X 1



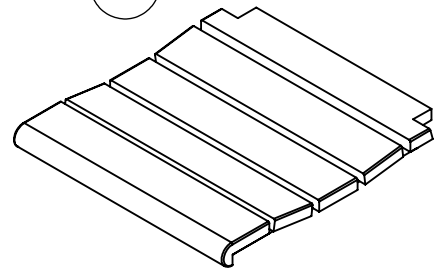
D X 1



E X 1



F X 1



#2



G X 16 2.50" / 63.5 mm



H X 8 2.0" / 51 mm



SCREW SIZE SCALE 1:1



1-866-439-9521



wecare@crplastics.com



www.crpproducts.com

1

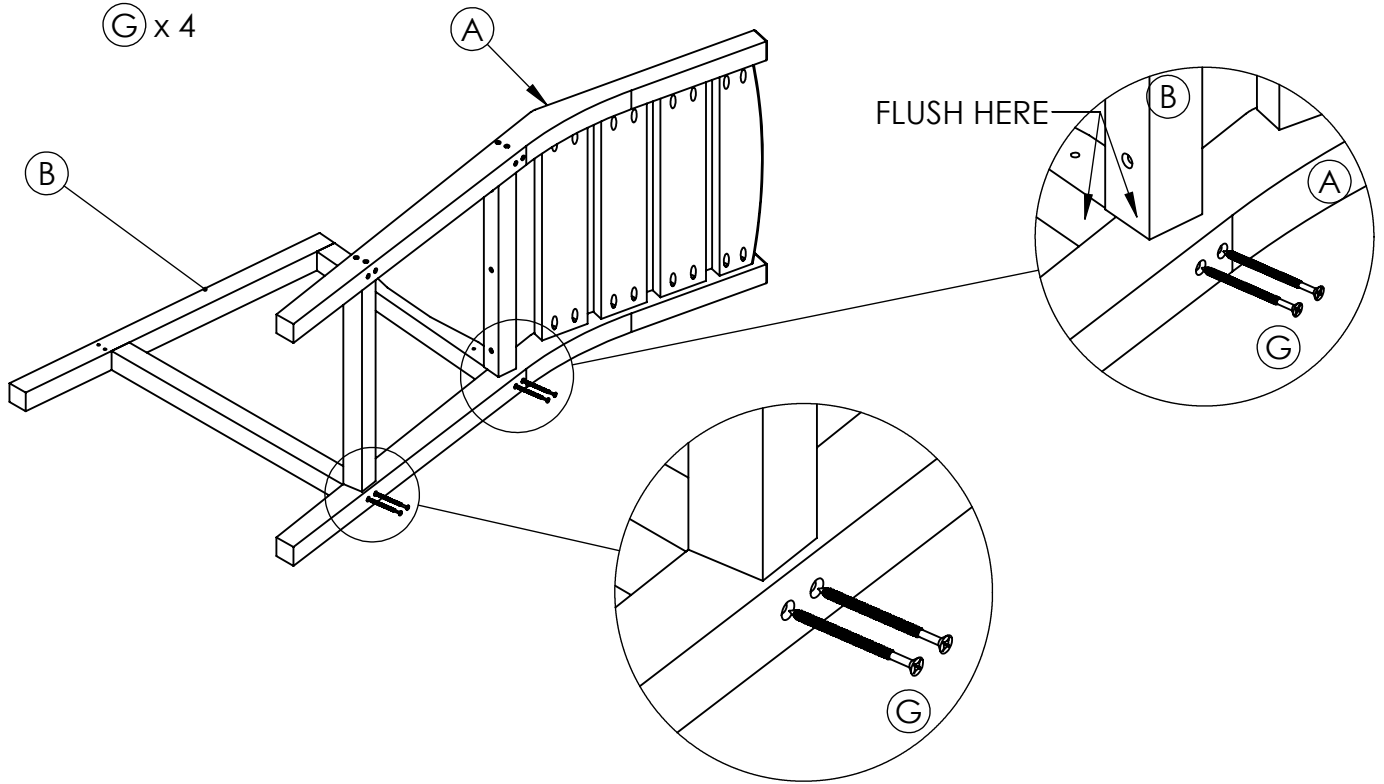
(A) x 1

(B) x 1

(G) x 4



MAKE SURE TO FLUSH FRAME TO BACK CENTER STRINGER AS SHOWN.



2

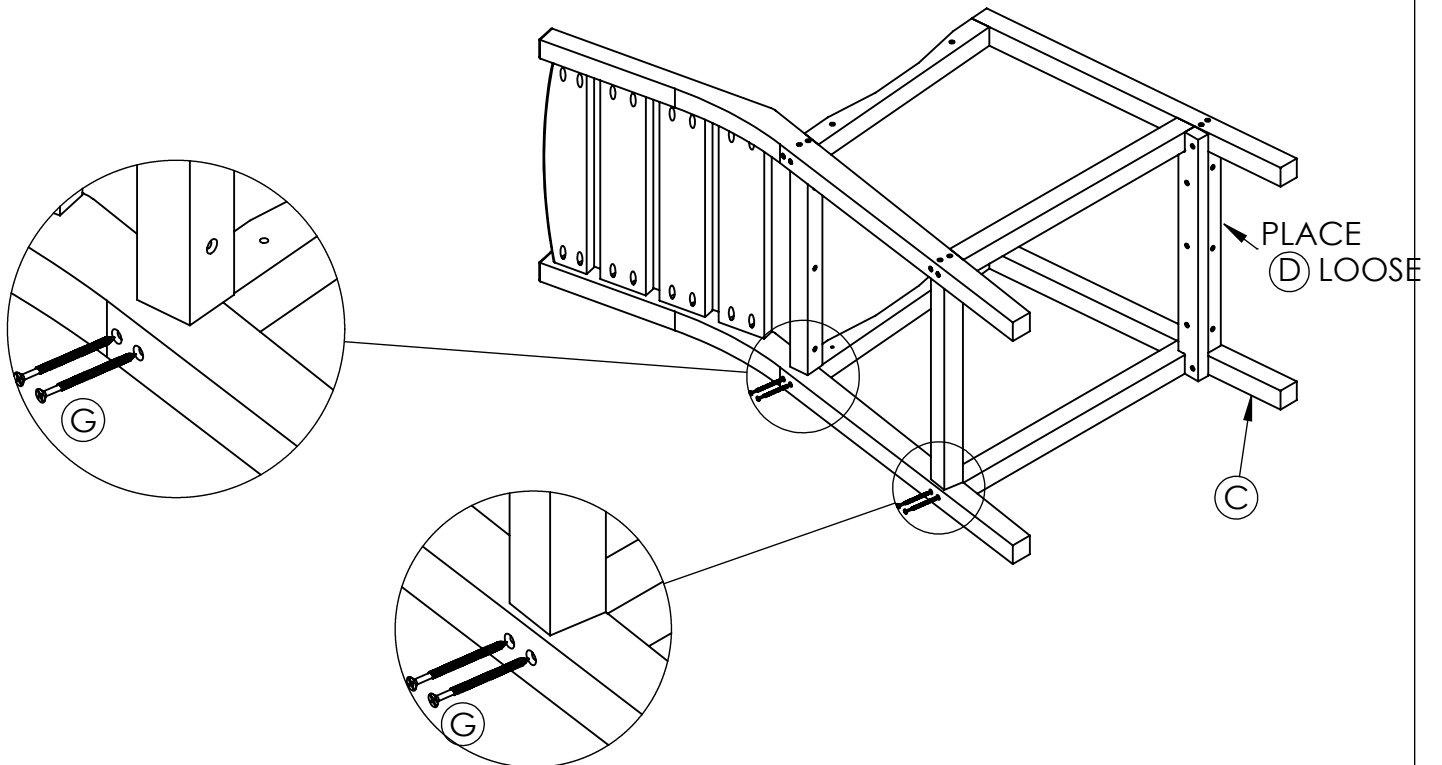
(C) x 1

(D) x 1

(G) x 4



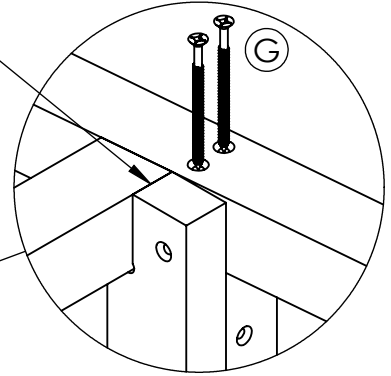
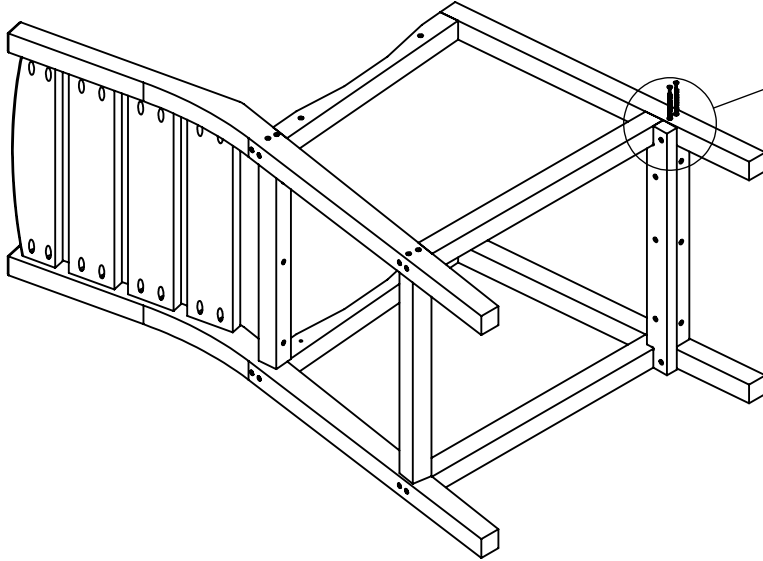
MAKE SURE TO FLUSH FRAME TO BACK CENTER STRINGER AS SHOWN.



3

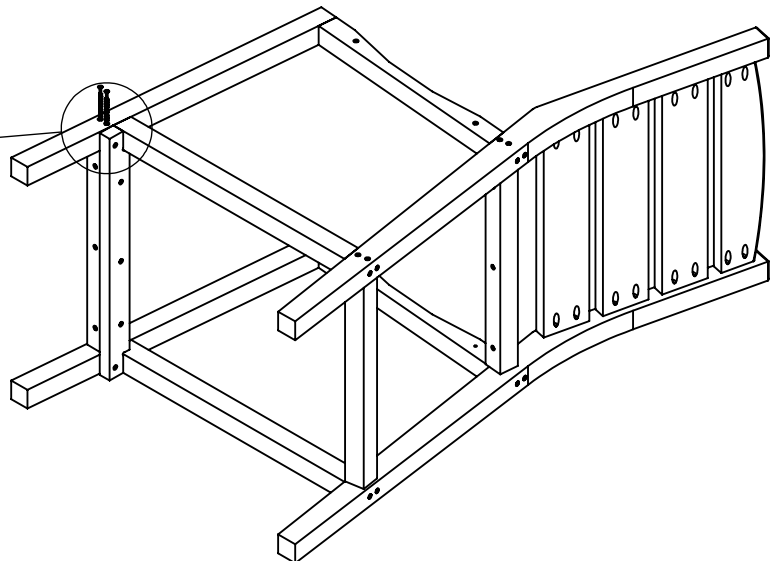
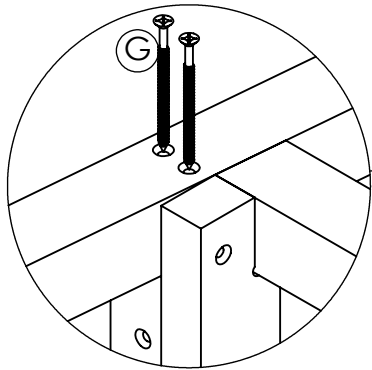
ⓐ x 2

FLUSH THIS



4

ⓐ x 2



5

(E) x 1
(H) x 3



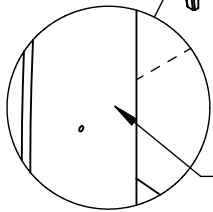
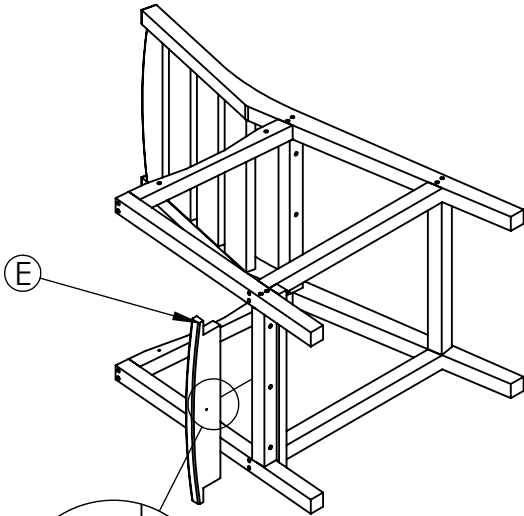
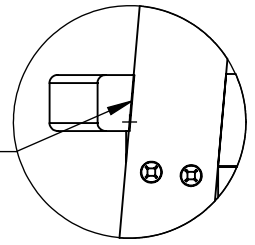
(H)



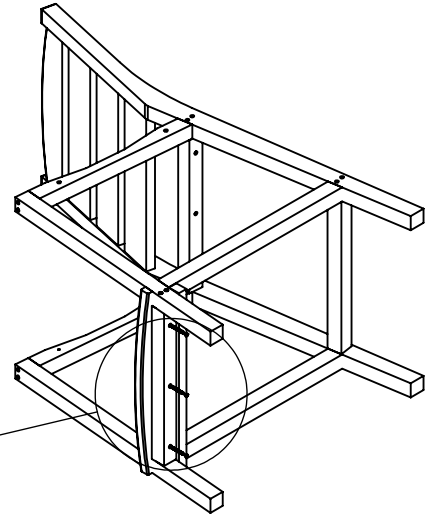
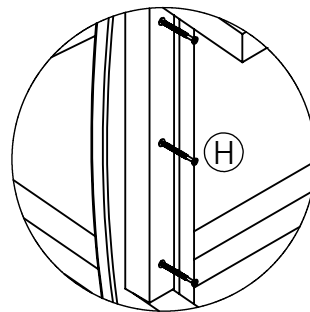
CHECK BEFORE USE

SCREW SCALE 1:1

FLUSH THIS



KEEP PECK MARK
FACE DOWN



6

(H) x 2

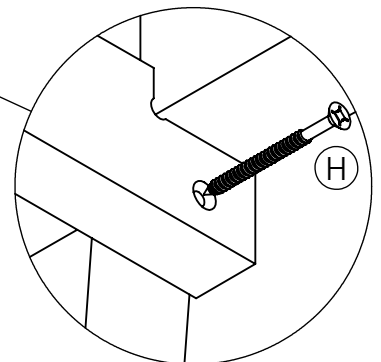
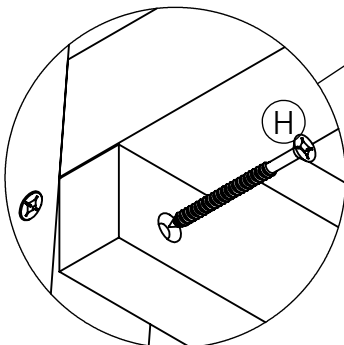
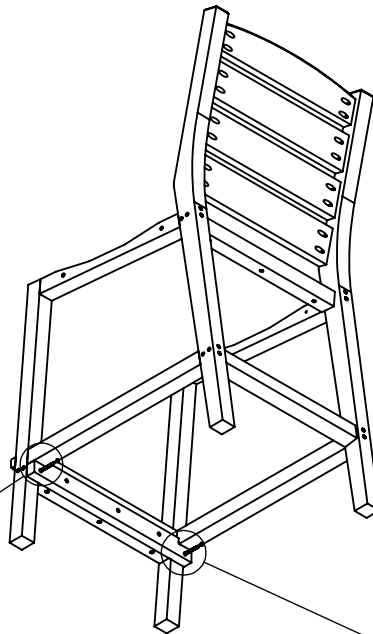
CHECK BEFORE USE



(H)



SCREW SCALE 1:1

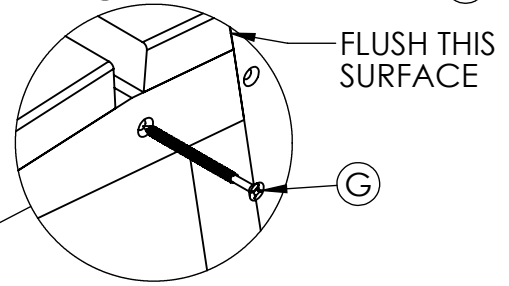


7

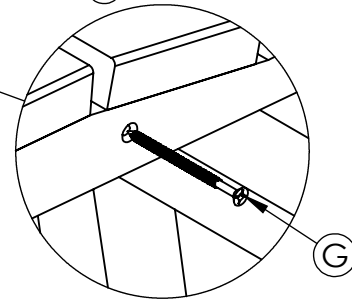
(F) x 1

(G) x 4

STEP 7.1:
PUSH (F) DOWN AND FASTEN (G)



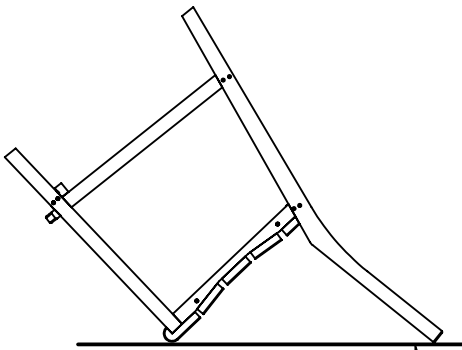
STEP 7.2:
PUSH (F) DOWN AND FASTEN (G)



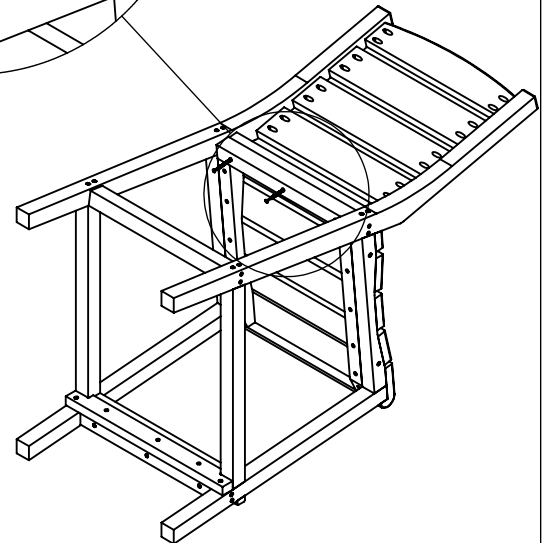
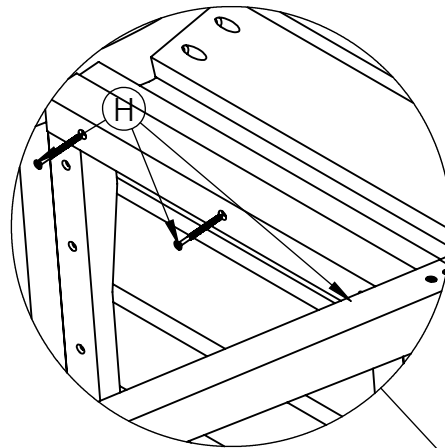
NOTE: REPEAT SAME STEPS FOR OTHER SIDE.

8

(H) x 3



PLACE ON CLEAN/SMOOTH SURFACE TO AVOID SCRATCH



CHECK BEFORE USE

SCREW SCALE 1:1

