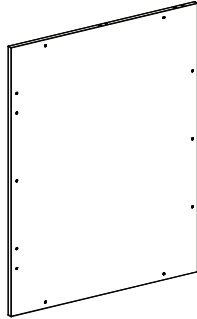


ZEPHYR PRPNLC24A Solid Panel Ready Door Kit

ZEPHYRONLINE.COM

The PRPNLC24A kit allows you to replace your existing glass panel ready door with a solid panel ready door. The kit is compatible with the following coolers: PRB24C01BPG, PRB24C01CPG, PRW24C02BPG, and PRW24C02CPG.

List of Materials



Solid wood panel ready door



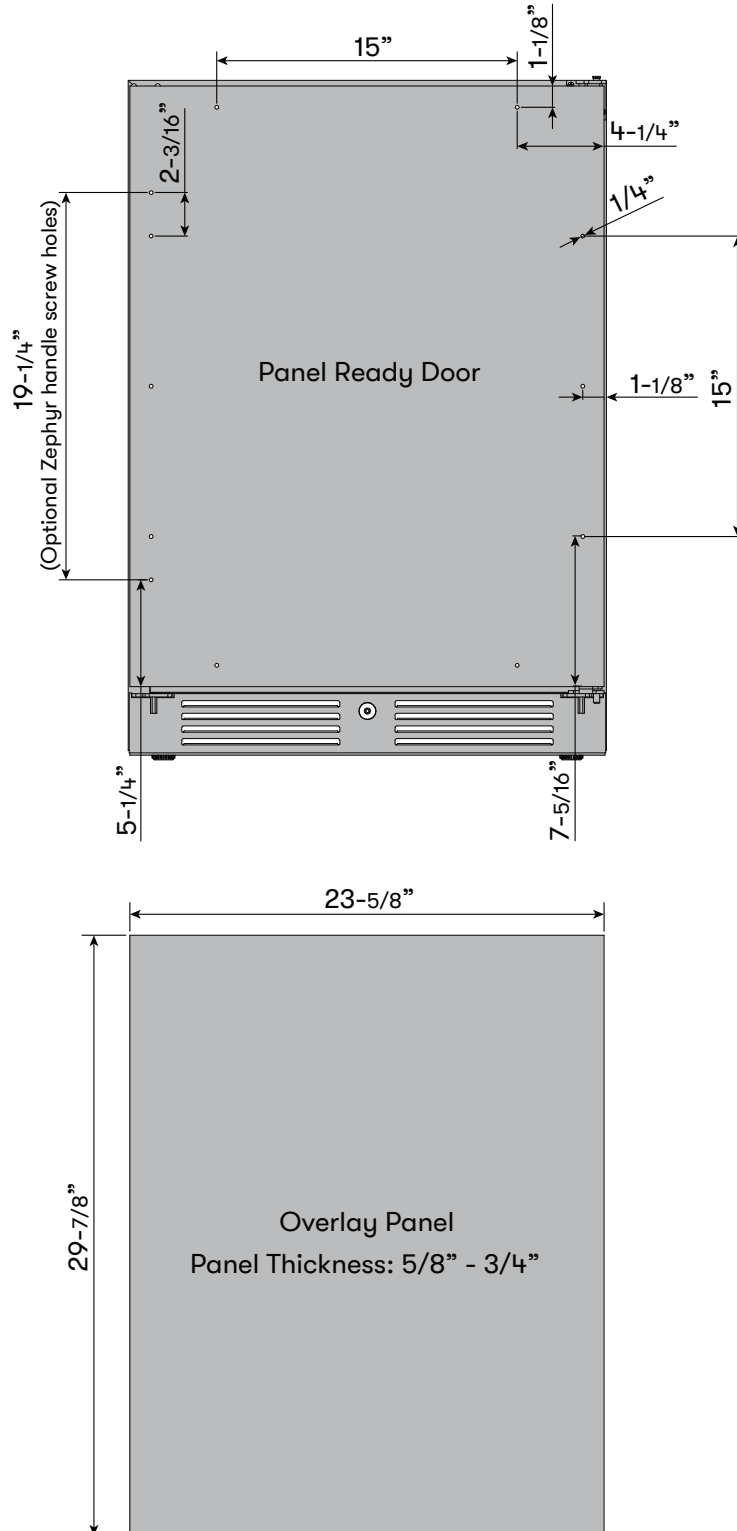
Flat washers ($\Phi 10.5 \times \Phi 17 \times 1.5$)



Flat washers ($\Phi 8.5 \times \Phi 17 \times 1.5$)

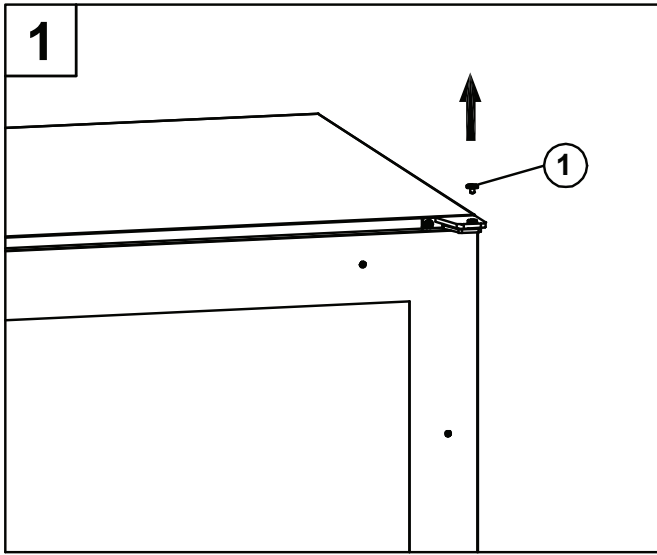
Product Specifications

Wood Overlay Panel Dimensions

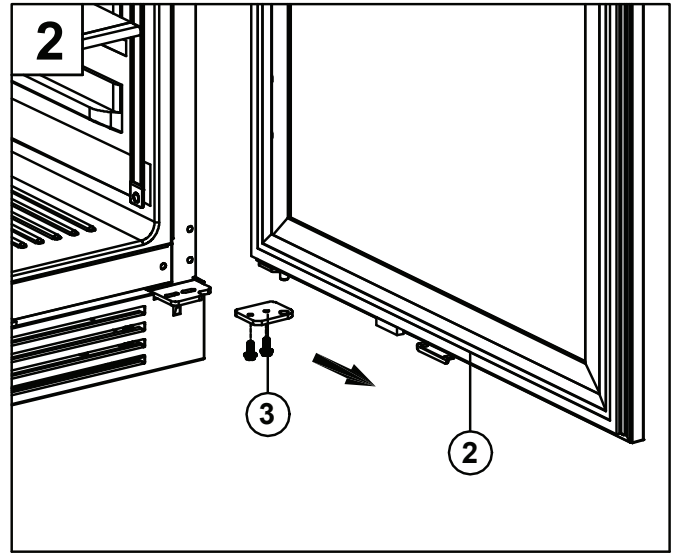


Installing the Solid Panel Ready Door

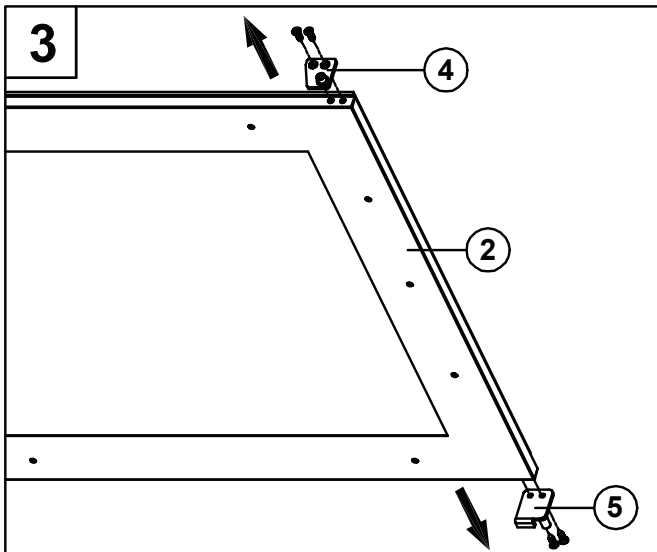
Refer to the installation manual for your product and read all warnings prior to installing the solid panel ready door. To install the solid panel ready door, please follow the instructions below. If you wish to reverse the door swing for your cooler, refer to the installation manual of your specific model.



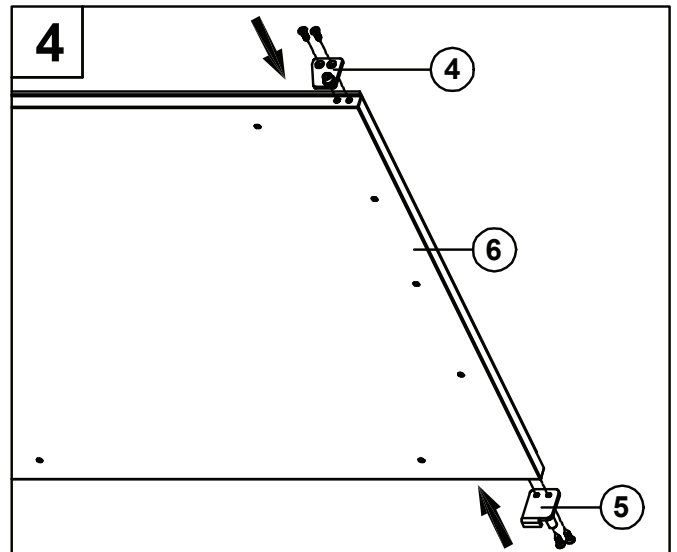
1. From the cooler, remove the top screw (1) on top of the hinge.



2. Remove the 2 screws (M5*8) from the lower door axis. Then, remove the glass panel ready door (2) and axis plate (3).



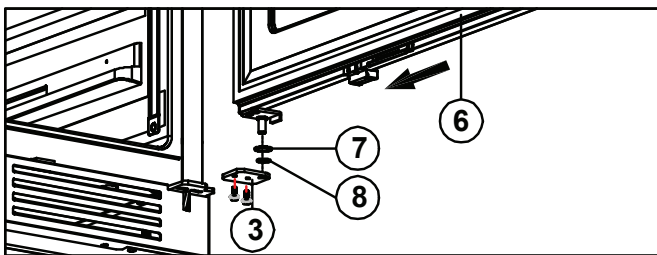
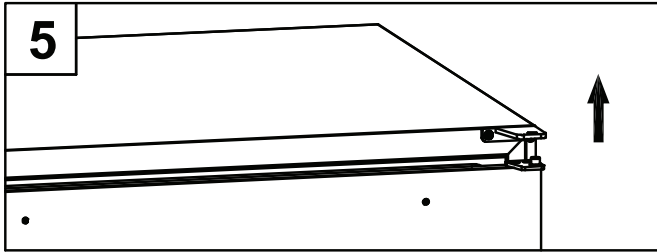
3. From the glass panel ready door (2), remove both the right upper hinge connecting plate (4) and right lower hinge connecting plate (5) by 2 screws (M4*12) each.



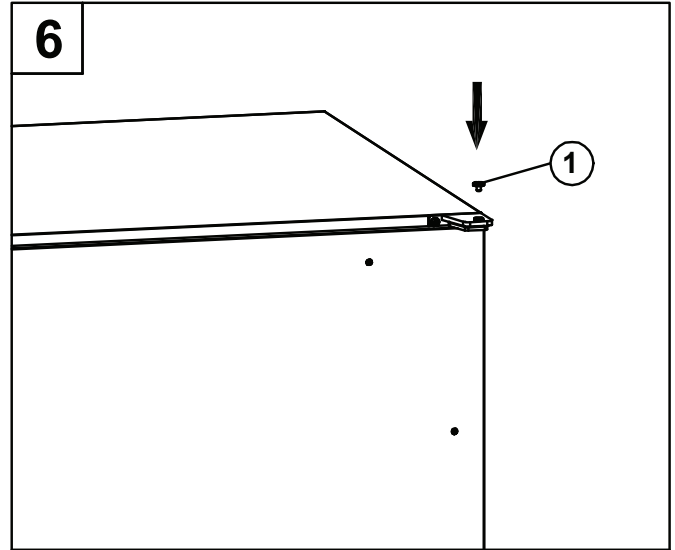
4. Install the right upper hinge connecting plate (4) and right lower hinge connecting plate (5) onto the solid panel ready door (6) by 2 screws (M4*12) each.

Installation Instructions

Installing the Solid Panel Ready Door



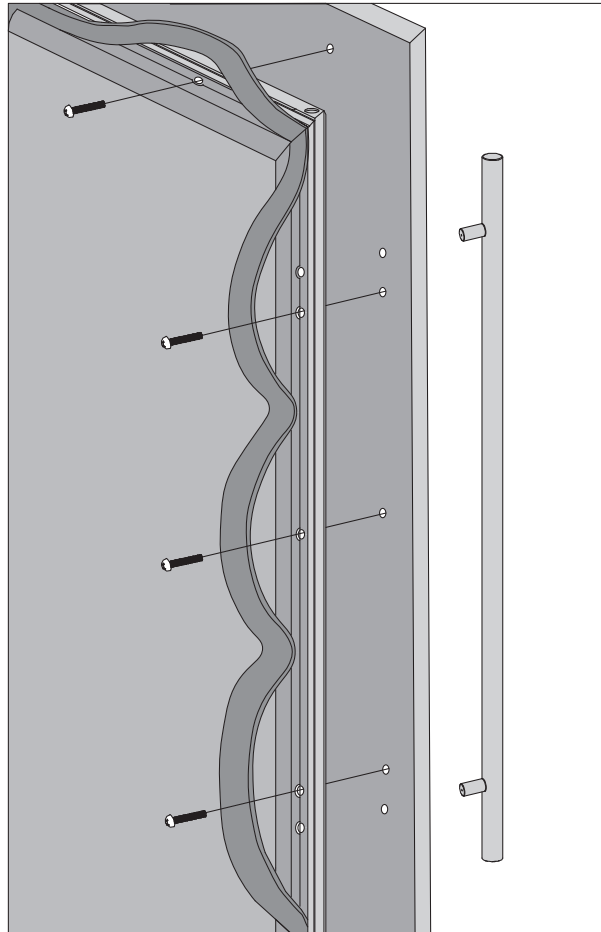
5. Insert the solid panel ready door (6) into the upper right hinge. Secure the door by installing installing (2) washers ($\text{Ø}10.5 \times \text{Ø}17 \times 1.5$) (7) and ($\text{Ø}8.5 \times \text{Ø}17 \times 1.5$) (8) into the lower hinge connecting plate and the axis plate (3) to the lower door axis with 2 screws (M5*8).



6. Reinstall the top screw (1) on top of the hinge.

Installing the Wood Overlay Panel

To install the solid wood overlay panel onto the door, please follow the instructions below. Refer to the dimensions on page 2, to ensure proper measurements prior to installation.



1. Open the door.
2. Temporarily remove the door gasket to see the 10 holes for the overlay panel. There are 2 holes on the top and bottom sides of the door with either 3 or 5 holes on the left and right side depending on where the handle is located. The handle side will have 5 holes.
3. Open the hardware package from your existing panel ready coolers to use the (10) ST4*30 self-tapping screws for the overlay panel.
4. Clamp the overlay panel with the door firmly with bar clamps and screw the self-tapping screws into the overlay panel. Perform this step per screw until the overlay panel is completely secured.
5. Reattach the door gasket and close the door.

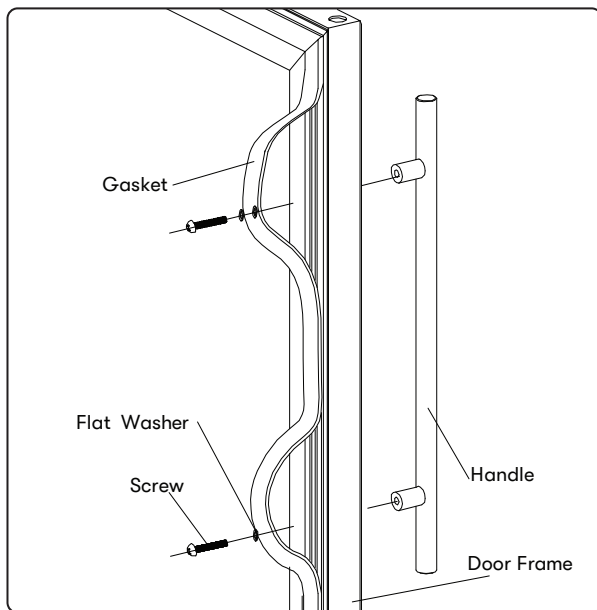
Installation Instructions

Installing the Optional Door Handles

If optional contemporary or pro handles are desired, refer below for the part numbers. You may install your own door handle onto the wood overlay panel. Take care to measure and drill the handle screw holes accurately and source the appropriate screws (not included) unless using Zephyr accessory handles.

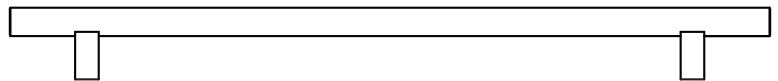
1. Confirm if the wood overlay panel has already been installed onto the unit. If not, refer to installing the wooden overlay panel on page 5, to mount the overlay panel onto the unit.
2. Push aside the door gasket. Under the gasket you will see two designated holes for door handle installation. Mark door handle hole locations on the wood overlay panel.
3. Remove wood overlay panel from door. Using 3/16" drill bit, create holes for handle screws.
4. Re-install wood overlay panel on the door.
5. Install the handle tightly as shown with (2) M4*40 screws and (2) M4 flat washers provided with your existing panel ready cooler.

NOTE: If using a custom handle, install the handle in the position of your choosing with countersunk screw holes prior to installing the wood overlay panel to the door.



Zephyr Presrv Contemporary Handles

- | | |
|--------------------|------------------------|
| Part #: PRHAN-C101 | Color: Stainless Steel |
| Part #: PRHAN-C102 | Color: Brushed Gold |
| Part #: PRHAN-C104 | Color: Matte Black |



Zephyr Presrv Pro Handle

- | | |
|--------------------|------------------------|
| Part #: PRHAN-C001 | Color: Stainless Steel |
|--------------------|------------------------|

