

900mm CoolDrawer™ with Door Panel

Model no:

RB90S64MKIW1 with EZKleen Stainless Steel façade [part number 840545] (refer page 2 for imperial measurements)

Product Dimensions	mm
Ⓐ Overall height of CoolDrawer™ (including optional façade)	655
Ⓑ Overall width of CoolDrawer™ (including optional façade)	896
Ⓒ Depth of CoolDrawer™ front panel (excludes handle)	18
Ⓓ Depth of CoolDrawer™ chassis (includes power terminal)	557
Ⓔ Height of optional drawer façade	476
Ⓕ Height from bottom datum to bottom of drawer panel	179
Ⓖ Height from bottom datum to bottom of handle	574
Ⓗ Height from bottom datum to top of handle	590
Ⓚ Width of handle	866
Ⓛ Depth of handle measured from front of drawer	41
Ⓜ With of chassis	855
Ⓝ Height of chassis at rear	640
Ⓞ Depth of drawer door (excludes optional façade)	45
Ⓟ Depth of drawer (open) (measured from front drawer panel) excluding handle	520

Minimum Clearances	mm
Minimum inside height of cavity from bottom datum*	665
Minimum inside width of cabinetry	864
Minimum inside depth of cavity from front datum	560
Minimum gap between drawer panel to top of custom false panel	4

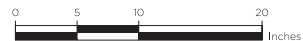
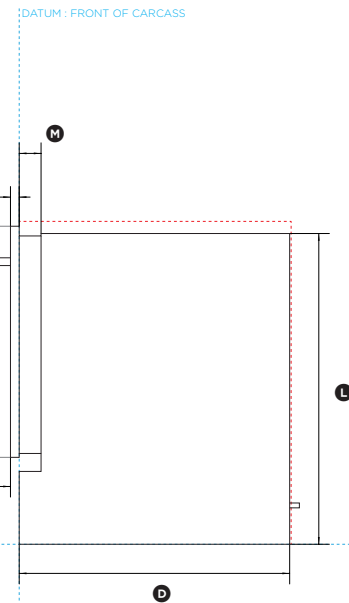
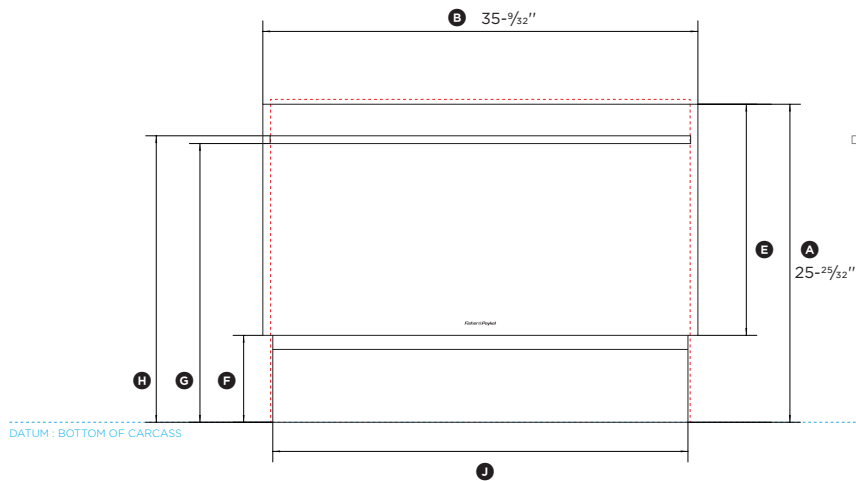
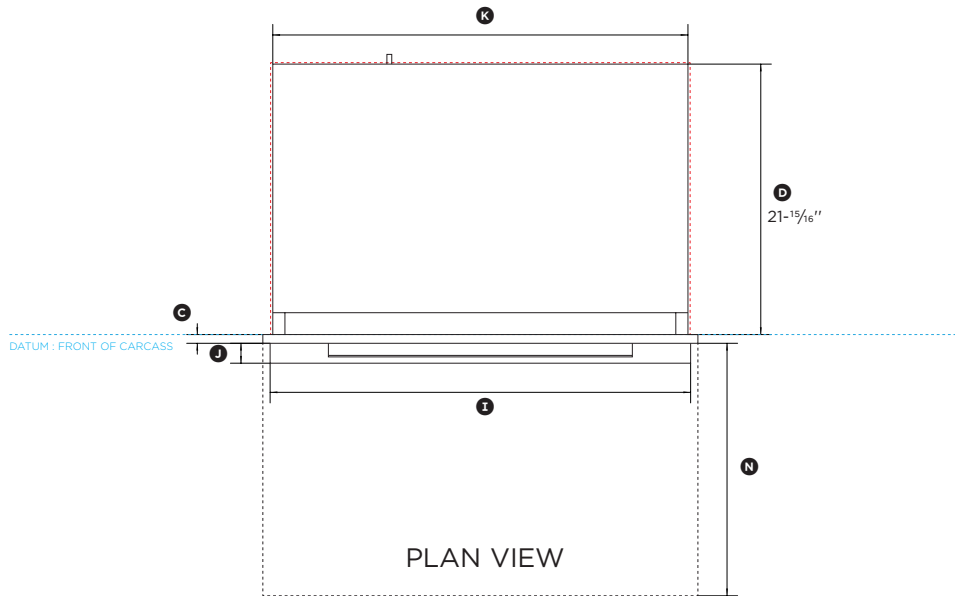
* Minimum internal height of cabinetry can be 644mm if outlet duct is not used. Please refer to installation manual for details.

INDICATES CABINETRY CARCASS DATUM -----
 INDICATES MINIMUM CABINETRY CLEARANCES - - - - -

DATE: 29.04.2013

IMPORTANT NOTE: Throughout this guide, dimensions may vary by ±2mm (3/32"). Please read the installation manual for detailed information on installing the product. www.fisherpaykel.com





36" CoolDrawer™ with Door Panel

Model no:

RB36S25MKIW1 with EZKleen Stainless Steel façade [part number 840545] (refer page 1 for metric measurements)

Product Dimensions	in
Ⓐ Overall height of CoolDrawer™™ (including optional façade)	25- ²⁵ / ₃₂ "
Ⓑ Overall width of CoolDrawer™™ (including optional façade)	35- ⁹ / ₃₂ "
Ⓒ Depth of CoolDrawer™™ front panel (excludes handle)	2 ³ / ₃₂ "
Ⓓ Depth of CoolDrawer™™ chassis (includes power terminal)	21- ¹⁵ / ₁₆ "
Ⓔ Height of optional drawer façade	18- ³ / ₄ "
Ⓕ Height from bottom datum to bottom of drawer panel	7- ¹ / ₁₆ "
Ⓖ Height from bottom datum to bottom of handle	22- ¹⁹ / ₃₂ "
Ⓗ Height from bottom datum to top of handle	23- ⁷ / ₃₂ "
Ⓘ Width of handle	34- ³ / ₃₂ "
Ⓚ Depth of handle measured from front of drawer	1- ⁹ / ₁₆ "
Ⓛ With of chassis	33- ²¹ / ₃₂ "
Ⓜ Height of chassis at rear	25- ³ / ₁₆ "
Ⓝ Depth of drawer door (excludes optional façade)	1- ²⁵ / ₃₂ "
Ⓞ Depth of drawer (open) (measured from front drawer panel) excluding handle	20- ¹⁵ / ₃₂ "

Minimum Clearances	in
Minimum inside height of cavity from bottom datum*	26- ⁷ / ₁₆ "
Minimum inside width of cabinetry	34- ¹ / ₃₂ "
Minimum inside depth of cavity from front datum	22- ¹ / ₁₆ "
Minimum gap between drawer panel to top of custom false panel	⁵ / ₃₂ "

* Minimum internal height of cabinetry can be 25-¹¹/₃₂" if outlet duct is not used. Please refer to installation manual for details.

INDICATES CABINERY CARCASS DATUM -----
INDICATES MINIMUM CABINERY CLEARANCES - - - - -

DATE: **01.08.2013**

IMPORTANT NOTE: Throughout this guide, dimensions may vary by ±2mm (3/32"). Please read the installation manual for detailed information on installing the product. www.fisherpaykel.com

Fisher & Paykel