



---

# DESIGN GUIDE

## TABLE OF CONTENTS

---

3	M SERIES OVENS
16	E SERIES OVENS
30	L SERIES OVEN
34	CONVECTION STEAM OVENS
40	SPEED OVENS
46	MICROWAVE OVENS
62	WARMING DRAWERS
68	INDUCTION   ELECTRIC COOKTOPS
76	GAS COOKTOPS
84	MODULE COOKTOPS
94	COFFEE SYSTEMS
100	CUP WARMING DRAWERS
106	VACUUM SEAL DRAWER
112	DUAL FUEL RANGES
118	GAS RANGES
124	INDUCTION RANGES
128	SEALED BURNER RANGETOPS
134	OUTDOOR GRILLS   MODULES   ACCESSORIES
146	COOKTOP VENTILATION
160	DOWNDRAFT VENTILATION
166	PRO VENTILATION
180	WOLF WARRANTIES



Features and specifications are subject to change at any time without notice. Visit [wolfappliance.com/specs](http://wolfappliance.com/specs) for the most up-to-date information.

Throughout this guide, dimensions may vary by  $\pm 1/8"$  (3). Dimensions in parentheses are millimeters unless otherwise specified.



---

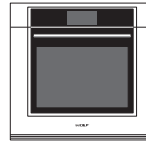
M SERIES OVENS

### M Series Built-In Ovens

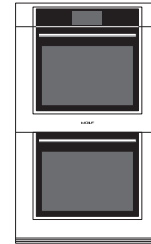
Contemporary M series ovens include stainless steel and black glass models. Superior performance features include a more advanced dual vertical convection fan system, touchscreen controls, convenient preset cooking programs, and improved interior lighting. There is more usable space inside for deliciousness on a grand scale. M series ovens can be installed in a standard or flush inset application.

#### M SERIES OVENS

##### TRANSITIONAL

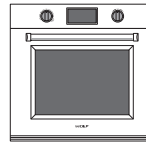


SO30TM/S/TH

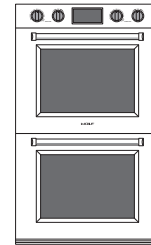


DO30TM/S/TH

##### PROFESSIONAL



SO30PM/S/PH



DO30PM/S/PH

##### CONTEMPORARY



SO30CM/S



SO30CM/B



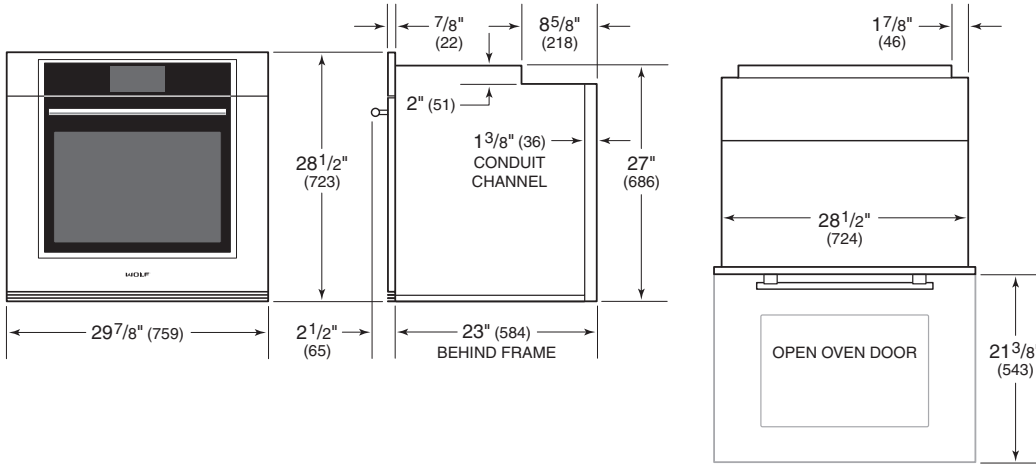
DO30CM/S



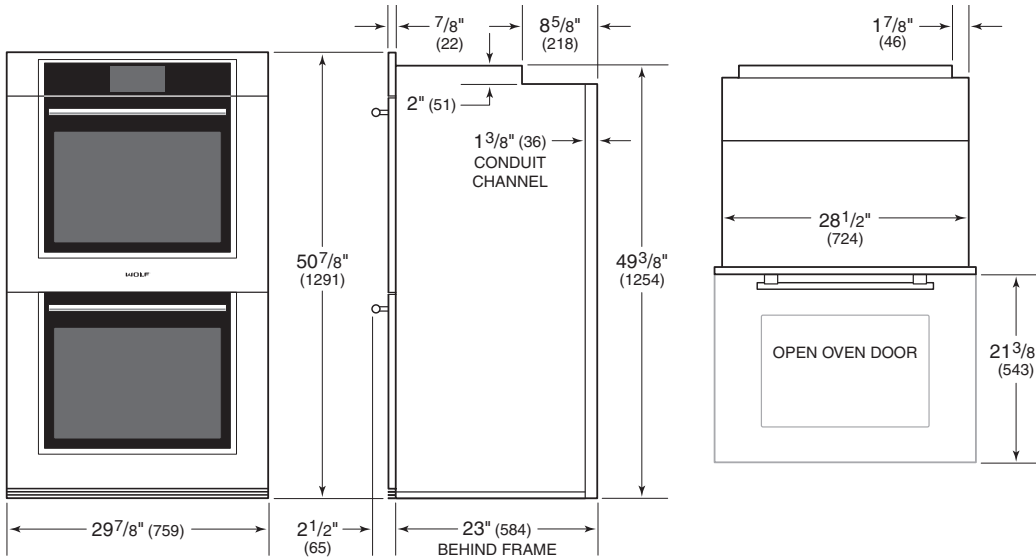
DO30CM/B

30" M Series Built-In Ovens

TRANSITIONAL SINGLE OVEN



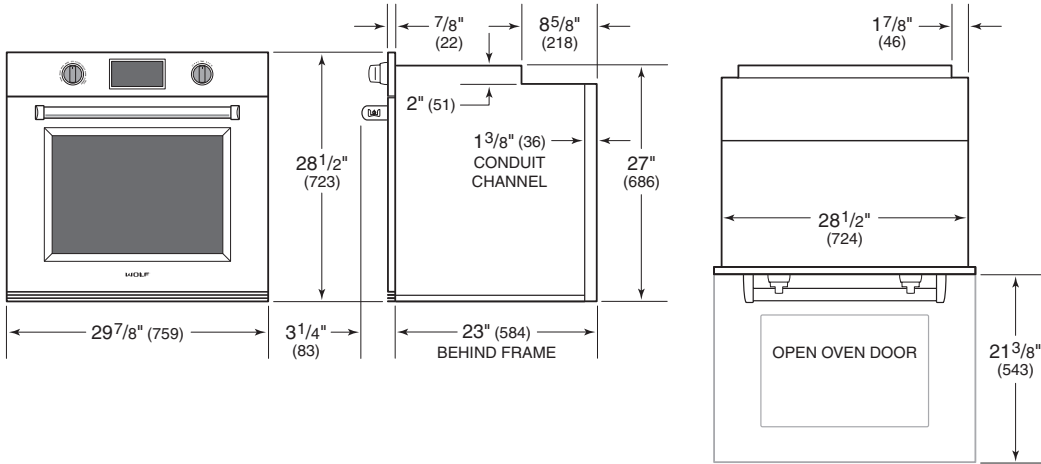
TRANSITIONAL DOUBLE OVEN



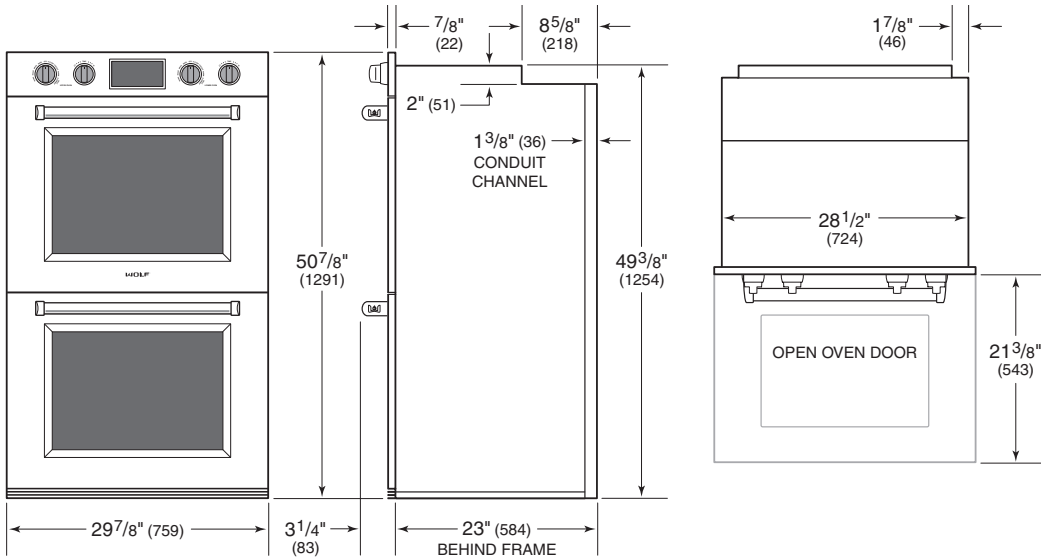
**M SERIES OVENS**

**30" M Series Built-In Ovens**

**PROFESSIONAL SINGLE OVEN**



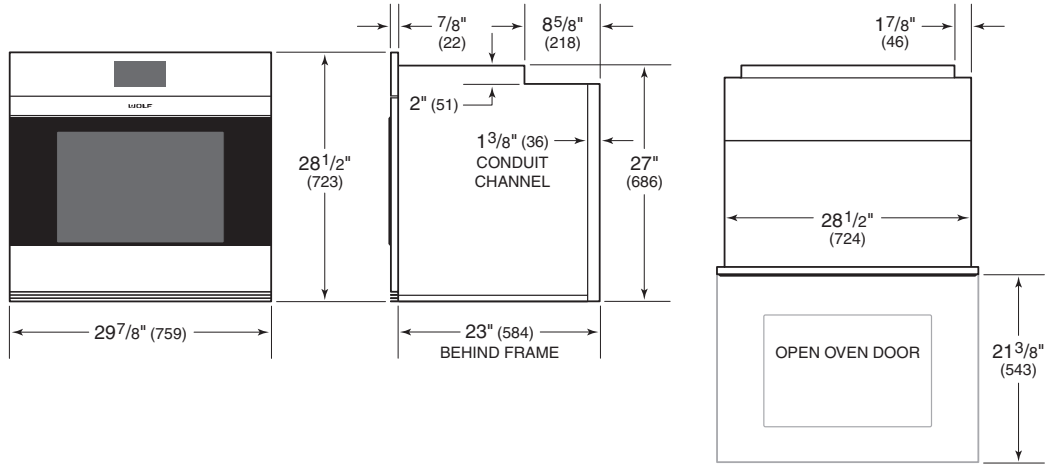
**PROFESSIONAL DOUBLE OVEN**



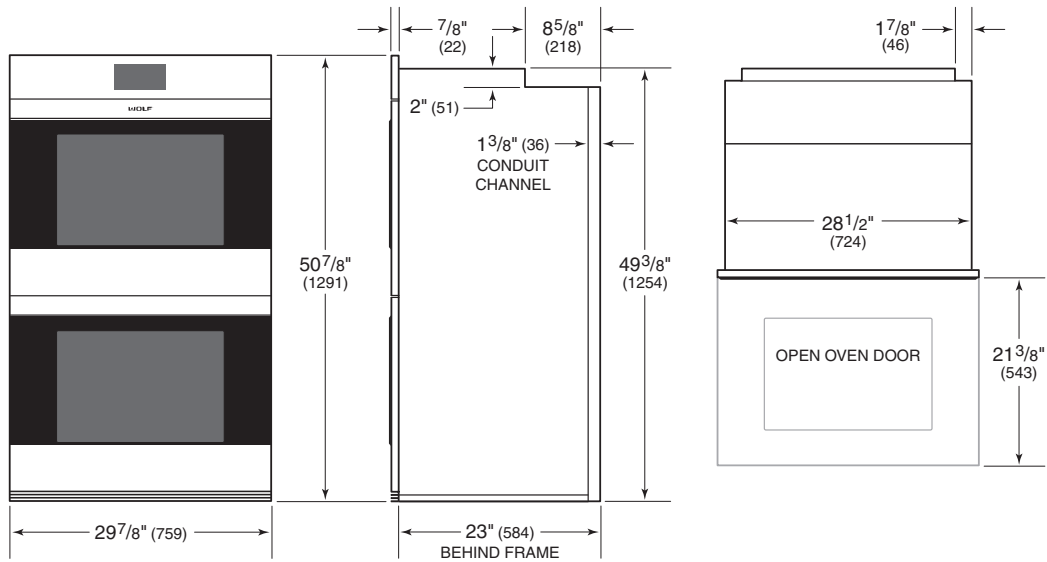
**M SERIES OVENS**

**30" M Series Built-In Ovens**

**CONTEMPORARY STAINLESS STEEL SINGLE OVEN**



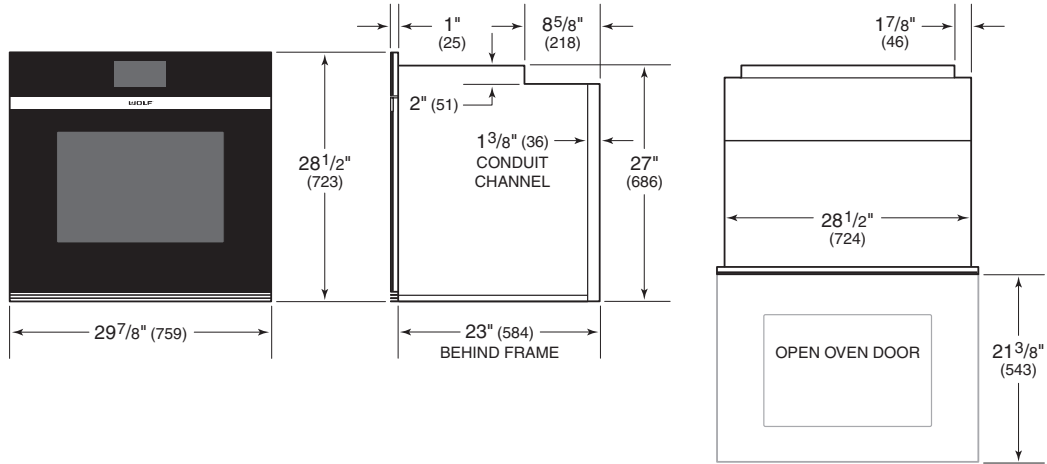
**CONTEMPORARY STAINLESS STEEL DOUBLE OVEN**



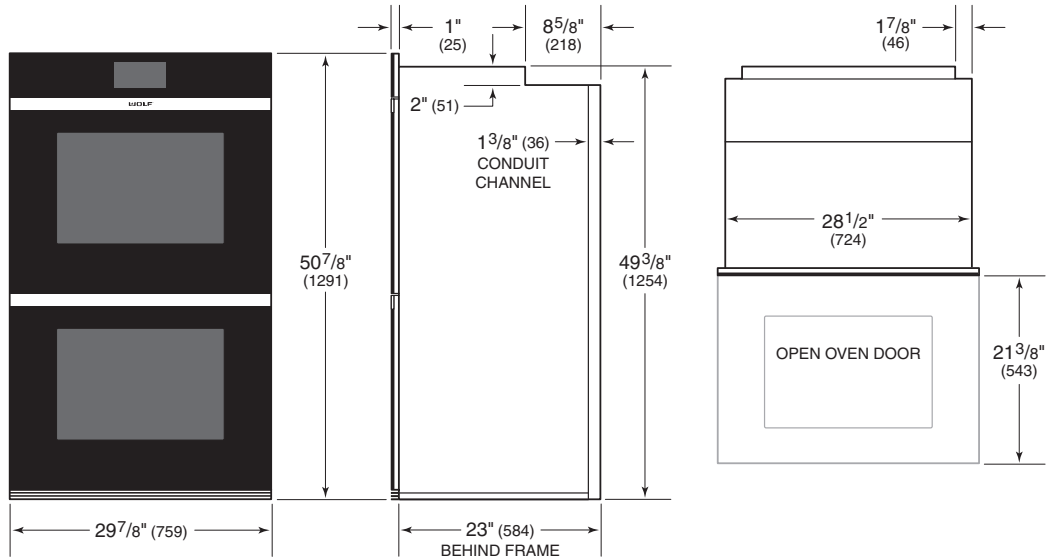
**M SERIES OVENS**

**30" M Series Built-In Ovens**

**CONTEMPORARY BLACK GLASS SINGLE OVEN**



**CONTEMPORARY BLACK GLASS DOUBLE OVEN**





## Planning Information

The M series oven can be installed in a standard or flush inset application. If a cooktop is being installed above an oven, a minimum of 1/4" (6) is required between the units. The location of the electrical supply within the oven opening may require additional cabinet depth.

Finish the edges of the opening. They may be visible when the door is open.

For standard installations, the face trim will overlap stiles and rails. Refer to the chart below.

For flush inset installations, a minimum 1/8" (3) reveal is required on all sides. To ensure consistent reveals, each corner of the opening must be exactly 90°.

### INSTALLATION REQUIREMENTS

BASE SUPPORT	MIN
Single Oven	250 lb (115 kg)
Double Oven	400 lb (181 kg)

TRIM OVERLAP	
Top	1" (25)
Bottom	0" (0)
Sides	1 1/16" (18)

### DUAL INSTALLATION

Two 30" single M series ovens can be installed side by side in a standard or flush inset application. A dual installation kit is required. To maintain appropriate airflow, the ovens must be installed into one opening. Any cosmetic or structural material placed between the ovens will impede airflow and is not recommended. Refer to the illustrations on pages 14–15.

The dual installation kit is available through an authorized Wolf dealer. For local dealer information, visit the find a showroom section of our website, [wolfappliance.com](http://wolfappliance.com).

## ELECTRICAL REQUIREMENTS

Installation must comply with all applicable electrical codes.

Locate the electrical supply flush with the back wall and within the shaded area shown in the illustrations on the following pages. For ease of installation, the electrical supply for the oven can be placed in an adjacent cabinet within reach of the conduit.

Performance may be compromised if the electrical supply is less than 240 volts.

The oven is supplied with a conduit consisting of two insulated hot lead conductors and a bare ground conductor. The wiring diagram covering the control circuit is provided with the oven.

### ELECTRICAL REQUIREMENTS—SINGLE OVEN

Electrical Supply	grounded, 240/208 VAC, 60 Hz
Service	30 amp dedicated circuit
Conduit	4' (1.2 m)
Total Amps	22
Max Connected Load	5.4 kW

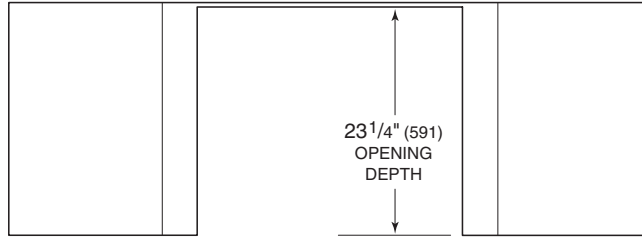
### ELECTRICAL REQUIREMENTS—DOUBLE OVEN

Electrical Supply	grounded, 240/208 VAC, 60 Hz
Service	50 amp dedicated circuit
Conduit	5' (1.5 m)
Total Amps	45
Max Connected Load	10.8 kW

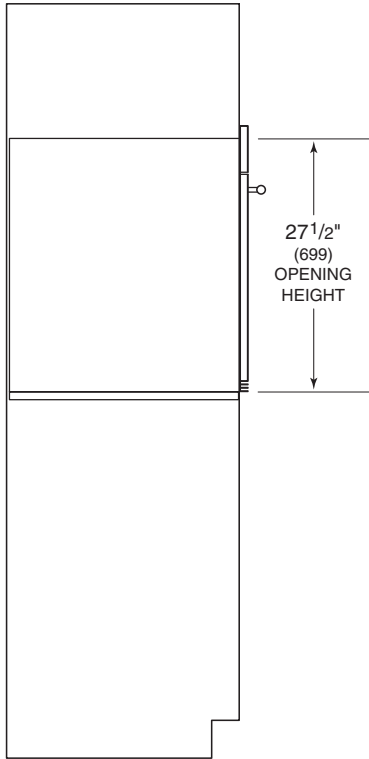
M SERIES OVENS

30" M Series Single Oven

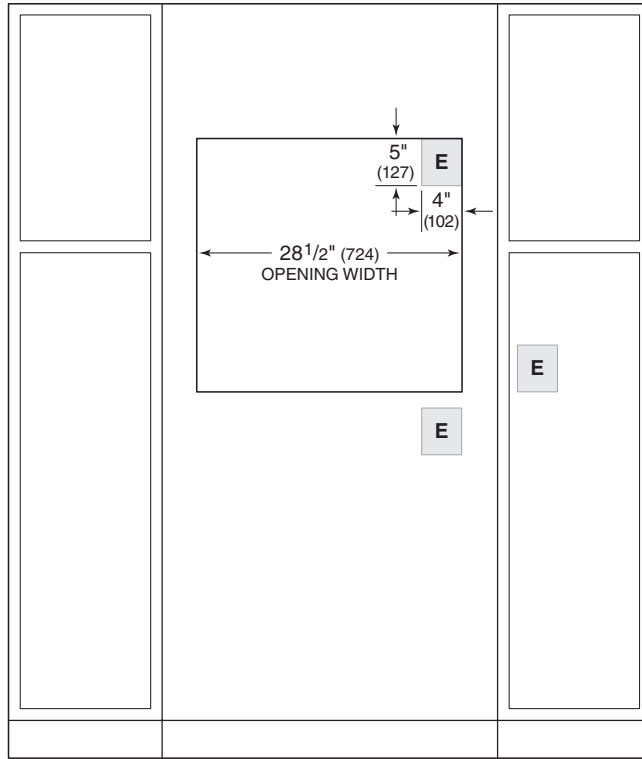
STANDARD INSTALLATION



TOP VIEW



SIDE VIEW



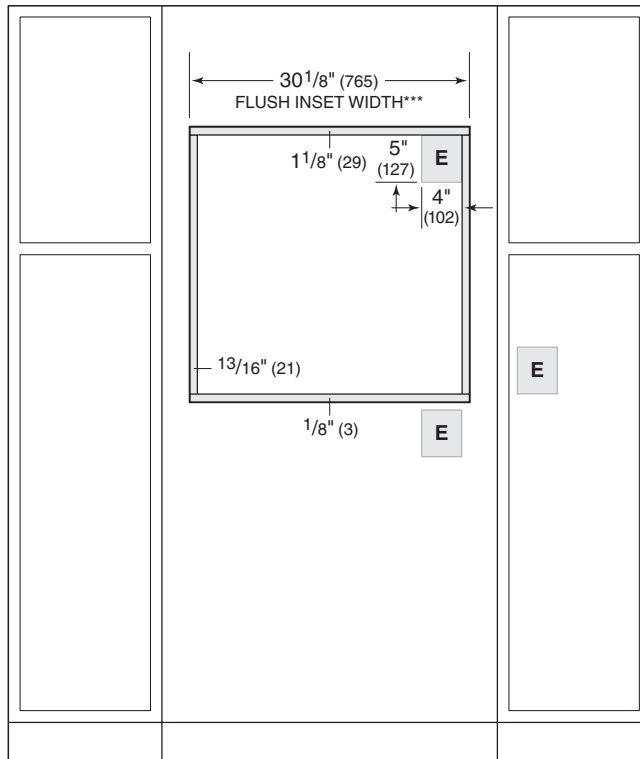
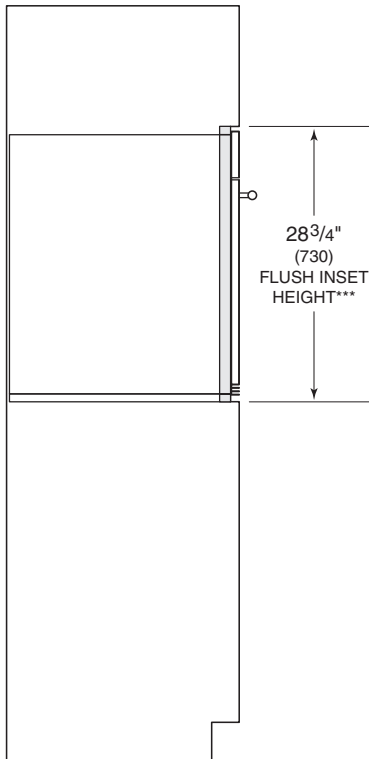
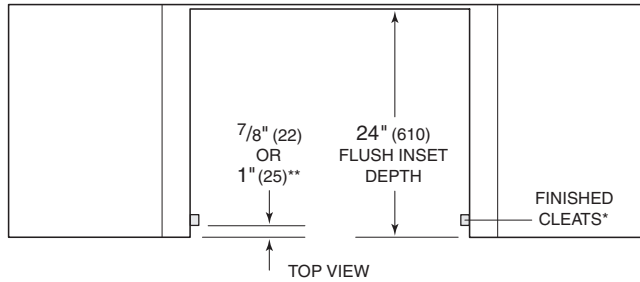
FRONT VIEW

NOTE: Location of electrical supply within opening may require additional cabinet depth.

M SERIES OVENS

30" M Series Single Oven

FLUSH INSET INSTALLATION



SIDE VIEW

FRONT VIEW

\*1" (25) minimum depth. Shaded areas will be visible and should be finished to match cabinetry.

\*\*7/8" (22) for transitional, professional and contemporary stainless steel models and 1" (25) for contemporary black glass model.

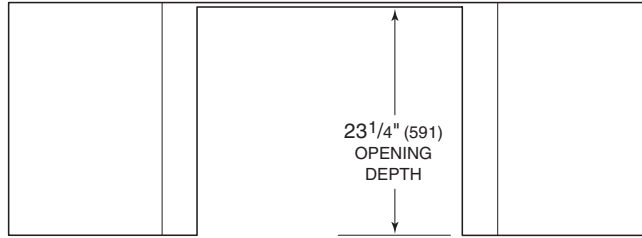
\*\*\*Dimension provides minimum reveals.

NOTE: Location of electrical supply within opening may require additional cabinet depth.

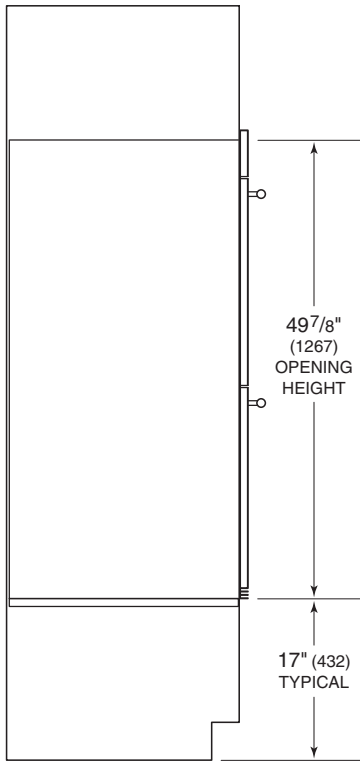
M SERIES OVENS

30" M Series Double Oven

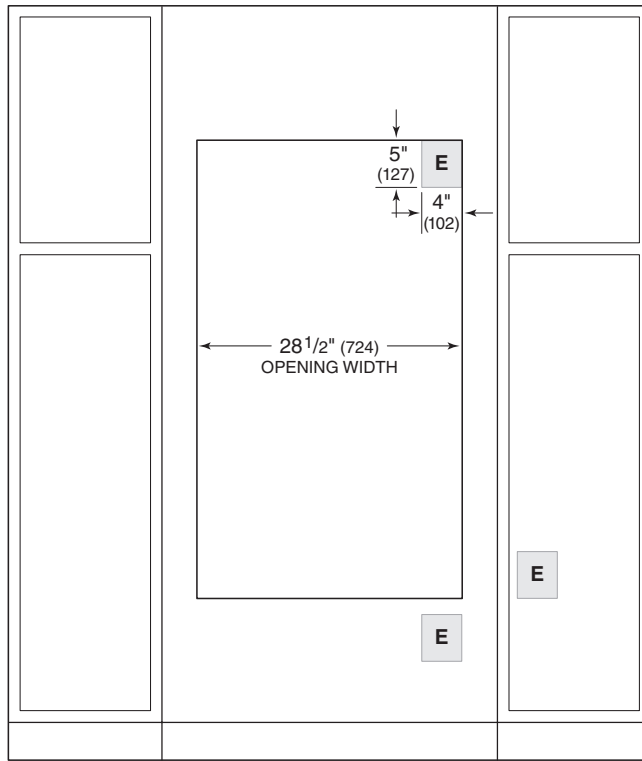
STANDARD INSTALLATION



TOP VIEW



SIDE VIEW

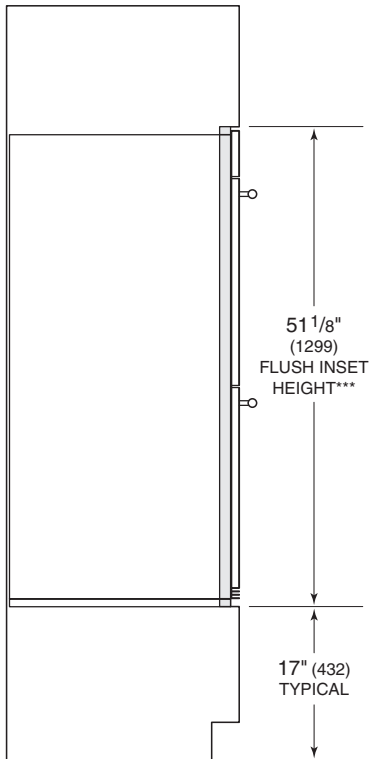
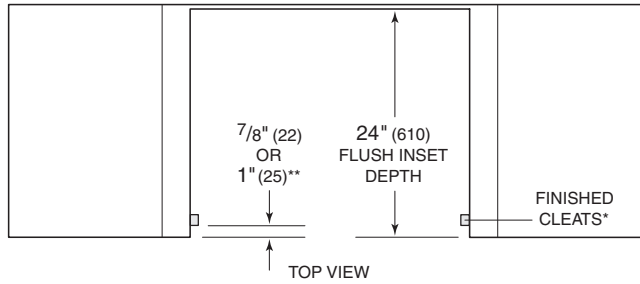


FRONT VIEW

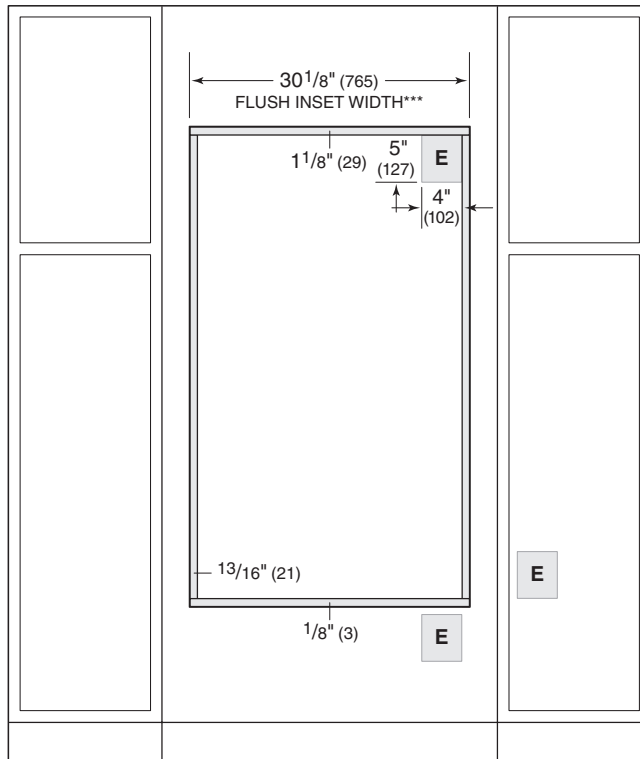
NOTE: Location of electrical supply within opening may require additional cabinet depth.

30" M Series Double Oven

FLUSH INSET INSTALLATION



SIDE VIEW



FRONT VIEW

\*1" (25) minimum depth. Shaded areas will be visible and should be finished to match cabinetry.

\*\*7/8" (22) for transitional, professional and contemporary stainless steel models and 1" (25) for contemporary black glass model.

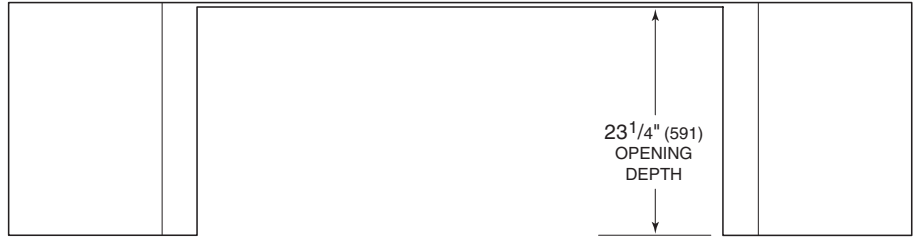
\*\*\*Dimension provides minimum reveals.

NOTE: Location of electrical supply within opening may require additional cabinet depth.

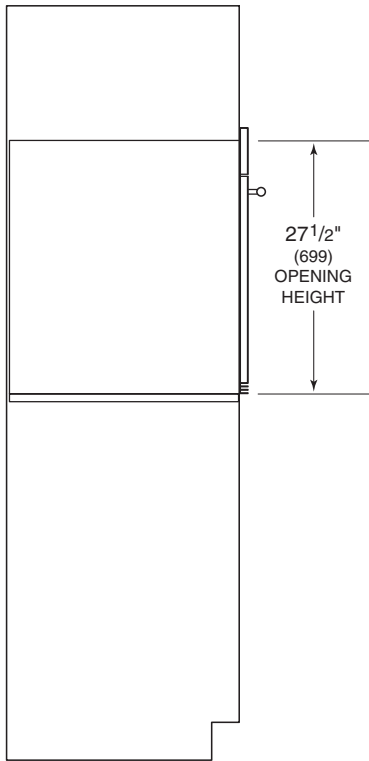
M SERIES OVENS

30" M Series Single Oven

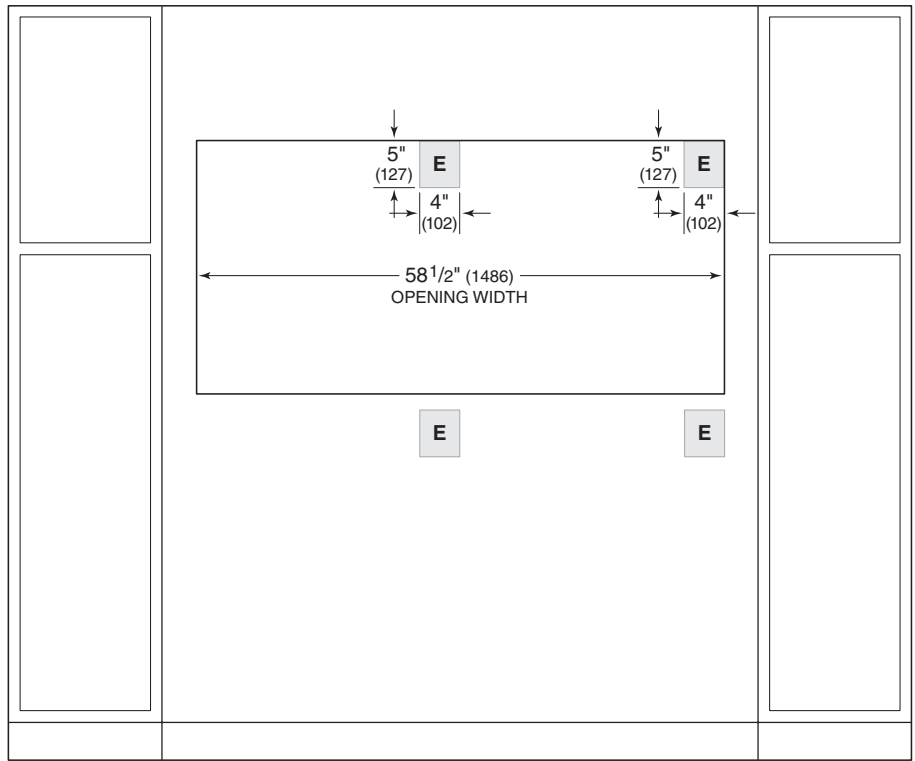
DUAL STANDARD INSTALLATION



TOP VIEW



SIDE VIEW



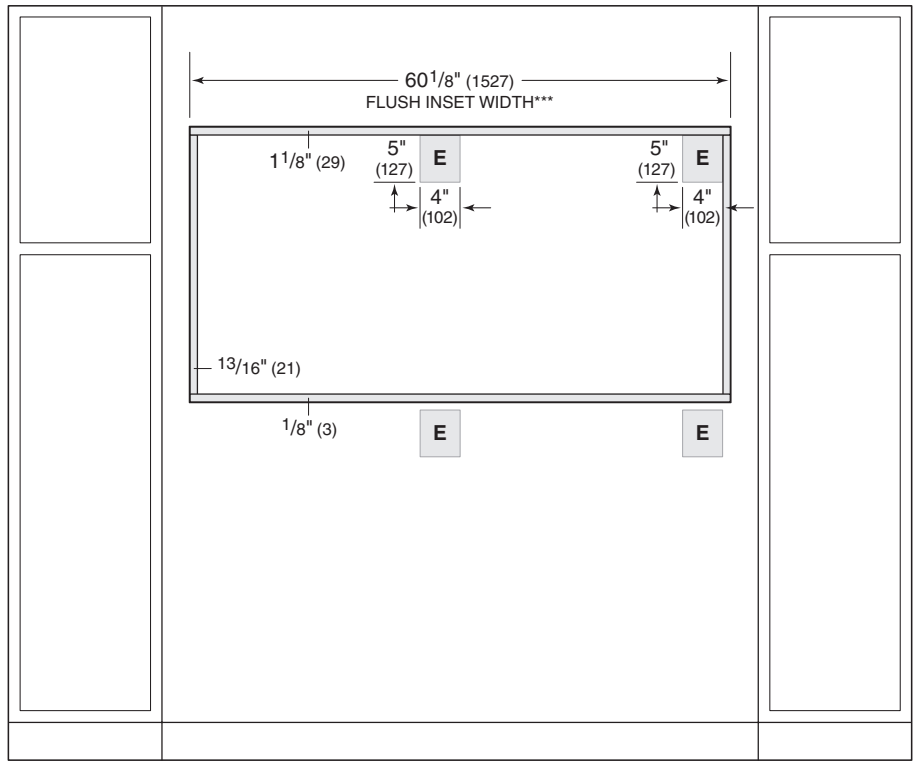
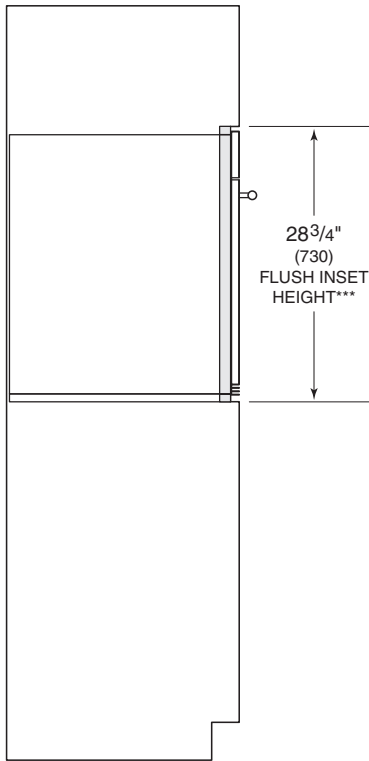
FRONT VIEW

NOTE: Location of electrical supply within opening may require additional cabinet depth. A dual installation kit is required for this installation.

M SERIES OVENS

30" M Series Single Oven

DUAL FLUSH INSET INSTALLATION



\*1" (25) minimum depth. Shaded areas will be visible and should be finished to match cabinetry.

\*\*7/8" (22) for transitional, professional and contemporary stainless steel models and 1" (25) for contemporary black glass model.

\*\*\*Dimension provides minimum reveals.

NOTE: Location of electrical supply within opening may require additional cabinet depth. A dual installation kit is required for this installation.



---

E SERIES OVENS



### E Series Built-In Ovens

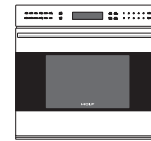
Wolf E series ovens are crafted of stainless steel. The handles match the rest of the Wolf cooking appliance offering, providing a more cohesive look. E series ovens can be installed in a standard or flush inset application.

#### E SERIES OVENS

##### TRANSITIONAL



SO24TE/S/TH

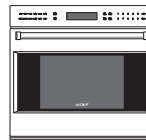


SO30TE/S/TH



DO30TE/S/TH

##### PROFESSIONAL



SO30PE/S/PH



DO30PE/S/PH

##### CONTEMPORARY



SO30CE/B/TH

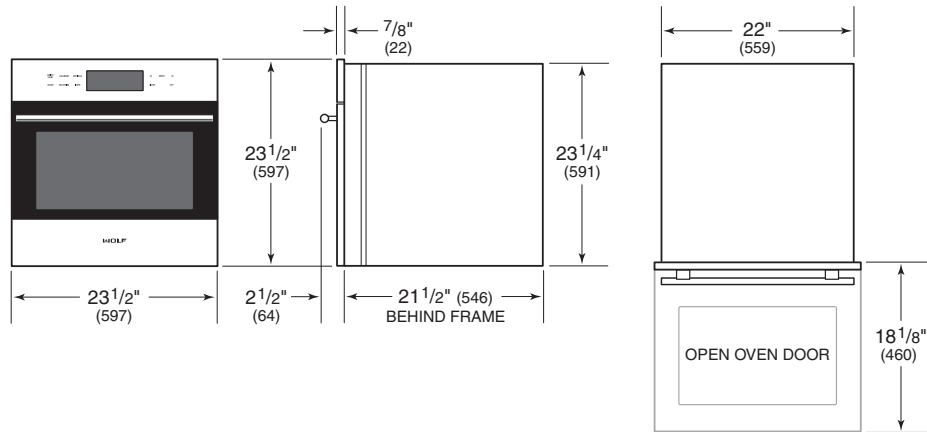


DO30CE/B/TH

# E SERIES OVENS

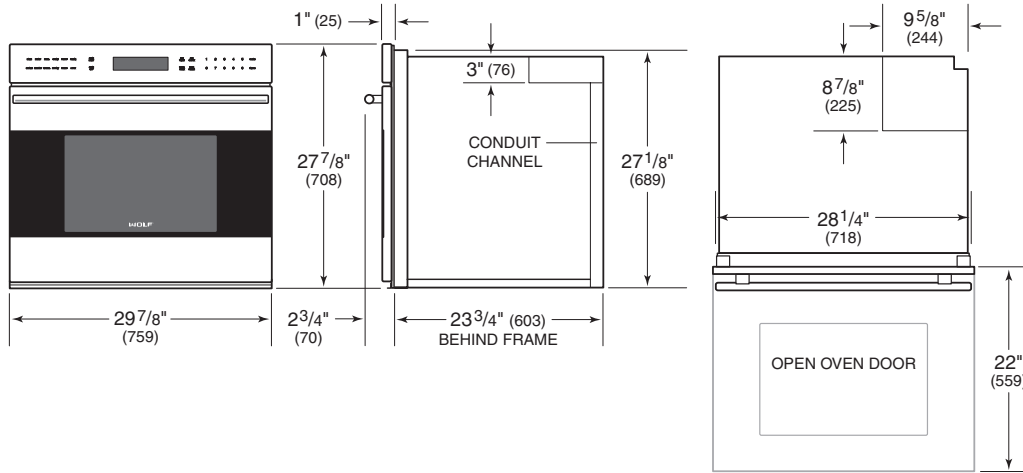
## 24" E Series Built-In Oven

### TRANSITIONAL SINGLE OVEN

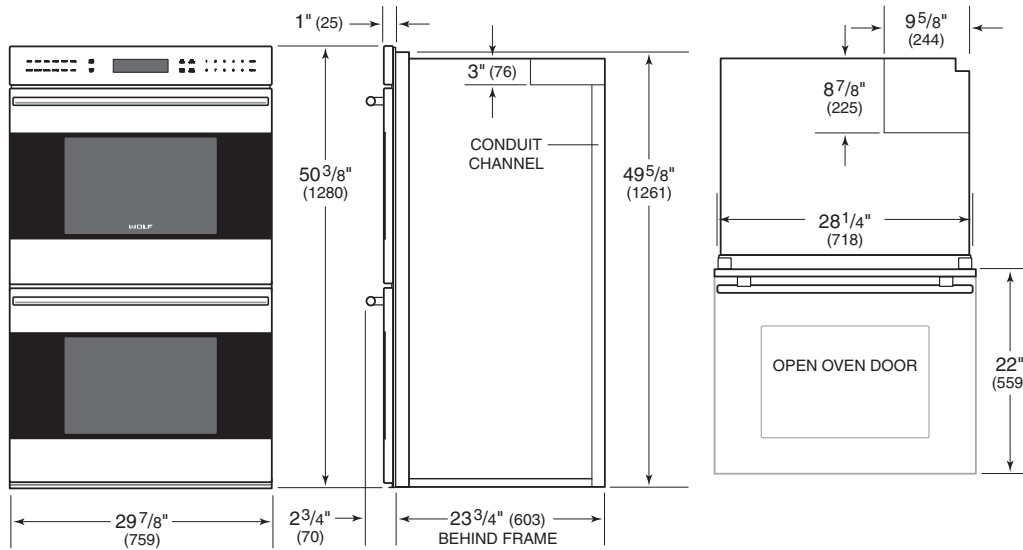


30" E Series Built-In Ovens

TRANSITIONAL SINGLE OVEN



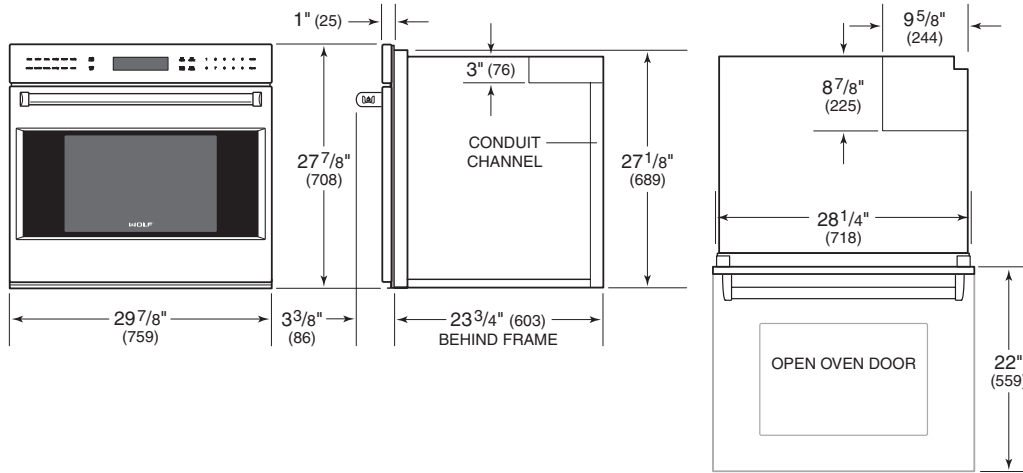
TRANSITIONAL DOUBLE OVEN



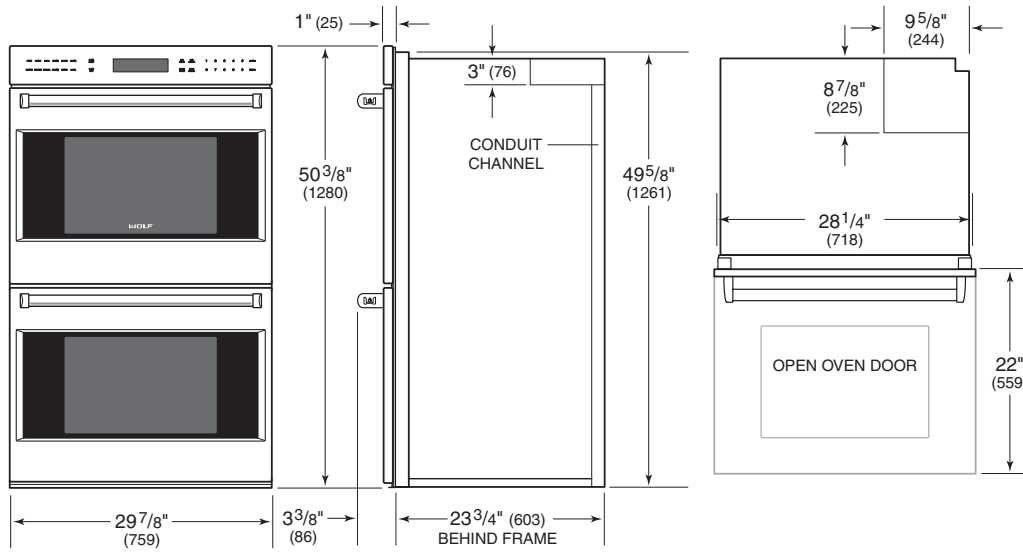
**E SERIES OVENS**

**30" E Series Built-In Ovens**

**PROFESSIONAL SINGLE OVEN**

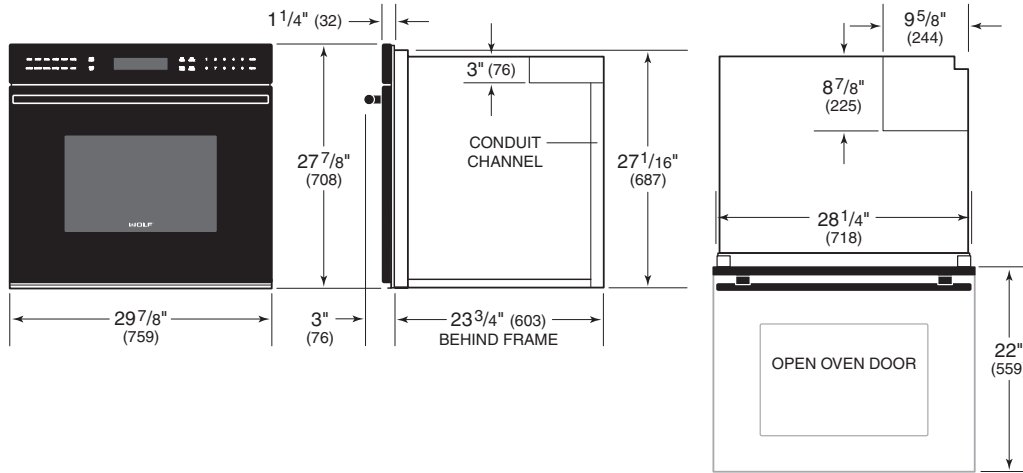


**PROFESSIONAL DOUBLE OVEN**

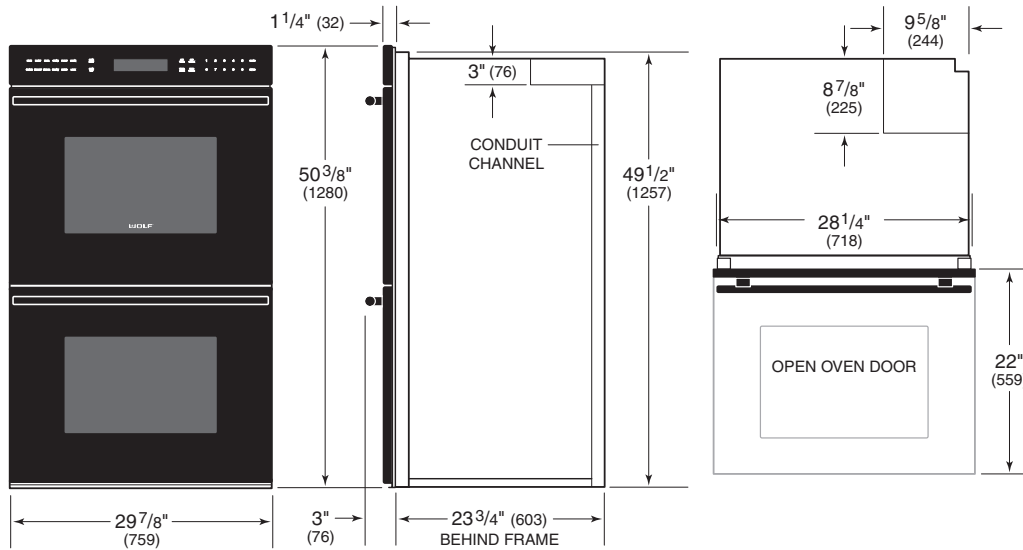


30" E Series Built-In Ovens

CONTEMPORARY SINGLE OVEN



CONTEMPORARY DOUBLE OVEN



### Planning Information

E series ovens can be installed in a standard or flush inset application. If a cooktop is being installed above an oven, a minimum of 1/4" (6) is required between the units. The location of the electrical supply within the oven opening may require additional cabinet depth.

Finish the edges of the opening. They may be visible when the door is open.

For standard installations, the face trim will overlap stiles and rails. Refer to the chart below.

For flush inset installations, a minimum reveal is required on all sides. Refer to the chart below. To ensure consistent reveals, each corner of the opening must be exactly 90°.

### INSTALLATION REQUIREMENTS

<b>BASE SUPPORT</b>		<b>MIN</b>
24" Oven		150 lb (68 kg)
30" Single Oven		250 lb (113 kg)
30" Double Oven		400 lb (181 kg)

<b>TRIM OVERLAP</b>	<b>24" OVEN</b>	<b>30" OVEN</b>
Top	1/4" (6)	1/2" (13)
Bottom	0" (0)	1/8" (3)
Sides	11/16" (17)	11/16" (17)

<b>REVEAL</b>		<b>MIN</b>
24" Oven		1/8" (3)
30" Oven		1/4" (6)

## Electrical Requirements

### 24" OVEN

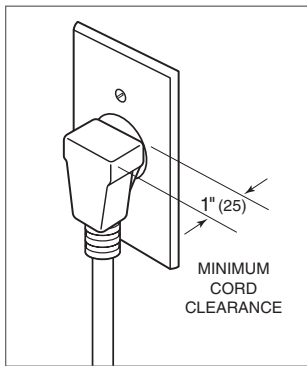
Installation must comply with all applicable electrical codes.

Locate the electrical supply as shown in the illustrations on the following pages. A separate circuit servicing only this appliance is required. A ground fault circuit interrupter (GFCI) is not recommended and may cause interruption of operation. Refer to the illustration below for minimum power cord plug clearance.

Performance may be compromised if the electrical supply is less than 240 volts.

#### ELECTRICAL REQUIREMENTS—24" OVEN

Electrical Supply	grounded, 240/208 VAC, 60 Hz
Service	20 amp dedicated circuit
Receptacle	NEMA 6-20R grounding-type
Power Cord	6' (1.8 m)



Power cord clearance

### 30" OVEN

Installation must comply with all applicable electrical codes.

Locate the electrical supply flush with the back wall and within the shaded area shown in the illustrations on the following pages. For ease of installation, the electrical supply for the oven can be placed in an adjacent cabinet within reach of the conduit.

Performance may be compromised if the electrical supply is less than 240 volts.

The oven is supplied with a conduit consisting of two insulated hot lead conductors and a bare ground conductor. The wiring diagram covering the control circuit is provided with the oven.

#### ELECTRICAL REQUIREMENTS—30" SINGLE OVEN

Electrical Supply	grounded, 240/208 VAC, 60 Hz
Service	30 amp dedicated circuit
Conduit	4' (1.2 m)
Total Amps	21
Max Connected Load	5.1 kW

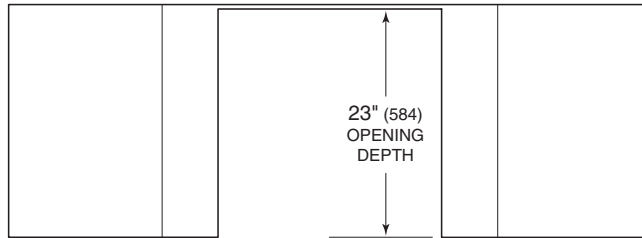
#### ELECTRICAL REQUIREMENTS—30" DOUBLE OVEN

Electrical Supply	grounded, 240/208 VAC, 60 Hz
Service	50 amp dedicated circuit
Conduit	5' (1.5 m)
Total Amps	37
Max Connected Load	8.9 kW

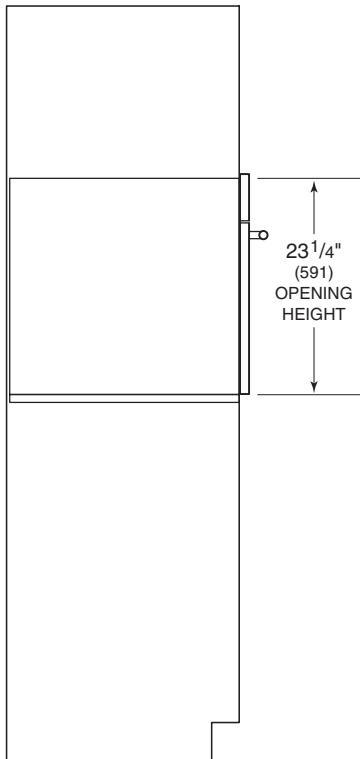
E SERIES OVENS

24" E Series Single Oven

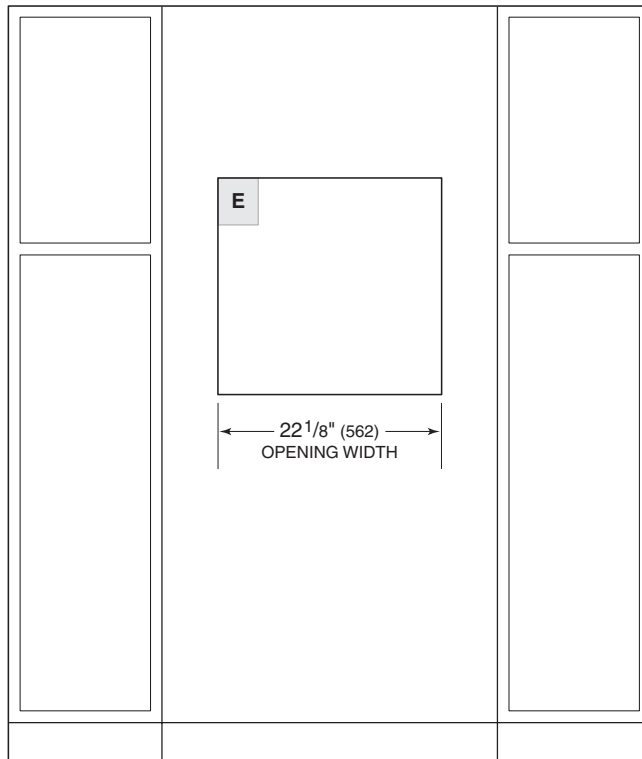
STANDARD INSTALLATION



TOP VIEW



SIDE VIEW



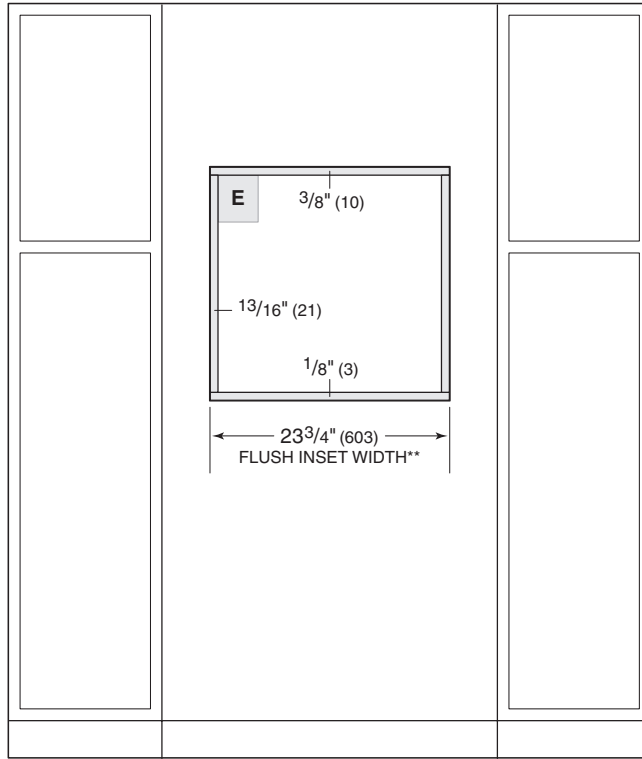
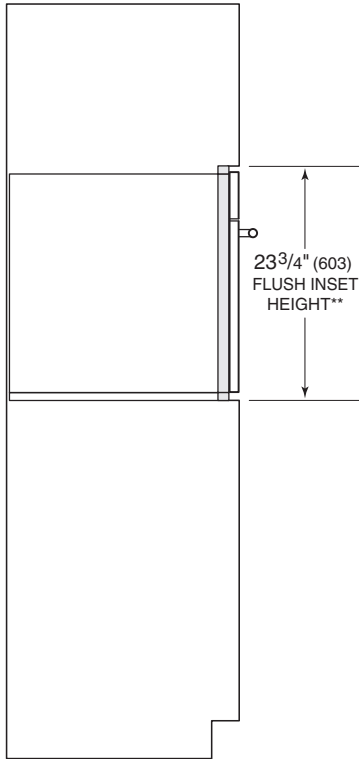
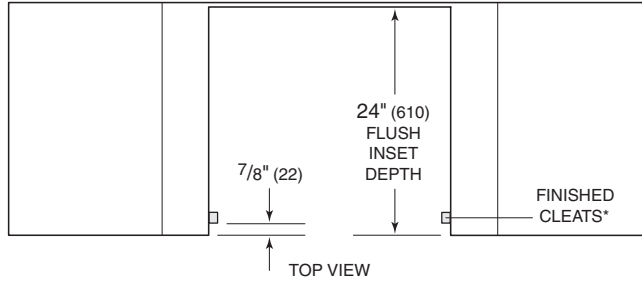
FRONT VIEW



E SERIES OVENS

24" E Series Single Oven

FLUSH INSET INSTALLATION



SIDE VIEW

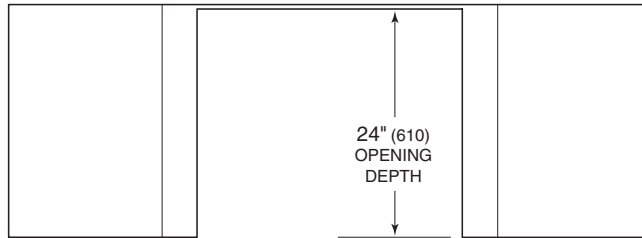
FRONT VIEW

\*Will be visible and should be finished to match cabinetry.  
\*\*Dimension provides minimum reveals.

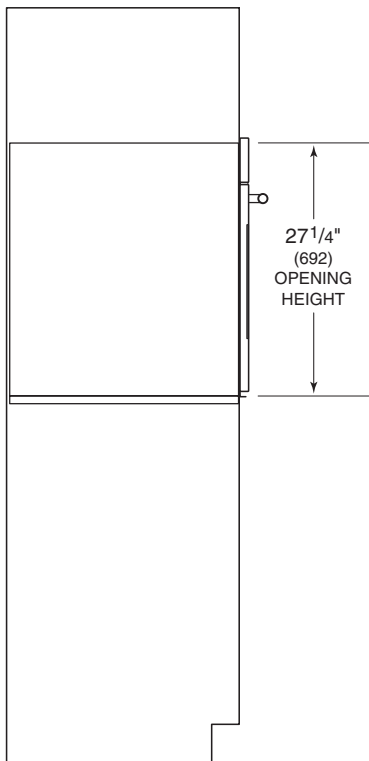
E SERIES OVENS

30" E Series Single Oven

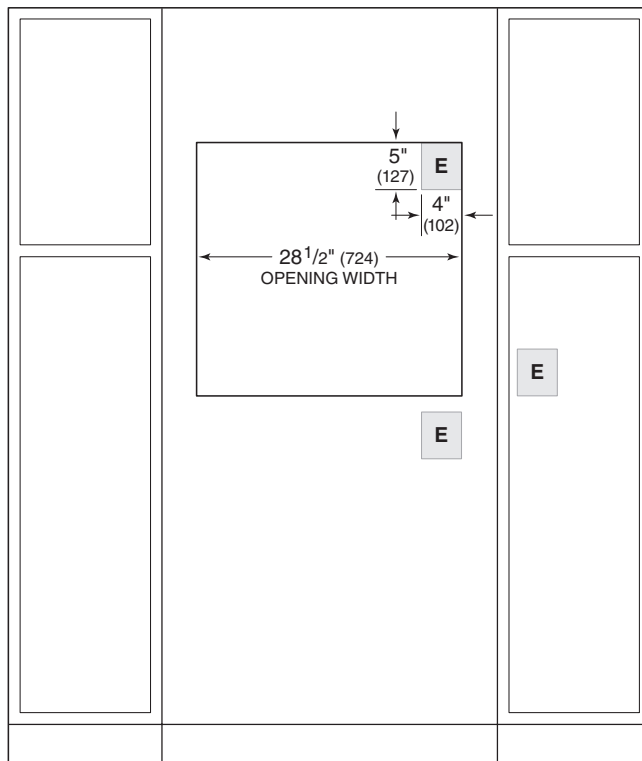
STANDARD INSTALLATION



TOP VIEW



SIDE VIEW



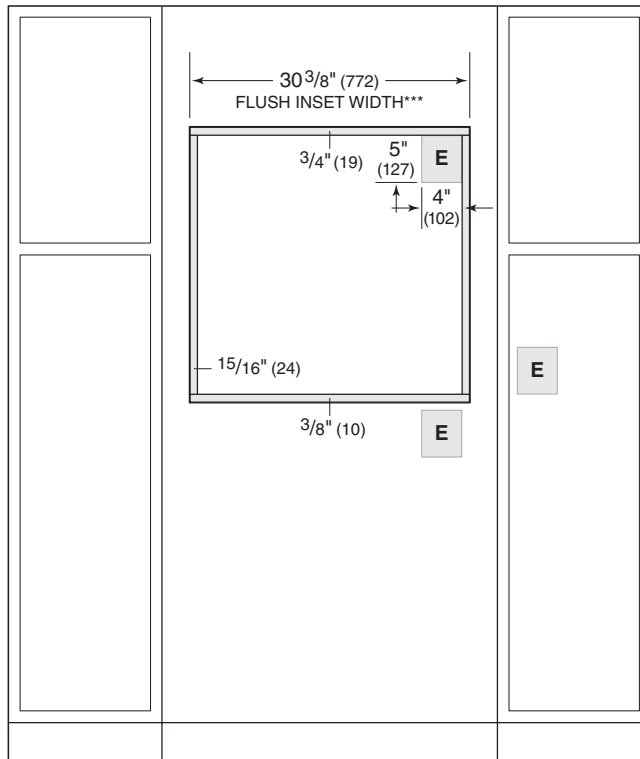
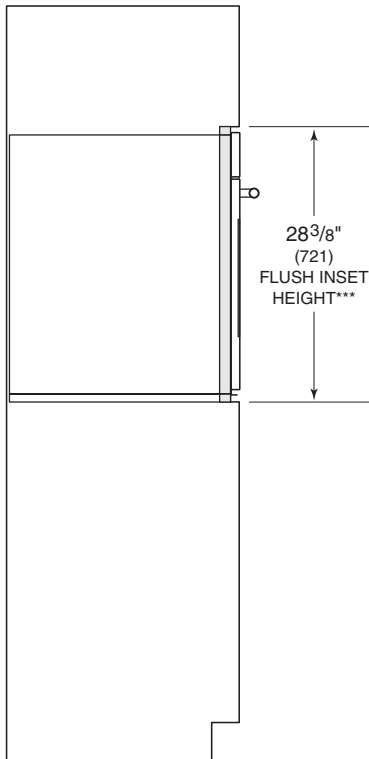
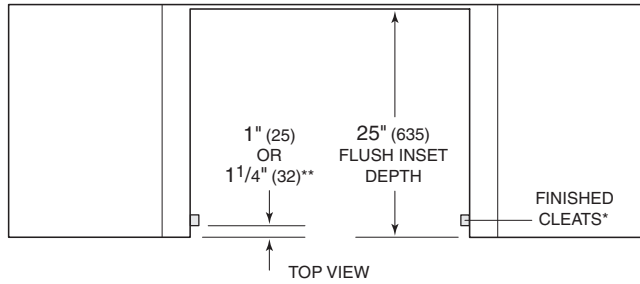
FRONT VIEW

NOTE: Location of electrical supply within opening may require additional cabinet depth.

**E SERIES OVENS**

**30" E Series Single Oven**

**FLUSH INSET INSTALLATION**



SIDE VIEW

FRONT VIEW

\*Will be visible and should be finished to match cabinetry.

\*\*1" (25) for professional and transitional models and 1 1/4" (32) for contemporary model.

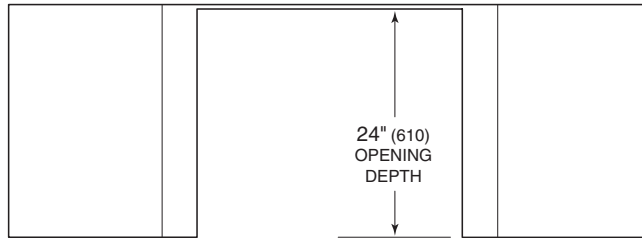
\*\*\*Dimension provides minimum reveals.

NOTE: Location of electrical supply within opening may require additional cabinet depth.

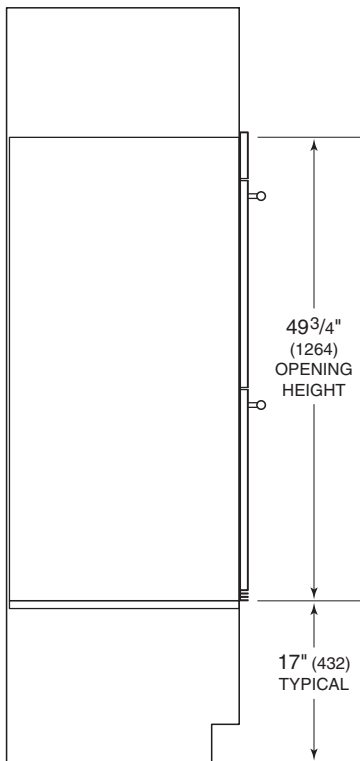
E SERIES OVENS

30" E Series Double Oven

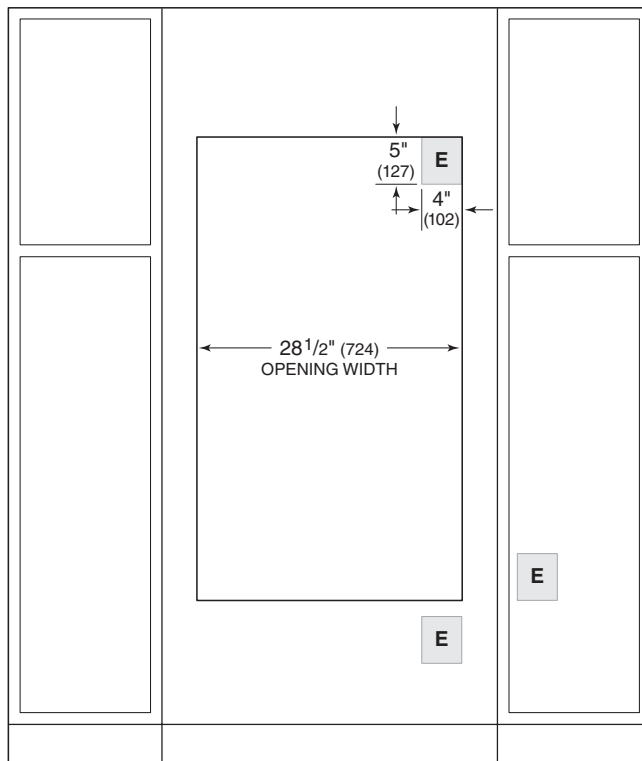
STANDARD INSTALLATION



TOP VIEW



SIDE VIEW



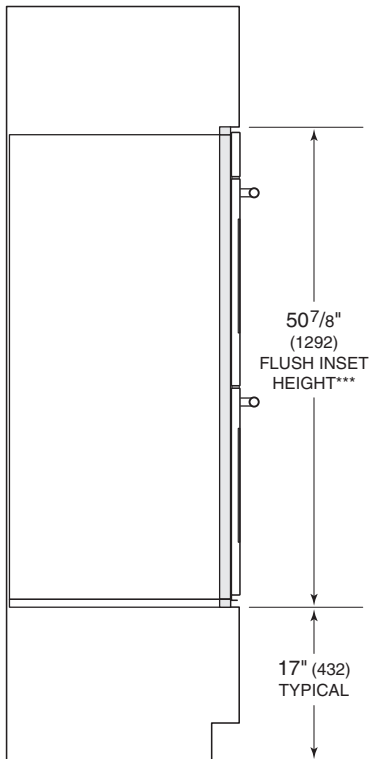
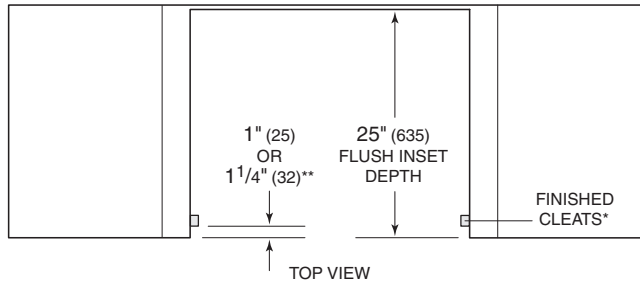
FRONT VIEW

NOTE: Location of electrical supply within opening may require additional cabinet depth.

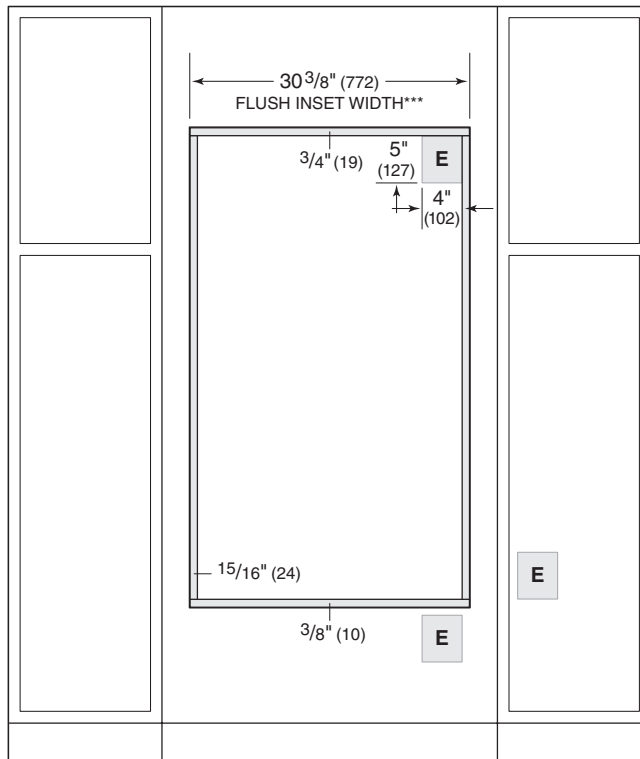
**E SERIES OVENS**

**30" E Series Double Oven**

**FLUSH INSET INSTALLATION**



SIDE VIEW



FRONT VIEW

\*Will be visible and should be finished to match cabinetry.

\*\*1" (25) for professional and transitional models and 1 1/4" (32) for contemporary model.

\*\*\*Dimension provides minimum reveals.

NOTE: Location of electrical supply within opening may require additional cabinet depth.



---

## L SERIES OVEN

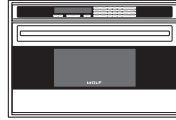
## L SERIES OVEN

### L Series Built-In Oven

Since their introduction, Wolf L series built-in ovens have taken the culinary world by storm—and not just for their stylish cobalt blue interior and 10 cooking modes. Thanks to a Wolf innovation called dual convection, the L series delivers faster, more consistent results for baking, roasting, broiling—even drying fruits. The Wolf L series oven is offered in the 36" width with unframed door style and tubular handle.

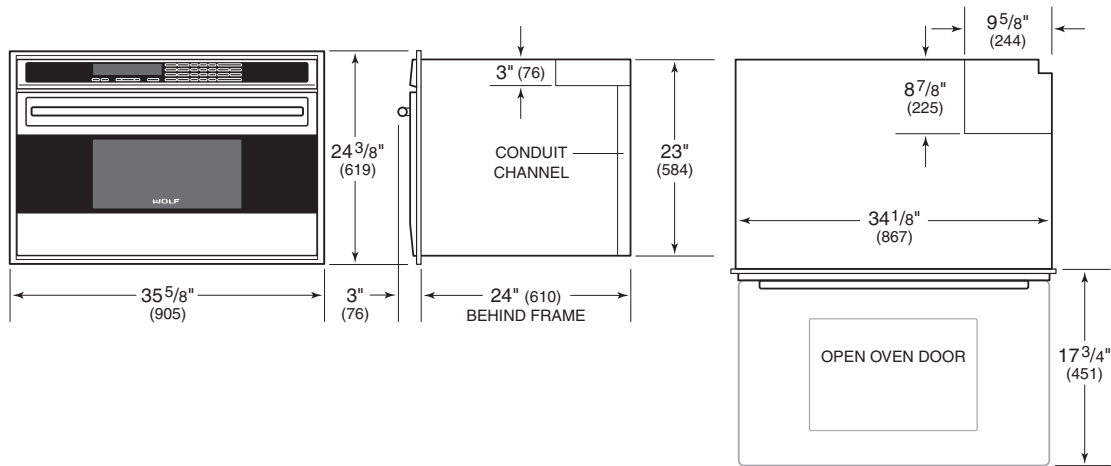
### L SERIES OVEN

#### UNFRAMED



SO36U/S

### DIMENSIONS



### Planning Information

If a cooktop is being installed above an oven, a minimum of 1/4" (6) is required between the units. The location of the electrical supply within the oven opening may require additional cabinet depth.

Finish the edges of the opening. They may be visible when the door is open.

For standard installations, the face trim will overlap stiles and rails. Refer to the chart below.

#### INSTALLATION REQUIREMENTS

BASE SUPPORT	MIN
36" Single Oven	250 lb (113 kg)
TRIM OVERLAP	
Top	3/16" (5)
Bottom	1/8" (3)
Sides	9/16" (14)

#### ELECTRICAL REQUIREMENTS

Installation must comply with all applicable electrical codes.

Locate the electrical supply flush with the back wall and within the shaded area shown in the illustration on the following page. For ease of installation, the electrical supply for the oven can be placed in an adjacent cabinet within reach of the conduit.

Performance may be compromised if the electrical supply is less than 240 volts.

The oven is supplied with a conduit consisting of two insulated hot lead conductors and a bare ground conductor. The wiring diagram covering the control circuit is provided with the oven.

#### ELECTRICAL REQUIREMENTS

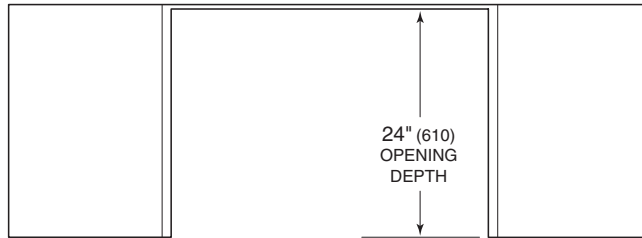
Electrical Supply	grounded, 240/208 VAC, 60 Hz
Service	30 amp dedicated circuit
Conduit	3' (.9 m)
Total Amps	21
Max Connected Load	5.1 kW



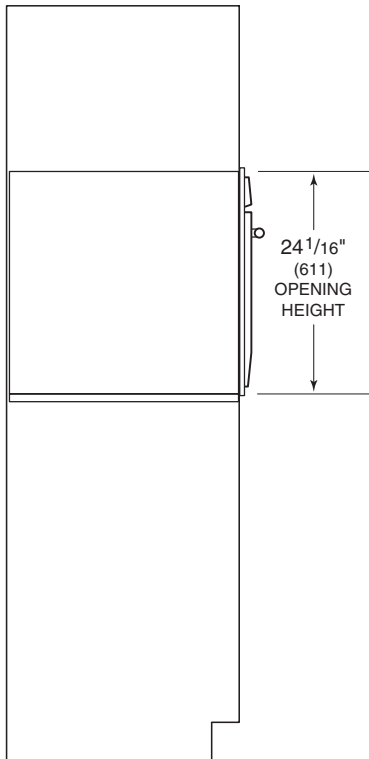
# L SERIES OVEN

## 36" L Series Single Oven

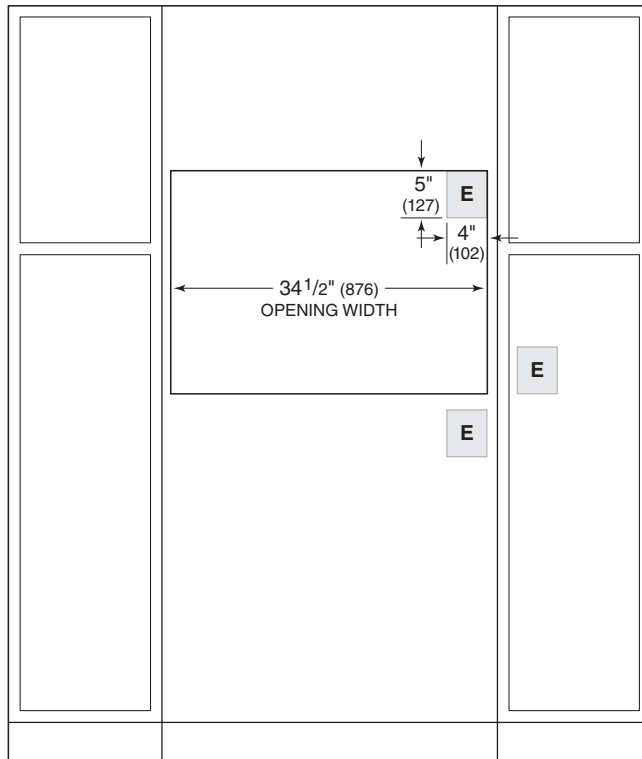
### STANDARD INSTALLATION



TOP VIEW



SIDE VIEW



FRONT VIEW

*NOTE: Location of electrical supply within opening may require additional cabinet depth.*



---

## CONVECTION STEAM OVENS

### Convection Steam Ovens

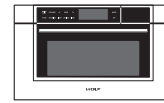
The legacy of the “combination oven” goes back decades, to innovative chefs in America and Europe who embraced the combination of air movement with superheated steam to achieve superior results—from breads and roasts to delicate fishes, seafood, and vegetables. Wolf combines the benefits of convection and steam for the most innovative steam oven on the market today. Virtually any dish prepared in a conventional oven, range, or microwave can also be prepared in the Wolf convection steam oven—with more control. Two widths and three distinct styles compliment the look of Wolf ovens, ranges, and cooktops. Convection steam ovens can be installed in a standard or flush inset application.

### CONVECTION STEAM OVENS

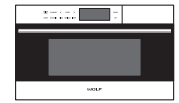
#### TRANSITIONAL



CSO24TE/S/TH



CSO30TM/S/TH

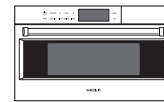


CSO30TE/S/TH

#### PROFESSIONAL



CSO30PM/S/PH



CSO30PE/S/PH

#### CONTEMPORARY



CSO30CM/B/TH



CSO30CMS

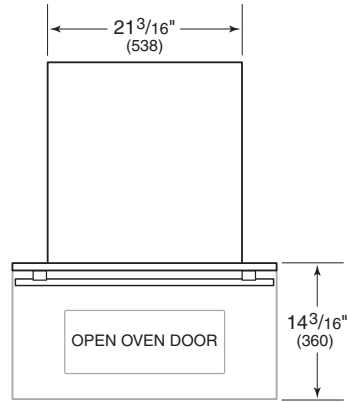
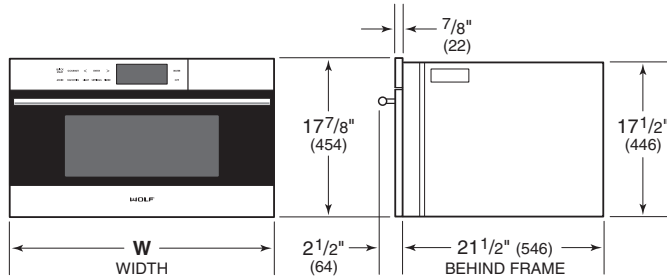


CSO30CMB

**CONVECTION STEAM OVENS**

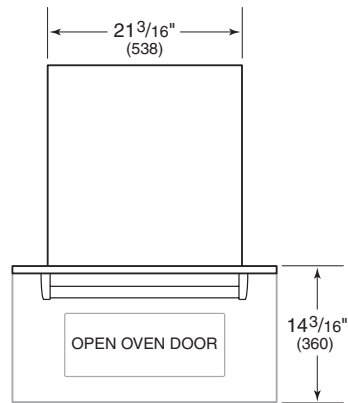
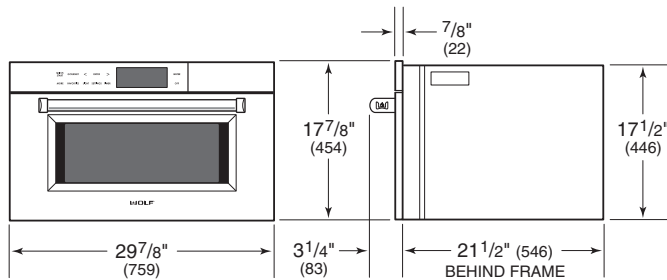
**Convection Steam Ovens**

**TRANSITIONAL**

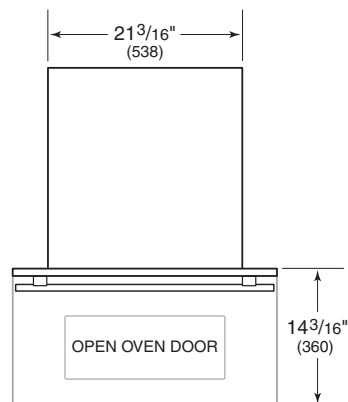
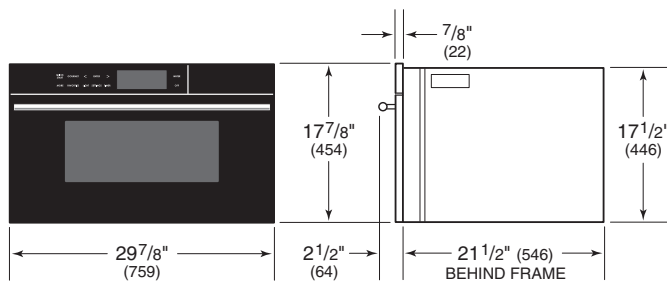


WIDTH	W
24" Transitional	23 1/2" (597)
30" Transitional	29 7/8" (759)

**PROFESSIONAL**



**CONTEMPORARY**



### Planning Information

The convection steam oven can be installed in a standard or flush inset application.

Finish the edges of the opening. They may be visible when the door is open.

For standard installations, the face trim will overlap stiles and rails. Refer to the chart below.

For flush inset installations, a minimum 1/8" (3) reveal is required on all sides. To ensure consistent reveals, each corner of the opening must be exactly 90°.

#### INSTALLATION REQUIREMENTS

BASE SUPPORT		MIN	
Convection Steam Oven		100 lb (45 kg)	
TRIM OVERLAP		24" MODEL	30" MODEL
Top		3/16" (5)	3/16" (5)
Bottom		0" (0)	0" (0)
Sides		11/16" (18)	37/8" (98)

#### ELECTRICAL REQUIREMENTS

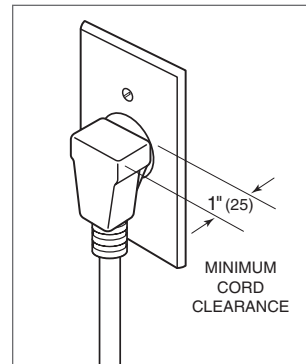
Installation must comply with all applicable electrical codes.

Locate the electrical supply as shown in the illustrations on the following pages. A separate circuit servicing only this appliance is required. A ground fault circuit interrupter (GFCI) is not recommended and may cause interruption of operation. Refer to the illustration below for minimum power cord plug clearance.

Performance may be compromised if the electrical supply is less than 240 volts.

#### ELECTRICAL REQUIREMENTS

Electrical Supply	grounded, 240/208 VAC, 60 Hz
Service	20 amp dedicated circuit
Receptacle	NEMA 6-20R grounding-type
Power Cord	6' (1.8 m)

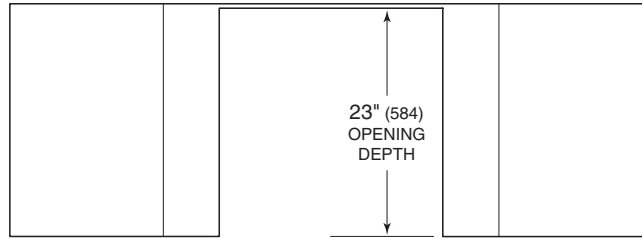


Power cord clearance

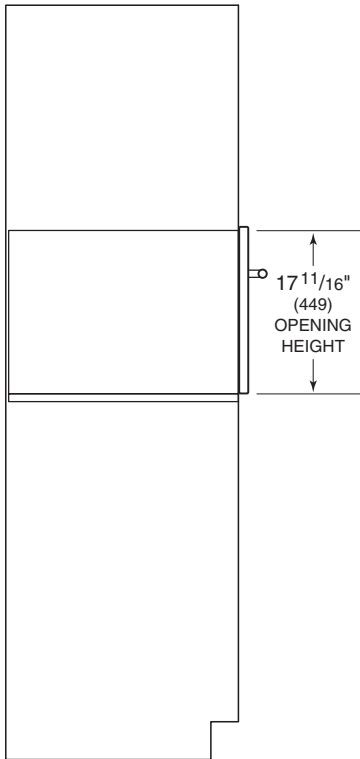
**CONVECTION STEAM OVENS**

**Convection Steam Oven**

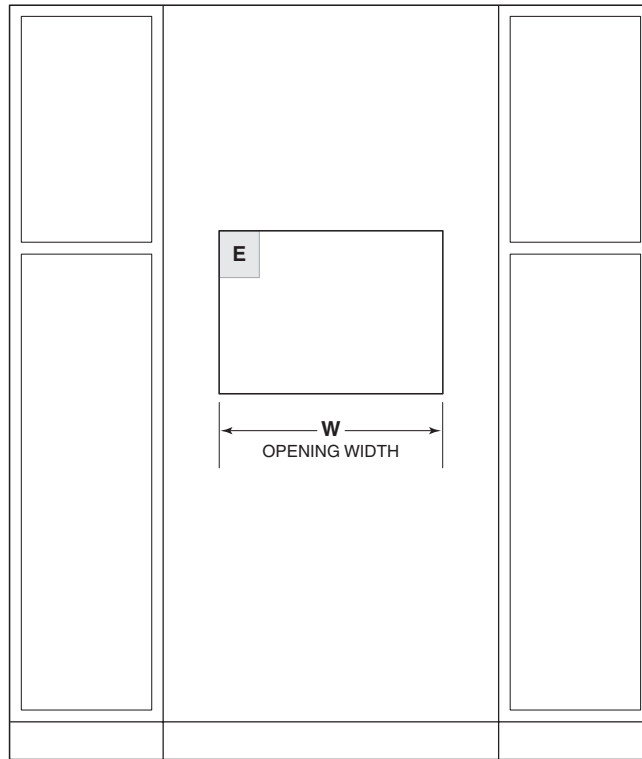
**STANDARD INSTALLATION**



TOP VIEW



SIDE VIEW



FRONT VIEW

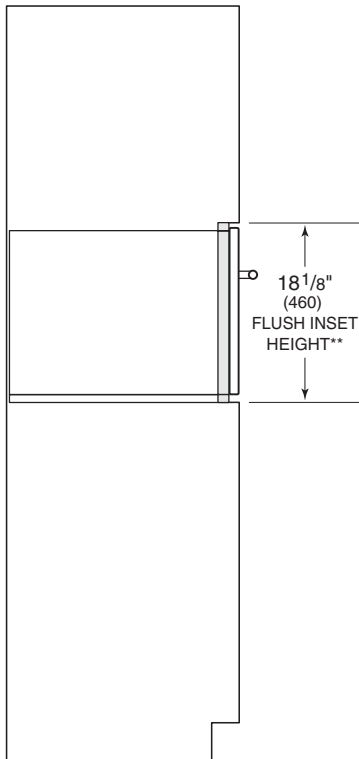
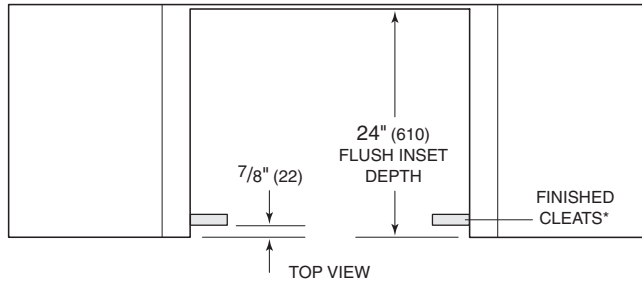
NOTE: 24" (610) and 30" (762) models require the same opening dimensions.

OPENING WIDTH	W
24" Model	22 1/8" (562)
30" Model	22 1/8" (562)

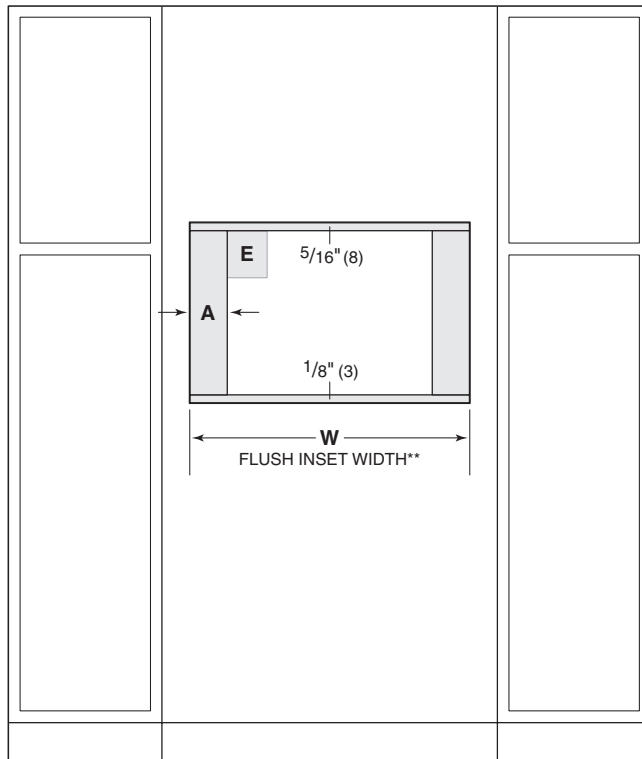
CONVECTION STEAM OVENS

Convection Steam Oven

FLUSH INSET INSTALLATION



SIDE VIEW



FRONT VIEW

\*Will be visible and should be finished to match cabinetry.

\*\*Dimension provides minimum reveals.

FLUSH INSET WIDTH	W	A
24" Model	23 3/4" (603)	13/16" (21)
30" Model	30 1/8" (765)	4" (102)



---

SPEED OVENS

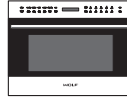


## Speed Ovens

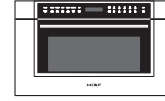
The Wolf speed oven has features that make fast meals better meals. Available in 24" and 30" widths, they are designed to match Wolf transitional, professional, and contemporary products. The speed oven can be installed in a standard or flush inset application.

### SPEED OVENS

#### TRANSITIONAL



SPO24TE/S/TH



SPO30TM/S/TH

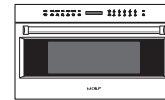


SPO30TE/S/TH

#### PROFESSIONAL



SPO30PM/S/PH



SPO30PE/S/PH

#### CONTEMPORARY

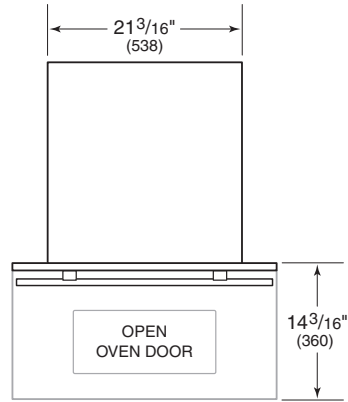
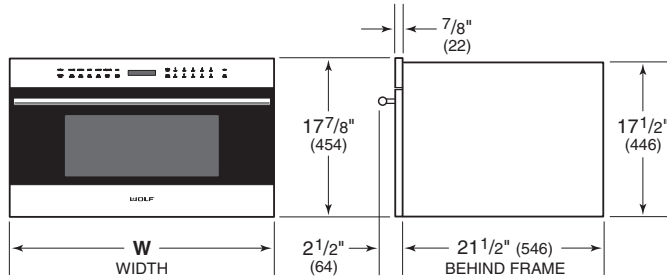


SPO30CM/B/TH

**SPEED OVENS**

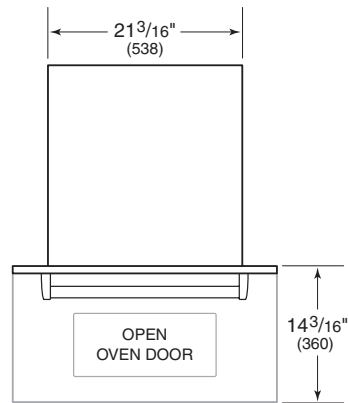
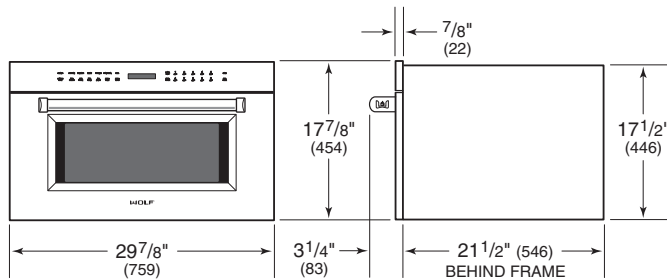
**Speed Ovens**

**TRANSITIONAL**

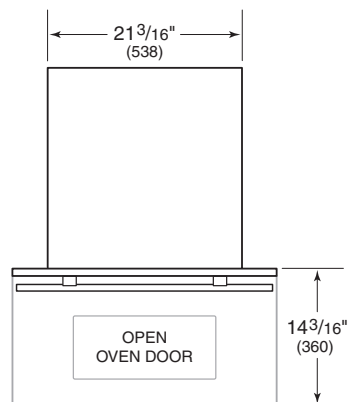
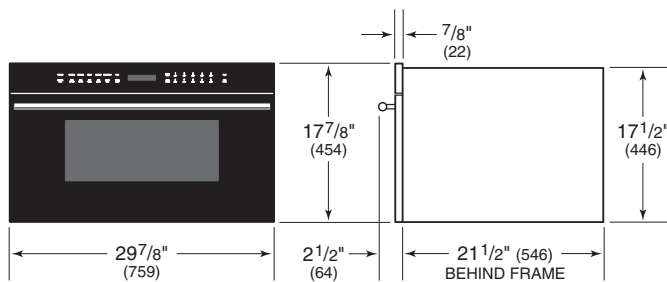


WIDTH	W
24" Transitional	$23\frac{1}{2}$ " (597)
30" Transitional	$29\frac{7}{8}$ " (759)

**PROFESSIONAL**



**CONTEMPORARY**



### Planning Information

The speed oven can be installed in a standard or flush inset application.

Finish the edges of the opening. They may be visible when the door is open.

For standard installations, the face trim will overlap stiles and rails. Refer to the chart below.

For flush inset installations, a minimum 1/8" (3) reveal is required on all sides. To ensure consistent reveals, each corner of the opening must be exactly 90°.

If the speed oven is installed above or below a Wolf E series oven in a flush inset application, a 1/4" (6) reveal is required.

### INSTALLATION REQUIREMENTS

BASE SUPPORT		MIN
24" (610) Model		125 lb (57 kg)
30" (762) Model		125 lb (57 kg)
TRIM OVERLAP		
	24" MODEL	30" MODEL
Top	3/16" (5)	3/16" (5)
Bottom	0" (0)	0" (0)
Sides	11/16" (18)	37/8" (98)

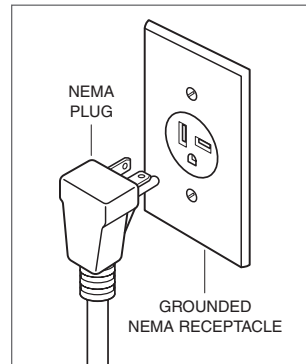
### ELECTRICAL REQUIREMENTS

Installation must comply with all applicable electrical codes.

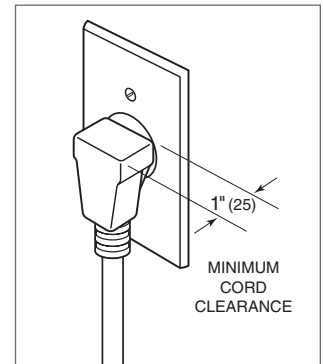
Locate the electrical supply as shown in the illustrations on the following pages. The receptacle may also be located in an adjacent cabinet within reach of the power cord. A separate circuit, servicing only this appliance is required. A ground fault circuit interrupter (GFCI) is not recommended and may cause interruption of operation. Refer to the illustration below for minimum power cord plug clearance.

### ELECTRICAL REQUIREMENTS

Electrical Supply	grounded, 240/208 VAC, 60 Hz
Service	15 amp dedicated circuit
Receptacle	NEMA 6-20R grounding type
Power Cord	6' (1.8 m)



NEMA 6-20R receptacle

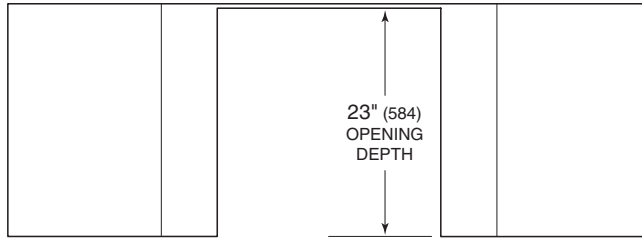


Power cord clearance

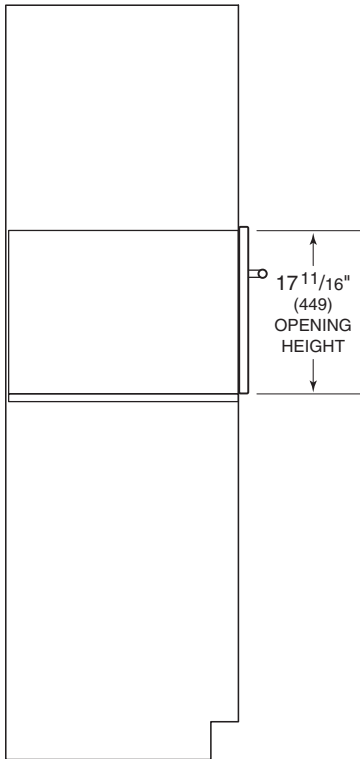
**SPEED OVENS**

**Speed Oven**

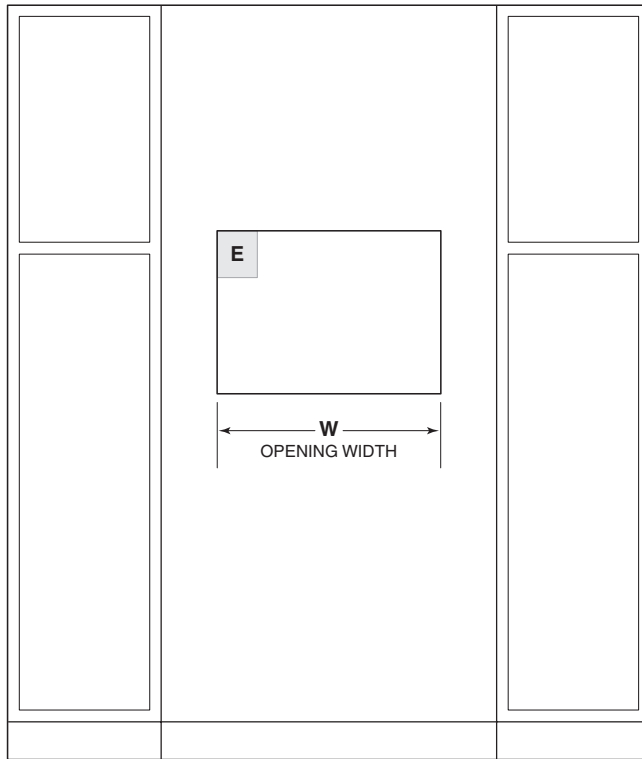
**STANDARD INSTALLATION**



TOP VIEW



SIDE VIEW



FRONT VIEW

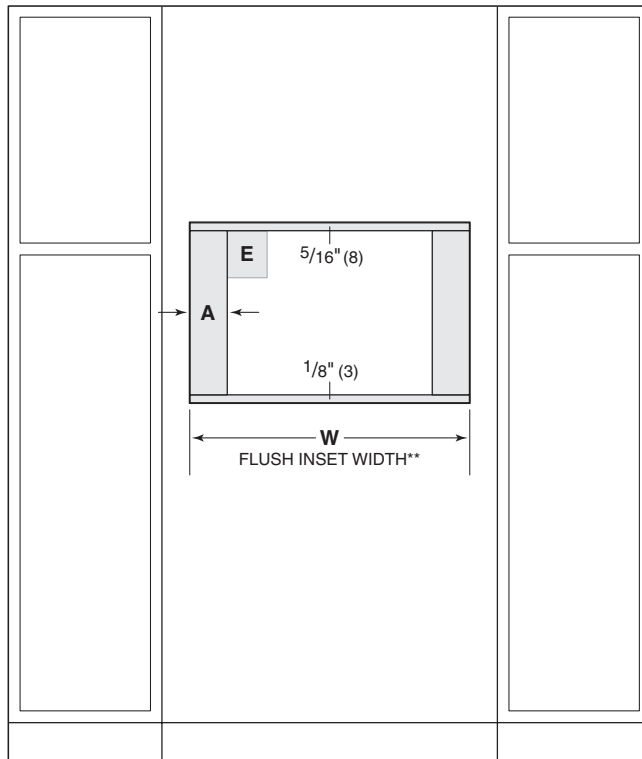
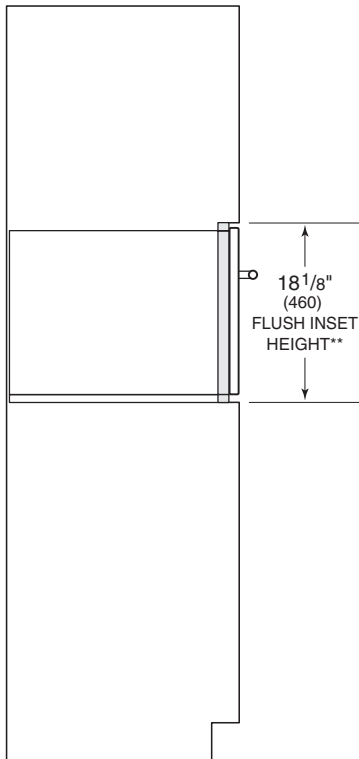
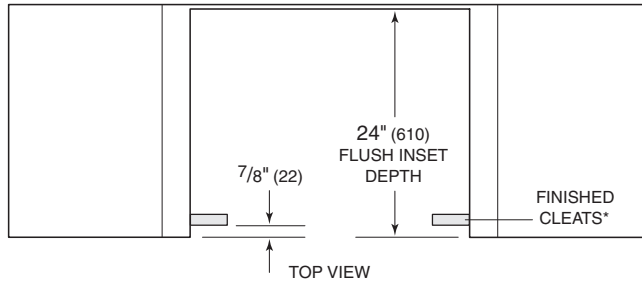
NOTE: 24" (610) and 30" (762) models require the same opening dimensions.

OPENING WIDTH	W
24" Model	22 1/8" (562)
30" Model	22 1/8" (562)

**SPEED OVENS**

**Speed Oven**

**FLUSH INSET INSTALLATION**



SIDE VIEW

FRONT VIEW

\*Will be visible and should be finished to match cabinetry.  
 \*\*Dimension provides minimum reveals.

FLUSH INSET WIDTH	W	A
24" Model	23 <sup>3</sup> / <sub>4</sub> " (603)	1 <sup>3</sup> / <sub>16</sub> " (21)
30" Model	30 <sup>1</sup> / <sub>8</sub> " (765)	4" (102)



---

## MICROWAVE OVENS

### Microwave Ovens

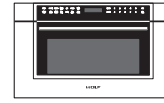
As true cooking instruments, Wolf microwave ovens have features that make fast meals better meals. The drop-down door microwaves feature a door that hinges at the bottom for easier access to foods. Available in 24" and 30" widths, they are designed to match Wolf transitional, professional, and contemporary products. Drawer microwave ovens can be conveniently located undercounter, in a corner, or below an oven. Wolf also offers both a roomy, powerful standard microwave and a convection model that can microwave, broil, and cook in three convection modes. Trim kits to match Wolf ovens are available through an authorized Wolf dealer. Microwave ovens can be installed in a standard or flush inset application.

#### DROP-DOWN DOOR MICROWAVES

##### TRANSITIONAL



MDD24TE/S/TH

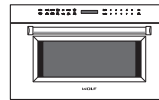


MDD30TM/S/TH



MDD30TE/S/TH

##### PROFESSIONAL



MDD30PM/S/PH



MDD30PE/S/PH

##### CONTEMPORARY



MDD30CM/B/TH

#### DRAWER MICROWAVE

##### TRANSITIONAL



MD24TE/S



MD30TE/S

##### PROFESSIONAL

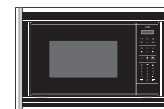


MD30PE/S

#### CONVECTION MICROWAVE



MC24 (M/E TRIM)



MC24 (L TRIM)

#### STANDARD MICROWAVE



MS24 (M/E TRIM)

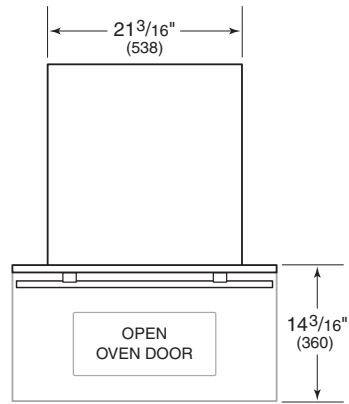
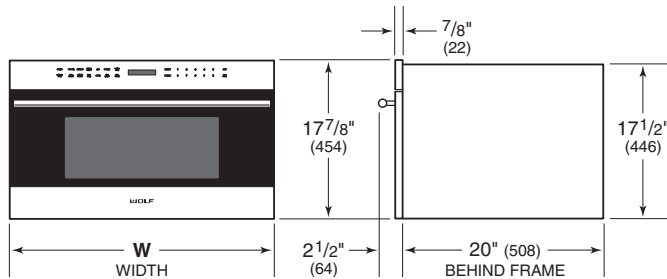


MS24 (L TRIM)

# MICROWAVE OVENS

## Drop-Down Door Microwave Ovens

### TRANSITIONAL

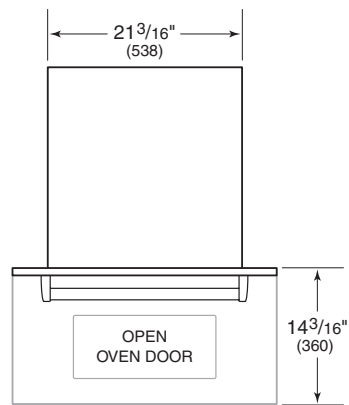
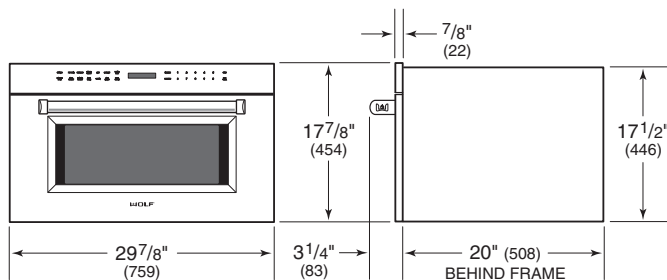


#### WIDTH

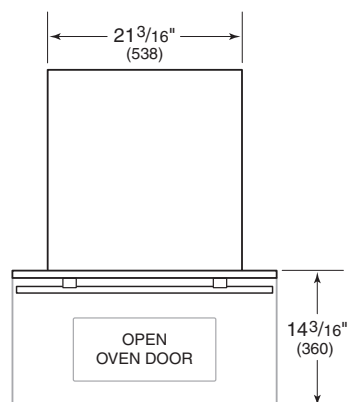
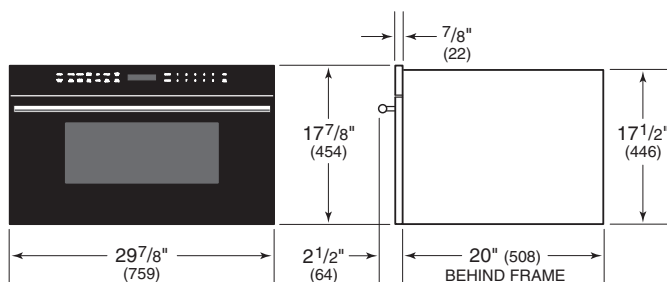
#### W

24" Transitional	23 1/2" (597)
30" Transitional	29 7/8" (759)

### PROFESSIONAL



### CONTEMPORARY

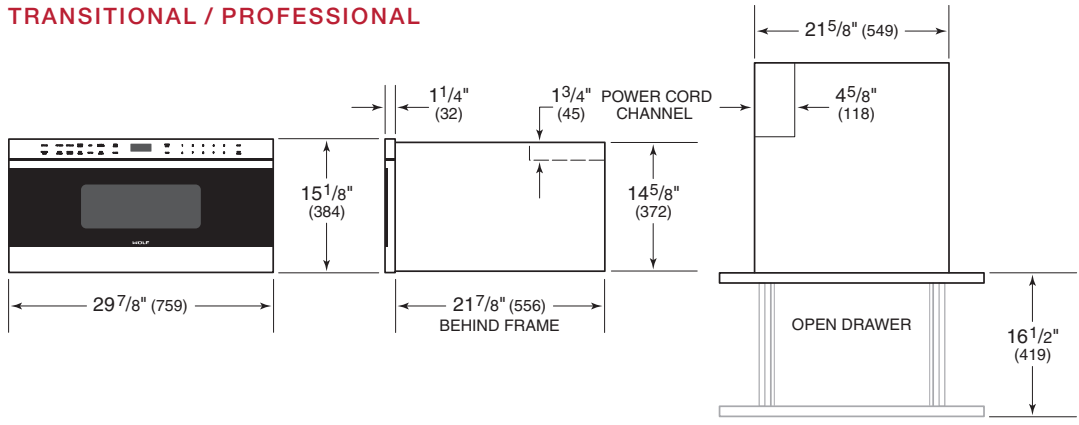




MICROWAVE OVENS

Drawer Microwave Ovens

TRANSITIONAL / PROFESSIONAL

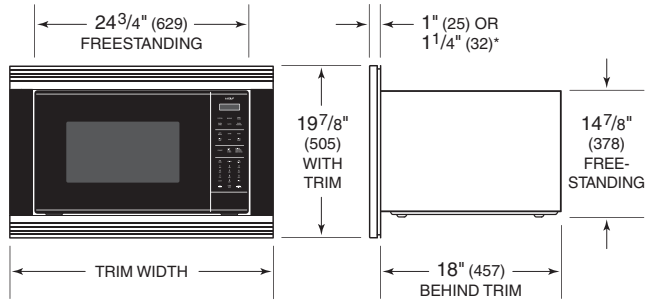


WIDTH	W
24" Model	23 7/8" (606)
30" Model	29 7/8" (759)

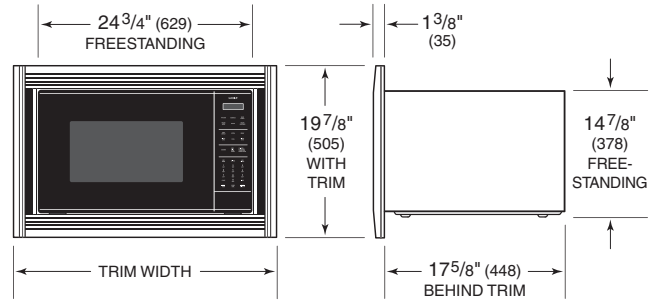
**MICROWAVE OVENS**

**Convection Microwave Oven**

**M/E SERIES TRIM**



**L SERIES TRIM**



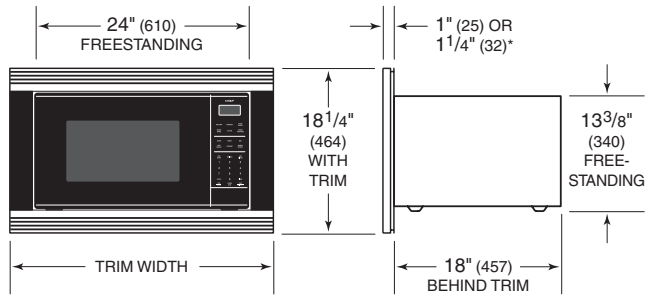
\* $1\frac{1}{4}''$  (32) for contemporary E series trim only.

TRIM WIDTH	M SERIES	E SERIES	L SERIES
27" Trim	NA	$26\frac{7}{8}''$ (683)	NA
30" Trim	$29\frac{7}{8}''$ (759)	$29\frac{7}{8}''$ (759)	$29\frac{7}{8}''$ (759)
36" Trim	NA	NA	$35\frac{5}{8}''$ (905)

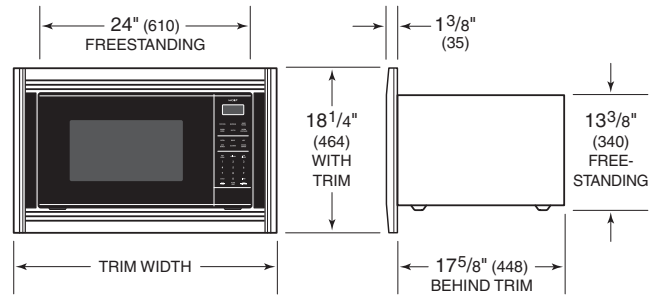
# MICROWAVE OVENS

## Standard Microwave Oven

### M/E SERIES TRIM



### L SERIES TRIM



\*1 1/4" (32) for contemporary E series trim only.

TRIM WIDTH	M SERIES	E SERIES	L SERIES
27" Trim	NA	26 7/8" (683)	NA
30" Trim	29 7/8" (759)	29 7/8" (759)	29 7/8" (759)

## Planning Information

### DROP-DOWN DOOR MICROWAVE

The drop-down door microwave oven can be installed in a standard or flush inset application.

Finish the edges of the opening. They may be visible when the door is open.

For standard installations, the face trim will overlap stiles and rails. Refer to the chart below.

For flush inset installations, a minimum 1/8" (3) reveal is required on all sides. To ensure consistent reveals, each corner of the opening must be exactly 90°.

#### INSTALLATION REQUIREMENTS

BASE SUPPORT		MIN
Drop-Down Door Microwave		125 lb (57 kg)
TRIM OVERLAP	24" MODEL	30" MODEL
Top	3/16" (5)	3/16" (5)
Bottom	0" (0)	0" (0)
Sides	11/16" (18)	37/8" (98)

### DRAWER MICROWAVE

The drawer microwave oven can be installed in a standard or flush inset application. The location of the electrical supply within the oven opening may require additional cabinet depth.

Finish the edges of the opening. They may be visible when the drawer is open.

For standard installations, the face trim will overlap stiles and rails. Refer to the chart below.

For flush inset installations, a minimum 1/8" (3) reveal is required on the top and sides and 11/16" (18) on the bottom. To ensure consistent reveals, each corner of the opening must be exactly 90°. A sales accessory is required to direct air away from the unit. Accessories are available through an authorized Wolf dealer. For local dealer information, visit the find a showroom section of our website, wolfappliance.com.

#### INSTALLATION REQUIREMENTS

BASE SUPPORT		MIN
24" Drawer Microwave		125 lb (57 kg)
30" Drawer Microwave		125 lb (57 kg)
TRIM OVERLAP	24" MODEL	30" MODEL
Top	5/16" (8)	5/16" (8)
Bottom	1/16" (2)	1/16" (2)
Sides	7/8" (22)	37/8" (98)

## Planning Information

### CONVECTION / STANDARD MICROWAVES

Convection and standard microwave ovens can be installed in a standard or flush inset application using accessory trim to match Wolf ovens. Trim kits are available through an authorized Wolf dealer. For local dealer information, visit the find a showroom section of our website, wolfappliance.com.

For standard installations, the face trim will overlap stiles and rails. Refer to the chart below.

Convection and standard microwave ovens can also be used freestanding. For freestanding applications, a minimum 2" (51) space is required at the top, rear, and sides of the microwave oven for air circulation.

### INSTALLATION REQUIREMENTS

BASE SUPPORT		MIN
Convection Microwave		125 lb (57 kg)
Standard Microwave		125 lb (57 kg)
27" E SERIES TRIM OVERLAP		
	CONV	STAN
Top	1/4" (6)	9/16" (14)
Bottom	3/4" (19)	11/16" (17)
Sides	13/16" (21)	13/16" (21)
30" M/E/L TRIM OVERLAP		
	CONV	STAN
Top	1/4" (6)	9/16" (14)
Bottom	3/4" (19)	11/16" (17)
Sides	13/16" (30)	13/16" (30)
36" L SERIES TRIM OVERLAP		
	CONV	STAN
Top	3/16" (5)	NA
Bottom	13/16" (21)	NA
Sides	1 1/4" (32)	NA

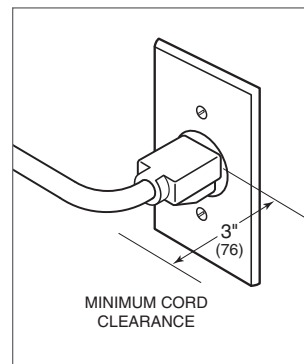
## Electrical Requirements

Installation must comply with all applicable electrical codes.

Locate the electrical supply as shown in the illustrations on the following pages. The receptacle may also be located in an adjacent cabinet within reach of the power cord. A separate circuit servicing only this appliance is required. A ground fault circuit interrupter (GFCI) is not recommended and may cause interruption of operation. Refer to the illustration below for minimum power cord plug clearance.

### ELECTRICAL REQUIREMENTS

Electrical Supply	grounded, 120 VAC, 60 Hz
Service	15 amp dedicated circuit
Receptacle	3-prong grounding-type
Power Cord	4' (1.2 m)

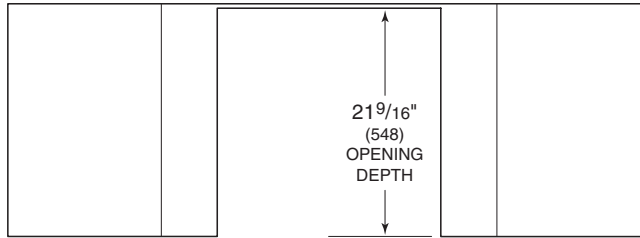


Power cord clearance

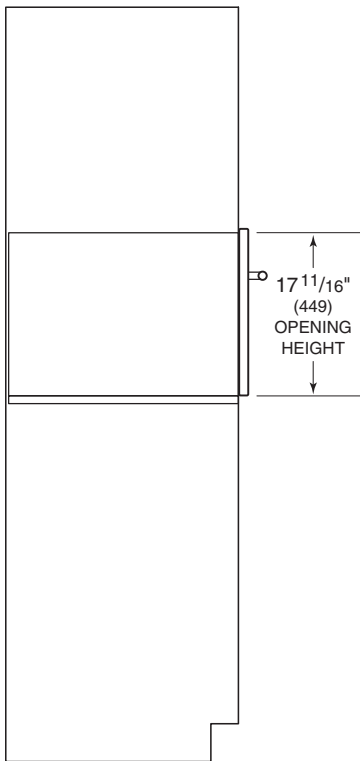
**MICROWAVE OVENS**

**Drop-Down Door Microwave Oven**

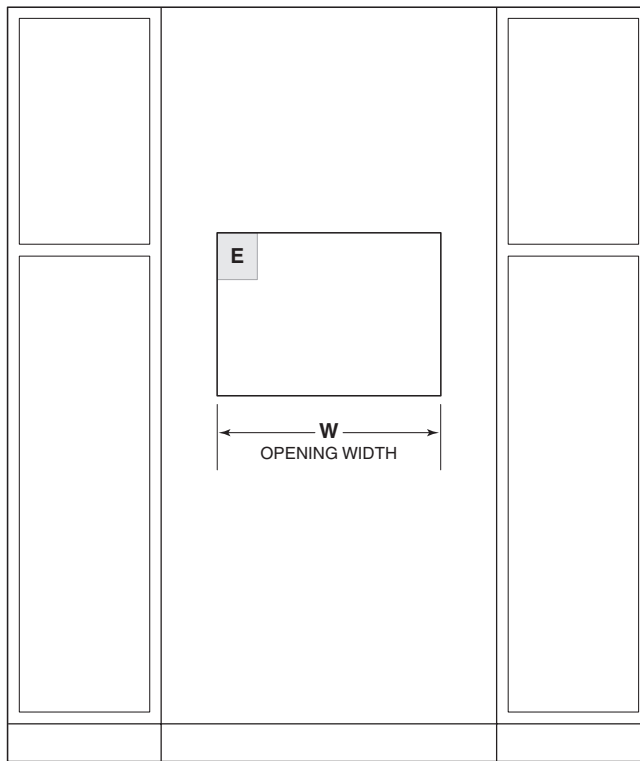
**STANDARD INSTALLATION**



TOP VIEW



SIDE VIEW



FRONT VIEW

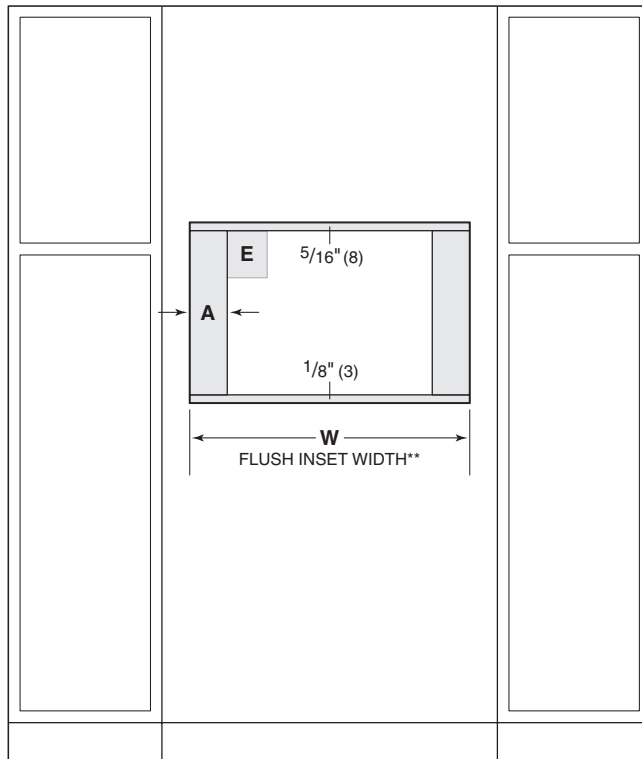
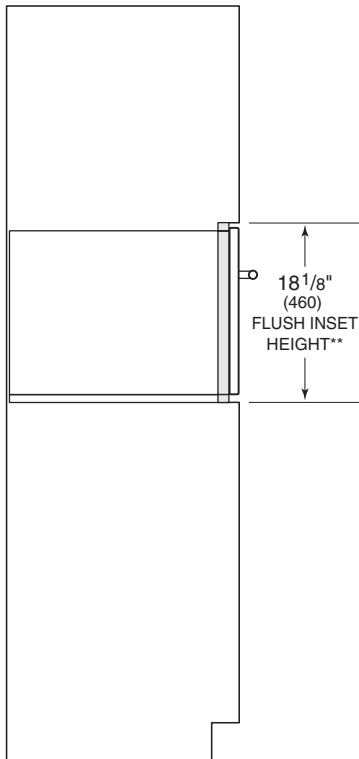
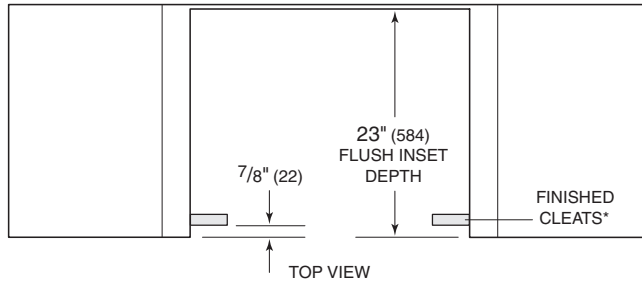
*NOTE: 24" (610) and 30" (762) models require the same opening dimensions.*

OPENING WIDTH	W
24" Model	22 <sup>1</sup> / <sub>8</sub> " (562)
30" Model	22 <sup>1</sup> / <sub>8</sub> " (562)

**MICROWAVE OVENS**

**Drop-Down Door Microwave Oven**

**FLUSH INSET INSTALLATION**



SIDE VIEW

FRONT VIEW

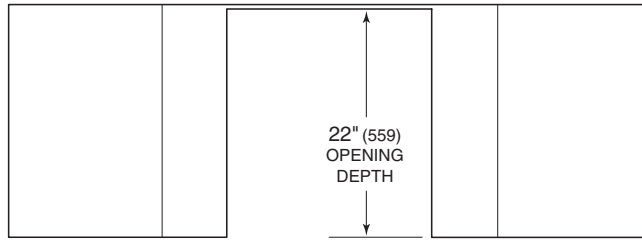
*\*Will be visible and should be finished to match cabinetry.  
 \*\*Dimension provides minimum reveals.*

<b>FLUSH INSET WIDTH</b>	<b>W</b>	<b>A</b>
24" Model	23 <sup>3</sup> / <sub>4</sub> " (603)	1 <sup>3</sup> / <sub>16</sub> " (21)
30" Model	30 <sup>1</sup> / <sub>8</sub> " (765)	4" (102)

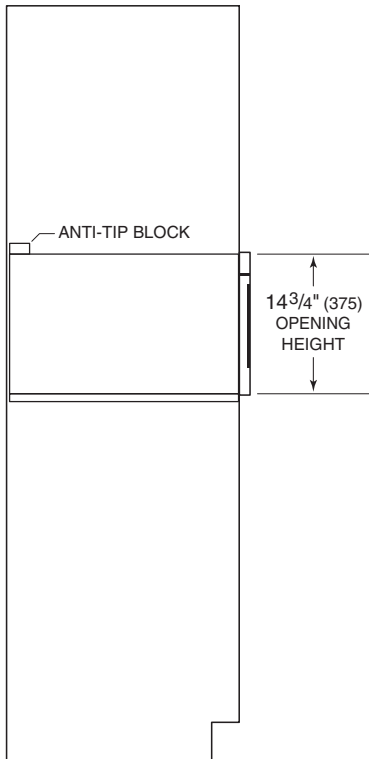
**MICROWAVE OVENS**

**Drawer Microwave Oven**

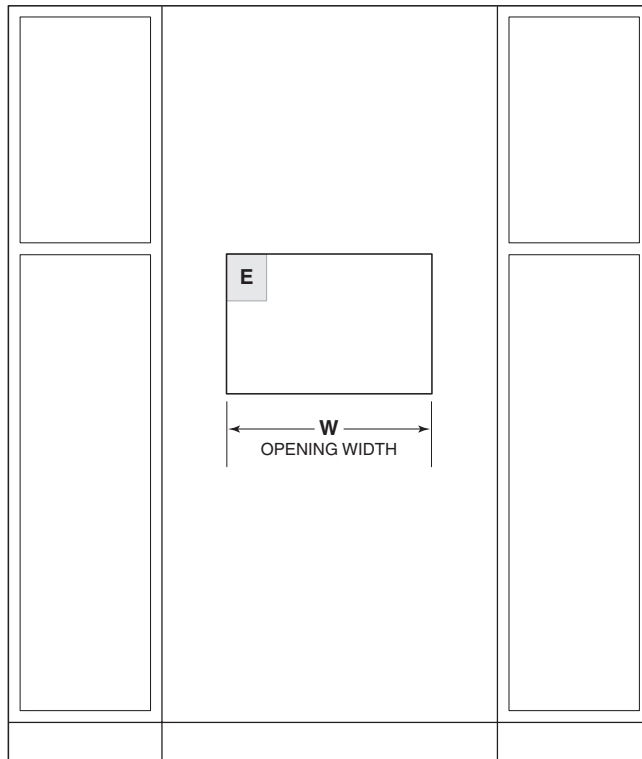
**STANDARD INSTALLATION**



TOP VIEW



SIDE VIEW



FRONT VIEW

*NOTE: All drawer microwave ovens require the same opening dimensions.*

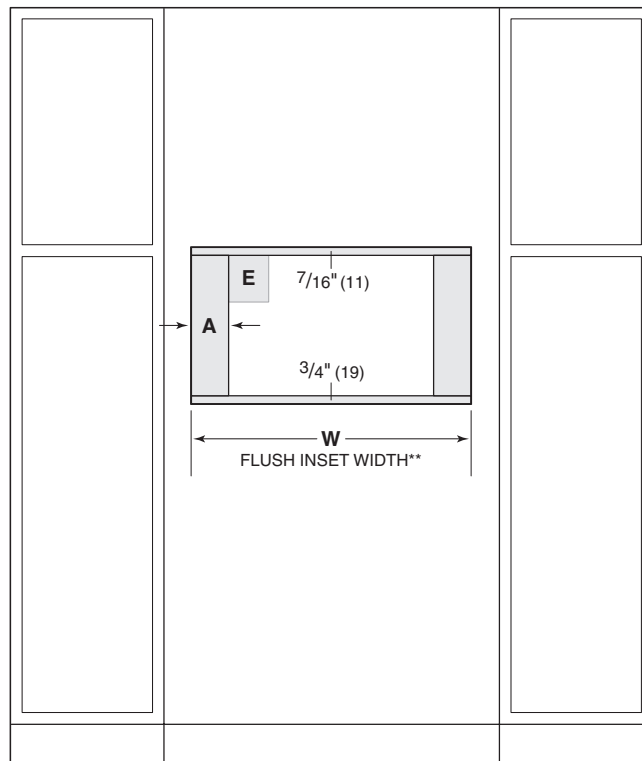
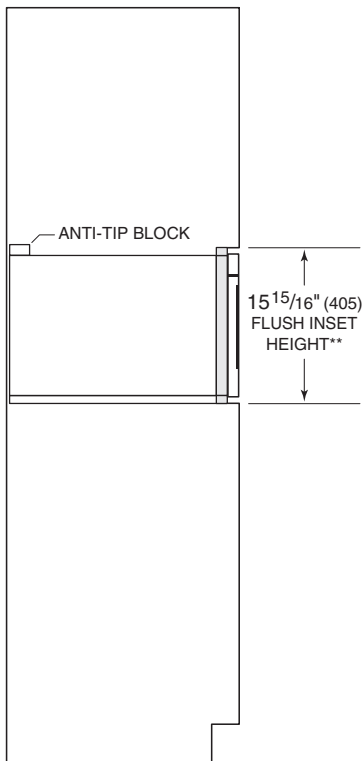
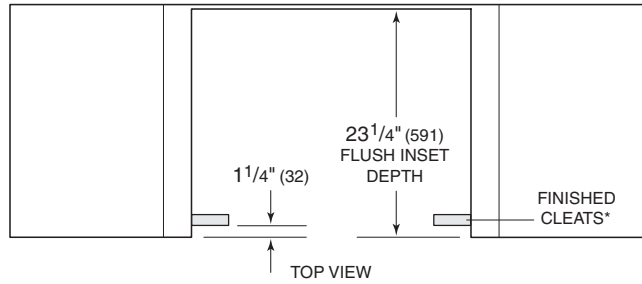
OPENING WIDTH	W
24" Model	22 <sup>1</sup> / <sub>8</sub> " (562)
30" Model	22 <sup>1</sup> / <sub>8</sub> " (562)



# MICROWAVE OVENS

## Drawer Microwave Oven

### FLUSH INSET INSTALLATION



SIDE VIEW

FRONT VIEW

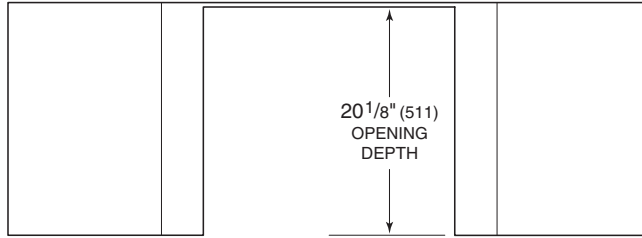
*\*Will be visible and should be finished to match cabinetry.  
 \*\*Dimension provides minimum reveals.*

FLUSH INSET WIDTH	W	A
24" Model	24 <sup>1</sup> / <sub>8</sub> " (613)	1" (25)
30" Model	30 <sup>1</sup> / <sub>8</sub> " (765)	4" (102)

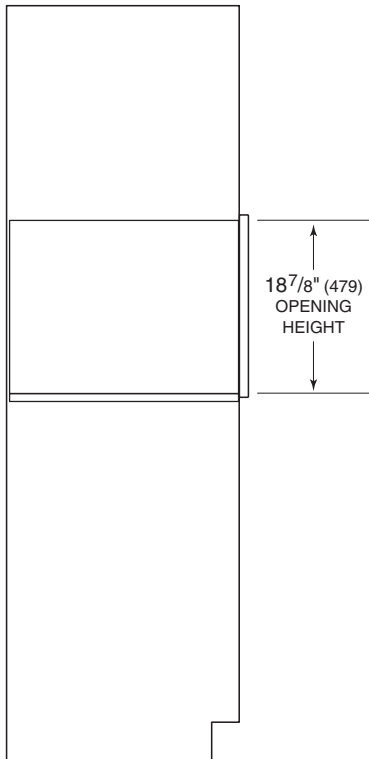
MICROWAVE OVENS

Convection Microwave Oven

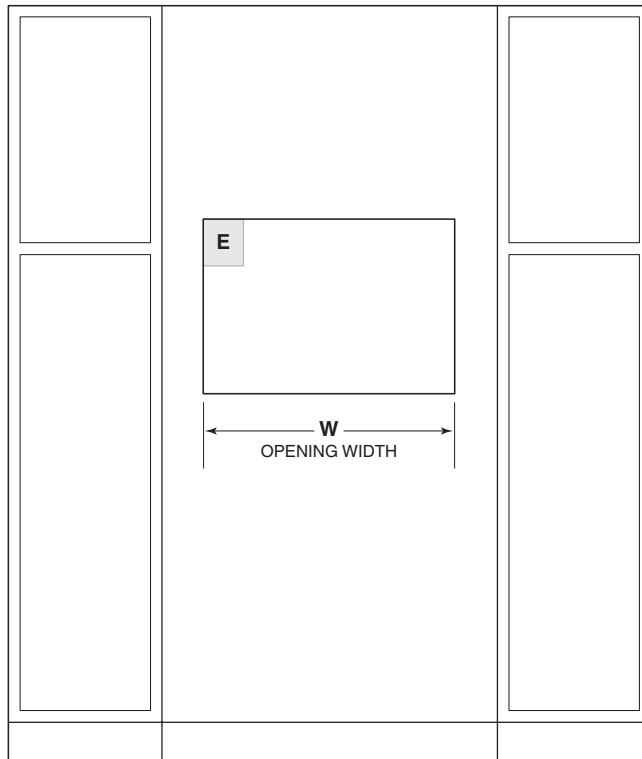
STANDARD INSTALLATION WITH TRIM



TOP VIEW



SIDE VIEW



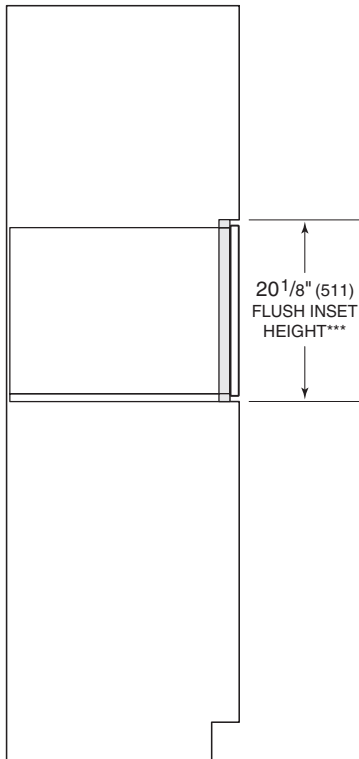
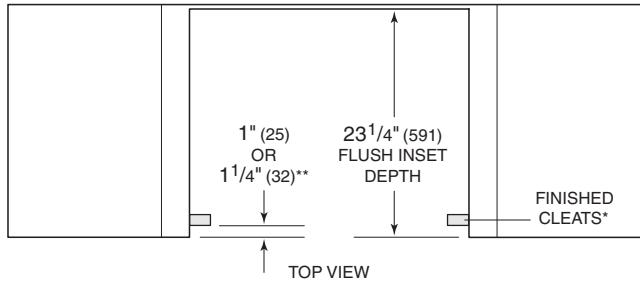
FRONT VIEW

OPENING WIDTH	W
27" Trim	$25\frac{1}{4}" (641)$
30" Trim	$27\frac{1}{2}" (699)$
36" Trim	$33\frac{3}{8}" (854)$

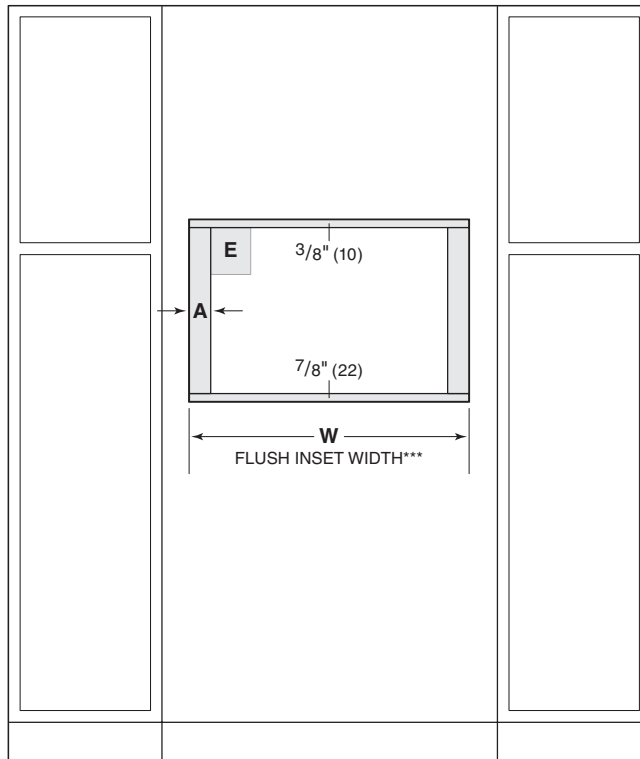
MICROWAVE OVENS

Convection Microwave Oven

FLUSH INSET INSTALLATION WITH TRIM



SIDE VIEW



FRONT VIEW

\*Will be visible and should be finished to match cabinetry.

\*\*1 1/4" (32) for contemporary E series trim only.

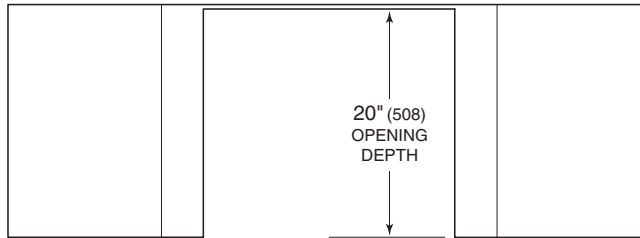
\*\*\*Dimension provides minimum reveals.

FLUSH INSET WIDTH	W	A
27" Trim	27 1/8" (689)	15/16" (24)
30" Trim	30 1/8" (765)	1 3/16" (30)

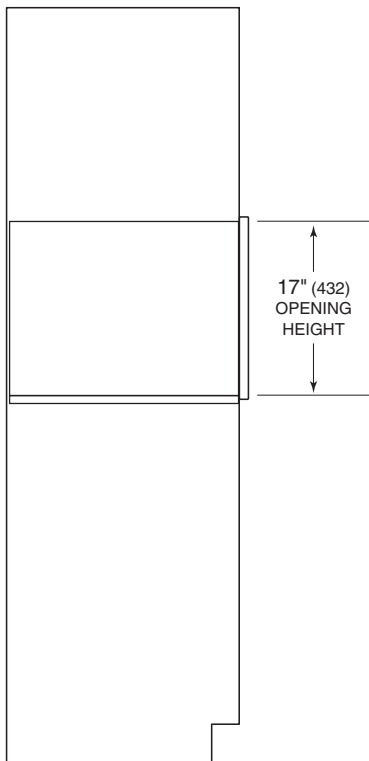
**MICROWAVE OVENS**

**Standard Microwave Oven**

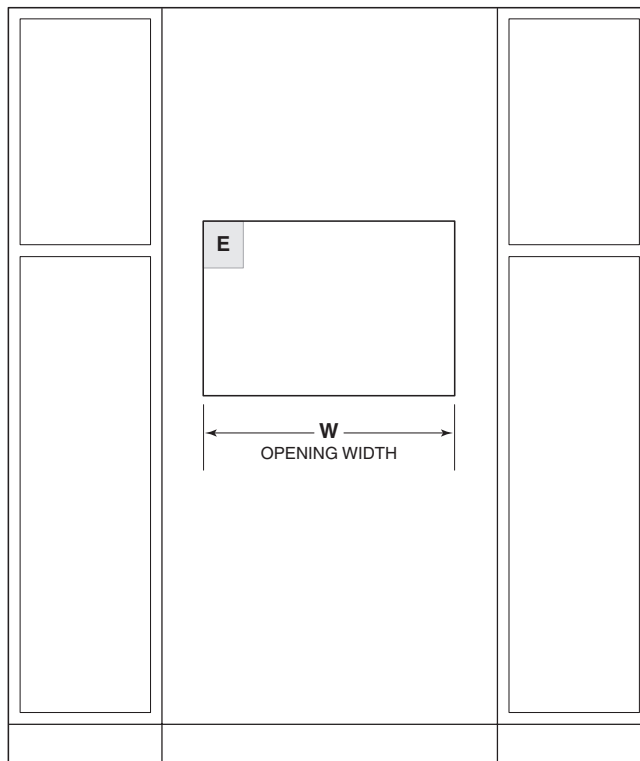
**STANDARD INSTALLATION WITH TRIM**



TOP VIEW



SIDE VIEW



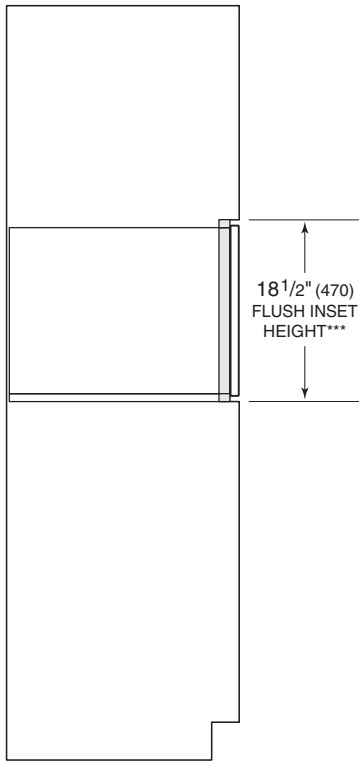
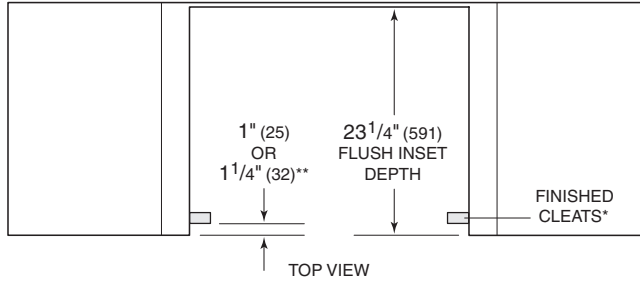
FRONT VIEW

OPENING WIDTH	W
27" Trim	25 <sup>1</sup> / <sub>4</sub> " (641)
30" Trim	27 <sup>1</sup> / <sub>2</sub> " (699)

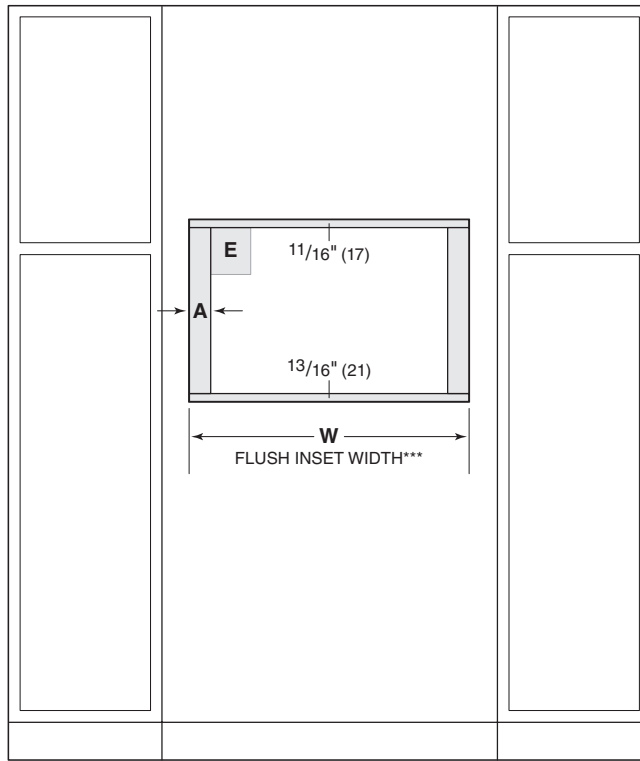
MICROWAVE OVENS

Standard Microwave Oven

FLUSH INSET INSTALLATION WITH TRIM



SIDE VIEW



FRONT VIEW

\*Will be visible and should be finished to match cabinetry.

\*\*1 1/4" (32) for contemporary E series trim only.

\*\*\*Dimension provides minimum reveals.

FLUSH INSET WIDTH	W	A
27" Trim	27 1/8" (689)	15/16" (24)
30" Trim	30 1/8" (765)	1 3/16" (30)



---

## WARMING DRAWERS

## Warming Drawers

Wolf warming drawers are designed to take care of prepared foods until it's time to serve them. You can adjust the temperature, keeping moist foods moist, and crisp foods crisp. Warming drawers are ideal for proofing dough. They can also be used to warm robes and towels. Drawer fronts are available to match the look of Wolf ovens, sealed burner rangetops, and outdoor grills. The integrated drawer front allows for a custom panel and handle. Model WWD300, approved for outdoor installations, is ideal for any outdoor kitchen.

### WARMING DRAWER FRONTS

#### M/E SERIES



TRANSITIONAL

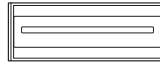


PROFESSIONAL



CONTEMPORARY

#### L SERIES



TRANSITIONAL

#### INTEGRATED



CUSTOM PANEL

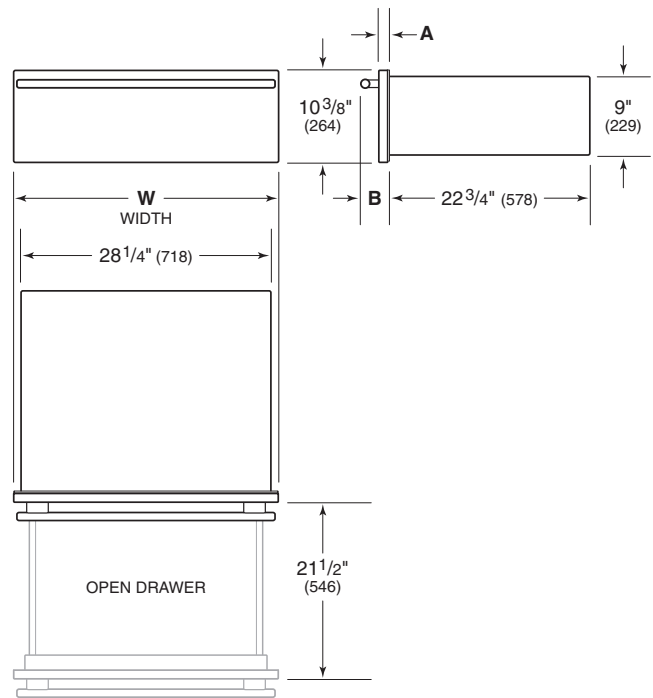
## Warming Drawers

### DRAWER FRONT OPTIONS

Wolf warming drawer fronts allow for many design options, but the warming drawer itself will be the same for all applications. A panel mounting kit is required when installing a custom panel. The panel mounting kit is available through an authorized Wolf dealer. For local dealer information, visit the find a showroom section of our website, [wolfappliance.com](http://wolfappliance.com).

The 2" (51) thick drawer front, in 30" and 36" widths, is designed to be installed below a sealed burner rangetop or outdoor gas grill, so the panel aligns properly with the front of the rangetop or grill. Dimensions for the warming drawer remain the same, even though the drawer front may be wider to match a Wolf 36" oven, sealed burner rangetop, or outdoor grill.

### DIMENSIONS



### STAINLESS STEEL DRAWER FRONT

WIDTH	W	
30" Drawer Front	29 <sup>7</sup> / <sub>8</sub> " (759)	
36" Drawer Front	35 <sup>7</sup> / <sub>8</sub> " (911)	
M SERIES	A	B
Transitional/Professional	7 <sup>7</sup> / <sub>8</sub> " (22)	3 <sup>1</sup> / <sub>4</sub> " (83)
Contemporary Stainless	7 <sup>7</sup> / <sub>8</sub> " (22)	3 <sup>1</sup> / <sub>4</sub> " (83)
Contemporary Black	1" (25)	3 <sup>3</sup> / <sub>8</sub> " (86)
E SERIES	A	B
Transitional/Professional	1 <sup>1</sup> / <sub>8</sub> " (29)	3 <sup>1</sup> / <sub>2</sub> " (89)
Professional (2" thick)	2 <sup>1</sup> / <sub>8</sub> " (54)	4 <sup>1</sup> / <sub>2</sub> " (114)
Contemporary	1 <sup>1</sup> / <sub>4</sub> " (32)	3 <sup>5</sup> / <sub>8</sub> " (92)
L SERIES	A	B
Transitional	7 <sup>7</sup> / <sub>8</sub> " (22)	3 <sup>1</sup> / <sub>2</sub> " (89)

### INTEGRATED DRAWER FRONT

CUSTOM PANEL	W	H	D
Dimensions (typical)	29 <sup>7</sup> / <sub>8</sub> " (759)	10 <sup>3</sup> / <sub>8</sub> " (264)	3 <sup>3</sup> / <sub>4</sub> " (19)
Min Thickness			5 <sup>5</sup> / <sub>8</sub> " (16)



## Planning Information

The warming drawer must be installed with a Wolf drawer front, available through an authorized Wolf dealer. For local dealer information, visit the find a showroom section of our website, wolfappliance.com. Specific installation instructions are included with the drawer front.

The warming drawer can be installed in a standard or flush inset application (excludes L series drawer front).

For a standard installation, the drawer collar and front panel sit proud of the cabinet face frame. A recessed installation requires the cabinetry be recessed by  $\frac{3}{16}$ " (5) so the collar is flush with the cabinet face frame but the drawer front will sit proud. A flush inset installation (excludes L series) requires the drawer collar and front panel be recessed to be flush with surrounding cabinetry. Refer to illustrations on the following pages for minimum cabinet dimensions for your specific installation.

Finish the edges of the opening. They may be visible when the drawer is open.

For standard installations, the face trim will overlap stiles and rails. Refer to the chart below.

For flush inset installations, a minimum  $\frac{1}{8}$ " (3) reveal is required on all sides. To ensure consistent reveals, each corner of the opening must be exactly 90°.

Model WWD300 is CSA approved for outdoor installations.

### INSTALLATION REQUIREMENTS

Min Base Support	200 lb (90 kg)
Trim Overlap (top, bottom, sides)	$\frac{5}{8}$ " (16)

### ELECTRICAL REQUIREMENTS

Installation must comply with all applicable electrical codes.

Locate the electrical supply flush with the back wall and within the shaded area shown in the illustrations on the following pages. For ease of installation, the electrical supply for the warming drawer can be placed in an adjacent cabinet within reach of the power cord.

**IMPORTANT NOTE:** When installed outdoors, a ground fault circuit interrupter (GFCI) is required to reduce the risk of electrical shock.

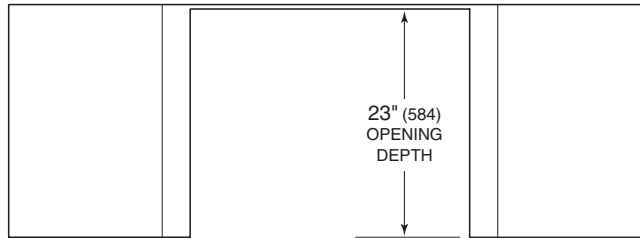
### ELECTRICAL REQUIREMENTS

Electrical Supply	grounded, 120 VAC, 60 Hz
Service	15 amp dedicated circuit
Receptacle	3-prong grounding-type
Power Cord	3' (.9 m)

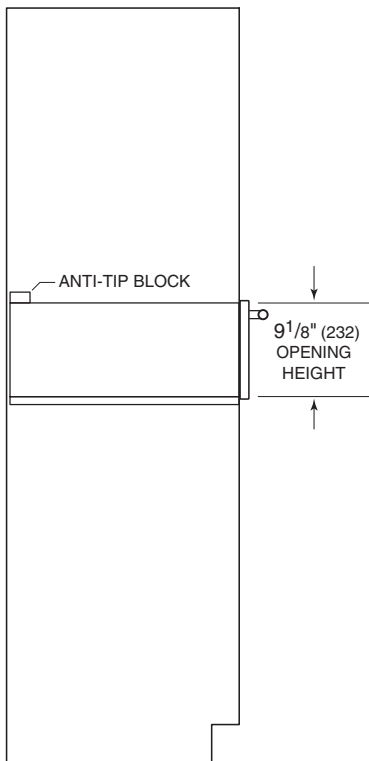
# WARMING DRAWERS

## Warming Drawer

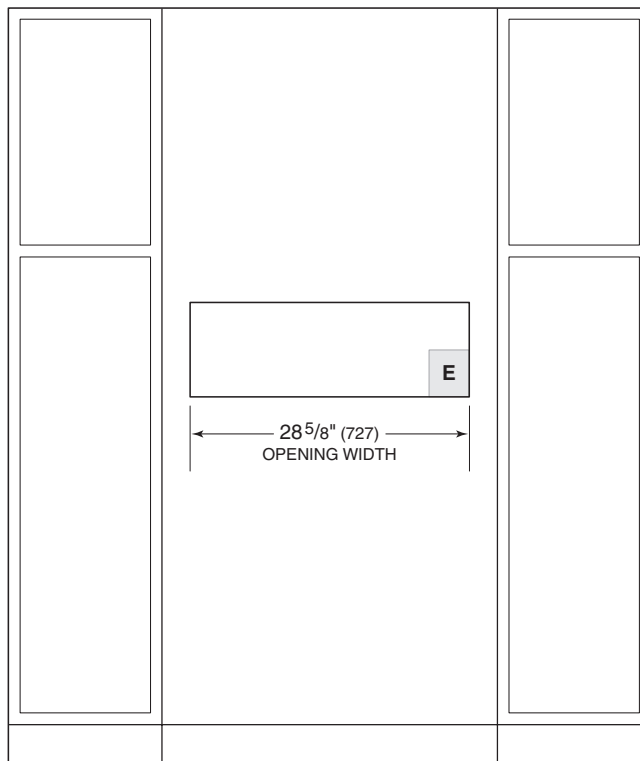
### STANDARD INSTALLATION



TOP VIEW



SIDE VIEW



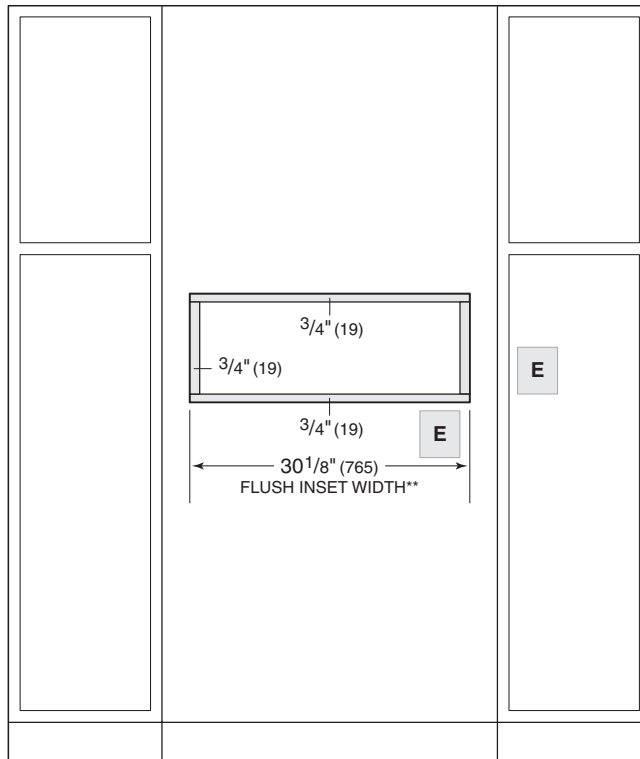
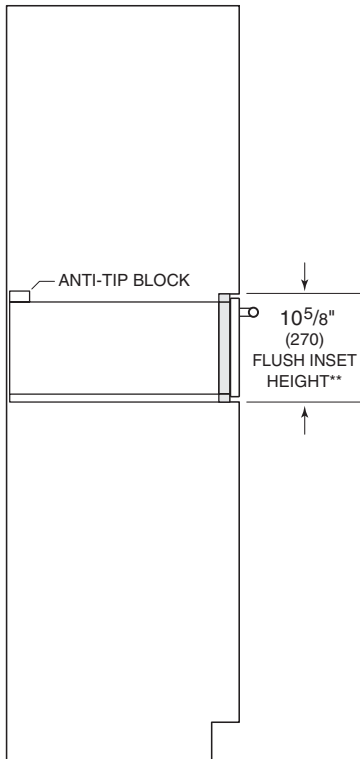
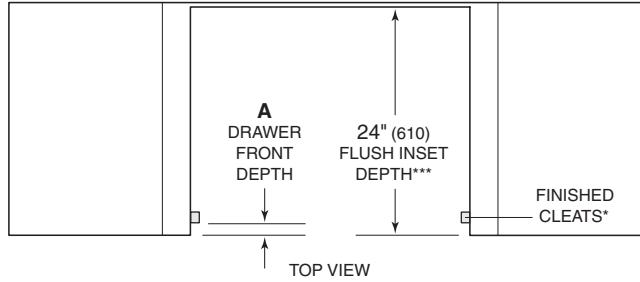
FRONT VIEW

*NOTE: Location of electrical supply within opening may require additional cabinet depth.*

# WARMING DRAWERS

## Warming Drawer

### FLUSH INSET INSTALLATION



SIDE VIEW

FRONT VIEW

\*Will be visible and should be finished to match cabinetry.

\*\*Dimension provides minimum reveals.

\*\*\*24 1/8" (613) for E series contemporary drawer front.

NOTE: Location of electrical supply within opening may require additional cabinet depth.

DRAWER FRONT DEPTH (A)	M SERIES	E SERIES
Transitional/Professional	7/8" (22)	1 1/8" (29)
Professional (2" thick)	NA	2 1/8" (54)
Contemporary Stainless	7/8" (22)	NA
Contemporary Black	1" (25)	1 3/8" (35)

Custom front panel depth is dependent on panel thickness. Add 1/4" (6) to the panel thickness to determine the drawer front depth.



---

INDUCTION | ELECTRIC COOKTOPS

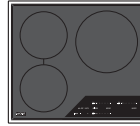
## Induction Cooktops

Almost instantaneous temperature response. Practically no wasted heat. Induction cooking has been popular among European chefs and homeowners for decades. Now Wolf leads the way in bringing this remarkable technology to North American kitchens. Its secret is magnetism. Electromagnetic elements cause iron and magnetic stainless cookware to heat up instantly and with perfectly distributed heat. Heat generation stops the instant you turn off the element or remove the pan. The cooktop's surface remains cool. Your kitchen stays cooler too.

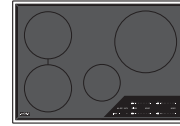
Transitional models have a brushed stainless steel trim. Contemporary models can be mounted flush with the countertop. The following models have the same stainless steel frame as our module cooktops for paired installations: CI243TF/S, CI304TF/S, and CI365TF/S.

## INDUCTION COOKTOPS

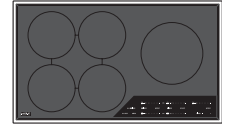
### TRANSITIONAL FRAMED



CI243TF/S

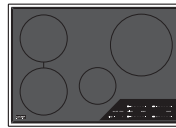


CI304TF/S

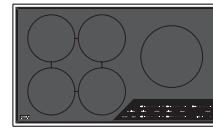


CI365TF/S

### TRANSITIONAL

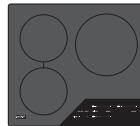


CI304T/S

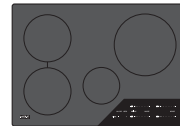


CI365T/S

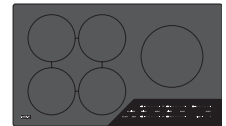
### CONTEMPORARY



CI243C/B



CI304C/B

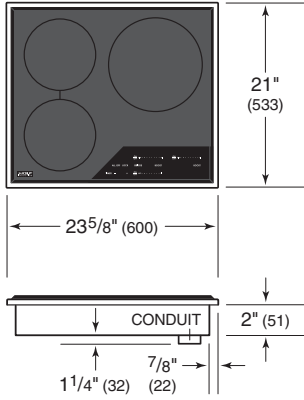


CI365C/B

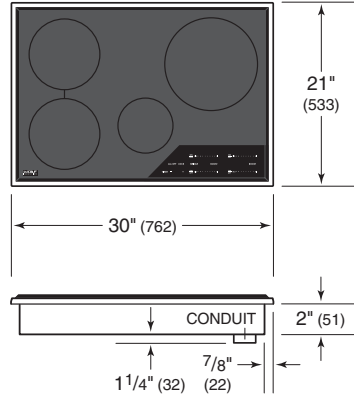
**INDUCTION COOKTOPS**

**Induction Cooktops**

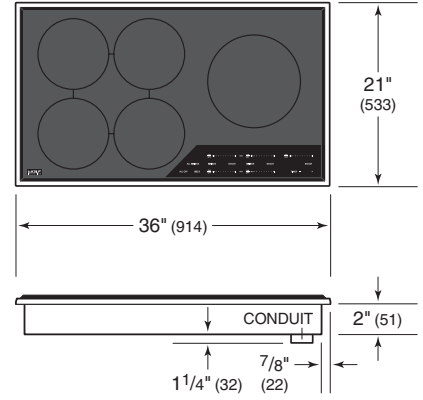
**24" TRANSITIONAL**



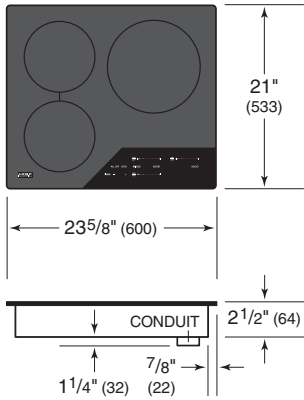
**30" TRANSITIONAL**



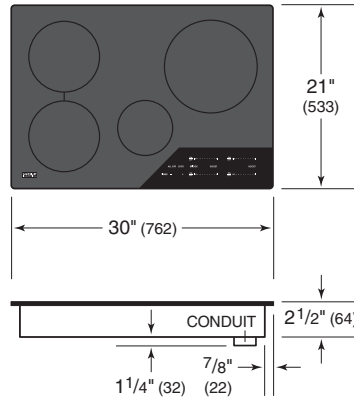
**36" TRANSITIONAL**



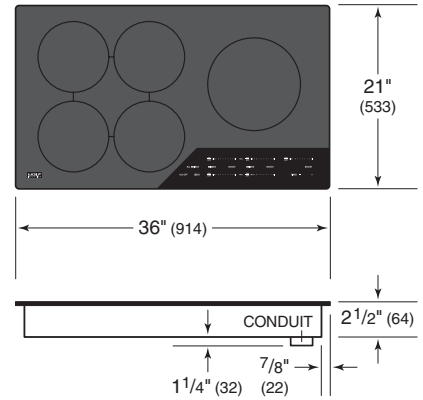
**24" CONTEMPORARY**



**30" CONTEMPORARY**



**36" CONTEMPORARY**



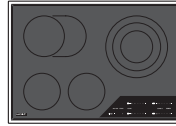
## ELECTRIC COOKTOPS

### Electric Cooktops

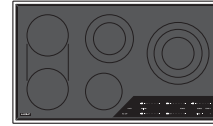
Wolf electric cooktops use high-frequency pulsation technology for the most exceptional performance and control ever in a Wolf electric cooktop, with blazing hot sears at the high end and steady simmers and melts at the low end—a low-end finesse that is unusual in an electric cooktop. The updated element configuration accommodates a wide variety of cooking vessels and dish preparation.

## ELECTRIC COOKTOPS

### TRANSITIONAL

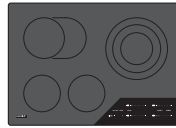


CE304T/S

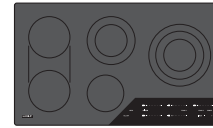


CE365T/S

### CONTEMPORARY



CE304C/B

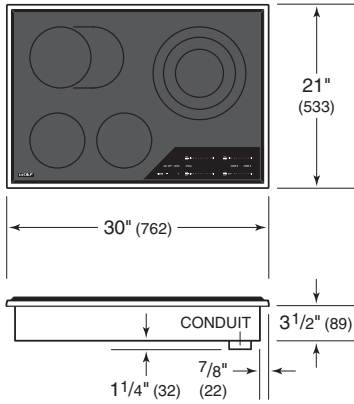


CE365C/B

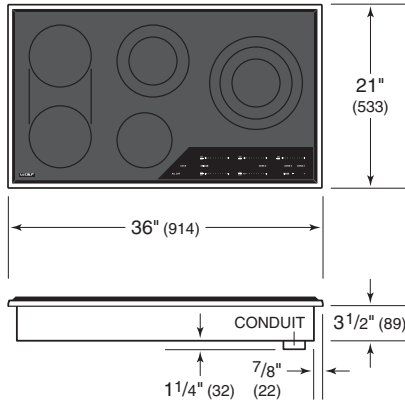
# ELECTRIC COOKTOPS

## Electric Cooktops

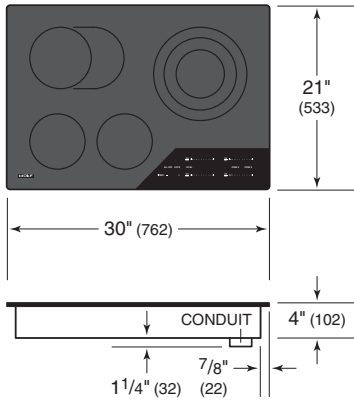
### 30" TRANSITIONAL



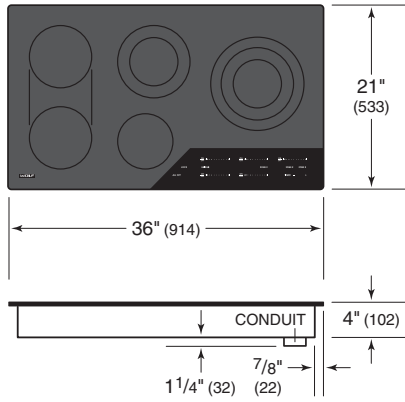
### 36" TRANSITIONAL



### 30" CONTEMPORARY



### 36" CONTEMPORARY





### Planning Information

A minimum 2" (51) is required from the bottom of the cooktop to combustible materials.

Contemporary induction and electric cooktops can be mounted flush with the top of the countertop, or as a frame-less standard installation sitting on top of the countertop surface. If the cooktop is to be mounted flush with the countertop, a recessed area surrounding the cooktop cutout must be provided.

**IMPORTANT NOTE:** Flush mount installations are intended for granite, solid surface, or stone countertop surfaces only.

### ELECTRICAL REQUIREMENTS

Installation must comply with all applicable electrical codes.

Locate the electrical supply as shown in the illustrations on the following pages. A separate circuit servicing only this appliance is required.

### ELECTRICAL REQUIREMENTS

---

#### INDUCTION

Electrical Supply	grounded 3-wire, 240/208 VAC, 60 Hz
Conduit	flexible 4' (1.2 m)

---

#### ELECTRIC

Electrical Supply	grounded 3-wire, 240 VAC, 60 Hz
Electrical Supply (208 V)	grounded 3-wire, 208 VAC, 60 Hz
Conduit	flexible 4' (1.2 m)

---

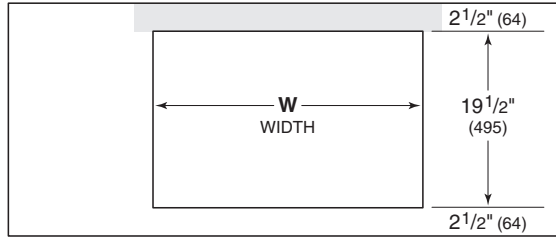
#### SERVICE

24" Induction	30 amp dedicated circuit
30" Induction/Electric	40 amp dedicated circuit
36" Induction/Electric	50 amp dedicated circuit

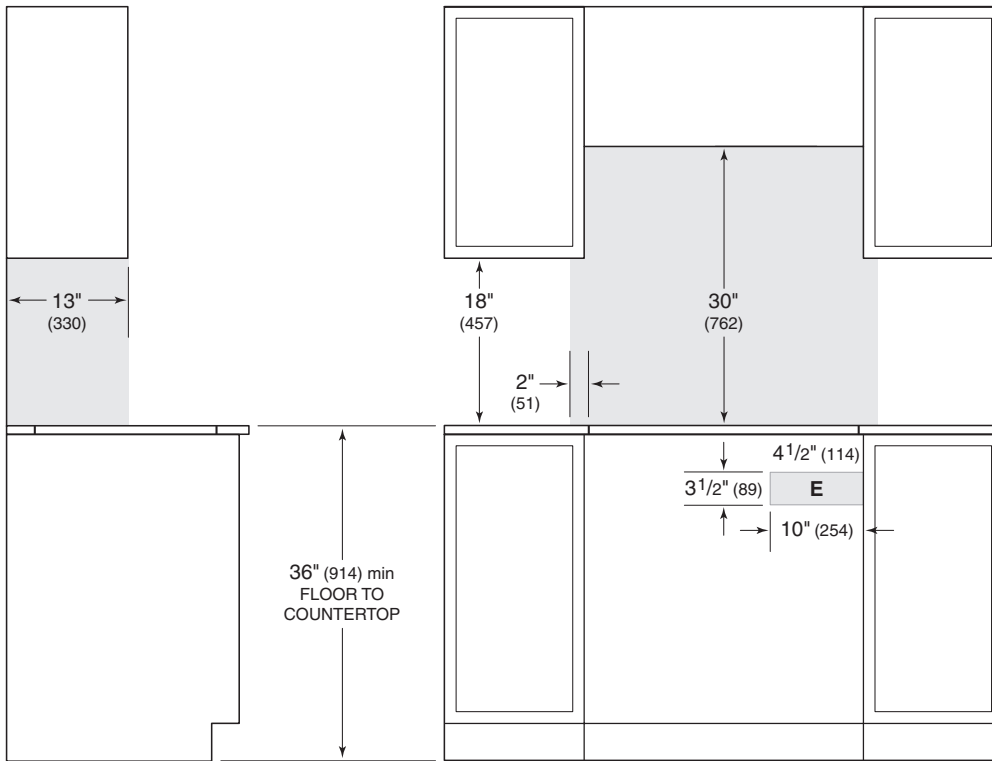
---

24" / 30" / 36" Cooktop

STANDARD INSTALLATION



COUNTERTOP CUTOUT



SIDE VIEW

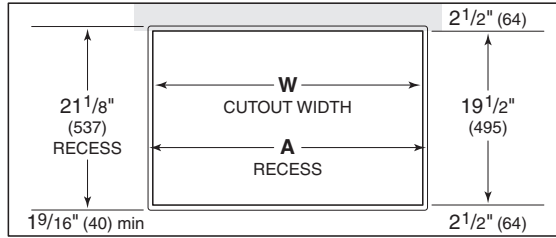
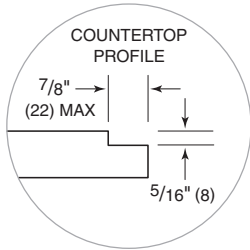
FRONT VIEW

NOTE: Shaded area above countertop indicates minimum clearance to combustible surfaces, combustible materials cannot be located within this area.  
Electrical supply location only applies to installations with built-in oven.

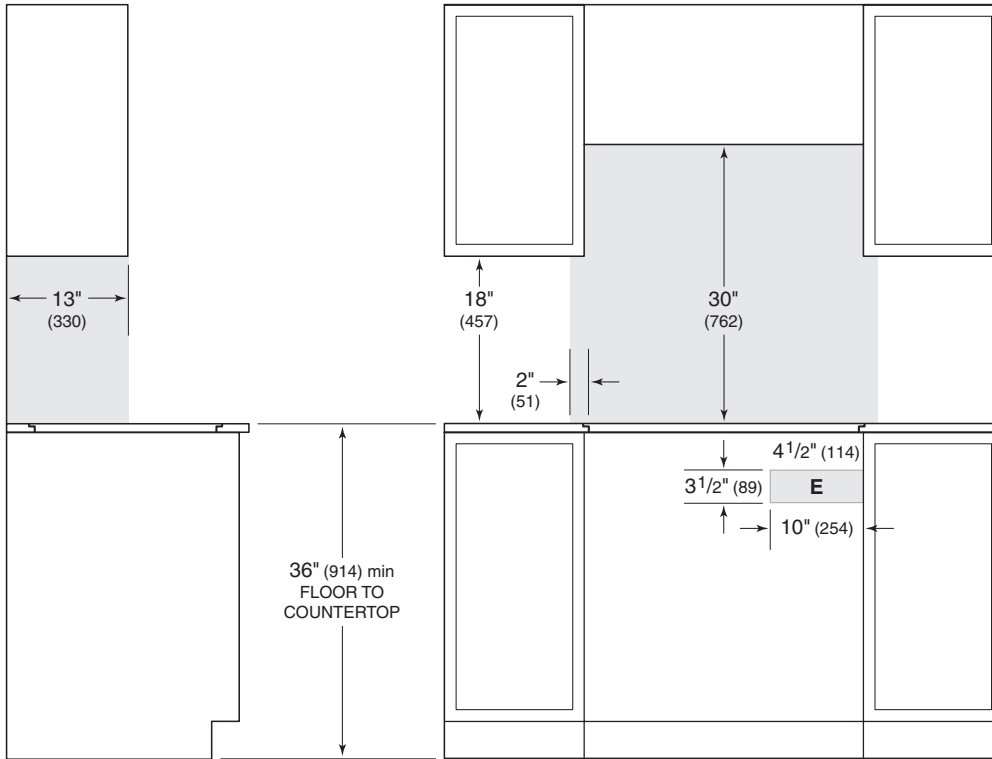
CUTOUT WIDTH	W
24" Induction	22 <sup>1</sup> / <sub>8</sub> " (562)
30" Induction/Electric	29" (737)
36" Induction/Electric	35" (889)

24" / 30" / 36" Cooktop

FLUSH INSTALLATION



COUNTERTOP CUTOUT



SIDE VIEW

FRONT VIEW

*NOTE: Shaded area above countertop indicates minimum clearance to combustible surfaces, combustible materials cannot be located within this area.  
Electrical supply location only applies to installations with built-in oven.  
Outside corner radius 7/16" (11).*

CUTOUT WIDTH	W	A
24" Induction	22 1/8" (562)	23 3/4" (603)
30" Induction/Electric	29" (737)	30 1/8" (765)
36" Induction/Electric	35" (889)	36 1/8" (918)



---

GAS COOKTOPS

## Gas Cooktops

Like their oven counterparts, Wolf gas cooktops feature three unique looks—transitional, professional, and contemporary. Performance enhancements make delicious results even more of a certainty than ever. Multiple sizes, choice of knob colors, and distinctly different grates. For a striking, low-profile look, the contemporary gas cooktop fits flush to the countertop with front-mounted controls that integrate directly into cabinetry below.

Model CG243TF/S has the same stainless steel frame as our module cooktops for paired installations.

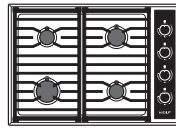
## GAS COOKTOPS

### TRANSITIONAL FRAMED

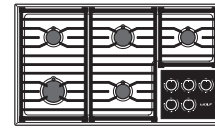


CG243TF/S

### TRANSITIONAL

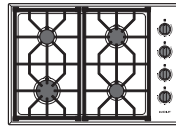


CG304T/S

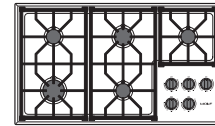


CG365T/S

### PROFESSIONAL

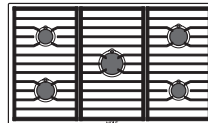


CG304P/S



CG365P/S

### CONTEMPORARY

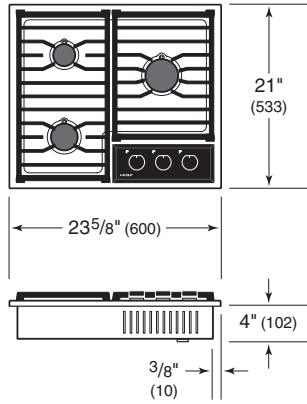


CG365C/S

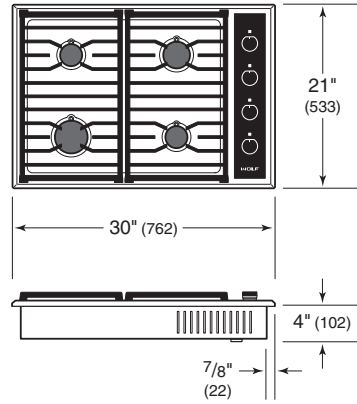
**GAS COOKTOPS**

**Gas Cooktops**

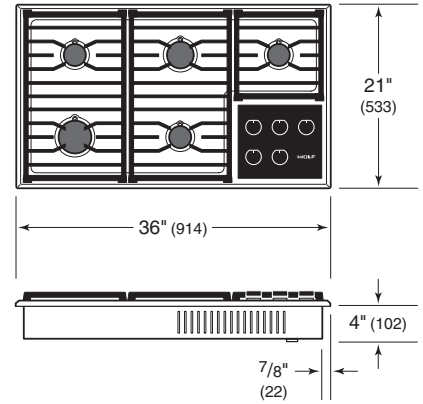
**24" TRANSITIONAL**



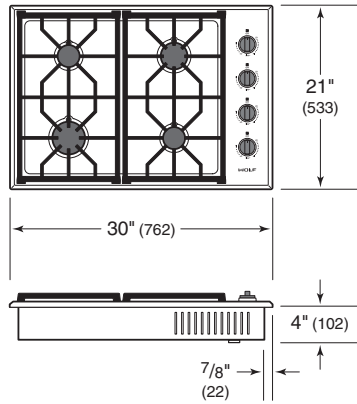
**30" TRANSITIONAL**



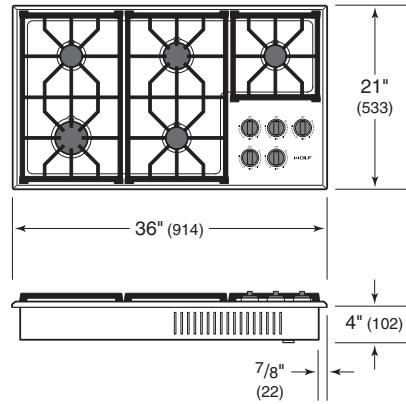
**36" TRANSITIONAL**



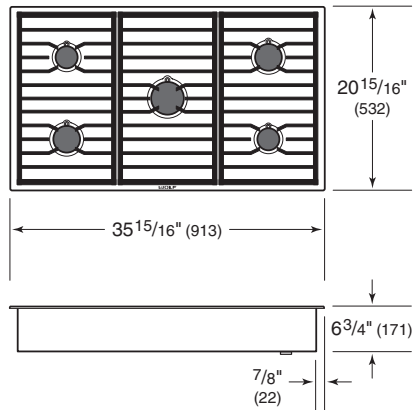
**30" PROFESSIONAL**



**36" PROFESSIONAL**



**36" CONTEMPORARY**



### Planning Information

A minimum 2" (51) is required from the bottom of the cooktop to combustible materials. If the cooktop is installed above an oven, a minimum of 1/4" (6) is required between the units.

The contemporary gas cooktop can be mounted flush with the top of the countertop, or as a standard installation sitting on top of the countertop surface. If the cooktop is to be mounted flush with the countertop, a recessed area surrounding the cooktop cutout must be provided. The countertop must be able to withstand temperatures up to 300°F (149°C).

Control knobs for the contemporary gas cooktop are designed to be mounted on the front face of cabinetry below the unit. Mounting holes must be drilled through the cabinet face. Refer to the illustrations on pages 82–83 for the hole location.

### ELECTRICAL REQUIREMENTS

Installation must comply with all applicable electrical codes.

Locate the electrical supply as shown in the illustrations on the following pages. A separate circuit servicing only this appliance is required. A ground fault circuit interrupter (GFCI) is not recommended and may cause interruption of operation.

### ELECTRICAL REQUIREMENTS

Electrical Supply	grounded, 120 VAC, 60 Hz
Service	15 amp dedicated circuit
Receptacle	3-prong grounding-type
Power Cord	6' (1.8 m)

## GAS COOKTOPS

### Planning Information

#### GAS SUPPLY

Installation must comply with all applicable gas codes.

If local codes permit, a certified, 3' (.9 m) long, 1/2" (13) or 3/4" (19) ID flexible metal appliance connector is recommended.

Wolf natural gas cooktops will function up to 10,250' (3124 m) in altitude without adjustment and LP gas cooktops will function up to 8,600' (2621 m). If the installation exceeds these elevations, contact an authorized Wolf dealer for a high altitude conversion kit.

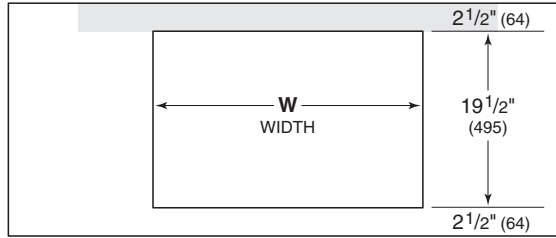
#### GAS REQUIREMENTS

Gas Supply	3/4" ID line
Gas Inlet	1/2" NPT male
<b>NATURAL GAS</b>	<b>WC</b>
Supply Pressure	5" (12.5 mb)
Min Line Pressure	7" (17.5 mb)
Max Regulator Pressure	14" (34.9 mb), .5 psi (3.5 kPa)
<b>LP GAS</b>	<b>WC</b>
Supply Pressure	10" (25 mb)
Min Line Pressure	11" (27.4 mb)
Max Regulator Pressure	14" (34.9 mb), .5 psi (3.5 kPa)

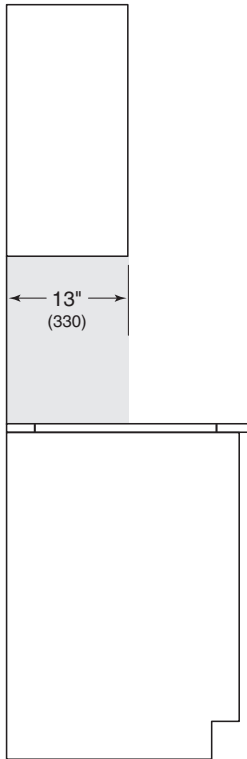


24" / 30" / 36" Transitional / Professional Gas Cooktop

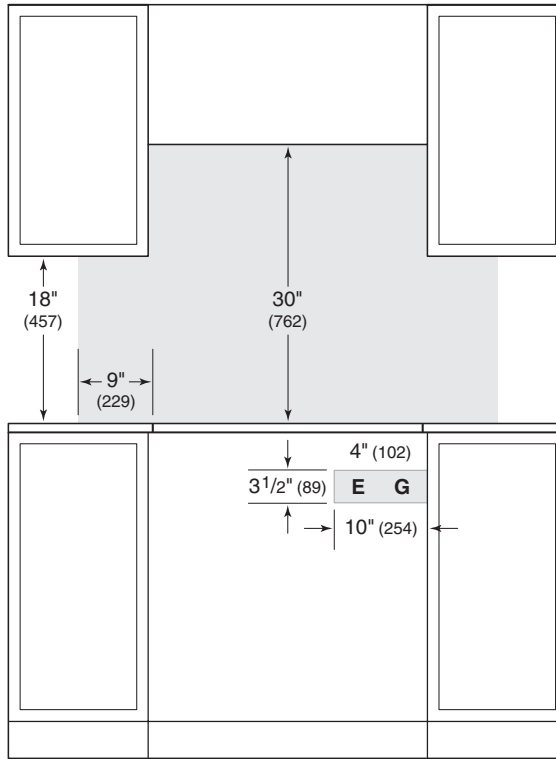
STANDARD INSTALLATION



COUNTERTOP CUTOUT



SIDE VIEW



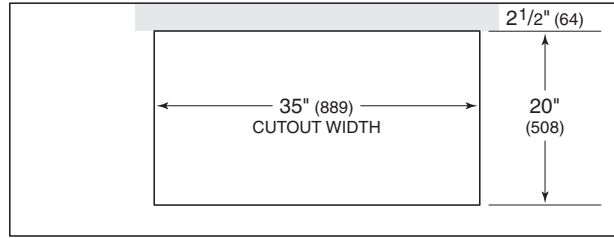
FRONT VIEW

NOTE: Shaded area above countertop indicates minimum clearance to combustible surfaces, combustible materials cannot be located within this area.  
Electrical and gas supply location only applies to installations with built-in oven.

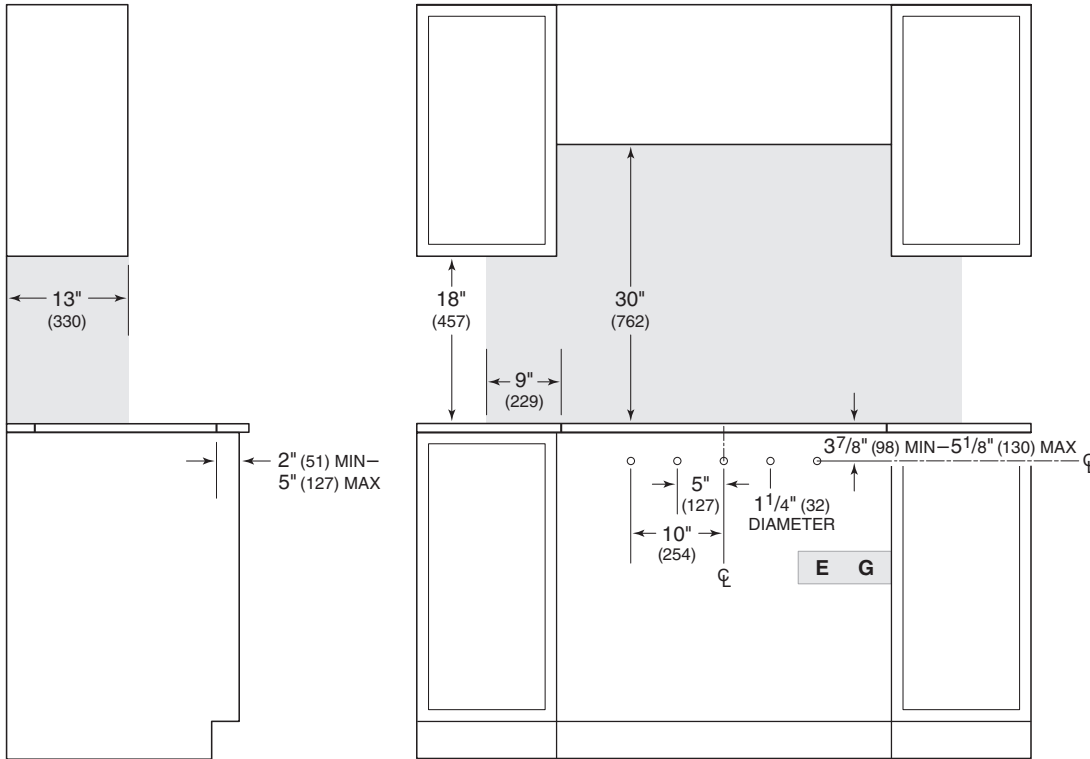
CUTOUT WIDTH	W
24" Transitional	23" (584)
30" Transitional/Professional	29" (737)
36" Transitional/Professional	35" (889)

### 36" Contemporary Gas Cooktop

#### STANDARD INSTALLATION



COUNTERTOP CUTOUT



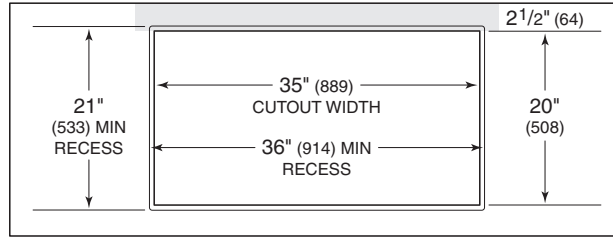
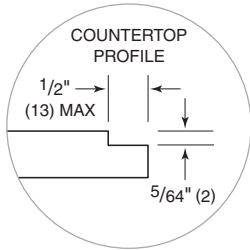
SIDE VIEW

FRONT VIEW

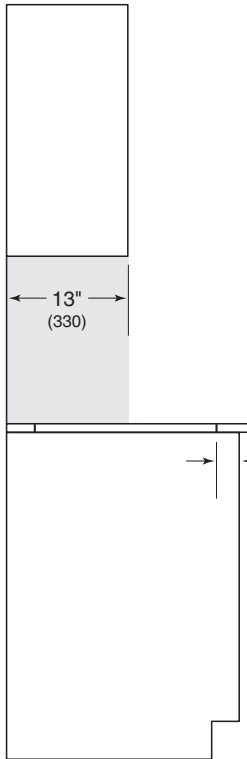
*NOTE: Shaded area above countertop indicates minimum clearance to combustible surfaces, combustible materials cannot be located within this area.  
Maximum facade thickness 1" (25). 1" (25) thickness extends 17" (432) left and right and 2" (51) above and below centerlines.*

## 36" Contemporary Gas Cooktop

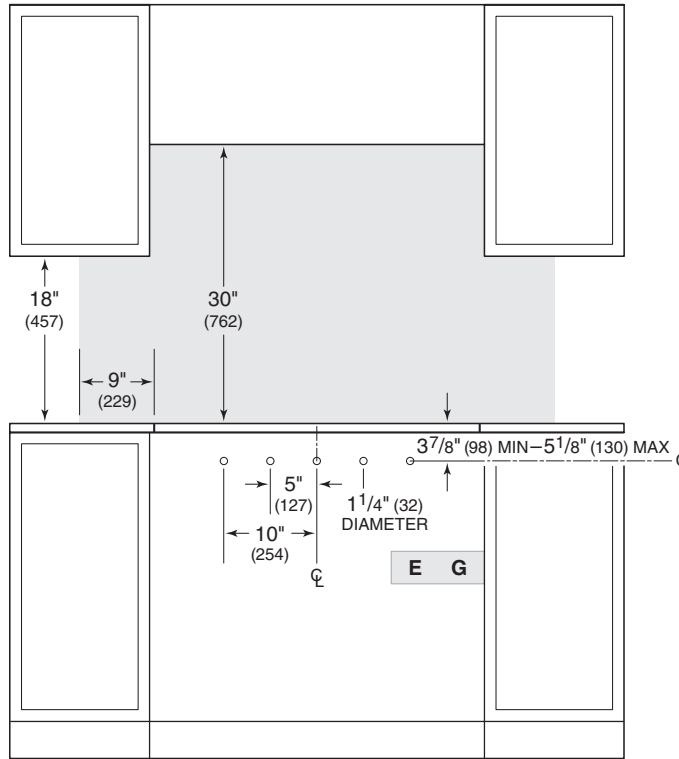
### FLUSH INSTALLATION



COUNTERTOP CUTOUT



SIDE VIEW



FRONT VIEW

*NOTE: Shaded area above countertop indicates minimum clearance to combustible surfaces, combustible materials cannot be located within this area.*

*Maximum facade thickness 1" (25). 1" (25) thickness extends 17" (432) left and right and 2" (51) above and below centerlines. Outside corner radius 3/8" (10).*



---

## MODULE COOKTOPS

### Module Cooktops

Wolf modules have been redesigned to match the updated lines of Sub-Zero and Wolf. Controls, grates, and trim allow them to integrate perfectly with their larger counterparts and deliver equal performance. Combine modules à la carte-style to create a custom cooktop, or add specialty functions alongside an existing cooktop.

Full-size cooktops including CI243TF/S, CG243TF/S, CI304TF/S, and CI365TF/S feature the same brushed stainless frame, making them ideal for pairing with modules.

### MODULE COOKTOPS



CI152TF/S  
INDUCTION



CE152TF/S  
ELECTRIC



SM15TF/S  
STEAMER



FM15TF/S  
FRYER



GM15TF/S  
GRILL



TM15TF/S  
TEPPANYAKI



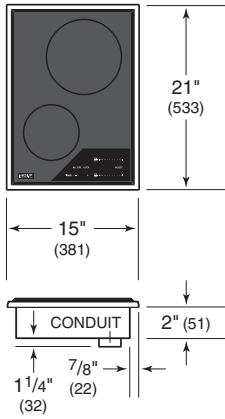
CG152TF/S  
GAS



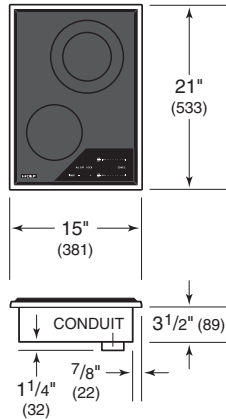
MM15TF/S  
MULTI-  
FUNCTION

Module Cooktops

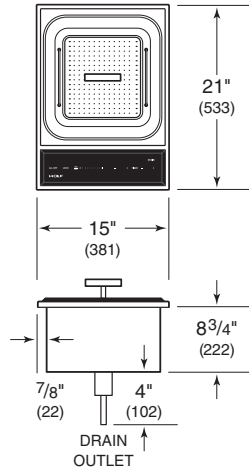
INDUCTION



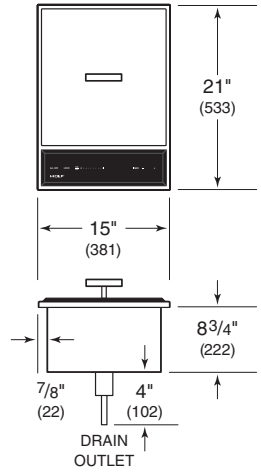
ELECTRIC



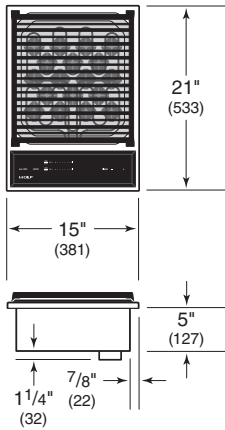
STEAMER



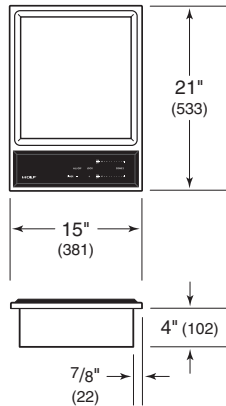
FRYER



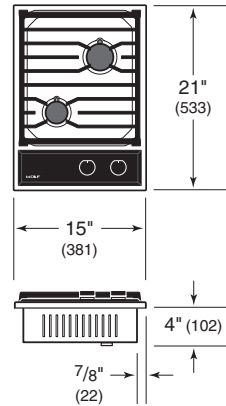
GRILL



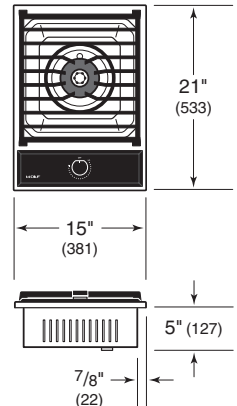
TEPPANYAKI



GAS



MULTIFUNCTION



### Planning Information

**IMPORTANT NOTE:** Wolf does not recommend the use of downdraft ventilation with the steamer, fryer, or grill modules.

A minimum 2" (51) is required from the bottom of the module to combustible materials. For the teppanyaki module, a minimum 7/8" (22) is required from the bottom of the unit to any material.

Refer to the illustrations on the following pages for installation of modules.

### MULTIPLE COOKTOPS

When multiple cooktops or modules are installed side by side, refer to the chart and illustration below for typical configurations. The cutout dimensions provided will accommodate the use of an optional filler strip if desired.

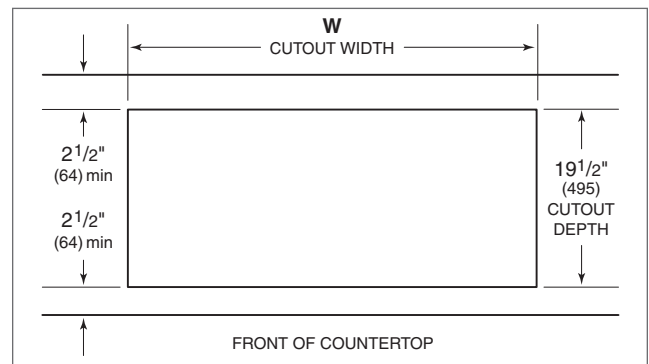
For specific multiple cooktop and module configuration options or the installation of more than six modules, contact Wolf Customer Care at 800-222-7820.

#### COUNTERTOP CUTOUT

	<b>W</b>
(2) 15" Modules*	29" (737)
(3) 15" Modules*	44" (1118)
(4) 15" Modules*	59 <sup>1</sup> / <sub>4</sub> " (1505)
(5) 15" Modules*	74 <sup>1</sup> / <sub>4</sub> " (1886)
(6) 15" Modules*	89 <sup>1</sup> / <sub>4</sub> " (2267)
24" Cooktop**/15" Module*	37 <sup>5</sup> / <sub>8</sub> " (956)
30" Cooktop/15" Module*	44" (1118)
30" Cooktop/(2) 15" Modules*	59" (1473)
36" Cooktop/15" Module*	50" (1270)

\*Dimensions apply to CI152TF/S, CE152TF/S, CG152TF/S, SM15TF/S, FM15TF/S, GM15TF/S, TM15TF/S and MM15TF/S.

\*\*23<sup>5</sup>/<sub>8</sub>" actual product width.



Countertop cutout

## Planning Information

### ELECTRICAL

Installation must comply with all applicable electrical codes.

Locate the electrical supply as shown in the illustrations on the following pages. A separate circuit servicing only this appliance is required.

When multiple cooktops or modules are installed side by side, each must have its own separate electrical supply.

### ELECTRICAL REQUIREMENTS

#### ELECTRIC MODULES

Electrical Supply	grounded 3-wire, 240/208 VAC, 50/60 Hz
Steamer, Fryer, Grill, Teppanyaki	15 amp dedicated circuit
Induction, Electric	20 amp dedicated circuit
Conduit	flexible 4' (1.2 m)

#### GAS MODULES

Electrical Supply	grounded, 120 VAC, 50/60 Hz
Service	15 amp dedicated circuit
Receptacle	3-prong grounding-type
Power Cord	6' (1.8 m)

### DRAIN OUTLET

Steamer and fryer modules require a method for draining hot water and oil. For the steamer module, options include connecting a drain hose from the 5/8" (16) outlet tied into an existing drain, a separate drain with freefall, or placing a heat-resistant receptacle under the drain outlet. For the fryer module, the drain outlet must be accessible to drain oil into a heat-resistant receptacle.

### GAS SUPPLY

Installation must comply with all applicable gas codes.

If local codes permit, a certified, 3' (.9 m) long, 1/2" (13) or 3/4" (19) ID flexible metal appliance connector is recommended.

When multiple gas cooktops or modules are installed side by side, they can receive their gas supply from a common line. However, each unit must have its own regulator installed between the mainline and the cooktop or module.

Wolf natural gas cooktops will function up to 10,250' (3124 m) in altitude without adjustment and LP gas cooktops will function up to 8,600' (2621 m). If the installation exceeds these elevations, contact an authorized Wolf dealer for a high altitude conversion kit.

### GAS REQUIREMENTS

Gas Supply	3/4" ID line
Gas Inlet	1/2" NPT male

#### NATURAL GAS

Supply Pressure	5" (12.5 mb)	<b>WC</b>
Min Line Pressure	7" (17.5 mb)	
Max Regulator Pressure	14" (34.9 mb), .5 psi (3.5 kPa)	

#### LP GAS

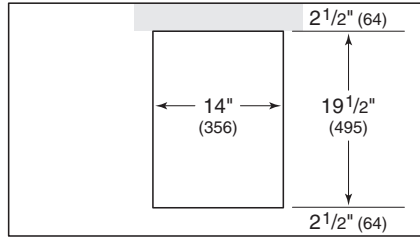
Supply Pressure	10" (25 mb)	<b>WC</b>
Min Line Pressure	11" (27.4 mb)	
Max Regulator Pressure	14" (34.9 mb), .5 psi (3.5 kPa)	



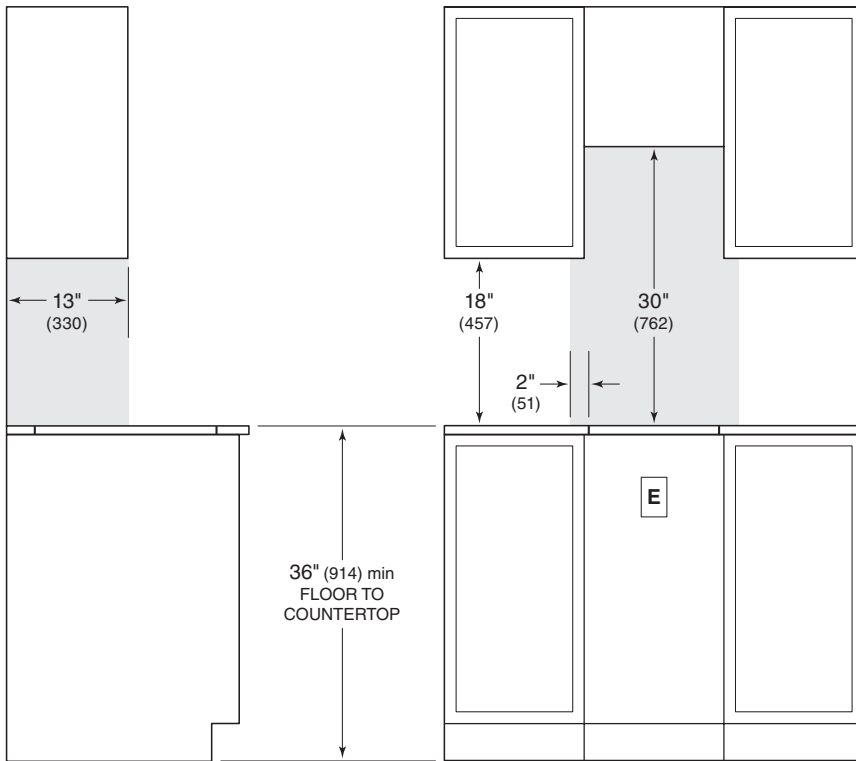
MODULE COOKTOPS

Induction / Electric Module

STANDARD INSTALLATION



COUNTERTOP CUTOUT



SIDE VIEW

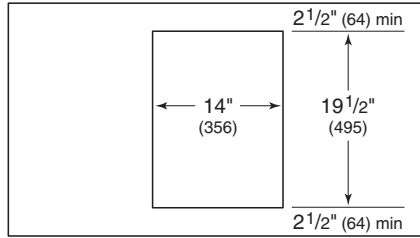
FRONT VIEW

NOTE: Shaded area above countertop indicates minimum clearance to combustible surfaces, combustible materials cannot be located within this area.

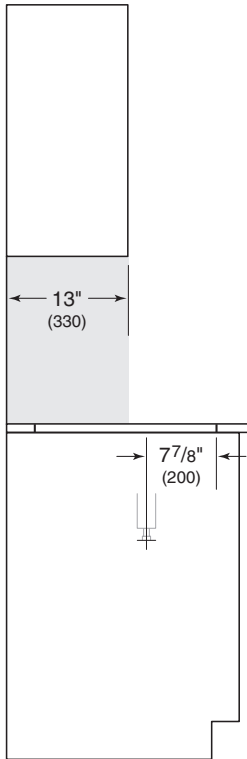
# MODULE COOKTOPS

## Steamer Module

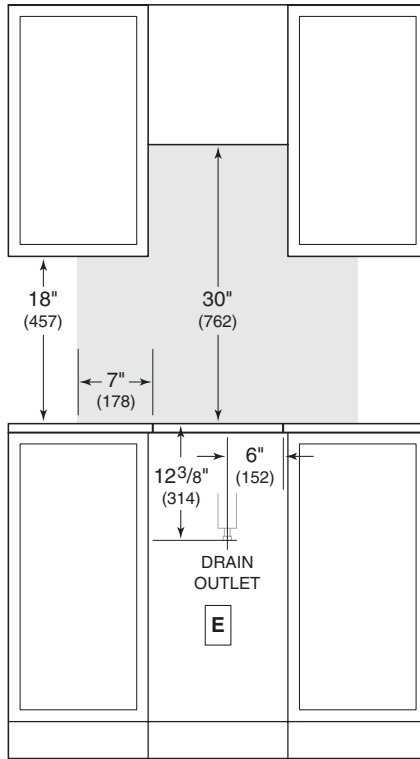
### STANDARD INSTALLATION



COUNTERTOP CUTOUT



SIDE VIEW



FRONT VIEW

*NOTE: Shaded area above countertop indicates minimum clearance to combustible surfaces, combustible materials cannot be located within this area.*

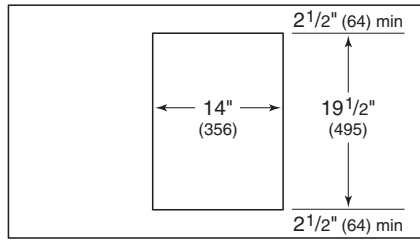
#### **⚠ WARNING**

The steamer module must be installed at least 15" (381) from a fryer module.

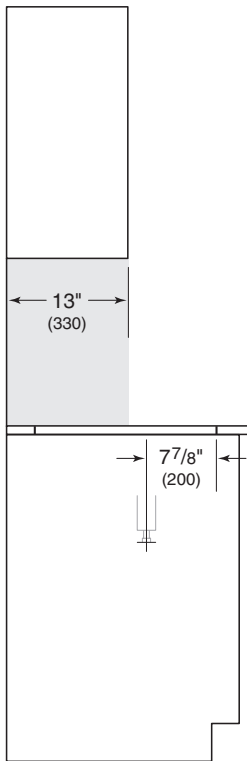
# MODULE COOKTOPS

## Fryer Module

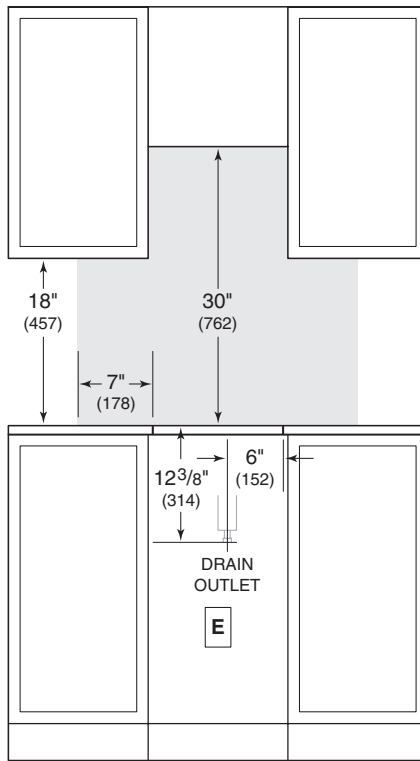
### STANDARD INSTALLATION



COUNTERTOP CUTOUT



SIDE VIEW



FRONT VIEW

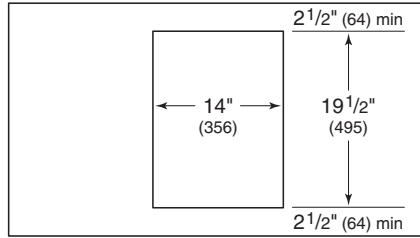
*NOTE: Shaded area above countertop indicates minimum clearance to combustible surfaces, combustible materials cannot be located within this area.*

#### **⚠ WARNING**

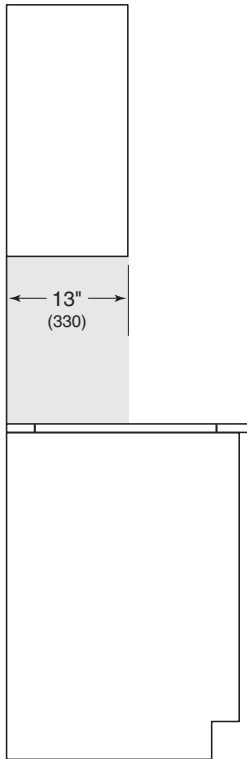
The fryer module must be installed at least 15" (381) from any open-flame cooking device or a steamer module.

Grill / Teppanyaki Module

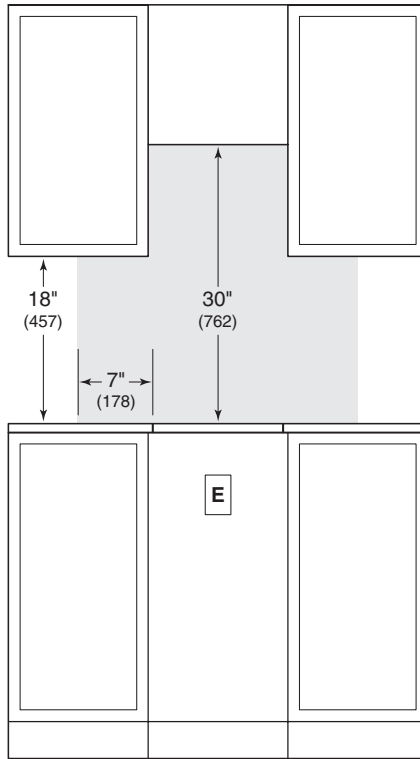
STANDARD INSTALLATION



COUNTERTOP CUTOUT



SIDE VIEW

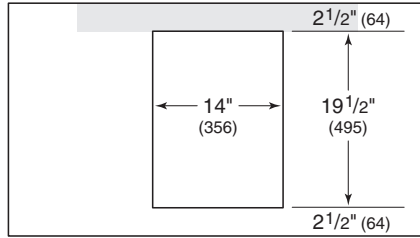


FRONT VIEW

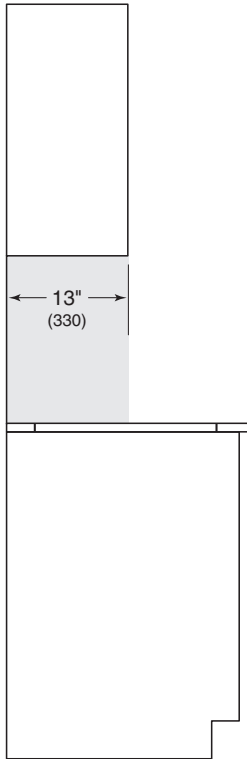
NOTE: Shaded area above countertop indicates minimum clearance to combustible surfaces, combustible materials cannot be located within this area.

Gas / Multifunction Module

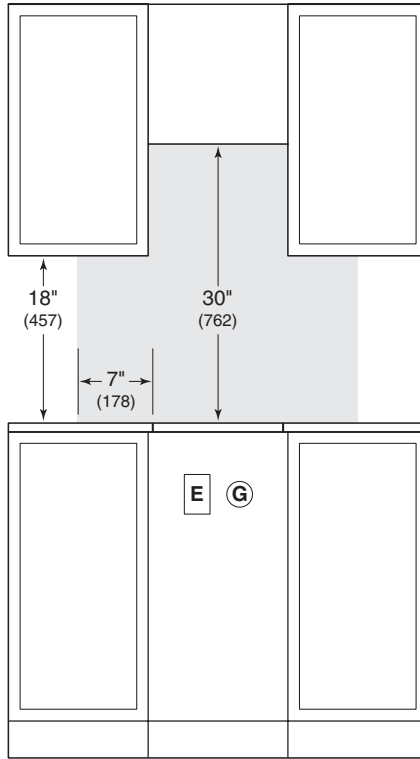
STANDARD INSTALLATION



COUNTERTOP CUTOUT



SIDE VIEW



FRONT VIEW

NOTE: Shaded area above countertop indicates minimum clearance to combustible surfaces, combustible materials cannot be located within this area.



---

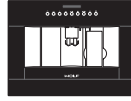
## COFFEE SYSTEMS

## Coffee Systems

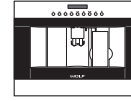
Make professional-quality coffee, espresso, cappuccino, latte, and more. The Wolf coffee system automatically steams and foams the milk perfectly. The water temperature and brew strength are adjustable. It uses either whole-bean or ground coffee. The design pairs beautifully, either side-by-side or in a tower application, with other Wolf products such as the convection steam oven. Coffee systems can be installed in a standard or flush inset application. All 30" trim options are based on model EC24/B.

### COFFEE SYSTEMS

#### 24" MODELS

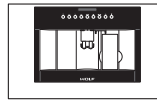


EC24/B

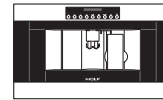


EC24/S

#### TRANSITIONAL



30" M SERIES TRIM

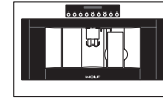


30" E SERIES TRIM

#### PROFESSIONAL

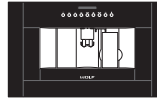


30" M SERIES TRIM



30" E SERIES TRIM

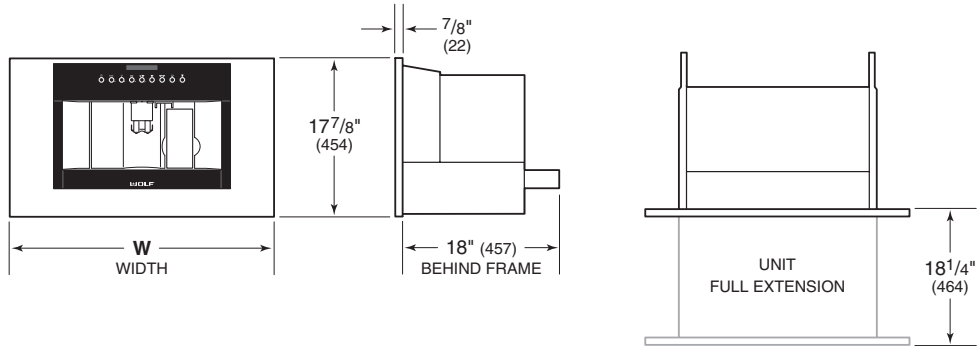
#### CONTEMPORARY



30" M/E SERIES TRIM

Coffee System

DIMENSIONS



WIDTH	W
24" Model	$23\frac{1}{2}"$ (597)
30" Trim	$29\frac{7}{8}"$ (759)



## Planning Information

The coffee system can be installed in a standard or flush inset application. All 30" trim options are based on model EC24/B. The sides of the cabinetry opening must be adequate to support installation of the mounting slides. Refer to the illustration below.

Finish the edges of the opening. They may be visible when the unit is slid forward.

For standard installations, the face trim will overlap stiles and rails. Refer to the chart below.

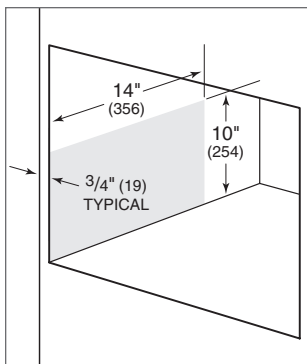
For flush inset installations, a minimum 1/8" (3) reveal is required on all sides. To ensure consistent reveals, each corner of the opening must be exactly 90°.

### INSTALLATION REQUIREMENTS

BASE SUPPORT		MIN
Coffee System		100 lb (45 kg)
TRIM OVERLAP		
	24" MODEL	30" TRIM
Top	3/16" (5)	3/16" (5)
Bottom	0" (0)	0" (0)
Sides	11/16" (18)	37/8" (98)

### COMBINATION INSTALLATION

To install a coffee system above a cup warming drawer, one opening for both units must be specified. To achieve the minimum reveal between the units, place the coffee system support rails on top of the cup warming drawer, then secure the rails to the sides of the cabinet. Any material between the units will increase the horizontal reveal.



Side support

### ELECTRICAL REQUIREMENTS

Installation must comply with all applicable electrical codes.

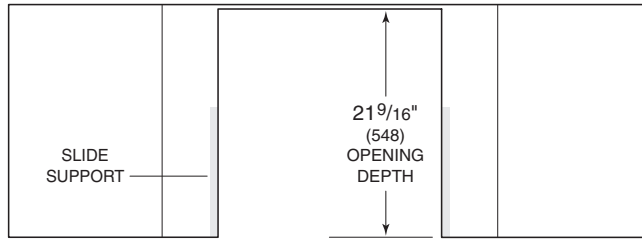
Locate the electrical supply as shown in the illustrations on the following pages. A separate circuit servicing only this appliance is required. A ground fault circuit interrupter (GFCI) is not recommended and may cause interruption of operation.

### ELECTRICAL REQUIREMENTS

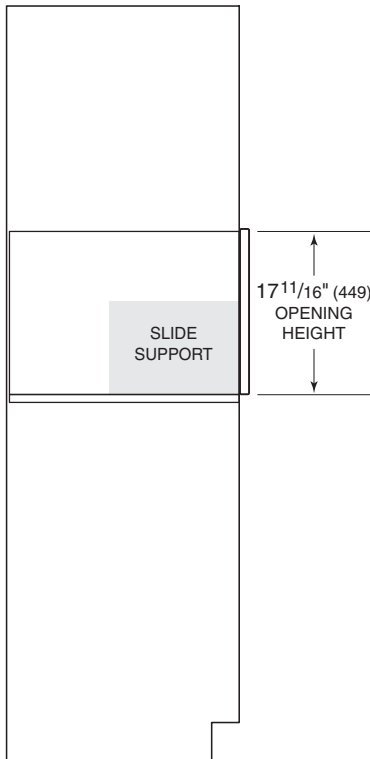
Electrical Supply	grounded, 120 VAC, 60 Hz
Service	15 amp dedicated circuit
Receptacle	3-prong grounding-type
Power Cord	6' (1.8 m)

Coffee System

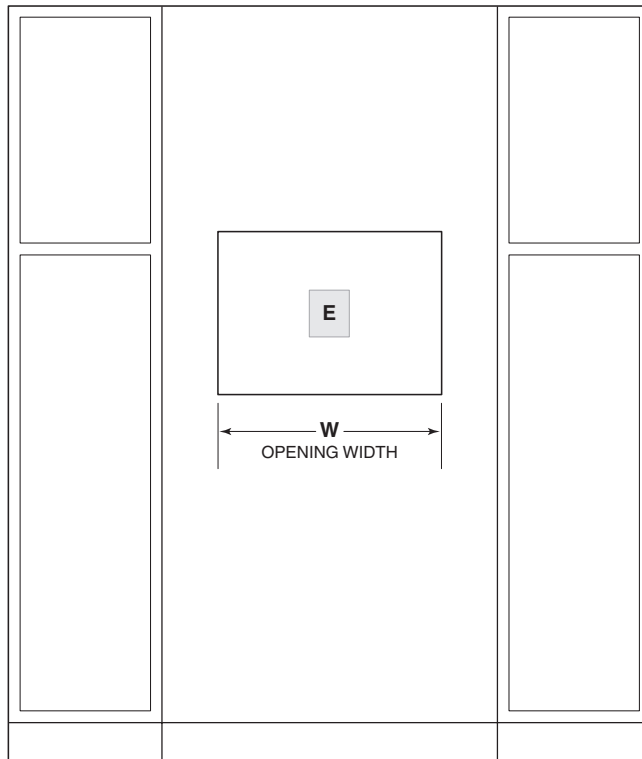
STANDARD INSTALLATION



TOP VIEW



SIDE VIEW



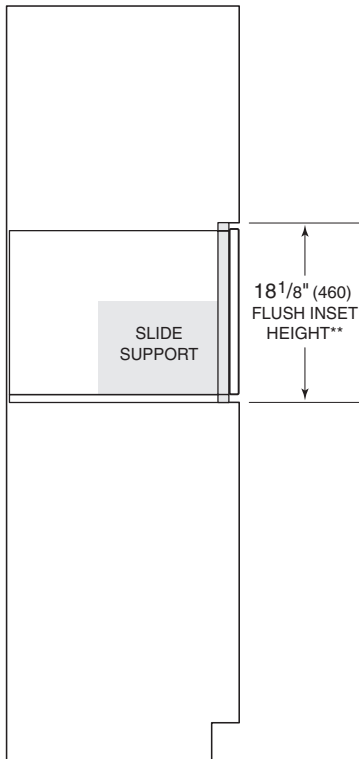
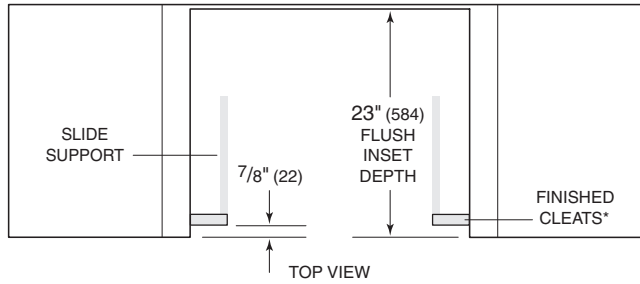
FRONT VIEW

NOTE: 24" (610) model and model with 30" (762) trim require the same opening dimensions.

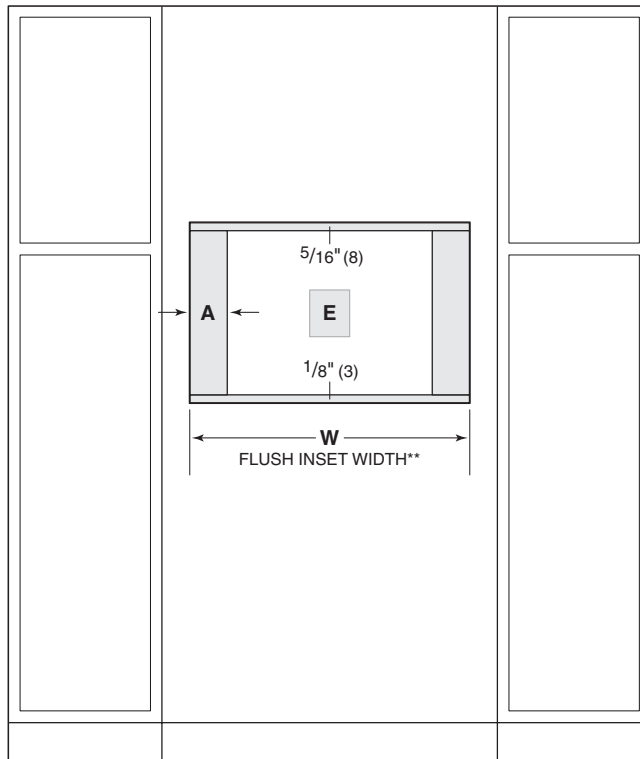
OPENING WIDTH	W
24" Model	$22\frac{1}{8}''$ (562)
30" Trim	$22\frac{1}{8}''$ (562)

Coffee System

FLUSH INSET INSTALLATION



SIDE VIEW



FRONT VIEW

*\*Will be visible and should be finished to match cabinetry.  
 \*\*Dimension provides minimum reveals.*

FLUSH INSET WIDTH	W	A
24" Model	23 <sup>3</sup> / <sub>4</sub> " (603)	1 <sup>3</sup> / <sub>16</sub> " (21)
30" Trim	30 <sup>1</sup> / <sub>8</sub> " (765)	4" (102)



---

## CUP WARMING DRAWERS

## CUP WARMING DRAWERS

### Cup Warming Drawers

Wolf cup warming drawers preheat cups so hot beverages stay hot longer. The temperature is adjustable. Two model options match the look of Wolf stainless and black coffee systems. The cup warming drawer can be installed in a standard or flush inset application.

### CUP WARMING DRAWERS



CW24/S  
Stainless

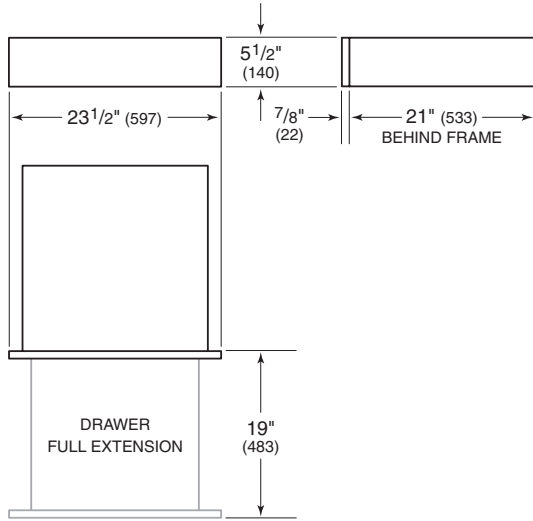


CW24/B  
Black

# CUP WARMING DRAWERS

## Cup Warming Drawer

### DIMENSIONS



## CUP WARMING DRAWERS

### Planning Information

The cup warming drawer can be installed in a standard or flush inset application. Finish the edges of the opening. They may be visible when the drawer is open.

For standard installations, the face trim will overlap stiles and rails. Refer to the chart below.

For flush inset installations, a minimum  $\frac{1}{8}$ " (3) reveal is required on all sides. To ensure consistent reveals, each corner of the opening must be exactly 90°.

#### INSTALLATION REQUIREMENTS

<b>BASE SUPPORT</b>	<b>MIN</b>
Cup Warming Drawer	75 lb (34 kg)
<b>TRIM OVERLAP</b>	
Top	0" (0)
Bottom	0" (0)
Sides	$\frac{11}{16}$ " (18)

#### COMBINATION INSTALLATION

To install a cup warming drawer below a coffee system, one opening for both units must be specified. To achieve the minimum reveal between the units, place the coffee system support rails on top of the cup warming drawer, then secure the rails to the sides of the cabinet. Any material between the units will increase the horizontal reveal.

### ELECTRICAL REQUIREMENTS

Installation must comply with all applicable electrical codes.

Locate the electrical supply as shown in the illustrations on the following pages. A separate circuit servicing only this appliance is required. A ground fault circuit interrupter (GFCI) is not recommended and may cause interruption of operation.

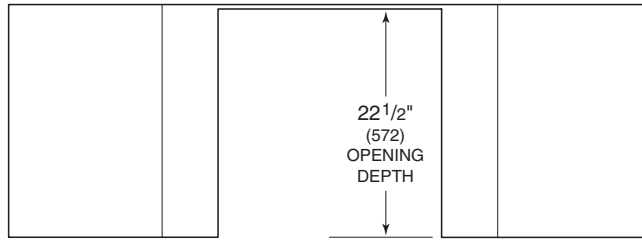
#### ELECTRICAL REQUIREMENTS

Electrical Supply	grounded, 120 VAC, 60 Hz
Service	10 amp dedicated circuit
Receptacle	3-prong grounding-type
Power Cord	3' (.9 m)

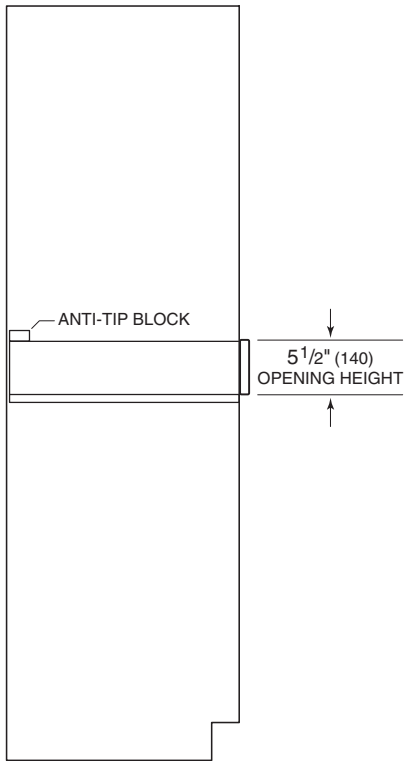
# CUP WARMING DRAWERS

## Cup Warming Drawer

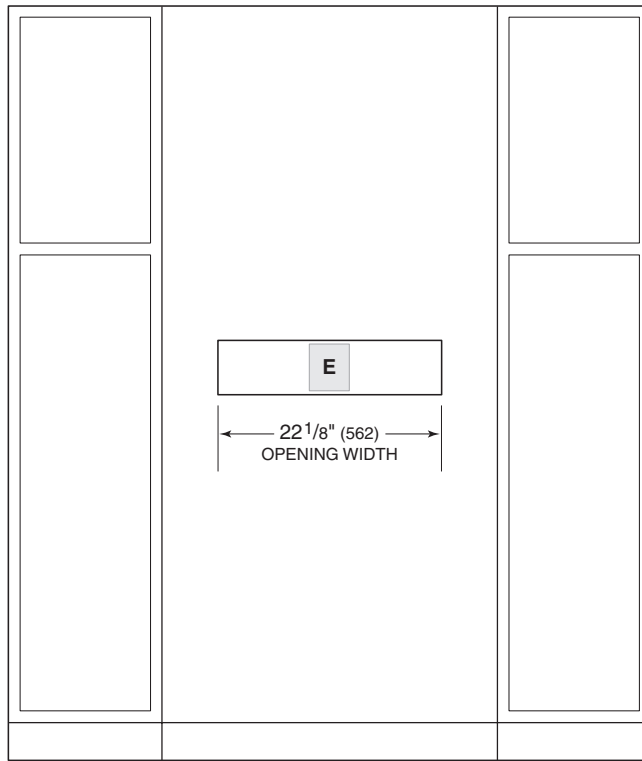
### STANDARD INSTALLATION



TOP VIEW



SIDE VIEW



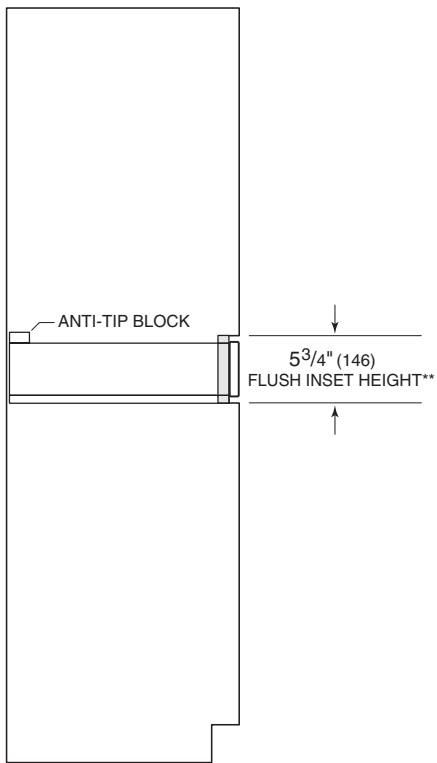
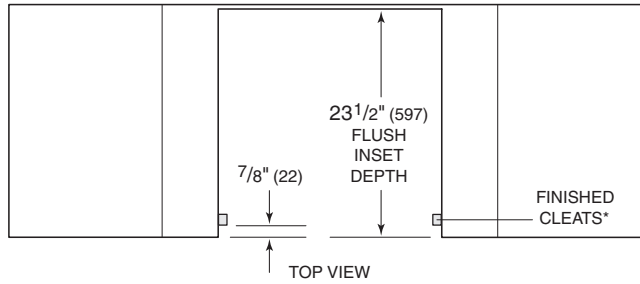
FRONT VIEW



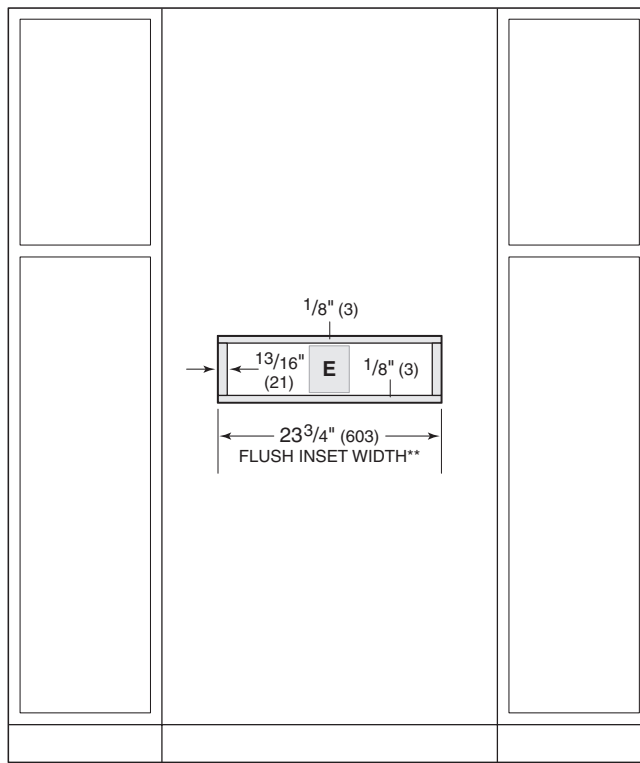
# CUP WARMING DRAWERS

## Cup Warming Drawer

### FLUSH INSET INSTALLATION



SIDE VIEW



FRONT VIEW

\*Will be visible and should be finished to match cabinetry.  
\*\*Dimension provides minimum reveals.



---

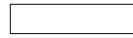
## VACUUM SEAL DRAWER

## VACUUM SEAL DRAWER

### Vacuum Seal Drawer

The vacuum seal drawer can be installed in a standard or flush inset application. Stainless steel, black glass, and integrated drawer fronts are available in 24" and 30" widths. The integrated drawer front allows for a custom panel.

#### DRAWER FRONTS



STAINLESS STEEL



BLACK GLASS

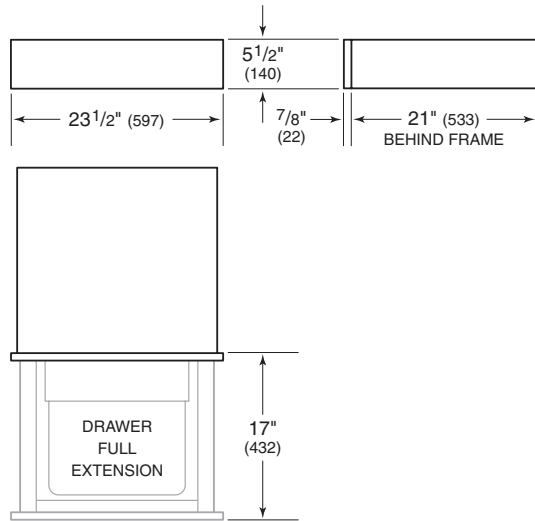


INTEGRATED

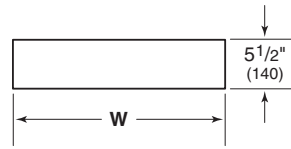
# VACUUM SEAL DRAWER

## Dimensions

### VACUUM SEAL DRAWER



### DRAWER FRONT



### DRAWER FRONT

**W**

24" Drawer Front	$23\frac{1}{2}"$ (597)
30" Drawer Front	$29\frac{7}{8}"$ (759)

## Planning Information

The vacuum seal drawer can be installed in a standard or flush inset application. Finish the edges of the opening. They may be visible when the drawer is open.

For standard installations, face trim will overlap stiles and rails. Refer to the chart below.

For flush inset installations, a minimum 1/8" (3) reveal is required on all sides. To ensure consistent reveals, each corner of the opening must be exactly 90°.

### INSTALLATION REQUIREMENTS

BASE SUPPORT		MIN
Vacuum Seal Drawer		75 lb (34 kg)
TRIM OVERLAP		
Top		0" (0)
Bottom		0" (0)
Sides		1 <sup>1</sup> / <sub>16</sub> " (18)

### ELECTRICAL REQUIREMENTS

Installation must comply with all applicable electrical codes.

Locate the electrical supply as shown in the illustrations on the following pages. A separate circuit, servicing only this appliance is required. A ground fault circuit interrupter (GFCI) is not recommended and may cause interruption of operation.

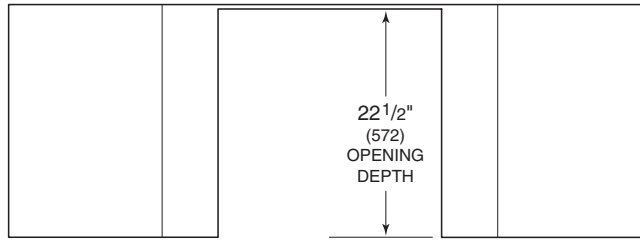
### ELECTRICAL REQUIREMENTS

Electrical Supply	grounded, 120 VAC, 60 Hz
Service	10 amp dedicated circuit
Receptacle	3-prong grounding-type
Power Cord	3' (.9 m)

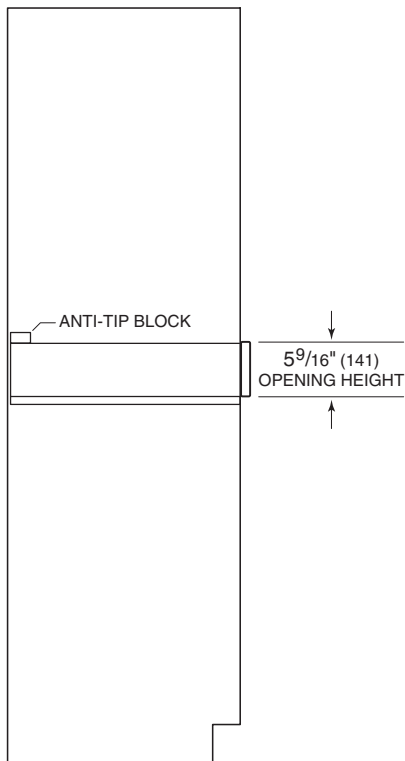
# VACUUM SEAL DRAWER

## Vacuum Seal Drawer

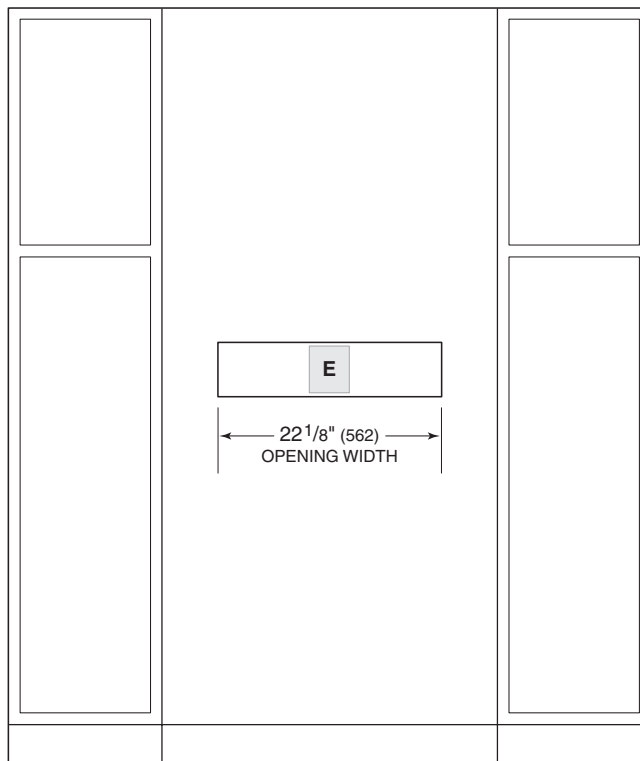
### STANDARD INSTALLATION



TOP VIEW



SIDE VIEW

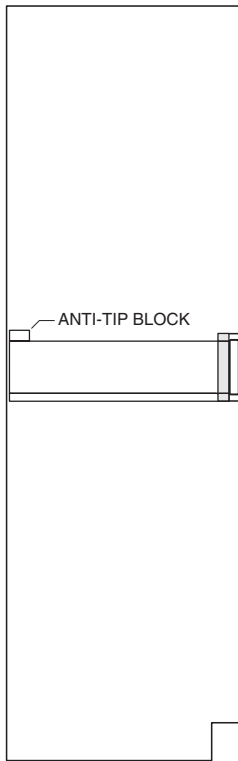
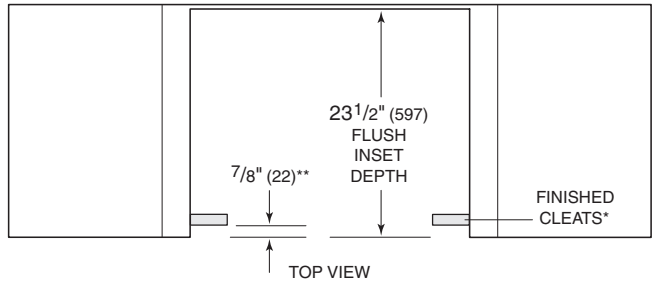


FRONT VIEW

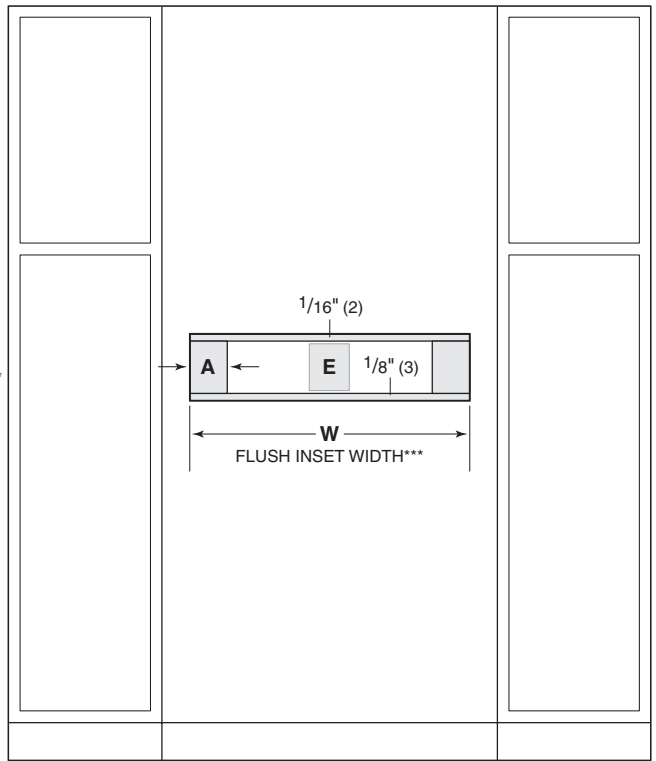
VACUUM SEAL DRAWER

Vacuum Seal Drawer

FLUSH INSET INSTALLATION



SIDE VIEW



FRONT VIEW

\*Will be visible and should be finished to match cabinetry.  
 \*\*Cleft depth assumes a stainless steel, black glass, or 3/4" (19) custom panel.  
 \*\*\*Dimension provides minimum reveals.

FLUSH INSET WIDTH	W	A
24" Opening	23 3/4" (603)	13/16" (21)
30" Opening	30 1/8" (765)	4" (102)



---

## DUAL FUEL RANGES

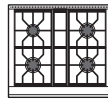


## Dual Fuel Ranges

Discover a new world of cooking—the best of two worlds, actually—with a Wolf dual fuel range. Topside, gas cooking in all its glory, with the fine control of dual-stacked, sealed burners and options that include the remarkable French top. Below, that marvel of culinary technology, the Wolf convection electric oven. Its two fans and four heating elements let you select from 10 cooking modes so you can choose the one precisely suited to the dish you’re preparing. The ovens are self-cleaning. With a variety of range widths to choose from, kitchens large and small become gateways to the exciting new world of dual fuel cooking. All models are constructed of stainless steel and can be ordered in natural or LP gas.

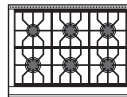
### CONFIGURATIONS

#### 30" RANGE

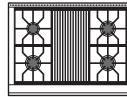


DF304

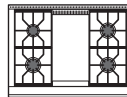
#### 36" RANGE



DF366

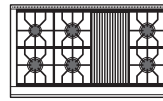


DF364C

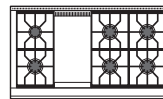


DF364G

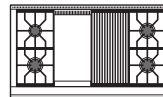
#### 48" RANGE



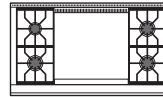
DF486C



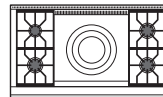
DF486G



DF484CG

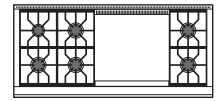


DF484DG

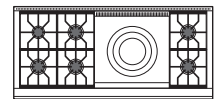


DF484F

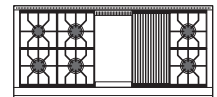
#### 60" RANGE



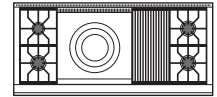
DF606DG



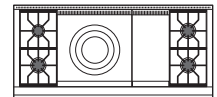
DF606F



DF606CG



DF604CF

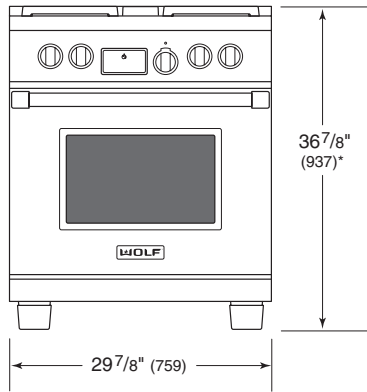


DF604GF

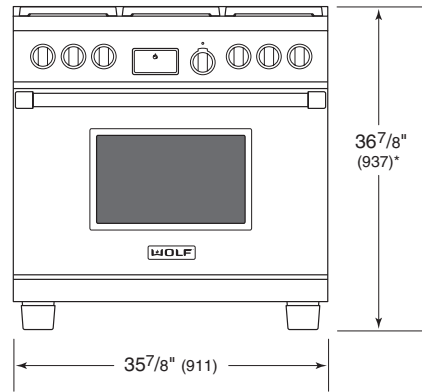
**DUAL FUEL RANGES**

**Dual Fuel Ranges**

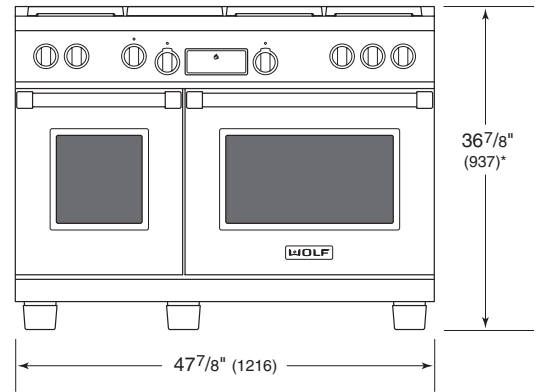
**30" RANGE**



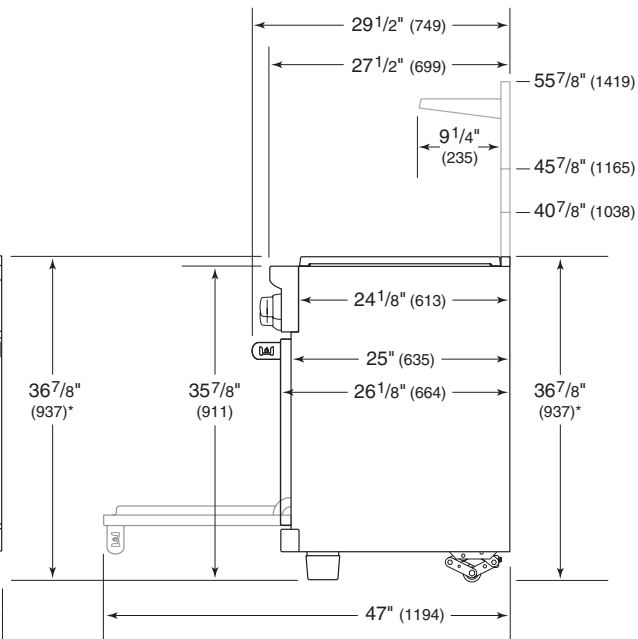
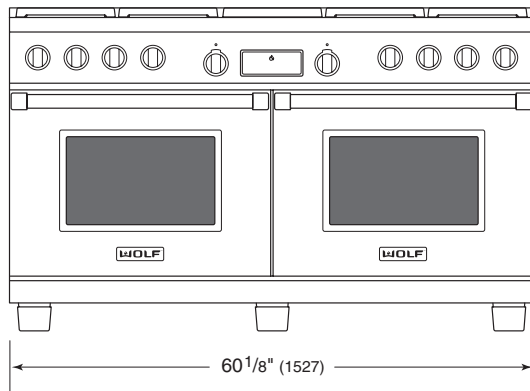
**36" RANGE**



**48" RANGE**



**60" RANGE**



\* $36\frac{7}{8}"$  (937) MIN TO  $39"$  (991) MAX.

**SIDE VIEW—ALL RANGES**

### Planning Information

When installing against a combustible surface, a minimum 10" (254) riser is required for a 36" dual fuel range with charbroiler or griddle and all 48" and 60" models. Follow all minimum clearances to combustible surfaces shown in the illustration on the following page.

A Wolf pro ventilation hood is recommended with the dual fuel range. Refer to page 166 for Pro Ventilation.

### ELECTRICAL REQUIREMENTS

Installation must comply with all applicable electrical codes.

Locate the electrical supply flush with the wall or floor and within the shaded area shown in the illustration on the following page. A separate circuit servicing only this appliance is required.

If a power supply cord is being used with models that require a 50 amp breaker, the cord must be designated for use with ranges and rated for 240/208, 50 amps and must include 3 or 4 conductors. A 4-conductor cord is required for installations where grounding through the neutral is prohibited.

Wolf dual fuel ranges have a terminal block that allows for a 3-wire or 4-wire installation.

### ELECTRICAL REQUIREMENTS

#### SINGLE OVEN RANGE

Electrical Supply	grounded, 240/208 VAC, 60 Hz
Service	30 amp dedicated circuit
Total Amps	21

#### DOUBLE OVEN RANGE

Electrical Supply	grounded, 240/208 VAC, 60 Hz
Service	50 amp dedicated circuit
Total Amps	42.5

## Planning Information

### GAS SUPPLY

Installation must comply with all applicable gas codes.

If local codes permit, a certified, 3' (.9 m) long, 1/2" (13) or 3/4" (19) ID flexible metal appliance connector is recommended.

Wolf natural gas ranges will function up to 10,250' (3124 m) in altitude without adjustment and LP gas ranges will function up to 8,600' (2621 m). If the installation exceeds these elevations, contact an authorized Wolf dealer for a high altitude conversion kit.

### GAS REQUIREMENTS

---

Gas Supply	3/4" ID line
Gas Inlet	1/2" NPT female

---

<b>NATURAL GAS</b>	<b>WC</b>
Supply Pressure	5" (12.5 mb)
Min Line Pressure	7" (17.5 mb)
Max Regulator Pressure	14" (34.9 mb), .5 psi (3.5 kPa)

---

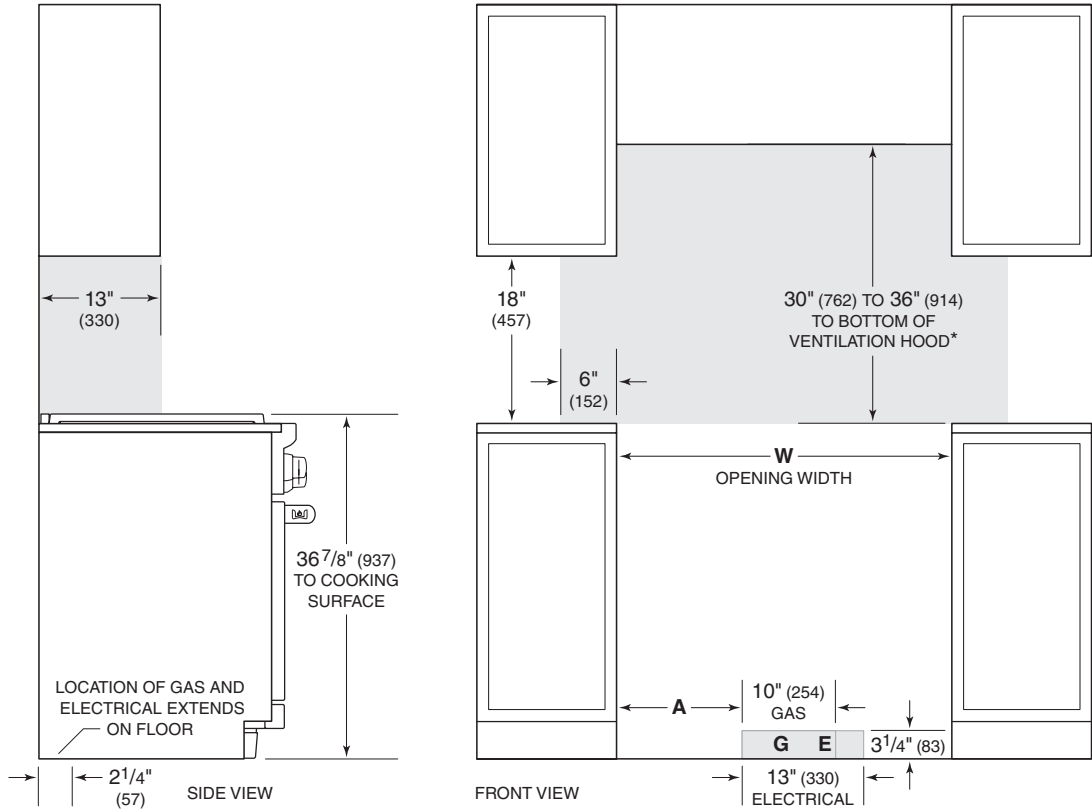
<b>LP GAS</b>	<b>WC</b>
Supply Pressure	10" (25 mb)
Min Line Pressure	11" (27.4 mb)
Max Regulator Pressure	14" (34.9 mb), .5 psi (3.5 kPa)

---

# DUAL FUEL RANGES

## Dual Fuel Range

### INSTALLATION



\*Without ventilation hood, 36" (914) minimum clearance countertop to combustible materials, 44" (1118) for charbroiler.

NOTE: Shaded area above countertop indicates minimum clearance to combustible surfaces, combustible materials cannot be located within this area.

For island installation, 12" (305) minimum clearance back of range to combustible rear wall above countertop.

OPENING WIDTH	W	A
30" Range	30" (762)	8 1/2" (216)
36" Range	36" (914)	13 1/2" (343)
48" Range	48" (1219)	24" (610)
60" Range	60 1/4" (1530)	31" (787)



---

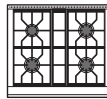
## GAS RANGES

**Gas Ranges**

Wolf gas ranges offer the same function, durability and exhilarating performance our ranges have become famous for. Now add the fine control of dual-stacked, sealed burners for gas cooking with superior results. Choose from a multitude of sizes and features to fit your cooking style. Standard features include an infrared broiler and convection baking. Options include infrared griddle, charbroiler, and the innovative French top. All gas range models are constructed of stainless steel and can be ordered in natural or LP gas.

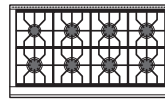
**CONFIGURATIONS**

**30" RANGE**



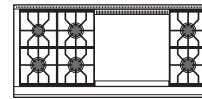
GR304

**48" RANGE**

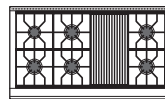


GR488

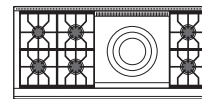
**60" RANGE**



GR606DG

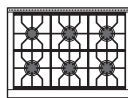


GR486C

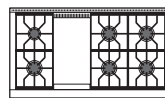


GR606F

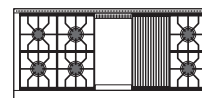
**36" RANGE**



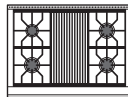
GR366



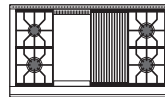
GR486G



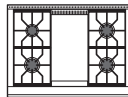
GR606CG



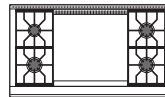
GR364C



GR484CG



GR364G

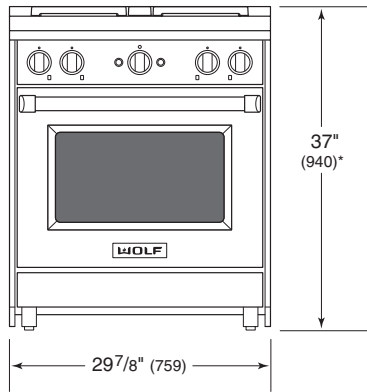


GR484DG

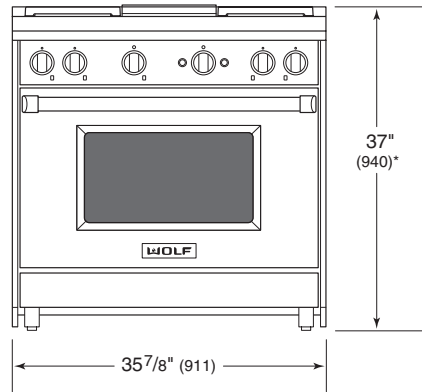
**GAS RANGES**

**Gas Ranges**

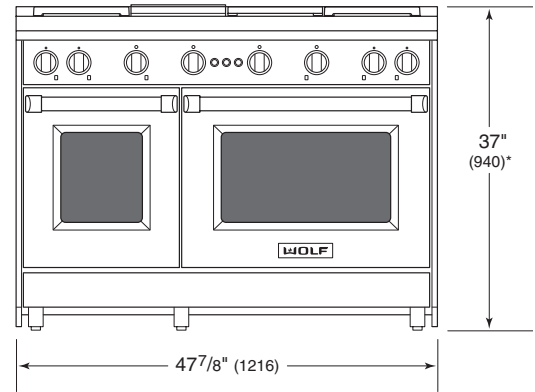
**30" RANGE**



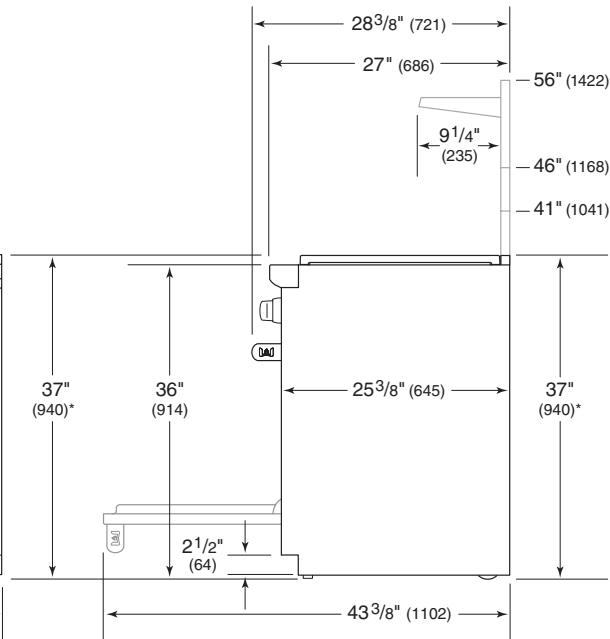
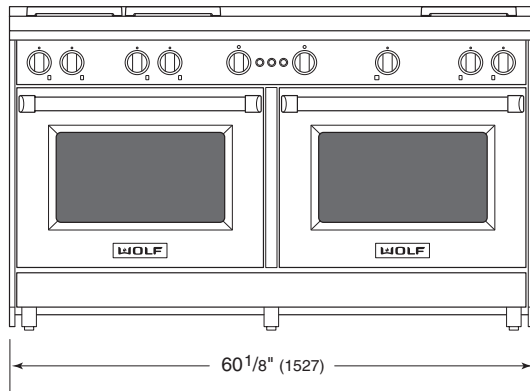
**36" RANGE**



**48" RANGE**



**60" RANGE**



\*37" (940) MIN TO 38" (965) MAX.

**SIDE VIEW—ALL RANGES**



**Planning Information**

When installing against a combustible surface, a minimum 20" (508) riser is required. Follow all minimum clearances to combustible surfaces shown in the illustration on the following page.

A Wolf pro ventilation hood is recommended with the gas range. Refer to page 166 for Pro Ventilation.

**ELECTRICAL REQUIREMENTS**

Installation must comply with all applicable electrical codes.

Locate the electrical supply flush with the wall or floor and within the shaded area shown in the illustration on the following page. A separate circuit servicing only this appliance is required.

**ELECTRICAL REQUIREMENTS**

Electrical Supply	grounded, 110/120 VAC, 60 Hz
Service	15 amp dedicated circuit
Receptacle	3-prong grounding-type
Power Cord	6' (1.8 m)

## Planning Information

### GAS SUPPLY

Installation must comply with all applicable gas codes.

If local codes permit, a certified, 3' (.9 m) long, 1/2" (13) or 3/4" (19) ID flexible metal appliance connector is recommended.

Wolf natural gas ranges will function up to 8,600' (2621 m) in altitude without adjustment. If the installation exceeds this elevation, contact an authorized Wolf dealer for a high altitude conversion kit. LP models do not require conversion.

### GAS REQUIREMENTS

---

Gas Supply	3/4" ID line
Gas Inlet	1/2" NPT female

---

<b>NATURAL GAS</b>	<b>WC</b>
Supply Pressure	5" (12.5 mb)
Min Line Pressure	7" (17.5 mb)
Max Regulator Pressure	14" (34.9 mb), .5 psi (3.5 kPa)

---

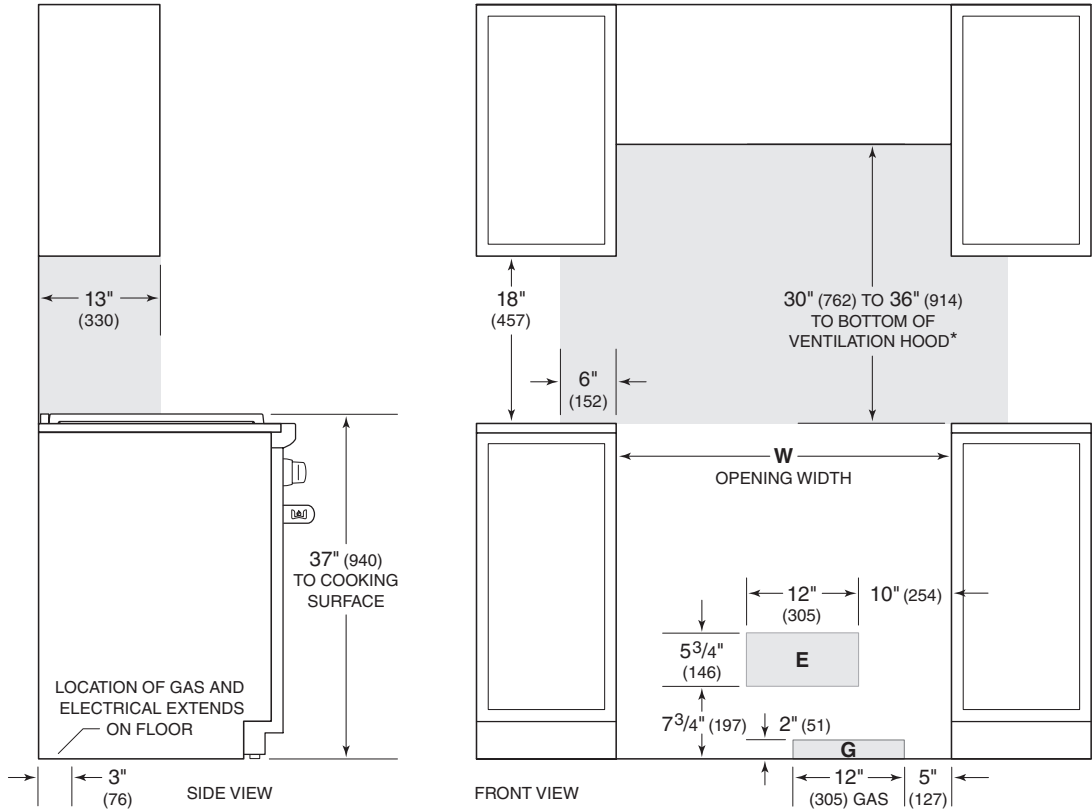
<b>LP GAS</b>	<b>WC</b>
Supply Pressure	10" (25 mb)
Min Line Pressure	11" (27.4 mb)
Max Regulator Pressure	14" (34.9 mb), .5 psi (3.5 kPa)

---

# GAS RANGES

## Gas Range

### INSTALLATION



\*Without ventilation hood, 42" (1067) minimum clearance countertop to combustible materials, charbroiler and GR488 require non-combustible materials.

NOTE: Shaded area above countertop indicates minimum clearance to combustible surfaces, combustible materials cannot be located within this area.

For island installation, 12" (305) minimum clearance back of range to combustible rear wall above countertop.

OPENING WIDTH	W
30" Range	30" (762)
36" Range	36" (914)
48" Range	48" (1219)
60" Range	60 1/4" (1530)



---

## INDUCTION RANGES

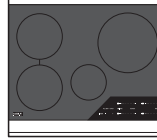
## INDUCTION RANGES

### Induction Ranges

Experience a new way of cooking with a Wolf induction range. Magnetism allows the ultrafast, energy efficient surface elements to heat up instantly and with perfectly distributed heat. Heat generation stops the instant you turn off the element or remove the pan. The cooktop's surface remains cool. Your kitchen stays cooler too. The electric convection oven with two fans and four heating elements let you select from 10 cooking modes and is self-cleaning. Wolf induction ranges are constructed of stainless steel and come in 30" and 36" widths. Transitional models have a tubular handle and professional models feature a pro handle.

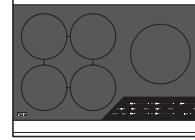
### CONFIGURATIONS

#### 30" RANGE



IR304

#### 36" RANGE

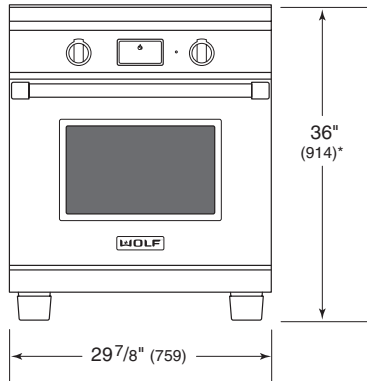


IR365

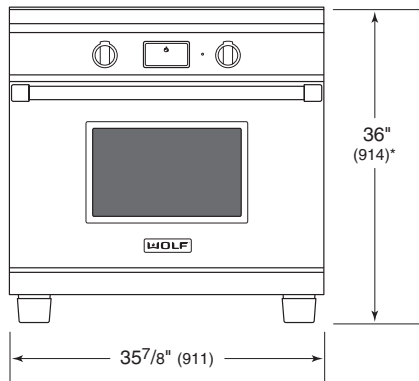
## INDUCTION RANGES

### Induction Ranges

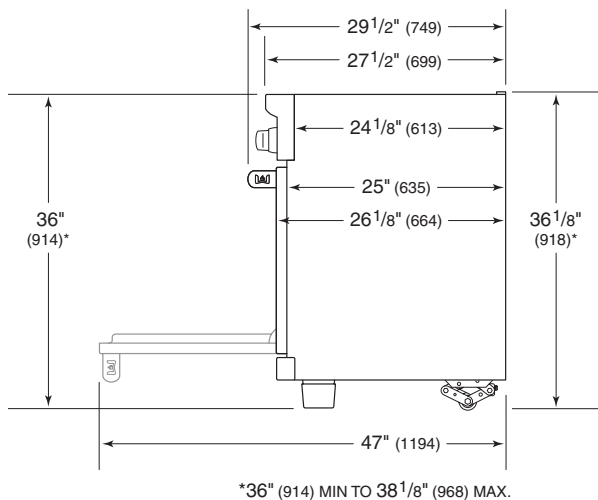
#### 30" RANGE



#### 36" RANGE



### SIDE VIEW – ALL RANGETOPS



### Planning Information

Follow all minimum clearances to combustible surfaces shown in the illustration on the following page.

**IMPORTANT NOTE:** Adjacent countertops must be at least 35 7/8" for flush installation to the top of the unit.

### ELECTRICAL REQUIREMENTS

Installation must comply with all applicable electrical codes.

Locate the electrical supply flush with the wall or floor and within the shaded area shown in the illustration on the following page. A separate circuit servicing only this appliance is required.

If a power supply cord is being used with models that require a 50 amp breaker, the cord must be designated for use with ranges and rated for 240/208, 50 amps and must include 3 or 4 conductors. A 4-conductor cord is required for installations where grounding through the neutral is prohibited.

Performance may be compromised if the electrical supply is less than 240 volts.

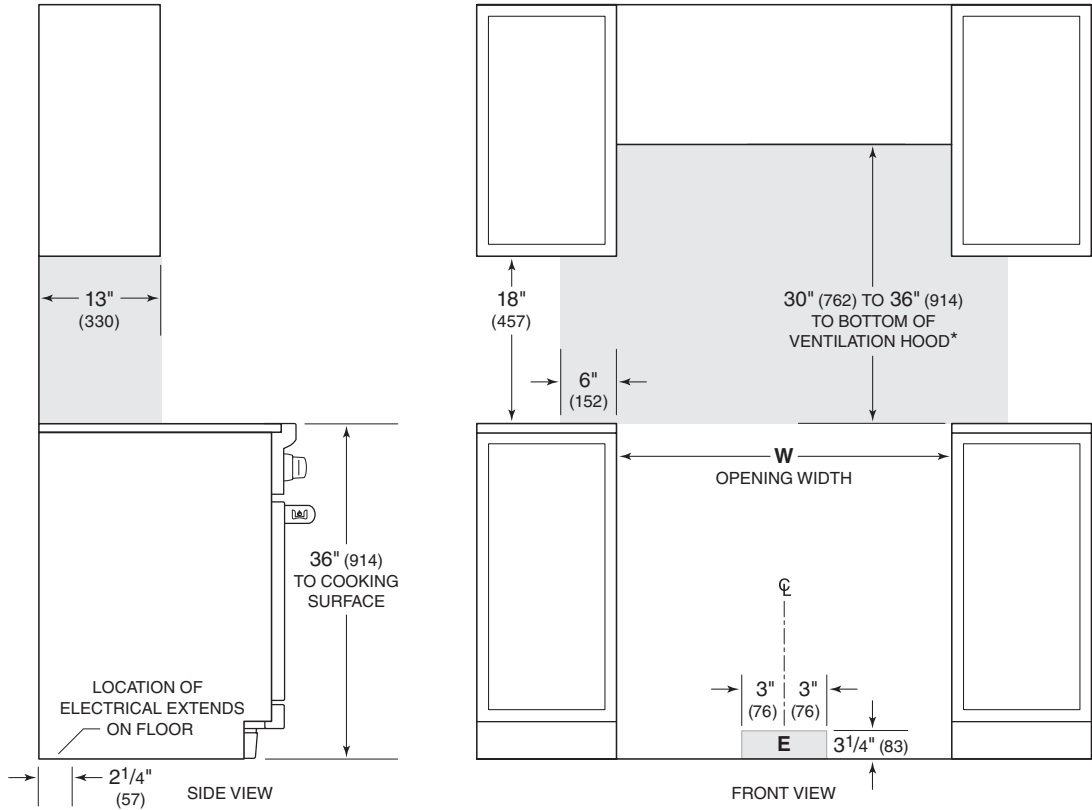
### ELECTRICAL REQUIREMENTS

Electrical Supply	grounded, 240/208 VAC, 60 Hz
Service	50 amp dedicated circuit

# INDUCTION RANGES

## Induction Range

### INSTALLATION



\*Without ventilation hood, 36" (914) minimum clearance countertop to combustible materials.

NOTE: Shaded area above countertop indicates minimum clearance to combustible surfaces, combustible materials cannot be located within this area.

For island installation, 12" (305) minimum clearance back of range to combustible rear wall above countertop.

OPENING WIDTH	W
30" Range	30" (762)
36" Range	36" (914)



---

## SEALED BURNER RANGETOPS

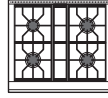


## Sealed Burner Rangetops

Wolf sealed burner rangetops incorporate all the gas cooking features of a Wolf dual fuel range. Customize your rangetop with your preferred combination of burners, infrared griddle, charbroiler, French top, or wok burner. All sealed burner rangetop models are constructed of stainless steel and can be ordered in natural or LP gas.

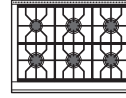
### CONFIGURATIONS

#### 30" RANGETOP

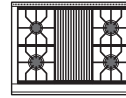


SRT304

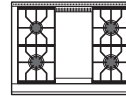
#### 36" RANGETOP



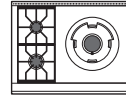
SRT366



SRT364C

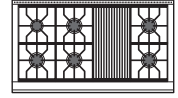


SRT364G

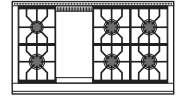


SRT362W

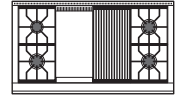
#### 48" RANGETOP



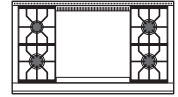
SRT486C



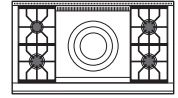
SRT486G



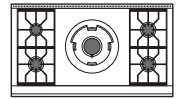
SRT484CG



SRT484DG



SRT484F

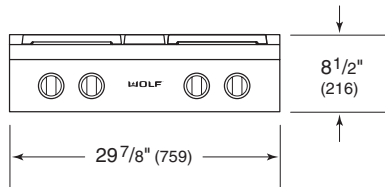


SRT484W

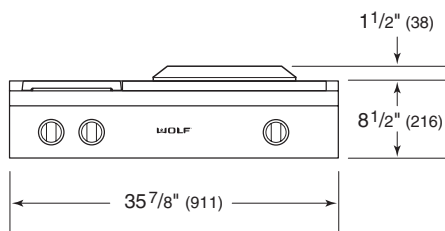
# SEALED BURNER RANGETOPS

## Sealed Burner Rangetops

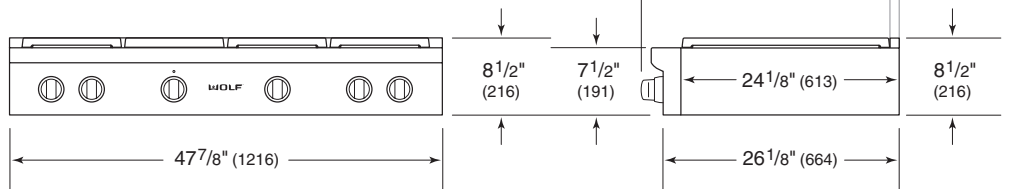
### 30" RANGETOP



### 36" RANGETOP (WOK MODEL SHOWN)



### 48" RANGETOP



SIDE VIEW – ALL RANGETOPS

### Planning Information

The platform to support the sealed burner rangetop must include a cutout for electrical and gas supply connections. Refer to the chart below for minimum base support.

When installing against a combustible surface, a minimum 5" (127) riser is required for model SRT366, and a minimum 10" (254) riser is required for 36" and 48" sealed burner rangetops with a charbroiler or griddle. Follow all minimum clearances to combustible surfaces shown in the illustration on the following page. Models SRT362W and SRT484W cannot be installed against a combustible surface.

A Wolf pro ventilation hood is recommended with the sealed burner rangetop. Refer to page 166 for Pro Ventilation.

A downdraft can be used with models SRT304 and SRT366. An accessory trim kit is necessary for this installation. Contact an authorized Wolf dealer for details.

### INSTALLATION REQUIREMENTS

<b>BASE SUPPORT</b>	<b>MIN</b>
30" Rangetop	200 lb (91 kg)
36" Rangetop	250 lb (113 kg)
48" Rangetop	300 lb (136 kg)

---

<b>PLATFORM</b>	<b>MIN</b>
Thickness	3/4" (19)

### ELECTRICAL REQUIREMENTS

Installation must comply with all applicable electrical codes.

Locate the electrical supply within the shaded area shown in the illustration on the following page. A separate circuit servicing only this appliance is required.

### ELECTRICAL REQUIREMENTS

Electrical Supply	grounded, 110/120 VAC, 60 Hz
Service	15 amp dedicated circuit
Receptacle	3-prong grounding-type
Power Cord	6' (1.8 m)

## Planning Information

### GAS SUPPLY

Installation must comply with all applicable gas codes.

If local codes permit, a certified, 3' (.9 m) long, 1/2" (13) or 3/4" (19) ID flexible metal appliance connector is recommended.

Wolf natural gas rangetops will function up to 10,250' (3124 m) in altitude without adjustment and LP gas rangetops up to 8,600' (2621 m). If the installation exceeds these elevations, contact an authorized Wolf dealer for a high altitude conversion kit.

### GAS REQUIREMENTS

---

Gas Supply	3/4" ID line
Gas Inlet	1/2" NPT female

---

<b>NATURAL GAS</b>	<b>WC</b>
Supply Pressure	5" (12.5 mb)
Min Line Pressure	7" (17.5 mb)
Max Regulator Pressure	14" (34.9 mb), .5 psi (3.5 kPa)

---

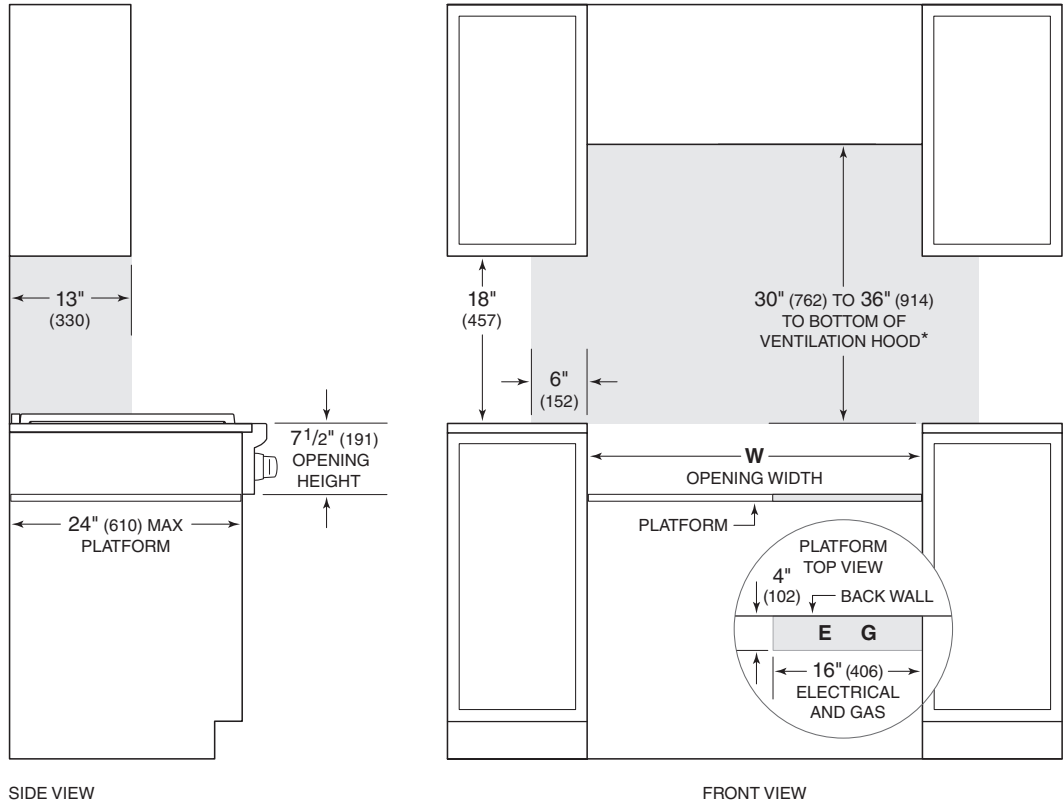
<b>LP GAS</b>	<b>WC</b>
Supply Pressure	10" (25 mb)
Min Line Pressure	11" (27.4 mb)
Max Regulator Pressure	14" (34.9 mb), .5 psi (3.5 kPa)

---

# SEALED BURNER RANGETOPS

## Sealed Burner Rangetop

### INSTALLATION



SIDE VIEW

FRONT VIEW

\*Without ventilation hood, 36" (914) minimum clearance countertop to combustible materials, 44" (1118) for charbroiler.

NOTE: Shaded area above countertop indicates minimum clearance to combustible surfaces, combustible materials cannot be located within this area.

Electrical and gas supply located through bottom of platform.

For island installation, 12" (305) minimum clearance back of rangetop to combustible rear wall above countertop.

OPENING WIDTH	W
30" Rangetop	30" (762)
36" Rangetop	36" (914)
48" Rangetop	48" (1219)



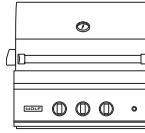
---

OUTDOOR GRILLS | MODULES | ACCESSORIES

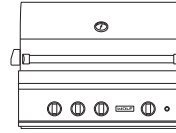
### Outdoor Grills and Modules

Taste what happens when the heritage of professional cooking moves from the kitchen to the patio. Like their indoor counterparts, Wolf outdoor grills are precision instruments. Constructed of heavy-duty stainless steel, the 30", 36", 42", and 54" grills have powerful burners every five inches for even heat distribution. An electric rotisserie with infrared burner produces succulent poultry and roasts. All grill models can be built in and all except the 54" grill, can be used on a cart for portable convenience. The 25,000 Btu burner module can be built into an outdoor kitchen and the side burner attached to a cart. Wolf grills and modules can be ordered in natural or LP gas.

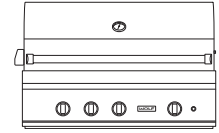
#### OUTDOOR GRILLS



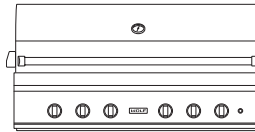
OG30



OG36



OG42



OG54

#### OUTDOOR MODULES



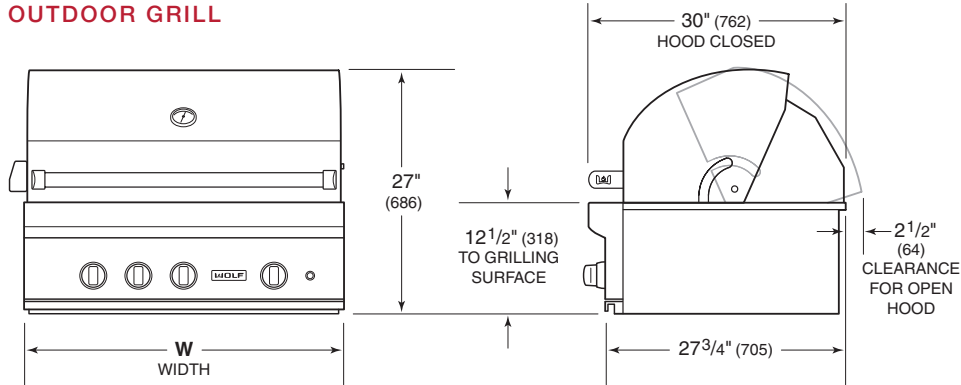
BM13  
BURNER MODULE



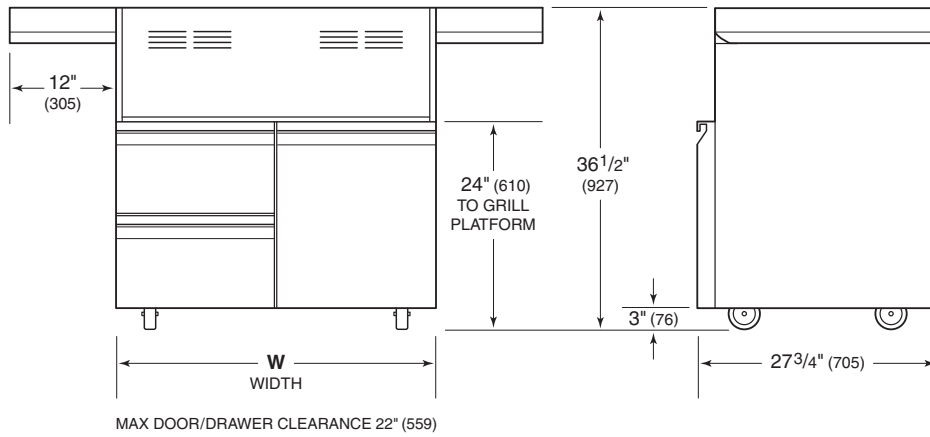
SB13  
SIDE BURNER

Outdoor Grills and Modules

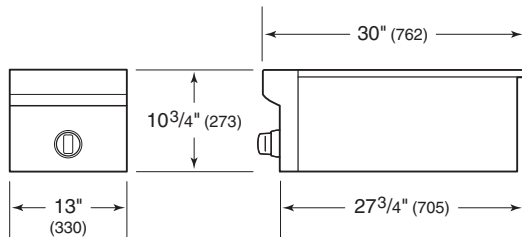
OUTDOOR GRILL



GRILL CART



BURNER MODULE / SIDE BURNER



OUTDOOR GRILL

	<b>W</b>
OG30	30" (762)
OG36	36" (914)
OG42	42" (1067)
OG54	54" (1372)

GRILL CART

	<b>W</b>
CART30	30" (762)
CART36	36" (914)
CART42	42" (1067)



### Planning Information

For portable applications, Wolf grill carts are designed specifically to fit grill models OG30, OG36, and OG42 and the side burner. Model OG54 is designed for built-in applications only.

For built-in applications, Wolf outdoor grills and the burner module are designed for easy placement into a built-in enclosure. For outdoor grills, installation in a combustible enclosure requires an insulating liner. For the burner module, an insulating liner is not required. The enclosure should be built according to specifications for your specific installation on the following pages. If the burner module is installed next to an outdoor grill, a minimum of 12" (305) is required between the units on the rotisserie motor side and 2" (51) on the opposite side. A rotisserie side conversion kit is available from an authorized Wolf dealer.

Model BM13 does not include a tank retention system and cannot be connected to a portable LP tank.

Optional stainless steel accessory doors and drawers are available for built-in applications. Refer to pages 141–145.

Grill carts, insulating liners, and stainless steel doors and drawers are available through an authorized Wolf dealer. For local dealer information, visit the find a showroom section of our website, [wolfappliance.com](http://wolfappliance.com).

### ELECTRICAL REQUIREMENTS

Installation must comply with all applicable electrical codes.

The electrical outlet must be located within reach of the power cord. A separate circuit servicing only this appliance is required. A ground fault circuit interrupter (GFCI) is required to reduce the risk of electrical shock.

### ELECTRICAL REQUIREMENTS

Electrical Supply	grounded, 120 VAC, 60 Hz
Service	15 amp dedicated circuit
Receptacle	3-prong grounding-type, GFCI
Power Cord	6' (1.8 m)

## Planning Information

### GAS SUPPLY

Installation must comply with all applicable gas codes.

If local codes permit, a certified, 3' (.9 m) long, 1/2" (13) or 3/4" (19) ID flexible metal appliance connector is recommended.

If the outdoor grill is being connected to a whole house LP supply, the LP gas pressure regulator is not provided. It can be purchased from an authorized Wolf dealer. For local dealer information, visit the find a showroom section of our website, [wolfappliance.com](http://wolfappliance.com).

### GAS REQUIREMENTS

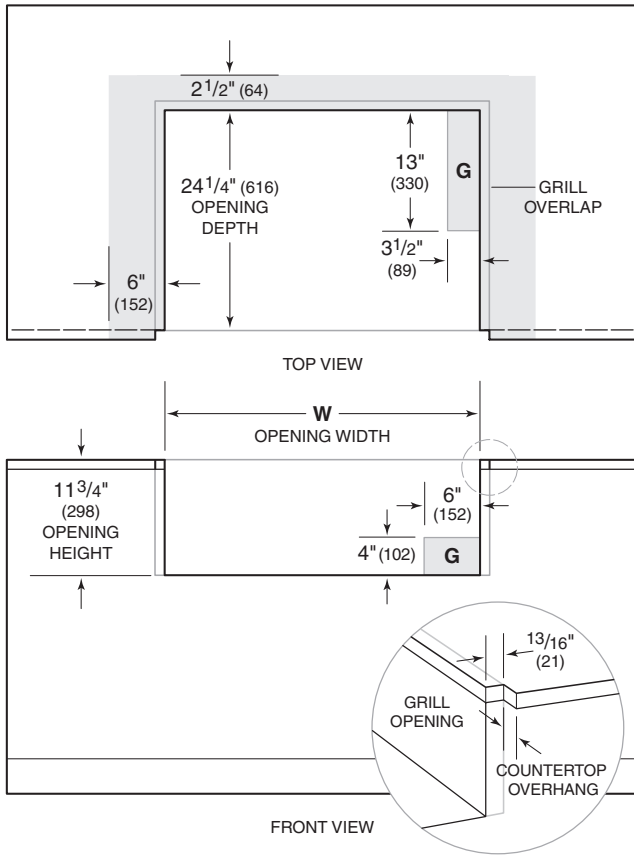
Gas Supply	3/4" ID line
Gas Inlet	1/2" NPT female

<b>NATURAL GAS</b>		<b>WC</b>
Supply Pressure		5" (12.5 mb)
Min Line Pressure		7" (17.5 mb)
Max Regulator Pressure	14" (34.9 mb), .5 psi (3.5 kPa)	

<b>LP GAS</b>		<b>WC</b>
Supply Pressure		10" (25 mb)
Min Line Pressure		11" (27.4 mb)
Max Regulator Pressure	14" (34.9 mb), .5 psi (3.5 kPa)	

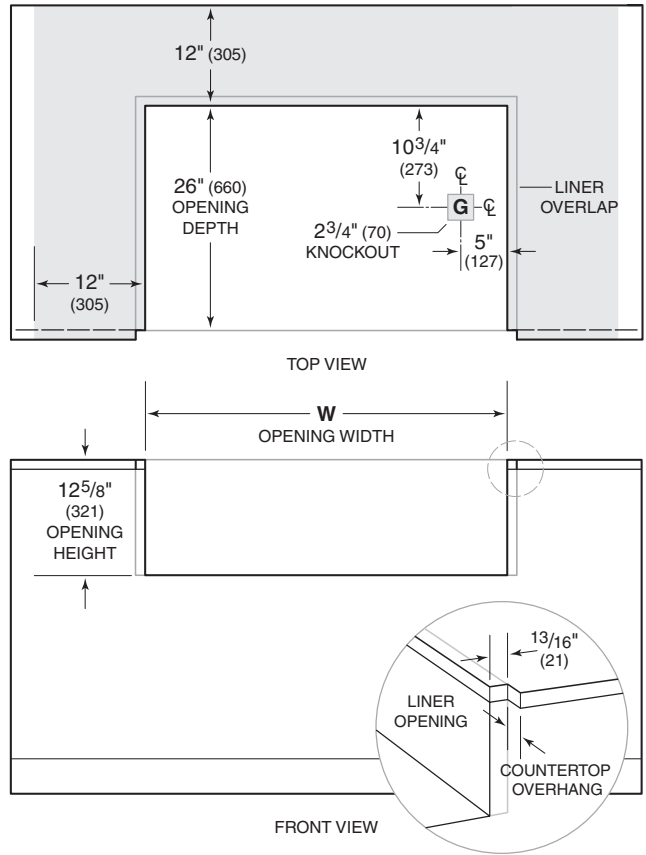
Outdoor Grill

NON-COMBUSTIBLE INSTALLATION



NOTE: Shaded area above countertop indicates minimum clearance to combustible surfaces, combustible materials cannot be located within this area.

COMBUSTIBLE INSTALLATION



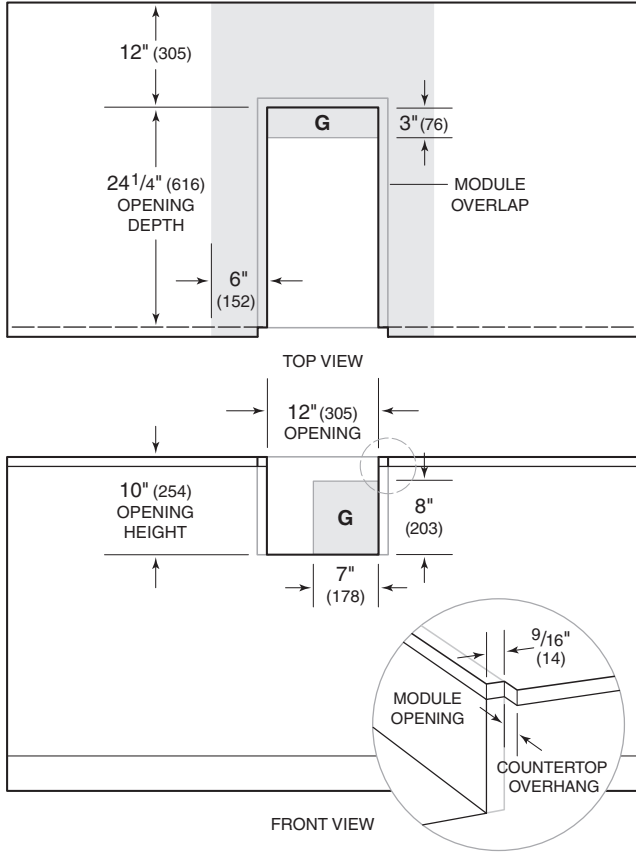
NOTE: Shaded area above countertop indicates minimum clearance to combustible surfaces, combustible materials cannot be located within this area.

NON-COMBUSTIBLE ENCLOSURE	W
OG30	28 1/2" (724)
OG36	34 1/2" (876)
OG42	40 1/2" (1029)
OG54	52 1/2" (1334)

COMBUSTIBLE ENCLOSURE	W
OG30	33 1/2" (851)
OG36	39 1/2" (1003)
OG42	45 1/2" (1156)
OG54	57 1/2" (1461)

## Burner Module

### INSTALLATION

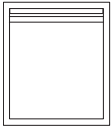


*NOTE: Shaded area above countertop indicates minimum clearance to combustible surfaces, combustible materials cannot be located within this area. An insulating liner is not required.*

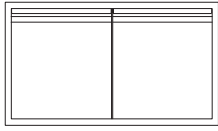
## OUTDOOR ACCESSORIES

### Outdoor Accessories

#### ACCESS DOORS

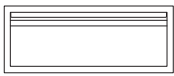


SINGLE

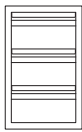


DOUBLE

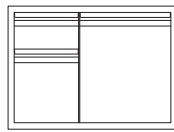
#### ACCESSORY DRAWERS AND DOORS



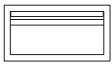
SINGLE DRAWER



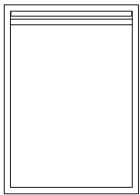
2- OR 3-DRAWER



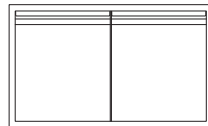
DOOR/DRAWER



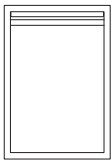
PAPER TOWEL DRAWER



TALL DRY STORAGE



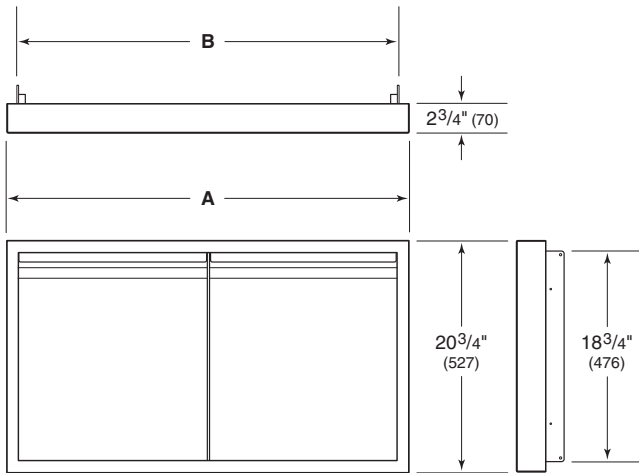
SHORT DRY STORAGE



TRASH/RECYCLING  
DRAWER

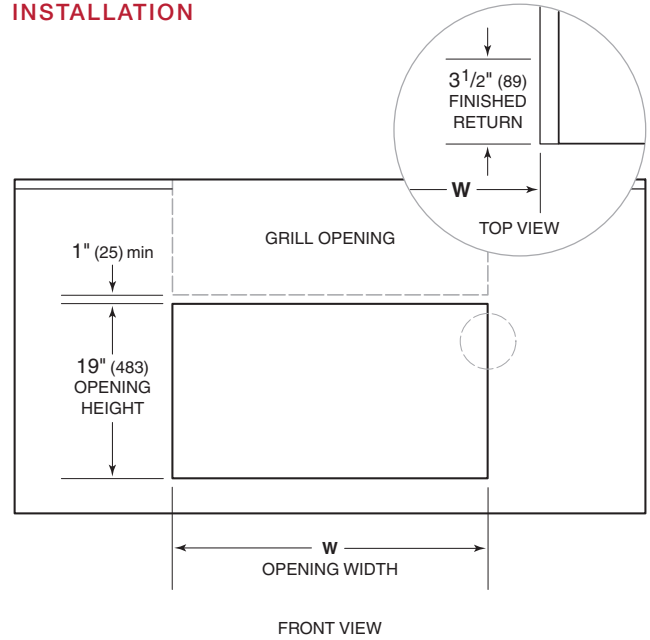
Access Doors

DIMENSIONS



DOOR WIDTH	A	B
18" Single	18" (457)	16 $\frac{1}{4}"$ (413)
30" Double	30" (762)	28 $\frac{1}{4}"$ (718)
36" Double	36" (914)	34 $\frac{1}{4}"$ (870)
42" Double	42" (1067)	40 $\frac{1}{4}"$ (1022)
54" Double	54" (1372)	52 $\frac{1}{4}"$ (1327)

INSTALLATION

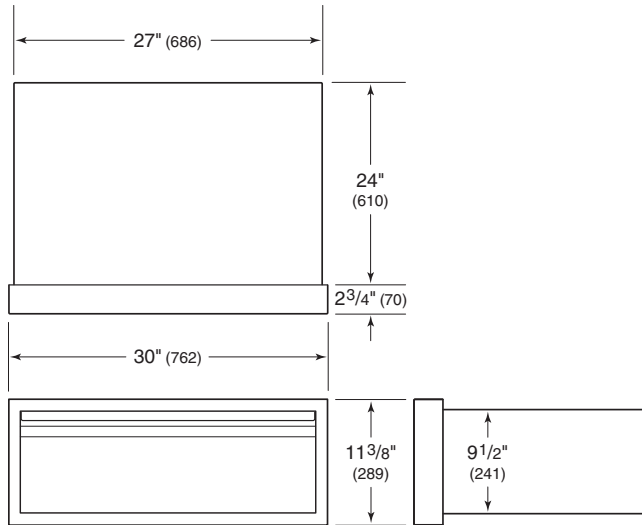


OPENING WIDTH	W
18" Single	16 $\frac{1}{2}"$ (419)
30" Double	28 $\frac{1}{2}"$ (724)
36" Double	34 $\frac{1}{2}"$ (876)
42" Double	40 $\frac{1}{2}"$ (1029)
54" Double	52 $\frac{1}{2}"$ (1334)

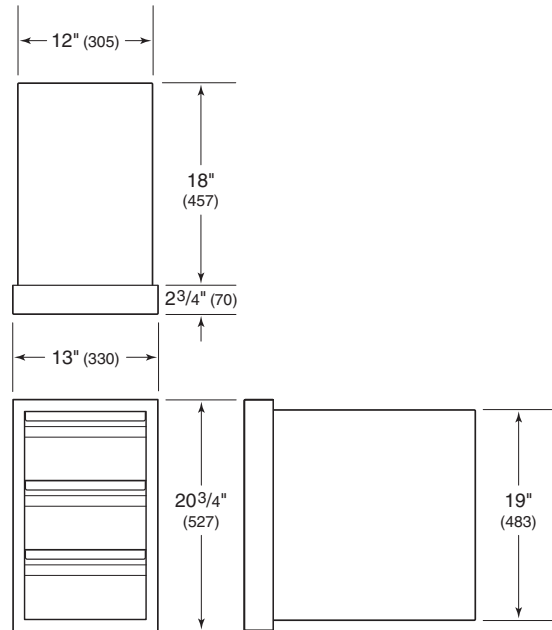
**IMPORTANT NOTE:** The opening dimensions provided are for a standard installation. For a flush installation, refer to the overall dimensions and adjust the opening dimensions accordingly.

Accessory Drawers and Doors

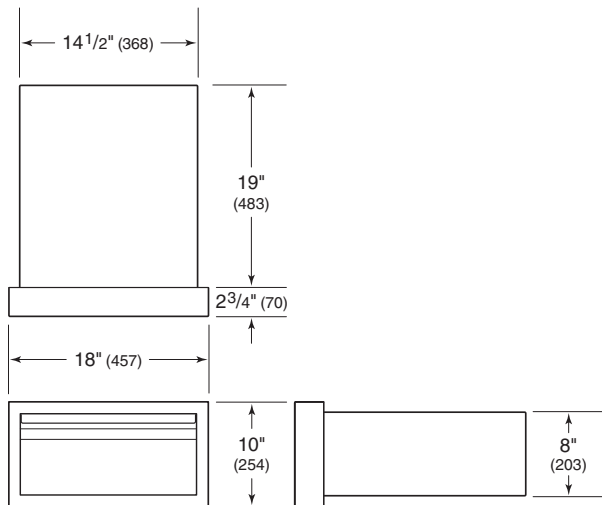
SINGLE DRAWER



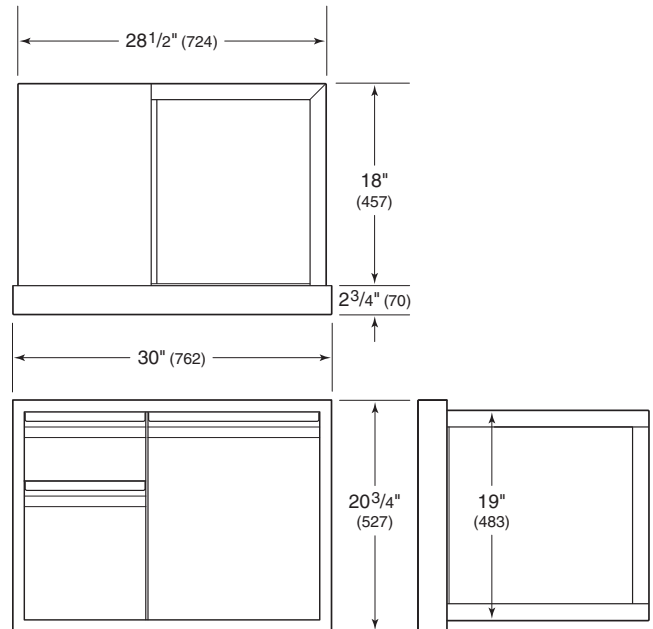
2- OR 3-DRAWER



PAPER TOWEL DRAWER

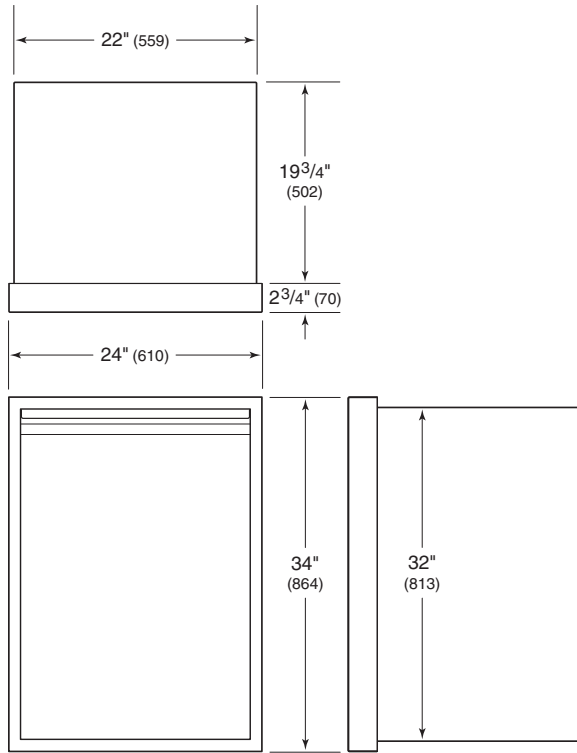


DRAWER/DOOR

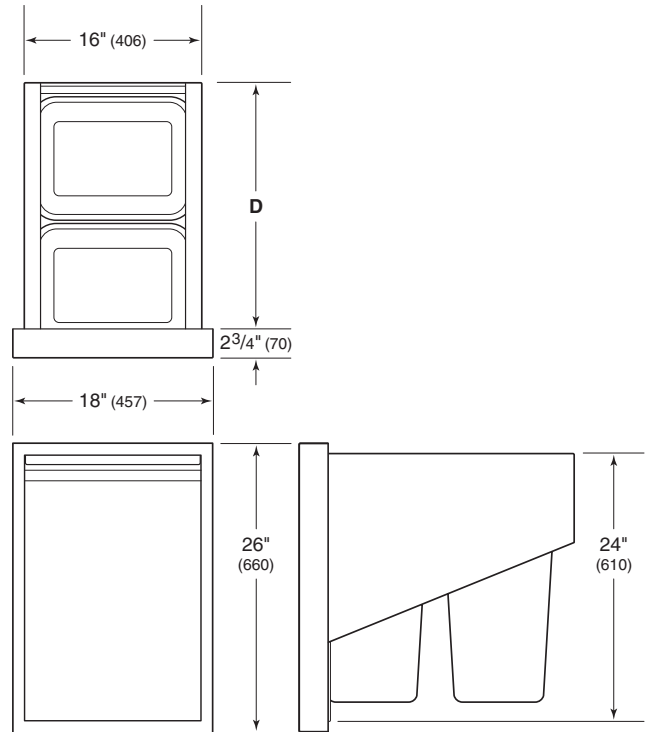


Accessory Drawers and Doors

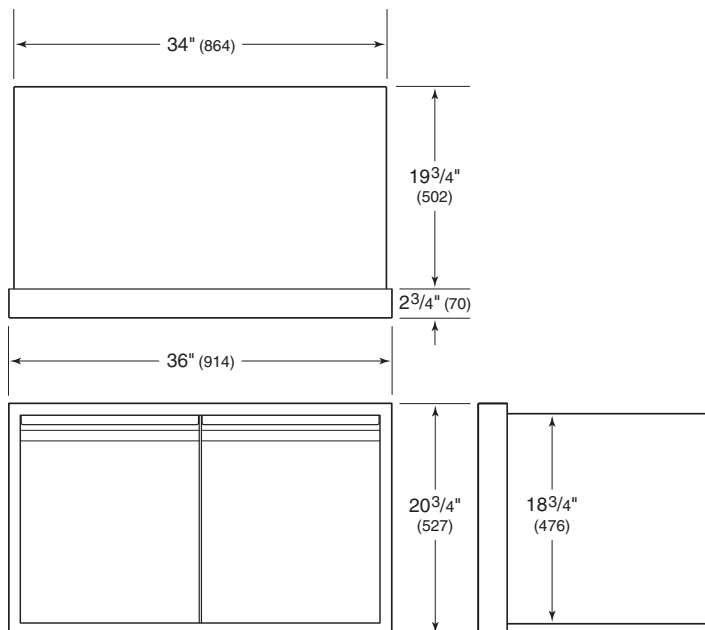
TALL DRY STORAGE



TRASH/RECYCLING DRAWER



SHORT DRY STORAGE

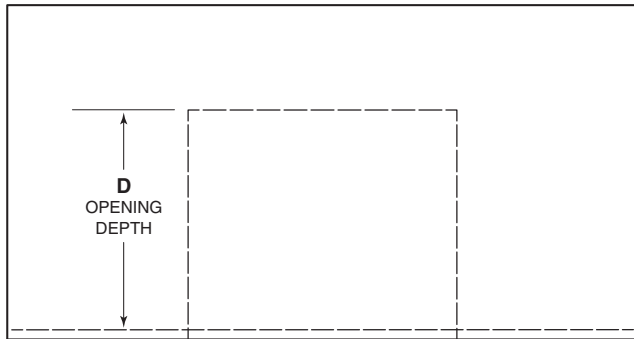


DEPTH	D
Single	22 1/4" (565)
Double	25 1/4" (641)

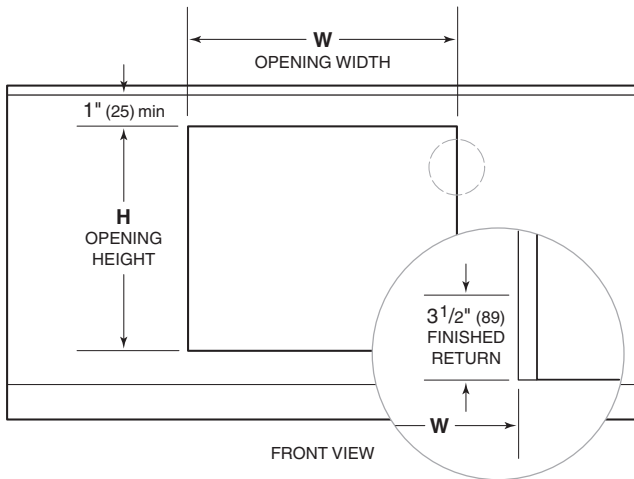


Accessory Drawers and Doors

INSTALLATION



TOP VIEW



FRONT VIEW

OPENING	W	H	D
Single Drawer	27 <sup>1</sup> / <sub>4</sub> " (692)	9 <sup>3</sup> / <sub>4</sub> " (248)	24 <sup>1</sup> / <sub>4</sub> " (616)
Paper Towel Drawer	14 <sup>3</sup> / <sub>4</sub> " (375)	8 <sup>1</sup> / <sub>4</sub> " (210)	19 <sup>1</sup> / <sub>4</sub> " (489)
2- or 3-Drawer	12 <sup>1</sup> / <sub>4</sub> " (311)	19 <sup>1</sup> / <sub>4</sub> " (489)	18 <sup>1</sup> / <sub>4</sub> " (464)
Drawer/Door	28 <sup>3</sup> / <sub>4</sub> " (730)	19 <sup>1</sup> / <sub>4</sub> " (489)	18 <sup>1</sup> / <sub>4</sub> " (464)
Tall Dry Storage	22 <sup>1</sup> / <sub>4</sub> " (565)	32 <sup>1</sup> / <sub>4</sub> " (819)	20" (508)
Short Dry Storage	34 <sup>1</sup> / <sub>4</sub> " (870)	19" (483)	20" (508)
Single Trash/Recycling	16 <sup>1</sup> / <sub>4</sub> " (413)	24 <sup>1</sup> / <sub>4</sub> " (616)	19 <sup>3</sup> / <sub>4</sub> " (502)
Double Trash/Recycling	16 <sup>1</sup> / <sub>4</sub> " (413)	24 <sup>1</sup> / <sub>4</sub> " (616)	22 <sup>3</sup> / <sub>4</sub> " (578)

BASE SUPPORT	MIN
2- or 3-Drawer	150 lb (68 kg)
Drawer/Door	150 lb (68 kg)
Dry Storage	300 lb (136 kg)

**IMPORTANT NOTE:** The opening dimensions provided are for a standard installation. For a flush installation, refer to the overall dimensions and adjust the opening dimensions accordingly.



---

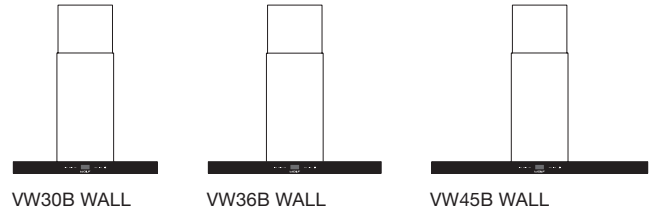
## COOKTOP VENTILATION

### Cooktop Ventilation Hoods

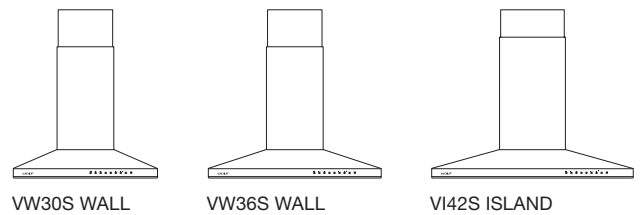
Wolf cooktop ventilation hoods feature three distinct looks—black, stainless, and glass. Brilliant LED lighting illuminates your cooking surface while powerful multi-speed blowers whisk away smoke and odors. Dishwasher-safe filters can be removed easily for cleaning. Wall-mount and island hoods are crafted of stainless steel.

#### COOKTOP HOODS

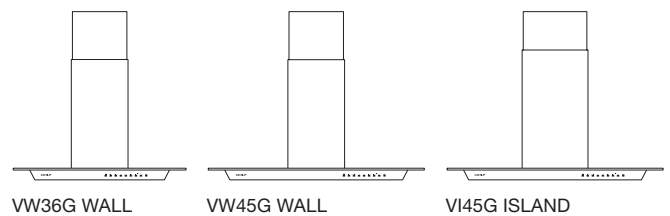
##### BLACK



##### STAINLESS



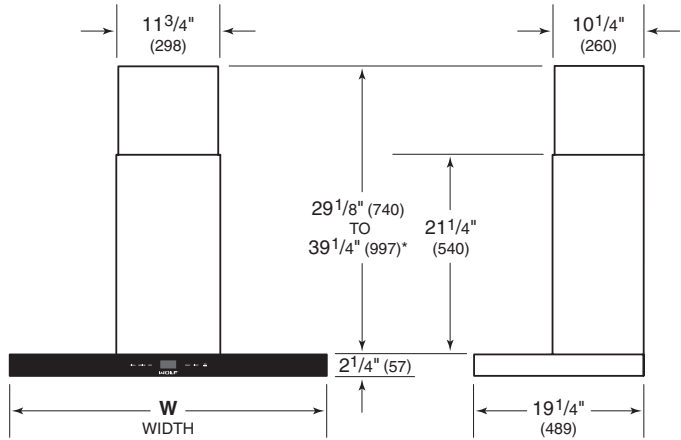
##### GLASS



# COOKTOP VENTILATION

## Cooktop Hoods

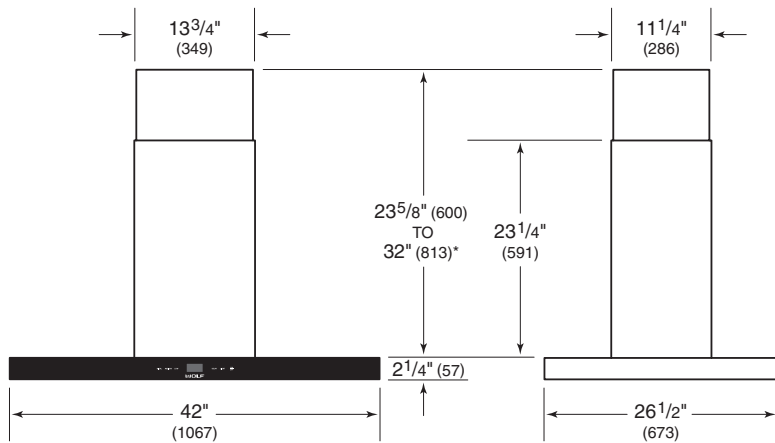
### WALL HOODS—BLACK



\*49 1/8" (1248) to 59 1/4" (1505) with accessory flue extension.

WIDTH	W
VW30B	30" (762)
VW36B	36" (914)
VW45B	45" (1143)

### ISLAND HOOD—BLACK

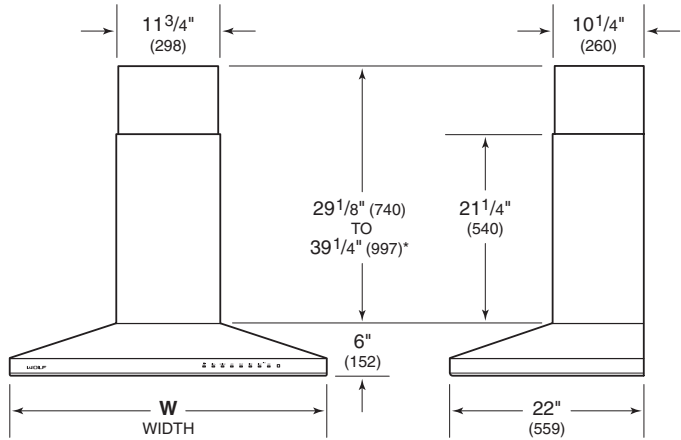


\*46 1/4" (1175) to 55" (1397) with accessory flue extension.

# COOKTOP VENTILATION

## Cooktop Hoods

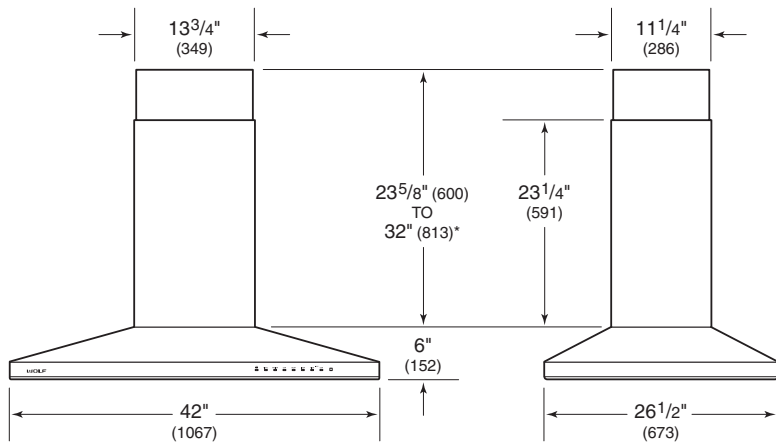
### WALL HOODS – STAINLESS



\*49 1/8" (1248) to 59 1/4" (1505) with accessory flue extension.

WIDTH	W
VW30S	30" (762)
VW36S	36" (914)

### ISLAND HOOD – STAINLESS

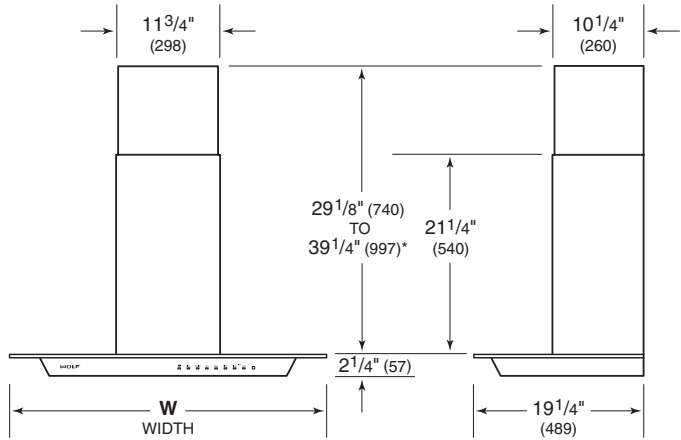


\*46 1/4" (1175) to 55" (1397) with accessory flue extension.

# COOKTOP VENTILATION

## Cooktop Hoods

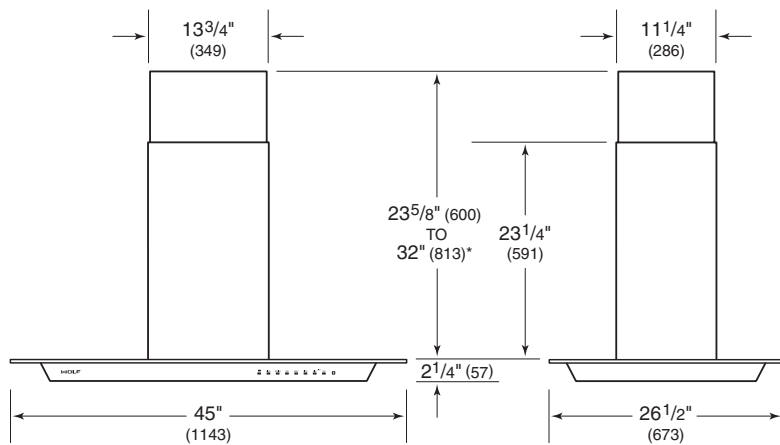
### WALL HOODS – GLASS



\*49 1/8" (1248) to 59 1/4" (1505) with accessory flue extension.

WIDTH	W
VW36G	36" (914)
VW45G	45" (1143)

### ISLAND HOOD – GLASS



\*46 1/4" (1175) to 55" (1397) with accessory flue extension.

### Planning Information

Wolf cooktop ventilation hoods are recommended for use with Wolf induction, electric and gas cooktops, and modules. For ranges and rangetops, a Wolf pro ventilation hood is recommended.

These hoods have a telescopic chimney flue. A flue extension is available through an authorized Wolf dealer.

Installation of the cooktop hood should be 24" (610) to 36" (914) from the bottom of the hood to the countertop.

Wall and island hoods require an internal, in-line, or remote blower assembly, available through an authorized Wolf dealer. For local dealer information, visit the find a showroom section of our website, [wolfappliance.com](http://wolfappliance.com). Refer to Ventilation Suggestions on pages 174–177. Cooktop hoods have a vertical discharge with 6" (152) round duct.

Consult a qualified HVAC professional for specific installation and ducting applications.

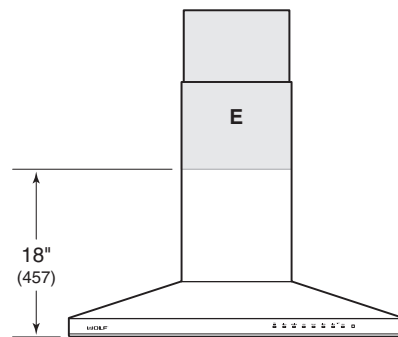
### ELECTRICAL REQUIREMENTS

Installation must comply with all applicable electrical codes.

For wall hoods, locate the electrical supply within the shaded area shown in the illustration below. For island hoods, locate the electrical supply on the ceiling inside the top of the hood. A separate circuit servicing only this appliance is required.

### ELECTRICAL REQUIREMENTS

Electrical Supply	grounded, 110/120 VAC, 60 Hz
Service	15 amp dedicated circuit



24" (610) TO 36" (914) BOTTOM EDGE TO COUNTERTOP

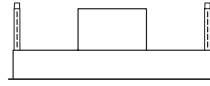
Electrical location for all wall hoods

### Ceiling-Mounted Hood

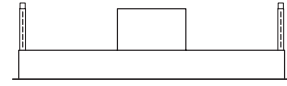
The ceiling-mounted hood is our most contemporary ventilation offering, nearly disappearing into its surroundings. It comes in two widths and is available in stainless steel or white glass. The hood ships with a remote control and can be operated using the remote control or the control panel. The control panel is recessed into the right side of the hood. The dishwasher-safe filters can be removed easily for cleaning.

#### CEILING-MOUNTED HOOD

##### STAINLESS STEEL

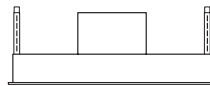


VC36S

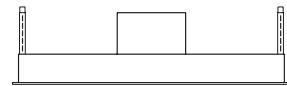


VC48S

##### WHITE GLASS



VC36W



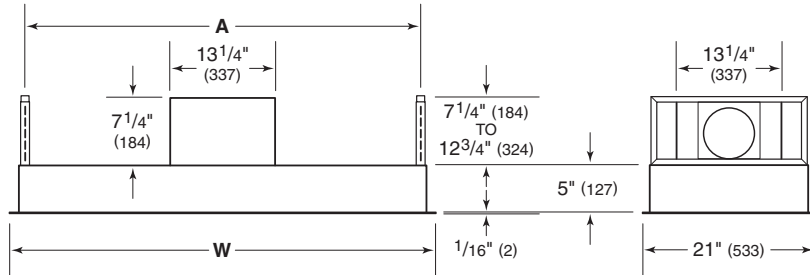
VC48W



# COOKTOP VENTILATION

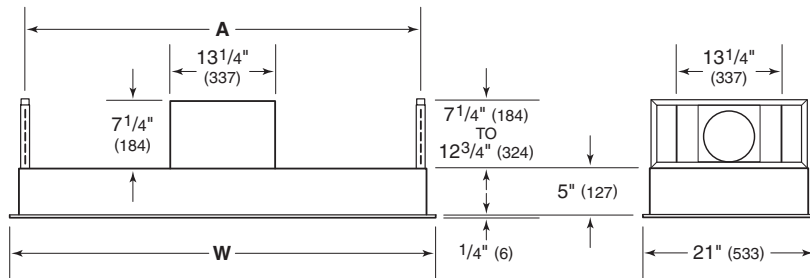
## Ceiling-Mounted Hood

### STAINLESS STEEL



DIMENSIONS	W	A
36" Hood	$35\frac{1}{2}"$ (902)	$33\frac{1}{8}"$ (841)
48" Hood	$47\frac{1}{4}"$ (1200)	$44\frac{1}{8}"$ (1121)

### WHITE GLASS



DIMENSIONS	W	A
36" Hood	$35\frac{1}{2}"$ (902)	$33\frac{1}{8}"$ (841)
48" Hood	$47\frac{1}{4}"$ (1200)	$44\frac{1}{8}"$ (1121)

## Planning Information

Installation of the ceiling-mounted hood should be 36" (914) to 84" (2134) from the bottom of the hood to the countertop.

The hood can be operated using the remote control or the control panel located on the right side of the hood.

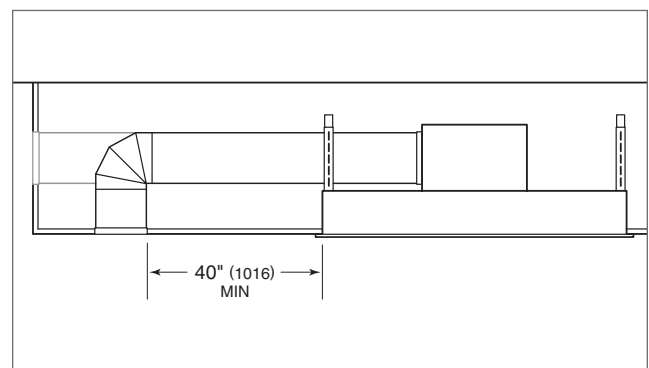
The hood is shipped without a blower assembly. Internal, in-line, and remote blowers are available through an authorized Wolf dealer. For local dealer information, visit the find a showroom section of our website, [wolfappliance.com](http://wolfappliance.com). Refer to Ventilation Suggestions on pages 174–177.

Ceiling-mounted hoods include a 6" (152) round discharge for internal blowers and a 10" (254) round discharge for in-line and remote blowers. For an internal blower, the blower box can be rotated to discharge right, left, front, or rear. For an in-line or remote blower, the discharge is vertical only.

Consult a qualified HVAC professional for specific installation and ducting applications.

## RECIRCULATING APPLICATION

The ceiling-mounted hood with an internal blower only, can be installed in a recirculating application. The air discharge must be a minimum of 40" (1016) from every side of the hood. Refer to the illustration below. The ductwork and vent cover are not provided. A recirculation kit, available through an authorized Wolf dealer, is required.



Recirculating application

Planning Information

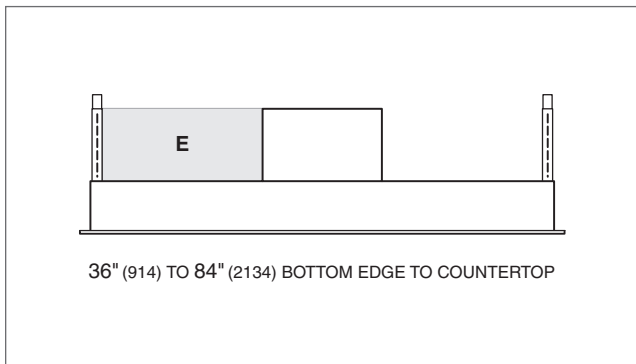
ELECTRICAL REQUIREMENTS

Installation must comply with all applicable electrical codes.

Locate the electrical supply within the shaded area shown in the illustration below. Allow a minimum 12" (305) Romex® wire for connection. A separate circuit servicing only this appliance is required.

ELECTRICAL REQUIREMENTS

Electrical Supply	grounded, 120 VAC, 60 Hz
Service	15 amp dedicated circuit



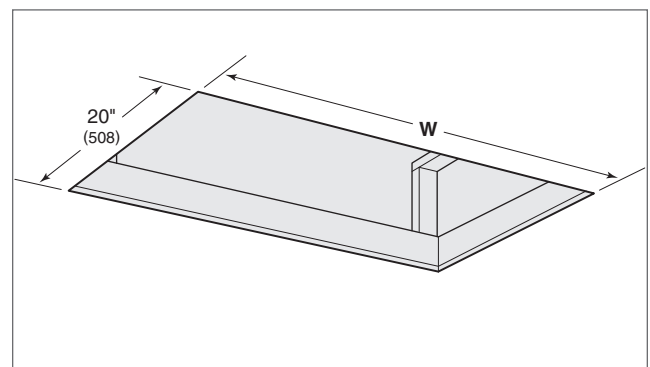
Electrical location

Opening Dimensions

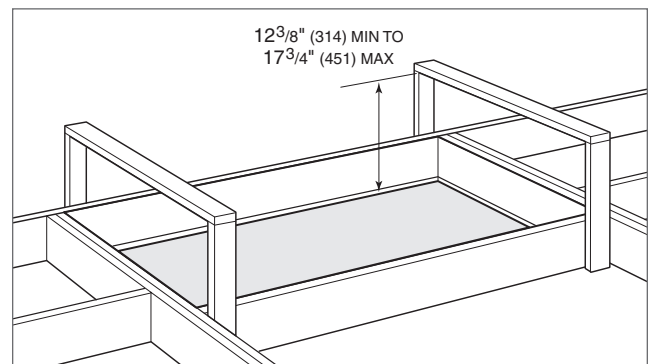
CEILING-MOUNTED HOOD

Refer to the chart and illustrations below for opening dimensions and typical framing. Framing must be able to support a minimum of 100 lb (45 kg).

HOOD	W
36" Hood	34 <sup>1</sup> / <sub>2</sub> " (873)
48" Hood	46 <sup>1</sup> / <sub>4</sub> " (1175)



Opening dimensions

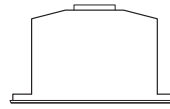


Support framing (typical)

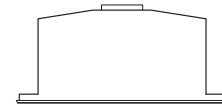
### Under-Cabinet Hood Insert

The under-cabinet hood insert mounts inside a cabinet. It comes in two widths and is available in stainless steel. The hood ships with a remote control and can be operated using the remote control or the control panel. The dishwasher-safe filters can be removed easily for cleaning.

#### UNDER-CABINET HOOD INSERT



VU24S

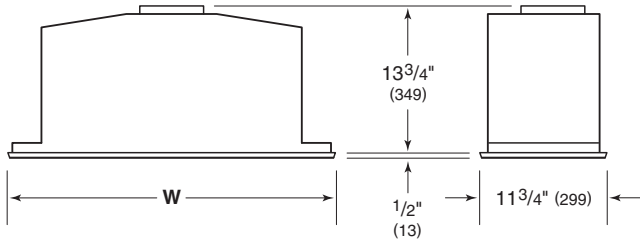


VU30S

# COOKTOP VENTILATION

## Under-Cabinet Hood Insert

### DIMENSIONS



<b>WIDTH</b>	<b>W</b>
24" Hood Insert	20 <sup>1</sup> / <sub>2</sub> " (521)
30" Hood Insert	27 <sup>5</sup> / <sub>8</sub> " (702)

### Planning Information

The under-cabinet hood insert should be installed 24" (610) to 36" (914) from the bottom of the hood to the countertop.

The hood can be operated using the remote control or the control panel located at the front of the hood bottom.

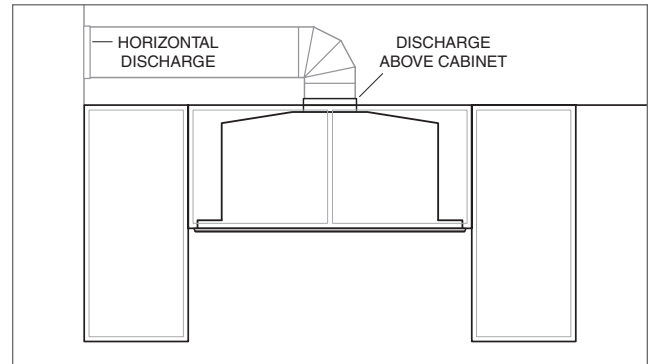
The hood requires a 300 or 600 CFM internal blower, available through an authorized Wolf dealer. For local dealer information, visit the find a showroom section of our website, [wolfappliance.com](http://wolfappliance.com). Refer to Ventilation Suggestions on pages 174–177. The hood includes a 6" (152) round discharge for an internal blower.

Consult a qualified HVAC professional for specific installation and ducting applications.

### RECIRCULATING APPLICATION

The hood can be installed in a recirculating application. Refer to the illustration below. Ductwork is not provided.

Recirculating filters, available through an authorized Wolf dealer, are required.



Recirculating application

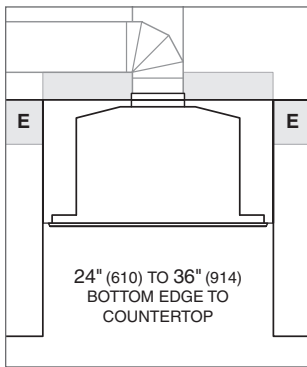
**Planning Information**

**ELECTRICAL REQUIREMENTS**

Installation must comply with all applicable electrical codes. Locate the electrical supply above or in an adjacent cabinet within reach of the power cord. Refer to the illustration below. A separate circuit servicing only this appliance is required.

**ELECTRICAL REQUIREMENTS**

Electrical Supply	grounded, 120 VAC, 60 Hz
Service	15 amp dedicated circuit
Power Cord	4' (1.2 m)



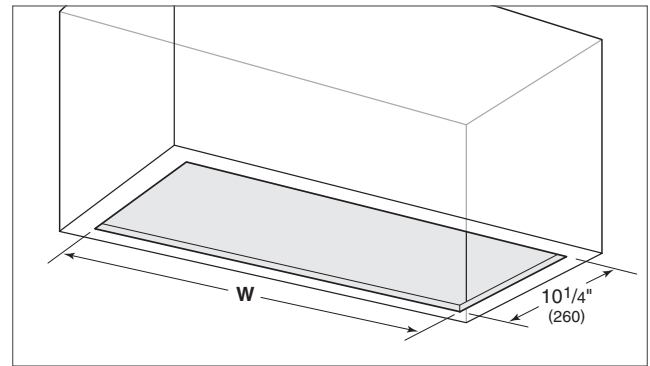
Electrical location

**Opening Dimensions**

**UNDER-CABINET HOOD INSERT**

Refer to the chart and illustration below for opening dimensions. The cabinet must be able to support a minimum of 100 lb (45 kg).

OPENING WIDTH	W
24" Hood Insert	19 <sup>1</sup> / <sub>2</sub> " (495)
30" Hood Insert	26 <sup>5</sup> / <sub>8</sub> " (676)



Opening dimensions



---

## DOWNDRAFT VENTILATION

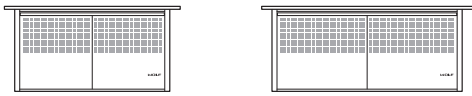


# DOWNDRAFT VENTILATION

## Downdraft Ventilation

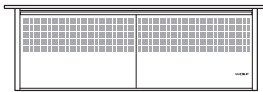
Constructed of heavy duty stainless steel, the Wolf down-draft rises from the countertop to whisk away odor and smoke into stainless steel, mesh filters and can be lowered beneath the countertop when not in use. Downdrafts integrate perfectly with transitional induction and electric cooktops, gas cooktops, and some modules, they can also be installed with certain sealed burner rangetops.

### DOWNDRAFTS



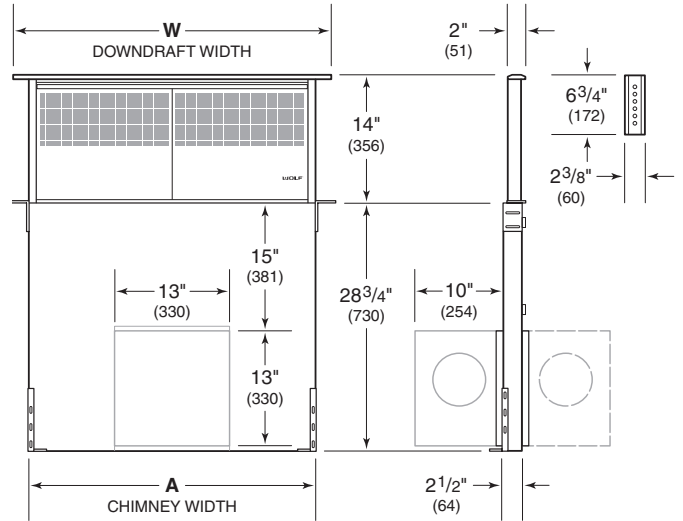
DD30

DD36



DD45

### DIMENSIONS



NOTE: Shown with front mounted internal blower with 6" (152) round discharge, dashed line represents rear mount.

WIDTH	W	A
DD30	30" (762)	26 1/2" (673)
DD36	36" (914)	32 1/2" (826)
DD45	45" (1143)	38 1/2" (978)

### Planning Information

Wolf downdrafts can be installed with most Wolf cooktops, but are not compatible with the grill, steamer, and fryer modules. Downdrafts can be installed with sealed burner rangetop models SRT304 and SRT366.

For installation with a Wolf cooktop, a minimum 25<sup>1</sup>/<sub>8</sub>" (638) deep flat countertop is required.

For installation with a sealed burner rangetop or 30" (762) or 36" (914) contemporary cooktop, an accessory trim kit is required. Contact an authorized Wolf dealer for details. For local dealer information, visit the find a showroom section of our website, wolfappliance.com.

The remote-mounted control module can be positioned horizontally or vertically. It must be located within 9' (2.7 m) of the downdraft assembly and a minimum 3" (76) from the edge of the cooktop cutout.

Consult a qualified HVAC professional for specific installation and ducting applications.

### BLOWERS

Internal, in-line, and remote blowers are available through an authorized Wolf dealer. For local dealer information, visit the find a showroom section of our website, wolfappliance.com. Refer to Ventilation Suggestions on pages 174–177.

Internal blowers have a 6" (152) round discharge, can be front or rear mounted, and can be discharged in any direction by rotating the blower box. In-line and remote blowers have a 10" (254) discharge and can be discharged from the front or rear.

### ELECTRICAL REQUIREMENTS

Installation must comply with all applicable electrical codes.

Locate the electrical supply as shown in the illustrations on the following pages. A separate circuit servicing only this appliance is required. A ground fault circuit interrupter (GFCI) is not recommended and may cause interruption of operation.

Certain installations may require the electrical supply be placed in an adjacent cabinet.

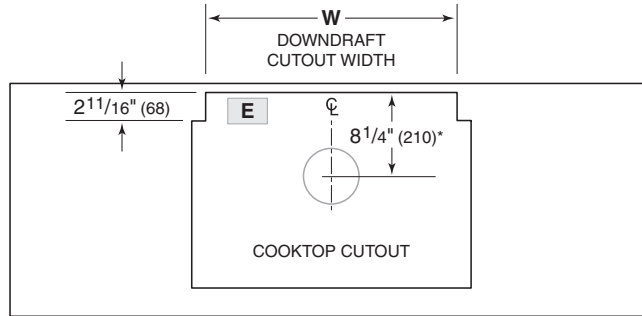
### ELECTRICAL REQUIREMENTS

Electrical Supply	grounded, 120 VAC, 60 Hz
Service	15 amp dedicated circuit
Receptacle	3-prong grounding-type
Power Cord	2 <sup>1</sup> / <sub>2</sub> ' (.8 m)

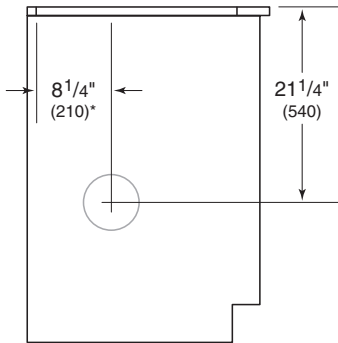
# DOWNDRAFT VENTILATION

## Downdraft

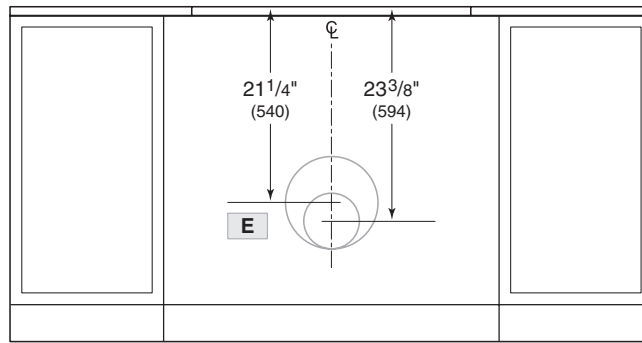
### INSTALLATION WITH STANDARD INSTALLED COOKTOP



TOP VIEW



SIDE VIEW



FRONT VIEW

\*6" (152) back from countertop cutout when internal blower is rear mounted.

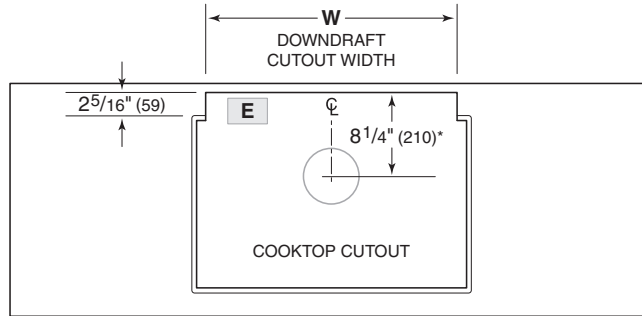
NOTE: Internal blower 6" (152) round, side, rear or bottom discharge. In-line and remote blower 10" (254) round, rear discharge. Centerline indicates center of downdraft cutout.

CUTOUT WIDTH	W
DD30	27 1/2" (699)
DD36	33 1/2" (851)
DD45	39 1/2" (1003)

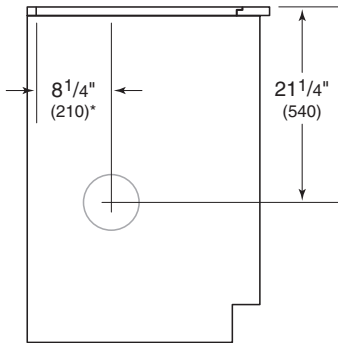
# DOWNDRAFT VENTILATION

## Downdraft

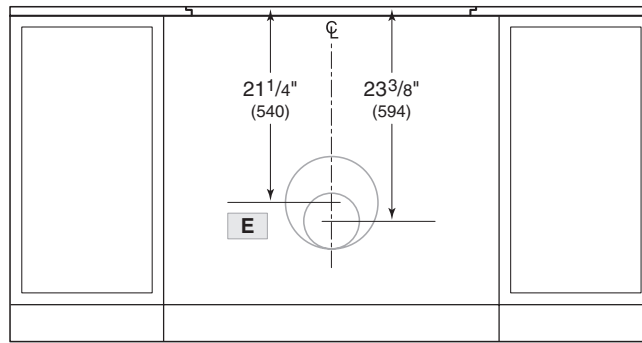
### INSTALLATION WITH FLUSH INSTALLED COOKTOP



TOP VIEW



SIDE VIEW



FRONT VIEW

\*6" (152) back from countertop cutout when internal blower is rear mounted.

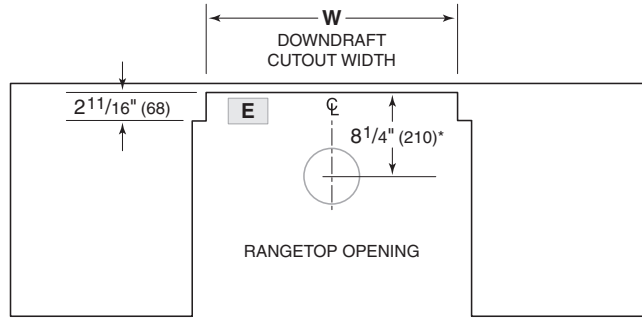
NOTE: Internal blower 6" (152) round, side, rear, or bottom discharge. In-line and remote blower 10" (254) round, rear discharge. Centerline indicates center of downdraft cutout.

CUTOUT WIDTH	W
DD30	$27\frac{1}{2}"$ (699)
DD36	$33\frac{1}{2}"$ (851)

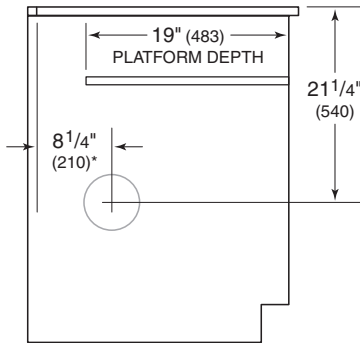
# DOWNDRAFT VENTILATION

## Downdraft

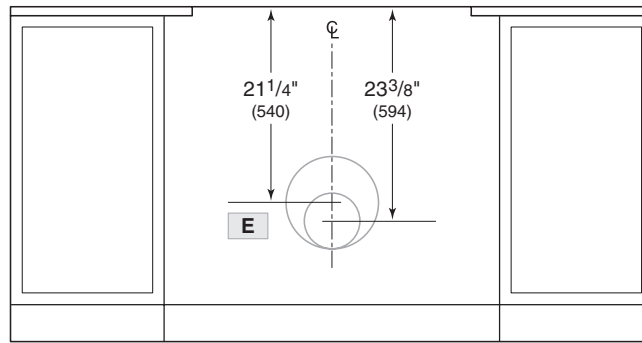
### INSTALLATION WITH SEALED BURNER RANGETOP



TOP VIEW



SIDE VIEW



FRONT VIEW

\*6" (152) back from countertop cutout when internal blower is rear mounted.

NOTE: Internal blower 6" (152) round, side, rear, or bottom discharge. In-line and remote blower 10" (254) round, rear discharge. Centerline indicates center of downdraft cutout.

CUTOUT WIDTH	W
DD30	27 1/2" (699)
DD36	33 1/2" (851)



---

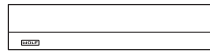
## PRO VENTILATION

### Pro Ventilation Hoods

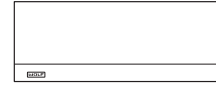
Professional heritage shines through in Wolf professional-style ventilation. Exteriors are heavy-duty, welded stainless steel, so finely hand-finished they appear seamless. Pro hoods are available in a variety of widths. Stainless steel baffle filters and halogen lighting extend the professional look and back it up with pro-level performance. All pro ventilation hoods are crafted of stainless steel. A hood liner is also available for custom applications. The outdoor wall hood is specifically designed for outdoor use.

#### PRO HOODS

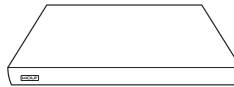
##### WALL HOODS



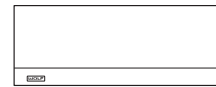
LOW-PROFILE



24"/27" DEEP

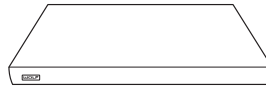


CHIMNEY



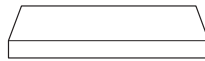
OUTDOOR

##### ISLAND HOOD



ISLAND

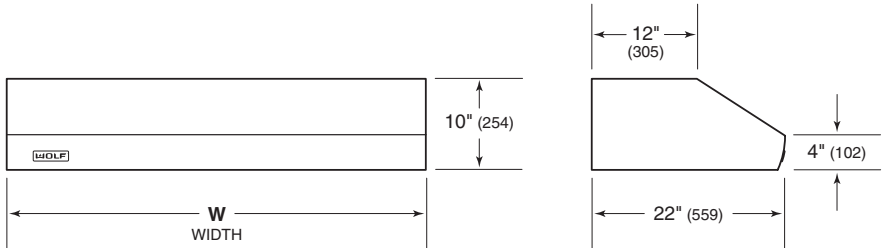
##### HOOD LINER



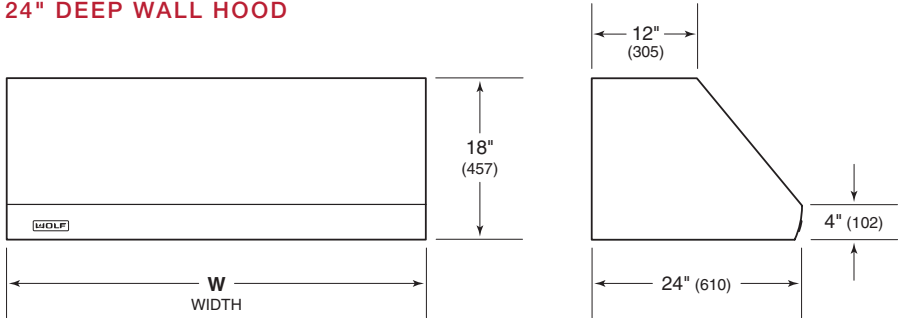
19"/22" DEEP

Pro Hoods

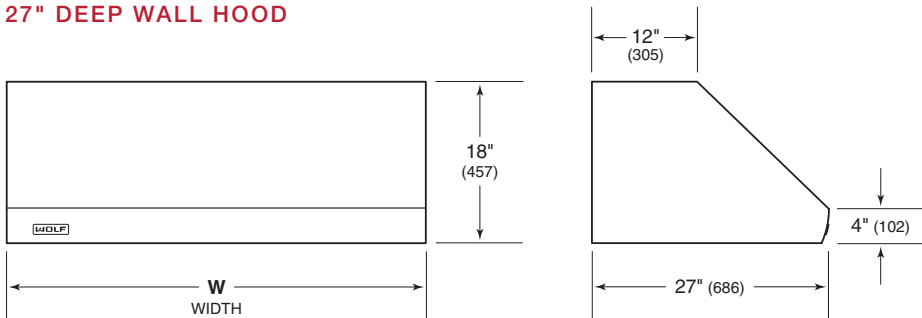
LOW-PROFILE WALL HOOD



24" DEEP WALL HOOD



27" DEEP WALL HOOD



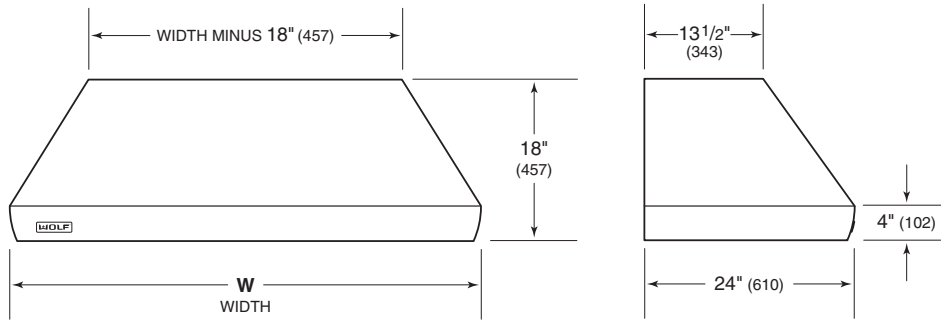
WIDTH

<b>LOW-PROFILE WALL HOOD</b>	<b>W</b>
30" (762), 36" (914), 42" (1067), 48" (1219)	
<b>24" DEEP WALL HOOD</b>	<b>W</b>
30" (762), 36" (914), 42" (1067), 48" (1219) 54" (1372), 60" (1524), 66" (1676)	
<b>27" DEEP WALL HOOD</b>	<b>W</b>
30" (762), 36" (914), 42" (1067), 48" (1219) 54" (1372), 60" (1524), 66" (1676)	

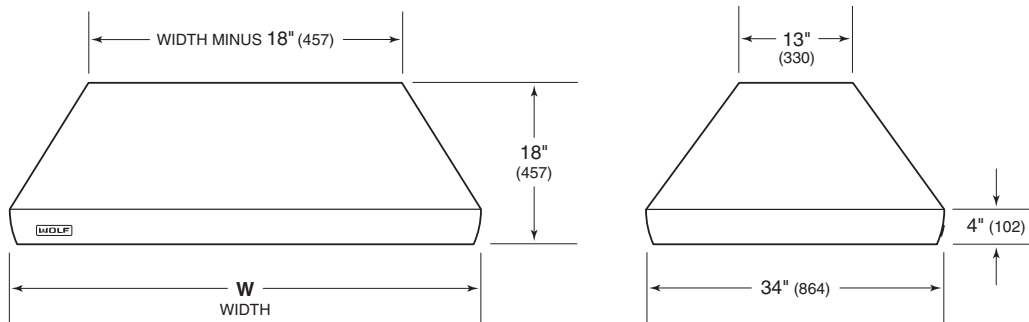


Pro Hoods

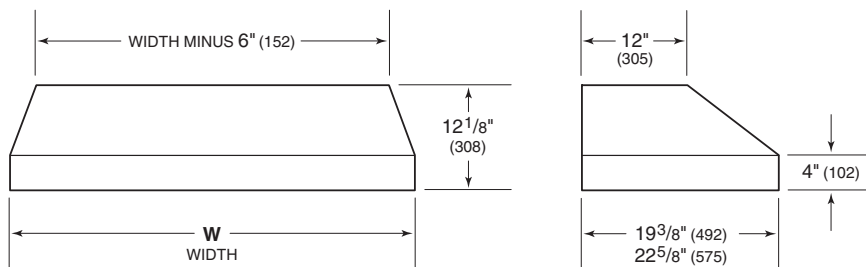
WALL CHIMNEY HOOD



ISLAND HOOD



HOOD LINER



WIDTH

WALL CHIMNEY HOOD **W**  
36" (914), 42" (1067), 48" (1219), 54" (1372)

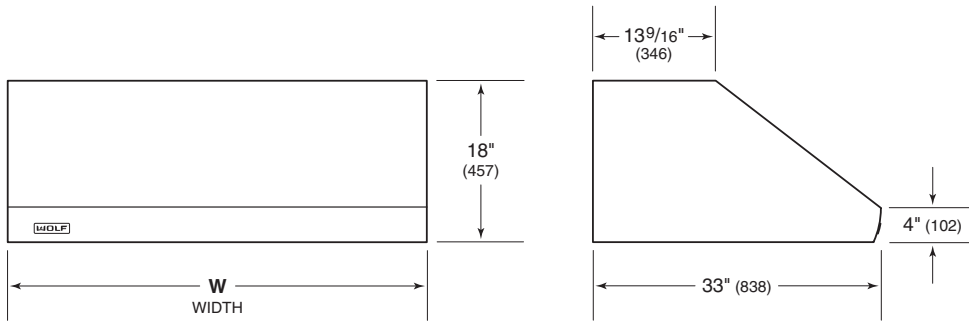
ISLAND HOOD **W**  
36" (914), 42" (1067), 54" (1372), 66" (1676)

HOOD LINER **W**  
34 3/8" (873), 40 3/8" (1026), 46 3/8" (1178)  
52 3/8" (1330), 58 3/8" (1483)

# PRO VENTILATION

## Pro Hoods

### OUTDOOR WALL HOOD



#### WIDTH

OUTDOOR WALL HOOD

W

36" (914), 48" (1219), 60" (1524)

## Planning Information

Pro ventilation hoods and hood liners are recommended for use with all Wolf cooking appliances. Wall hoods should be at least as wide as the cooking surface and island hoods should be 3" (76) wider on each side.

For optimal performance in wall hood applications, a pro 27" deep wall hood is recommended for use with ranges and rangetops with a charbroiler or griddle.

Installation of all Pro hoods except the outdoor wall hood should be 30" (762) to 36" (914) from the bottom of the hood to the countertop. Installation of the outdoor wall hood should be 36" (914) to 42" (1067) from the bottom of the hood to the countertop.

Pro hoods and hood liners are shipped without a blower assembly. Internal, in-line, and remote blowers are available through an authorized Wolf dealer. For local dealer information, visit the find a showroom section of our website, [wolfappliance.com](http://wolfappliance.com). The blower will vary in size and is dictated by the cooking unit, volume of air, and length of the duct run. Refer to Ventilation Suggestions on pages 174–177.

Pro hoods accommodate a 10" (254) round duct. Low-profile wall hoods allow for an adjustable discharge. All other pro hoods have a vertical discharge. For the 24" and 27" deep wall hoods, a horizontal discharge kit is available through an authorized Wolf dealer.

Consult a qualified HVAC professional for specific installation and ducting applications.

Optional stainless steel duct covers in a variety of heights are available for pro wall and island hoods through an authorized Wolf dealer.

## RECIRCULATING APPLICATION

Low-profile, 24" deep, and 27" deep wall hoods with an internal blower (600 CFM or less), 30" (762) and 36" (914) widths only, can be used in a non-ducted application with a recirculating filter. In this installation, kitchen air is purified through the filters and returned as clean air into the room. A recirculation kit, available through an authorized Wolf dealer, is required.

## CUSTOM HOOD APPLICATIONS

Wolf pro hood liners are for use in custom hood applications. The decorative hood can be created out of wood, plaster, tile, or metal. The shape of the hood is not critical, however, the bottom of the hood and liner must be on the same plane. The height of the liner does not need to accommodate the entire height of the decorative hood.

## Electrical Requirements

Installation must comply with all applicable electrical codes.

Locate the electrical supply as shown in the illustrations on the following page. A separate circuit servicing only this appliance is required.

For the outdoor wall hood, a ground fault circuit interrupter (GFCI) is required to reduce the risk of electrical shock.

### **ELECTRICAL REQUIREMENTS**

---

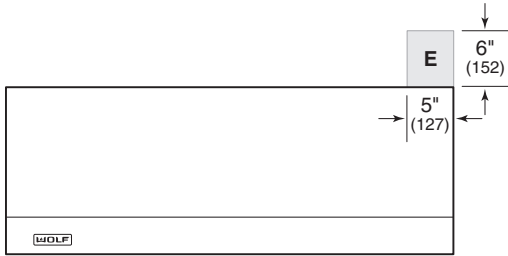
Electrical Supply	grounded, 120 VAC, 60 Hz
Service	15 amp dedicated circuit

---

# PRO VENTILATION

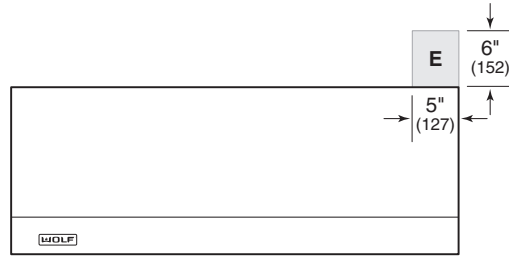
## Installation

### LOW-PROFILE / 24" DEEP / 27" DEEP WALL HOOD



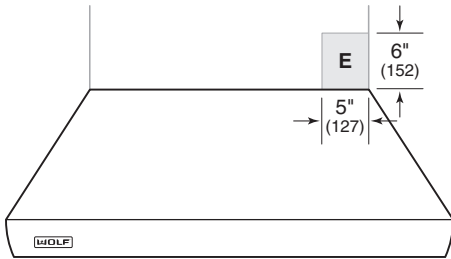
30" (762) TO 36" (914) BOTTOM EDGE TO COUNTERTOP

### OUTDOOR WALL HOOD



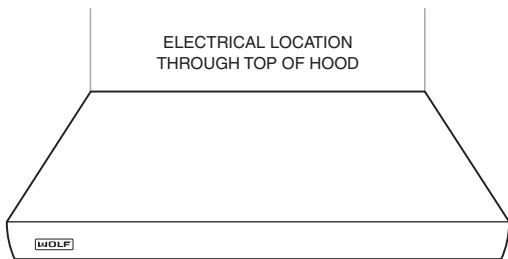
36" (914) TO 42" (1067) BOTTOM EDGE TO COUNTERTOP

### WALL CHIMNEY HOOD



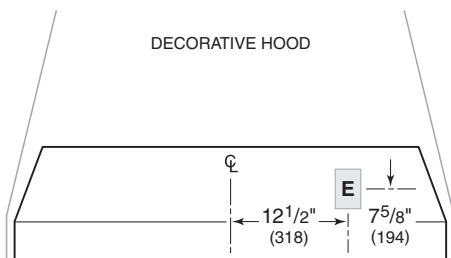
30" (762) TO 36" (914) BOTTOM EDGE TO COUNTERTOP

### ISLAND HOOD



30" (762) TO 36" (914) BOTTOM EDGE TO COUNTERTOP

### HOOD LINER



30" (762) TO 36" (914) BOTTOM EDGE TO COUNTERTOP

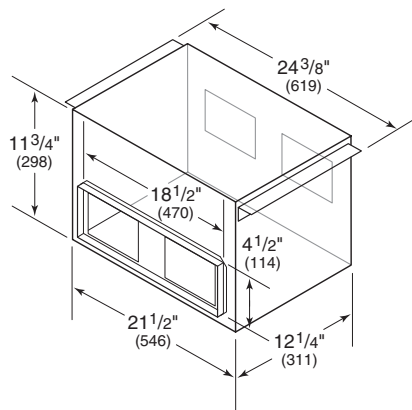
**Blower Assemblies**

For Wolf ventilation hoods and downdrafts that do not include a blower assembly, an internal, in-line, or remote blower assembly must be selected to accommodate the cooking appliance, CFM requirements, and homeowner preferences. Internal, in-line, and remote blowers are available through an authorized Wolf dealer. For local dealer information, visit the find a showroom section of our website, [wolfappliance.com](http://wolfappliance.com).

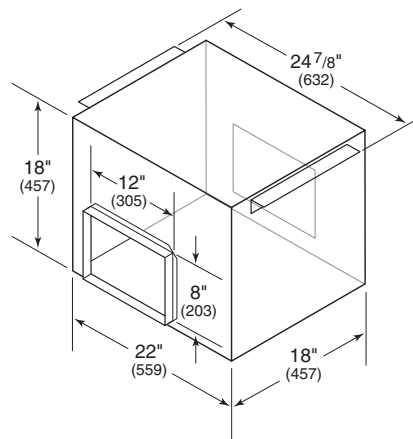
Ventilation suggestions on the following pages provide Wolf product CFM and blower options for each ventilation hood and downdraft.

Refer to the illustrations below for dimensions of Wolf in-line and remote blowers. Installation instructions shipped with each Wolf ventilation product provide detailed specifications. These instructions can also be found on our website, [wolfappliance.com/specs](http://wolfappliance.com/specs).

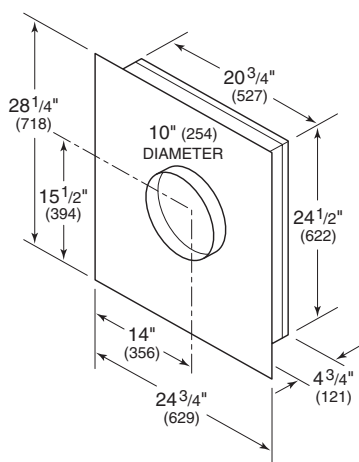
**600 CFM IN-LINE**



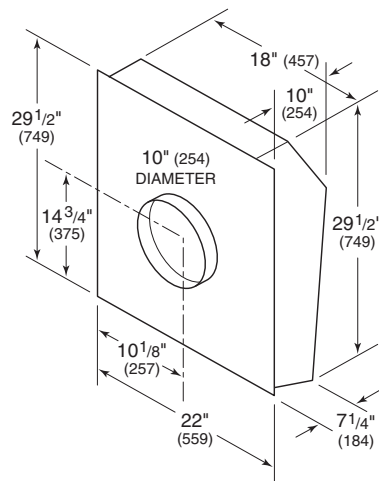
**1100 CFM IN-LINE**



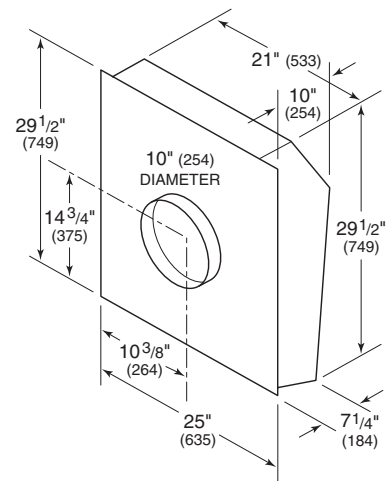
**600 / 900 CFM REMOTE**



**1200 CFM REMOTE**



**1500 CFM REMOTE**



## VENTILATION SUGGESTIONS

### Wolf Product CFM

CFM	COOKTOP HOOD	DOWNDRAFT	PRO HOOD
<b>COOKTOP / MODULE</b>			
CI152TF/S CE152TF/S CG152TF/S	300	600	300
SM15TF/S FM15TF/S GM15TF/S	300		300
TM15TF/S MM15TF/S	300	600	300
CI243TF/S CI243C/B CG243TF/S	300		300
CI304TF/S CI304T/S CI304C/B	300	600	300
CE304T/S CE304C/B	300	600	300
CG304T/S CG304P/S	300	600	300
CI365TF/S CI365T/S CI365C/B	300	600	300
CE365T/S CE365C/B	300	600	300
CG365T/S CG365P/S CG365C/S	300	600	300
<b>DUAL FUEL RANGE</b>			
DF304			500
DF366 DF364C DF364G			900
DF486C DF486G DF484CG DF484DG DF484F			1100
DF606CG DF606DG DF606F DF604CF DF604GF			1500
<b>GAS RANGE</b>			
GR304			500
GR366 GR364C GR364G			900
GR488 GR486C GR486G GR484CG GR484DG			1100
GR606CG GR606DG GR606F			1500
<b>INDUCTION RANGE</b>			
IR304	300		300
IR365	300		300
<b>SEALED BURNER RANGETOP</b>			
SRT304		600	500
SRT366		600	900
SRT364C SRT364G			900
SRT486C SRT486G SRT484CG SRT484DG SRT484F			900

## VENTILATION SUGGESTIONS

### Wolf Ventilation Blower Options

INTERNAL BLOWER (CFM)	300 INT*	450 INT*	500 INT	600 INT	900 INT	1200 INT
<b>COOKTOP HOOD</b>						
VW30B VW36B VW45B VI42B	•			•		
VW30S VW36S VI42S	•			•		
VW36G VW45G VI45G	•			•		
<b>CEILING-MOUNTED HOOD</b>						
VC36S VC36W VC48S VC48W				•		
<b>UNDER-CABINET HOOD INSERT</b>						
VU24S VU30S	•			•		
<b>DOWNDRAFT</b>						
DD30 DD36 DD45				•		
<b>PRO LOW-PROFILE WALL HOOD</b>						
PW302210 PW362210			•			
PW422210 PW482210			•			
<b>PRO 24" WALL HOOD</b>						
PW302418 PW362418 PW422418	•	•		•	•	•
PW482418 PW542418	•	•		•	•	•
PW602418 PW662418	•	•		•	•	•
<b>PRO 27" WALL HOOD</b>						
PW302718 PW362718 PW422718	•	•		•	•	•
PW482718 PW542718	•	•		•	•	•
PW602718 PW662718	•	•		•	•	•
<b>PRO WALL CHIMNEY HOOD</b>						
PWC362418 PWC422418	•	•		•	•	•
PWC482418 PWC542418	•	•		•	•	•
<b>PRO ISLAND HOOD</b>						
PI363418 PI423418	•	•		•	•	•
PI543418	•	•		•	•	•
PI663418	•	•		•	•	•
<b>PRO HOOD LINER</b>						
PL341912 PL342212 PL401912 PL402212	•	•		•	•	•
PL461912 PL462212	•	•		•	•	•
PL521912 PL522212	•	•		•	•	•
PL581912 PL582212	•	•		•	•	•
<b>OUTDOOR WALL HOOD</b>						
PW363318O PW483318O PW603318O						•

\*For make-up air restricted applications. Capture and performance may be reduced.



## VENTILATION SUGGESTIONS

### Wolf Ventilation Blower Options

IN-LINE / REMOTE BLOWER (CFM)	600 IL	1100 IL	600 REM	900 REM	1200 REM	1500 REM
<b>COOKTOP HOOD</b>						
VW30B VW36B VW45B VI42B	•		•			
VW30S VW36S VI42S	•		•		•	
VW36G VW45G VI45G	•		•			
<b>CEILING-MOUNTED HOOD</b>						
VC36S VC36W VC48S VC48W	•		•		•	
<b>UNDER-CABINET HOOD INSERT</b>						
VU24S VU30S						
<b>DOWNDRAFT</b>						
DD30 DD36 DD45	•		•		•	
<b>PRO LOW-PROFILE WALL HOOD</b>						
PW302210 PW362210	•	•	•	•	•	•
PW422210 PW482210	•	•	•	•	•	•
<b>PRO 24" WALL HOOD</b>						
PW302418	•	•	•	•	•	•
PW362418 PW422418 PW482418 PW542418	•	•	•	•	•	•
PW602418 PW662418	•	•	•	•	•	•
<b>PRO 27" WALL HOOD</b>						
PW302718	•	•	•	•	•	•
PW362718 PW422718 PW482718 PW542718	•	•	•	•	•	•
PW602718 PW662718	•	•	•	•	•	•
<b>PRO WALL CHIMNEY HOOD</b>						
PWC362418 PWC422418	•	•	•	•	•	•
PWC482418 PWC542418	•	•	•	•	•	•
<b>PRO ISLAND HOOD</b>						
PI363418 PI423418	•	•	•	•	•	•
PI543418	•	•	•	•	•	•
PI663418	•	•	•	•	•	•
<b>PRO HOOD LINER</b>						
PL341912 PL342212 PL401912 PL402212	•	•	•	•	•	•
PL461912 PL462212	•	•	•	•	•	•
PL521912 PL522212	•	•	•	•	•	•
PL581912 PL582212	•	•	•	•	•	•
<b>OUTDOOR WALL HOOD</b>						
PW363318O PW483318O PW603318O		•			•	•

## SHIPPING WEIGHT

### Wolf Product Shipping Weight

#### SHIPPING WEIGHT

<b>BUILT-IN OVEN</b>	<b>LB (KG)</b>
24" Single Oven	80 (36)
30" Single Oven	273 (124)
30" Double Oven	466 (211)
36" Single Oven	288 (131)

---

<b>CONVECTION STEAM OVEN</b>	<b>LB (KG)</b>
24" Oven	80 (36)
30" Oven	80 (36)

---

<b>MICROWAVE OVEN</b>	<b>LB (KG)</b>
24" Drop-Down Door Microwave	80 (36)
30" Drop-Down Door Microwave	80 (36)
24" Drawer Microwave	91 (41)
30" Drawer Microwave	96 (44)
Convection Microwave	68 (31)
Standard Microwave	50 (23)

---

<b>WARMING DRAWER</b>	<b>LB (KG)</b>
30" Warming Drawer	100 (45)

#### SHIPPING WEIGHT

<b>INDUCTION COOKTOP</b>	<b>LB (KG)</b>
24" Cooktop	42 (19)
30" Cooktop	49 (22)
36" Cooktop	61 (28)

---

<b>ELECTRIC COOKTOP</b>	<b>LB (KG)</b>
30" Cooktop	45 (20)
36" Cooktop	60 (27)

---

<b>GAS COOKTOP</b>	<b>LB (KG)</b>
24" Cooktop	36 (16)
30" Cooktop	50 (23)
36" Cooktop	67 (30)

---

<b>MODULE</b>	<b>LB (KG)</b>
Induction Module	30 (14)
Electric Module	30 (14)
Steamer Module	40 (18)
Fryer Module	30 (14)
Grill Module	50 (23)
Teppanyaki Module	41 (19)
Gas Module	30 (14)
Multifunction Module	30 (14)

---

<b>COFFEE SYSTEM</b>	<b>LB (KG)</b>
24" Coffee System	80 (36)

## SHIPPING WEIGHT

### Wolf Product Shipping Weight

#### SHIPPING WEIGHT

	LB (KG)
<b>DUAL FUEL RANGE</b>	
30" Range	325 (147)
36" Range	445–470 (202–213)
48" Range	665–750 (302–340)
60" Range	875–950 (397–431)
<b>GAS RANGE</b>	
30" Range	325 (147)
36" Range	445–470 (202–213)
48" Range	650–750 (295–340)
60" Range	875–950 (397–431)
<b>INDUCTION RANGE</b>	
30" Range	325 (147)
36" Range	470 (213)
<b>SEALED BURNER RANGETOP</b>	
30" Rangetop	160 (73)
36" Rangetop	190–220 (86–100)
48" Rangetop	240–280 (109–127)
<b>OUTDOOR GRILL/MODULE</b>	
30" Grill	216 (98)
36" Grill	247 (112)
42" Grill	270 (122)
54" Grill	350 (159)
Side Burner	50 (23)
Burner Module	50 (23)

#### SHIPPING WEIGHT

	LB (KG)
<b>COOKTOP VENTILATION</b>	
30" Wall Hood	53–85 (24–39)
36" Wall Hood	57–100 (26–45)
45" Wall Hood	62 (28)
42" Island Hood	92–110 (42–50)
45" Island Hood	92 (42)
<b>CEILING-MOUNTED HOOD</b>	
36" Hood	61 (28)
48" Hood	65 (29)
<b>UNDER-CABINET HOOD INSERT</b>	
24" Hood Insert	20 (9)
30" Hood Insert	25 (11)
<b>DOWNDRAFT VENTILATION</b>	
30" Downdraft	75 (34)
36" Downdraft	80 (36)
45" Downdraft	85 (39)
<b>PRO VENTILATION</b>	
Low-Profile Wall Hood	39–55 (18–25)
24" Deep Wall Hood	84–148 (38–67)
27" Deep Wall Hood	92–163 (42–74)
Wall Chimney Hood	78–106 (35–48)
Island Hood	95–168 (43–76)
Hood Liner	39–65 (18–29)
Outdoor Wall Hood	121–180 (55–82)

Sub-Zero, Sub-Zero & Design, Sub-Zero & Snowflake Design, Dual Refrigeration, The Living Kitchen, Great American Kitchens The Fine Art of Kitchen Design, Wolf, Wolf & Design, Wolf Gourmet, W & Design, red colored knobs, Cove, and Cove & Design are registered trademarks and service marks of Sub-Zero Group, Inc. and its subsidiaries. All other trademarks are property of their respective owners in the United States and other countries.

## Wolf Appliance Residential Limited Warranty

FOR RESIDENTIAL USE

### FULL TWO YEAR WARRANTY\*

For two years from the date of original installation, this Wolf Appliance product warranty covers all parts and labor to repair or replace, under normal residential use, any part of the product that proves to be defective in materials or workmanship. All service provided by Wolf Appliance under the above warranty must be performed by Wolf Factory Certified Service, unless otherwise specified by Wolf Appliance, Inc. Service will be provided during normal business hours.

### LIMITED FIVE YEAR WARRANTY

For five years from the date of original installation, Wolf Appliance will repair or replace the following parts that prove to be defective in materials or workmanship: gas burners (excludes appearance), electric heating elements, blower motors (ventilation hoods), electronic control boards, magnetron tubes and induction generators. If the owner uses Wolf Factory Certified Service, the service provider will repair or replace these parts with the owner paying for all other costs, including labor. If the owner uses non-certified service, the owner must contact Wolf Appliance, Inc. (using the information below) to receive repaired or replacement parts. Wolf Appliance will not reimburse the owner for parts purchased from non-certified service or other sources.

### TERMS APPLICABLE TO EACH WARRANTY

The warranty applies only to products installed for normal residential use. The warranty applies only to products installed in any one of the fifty states of the United States, the District of Columbia or the ten provinces of Canada. This warranty does not cover any parts or labor to correct any defect caused by negligence, accident or improper use, maintenance, installation, service or repair.

THE REMEDIES DESCRIBED ABOVE FOR EACH WARRANTY ARE THE ONLY ONES THAT WOLF APPLIANCE, INC. WILL PROVIDE, EITHER UNDER THIS WARRANTY OR UNDER ANY WARRANTY ARISING BY OPERATION OF LAW. WOLF APPLIANCE, INC. WILL NOT BE RESPONSIBLE FOR ANY CONSEQUENTIAL OR INCIDENTAL DAMAGES ARISING FROM THE BREACH OF THIS WARRANTY OR ANY OTHER WARRANTY, WHETHER EXPRESS, IMPLIED OR STATUTORY.

Some states do not allow the exclusion or limitation of incidental or consequential damages, so the above limitation or exclusion may not apply to you. This warranty gives you specific legal rights and you may also have other legal rights that vary from state to state.

To receive parts and/or service and the name of Wolf Factory Certified Service nearest you, contact Wolf Appliance, Inc., P.O. Box 44848, Madison, WI 53744; check the Support & Service section of our website, [wolfappliance.com](http://wolfappliance.com), email us at [customerservice@subzero.com](mailto:customerservice@subzero.com) or call 800-222-7820.

\*Stainless steel (doors, panels, handles, product frames and interior surfaces) are covered by a limited 60-day parts and labor warranty for cosmetic defects.

\*Replacement filters for ventilation hood recirculating kits are not covered by the product warranty.



## Wolf Appliance Outdoor Limited Warranty\*

FOR RESIDENTIAL USE

### FULL ONE YEAR WARRANTY\*\*

For one year from the date of original installation, this Wolf Appliance product warranty covers all parts and labor to repair or replace, under normal residential use, any part of the product that proves to be defective in materials or workmanship. All service provided by Wolf Appliance under the above warranty must be performed by Wolf Factory Certified Service, unless otherwise specified by Wolf Appliance, Inc. Service will be provided during normal business hours.

### LIMITED FIVE YEAR WARRANTY

For five years from the date of original installation, Wolf Appliance will repair or replace the following parts that prove to be defective in materials or workmanship: stainless steel briquette trays, gas valves, drip pans, electronic control boards and electric heating elements. If the owner uses Wolf Factory Certified Service, the service provider will repair or replace these parts with the owner paying for all other costs, including labor. If the owner uses non-certified service, the owner must contact Wolf Appliance, Inc. (using the information below) to receive repaired or replacement parts. Wolf Appliance will not reimburse the owner for parts purchased from non-certified service or other sources.

### LIMITED LIFETIME WARRANTY

For the life of the product, Wolf Appliance will repair or replace the following parts that prove to be defective in materials or workmanship: all stainless steel components (excludes surface corrosion, scratches, discoloration, weather and atmospheric related staining and minor surface rust and oxidation). If the owner uses Wolf Factory Certified Service, the service provider will repair or replace these parts with the owner paying for all other costs, including labor. If the owner uses non-certified service, the owner must contact Wolf Appliance, Inc. (using the information below) to receive repaired or replacement parts. Wolf Appliance will not reimburse the owner for parts purchased from non-certified service or other sources.

### TERMS APPLICABLE TO EACH WARRANTY

The warranty applies only to products installed for normal residential use. The warranty applies only to products installed in any one of the fifty states of the United States, the District of Columbia or the ten provinces of Canada. This warranty does not cover any parts or labor to correct any defect caused by negligence, accident or improper use, maintenance, installation, service or repair.

**THE REMEDIES DESCRIBED ABOVE FOR EACH WARRANTY ARE THE ONLY ONES THAT WOLF APPLIANCE, INC. WILL PROVIDE, EITHER UNDER THIS WARRANTY OR UNDER ANY WARRANTY ARISING BY OPERATION OF LAW. WOLF APPLIANCE, INC. WILL NOT BE RESPONSIBLE FOR ANY CONSEQUENTIAL OR INCIDENTAL DAMAGES ARISING FROM THE BREACH OF THIS WARRANTY OR ANY OTHER WARRANTY, WHETHER EXPRESS, IMPLIED OR STATUTORY.**

Some states do not allow the exclusion or limitation of incidental or consequential damages, so the above limitation or exclusion may not apply to you. This warranty gives you specific legal rights and you may also have other legal rights that vary from state to state.

To receive parts and/or service and the name of Wolf Factory Certified Service nearest you, contact Wolf Appliance, Inc., P.O. Box 44848, Madison, WI 53744; check the Support & Service section of our website, [wolfappliance.com](http://wolfappliance.com), email us at [customerservice@subzero.com](mailto:customerservice@subzero.com) or call 800-222-7820.

\*Product must be approved for outdoor use, designated by model and serial number.

\*\*Stainless steel (doors, panels, handles, product frames and interior surfaces) are covered by a limited 60-day parts and labor warranty for cosmetic defects.





[WOLFAPPLIANCE.COM](http://WOLFAPPLIANCE.COM)