

# DVE50T5300C

SAMSUNG

## Samsung Top Load Electric Dryer with Sensor Dry

7.4 cu. ft. Capacity DOE



### Signature Features

#### Sensor Dry

- Automatically optimizes the time and temperature of your drying cycle to protect your clothes from heat damage, while avoiding excessive energy use.

#### 10 Preset Drying Cycles

- More cycles to cover almost every drying need for your active family.

#### Reversible Dryer Door

- Choose the direction your dryer door opens to better ensure your dryer will fit in your laundry space.

### Available Color



Champagne



Sensor Dry



Reversible Dryer Door

### Features

- Sensor Dry
- 10 Preset Drying Cycles
- Reversible Dryer Door
- Smart Care<sup>1</sup>
- Interior Drum Light
- Accessibility (AUI, Braille)
- 9 Additional Drying Options
- 5 Temperature Levels
- Wrinkle Prevent
- 4-Way Venting
- Powder Coat Interior
- 7.4 cu. ft. Capacity
- LED Display: Ice Blue

### Convenience

- Child Lock
- Lint Filter Indicator

### Rating

644 kWh/yr

<sup>1</sup> Requires Samsung Smart Washer/Dryer App. The Samsung Smart Washer/Dryer app supports Android OS 2.3.6 or later and iOS 3 or later for iPhone models. Smart Washer/Dryer app available in App Store and Play Store.

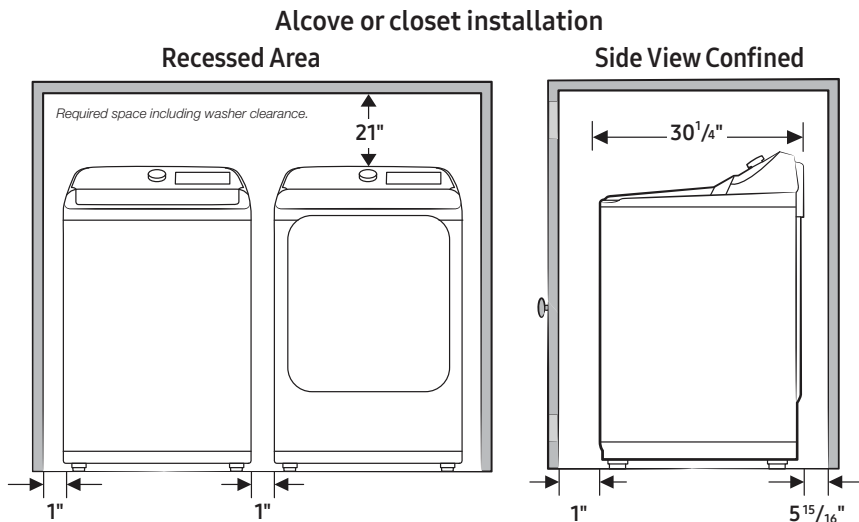
# DVE50T5300C

# SAMSUNG

## Samsung Top Load Electric Dryer with Sensor Dry

7.4 cu. ft. Capacity DOE

### Installation Specifications



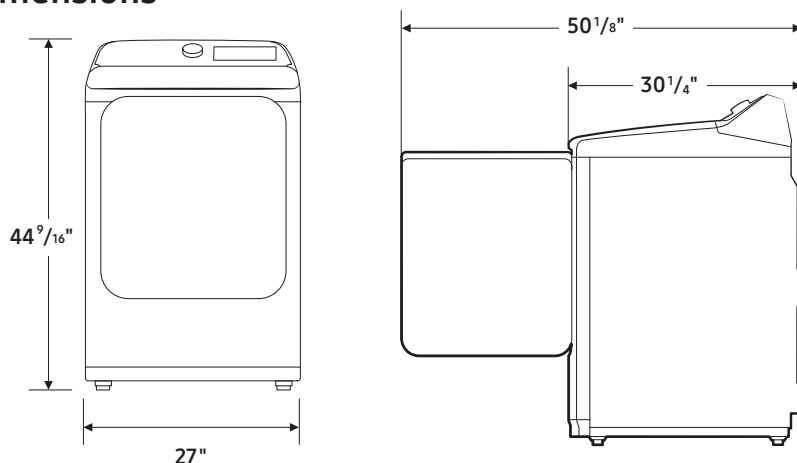
#### Minimum clearances for closets and alcoves:

Sides – 1"  
Top – 21"  
Rear – 5<sup>15</sup>/<sub>16</sub>"  
Closet Front – 1"

If both the washer and a dryer are installed in the same location, the front of the alcove or closet must have two unobstructed air openings for a combined minimum total area of 72-inch<sup>2</sup>. This clearance requirement is applicable for washers only.

For dryer's clearance requirement, see the dryer's user manual.

### Dimensions



#### 4-Way Venting

#### 10 Preset Drying Cycles:

Normal, Heavy Duty, Permanent Press, Bedding, Delicates, Sanitize, Time Dry, Air Fluff, Quick Dry, Wrinkle Release

#### 9 Additional Drying Options:

Damp Alert, Wrinkle Prevent, Adjust Time (Up), Adjust Time (Down), Child Lock, Alarm Off, Eco Dry, Smart Care, Drum Light

#### 5 Temperature Levels:

High, Medium High, Medium, Medium Low, Low

#### 5 Dry Levels:

More Dry, Normal-More Dry, Normal Dry, Normal-Less Dry, Less Dry

#### Warranty

One (1) Year Parts and Labor

#### Product Dimensions & Weight (WxHxD)

Dimensions: 27" x 44<sup>9</sup>/<sub>16</sub>" x 30<sup>1</sup>/<sub>4</sub>"  
Weight: 119.0 lbs

#### Shipping Dimensions & Weight (WxHxD)

Dimensions: 29<sup>9</sup>/<sub>16</sub>" x 46<sup>15</sup>/<sub>16</sub>" x 31<sup>3</sup>/<sub>16</sub>"  
Weight: 125.7 lbs

Electric	Model #	UPC Code
Champagne	DVE50T5300C	887276399331

Gas	Model #	UPC Code
Champagne	DVG50T5300C	887276399300

Matching Washer	Model #	UPC Code
Champagne	WA50T5300AC	887276399317

Accessories	Model #	UPC Code
Vent Kit	DV-2A	887276146416