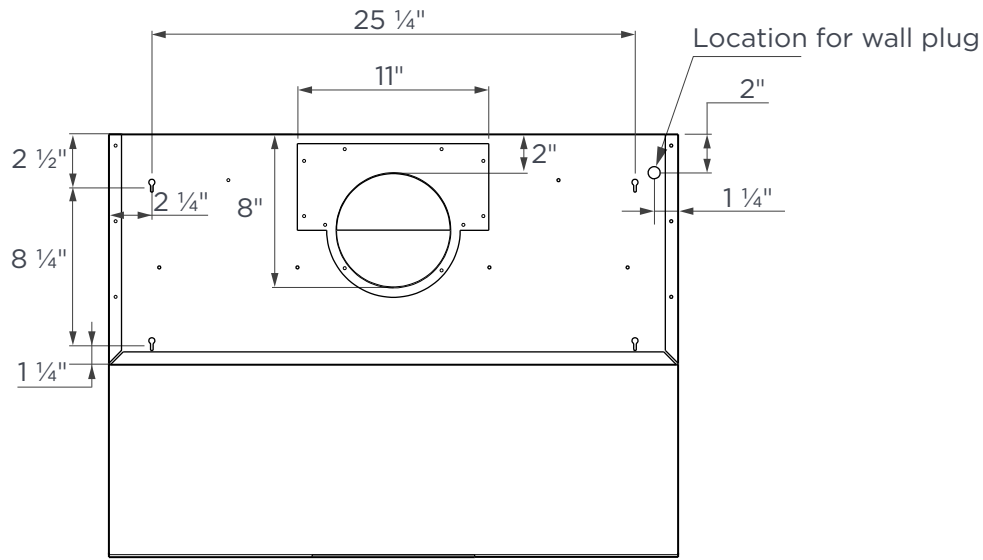
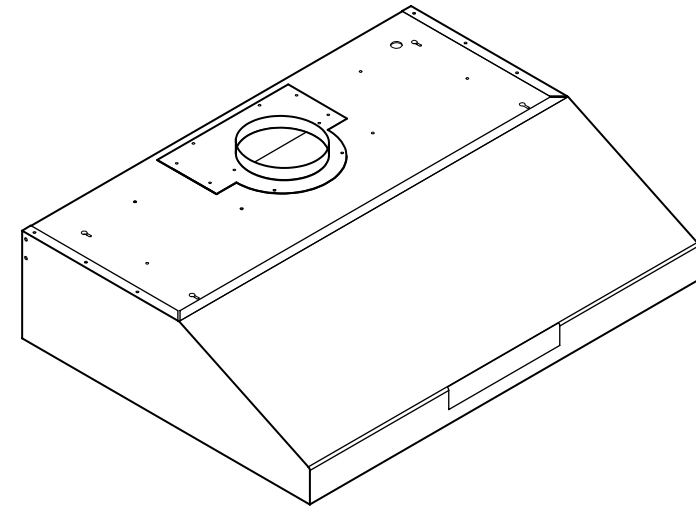


30"

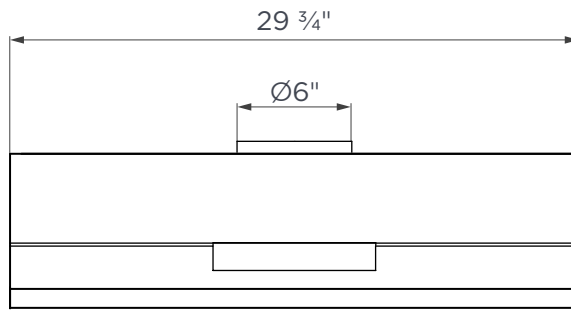
TECHNICAL DRAWING



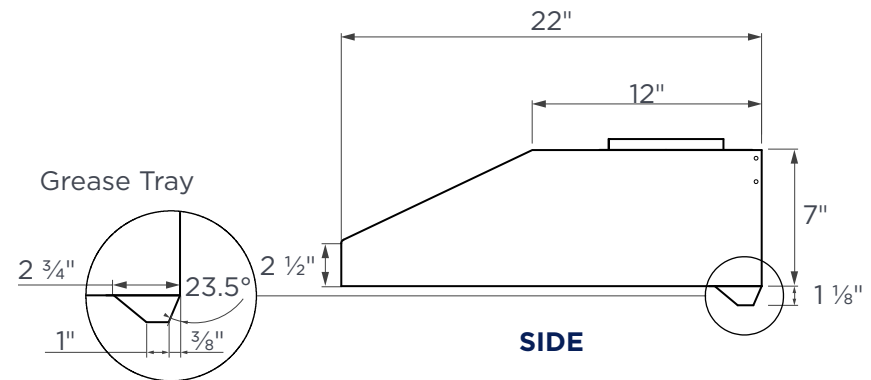
TOP



TOP ROUND EXHAUST ADAPTER



FRONT

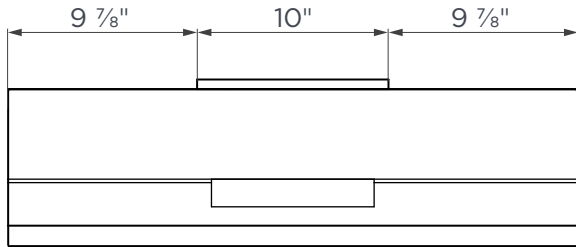


SIDE

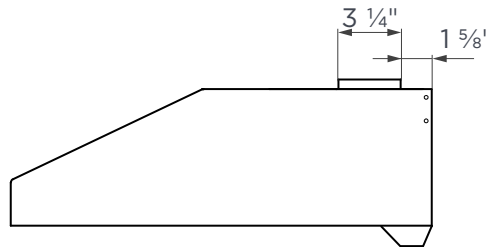
NOTE: All dimensions in Inches unless otherwise specified. Dimensions in this technical drawing may vary by $\pm 1/16$ " (2mm). For detailed installation steps, refer to the user manual. Complete installation instructions and specifications can be found at hauslane.com.

30"

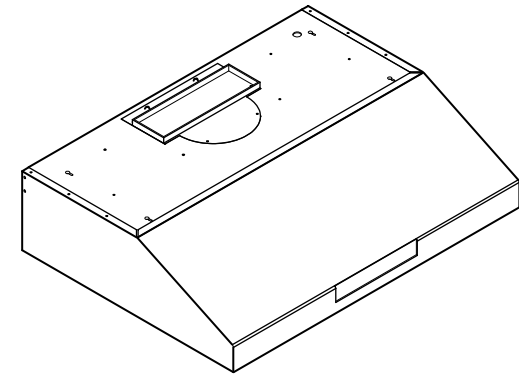
TECHNICAL DRAWING



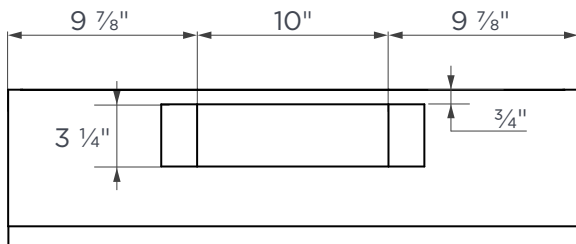
FRONT



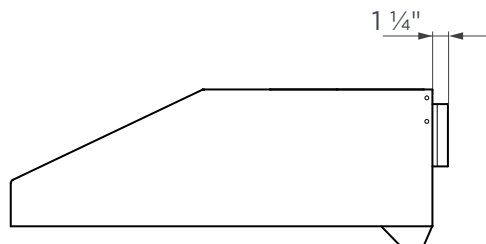
SIDE



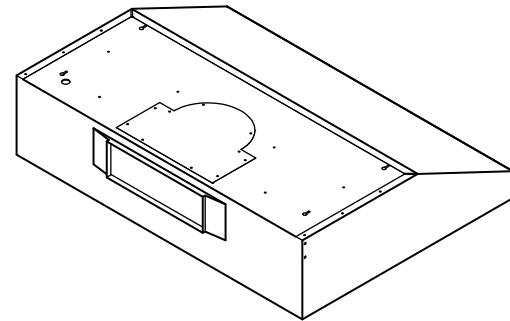
TOP RECTANGULAR EXHAUST ADAPTER



REAR



SIDE

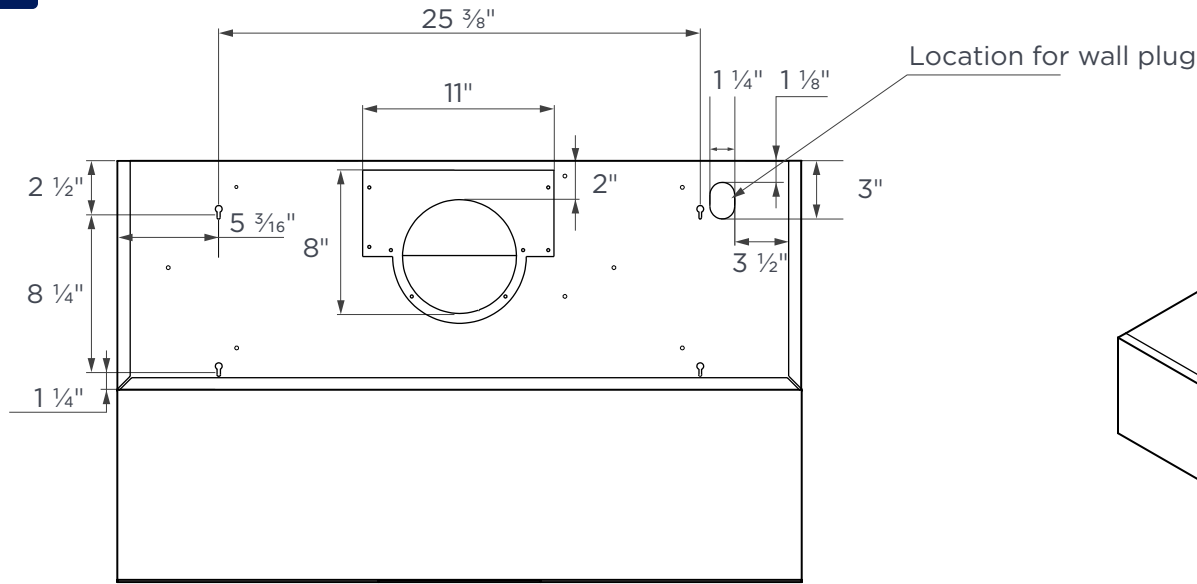


REAR RECTANGULAR EXHAUST ADAPTER

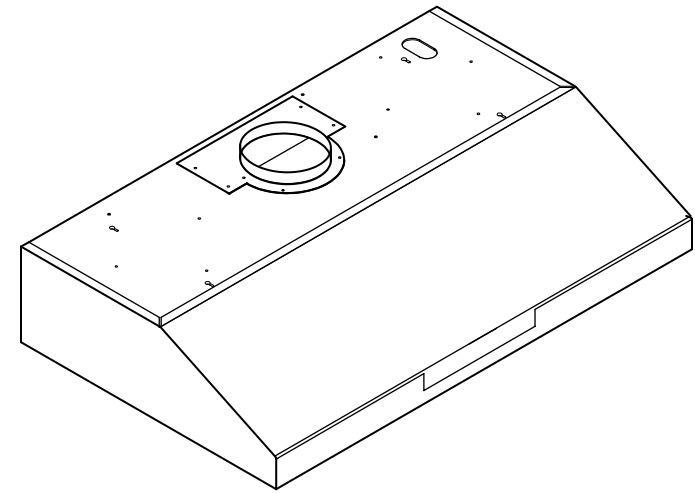
NOTE: All dimensions in Inches unless otherwise specified. Dimensions in this technical drawing may vary by $\pm 1/16"$ (2mm). For detailed installation steps, refer to the user manual. Complete installation instructions and specifications can be found at hauslane.com.

36"

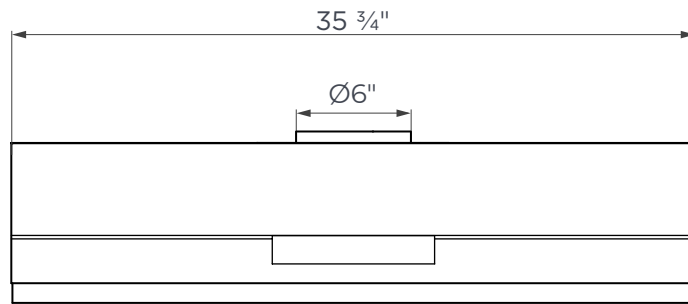
TECHNICAL DRAWING



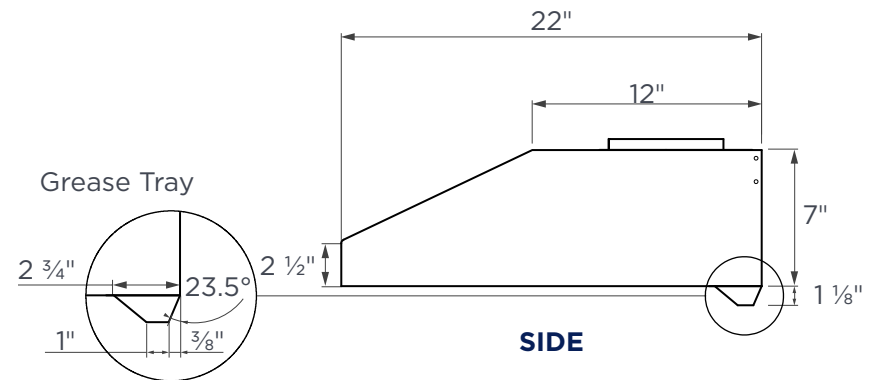
TOP



TOP ROUND EXHAUST ADAPTER



FRONT

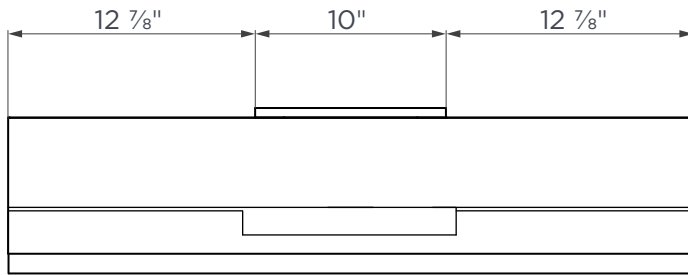


SIDE

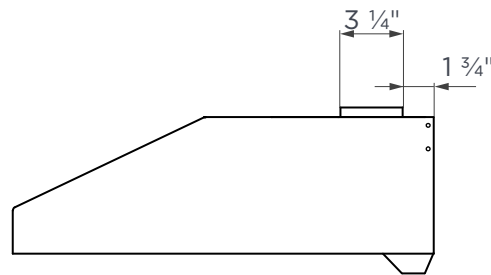
NOTE: All dimensions in Inches unless otherwise specified. Dimensions in this technical drawing may vary by ± 1/16" (2mm). For detailed installation steps, refer to the user manual. Complete installation instructions and specifications can be found at hauslane.com.

36"

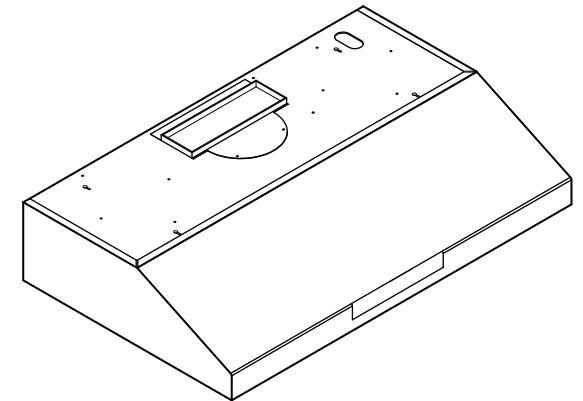
TECHNICAL DRAWING



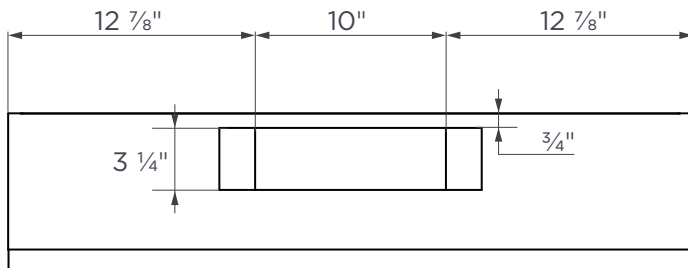
FRONT



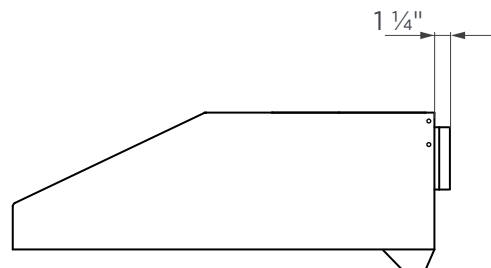
SIDE



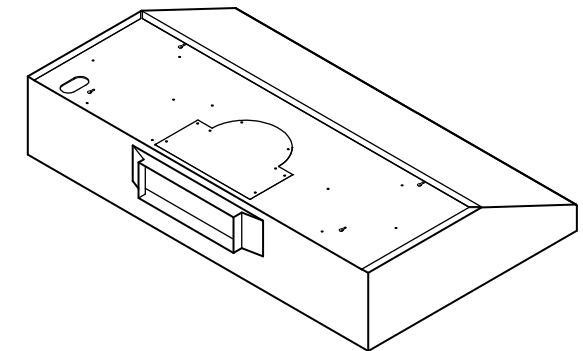
TOP RECTANGULAR EXHAUST ADAPTER



REAR



SIDE



REAR RECTANGULAR EXHAUST ADAPTER

NOTE: All dimensions in Inches unless otherwise specified. Dimensions in this technical drawing may vary by $\pm 1/16$ " (2mm). For detailed installation steps, refer to the user manual. Complete installation instructions and specifications can be found at hauslane.com.