

30" Wall Ventilation Hood

PUR 88 W



30" Wall Ventilation Hood

PUR 88 W



PUR 88 W

Features:

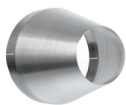
- Front mounted backlit controls
- LED ClearView lighting
- Stainless steel finish
- Polished stainless steel logo
- Automatic shut-off of intensive level, programmable for 10 minutes
- Removable dishwasher-safe stainless steel grease filter
- Four fan speeds (incl. intensive)

SPECIFICATIONS

PUR 88 W – Item 28428654USA

Overall Unit Width	26 ⁷ / ₁₆ " (748 mm)
Overall Unit Height - Vented	26 ¹⁵ / ₁₆ " (685 mm) - 39 ⁹ / ₁₆ " (1005 mm)
Overall Unit Height - Recirculated	32 ¹ / ₁₆ " (815 mm) - 44 ¹¹ / ₁₆ " (1135 mm)
Overall Unit Depth	19 ¹¹ / ₁₆ " (500 mm)
Fan	
Fan Speeds	4, Including Intensive setting
Maximum CFM	625 CFM, (Reducing Collar is available to reduce air flow to less than 400 CFM)
Duct	
Recommended Duct Diameter	6" (150 mm)
Electrical	
Electrical Requirements	120V, 60Hz, 15A
Power Cord	Molded NEMA 5-15 plug, 4' 11" (1.5 m)
Shipping	
Shipping Weight	-- lbs (-- kg)
Shipping Dimensions	--/-" W x --" H x --" D
Support	
Call Miele	(800) 999-1360
Miele Website	www.mieleusa.com
20/20 Link	2020technologies.com

Installation Accessories:



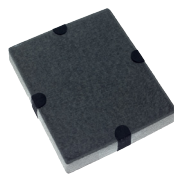
R2000

Reducing collar limits air flow to less than 400 CFM



DUW 20

Installation kit for recirculation mode



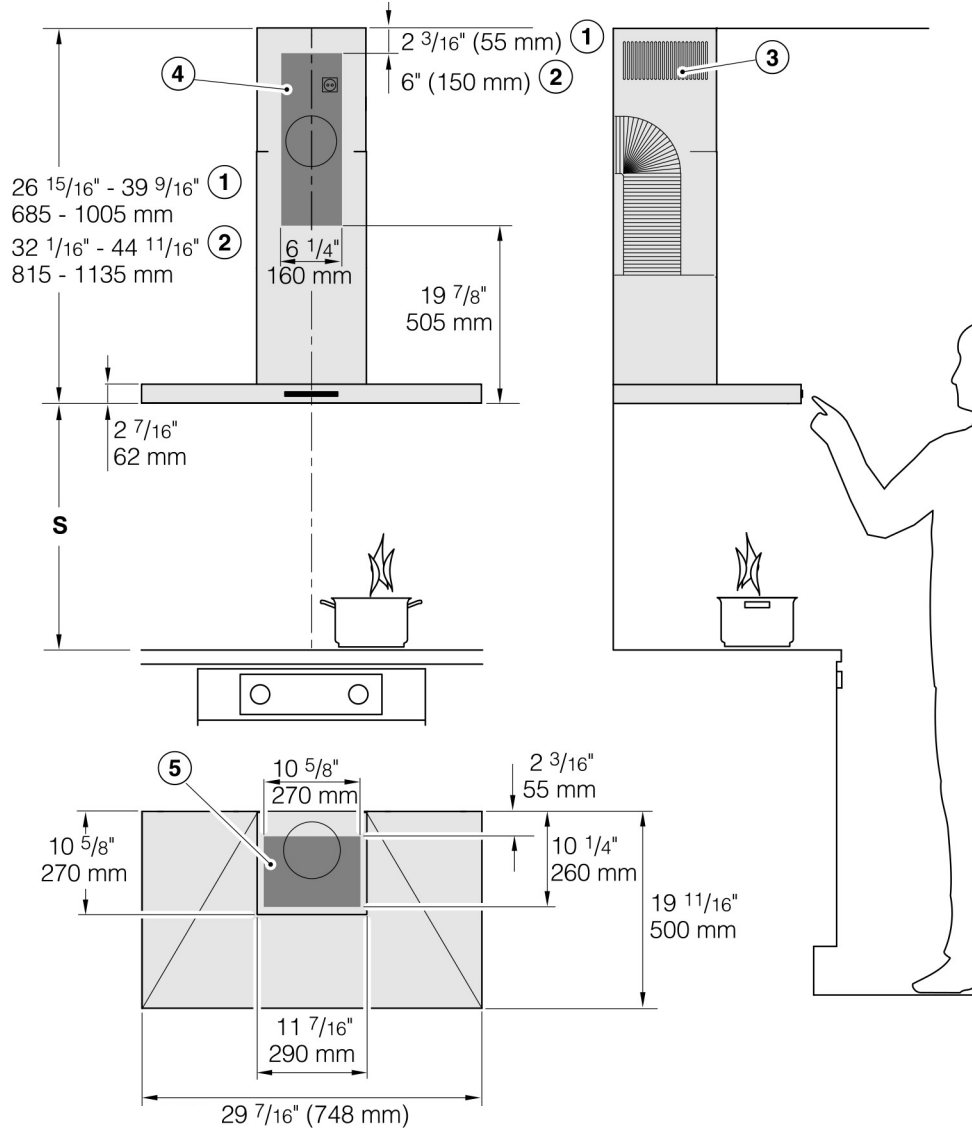
DKF12-900

OdorFree Charcoal filter required accessory for recirculation mode

30" Wall Ventilation Hood PUR 88 W



INSTALLATION SPECIFICATIONS



- ① Extraction
- ② Recirculation
- ③ Air vent positioned at top for recirculation
- ④⑤ Mounting area (only ④ is required for recirculation hoods). Wall and ceiling area for exhaust duct opening and for wall socket installation. Only the wall socket installation is required for recirculation hoods.

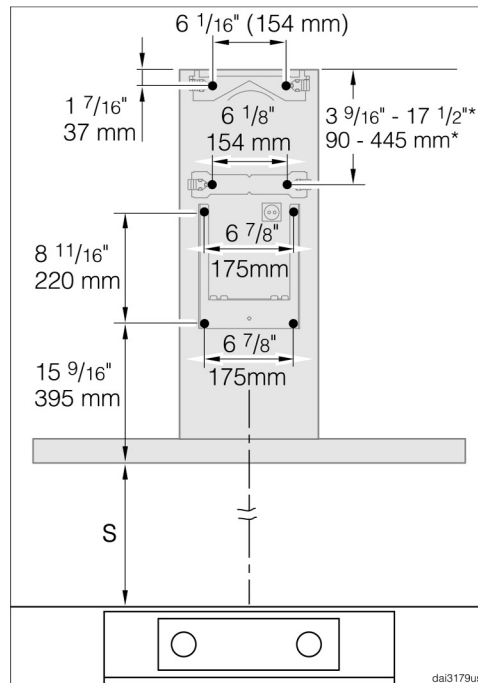
Vent collar \varnothing 6" (150 mm), with adapter \varnothing 5" (125 mm).

30" Wall Ventilation Hood PUR 88 W



INSTALLATION SPECIFICATIONS

Mounting Details



- Center unit over cooking surface
- Distances "S" is determined by the cooking surface. See "Distance between cooktop and hood (S)" dimensions.
- If studs are not available in the required locations, a plywood backing (min. 1/2" (13 mm)) **MUST** be used to reinforce support. Reinforcing material should be affixed to structural wall members. Failure to adequately support the weight as stated may result in the ventilation system falling off the wall, causing personal injury and property damage.

30" Wall Ventilation Hood

PUR 88 W



INSTALLATION SPECIFICATIONS

Distance Between Cooktop and Ventilation Hood (S)

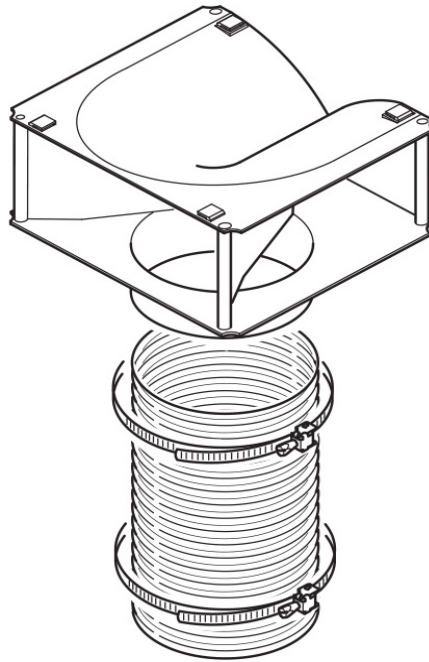
Provided a larger distance is not given by the manufacturer of the cooktop, follow the minimum safety distances between a cooktop and the bottom of the hood. Please also observe the information contained in the "IMPORTANT SAFETY INSTRUCTIONS" section.

Cooking appliance	Minimum distance S	
	Miele appliance	Non-Miele appliance
Electric Cooktops	24" (610 mm)	
Electric Barbeques and Fryers	26" (660 mm)	
Multiburner Gas Cooktops ≤ 43,000 BTU/hr (12.6 kW), no burner > 15,000 BTU/hr (4.5 kW).	26" (660 mm)	30" (760 mm)
Multiburner Gas Cooktops ≤ 73,800 BTU/hr (21.6 kW), no burner > 16,500 BTU/hr (4.8 kW)	30" (760 mm)	
Multiburner Gas Cooktops > 73,800 BTU/hr (21.6 kW), or one of the burners > 16,500 BTU/hr (4.8 kW)	Not possible	
Single Burner Gas Cooktops ≤ 20,500 BTU/hr (6 kW)	26" (660 mm)	30" (760 mm)
Single Burner Gas Cooktops > 20,500 BTU/hr (6 kW) ≤ 27,600 BTU/hr (8.1 kW)	30" (760 mm)	
Single Burner Gas Cooktops > 27,600 BTU/hr (8.1 kW)	Not possible	

30" Wall Ventilation Hood PUR 88 W



INSTALLATION SPECIFICATIONS Recirculation Kit DUW 20

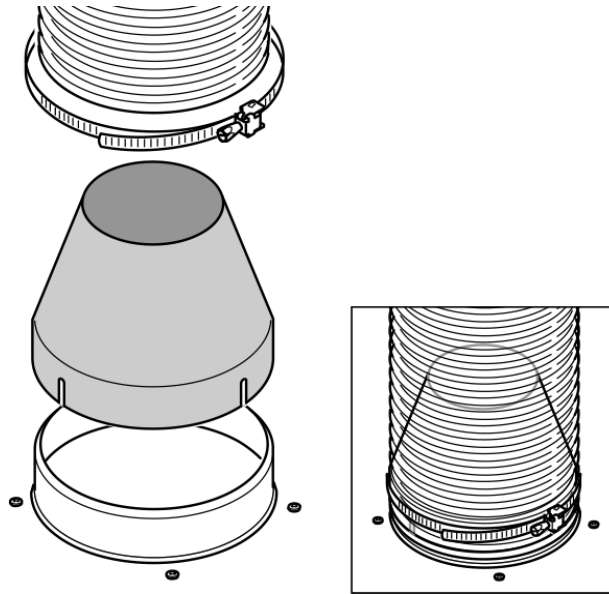


For Recirculation mode conversion kit DUW 20 is required.

30" Wall Ventilation Hood PUR 88 W



Reducing Collar (Optional Accessory)



If you would like to reduce the environmental impact of your ventilation system by limiting the CFM output the Reducing Collar can be installed. It reduces the air flow to less than 400 CFM. Check local building codes for maximum CFM requirements.