

DV56H9000EP

Samsung Top-Load Electric Dryer

9.5 cu. ft. Capacity DOE

Features

- Largest Capacity
- Eco Dry
- Steam Drying Technology:
 - Steam Refresh
 - Steam Wrinkle Away
- Vent Sensor™
- Smart Care
- Stainless Steel Drum
- Interior Drum Light
- 15 Preset Drying Cycles
- 11 Options
- 5 Temperature Settings
- 4-Way Venting
- Sensor Dry – Detects Moisture and Adjusts Drying Time
- Drying Rack
- Reversible See-Through Door

Convenience

- Child Lock
- Filter Check Indicator



9.5 cu. ft. Capacity



Eco Dry

Available Colors



Platinum



White

Signature Features

9.5 CU. FT. CAPACITY

- 3X the laundry, 1/3 of the time.*
- The world's largest dryer.
- Our biggest capacity lets you dry 4 laundry baskets in a single load.**

*Based on 3 standard loads of laundry (based on baskets) at 60 minutes each, total clean time is equal to 180 minutes which is equivalent to 1 load in the 9000.

**Based on USDOE/EPA listing.

ECO DRY

- 25% more energy savings*
- With Eco Dry save \$4,500 over the lifetime of the washer and dryer**

*Saves 25% of energy based on U.S. Department of Energy standard test.

**Compare to pre-2004 conventional top load.

SMART CARE

- Troubleshoot with your smartphone.
- Perform a quick diagnosis of your washer and dryer right from your smartphone.*

*Available for iPhone 4/4S/5/5S and Galaxy S1/S2/S3/S4 NOTE/NOTE2.



ENERGY STAR 2013 Emerging Technology Award

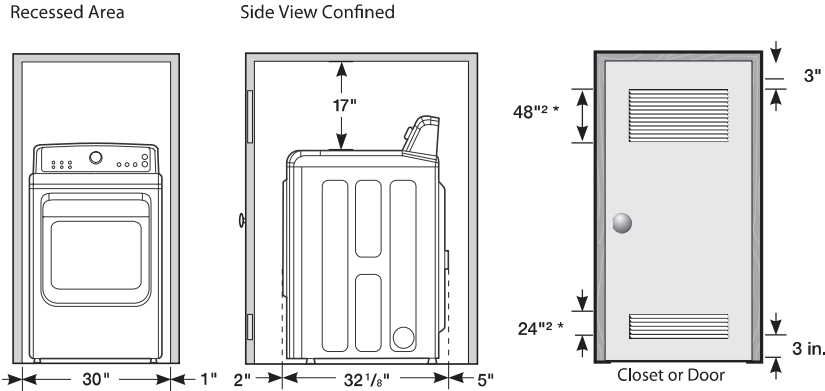
Awarded the U.S. Environmental Protection Agency's 2013 ENERGY STAR® Emerging Technology Award.

SAMSUNG

DV56H9000EP

Samsung Top-Load Electric Dryer

Installing Your Dryer



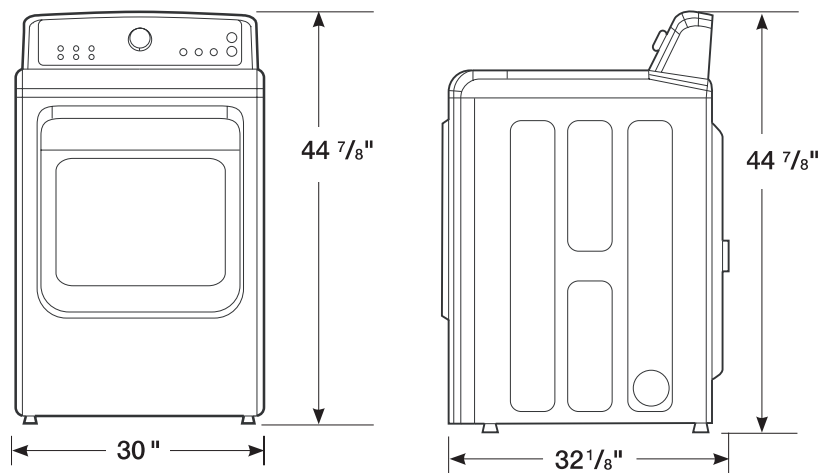
Minimum clearances for closets and alcove:

Sides - 1"
Top - 17"
Rear - 5"
Closet Front - 2"

If the washer and dryer are installed together, the closet front must have at least a 72 in² (465cm²) unobstructed air opening. Your washer alone does not require a specific air opening.

* Required spacing
** External exhaust elbow requires additional space.

Dimensions



9.5 cu. ft. Capacity DOE

4-Way Venting

15 Preset Dry Cycles:

Steam Refresh, Steam Wrinkle Away, Normal, Eco Normal, Heavy Duty, Towels, Permanent Press, Bedding, Delicates, Wool, Active Wear, Sanitize, Time Dry, Air Fluff, Quick Dry

11 Options:

Mixed Load Bell, Wrinkle Prevent, Rack Dry, Adjust Time, My Cycle, Child Lock, Sound On/Off, Anti-Static, Eco Dry, Smart Care, Drum Light

5 Temperature Settings:

High, Medium, Medium Low, Low, Extra Low

5 Dry Levels:

Very Dry, More Dry, Normal Dry, Less Dry, Damp Dry

2 Signal Level Settings:

On/Off

Warranty

One (1) Year All Parts and Labor
Two (2) Years Control Board

Product Dimensions & Weight (WxHxD)

Dimensions: 30" x 44 7/8" x 32 1/8"

Weight: 148 lbs

Shipping Dimensions & Weight (WxHxD)

Dimensions: 31 7/8" x 47 3/16" x 33 1/2"

Weight: 156 lbs

Electric	Model #	UPC Code
Platinum	DV56H9000EP	887276963457
White	DV56H9000EW	887276963471

Gas	Model #	UPC Code
Platinum	DV56H9000GP	887276963488
White	DV56H9000GW	887276963495

Matching Washer

Platinum	WA56H9000AP	887276963501
White	WA56H9000AW	887276963518

SAMSUNG

Actual color may vary. Design, specifications, and color availability are subject to change without notice. Non-metric weights and measurements are approximate.

The Emerging Technology award recognizes innovative products that have the potential to significantly reduce greenhouse gas emissions.

©2014 Samsung Electronics America, Inc. 85 Challenger Road, Ridgefield Park, NJ 07660. Tel: 800-SAMSUNG. samsung.com. Samsung is a registered trademark of Samsung Electronics Co. Ltd.