

Use and care
GUIDE

WD30W WD30WC SD30WC SDS30WC

Masterpiece® and Professional Series
Warming Drawer and Storage Drawer



Table of CONTENTS

▲ Safety Definitions	4
IMPORTANT SAFETY INSTRUCTIONS	5
Proper Installation and Maintenance	5
Fire Safety	5
Burn Prevention	5
Child Safety	6
Cookware Safety	6
Food Safety	6
State of California Proposition 65 Warning:	6
Getting to Know the Appliance	7
Storage Drawer Overview	7
Warming Drawer Overview	7
Control Panel	7
Operation	8
Food Safety	8
Setting the Warming Drawer	8
Sabbath Mode	8
Preheating the Warming Drawer	8
Warming Food	8
Warming Empty Serving Bowls and Plates	8
Proofing Dough	8
Crisping Stale Items	9
Warming Drawer Charts	9
Cleaning and Maintenance	10
Cleaning Chart	10
Removing the Drawer	10
Replacing the Drawer	10
Service	11
Rating Label-WD30W AND WD30WC	11
Data Plate-SDS30WC and SD30WC	11
Model Number and FD Number	11
STATEMENT OF LIMITED PRODUCT WARRANTY	12
What this Warranty Covers & Who it Applies to	12
How Long the Warranty Lasts	12
Repair/Replace as Your Exclusive Remedy	12
Out of Warranty Product	12
Warranty Exclusions	12
THERMADOR® Support	13
Service	13
Parts and Accessories	13

This THERMADOR Appliance is made by
 BSH Home Appliances Corporation
 1901 Main Street, Suite 600
 Irvine, CA 92614

Questions?

1-800-735-4328

www.thermador.com

We look forward to hearing from you!

Safety Definitions

WARNING

This indicates that death or serious injuries may occur as a result of non-observance of this warning.

CAUTION

This indicates that minor or moderate injuries may occur as a result of non-observance of this warning.

NOTICE: This indicates that damage to the appliance or property may occur as a result of non-compliance with this advisory.

Note: This alerts you to important information and/or tips.

IMPORTANT SAFETY INSTRUCTIONS

READ AND SAVE THESE INSTRUCTIONS

WARNING

When properly cared for, your new appliance has been designed to be safe and reliable. Read all instructions carefully before use. These precautions will reduce the risk of burns, electric shock, fire, and injury to persons. When using kitchen appliances, basic safety precautions must be followed, including those in the following pages.

Proper Installation and Maintenance

Have the installer show you the location of the circuit breaker or fuse. Mark it for easy reference.

This appliance must be properly installed and grounded by a qualified technician. Connect only to properly grounded outlet. Refer to Installation Instructions for details.

This appliance is intended for normal family household use only. It is not approved for outdoor use. See the Statement of Limited Product Warranty. If you have any questions, contact the manufacturer.

Do not store or use corrosive chemicals, vapors, flammables or nonfood products in or near this appliance. It is specifically designed for use when heating or cooking food. The use of corrosive chemicals in heating or cleaning will damage the appliance and could result in injury.

Do not operate this appliance if it is not working properly, or if it has been damaged. Contact an authorized servicer.

Do not repair or replace any part of the appliance unless specifically recommended in this manual. Refer all servicing to an authorized servicer.

Fire Safety

If materials inside an oven or warming drawer should ignite, keep door closed. Turn off the appliance and disconnect the circuit at the fuse or circuit breaker panel.

To reduce the risk of fire, do not store anything in the warming drawer (such as groceries, bags, etc.) which could cause fire if the drawer is turned on.

WARNING

Use this appliance only for its intended use as described in this manual. NEVER use this appliance as a space heater to heat or warm the room. Doing so may result in overheating the appliance. Never use the appliance for storage.

Always have a working smoke detector near the kitchen. In the event that personal clothing or hair catches fire, drop and roll immediately to extinguish flames.

Have an appropriate fire extinguisher available, nearby, highly visible and easily accessible near the appliance. Smother flames from food fires other than grease fires with baking soda. Never use water on cooking fires.

WARNING

TO REDUCE THE RISK OF INJURY TO PERSONS IN THE EVENT OF A GREASE FIRE, OBSERVE THE FOLLOWING:

- a. **SMOTHER FLAMES** with a close-fitting lid, cookie sheet, or metal tray, then turn off the burner. **BE CAREFUL TO PREVENT BURNS.** If the flames do not go out immediately, **EVACUATE AND CALL THE FIRE DEPARTMENT.**
 - b. **NEVER PICK UP A FLAMING PAN** – You may be burned.
 - c. **DO NOT USE WATER**, including wet dishcloths or towels – a violent steam explosion will result.
 - d. Use an extinguisher **ONLY** if:
 - You know you have a Class ABC extinguisher, and you already know how to operate it.
 - The fire is small and contained in the area where it started.
 - The fire department is being called.
 - You can fight the fire with your back to an exit.
-

Burn Prevention

Exercise caution when opening the appliance. Standing to the side, open the door (or drawer) slowly and slightly to let hot air and/or steam escape. Keep your face clear of the opening and make sure there are no children or pets near the unit. After the release of hot air and/or steam, proceed with your cooking. Keep doors shut unless necessary for cooking or cleaning purposes. Do not leave open doors unattended.

Do not touch interior surface of the drawer while it is in use. The interior of the drawer could become hot enough to cause burns. Allow drawer and rack (if equipped) to cool before handling.

Do not heat or warm unopened food containers. Build-up of pressure may cause the container to burst and cause injury.

Always use dry potholders. Moist or damp potholders on hot surfaces may result in burns from steam. Do not let potholder touch hot heating elements. Do not use a towel or other bulky cloth.

Secure all loose garments, etc. before beginning. Tie long hair so that it does not hang loose, and do not wear loose fitting clothing or hanging garments, such as ties, scarves, jewelry, or dangling sleeves.

IMPORTANT SAFETY INSTRUCTIONS

READ AND SAVE THESE INSTRUCTIONS

Child Safety

When children become old enough to use the appliance, it is the responsibility of the parents or legal guardians to ensure that they are instructed in safe practices by qualified persons.

Do not allow anyone to climb, stand, lean, sit, or hang on any part of an appliance, especially a door, warming drawer, or storage drawer. This can damage the appliance, and the unit may tip over, potentially causing severe injury.

Do not allow children to use this appliance unless closely supervised by an adult. Children and pets should not be left alone or unattended in the area where the appliance is in use. They should never be allowed to play in its vicinity, whether or not the appliance is in use.

WARNING

Items of interest to children should not be stored in an appliance, in cabinets above an appliance or on the backsplash. Children climbing on an appliance to reach items could be seriously injured.

Cookware Safety

CAUTION

Plastic containers or plastic wrap can melt if in direct contact with the drawer or a hot utensil. If it melts onto the drawer, it may not be removable.

Food Safety

CAUTION

To maintain food safety, follow these guidelines:

Notes

- DO NOT use the warming drawer to heat cold food (exception: it is safe to use the drawer to crisp crackers, chips or dry cereal and to warm plates.)
 - Be sure to maintain proper food temperature. The USDA recommends holding hot food at 140°F or warmer.
 - DO NOT warm food for longer than one hour.
-

State of California Proposition 65 Warning:

WARNING

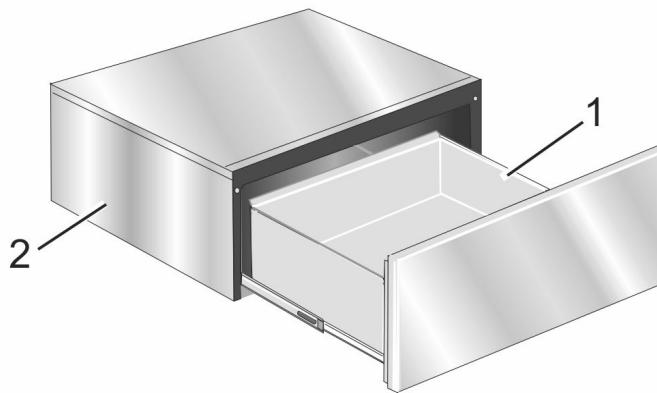
This product can expose you to chemicals including vinyl chloride, which is known to the State of California to cause cancer and birth defects or other reproductive harm. For more information go to www.P65Warnings.ca.gov.

Getting to Know the Appliance

This section outlines and describes the features, indicators and controls of the appliance. You will also find information on the various functions of your appliance.

Note: Depending on the appliance model, individual details and colors may differ.

Storage Drawer Overview

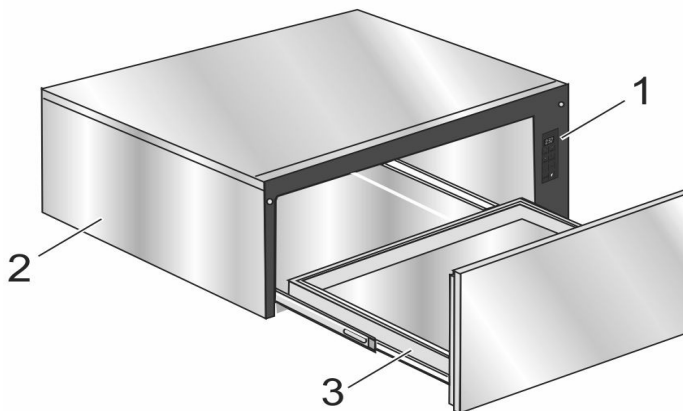


1	Drawer
2	Storage Drawer Housing

Push to Open Feature (PTO)

The storage drawer has a Push to Open (PTO) feature. Open the drawer fully by lightly pushing the drawer front in 4 to 5 mm. The drawer will automatically open about 4 to 5 inches and can then be pulled open.

Warming Drawer Overview



1	Control Panel
2	Warming Drawer Housing
3	Drawer

Push to Open Feature (PTO)

The warming drawer has a Push to Open (PTO) feature. Open the drawer fully by lightly pushing the drawer front in 4 to 5 mm. The drawer will automatically open about 4 to 5 inches and can then be pulled fully open.

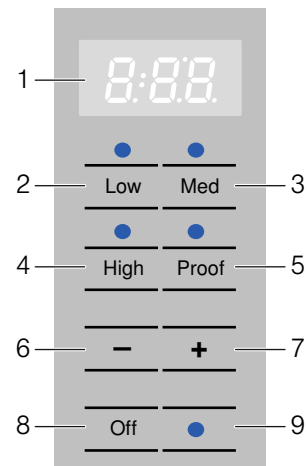
EZ Close Feature

The warming drawer has an EZ Close feature which engages when the drawer is slightly pushed closed.

Control Panel

The control panel has several touchpads that respond to light pressure. Touch the center of the touchpad to activate it. The temperature pads control the drawer bottom temperature.

The control panel emits a beep when an entry is made. The warming timer beeps when the specified amount of time has elapsed.



Location	Touch Button	Function
1	Display	Displays the current drawer temperature.
2	LOW	140° F
3	MED	165° F
4	HIGH	190° F
5	PROOF	100° F
6	-	Press to decrease time.
7	+	Press to increase time.
8	ON OFF	Switches the warming drawer on and off.
9	● Signal light	Indicates which setting is in use.

Operation

The warming drawer will keep hot, cooked foods at serving temperature. Always start with hot food. DO NOT use to heat cold food other than proofing yeast dough, crisping crackers, chips, dry cereal, warming breads and biscuits, or warming dishes or plates.

The Warming Drawer has a push-to-open feature. Push in on the front of the drawer to cause the drawer to open.

Food Safety

▲ CAUTION

To maintain food safety, follow these guidelines:

Notes

- DO NOT use the warming drawer to heat cold food (exception: it is safe to use the drawer to crisp crackers, chips or dry cereal and to warm plates.)
- Be sure to maintain proper food temperature. The USDA recommends holding hot food at 140°F or warmer.
- DO NOT warm food for longer than one hour.

Setting the Warming Drawer

Press ON | OFF to turn the warming drawer on. The warming timer can be set for any increment of 5 minutes. The minimum time is 5 minutes and the maximum time is 5 hours.

Note: The warming timer default is 1 hour.

Changing the Warming Timer

Use the + and - pads to change the warming timer.

Time elapsed

When the time is elapsed, the control panel beeps and the drawer automatically turns off.

Turning the Warming Drawer Off

Press ON | OFF to turn the warming drawer off.

Sabbath Mode

The Sabbath feature enables those of particular faiths to use their warming drawer on the Sabbath.

- The warming drawer is set to run for 74 hours before automatically turning off.
- While operating in Sabbath Mode, the display will show **SAb**.
- The warming drawer time and temperature cannot be changed once the Sabbath Mode is set.
- Press **ON|OFF** at any time during Sabbath Mode to end the mode and turn off the appliance.

Setting the Sabbath Mode Feature

Press **MED** for 5 seconds.

Once the Sabbath Mode is set, all buttons are disabled except the **ON|OFF** button, used to cancel the mode.

Note: Only the **MED** temperature can be used while in the Sabbath Mode.

Preheating the Warming Drawer

Preheat the warming drawer when warming food. For best results, preheat for the following times:

Setting	Preheat Time
LOW	10 minutes
MED	15 minutes
HIGH	20 minutes
PROOF	No preheating necessary

Warming Food

1. Press ON | OFF to turn on the warming drawer.
2. Press the button for the desired temperature.
3. Preheat warming drawer.
4. Set the timer if desired.
5. Place cooked, hot food in the drawer and push to close.

It is okay to leave food in the cookware it was prepared. Alternatively, you can transfer food to a heat-safe serving dish before placing it in the warming drawer. Aluminum foil or lid may be used to cover food.

Warming Empty Serving Bowls and Plates

- Use only heat-safe dishes.
- Warm on low setting for cooking containers.
- Check dish temperature during warming period.
- Place empty plates or dishes in a cold warming drawer. Do not preheat drawer prior to placing dishes.

1. Press **Low**.
2. Set the warming timer.

Proofing Dough

Place dough in desired dish in a cold warming drawer and lightly oil top of dough. Loosely cover with cloth.

1. Press **PROOF**.
2. Set the warming timer.
3. Check dough height. Add time as needed.

Crisping Stale Items

Place food in low sided dishes or pans.

1. Press LOW.
2. Preheat for 5 minutes, then place dish in drawer.
3. Set the warming timer.
4. Check crispness after 45 minutes. Add time as needed.

Warming Drawer Charts

Food Category	Control Setting	Cover
Bacon	High	No
Beef: medium rare	Low	No
Beef: medium-well done	Medium	No
Bread, quick: hard rolls, soft rolls, coffee cakes, biscuits, and toast	Medium	Yes
Casserole	Medium	Yes
Cereal, cooked	Medium	Yes
Crisping: stale item	Low	No
Dough (to proof)	Proof	Yes
Eggs	High	Yes
Fried Foods	High	No
Gravy, cream sauce	Medium	Yes
Meats: ham, lamb and pork	Medium	Yes
Pies	Medium	No
Pizza	High	No
Potatoes, baked	High	Yes
Potatoes, mashed	Medium	Yes
Poultry, roasted	Medium	Yes
Seafood	Medium	Yes
Vegetables	Medium	Yes
Waffle / Pancakes	High	No
Plates	Low	No
Plate of food	Medium	Yes

Note : Preheat all cookware prior to inserting into the warming drawer. If the cookware has previously been used to prepare a dish, then no preheating is necessary.

Cleaning and Maintenance

With good care and cleaning, your appliance will retain its appearance and remain fully functional for a long time to come. How to correctly care for and clean your warming drawer or storage drawer is detailed below.

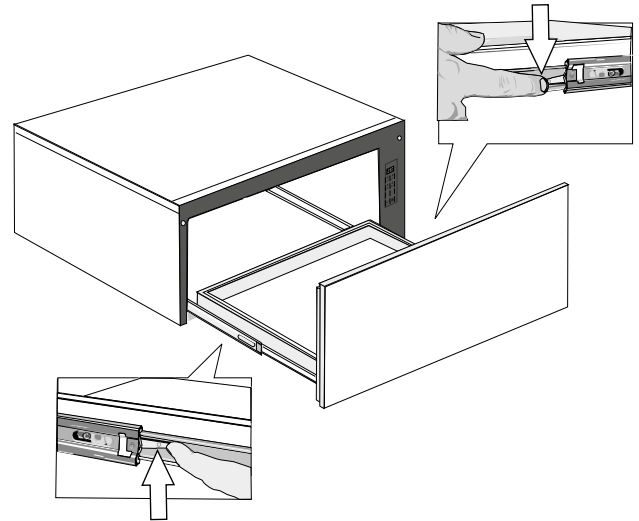
Cleaning Chart

Part	Recommendations
Drawer Interior (polished stainless steel)	Use dish detergent. Wash, rinse well and dry. For hard water spots or scale, use white vinegar. Apply with a sponge or cloth, rinse and dry.
Painted Surfaces	Use hot soapy water or mild cleaners such as Fantastik® or Formula 409®. Wash, rinse well and dry. Do not use abrasive cleaning agents, steel wool pads and oven cleaners.
Drawer Exterior Frame (brushed stainless steel)	Always wipe or rub in the direction of the grain. Clean with a soapy sponge, then rinse and dry, or wipe with Fantastik® or Formula 409® sprayed on a paper towel. Protect and polish with Stainless Steel Magic® and a soft cloth. Remove water spots with a cloth dampened with white vinegar. Use Bar Keeper's Friend® to remove heat discoloration.
Control Panel (warming drawer only)	Clean with hot soapy water or apply Fantastik® or Formula 409® to a clean sponge or paper towel and wipe clean. Do not use abrasive cleaners and scrubbing pads.

Removing the Drawer

⚠ CAUTION

To prevent burns, do not remove the drawer while hot. Be sure the drawer is empty before removing.



1. For **WD30W** warming drawer, pull drawer to fully open position.
2. For **WD30WC** warming drawer and **SD30WC** and **SDS30WC** storage drawers, slightly push drawer to the fully open position.
3. Press down on right drawer clip.
4. Lift up on left drawer clip.
5. Firmly pull the drawer straight out. Retract the cabinet rails while the drawer is removed.

If additional issues remain at this point, contact Customer Service.

Replacing the Drawer

1. Be sure cabinet rails are pushed inside the cabinet.
2. Align the drawer rails with the cabinet rails.
3. Firmly push the drawer straight into the cabinet until the drawer clicks in to place.
4. Open and close the drawer to test operation.

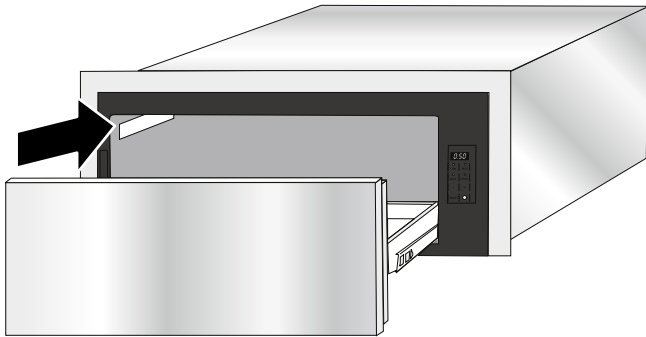
Note: If the drawer will not close, verify the rail clips are properly positioned.

Service

If the warming drawer elements or signal lights do not turn on, check the power source to see if the circuit breaker is tripped.

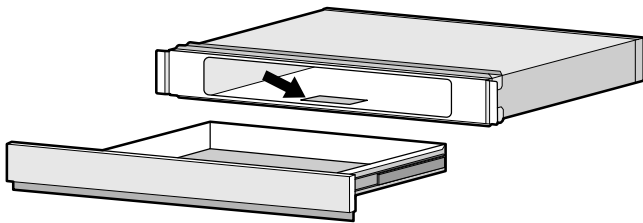
Rating Label-WD30W AND WD30WC

Refer to the rating label on the appliance when requesting service or when contacting Customer Service for assistance. The rating label is visible on the left of the drawer casing.



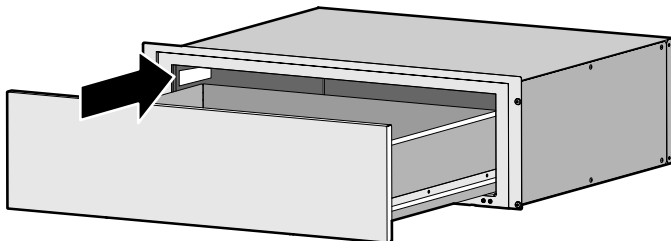
Data Plate-SDS30WC and SD30WC

Refer to the data plate on the storage drawer when requesting service or when contacting Customer Service for assistance. The data plate is visible on the bottom of the drawer casing for the **SDS30WC** storage drawer. It will be necessary to remove the drawer to view it.



SDS30WC Data Plate Location

The data plate for the SD30WC storage drawer is located on the left inside of the housing.



SD30WC Data Plate Location

Model Number and FD Number

The model number and the FD number of your appliance are found on the data plate or rating label. Make a note of these numbers in the space below to save time in the event your appliance requires service.

Model #	FD #
Thermador Customer Support	800-735-4328

Keep your invoice or escrow papers for warranty validation if service is needed.

STATEMENT OF LIMITED PRODUCT WARRANTY

What this Warranty Covers & Who it Applies to

The limited warranty provided by BSH Home Appliances Corporation ("BSH") in this Statement of Limited Product Warranty applies only to the THERMADOR® appliance ("Product") sold to you, the first using purchaser, provided that the Product was purchased:

- For your normal, household (non-commercial) use, and has in fact at all times only been used for normal household purposes.
- New at retail (not a display, "as is", or previously returned model), and not for resale, or commercial use.
- Within the United States or Canada, and has at all times remained within the country of original purchase.

The warranties stated herein apply to the original purchaser of the Product warranted herein and to each succeeding owner of the product purchased for ordinary home use during the term of the warranty.

BSH reserves the right to request proof of purchase at the time any warranty claim is submitted to confirm that the Product falls within the scope of this limited product warranty.

Please make sure to return your registration card; while not necessary to effectuate warranty coverage, it is the best way for BSH to notify you in the unlikely event of a safety notice or product recall.

How Long the Warranty Lasts

BSH warrants that the Product is free from defects in materials and workmanship for a period of seven hundred and thirty (730) days from the date of purchase. The foregoing timeline begins to run upon the date of purchase, and shall not be stalled, tolled, extended, or suspended, for any reason whatsoever.

This Product is also warranted to be free from *cosmetic* defects in material and workmanship (such as scratches of stainless steel, paint/porcelain blemishes, chip, dents, or other damage to the finish of the Product), for a period of sixty (60) days from the date of purchase or closing date for new construction. This *cosmetic* warranty excludes slight color variations due to inherent differences in painted and porcelain parts, as well as differences caused by kitchen lighting, product location, or other similar factors. This *cosmetic* warranty specifically excludes any display, floor, "As Is", or "B" stock appliances.

Repair/Replace as Your Exclusive Remedy

During this warranty period, BSH or one of its authorized service providers will repair your Product without charge to you (subject to certain limitations stated herein) if your Product proves to have been manufactured with a defect in materials or workmanship. If reasonable attempts to repair the Product have been made without success, then BSH will replace your Product (upgraded models may be available to you, in BSH's sole discretion, for an additional charge). All removed parts and components

shall become the property of BSH at its sole option. All replaced and/or repaired parts shall assume the identity of the original part for purposes of this warranty and this warranty shall not be extended with respect to such parts. BSH's sole liability and responsibility hereunder is to repair manufacturer-defective Product only, using a BSH-authorized service provider during normal business hours. For safety and property damage concerns, BSH highly recommends that you do not attempt to repair the Product yourself, or use an un-authorized servicer; BSH will have no responsibility or liability for repairs or work performed by a non-authorized servicer. If you choose to have someone other than an authorized service provider work on your Product, THIS WARRANTY WILL AUTOMATICALLY BECOME NULL AND VOID. Authorized service providers are those persons or companies that have been specially trained on BSH products, and who possess, in BSH's opinion, a superior reputation for customer service and technical ability (note that they are independent entities and are not agents, partners, affiliates or representatives of BSH). Notwithstanding the foregoing, BSH will not incur any liability, or have responsibility, for the Product if it is located in a remote area (more than 100 miles from an authorized service provider) or is reasonably inaccessible, hazardous, threatening, or treacherous locale, surroundings, or environment; in any such event, if you request, BSH would still pay for labor and parts and ship the parts to the nearest authorized service provider, but you would still be fully liable and responsible for any travel time or other special charges by the service company, assuming they agree to make the service call.

Out of Warranty Product

BSH is under no obligation, at law or otherwise, to provide you with any concessions, including repairs, pro-rates, or Product replacement, once this warranty has expired.

Warranty Exclusions

The warranty coverage described herein excludes all defects or damage that are not the direct fault of BSH, including without limitation, one or more of the following:

- Use of the Product in anything other than its normal, customary and intended manner (including without limitation, any form of commercial use, use or storage of an indoor product outdoors, use of the Product in conjunction with air or water-going vessels).
- Any party's willful misconduct, negligence, misuse, abuse, accidents, neglect, improper operation, failure to maintain, improper or negligent installation, tampering, failure to follow operating instructions, mishandling, unauthorized service (including self-performed "fixing" or exploration of the appliance's internal workings).
- Adjustment, alteration or modification of any kind.
- A failure to comply with any applicable state, local, city, or county electrical, plumbing and/or building codes, regulations, or laws, including failure to install

the product in strict conformity with local fire and building codes and regulations.

- Ordinary wear and tear, spills of food, liquid, grease accumulations, or other substances that accumulate on, in, or around the Product.
- Any external, elemental and/or environmental forces and factors, including without limitation, rain, wind, sand, floods, fires, mud slides, freezing temperatures, excessive moisture or extended exposure to humidity, lightning, power surges, structural failures surrounding the appliance, and acts of God.

In no event shall BSH have any liability or responsibility whatsoever for damage to surrounding property, including cabinetry, floors, ceilings, and other structures or objects around the Product. Also excluded from this warranty are Products on which the serial numbers have been altered, defaced, or removed; service visits to teach you how to use the Product, or visits where there is nothing wrong with the Product; correction of installation problems (you are solely responsible for any structure and setting for the Product, including all electrical, plumbing or other connecting facilities, for proper foundation/flooring, and for any alterations including without limitation cabinetry, walls, floors, shelving, etc.); and resetting of breakers or fuses.

TO THE EXTENT ALLOWED BY LAW, THIS WARRANTY SETS OUT YOUR EXCLUSIVE REMEDIES WITH

RESPECT TO PRODUCT, WHETHER THE CLAIM ARISES IN CONTRACT OR TORT (INCLUDING STRICT LIABILITY, OR NEGLIGENCE) OR OTHERWISE. THIS WARRANTY IS IN LIEU OF ALL OTHER WARRANTIES, WHETHER EXPRESS OR IMPLIED. ANY WARRANTY IMPLIED BY LAW, WHETHER FOR MERCHANTABILITY OR FITNESS FOR A PARTICULAR PURPOSE, OR OTHERWISE, SHALL BE EFFECTIVE ONLY FOR THE PERIOD THAT THIS EXPRESS LIMITED WARRANTY IS EFFECTIVE. IN NO EVENT WILL THE MANUFACTURER BE LIABLE FOR CONSEQUENTIAL, SPECIAL, INCIDENTAL, INDIRECT, "BUSINESS LOSS", AND/OR PUNITIVE DAMAGES, LOSSES, OR EXPENSES, INCLUDING WITHOUT LIMITATION TIME AWAY FROM WORK, HOTELS AND/OR RESTAURANT MEALS, REMODELLING EXPENSES IN EXCESS OF DIRECT DAMAGES WHICH ARE DEFINITELY CAUSED EXCLUSIVELY BY BSH, OR OTHERWISE. SOME STATES DO NOT ALLOW THE EXCLUSION OR LIMITATION OF INCIDENTAL OR CONSEQUENTIAL DAMAGES, AND SOME STATES DO NOT ALLOW LIMITATIONS ON HOW LONG AN IMPLIED WARRANTY LASTS, SO THE ABOVE LIMITATIONS MAY NOT APPLY TO YOU. THIS WARRANTY GIVES YOU SPECIFIC LEGAL RIGHTS, AND YOU MAY ALSO HAVE OTHER RIGHTS WHICH VARY FROM STATE TO STATE. No attempt to alter, modify or amend this warranty shall be effective unless authorized in writing by an officer of BSH.

THERMADOR® Support

Service

We realize that you have made a considerable investment in your kitchen. We are dedicated to supporting you and your appliance so that you have many years of creative cooking.

Please do not hesitate to contact our STAR® Customer Support Department if you have any questions or in the unlikely event that your THERMADOR® appliance needs service. Our service team is ready to assist you.

USA

800-735-4328

www.thermador.com/support

Canada

800-735-4328

www.thermador.ca

Parts and Accessories

Parts, filters, descalers, stainless steel cleaners and more can be purchased in the THERMADOR® eShop or by phone.

USA

<http://store.thermador.com/us>

Canada

- If you live in any of the Atlantic provinces, Ontario, or Québec contact:

Marcone

1.800.287.1627

- If you live in any of the Territories, Manitoba, Saskatchewan, Alberta, or British Columbia contact:

Reliable Parts

1.800.663.6060

Table de MATIÈRES

▲ Définitions de sécurité	15	Soutien THERMADOR®	26
IMPORTANTES CONSIGNES DE SÉCURITÉ	16	Dépannage	26
Installation et entretien corrects	16	Pièces et accessoires	26
Sécurité-incendie	16		
Prévention des brûlures	17		
Sécurité des enfants	17		
Sécurité pour la batterie de cuisine	17		
Sécurité alimentaire	17		
Avertissement issue de la proposition 65 de l'État de la Californie :	17		
Familiarisation avec l'appareil	18		
Vue d'ensemble du tiroir de rangement	18		
Vue d'ensemble du tiroir-réchaud	18		
Panneau de commande	19		
Fonctionnement	19		
Sécurité alimentaire	19		
Réglages du tiroir-réchaud	19		
Mode Sabbat	20		
Préchauffage du tiroir-réchaud	20		
Réchauffer des aliment	20		
Maintenir au chaud des bols et des assiettes de service vides	20		
Fermentation du pain	20		
Faire croustiller des aliments rassis	20		
Tableaux de données pour utilisation du tiroir chauffant	21		
Nettoyage et entretien	22		
Tableau de nettoyage	22		
Retrait du tiroir	22		
Réinsertion du tiroir	22		
Dépannage	23		
Plaque signalétique-WD30W ET WD30WC	23		
Plaque d'identification : SDS30WC et SD30WC	23		
Numéro de modèle et numéro FD	23		
DÉCLARATION DE GARANTIE LIMITÉE DU PRODUIT	24		
Couverture de la garantie limitée	24		
Durée de la garantie	24		
Réparation ou remplacement : votre recours exclusif ..	24		
Produit hors garantie	24		
Exclusions de garantie	25		

*Cet appareil électroménager
de THERMADOR*

est fait par BSH Home Appliances Ltd.
6696 Financial Drive, Unit 3
Mississauga, ON L5N 7J6

Question ?

1-800-735-4328

www.thermador.ca

Nous attendons de vos nouvelles.

Définitions de sécurité

AVERTISSEMENT

Ceci indique que le non-respect de cet avertissement peut entraîner des blessures graves, voire la mort.

ATTENTION

Ceci indique que le non-respect de cet avertissement peut entraîner des blessures légères ou de gravité moyenne.

AVIS : Ceci indique que la non-conformité à cet avis de sécurité peut entraîner des dégâts matériels ou endommager l'appareil.

Remarque : Ceci vous signale des informations et/ou indications importantes.

IMPORTANTES CONSIGNES DE SÉCURITÉ

LIRE ET CONSERVER CES INSTRUCTIONS

AVERTISSEMENT

Votre nouvel appareil a été conçu pour un fonctionnement sûr et fiable si vous en prenez bien soin. Lire attentivement toutes les consignes avant l'emploi. Ces précautions réduiront les risques de brûlures, de choc électrique, d'incendie et de lésions corporelles. Lors de l'utilisation d'un appareil électroménager, quelques précautions de sécurité élémentaires doivent être observées, y compris celles qui figurent aux pages suivantes.

Installation et entretien corrects

Demandez à l'installateur de vous montrer où se trouve le disjoncteur ou le fusible. Identifier sa position pour pouvoir le retrouver facilement.

Cet appareil doit être adéquatement installé et mis à la terre par un technicien agréé. Branchez l'appareil uniquement dans une prise correctement reliée à la terre. Pour plus de détails, reportez-vous à la notice d'installation.

Cet appareil est destiné uniquement à une utilisation domestique normale. Il n'est pas homologué pour un usage en extérieur. Voyez la Énoncé de la Garantie Limitée. Si vous avez des questions, communiquez avec le fabricant.

Ne pas entreposer ni utiliser de produits chimiques corrosifs, vapeurs, substances inflammables ou produits non alimentaires à l'intérieur ou à proximité de l'appareil. Il a été spécialement conçu pour être utilisé pendant le chauffage et la cuisson des aliments. L'emploi de produits chimiques corrosifs pour chauffer ou nettoyer l'appareil endommagera ce dernier et peut provoquer des blessures.

Ne pas se servir de cet appareil s'il ne fonctionne pas correctement ou s'il est endommagé. Communiquer avec un réparateur autorisé.

Ne pas réparer ni remplacer toute pièce de l'appareil à moins que cela ne soit spécifiquement recommandé par ce manuel. Toute réparation doit être effectuée par un réparateur autorisé.

Sécurité-incendie

Si une matière à l'intérieur du four ou un tiroir-réchaud venait à prendre feu, conservez la porte fermée. Éteignez l'appareil électroménager et déconnectez le circuit au fusible ou depuis le boîtier de disjoncteurs.

Pour réduire le risque d'incendie, ne placez rien dans le tiroir-réchaud qui pourrait causer un incendie (comme des aliments, des sacs, etc.) si l'appareil est activé.

AVERTISSEMENT

Utiliser cet appareil uniquement dans le cadre de l'utilisation prévue tel que décrit dans ce manuel. NE JAMAIS utiliser pour chauffer ou réchauffer une pièce. Ceci pourrait faire surchauffer l'appareil. L'appareil ne doit jamais servir à entreposer quoi que ce soit.

Toujours avoir un détecteur de fumée en état de marche près de la cuisine.

Si des vêtements s'enflamment, rouler par terre immédiatement pour éteindre les flammes.

Veillez à avoir à portée de main un extincteur d'incendie en bon état de marche, placé visiblement près de l'appareil et facile d'accès.

Étouffez les flammes d'un feu d'aliments autre qu'un feu de graisse à l'aide de bicarbonate de soude. Ne jamais utiliser d'eau sur les feux de cuisson.

AVERTISSEMENT

POUR RÉDUIRE LE RISQUE DE LÉSIONS CORPORELLES DANS L'ÉVENTUALITÉ D'UN FEU DE GRAISSE, OBSERVER LES CONSIGNES SUIVANTES :

- a. **ÉTOUFFER LES FLAMMES** à l'aide d'un couvercle bien hermétique, d'une tôle à biscuits ou d'un plateau en métal, puis éteindre l'appareil. FAIRE ATTENTION À NE PAS SE BRÛLER. Si les flammes ne s'éteignent pas immédiatement, ÉVACUER LES LIEUX ET FAIRE APPEL AU SERVICE D'INCENDIE.
 - b. **NE JAMAIS SAISIR UN RÉCIPIENT QUI BRÛLE.** Vous pourriez vous brûler.
 - c. **NE PAS UTILISER D'EAU**, y compris les chiffons ou serviettes mouillées. Une violente explosion de vapeur risque de se produire.
 - d. Utiliser un extincteur uniquement si :
 - Vous savez que vous possédez un extincteur de CLASSE ABC, et vous en connaissez déjà le maniement.
 - L'incendie est de petite ampleur et contenu dans la zone où il s'est déclaré.
 - Le service d'incendie est appelé.
 - On peut combattre l'incendie le dos tourné vers la sortie.
-

IMPORTANTES CONSIGNES DE SÉCURITÉ

LIRE ET CONSERVER CES INSTRUCTIONS

Prévention des brûlures

Faire attention en ouvrant le tiroir-réchaud. En se plaçant sur le côté, ouvrir la porte (ou le tiroir) lentement et légèrement pour laisser l'air chaud et/ou la vapeur s'échapper du four. Éloigner le visage de l'ouverture et s'assurer qu'aucun enfant ou animal ne se trouve près de l'appareil. Une fois l'air chaud et/ou la vapeur sortis, continuez la cuisson. Ne pas laisser les portes ouvertes à moins que vous ne soyez en train de cuisiner ou de nettoyer. Ne pas laisser les portes ouvertes sans surveillance.

Ne pas toucher la surface intérieure du tiroir pendant son utilisation. L'intérieur du tiroir pourrait devenir suffisamment chaud pour causer des brûlures. Laisser le tiroir et la grille (s'il y en a une) refroidir avant de les manipuler.

Ne pas chauffer ou réchauffer des contenants d'aliments non ouverts. L'accumulation de pression peut faire exploser le contenant et provoquer des blessures.

Toujours utiliser des poignées isolantes sèches. Des poignées mouillées ou humides entrant en contact avec les surfaces chaudes peuvent provoquer des blessures par dégagement de vapeur. Ne laissez pas les poignées toucher les éléments chauffants chauds. Ne pas utiliser de serviette ni de chiffon volumineux.

Attacher les vêtements lâches, etc. avant de commencer. Attacher les cheveux longs de façon à ce qu'ils ne pendent pas et ne pas porter de vêtements lâches ou d'habits ou objets qui pendillent, tels que cravates, foulards, bijoux ou manches.

Sécurité des enfants

Lorsque les enfants sont assez âgés pour utiliser l'appareil, il incombe aux parents ou tuteurs légaux de veiller à ce qu'ils soient formés aux pratiques sécuritaires par des personnes qualifiées.

Ne permettre à personne de grimper, rester debout, s'appuyer, s'asseoir ou se pencher sur toute partie d'un appareil, notamment une porte, un tiroir-réchaud ou un tiroir de rangement. Ceci peut endommager l'appareil qui risque de basculer et causer des blessures sérieuses.

Ne pas permettre aux enfants d'utiliser cet appareil sauf sous la surveillance attentive d'un adulte. Ne pas laisser les enfants et les animaux seuls ou sans surveillance lorsque l'appareil est en service. Ne jamais les laisser jouer aux alentours de l'appareil, que ce dernier soit en service ou non.

AVERTISSEMENT

Les articles qui pourraient intéresser les enfants ne doivent pas être rangés dans un appareil électroménager, dans les armoires au-dessus ou sur le dossier de l'appareil. Les enfants qui essaient de monter sur un appareil électroménager pour atteindre ces articles pourraient être gravement blessés.

Sécurité pour la batterie de cuisine

ATTENTION

Les contenants ou les pellicules de plastique peuvent fondre en cas de contact direct avec le tiroir ou un ustensile chaud. Si le plastique fond sur le tiroir, il peut ne pas être possible de l'enlever.

Sécurité alimentaire

ATTENTION

Pour préserver la sécurité des aliments, respectez ces lignes directrices :

- e. NE PAS utiliser le tiroir chauffant pour y chauffer des aliments froids (exception : il est sécuritaire d'utiliser le tiroir pour y faire croustiller des craquelins, des croustilles ou des céréales sèches et garder des assiettes au chaud).
 - f. Veiller à garder la nourriture à la bonne température. L'USDA recommande de maintenir les aliments chauds à 140 °F (60 °C) ou plus.
 - g. NE PAS maintenir des aliments au chaud pendant plus d'une heure.
-

Avertissement issue de la proposition 65 de l'État de la Californie :

AVERTISSEMENT

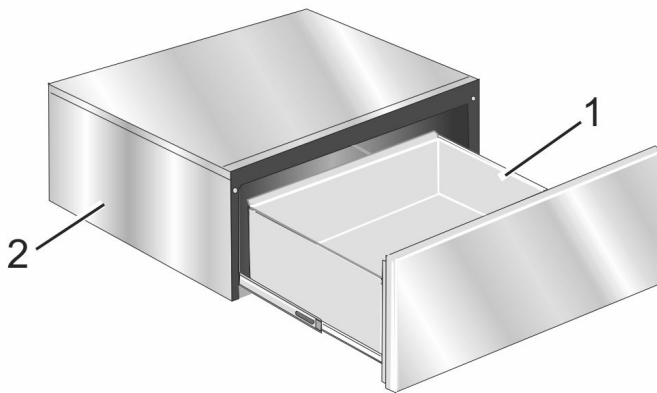
Ce produit peut vous exposer à des produits chimiques, comme du chlorure de vinyle, reconnu par l'État de la Californie comme causant le cancer, des malformations congénitales ou d'autres effets nocifs sur la reproduction. Pour de plus amples renseignements, consultez www.P65Warnings.ca.gov.

Familiarisation avec l'appareil

Dans cette section, vous trouverez les explications concernant les témoins et les commandes. Vous y trouverez également des renseignements concernant les diverses fonctions de l'appareil.

Remarque : Les garnitures et les couleurs individuelles peuvent être différentes selon le modèle de l'appareil électroménager.

Vue d'ensemble du tiroir de rangement

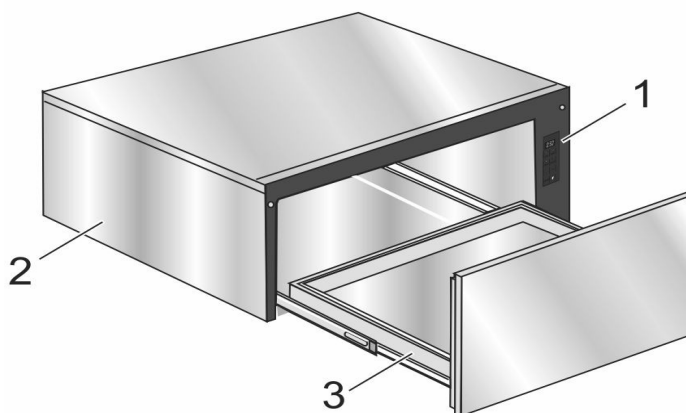


1	Tiroir
2	Compartiment du tiroir de rangement

Fonctionnalité Pousoir

Le tiroir de rangement est doté d'un pousoir. Appuyer légèrement sur la façade du tiroir (entre 4 mm et 5 mm) pour l'ouvrir complètement. Le tiroir s'ouvrira automatiquement entre 4 po à 5 po (10 cm et 13 cm) et peut être tiré pour l'ouvrir.

Vue d'ensemble du tiroir-réchaud



1	Panneau de commande
2	Compartiment du tiroir-réchaud
3	Tiroir

Fonctionnalité Pousoir

Le tiroir-réchaud est doté d'un pousoir. Appuyer légèrement sur la façade du tiroir (entre 4 mm et 5 mm) pour l'ouvrir complètement. Le tiroir s'ouvrira automatiquement entre 4 po à 5 po (10 cm et 13 cm) et peut être tiré pour l'ouvrir au complet.

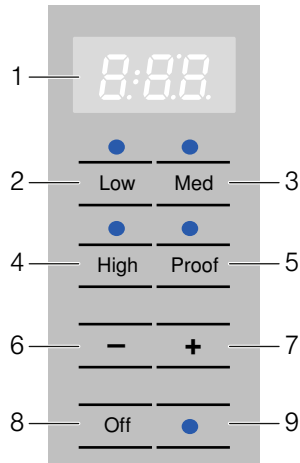
Fonctionnalité EZ Close

Le tiroir-réchaud comporte une fonctionnalité EZ Close (fermeture aisée) qui s'enclenche quand on pousse légèrement le tiroir pour le fermer.

Panneau de commande

Le panneau de commandes comportent plusieurs pavés tactiles qui répondent à une légère pression. Effleurez le centre du pavé tactile pour l'actionner. Les pavés de température commandent la température du fond du tiroir.

Le panneau de commande émet un bip sonore au moment d'une saisie. Le minuteur de Garder au chaud sonne à la fin du décompte du temps saisi.



Emplacement	Touche tactile	Fonction
1	Écran	Affiche la température actuelle du tiroir.
2	FAIBLE (LOW)	140 °F (60 °C)
3	MOYEN (MED)	165 °F (74 °C)
4	ÉLEVÉ (HIGH)	190 °F (88 °C)
5	APPRÊT (PROOF)	100 °F (38 °C)
6	-	Effleurer pour réduire la durée.
7	+	Effleurer pour augmenter la durée.
8	MARCHE ARRÊT (ON OFF)	Allumer et éteindre le tiroir-réchaud.
9	● Témoin lumineux	Indique le réglage en cours.

Fonctionnement

Le tiroir-réchaud conserve les aliments cuits au chaud à la température de service. Toujours commencer par des aliments chauds. NE PAS utiliser le tiroir-réchaud pour y chauffer des aliments froids, si ce n'est pour faire fermenter de la pâte, y faire croustiller des craquelins, des croustilles ou des céréales sèches, réchauffer du pain et des biscuits et garder des assiettes ou des plats au chaud.

Le tiroir-réchaud est doté d'un poussoir. Pousser sur le devant du tiroir pour déclencher son ouverture.

Sécurité alimentaire

▲ ATTENTION

Pour préserver la sécurité des aliments, respectez ces lignes directrices :

- h. NE PAS utiliser le tiroir chauffant pour y chauffer des aliments froids (exception : il est sécuritaire d'utiliser le tiroir pour y faire croustiller des craquelins, des croustilles ou des céréales sèches et garder des assiettes au chaud).
- i. Veiller à garder la nourriture à la bonne température. L'USDA recommande de maintenir les aliments chauds à 140 °F (60 °C) ou plus.
- j. NE PAS maintenir des aliments au chaud pendant plus d'une heure.

Réglages du tiroir-réchaud

Effleurer MARCHE | ARRÊT (ON | OFF) pour démarrer le tiroir-réchaud.

Régler la minuterie du tiroir par incrément de 5 minutes. La durée minimum est de 5 minutes et maximum, 5 heures.

Remarque : La durée par défaut de la minuterie est de 1 heure.

Modification de la minuterie du tiroir

Utiliser les pavés + et - pour modifier la durée de la minuterie.

Temps écoulé

Une fois le temps écoulé, la sonnerie du panneau de commande retentit et le tiroir-réchaud s'éteint automatiquement.

Éteindre le tiroir-réchaud

Effleurer MARCHE | ARRÊT (ON | OFF) pour éteindre le tiroir-réchaud.

Mode Sabbat

La fonctionnalité Shabbat permet aux personnes de religions spécifiques d'utiliser leur tiroir-réchaud le jour du Shabbat.

- Il est réglé pour fonctionner pendant 74 heures avant de s'éteindre automatiquement.
- En cours d'utilisation, l'écran affiche uniquement **SAb** mode Sabbat.
- Une fois le mode Sabbat réglé, il est impossible de modifier la durée de la minuterie ni la température du tiroir-réchaud.
- Appuyer sur **MARCHE|ARRÊT (ON|OFF)** à n'importe quel moment en mode Sabbat pour interrompre cette fonctionnalité et éteindre le tiroir-réchaud.

Réglage de la fonctionnalité du mode Sabbat

Appuyer sur la touche **MOYEN (MED)** pendant cinq (5) secondes.

Une fois le mode Sabbat réglé, toutes les touches sont désactivées, sauf la touche **MARCHE|ARRÊT (ON|OFF)** utilisée pour annuler la commande.

Remarque : Seule la température **MOYEN (MED)** fonctionne en mode Sabbat.

Préchauffage du tiroir-réchaud

Préchauffer le tiroir-réchaud pour maintenir de la nourriture au chaud. Pour optimiser les résultats, préchauffer pour les durées suivantes :

Réglage	Période de préchauffage
FAIBLE (LOW)	10 minutes
MOYEN (MED)	15 minutes
ÉLEVÉ (HIGH)	20 minutes
APPRÊT (PROOF)	Aucun préchauffage nécessaire

Réchauffer des aliment

1. Effleurer **ARRÊT/MARCHE (ON | OFF)** pour démarrer le tiroir-réchaud.
2. Effleurer la touche à la température souhaitée.
3. Préchauffer le tiroir-réchaud.
4. Régler la minuterie, si vous le souhaitez.
5. Déposer le plat d'aliments cuits et chauds dans le tiroir. Appuyer pour fermer le tiroir.

Il est tout a fait correct de laisser les aliments dans le plat de cuisson ayant servi à sa préparation. Autrement, transférer les aliments dans un plat de service résistant à la chaleur avant de le déposer dans le tiroir-réchaud.

Utiliser du papier d'aluminium ou un couvercle pour couvrir les aliments.

Maintenir au chaud des bols et des assiettes de service vides

- N'utiliser que de la vaisselle résistante à la chaleur.
- Chauffer les plats de cuisson à réglage faible.
- Vérifier la température du mets pendant la période de maintien au chaud.
- Disposer les assiettes ou les plats vides dans un tiroir-réchaud froid. Ne pas préchauffer le tiroir avant d'y disposer les plats.

1. Appuyer sur **FAIBLE (LOW)**.
2. Régler la minuterie du tiroir.

Fermentation du pain

Déposer la pâte dans un plat dans le tiroir-réchaud froid et huiler la surface de la pâte. Couvrir le bol d'un chiffon, sans serrer.

1. Effleurer la commande **APPRÊT (PROOF)**.
2. Régler la minuterie du tiroir.
3. Vérifier le gonflement de la pâte. Ajouter du temps, si nécessaire.

Faire croustiller des aliments rassis

Placer l'aliment dans un plat peu profond.

1. Effleurer **FAIBLE (LOW)**.
2. Préchauffer pendant 5 minutes, puis placer le plat dans le tiroir.
3. Régler la minuterie du tiroir.
4. Vérifier le croustillant après 45 minutes. Ajouter du temps, si nécessaire.

Tableaux de données pour utilisation du tiroir chauffant

Catégorie d'aliments	Réglage des commandes	Couvercle
Bacon	Élevée	Non
Bœuf : rosé	Faible	Non
Bœuf : à point et bien cuit	Moyenne	Non
Pain rapide : petits pains durs ou moelleux, gâteaux danois, biscuits et rôtis	Moyenne	Oui
Plats en casserole	Moyenne	Oui
Céréales, cuites	Moyenne	Oui
Faire croustiller : aliments rassis	Faible	Non
Levée de pâte (fermentation)	Apprêt	Oui
Œufs	Élevée	Oui
Aliments frits	Élevée	Non
Sauce, sauce à la crème	Moyenne	Oui
Viandes : jambon, agneau et porc	Moyenne	Oui
Tartes	Moyenne	Non
Pizza	Élevée	Non
Pommes de terre, au four	Élevée	Oui
Pommes de terre, purée	Moyenne	Oui
Volaille, rôtie	Moyenne	Oui
Fruits de mer	Moyenne	Oui
Légumes	Moyenne	Oui
Gaufres/Crêpes	Élevée	Non
Assiettes	Faible	Non
Plat de nourriture	Moyenne	Oui

Remarque : : Préchauffez tous les plats allant au four avant de les insérer dans le tiroir chauffant. Si ce plat a été utilisé pour préparer le mets, il n'y a pas besoin de le préchauffer.

Nettoyage et entretien

Avec un bon entretien et de bons nettoyages, l'appareil électroménager conservera son apparence et demeurera entièrement fonctionnel pendant plusieurs années. Vous trouverez ci-dessous les détails concernant l'entretien et le nettoyage du tiroir-réchaud ou du tiroir de rangement.

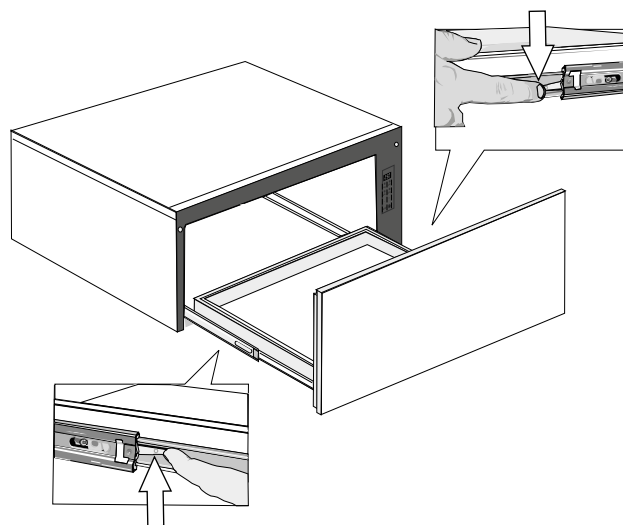
Tableau de nettoyage

Pièce	Recommandations
Intérieur du tiroir (acier inoxydable poli)	Utiliser un détergent à vaisselle. Laver, bien rincer et sécher. Pour les taches de calcaire ou de tartre, utiliser du vinaigre blanc. Appliquer avec une éponge ou un chiffon, rincer et sécher.
Surfaces peintes	Utiliser de l'eau chaude savonneuse ou des produits de nettoyage doux, comme du Fantastik® ou du Formula 409®. Laver, bien rincer et sécher. Ne pas utiliser d'agents nettoyants abrasifs, de tampons en laine d'acier et de produits de nettoyage pour four.
Cadre extérieur du tiroir (acier inoxydable brossé)	Toujours essuyer ou frotter dans la direction du poli. Nettoyer avec une éponge savonneuse, puis rincer et sécher ou essuyer avec du Fantastik® ou du Formula 409® vaporisé un essuie-tout. Protéger et polir en utilisant du Stainless Steel Magic® et un chiffon doux. Retirer les traces d'eau avec un chiffon humecté de vinaigre blanc. Utiliser Bar Keeper's Friend® pour éliminer les traces d'échauffement.
Panneau de commande (tiroir-réchaud seulement)	Nettoyer à l'eau chaude savonneuse ou appliquer du Fantastik® ou du Formula 409® sur une éponge propre ou un essuie-tout. Essuyer. Ne pas utiliser d'agents nettoyants abrasifs ni de tampons à laver.

Retrait du tiroir

⚠ ATTENTION

Pour éviter les brûlures, ne pas retirer le tiroir quand il est chaud. S'assurer que le tiroir est vide avant de le retirer.



1. Pour le tiroir-réchaud **WD30W**, l'ouvrir complètement.
 2. Pour le tiroir-réchaud **WD30WC** et les tiroirs de rangement **SD30WC** et **SDS30WC**, pousser légèrement sur le tiroir pour qu'il s'ouvre complètement.
 3. Appuyer sur la bride de dégagement du tiroir à droite.
 4. Soulever la bride du tiroir à gauche.
 5. Tirer droit et fermement sur le tiroir. Rentrer les glissières de l'armoire une fois le tiroir retiré.
- Si vous éprouvez d'autres problèmes à cette étape, veuillez communiquer avec le service après-vente.

Réinsertion du tiroir

1. S'assurer que les glissières de l'armoire sont à l'intérieur.
2. Aligner les glissières du tiroir avec celles de l'armoire.
3. Insérer fermement le tiroir, en ligne droite, dans l'armoire jusqu'à ce qu'il s'enclenche en position.
4. Ouvrir et fermer le tiroir pour vérifier son bon fonctionnement.

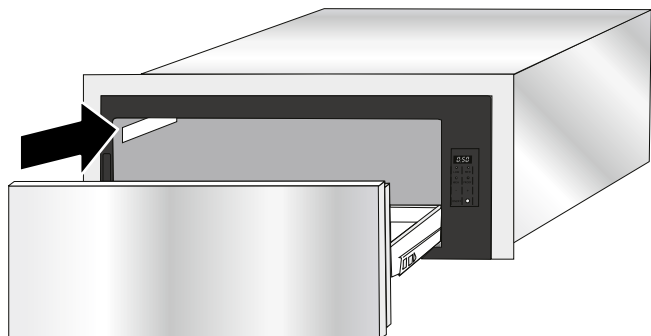
Remarque : S'il ne se ferme pas, vérifier si les brides de la glissière sont bien positionnées.

Dépannage

Si des éléments ou les témoins du tiroir-réchaud ne s'allument pas, vérifiez la source d'alimentation pour voir si le disjoncteur n'a pas été déclenché.

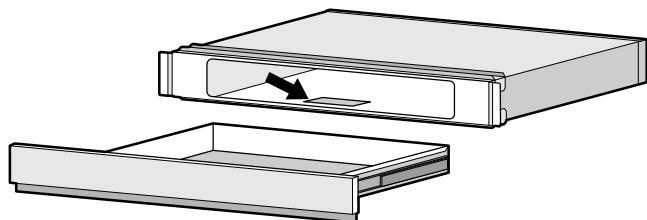
Plaque signalétique-WD30W ET WD30WC

Consultez la plaque signalétique de l'appareil pour faire une demande de réparations ou pour communiquer avec le Service après-vente pour de l'aide. La plaque signalétique est visible sur le côté gauche du compartiment du tiroir.



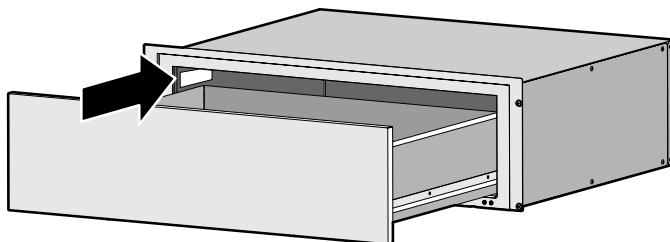
Plaque d'identification : SDS30WC et SD30WC

Consultez la plaque d'identification du tiroir de rangement pour faire une demande de réparations ou pour communiquer avec le Service après-vente pour de l'aide. La plaque d'identification est visible au fond du compartiment du tiroir pour le tiroir de rangement **SDS30WC**. Il pourra être nécessaire d'enlever le tiroir pour l'apercevoir.



Localisation de la plaque d'identification **SDS30WC**

La plaque d'identification du tiroir de rangement **SD30WC** est localisée du côté gauche, à l'intérieur du compartiment.



Localisation de la plaque d'identification **SD30WC**

Numéro de modèle et numéro FD

Les numéros de modèle et FD de l'appareil électroménager figurent sur la plaque d'identification ou signalétique. Prenez ces numéros en note dans l'espace ci-dessous pour économiser du temps, au cas où l'appareil électroménager aurait besoin de réparations.

No de modèle	No FD
Soutien à la clientèle Thermador	800-735-4328

Conservez votre facture ou votre contrat aux fins de validation de garantie si jamais vous avez besoin d'une réparation.

DÉCLARATION DE GARANTIE LIMITÉE DU PRODUIT

Couverture de la garantie limitée

La garantie limitée fournie par BSH Home Appliances Corporation (« BSH ») dans la présente déclaration de garantie limitée du produit s'applique seulement à l'appareil électroménager THERMADOR^{MD} (« Produit ») qui vous a été vendu à titre de premier acheteur, en autant que le produit ait été acheté :

- Pour votre utilisation normale, résidentielle (non commerciale), et qu'en fait, en tout temps, a été utilisé pour un usage domestique normal.
- Neuf au moment de la vente au détail (non en montre, « tel quel » ou un modèle retourné antérieurement), qu'il n'est pas destiné à la revente ni à un usage commercial.
- Aux États-Unis ou au Canada et qu'il est demeuré en tout temps dans le pays où l'appareil a été acheté.

Les garanties aux présentes s'appliquent à l'acheteur original du Produit sous garantie et à tout propriétaire successif du produit acheté pour une utilisation résidentielle habituelle et la durée de la garantie.

BSH se réserve le droit d'exiger une preuve d'achat à chaque réclamation au titre de la garantie afin de confirmer que le produit relève du champ d'application de la présente garantie limitée de produit.

Veuillez vous assurer de retourner la carte d'enregistrement, quoiqu'elle n'est pas nécessaire, pour la couverture par la garantie. C'est la meilleure façon dont BSH peut vous aviser dans le cas peu probable d'un avis de rappel ou de sécurité du produit.

Durée de la garantie

BSH garantit que le produit est exempt de défaut de matériau et de fabrication pour une période de sept cent trente (730) jours à compter de la date d'achat. La période susmentionnée commence à partir de la date d'achat et ne doit pas être retenue, retardée, prolongée ou interrompue pour une raison quelconque.

Ce produit est également garanti comme étant exempt de défaut *esthétique* au niveau du matériau et de la fabrication (par ex. d'égratignures sur l'acier inoxydable, d'imperfections au niveau de la peinture/porcelaine, d'éclats, de bosses ou autres dommages à la finition du produit), pour une période de soixante (60) jours à partir de la date d'achat ou de la date limite pour une construction neuve. La présente garantie *esthétique* exclut les variations légères de couleur causées par les différences inhérentes entre les sections peintes et les sections en porcelaine, de même que les différences causées par l'éclairage de la cuisine, l'emplacement du produit et autres facteurs similaires. La présente garantie *esthétique* exclut spécifiquement tous les appareils en montre, de plancher, « tel quel » et remis à neuf.

Réparation ou remplacement : votre recours exclusif

Pendant ladite période de garantie, BSH, ou un de ses centres de réparation autorisés, réparera le produit sans frais (sous réserve de certaines limitations indiquées aux présentes), si le produit présente un défaut de fabrication ou de matériaux. Si des tentatives raisonnables pour réparer le produit sont vaines, alors BSH remplacera le produit (un modèle supérieur peut être disponible, à la seule discrétion de BSH, moyennant des frais supplémentaires). Toutes les pièces et les composants enlevés demeurent la seule propriété de BSH. Toute pièce et tout composant réparés doit être identique à la pièce d'origine aux fins de la présente garantie et la garantie ne sera pas prolongée en regard de telles pièces. La seule responsabilité de BSH est de faire réparer le produit défectueux, par un centre de réparation autorisé pendant les heures d'affaires normales. Pour la sécurité et éviter des dommages à la propriété, BSH recommande fortement de ne pas essayer de réparer le produit soi-même ou le faire réparer par une personne non autorisée; BSH ne sera pas tenu responsable de réparations ou de travail effectués par un centre de réparation non autorisé. Si vous choisissez de faire réparer l'appareil par une personne autre qu'une personne autorisée, LA PRÉSENTE GARANTIE EST AUTOMATIQUEMENT NULLE ET NON AVENUE. Les centres de réparation autorisés sont les personnes ou les entreprises qui ont été spécialement formées sur les produits BSH et qui possèdent, selon l'opinion de BSH, une réputation supérieure pour le service à la clientèle et la capacité technique (il est à noter qu'elles sont des entités indépendantes et non des agents, partenaires, affiliés ou représentants de BSH). Nonobstant ce qui suit, BSH ne sera pas tenu responsable d'aucune façon si le produit est situé dans une région éloignée (supérieure à 100 miles d'un centre de réparation autorisé) ou n'est pas accessible de façon raisonnable, dans un environnement ou un local dangereux, menaçant ou périlleux; dans une telle éventualité, à la demande du consommateur, BSH pourrait payer les frais de main-d'oeuvre et de pièces et expédier les pièces au centre de réparation autorisé le plus près, mais le consommateur serait entièrement responsable pour tous les frais de déplacement et autres frais spéciaux encourus par le centre de réparation, en autant qu'il accepte la demande de réparation.

Produit hors garantie

BSH n'a aucun obligation, aux termes de la loi ou autrement, d'offrir toute concession, incluant réparation, prorata ou remplacement de produit, une fois la présente garantie expirée.

Exclusions de garantie

La couverture de garantie décrite aux présentes exclut tous les défauts ou dommages dont BSH n'est pas directement responsable, y compris, sans pour autant s'y limiter, l'un ou plusieurs des points suivants :

- Utilisation du produit autre qu'un usage normal, habituel et de la façon destinée (incluant, sans s'y limiter, toute forme d'utilisation commerciale, d'utilisation ou de rangement d'un produit pour l'intérieur à l'extérieur, d'utilisation du produit de concert avec un transporteur aérien ou marin).
- Une faute intentionnelle d'un tiers, la négligence, la mauvaise utilisation, l'utilisation abusive, des accidents, le fonctionnement inadéquat, le manque d'entretien, la mauvaise installation ou l'installation négligente, la modification, le non respect des instructions d'utilisation, la manipulation sans précaution, les réparations non autorisées (y compris les réparations effectuées par l'utilisateur ou l'étude du fonctionnement interne de l'appareil électroménager par celui-ci).
- Réglage, modification ou altération de tout type.
- Manquement à se conformer aux normes, codes, réglementation ou lois applicables fédérales, provinciales, municipales ou électriques, de plomberie et/ou du bâtiment du pays, incluant le manquement d'installer le produit en stricte conformité avec les codes et réglementations locaux du bâtiment et d'incendie.
- Bris et usure ordinaires, déversements d'aliments ou de liquides, accumulations de graisse ou autres substances dans, sur ou autour du produit.
- Toute force ou tout facteur externe, élémentaire et/ou environnemental, incluant sans limitation, la pluie, le vent, le sable, les inondations, les incendies, les coulées de boue, le gel, l'humidité excessive ou l'exposition prolongée à l'humidité, la foudre, la surtension, aux problèmes de structure autour de l'appareil électroménager et les désastres naturels.

En aucun cas, BSH ne peut être tenu responsable de dommages survenus à la propriété, incluant les armoires, les planchers, les plafonds et les autres objets ou structures autour du produit. Sont également exclus de la garantie les produits dont les numéros de série ont été modifiés, effacés ou enlevés; les visites de service pour enseigner le fonctionnement du produit ou les visites où il n'y a aucun problème avec le produit; la correction de problèmes d'installation (le consommateur est seul responsable pour toute structure et tout réglage du produit, incluant les connexions électriques, la plomberie et les autres connexions nécessaires, pour une fondation/plancher approprié, et pour toute modification incluant, sans limitation, les armoires, les murs, les planchers, les tablettes, etc.) et le réenclenchement de disjoncteurs ou le remplacement de fusibles.

DANS LA MESURE AUTORISÉE PAR LOI, LA PRÉSENTE GARANTIE SPÉCIFIE LES SEULS RECOURS DONT VOUS DISPOSEZ À L'ÉGARD DU PRODUIT, QUE LA RÉCLAMATION SOIT FONDÉE SUR UN CONTRAT OU DÉLIT (Y COMPRIS RESPONSABILITÉ ABSOLUE OU NÉGLIGENCE) OU AUTRE. CETTE GARANTIE REMPLACE TOUTE AUTRE GARANTIE, EXPRESSE OU ÉCRITE. TOUTES GARANTIES IMPLICITES AUX TERMES DE LA LOI, INCLUANT LES GARANTIES DE QUALITÉ MARCHANDE OU D'APTITUDE À UN USAGE PARTICULIER, OU AUTREMENT, SONT LIMITÉES DANS LE TEMPS À LA DURÉE DE CETTE GARANTIE LIMITÉE. LE FABRICANT NE SERA EN AUCUN CAS RESPONSABLE DE DOMMAGES CONSÉCUTIFS, SPÉCIAUX, ACCESSOIRES, INDIRECTS OU DE « PERTES COMMERCIALES » ET/OU DE DOMMAGES PUNITIFS, DE PERTES OU DE DÉPENSES, Y COMPRIS SANS S'Y LIMITER, ABSENCE DU TRAVAIL, FRAIS D'HÔTEL ET/OU FRAIS DE RESTAURANT, FRAIS DE REMODELAGE EN EXCÉDENT DES DOMMAGES DIRECTS QUI SONT DÉFINITIVEMENT CAUSÉS EXCLUSIVEMENT PAR BSH, OU AUTREMENT. CERTAINS ÉTATS N'AUTORISENT PAS L'EXCLUSION OU LA LIMITATION DE DOMMAGES ACCESSOIRES OU CONSÉCUTIFS, ET CERTAINS ÉTATS N'AUTORISENT PAS LA LIMITATION DE LA DURÉE DES GARANTIES IMPLICITES, DONC LES LIMITES CI-DESSUS POURRAIENT NE PAS S'APPLIQUER À VOUS. CETTE GARANTIE VOUS DONNE DES DROITS PRÉCIS RECONNUS PAR LA LOI ET VOUS POUVEZ ÉGALEMENT AVOIR D'AUTRES DROITS QUI VARIENT D'UN ÉTAT À L'AUTRE.

Aucune tentative de modifier, changer ou amender la présente garantie ne peut être valide sans le consentement écrit autorisé par un dirigeant de BSH.

Soutien THERMADOR®

Dépannage

Nous sommes conscients que vous avez investi des sommes considérables dans votre cuisine. Nous nous engageons à vous offrir, ainsi qu'à votre appareil, un service de dépannage qui vous permettra de profiter de votre cuisine pendant de nombreuses années.

N'hésitez pas à communiquer avec notre service à la clientèle STAR® si vous avez des questions ou dans l'éventualité peu probable où votre appareil THERMADOR® nécessiterait de l'entretien. Notre équipe de dépannage se fera un plaisir de vous aider.

États-Unis

800-735-4328

www.thermador.com/support

Canada

800-735-4328

www.thermador.ca

Pièces et accessoires

Pour vous procurer des pièces, des filtres, du détartrant, des produits nettoyants pour l'acier inoxydable et autres, rendez-vous sur la boutique en ligne THERMADOR® ou communiquez avec nous par téléphone.

États-Unis

<http://store.thermador.com/us>

Canada

- Si vous résidez dans les provinces de l'Atlantique, en Ontario ou au Québec, communiquer avec :

Marcone

1.800-287-1627

- Si vous résidez dans un territoire, au Manitoba, en Saskatchewan, en Alberta ou en Colombie-Britannique, communiquer avec :

Reliable Parts

800-663-6060



1901 MAIN STREET, SUITE 600 IRVINE, CA 92614 // 1-800-735-4328 // WWW.THERMADOR.COM
© 2018 BSH HOME APPLIANCES CORPORATION
9001353102 en-us, fr-ca 980822