

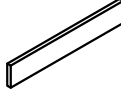


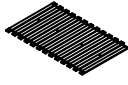



ASSEMBLY INSTRUCTION FOR ACME FURNITURE


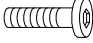

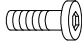





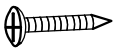

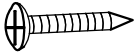


MODEL#BD00957Q

Thank you for purchasing the quality product. Be sure to check all packing material carefully for small parts which may have come loose inside the carton during shipment. Separate, identify and count all parts and metal hardware. Compare with all parts list to be sure all parts are present. If any part(s) are missing or damaged, please contact your local furniture dealer. For efficient and speedy service, please indicate the model number and code letter of part(s) needed.

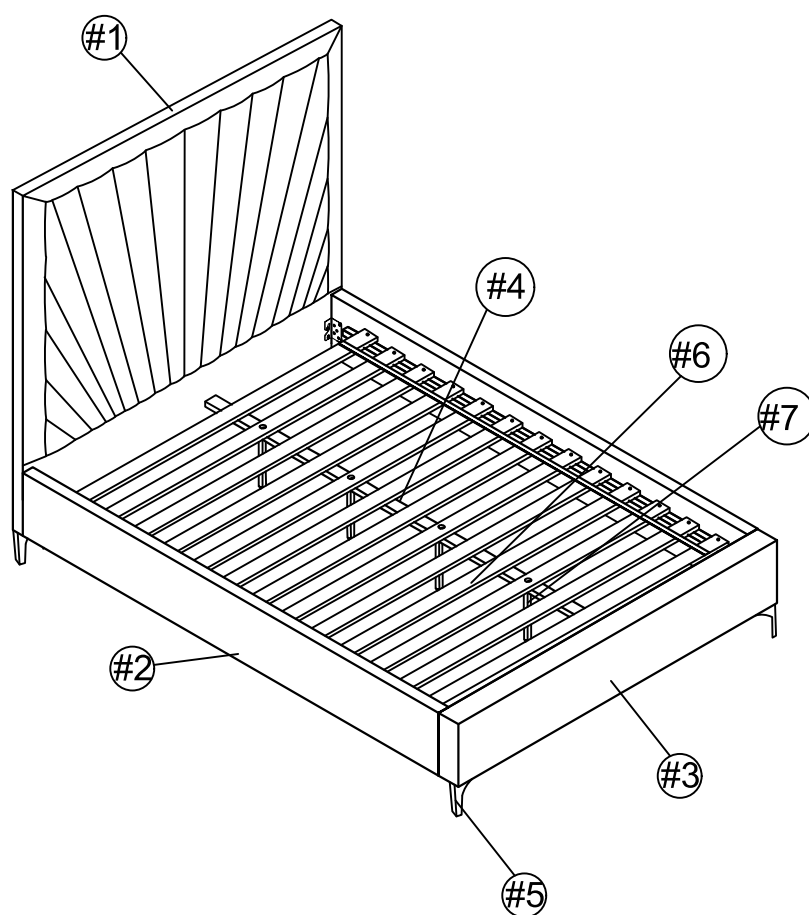
*** Do not fully tighten screws until fully assembled ***

COMPONENT PARTS			
DESCRIPTION	PART NAME		Q'TY(PCS)
①	Headboard		1
②	Side Rail		2
③	Foot Board		1
④	Support Rail		1
⑤	HB/FB Leg		4
⑥	Slat		13
⑦	Support Leg		4

HARDWARE REQUIRED

	Bolt Ø5/16" x 1-1/2"		8
	Bolt Ø5/16" x 1"		8
	Lock Washer Ø5/16"		16
	Flat Washer Ø5/16" x 19mm		16
	Screw #8 x 38mm		26
	Screw #10 x 25mm		16
	Allen Wrench 5mm		1

Exploded View

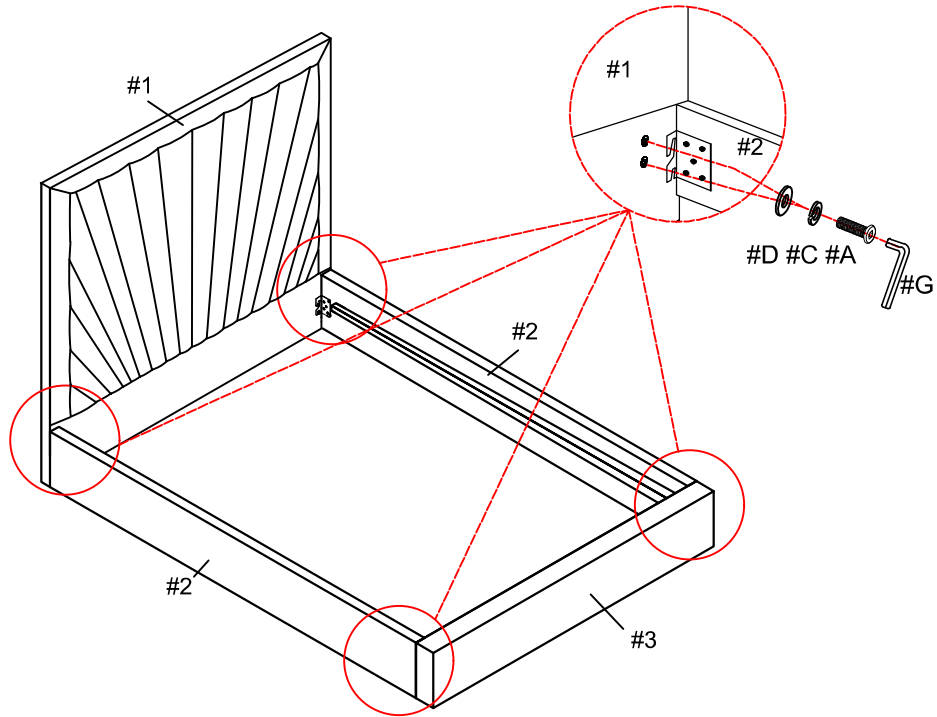


Attention

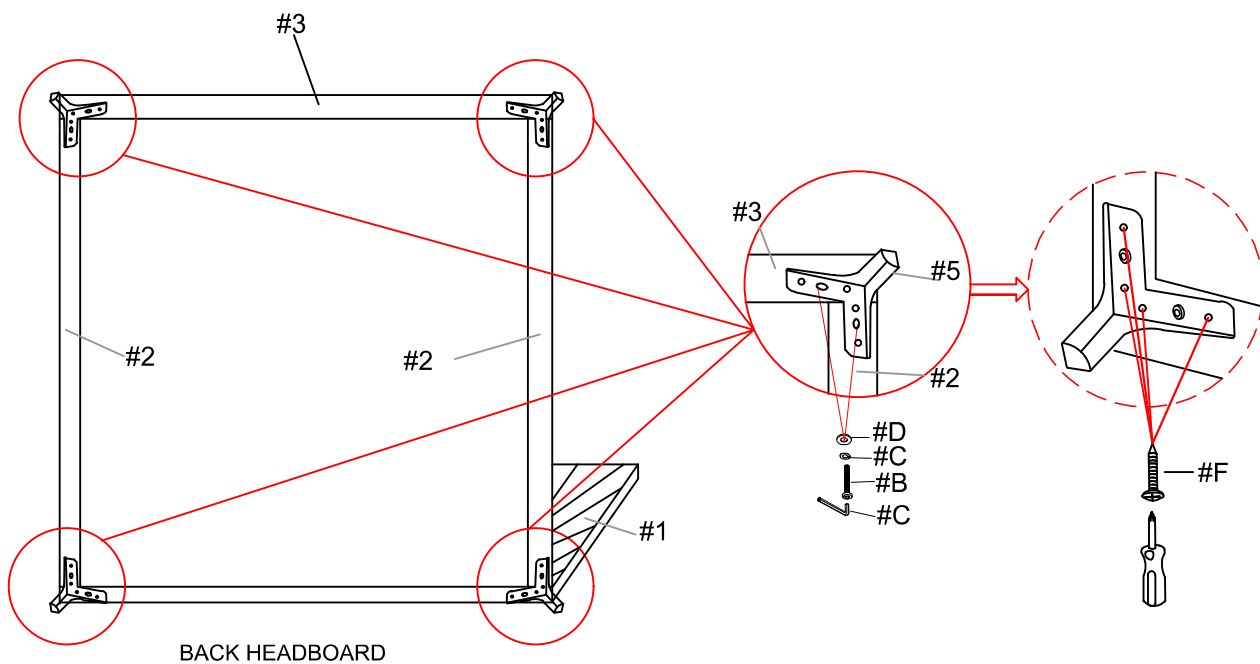
' Some number parts listed on the instruction sheet may not be in parts bag as they may already be assembled. Carefully check parts and packing materials prior to ordering replacements

How to assemble

STEP.1

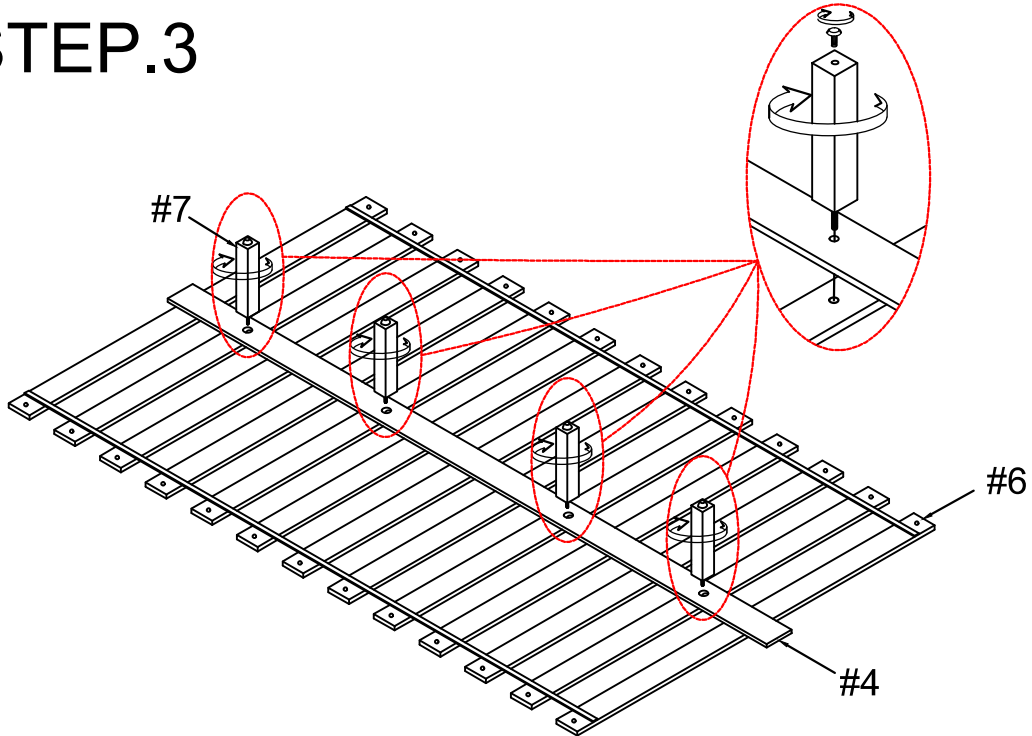


STEP.2



How to assemble

STEP.3



STEP.4

