





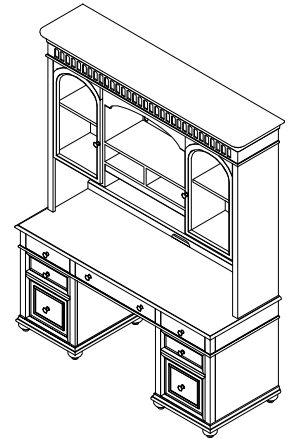


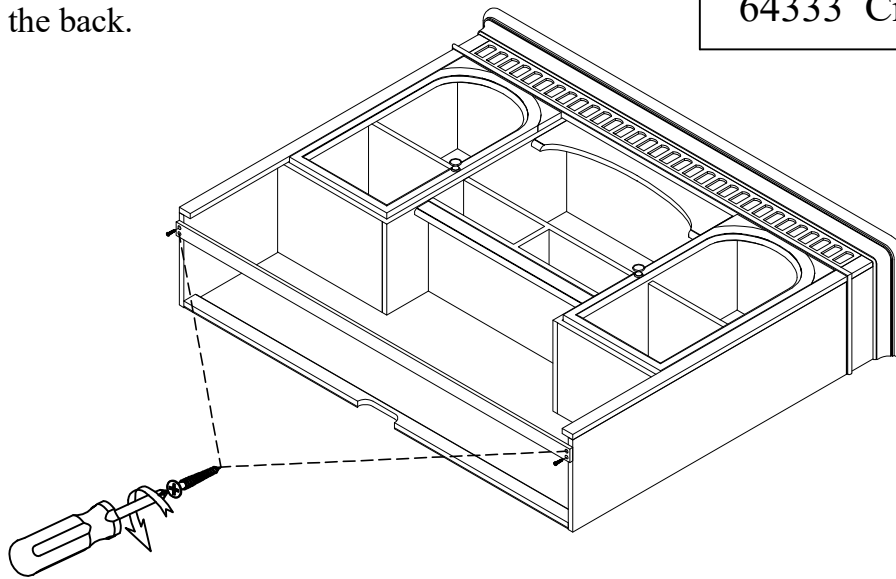
Components and Hardware List

Allen Head Bolt Ø1/4 x 3/4"  (A) 4 pcs.	Lock Washer Ø1/4 x Ø11  (B) 4 pcs.	Flat Washer Ø1/4 x Ø18  (C) 4 pcs.	Allen Key 4mm  (D) 1 pc.	Mending Plate  (E) 2 pcs.
Furniture Tipping Restraint Kit  (F) 2 pcs.		Be sure to check all packing material carefully for small parts, which may have come loose inside the carton during shipment. To prevent scratches or damage, assemble the desk on a soft surface such as a blanket or carpet.		

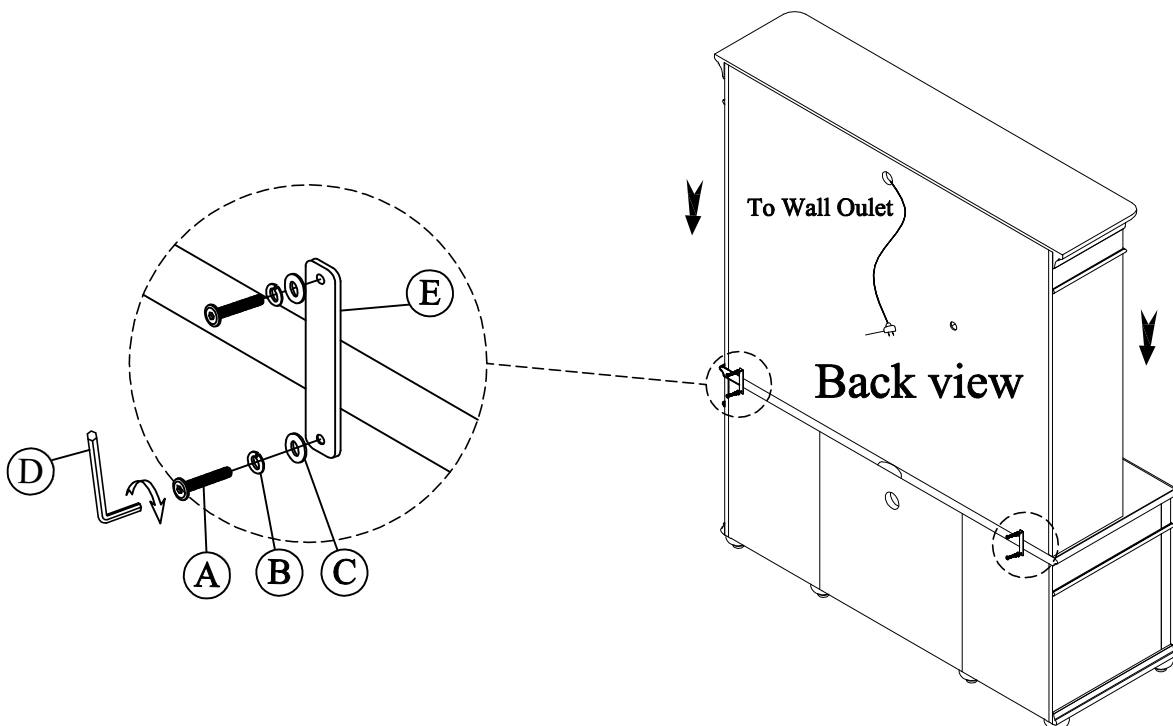


64336 Credenza Hutch
64333 Credenza

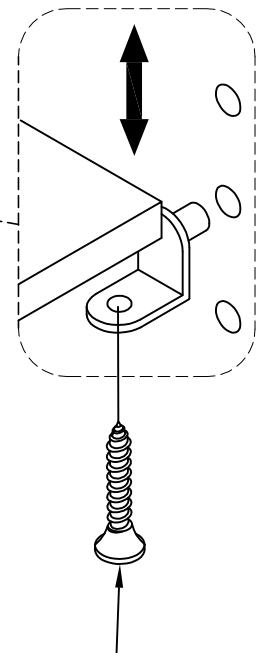
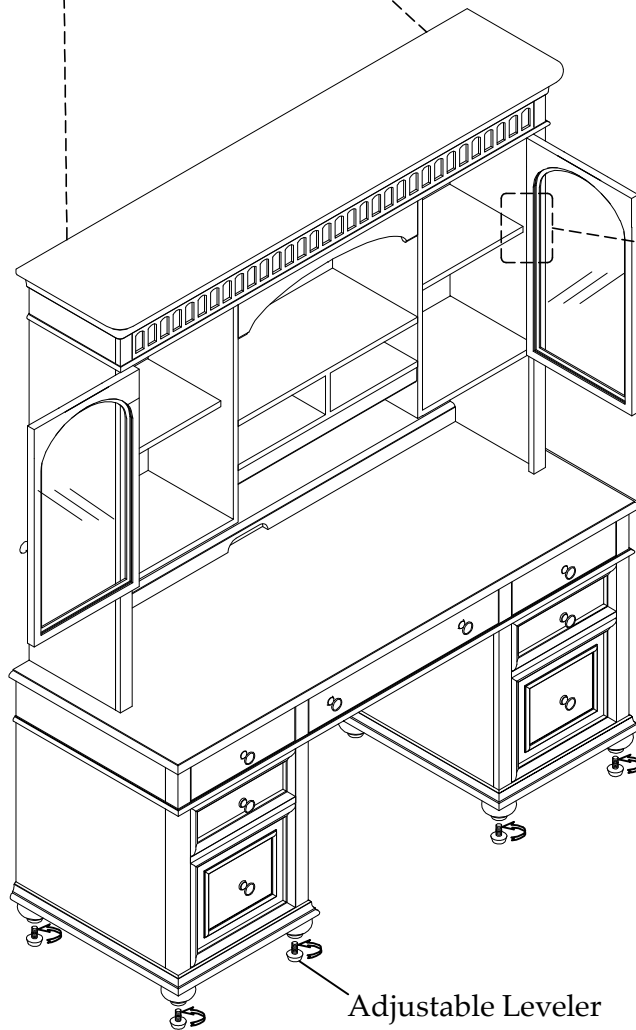
Step 1: Attach the Hutch to the Credenza using the mounting plates and bolts at the back.



Step 2 : Attach the Hutch to the Credenza using the mounting plates and bolts at the back.



Step 3



Remove the screws to
adjust the shelf height.

For product and personal safety, 2 Furniture Tipping Restraint kits have been included with this unit which can help to minimize the risk of the unit accidentally tipping forward, if used and properly installed per the kit manufacturer's instructions

The light in the top of the hutch is controlled by a touch switch connected to the top hinge of the right hand door.

The levelers in the bottom of the Bun Feet can be adjusted if necessary to compensate for uneven flooring