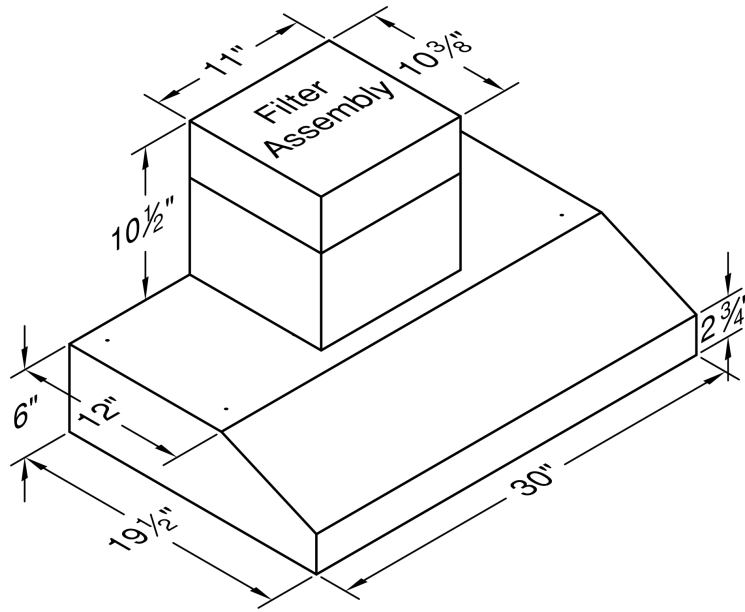


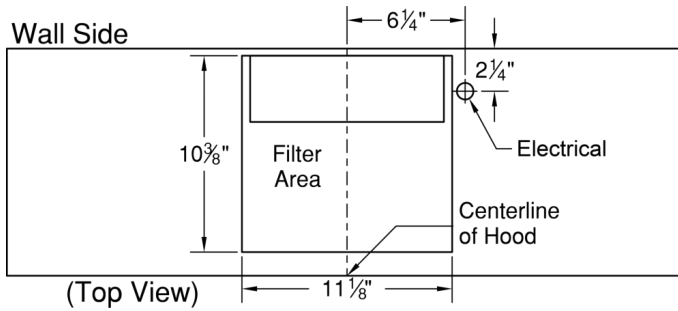
**Model Number: PRAH6-K30**

Special Notes: LED GU10 lighting. This model is not available with heat lamps. Available in Biscuit, Black, Gunsmoke, Stainless Steel, and White. Shown with ARSUC-12 kit (sold separately).

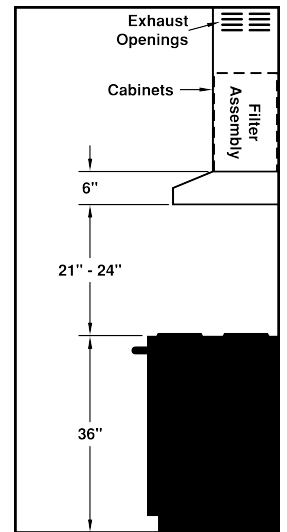
<b>WIDTH:</b>	30"
<b>DEPTH:</b>	19 1/2"
<b>HEIGHT:</b>	6"
<b>CFM:</b>	n/a
<b>SONES:</b>	n/a
<b>AMPS:</b>	3.5
<b># LIGHTS:</b>	2



**CONNECTION DIAGRAM**



**REC. MOUNTING HEIGHT\***



A minimum of 25 sq. in. of exhaust opening space per blower/filter assembly, located above the filter assembly outlet (top), is required for proper air recirculation.

Access to the filter assembly via access panel in the cabinet is required for routine filter maintenance.

\* Exceeding recommended mounting height may compromise performance.

**ELECTRICAL/MECHANICAL SPECIFICATIONS FOR BLOWER UNIT**

MODEL	VOLTS	AMPS+	HZ	RPM	CFM SP@0.0"	EQUIV CFM\$	CFM SP@0.1"	CFM SP@0.2"	CFM SP@0.3"	MIN. ROUND DUCT SIZE	SONES#
K250 (ARS)	115	3.5	60	1550	n/a	n/a	n/a	n/a	n/a	n/a	n/a

+ This model is equipped with LED GU10 lighting: (2 lights: 24" - 41", 3 lights: 42").