

ASSEMBLY INSTRUCTIONS

SYMMETRY COLLECTION

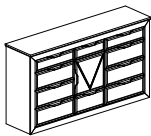
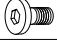
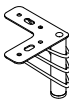




MODEL : B1826-050 SYMMETRY 10 DRAWER DRESSER
(1 Per Carton)

Thank you for purchasing this quality product. Be sure to check all packing materials carefully for small parts, which may have come loose inside the carton during shipment. Identify and count all items and compare with the parts list and/or hardware list shown below.

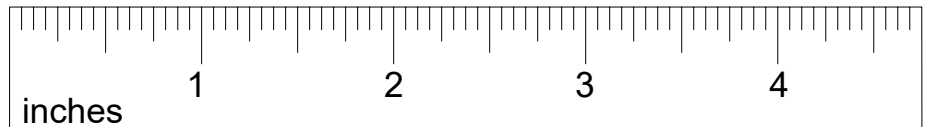
Please read all instructions carefully. See the hardware and furniture part listing for guidance. Be sure you have all parts listed before beginning assembly. Place all wooden parts on a clean, flat surface to protect the finish from scratches. Follow the diagram to assemble.

CAUTION

1. Do not fully tighten the nuts or bolts until the table is fully assembled.
2. Please tighten by hand, not by a drill. Overtightening will damage threads. Do not overtighten.
3. Keep all hardware out of the reach of children.

PARTS LIST				HARDWARE LIST			
ITEM	DESCRIPTION	SKETCH	QTY	ITEM	DESCRIPTION	SKETCH	QTY
A	DRESSER		1 PC	1	BOLT M6 x 1 5/8"		12 PCS
B	METAL LEG		4 PCS	2	FLAT WASHER M6 x 3/4"		8 PCS
C	CENTER SUPPORT LEG		1 PC	3	ALLEN KEY M4 x 2 3/8"		1 PC
				4	ANTI-TIPPING KIT		1 PC

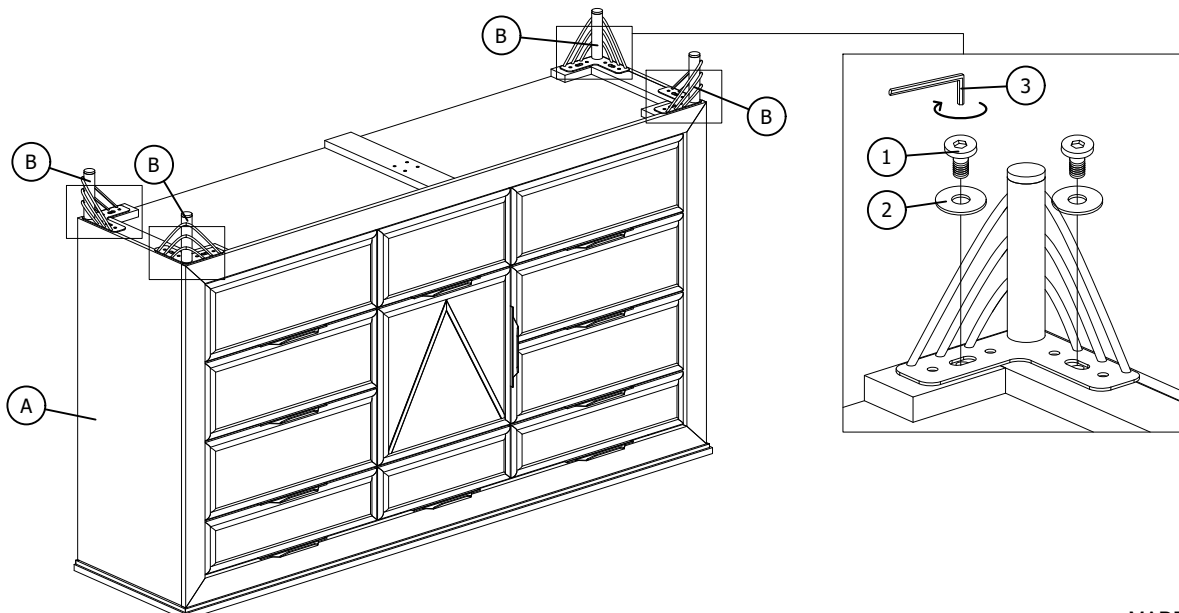
HARDWARE DIMENSIONS VERIFICATION TOOL



STEP 1: Place the Dresser (A) upside down on a soft and clean surface.

Assemble the Metal Legs (B) with the Chest (A) by using Allen Key (3) with hardware (1) and (2).

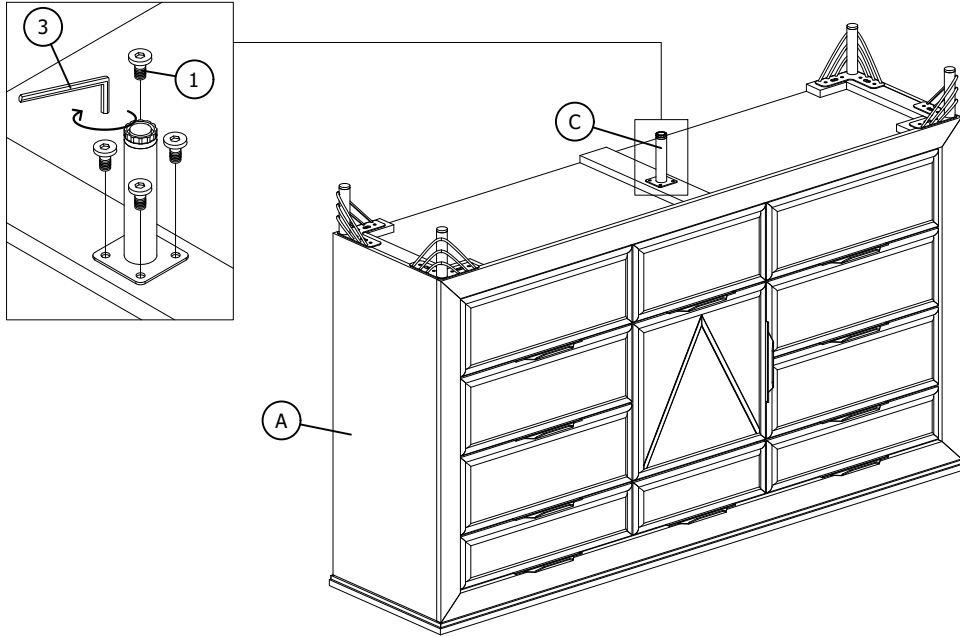
****Attention: DO NOT OVER TIGHTEN THE BOLTS.**



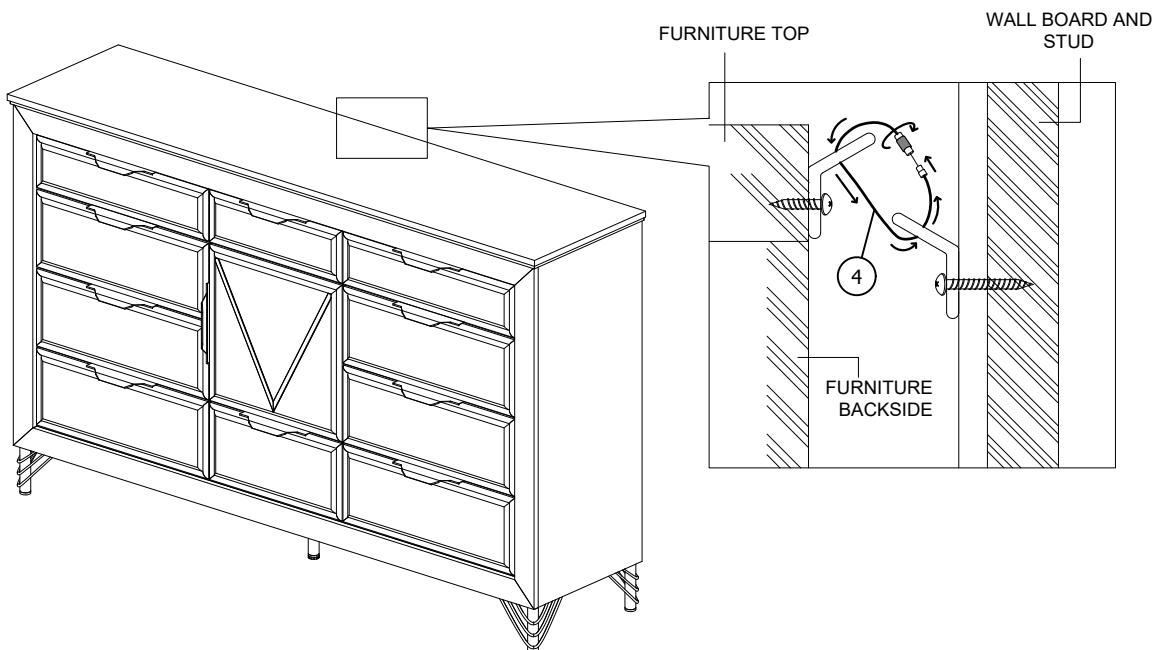
ASSEMBLY INSTRUCTIONS SYMMETRY COLLECTION

MODEL : B1826-050 SYMMETRY 10 DRAWER DRESSER
(1 Per Carton)

STEP 2: Assemble the Center Support Leg (C) by using Allen Key (3) with hardware (1).
**Attention: DO NOT OVER TIGHTEN THE BOLTS.



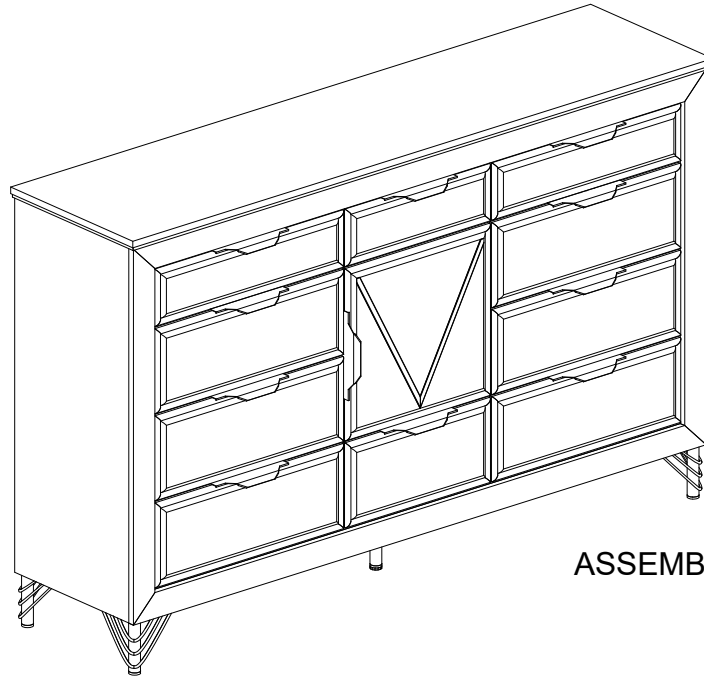
STEP 3: Follow the instructions from the Anti-Tipping Kit (4) to install the Anti-Tipping Restraint.



ASSEMBLY INSTRUCTIONS SYMMETRY COLLECTION

MODEL : B1826-050 SYMMETRY 10 DRAWER DRESSER
(1 Per Carton)

STEP 4: Complete.



ASSEMBLY COMPLETED