

KHC-022-203 Monty Dining Table

Kelly Hoppen

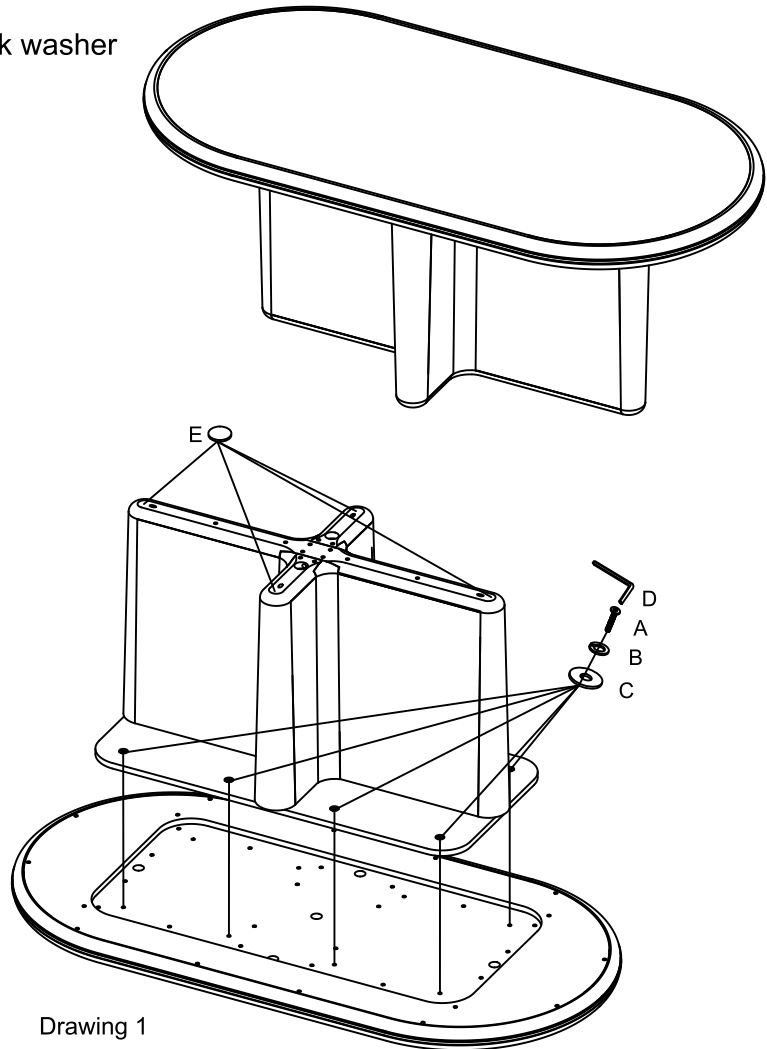
ASSEMBLY INSTRUCTIONS
TWO (2) PEOPLE REQUIRED

PLEASE UNPACK ALL PARTS AND CHECK AGAINST PARTS LIST ON THIS INSTRUCTION SHEET BEFORE DISCARDING PACKING AND CARTON!!

- 1) Attach the base with mounting plate assembly to the top panel using the bolt (A), lock washer (B), flat washer (C) tighten with wrench provided (D) as shown in Drawing 1
- 2) Turn the table to upright position.

*** NOTE KEEP THIS SHEET!!! ***

In the unlikely event that you would need a replacement part for your furniture, please contact your local authorized Caracole International dealer. If you need replacement hardware quickly, it could be purchased from your local hardware store.



Drawing 1

| KHC-022-203T | | |
|--------------------------|-------------------|-----|
| Monty Dining Table Top | | |
| Part Description | Part No. | QTY |
| Top / Apron Assembly (1) | KHC-022-203T | 1 |
| RTA Hardware | KHC-022-203T-4001 | 1 |

| KHC-022-203B | | |
|-------------------------|-------------------|-----|
| Monty Dining Table Base | | |
| Part Description | Part No. | QTY |
| Table Bases (2) | KHC-022-203B | 1 |
| Felt Dot | KHC-022-203-40169 | 6 |

| NO. | Hardware List | | | Q'ty |
|-----|---|-------------|---------------|------|
| A |  | Bolt | 5/16"X 1-1/4" | 8 |
| B |  | Lock Washer | 5/16" | 8 |
| C |  | Flat Washer | 5/16" | 8 |
| D |  | Wrench | 5/16" | 1 |
| E |  | Felt Dot | | 6 |