


ASSEMBLY INSTRUCTION

ITEM: SS404-PH1-080

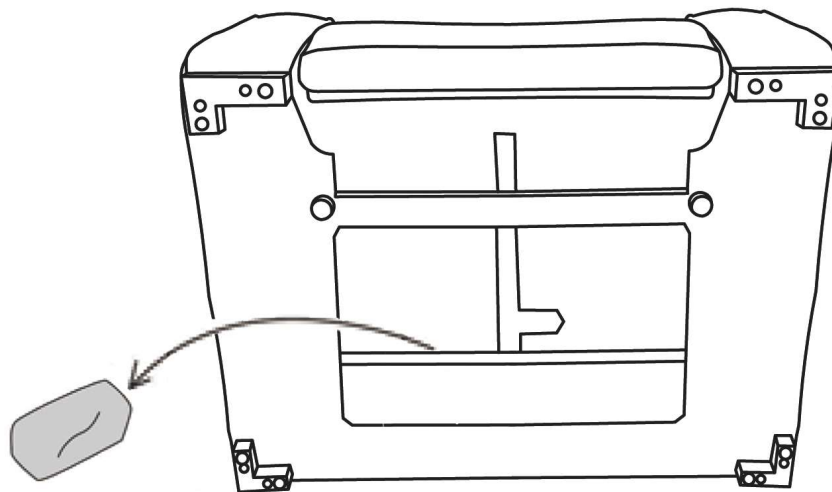
Fresco Power Recliner w/PWR Headrest

Thank you for purchasing this quality product. Be sure to unpack carefully looking for small parts which may have come loose during shipment.

Read all instruction and study the drawing carefully before starting the assembly process .

	Description	Sketch	Quantity
A	Wall plug transformer		"PH1" has one

Step 1 :Please put the sofa upside down,find the wall plug transformer,which strapped on the mechanism.



CAUTION

Do not allow children to play on this mechanism furniture or operate the mechanism. Leg rest folds down on closing so that child could possibly be injured. Always leave in an upright and closed position and keep hands feet clear of mechanism. Only the occupant should operate it.

ASSEMBLY INSTRUCTION

ITEM: SS404-PH1-080

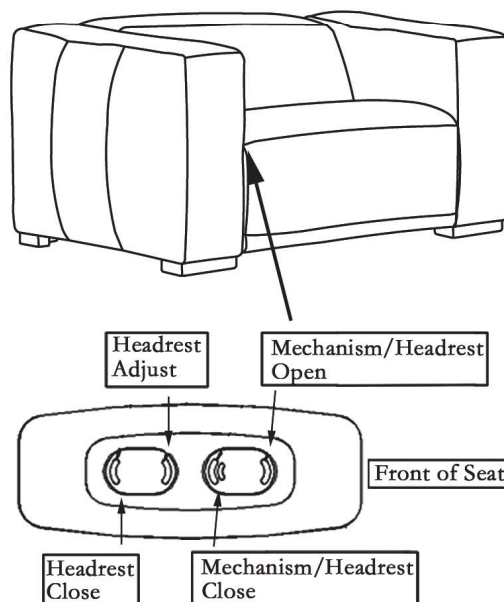
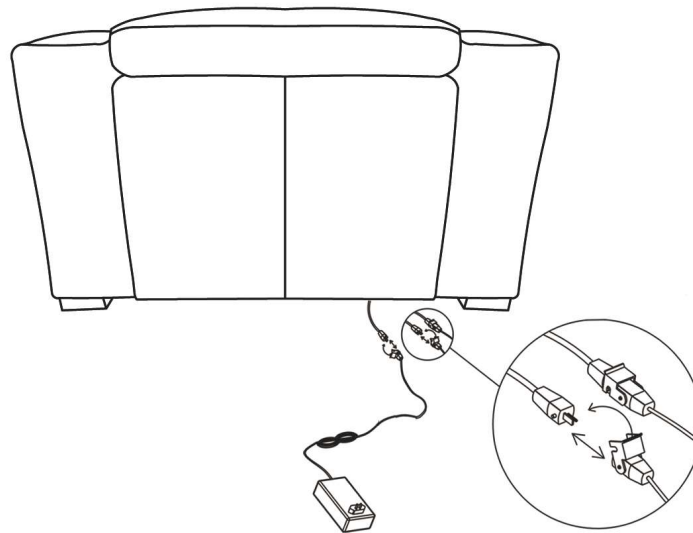
Fresco Power Recliner w/PWR Headrest

Thank you for purchasing this quality product. Be sure to unpack carefully looking for small parts which may have come loose during shipment.

Read all instruction and study the drawing carefully before starting the assembly process .

Step 2: Attaching the power source. Attach the wall plug transformer to the matching leadwire found at the bottom rear of the left arm facing. Be sure to close the clip lock to prevent the connection from coming loose during use.

Step 3: Only after positioning your product in the area of its intended use should you plug your transformer into a grounded electrical outlet.



CAUTION

Do not allow children to play on this mechanism furniture or operate the mechanism. Leg rest folds down on closing so that child could possibly be injured. Always leave in an upright and closed position and keep hands feet clear of mechanism. Only the occupant should operate it.