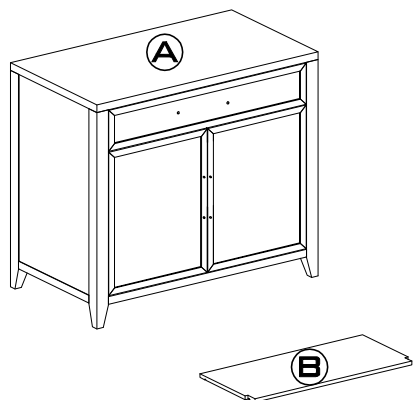


ASSEMBLY INSTRUCTIONS

HOLLAND MEDIA CHEST



PARTS CHECK LIST

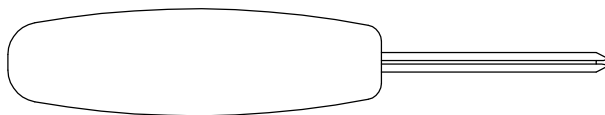
CODE	COMPONENTS	QTY
(A)	BODY	X01
(B)	SHELF	X01

HARDWARE CHECK LIST

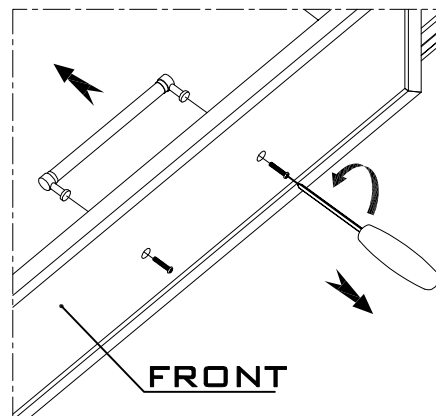
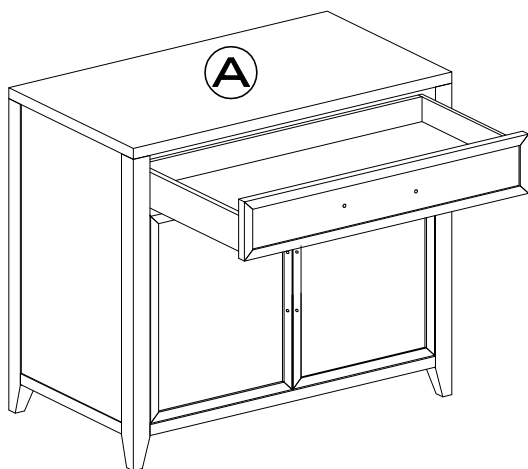
CODE	DESCRIPTION	QTY
[01]	SHELF PIN 	X04

- PLEASE DO NOT DISCARD ANY OF THE PACKAGING UNTIL YOU HAVE CHECKED ALL THE PARTS AND THE PACKS OF HARDWARE.
- BEFORE YOU BEGIN TO ASSEMBLE YOUR NEW PIECE OF FURNITURE, PLEASE CHECK TO ENSURE THAT ALL PARTS HAVE BEEN SUPPLIED.
- FOLLOW INSTRUCTIONS CLOSELY AS DEVIATION FROM THEM MAY VOID YOUR WARRANTY AND PRESENT A POSSIBLE SAFETY RISK.
- IT IS RECOMMENDED THAT ASSEMBLY IS DONE ON A SOFT SURFACE LIKE CARPET TO AVOID ANY DAMAGE.
- PERIODICALLY CHECK AND RE-TIGHTEN ANY FASTENERS. WIPE DOWN ALL SURFACES WEEKLY WITH A CLEAN CLOTH. DO NOT CLEAN ANY SURFACES WITH HARSH ABRASIVES OR CHEMICALS.

PHILLIPS HEAD SCREWDRIVER TOOL NEEDED (NOT INCLUDED)

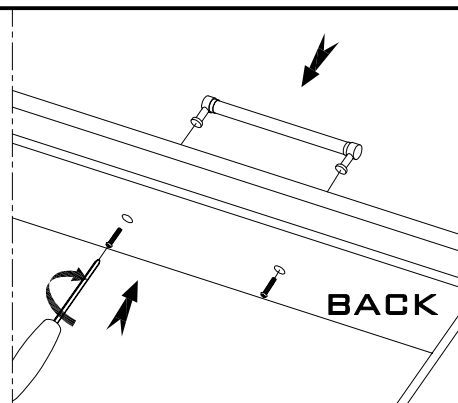
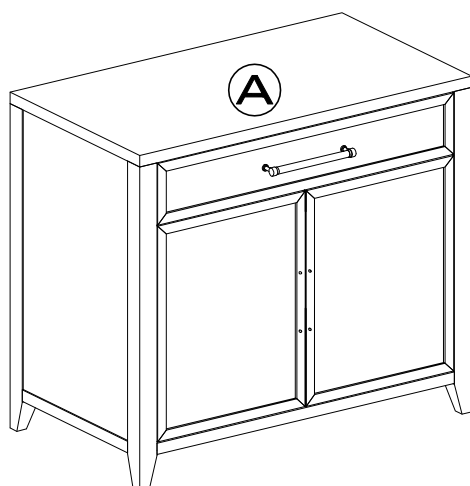


1.

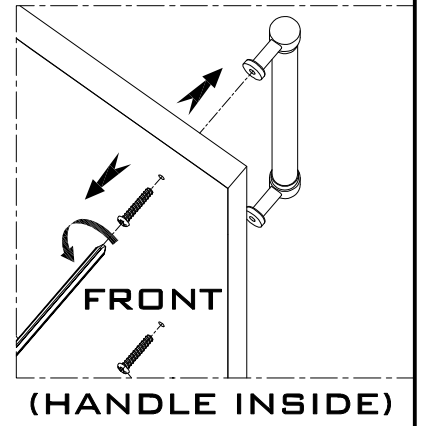
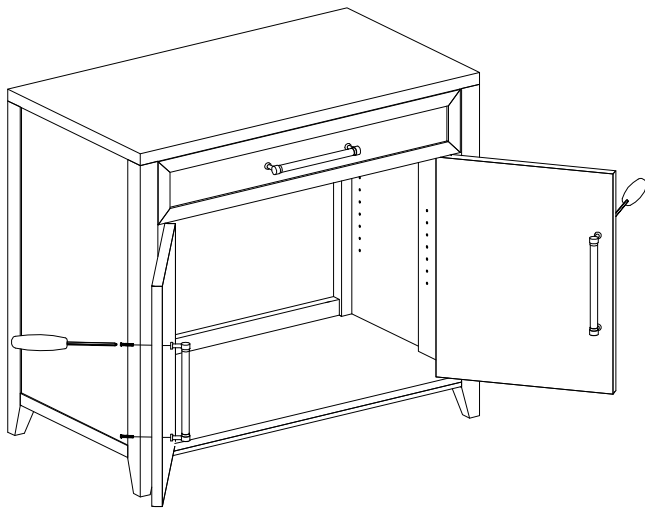


(HANDLE INSIDE)

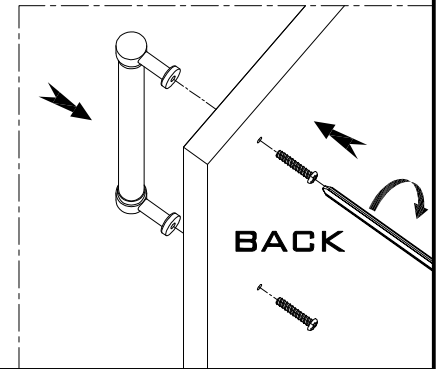
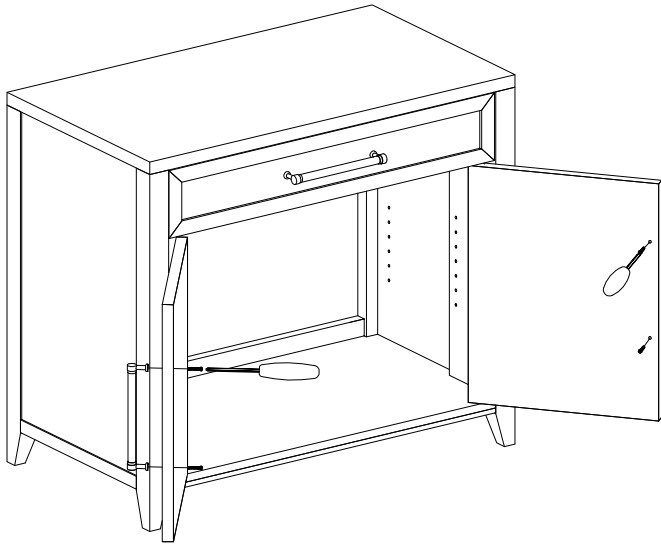
2.



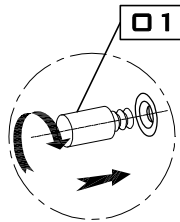
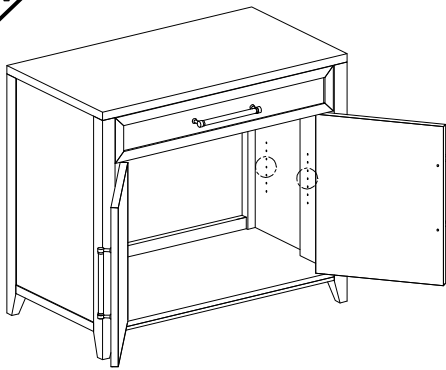
3.



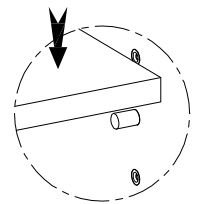
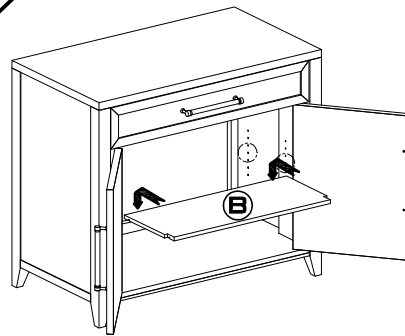
4.



5.



6.



7.

