

XO SINK PRO NANOGRIND

WASTE DISPOSALS

NEW
COMPACT
DESIGN



CATEGORY:
3 BOLT - Continuous Feed

XOD1PRO

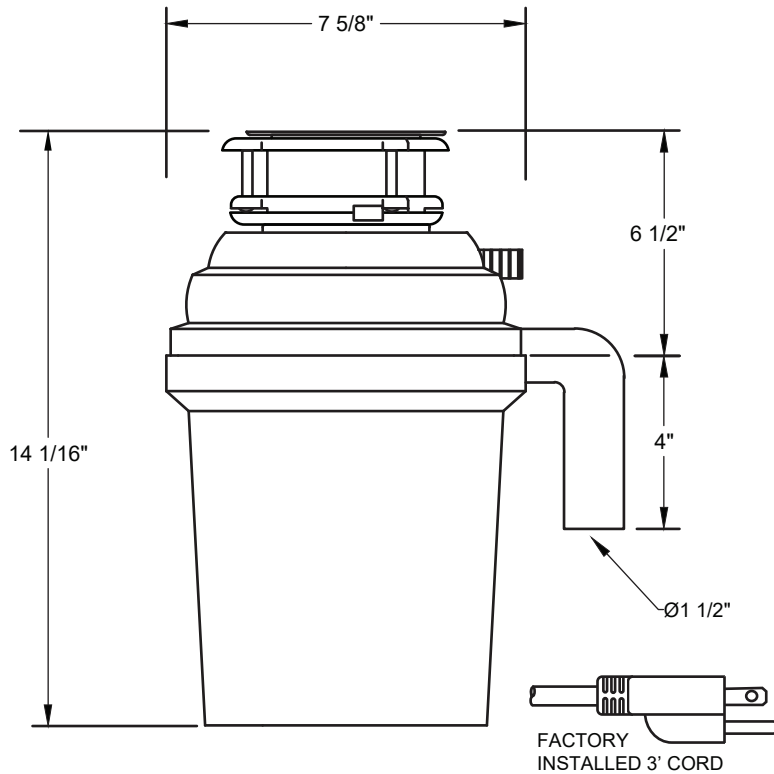
The XOD1PRO features a 3 Bolt mounting design that adapts to other similar mount models and a compact profile that is ideal for tight installations like farm sinks. But the XOD1PRO packs all the power of the NANOGRIND family of disposers with a high speed/high torque motor, jam resistant design and Stainless Steel grinding components backed by an unmatched warranty.

www.xoappliance.com

MODEL: XOD1PRO

OVERALL			ROUGH IN/CUT OUT		
7 5/8"	14 1/16"	7 5/8"			
W	H	D	W	H	D

CATEGORY: Continuous Feed **3 BOLT MOUNT**



The XOD1PRO has a compact design ideal for tight spaces such as underneath farm sinks.

Continuous Feed models require an on/off switch sold separately see: XODAIRSWITCH



Limited warranty see website for details




For 90 days, all our products are backed by our unique Love It or Leave It Guarantee

PRODUCT HIGHLIGHTS

- High Speed / High Torque PM Motor resists jamming
- Stainless Steel grinding components prevents corrosion
- Premium sound insulation for quiet operation
- Septic Safe / Fine Grind
- Adapts to existing 3 bolt hardware
- Easy to Install - no wiring required

SPECIFICATIONS

- 1 HP Continuous Feed Disposal
- 3' Long 3 Prong Power Cord
- Manual reset thermal overload protection
- 120 V / 60 Hz - 6.3 amps
-  All XO Disposals are UL Listed

POPULAR OPTIONS

XODAIRSWITCH: remote air operated ON/OFF switch

XO the next level in luxury appliances
www.xoappliance.com

XO is exclusively distributed through
EASTERN MARKETING CORP.
24 Eisenhower Parkway, Roseland, NJ 07068
p. 973. 403.8900