

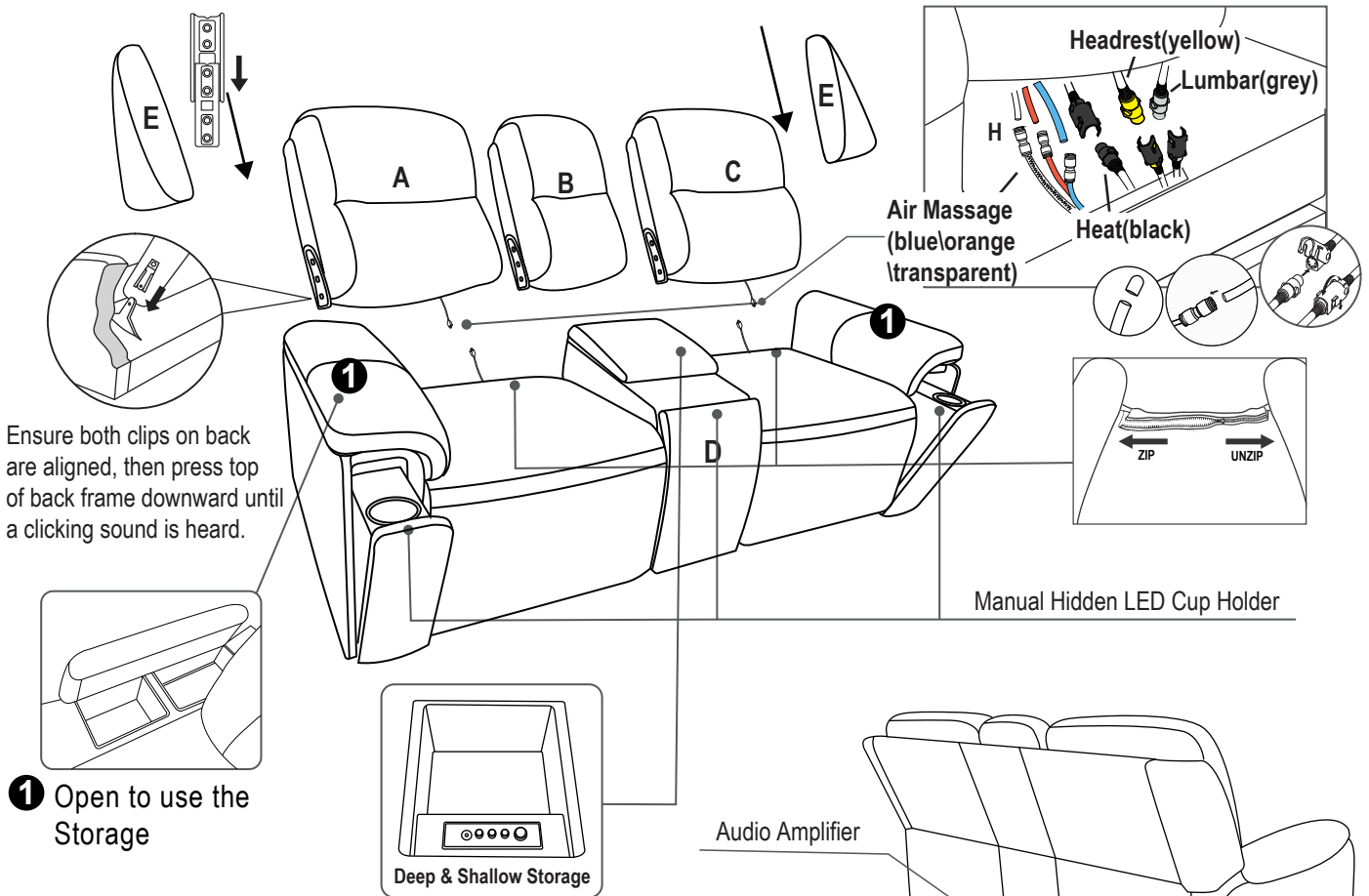
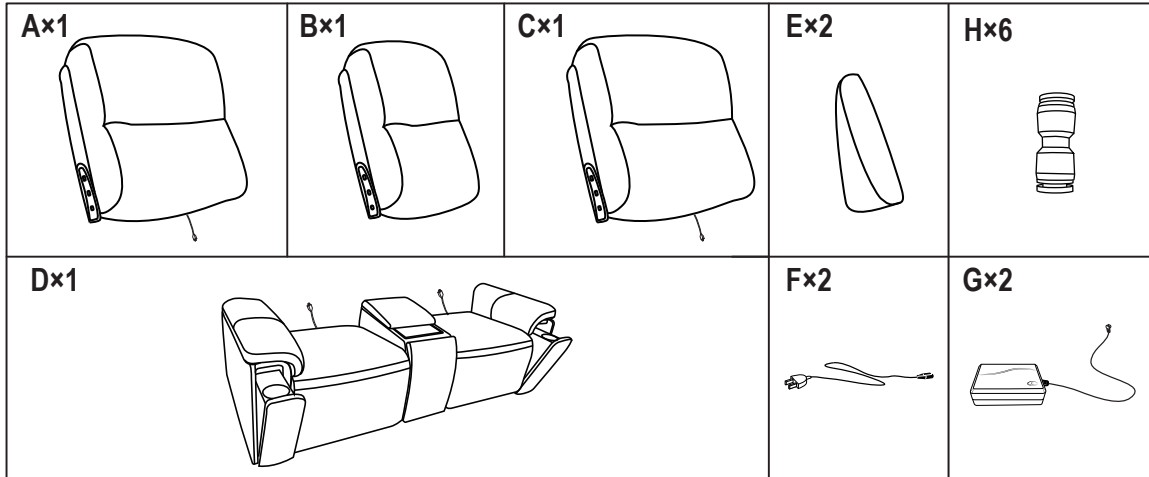
MOTOMOTION Assembly Instructions—Console Loveseat

FASHION. FORWARD. FURNITURE.

Thank you for purchasing this quality product. Be sure to check all packing materials carefully for small parts that may have come loose inside the carton during shipment.

Inside the carton you will find two plastic bags that have the console loveseat's wings in it. Remove the wings from the plastic bags and set them aside to be used in assembly and installation.

Make sure to read the instructions below before assembling your Console Loveseat.

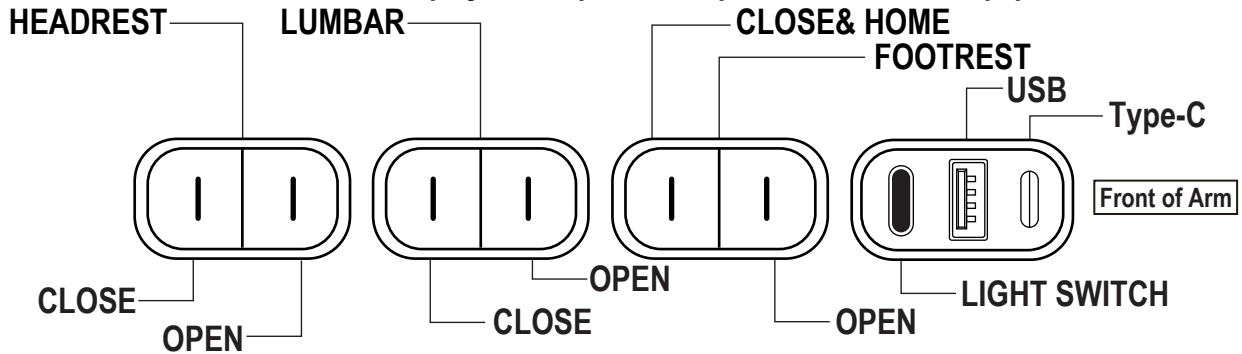


Do Not plug the power cord into a power outlet until your furniture is fully assembled and in placed.

Notes:

- 1) To help prevent shock and or damage to your product only plug the power cord into a grounded outlet.
- 2) Read the operating instructions carefully before operating your furniture.

**Caution: Read the important instructions below before operating your power mechanized equipment
Do not allow children to play on or operate this power mechanized equipment**



Care should always be taken to assure there is nothing in the path of the mechanism before and during operation.

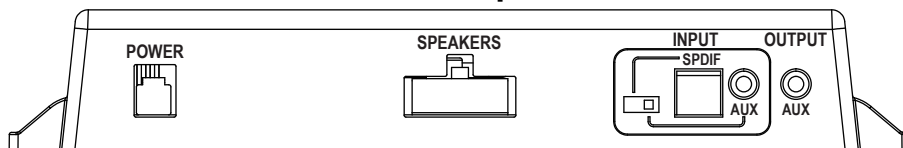
To Recline: Sit on the furniture, and press the front of the button closest to the footrest to smoothly raise the footrest and recline to any position, the headrest and lumbar support will be raised when recline the backrest. To lower the footrest and return to an upright position, press the back side of the button closest to the footrest.

To adjust headrest: Press the front of the button closest to the backrest to smoothly raise and adjust the headrest to any position. To lower the headrest and return it to its original position, press the back side of the button closest to the backrest.

To adjust lumbar support: Press the front of the center button to smoothly raise and adjust the lumbar support to any position. To lower the lumbar support and return it to its original position, press the back side of the center button.

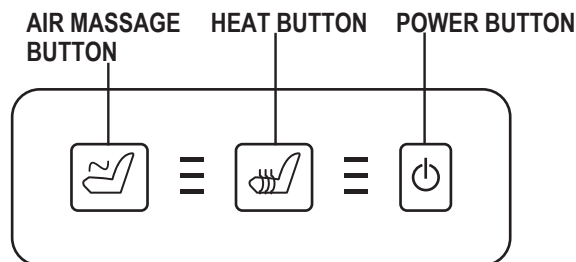
To close all: To simultaneously return the headrest, footrest, and lumbar support to their original positions, press and hold the back side of the button closest to the footrest.

Audio Amplifier



This is located underneath the console of the loveseat. AUX input, AUX output, and S/PDIF are located on the Audio Amplifier. You can connect multiple devices by using a 3.5mm AUX cable connecting the AUX input to the audio source and then connecting another 3.5mm AUX cable from AUX output to the AUX input of the next Audio Amplifier. 3.5mm AUX cable sold separately.

Your chair is equipped with easily accessible side controls for air bladder massage and heat.



POWER BUTTON

Press the power button to turn the armrest control features on and off.

HEAT BUTTON

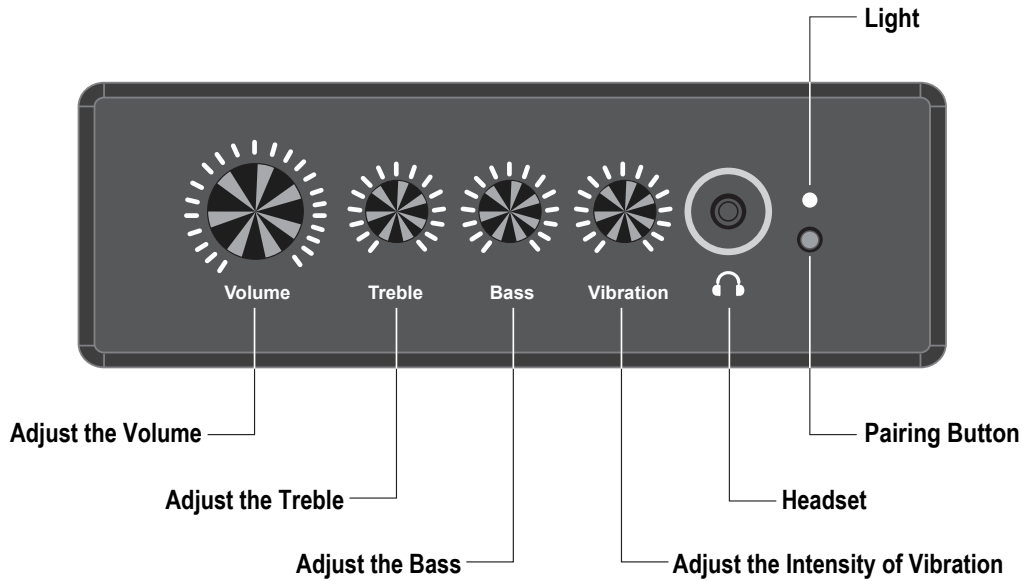
Press the heat button to activate the heat function. Press again to cycle intensity through low, medium, and high heat.

AIR MESSAGE BUTTON

Press the air massage button to activate the gentle pressure massage function. Press again to cycle through low, medium, and high intensity.

**Caution: Read the important instructions below before operating your power mechanized equipment
Do not allow children to play on or operate this power mechanized equipment**

Audio Control Panel



How to Connect Wireless

Press and hold the pairing button, the LEDs on the memory buttons will flash to indicate that the control is in “pair” mode. Switch on the pairing function on your device.



WARNINGS & CAUTIONS

- To avoid injury, use care when assembling.
- Use on level surface.
- Adult supervision when used by children.
- Exceeding this weight may damage product and cause potential injury.
- For indoor use only.
- To avoid any risk of suffocation to children or pets, dispose of all plastic bags immediately.
- To ensure proper performance, occasionally check for loose screws and tighten as needed.

FCC INSTRUCTION

CAUTION: Changes or modifications not expressly approved by the party responsible for compliance could void the user’s authority to operate the equipment.

NOTE: This equipment has been tested and found to comply with the limits for a Class B digital device, pursuant to Part 15 of the FCC Rules. These limits are designed to provide reasonable protection against harmful interference in a residential installation. This equipment generates, uses, and can radiate radio frequency energy and, if not installed and used in accordance with the instructions, may cause harmful interference to radio communications. However, there is no guarantee that interference will not occur in a particular installation. If this equipment does cause harmful interference to radio or television reception, which can be determined by turning the equipment off and on, the user is encouraged to try to correct the interference by one more of the following measures:

- Reorient or relocate the receiving antenna.
- Increase the distance between the equipment and receiver.
- Connect the equipment into an outlet on a circuit different from that to which the receiver is connected.
- Consult the dealer or an experienced radio/TV technician for help.

MOTO **MOTION**

FASHION. FORWARD. FURNITURE.

Customer Service

If you have any questions regarding the use of this unit, or find that your unit need service, please contact your retailer